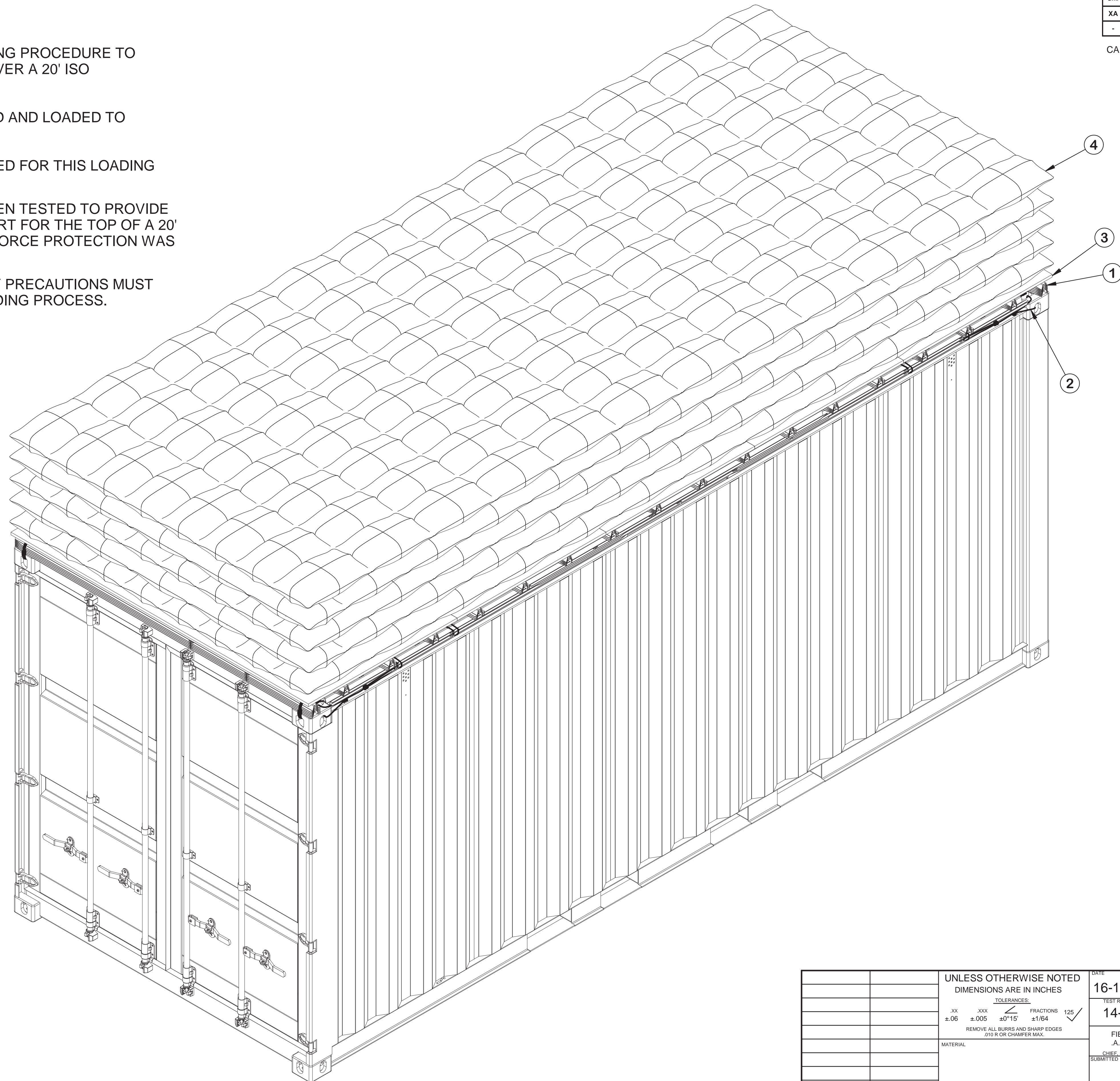


NOTES:

1. THIS DRAWING DETAILS A LOADING PROCEDURE TO SUPPORT 24,200 LBS OF SAND OVER A 20' ISO CONTAINER.
2. ALL BAGS ARE FILLED WITH SAND AND LOADED TO A MAXIMUM WEIGHT OF 50 LBS.
3. NO SPECIAL TOOLS ARE REQUIRED FOR THIS LOADING PROCESS.
4. THIS LOADING PROCESS HAS BEEN TESTED TO PROVIDE ADEQUATE STRUCTURAL SUPPORT FOR THE TOP OF A 20' ISO CONTAINER. TESTING FOR FORCE PROTECTION WAS NOT ADDRESSED.
5. INSTALLATION SOPs AND SAFETY PRECAUTIONS MUST BE FOLLOWED DURING THE LOADING PROCESS.



REVISION		APPROVED		
LTR.	DESCRIPTION	ENG.	BY	DATE
XA	INITIAL RELEASE FOR THEATER USE	SH	FIEFFER	16-06-23
-	PRODUCT BASELINE	SH	FIEFFER	16-11-02

CAD MAINTAINED. CHANGES SHALL BE INCORPORATED BY THE DESIGN ACTIVITY.

PARTS LIST			
FIND NO.	QTY	NOMENCLATURE	NSN
1	70	Fence Post	5660-00-262-9914
2	100'	1/4" Diameter Rope	
2	5	3/4" C-D Exterior Plywood	
3	484	Sand Bags	8105-00-285-4744

DISTRIBUTION STATEMENT A.
APPROVED FOR PUBLIC RELEASE;
DISTRIBUTION IS UNLIMITED.

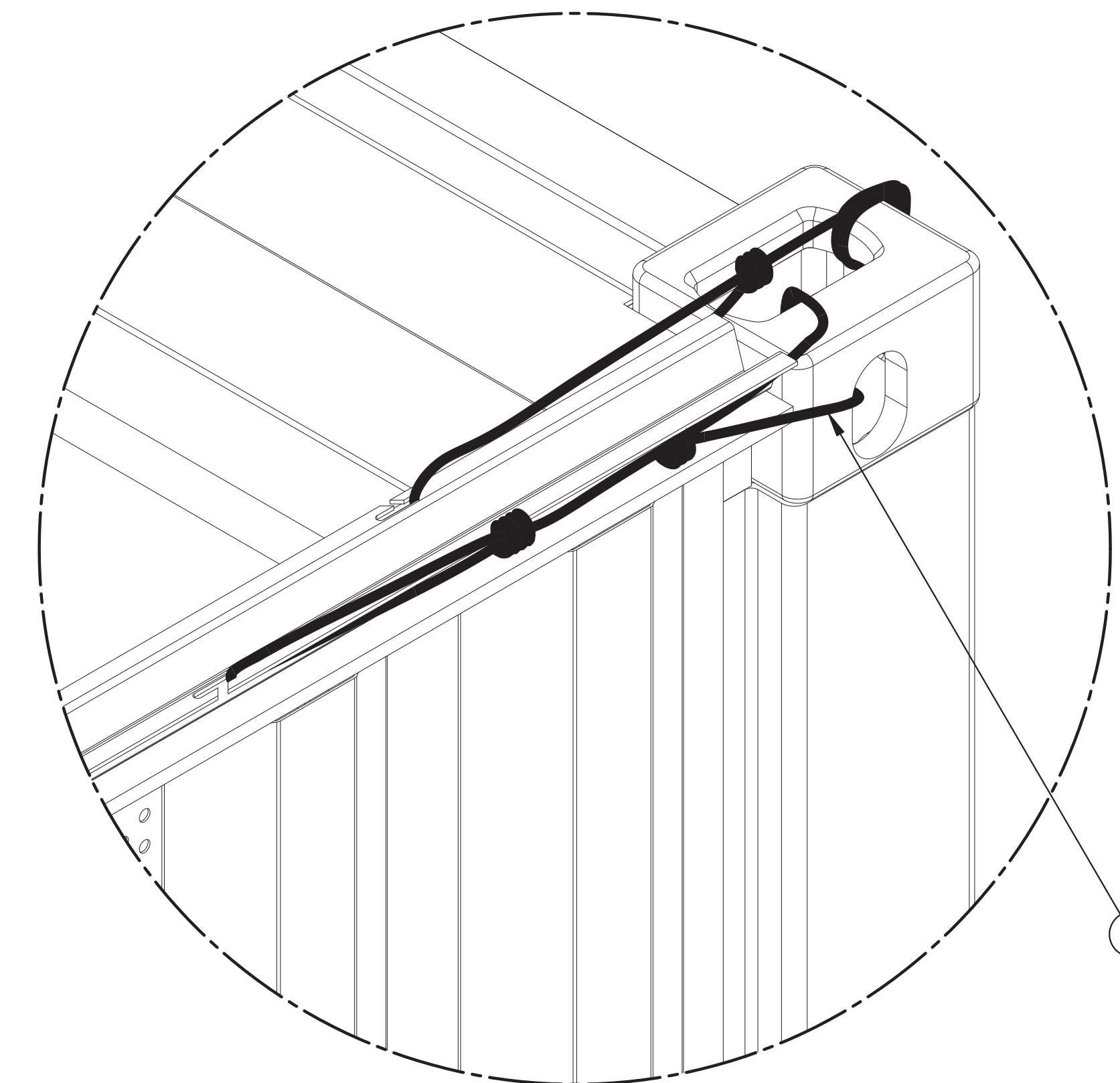
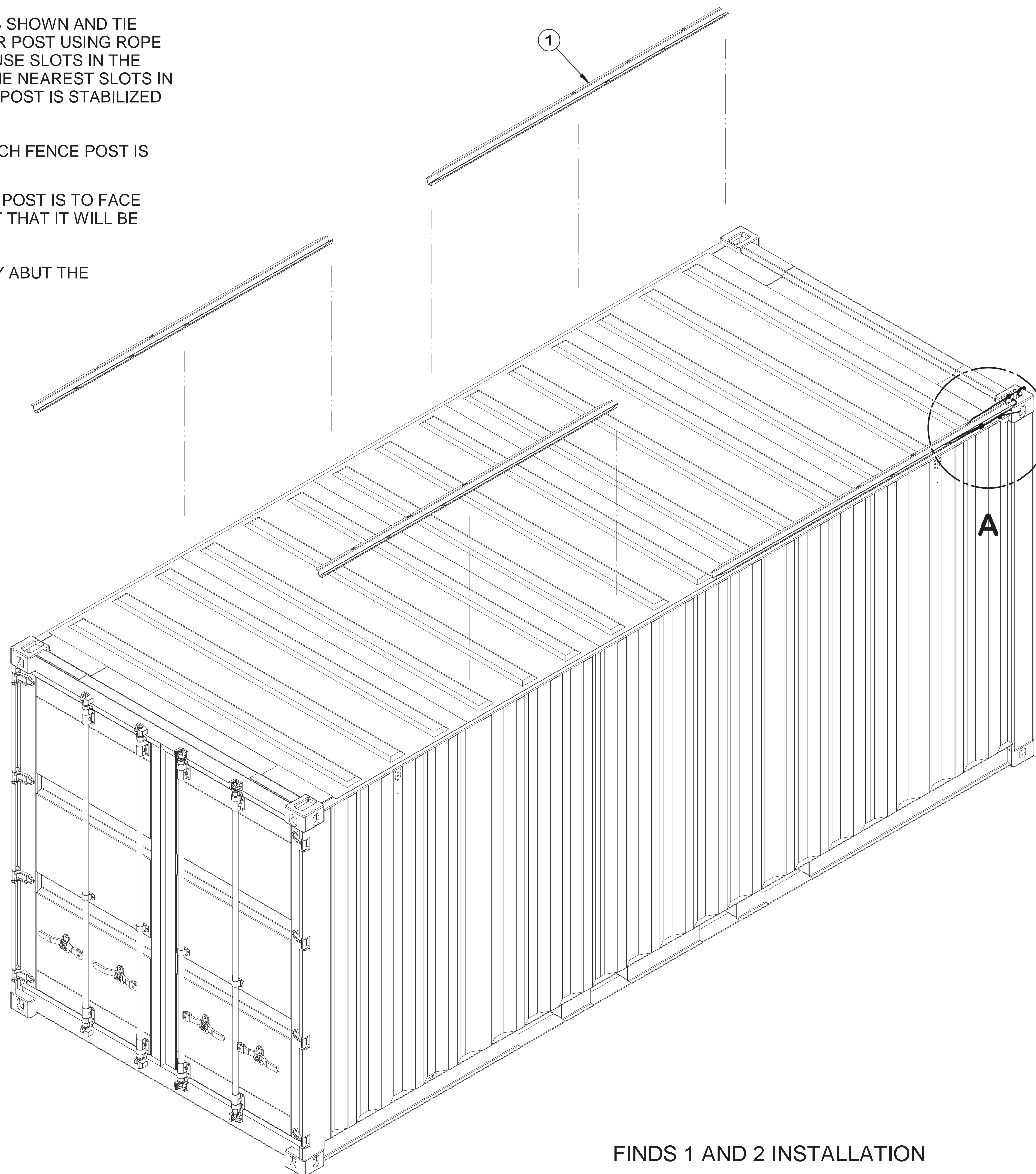
UNLESS OTHERWISE NOTED DIMENSIONS ARE IN INCHES		DATE 16-11-02	PROJECT ENGINEER HOVEY SPENCE R.W.1398183939	DESIGN ACTIVITY U.S. ARMY COMBINED ARMS SUPPORT COMMAND DEFENSE AMMUNITION CENTER (DAC) MCALESTER, OKLAHOMA 74501-9053
TOLERANCES: XX .XXX ±.06 ±.005 ±0"15' FRACTIONS 1/25 REMOVE ALL BURRS AND SHARP EDGES 010 R OR CHAMFER MAX.		TEST REPORT 14-06	TEST ENGINEER FELICIANO AD IN.1259200373	OVERHEAD PROTECTION FOR ISO CONTAINERS
MATERIAL		SUBMITTED BY TIRONE JOSEPH.A NDREW.1026683749		
NEXT ASSEMBLY USED ON		APPROVED BY ORDER OF COMMANDING GENERAL, U.S. ARMY MATERIAL COMMAND SHIMP.UPTON .R.1231257183		SIZE D 28620
APPLICATION		DEFENSE AMMUNITION CENTER		DRAWING No. ACV00846
				SCALE 2/25
				UNIT WT
				SHEET 1 OF 10

REVISION			APPROVED		
LTR.	DESCRIPTION	ENG.	BY	DATE	
XA	INITIAL RELEASE FOR THEATER USE	SH	FIEFFER	16-06-23	
-	PRODUCT BASELINE	SH	FIEFFER	16-11-02	

CAD MAINTAINED. CHANGES SHALL BE INCORPORATED BY THE DESIGN ACTIVITY.

NOTES:

1. LAY FOUR FENCE POSTS (FIND 1) AS SHOWN AND TIE EACH TO THE NEAREST ISO CORNER POST USING ROPE (FIND 2). WHEN TYING EACH POST, USE SLOTS IN THE NEAREST ISO CORNER POST AND THE NEAREST SLOTS IN THE FENCE POST AS NEEDED UNTIL POST IS STABILIZED NEXT TO CORNER POST.
2. THE NON-SLOTTED SURFACE OF EACH FENCE POST IS TO REST ON THE ISO ROOF.
3. THE TAPERED END OF EACH FENCE POST IS TO FACE AWAY FROM THE ISO CORNER POST THAT IT WILL BE TIED TO.
4. PLACE THE POSTS SUCH THAT THEY ABUT THE CORRUGATION ON THE ISO ROOF.



DETAIL A

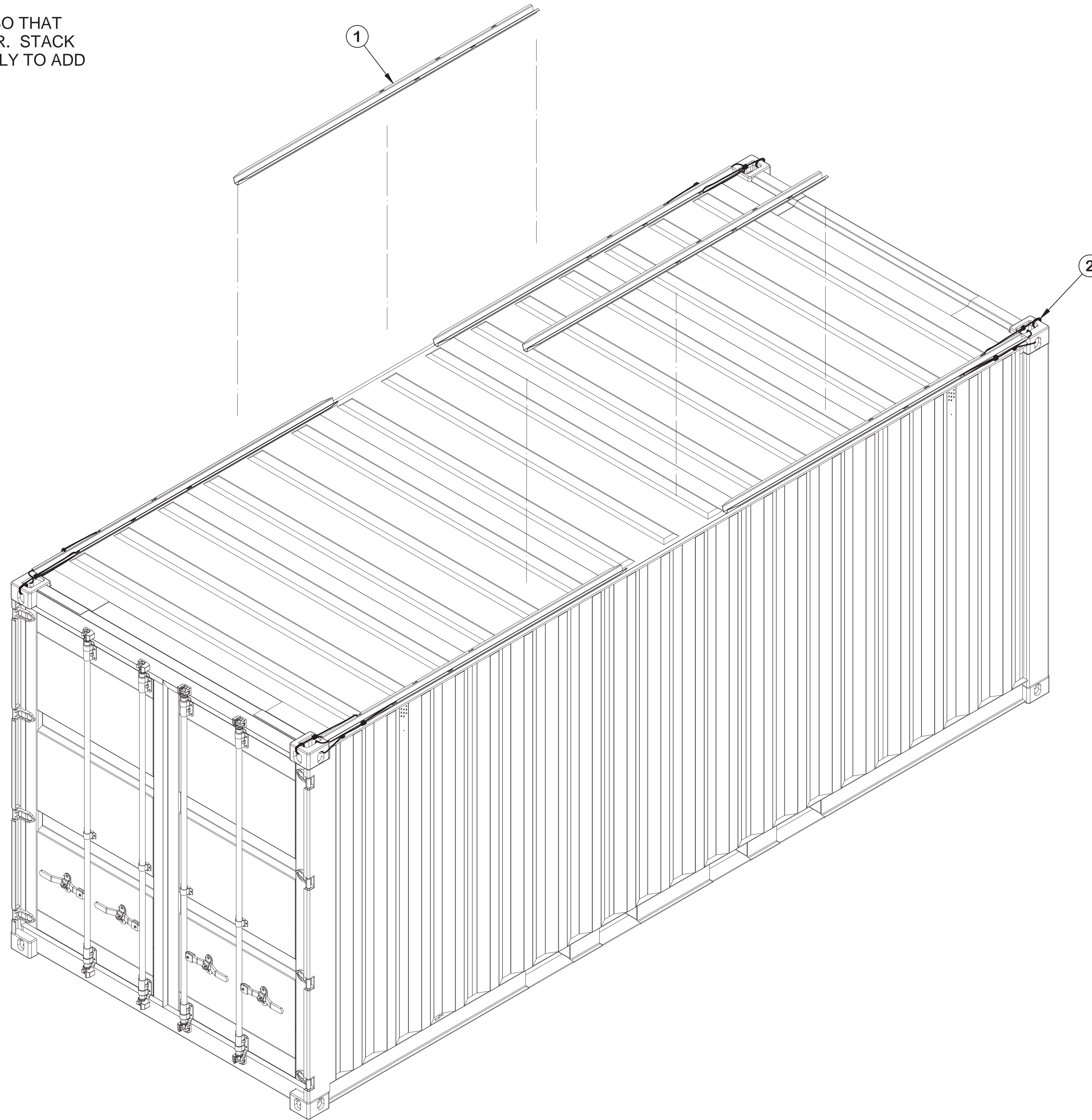
FINDS 1 AND 2 INSTALLATION

DISTRIBUTION STATEMENT A.
APPROVED FOR PUBLIC RELEASE;
DISTRIBUTION IS UNLIMITED.

DATE 16-11-02	PROJECT ENGINEER HOVEY SPENCE R.W.1398183939	DESIGN ACTIVITY U.S. ARMY COMBINED ARMS SUPPORT COMMAND DEFENSE AMMUNITION CENTER (DAC) MCALISTER, OKLAHOMA 74501-9053
TEST REPORT 14-06	TEST ENGINEER FELICIANO AD N.1259200373	
FIEFFER, LAURA A.1230375727 <small>Digitally signed by FIEFFER, LAURA A. DN: cn=FIEFFER, LAURA A, o=US Army, ou=US Army Materiel Command, email=laurea.fieffer@army.mil, c=US</small>		OVERHEAD PROTECTION FOR ISO CONTAINERS
SUBMITTED BY TIRONE, JOSEPH A NDREW.1026683749 <small>Digitally signed by TIRONE, JOSEPH A. DN: cn=TIRONE, JOSEPH A, o=US Army, ou=US Army Materiel Command, email=jtiron@army.mil, c=US</small>		
APPROVED BY ORDER OF COMMANDING GENERAL, U.S. ARMY MATERIAL COMMAND SHIMP, UPTON R.1231257183 <small>Digitally signed by SHIMP, UPTON. DN: cn=SHIMP, UPTON, o=US Army, ou=US Army Materiel Command, email=upton.shimp@army.mil, c=US</small>		
SIZE D	CAGE 28620	DRAWING No. ACV00846
SCALE 7/100	UNIT WT	REV. SHEET 2 OF 10

NOTE:

LAY TWO FENCE POSTS (FIND 1) AS SHOWN SO THAT THEY ARE CENTERED ON THE ISO CONTAINER. STACK THEM ON TOP OF THE POSTS LAID PREVIOUSLY TO ADD SUPPORT.



FINDS 1 AND 2 INSTALLATION (CONTINUED)

DISTRIBUTION STATEMENT A.
APPROVED FOR PUBLIC RELEASE;
DISTRIBUTION IS UNLIMITED.

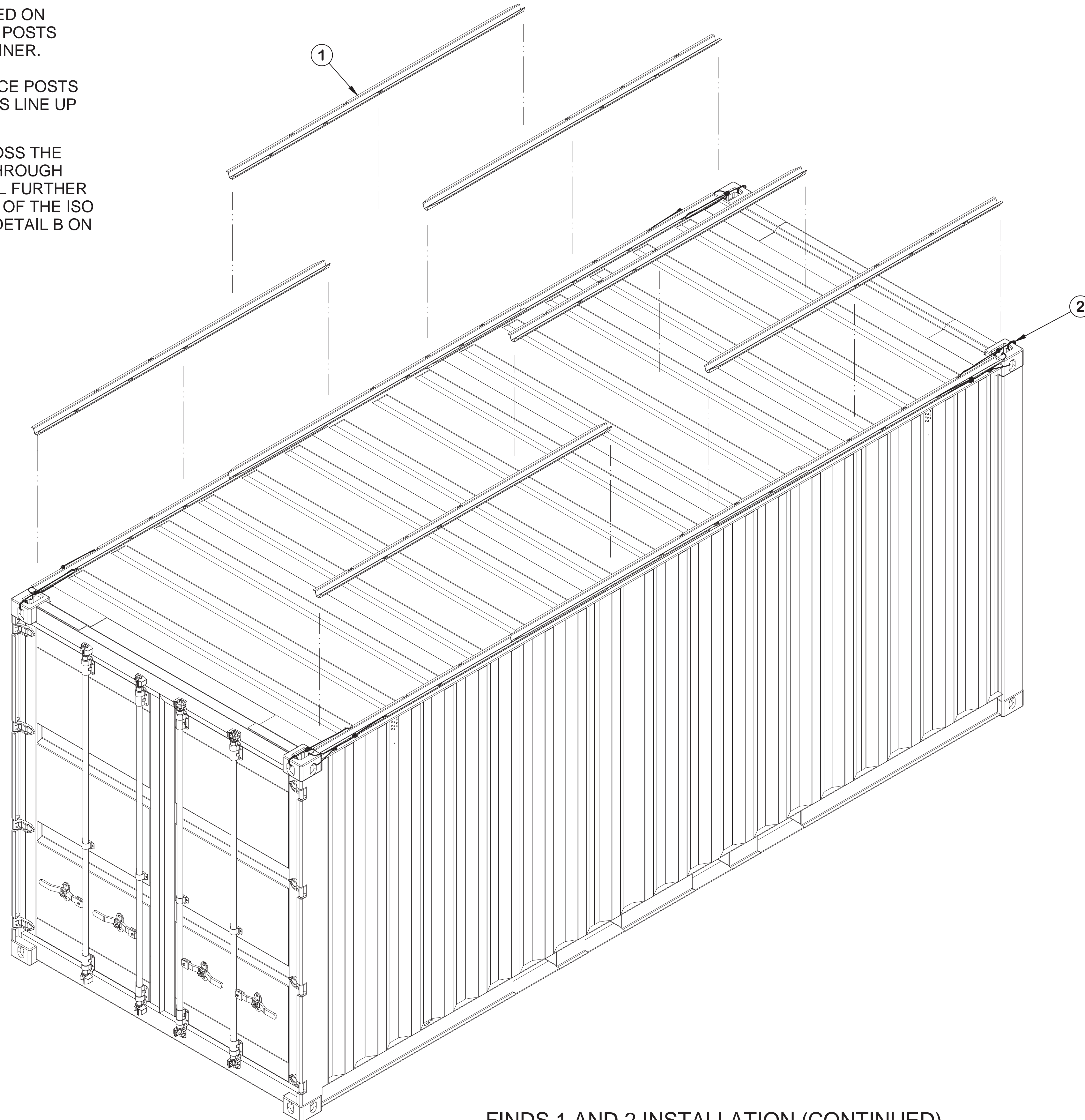
REVISION			APPROVED	
LTR.	DESCRIPTION	ENG.	BY	DATE
XA	INITIAL RELEASE FOR THEATER USE	SH	FIEFFER	16-06-23
-	PRODUCT BASELINE	SH	FIEFFER	16-11-02

CAD MAINTAINED. CHANGES SHALL BE INCORPORATED BY THE DESIGN ACTIVITY.

DATE 16-11-02	PROJECT ENGINEER HOVEY SPENCE R.W.1398183939	DESIGN ACTIVITY U.S. ARMY COMBINED ARMS SUPPORT COMMAND DEFENSE AMMUNITION CENTER (DAC) MCALESTER, OKLAHOMA 74501-9053
TEST REPORT 14-06	TEST ENGINEER FELICIANO AD IN.1259200373	
DRAWING BY: FIEFFER, LAURA A. 12007977 DATE: 2016.11.02 09:23:05 DRAWING CHECKED BY: TIRONE, JOSEPH AN DATE: 2016.11.02 09:23:05 SUBMITTED BY: TIRONE, JOSEPH AN DRAWING NO.: R.1231257183 DATE: 2016.11.02 09:23:05 APPROVED BY: SHIMP, UPTON DATE: 2016.11.30 08:41:01		OVERHEAD PROTECTION FOR ISO CONTAINERS
SIZE D	CAGE 28620	DRAWING No. ACV00846
SCALE 7/100	UNIT WT	REV. 3 OF 10

NOTES:

1. REPEAT THE PATTERN PREVIOUSLY DESCRIBED ON SHEETS 2 AND 3 TO ADD A SECOND LAYER OF POSTS (FIND 1) THAT EXTEND ALONG THE ISO CONTAINER.
2. WHEN STACKING THE SECOND LAYER OF FENCE POSTS BE SURE THAT THE SLOTS AND TAPERED ENDS LINE UP WITH THE FIRST LAYER OF FENCE POSTS.
3. WEAVE ROPE (FIND 2) BACK AND FORTH ACROSS THE WIDTH OF THE ISO CONTAINER PASSING IT THROUGH APPROPRIATE FENCE POST SLOTS. THIS WILL FURTHER SECURE POSTS FROM FALLING OFF THE SIDE OF THE ISO BEFORE LAYING DOWN CROSS BEAMS. SEE DETAIL B ON PAGE 5.



FINDS 1 AND 2 INSTALLATION (CONTINUED)

DISTRIBUTION STATEMENT A.
 APPROVED FOR PUBLIC RELEASE;
 DISTRIBUTION IS UNLIMITED.

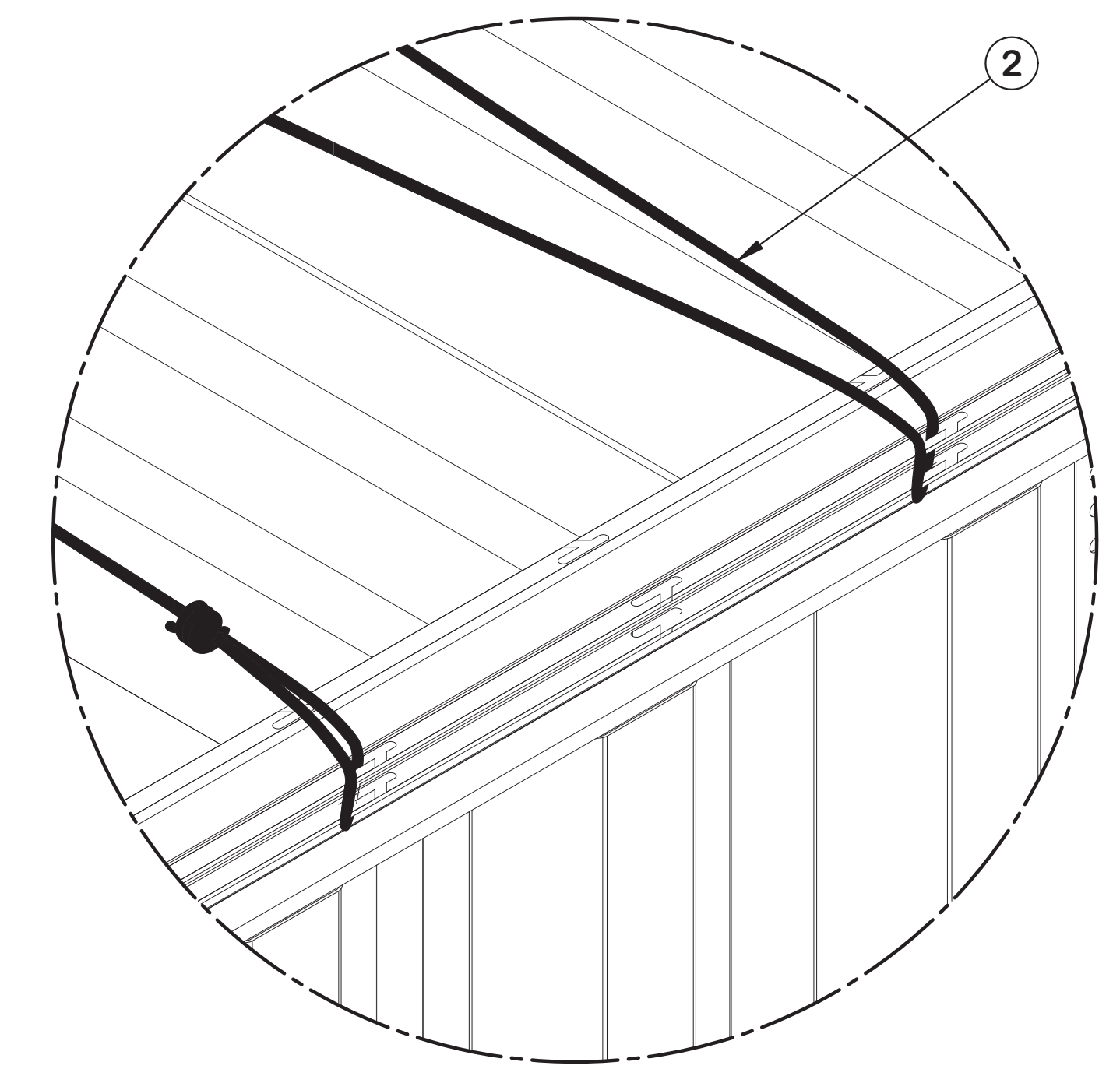
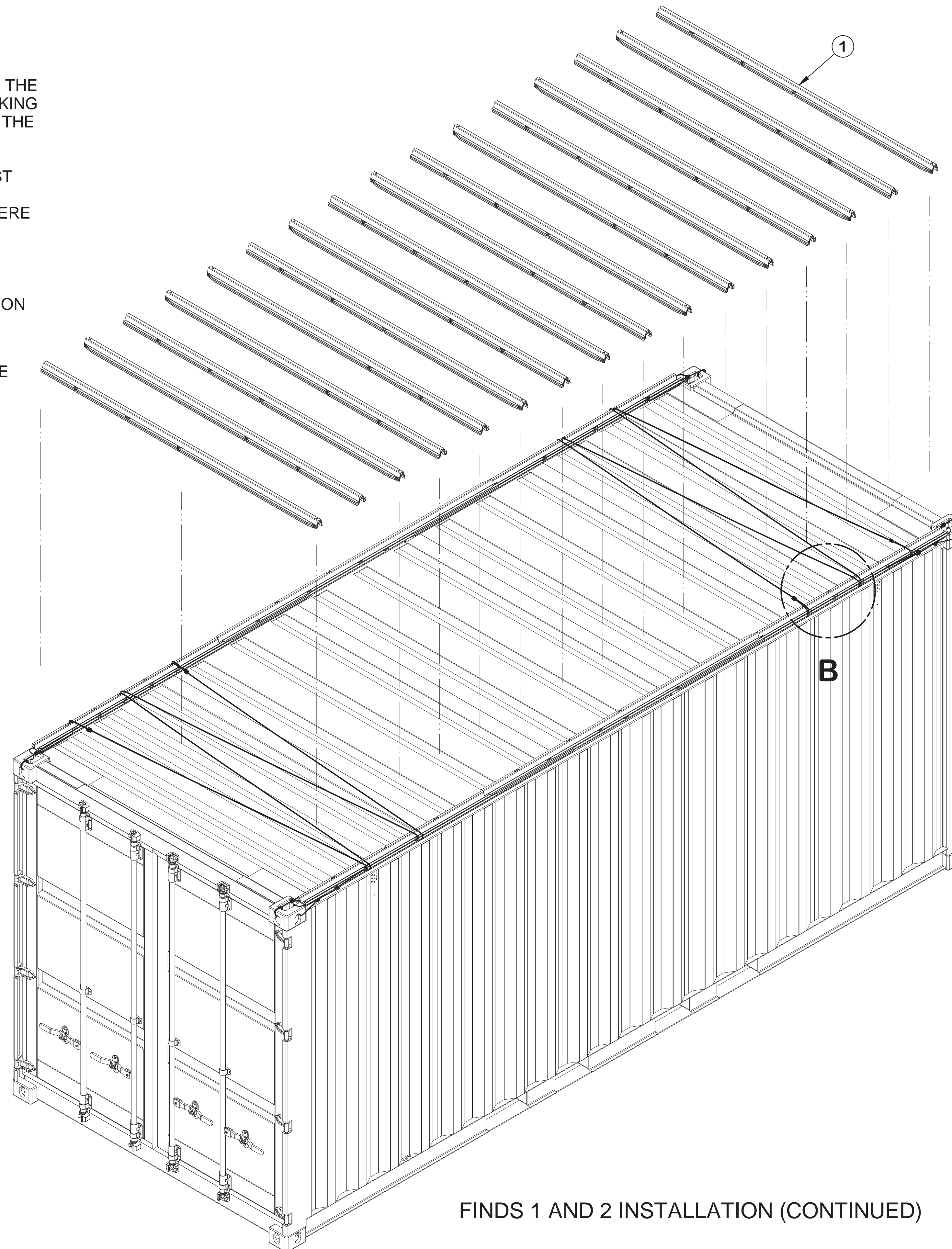
REVISION		APPROVED		
LTR.	DESCRIPTION	ENG.	BY	DATE
XA	INITIAL RELEASE FOR THEATER USE	SH	FIEFFER	16-06-23
-	PRODUCT BASELINE	SH	FIEFFER	16-11-02

CAD MAINTAINED. CHANGES SHALL BE INCORPORATED BY THE DESIGN ACTIVITY.

DATE 16-11-02	PROJECT ENGINEER HOVEY, SPENCER ER.W.13981839 39	DESIGN ACTIVITY U.S. ARMY COMBINED ARMS SUPPORT COMMAND DEFENSE AMMUNITION CENTER (DAC) MCALESTER, OKLAHOMA 74501-9053
TEST REPORT 14-06	TEST ENGINEER FELICIANO, ADRIAN IN.1259200373	
FIEFFER, LAUR A.A.1230375727 CHIEF, EXPLOSIVES SAFETY ENGINEERING DIVISION SUBMITTED BY TIRONE, JOSEPH, AN DREW.1026683749 APPROVED BY ORDER OF COMMANDING GENERAL, U.S. ARMY MATERIAL COMMAND SHIMP, UPTON R.1231257183		OVERHEAD PROTECTION FOR ISO CONTAINERS SIZE D
DIRECTOR FOR EXPLOSIVE SAFETY APPROVED BY ORDER OF COMMANDING GENERAL, U.S. ARMY MATERIAL COMMAND SHIMP, UPTON R.1231257183		CAGE 28620 SCALE 7/100
DRAWING No. ACV00846		REV. SHEET 4 OF 10

NOTES:

1. LAY SIXTEEN CROSS BEAMS ON TOP OF THE FENCE POSTS (FIND 1) THAT WERE PREVIOUSLY PLACED ON THE ISO ROOF. EACH CROSS BEAM IS CREATED BY STACKING THREE FENCE POSTS ON TOP OF EACH OTHER WITH THE SLOTS AND TAPERED ENDS ALIGNED.
2. THE SLOTTED SURFACE OF THE BOTTOM FENCE POST OF EACH CROSS BEAM IS TO LAY ON THE SLOTTED SURFACES OF THE INVERTED FENCE POSTS THAT WERE PREVIOUSLY LAID DOWN.
3. SPACE THE CROSS BEAMS SO THAT THEY ARE CENTERED ON THE LOWER PORTION OF A ROOF CORRUGATION. MAKE SURE THAT THE UPPER PORTION OF A ROOF CORRUGATION IS NOT DIRECTLY UNDERNEATH A CROSS BEAM.
4. WHILE LAYING DOWN THE CROSS BEAMS, ALTERNATE THE TAPERED ENDS ALONG THE LENGTH OF THE ISO CONTAINER.



DETAIL B

FINDS 1 AND 2 INSTALLATION (CONTINUED)

DISTRIBUTION STATEMENT A.
APPROVED FOR PUBLIC RELEASE;
DISTRIBUTION IS UNLIMITED.

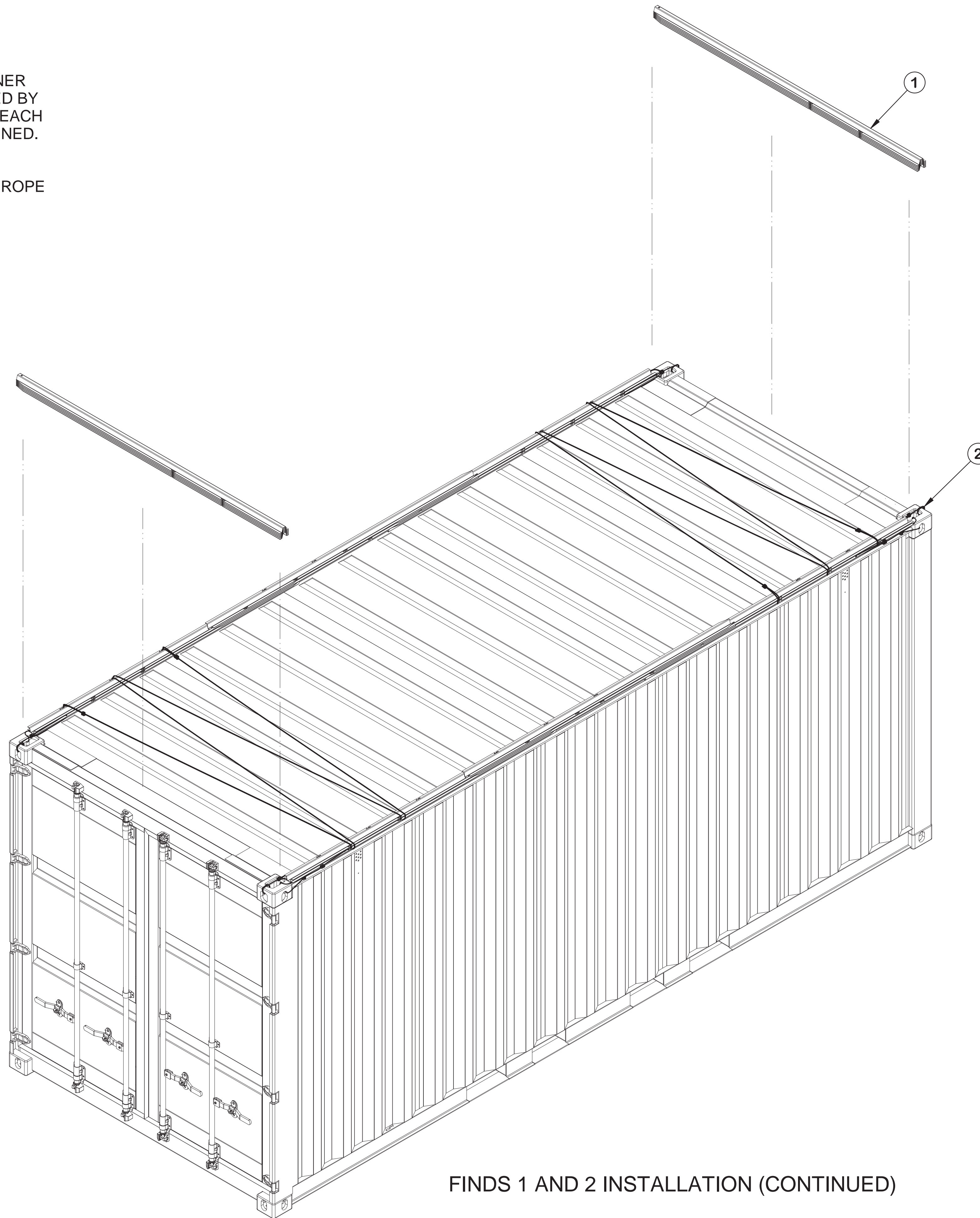
REVISION		APPROVED		
LTR.	DESCRIPTION	ENG.	BY	DATE
XA	INITIAL RELEASE FOR THEATER USE	SH	FIEFFER	16-06-23
-	PRODUCT BASELINE	SH	FIEFFER	16-11-02

CAD MAINTAINED. CHANGES SHALL BE INCORPORATED BY THE DESIGN ACTIVITY.

DATE 16-11-02	PROJECT ENGINEER HOVEY, SPENC ER.W.13981839 39	DESIGN ACTIVITY U.S. ARMY COMBINED ARMS SUPPORT COMMAND DEFENSE AMMUNITION CENTER (DAC) MCALESTER, OKLAHOMA 74501-9053
TEST REPORT 14-06	TEST ENGINEER FELICIANO AD IN.1259200373	OVERHEAD PROTECTION FOR ISO CONTAINERS
Digitally signed by: FIEFFER, LAURA A.1230375727 CHIEF, EXPLOSIVES SAFETY ENGINEERING DIVISION SUBMITTED BY: TIRONE, JOSEPH A NDREW.1026683749 DIRECTOR FOR EXPLOSIVE SAFETY APPROVED BY ORDER OF COMMANDING GENERAL, U.S. ARMY MATERIAL COMMAND SHIMP, UPTON R.1231257183		SCALE D 13/200 UNIT WT DRAWING No. ACV00846 REV. SHEET 5 OF 10

NOTES:

1. LAY TWO CROSS BEAMS ON TOP OF THE ISO CORNER POSTS AS SHOWN. EACH CROSS BEAM IS CREATED BY STACKING FIVE FENCE POSTS (FIND 1) ON TOP OF EACH OTHER WITH THE SLOTS AND TAPERED ENDS ALIGNED.
2. TIE EACH END OF EACH CROSS BEAM TO THE ISO CORNER POSTS DIRECTLY UNDERNEATH IT USING ROPE (FIND 2). SEE DETAIL C ON PAGE 7.



FINDS 1 AND 2 INSTALLATION (CONTINUED)

DISTRIBUTION STATEMENT A.
 APPROVED FOR PUBLIC RELEASE;
 DISTRIBUTION IS UNLIMITED.

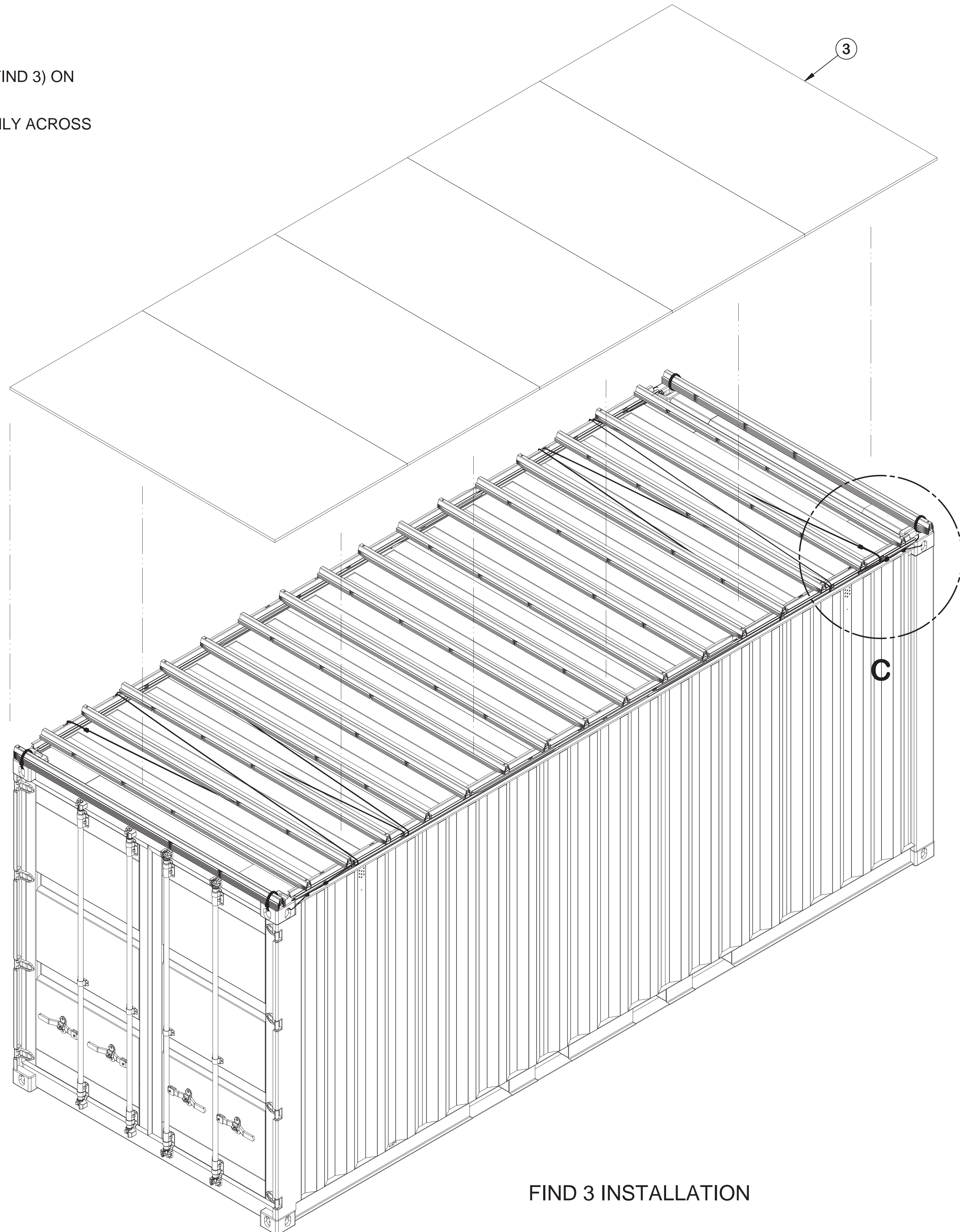
REVISION			APPROVED	
LTR.	DESCRIPTION	ENG.	BY	DATE
XA	INITIAL RELEASE FOR THEATER USE	SH	FIEFFER	16-06-23
-	PRODUCT BASELINE	SH	FIEFFER	16-11-02

CAD MAINTAINED. CHANGES SHALL BE INCORPORATED BY THE DESIGN ACTIVITY.

DATE 16-11-02	PROJECT ENGINEER HOVEY SPENCE R.W.1398183939	DESIGN ACTIVITY U.S. ARMY COMBINED ARMS SUPPORT COMMAND DEFENSE AMMUNITION CENTER (DAC) MCALESTER, OKLAHOMA 74501-9053
TEST REPORT 14-06	TEST ENGINEER FELICIANO AD IN.1255200373	
Digitally signed by: FIEFFER.LAURA .A.1230375727 DN: cn=FIEFFER.LAURA, o=U.S. Army Materiel Command, ou=USAMC, email=fieffera@usamc.army.mil, c=US CHIEF, EXPLOSIVES SAFETY ENGINEERING DIVISION		OVERHEAD PROTECTION FOR ISO CONTAINERS
Digitally signed by: TIRONE JOSEPH AN DREW.1026683749 DN: cn=TIRONE JOSEPH AN, o=U.S. Army Materiel Command, ou=USAMC, email=tironej@usamc.army.mil, c=US DIRECTOR FOR EXPLOSIVE SAFETY APPROVED BY ORDER OF COMMANDING GENERAL, U.S. ARMY MATERIAL COMMAND		SIZE D 28620 SCALE 13/200
Digitally signed by: SHIMP.UPTON .R.1231257183 DN: cn=SHIMP.UPTON, o=U.S. Army Materiel Command, ou=USAMC, email=shimpu@usamc.army.mil, c=US APPROVED BY ORDER OF COMMANDING GENERAL, U.S. ARMY MATERIAL COMMAND		DRAWING No. ACV00846 UNIT WT SHEET 6 OF 10

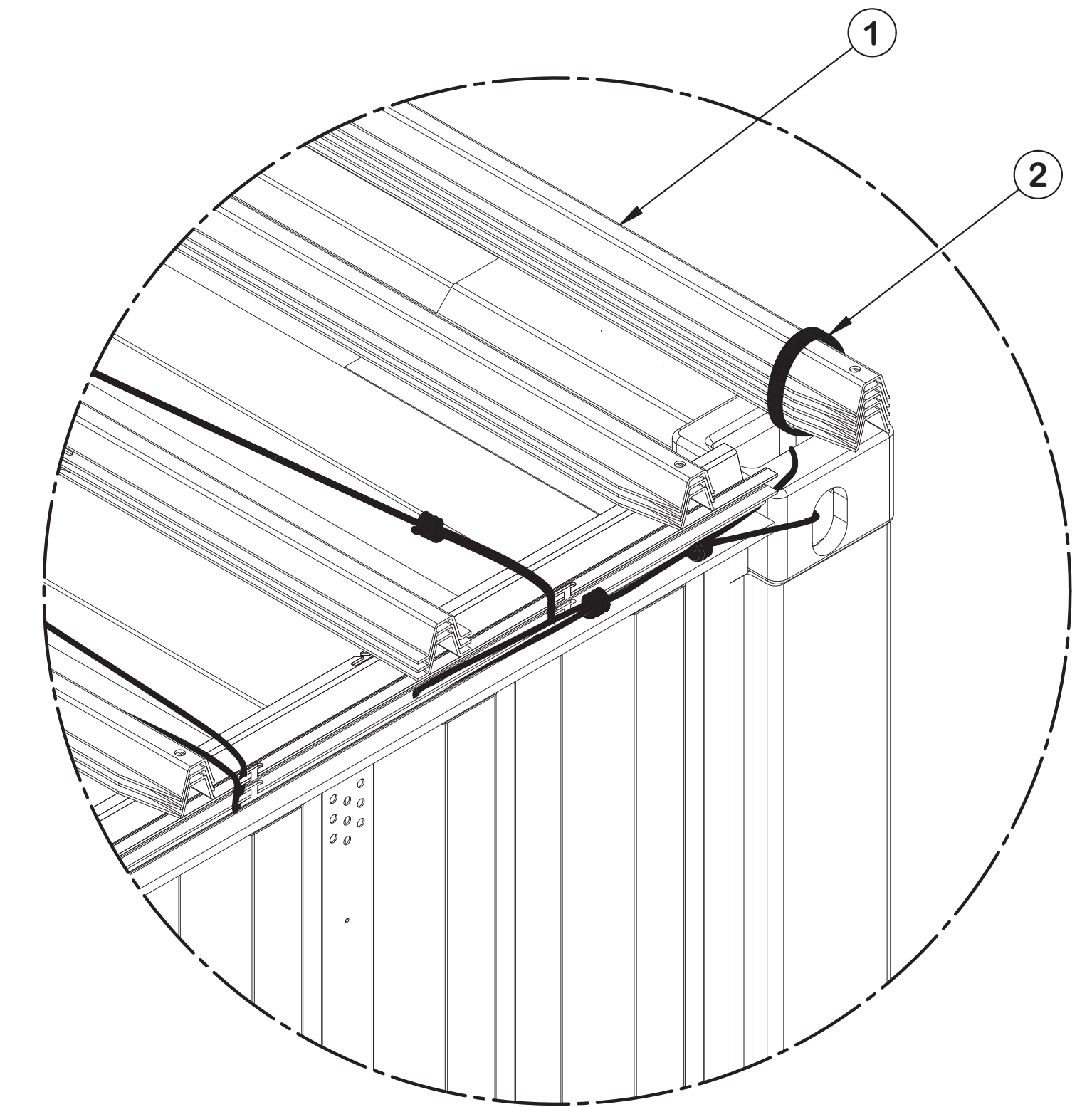
NOTES:

1. LAY FIVE 4' X 8' X 3/4" SHEETS OF PLYWOOD (FIND 3) ON THE CROSS BEAMS AS SHOWN.
2. **CAUTION:** THE PLYWOOD WILL NOT LAY EVENLY ACROSS THE MIDDLE SECTION OF THE ISO.



REVISION			APPROVED	
LTR.	DESCRIPTION	ENG.	BY	DATE
XA	INITIAL RELEASE FOR THEATER USE	SH	FIEFFER	16-06-23
-	PRODUCT BASELINE	SH	FIEFFER	16-11-02

CAD MAINTAINED. CHANGES SHALL BE INCORPORATED BY THE DESIGN ACTIVITY.



DETAIL C

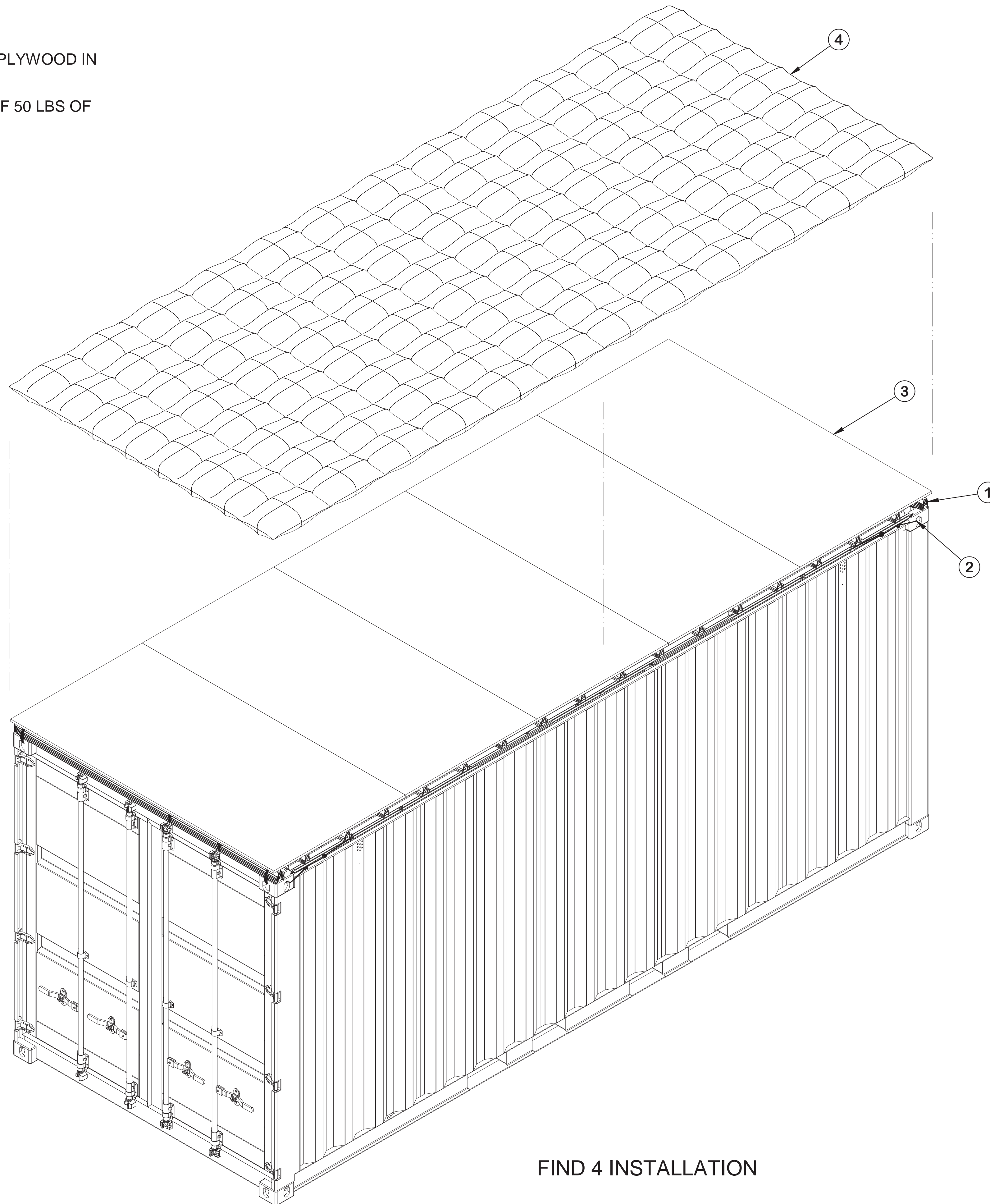
DISTRIBUTION STATEMENT A.
APPROVED FOR PUBLIC RELEASE;
DISTRIBUTION IS UNLIMITED.

FIND 3 INSTALLATION

DATE 16-11-02	PROJECT ENGINEER HOVEY SPENCE R.W.1398183939	DESIGN ACTIVITY U.S. ARMY COMBINED ARMS SUPPORT COMMAND DEFENSE AMMUNITION CENTER (DAC) MCALESTER, OKLAHOMA 74501-9053
TEST REPORT 14-06	TEST ENGINEER FELICIANO ADJ N.1259200373	
Drawn by: FIEFFER.LAURA A.1230375727 N.1259200373 CHIEF, EXPLOSIVES SAFETY ENGINEERING DIVISION		OVERHEAD PROTECTION FOR ISO CONTAINERS
Submitted by: TIRONE.JOSEPH.A NDREW.1026683749 DIRECTOR FOR EXPLOSIVE SAFETY APPROVED BY ORDER OF COMMANDING GENERAL, U.S. ARMY MATERIAL COMMAND		
Drawn by: SHIMP.UPTON R.1231257183		SIZE D 28620
Drawn by: Date: 2016.11.30 09:38:15 -0600		DRAWING No. ACV00846
SCALE 13/200		UNIT WT SHEET 7 OF 10

NOTES:

1. LAY 96 SAND BAGS (FIND 4) ON TOP OF THE PLYWOOD IN THE PATTERN SHOWN.
2. EACH SAND BAG IS FILLED TO A MAXIMUM OF 50 LBS OF SAND.



FIND 4 INSTALLATION

DISTRIBUTION STATEMENT A.
 APPROVED FOR PUBLIC RELEASE;
 DISTRIBUTION IS UNLIMITED.

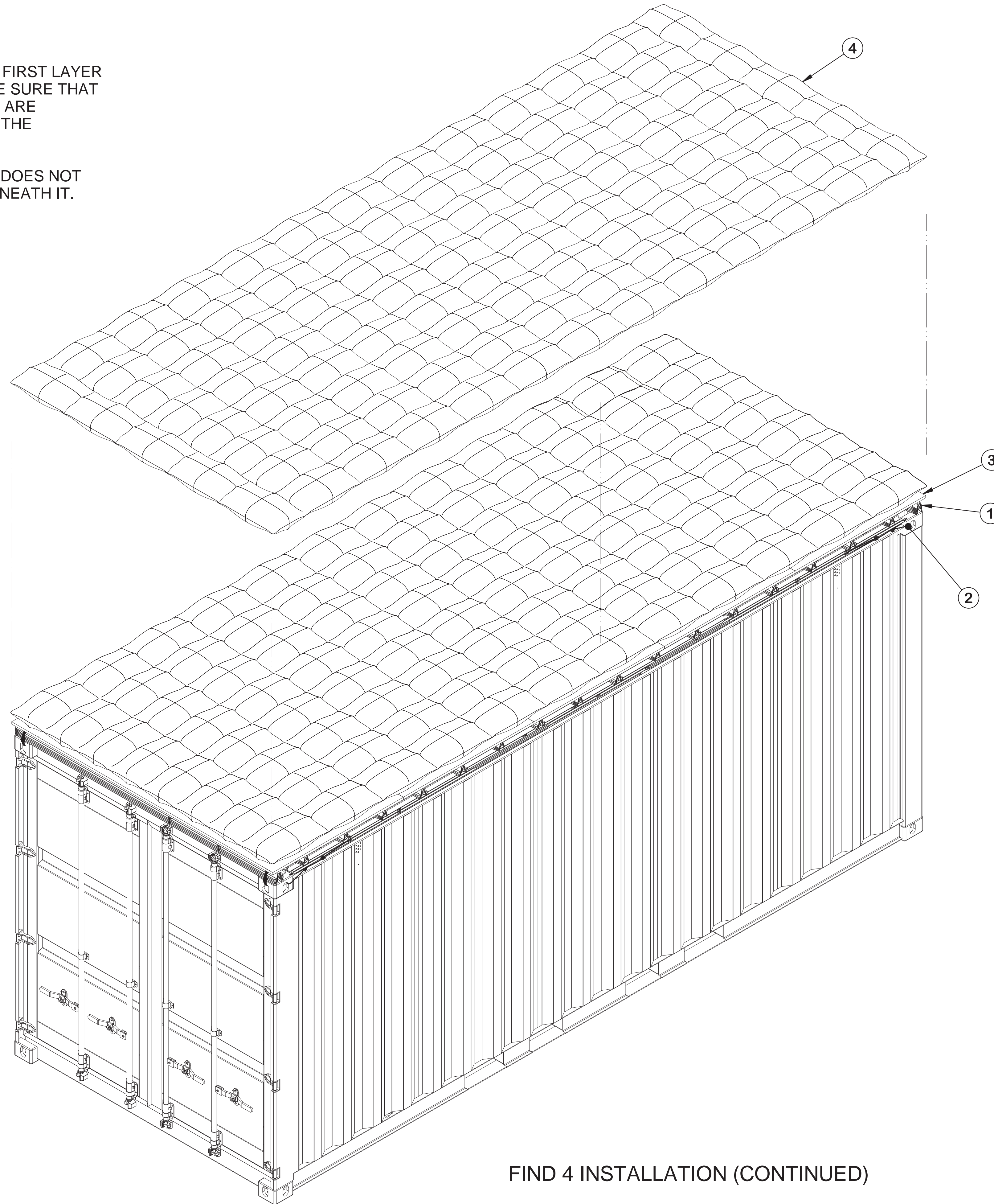
REVISION			APPROVED	
LTR.	DESCRIPTION	ENG.	BY	DATE
XA	INITIAL RELEASE FOR THEATER USE	SH	FIEFFER	16-06-23
-	PRODUCT BASELINE	SH	FIEFFER	16-11-02

CAD MAINTAINED. CHANGES SHALL BE INCORPORATED BY THE DESIGN ACTIVITY.

DATE 16-11-02		PROJECT ENGINEER HOVEY.SPENC ER.W.13981839 39		DESIGN ACTIVITY U.S. ARMY COMBINED ARMS SUPPORT COMMAND DEFENSE AMMUNITION CENTER (DAC) MCALISTER, OKLAHOMA 74501-9053	
TEST REPORT 14-06		TEST ENGINEER FELICIANO AD IN.1259200373		OVERHEAD PROTECTION FOR ISO CONTAINERS	
SUBMITTED BY FIEFFER.LAURA .A.1230375727		APPROVED BY TIRONE.JOSEPH.AN DREW.1026683749		SCALE D 13/200	
APPROVED BY ORDER OF COMMANDING GENERAL, U.S. ARMY MATERIAL COMMAND SHIMP.UPTON .R.1231257183		DIRECTOR FOR EXPLOSIVE SAFETY U.S. ARMY MATERIAL COMMAND		DRAWING No. ACV00846	
SIZE D		CAGE 28620		REV. 8 OF 10	
SCALE 13/200		UNIT WT		SHEET	

NOTES:

1. LAY 98 SAND BAGS (FIND 4) ON TOP OF THE FIRST LAYER OF SANDBAGS IN THE PATTERN SHOWN. BE SURE THAT THE SANDBAGS AT EITHER END OF THE ISO ARE ROTATED 90 DEGREES FROM THE REST OF THE PATTERN.
2. ENSURE THAT EACH LAYER OF SAND BAGS DOES NOT DIRECTLY LINE UP WITH THE LAYER UNDERNEATH IT.



FIND 4 INSTALLATION (CONTINUED)

DISTRIBUTION STATEMENT A.
APPROVED FOR PUBLIC RELEASE;
DISTRIBUTION IS UNLIMITED.

REVISION		APPROVED		
LTR.	DESCRIPTION	ENG.	BY	DATE
XA	INITIAL RELEASE FOR THEATER USE	SH	FIEFFER	16-06-23
-	PRODUCT BASELINE	SH	FIEFFER	16-11-02

CAD MAINTAINED. CHANGES SHALL BE INCORPORATED BY THE DESIGN ACTIVITY.

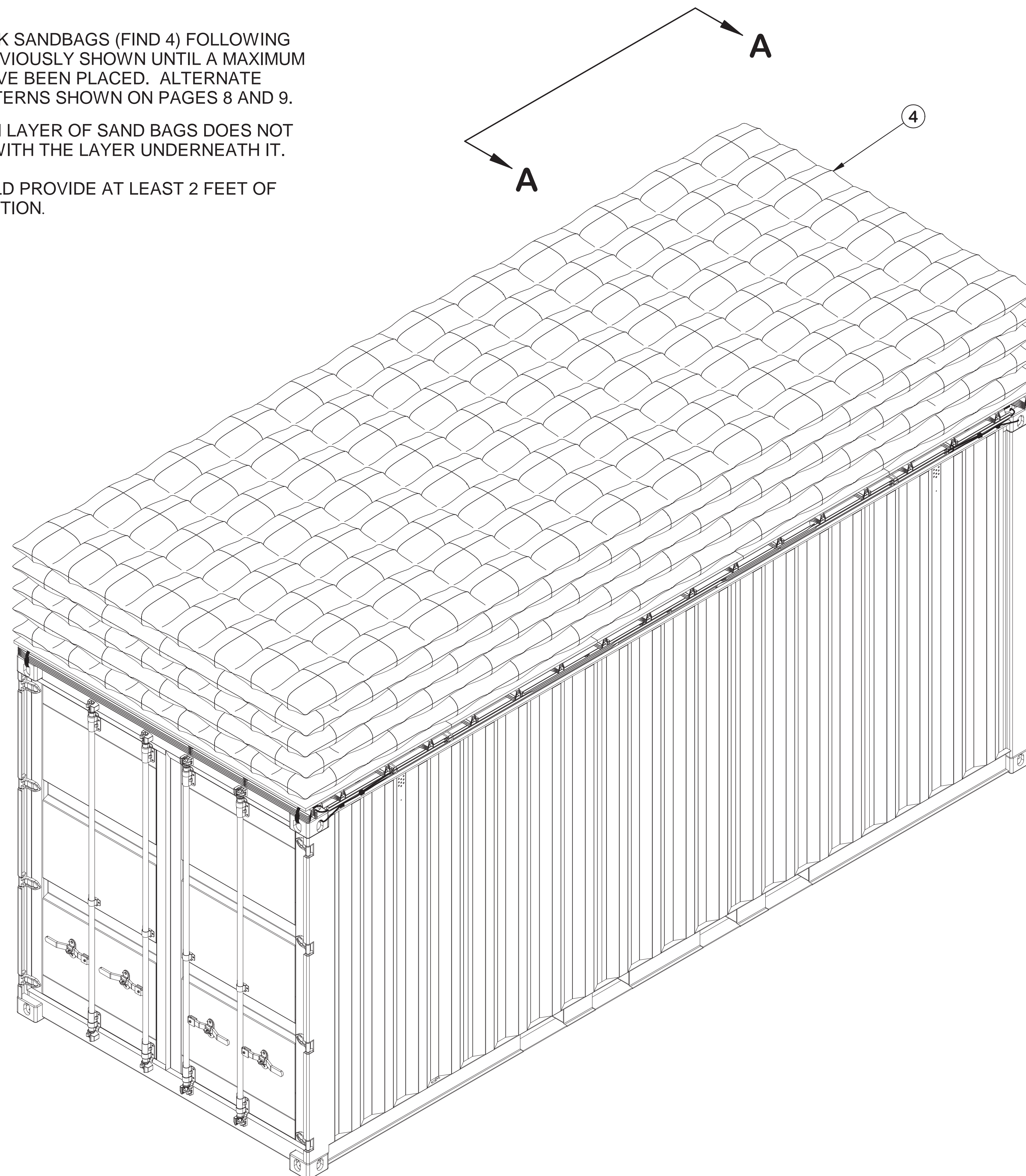
DATE 16-11-02	PROJECT ENGINEER HOVEY SPENCE R.W.1398183939	DESIGN ACTIVITY U.S. ARMY COMBINED ARMS SUPPORT COMMAND DEFENSE AMMUNITION CENTER (DAC) MCALESTER, OKLAHOMA 74501-9053
TEST REPORT 14-06	TEST ENGINEER FELICIANO AD IN.1259200373	
Digitally signed by: FIEFFER LAURA .A.1230375727 DN: cn=FIEFFER LAURA, o=U.S. ARMY CHIEF, EXPLOSIVES SAFETY ENGINEERING DIVISION SUBMITTED: TIRONE JOSEPH AN DREW.1026683749 DN: cn=TIRONE JOSEPH AN, o=U.S. ARMY DIRECTOR FOR EXPLOSIVE SAFETY APPROVED BY ORDER OF COMMANDING GENERAL, U.S. ARMY MATERIAL COMMAND SHIMP.UPTON .R.1231257183 Digitally signed by: SHIMP UPTON .R.1231257183 DN: cn=SHIMP UPTON, o=U.S. ARMY Date: 2016.11.30 08:24:41 -0600		OVERHEAD PROTECTION FOR ISO CONTAINERS
SIZE D	CAGE 28620	DRAWING No. ACV00846
SCALE 13/200	UNIT WT	REV. 9 OF 10

REVISION			APPROVED	
LTR.	DESCRIPTION	ENG.	BY	DATE
XA	INITIAL RELEASE FOR THEATER USE	SH	FIEFFER	16-06-23
-	PRODUCT BASELINE	SH	FIEFFER	16-11-02

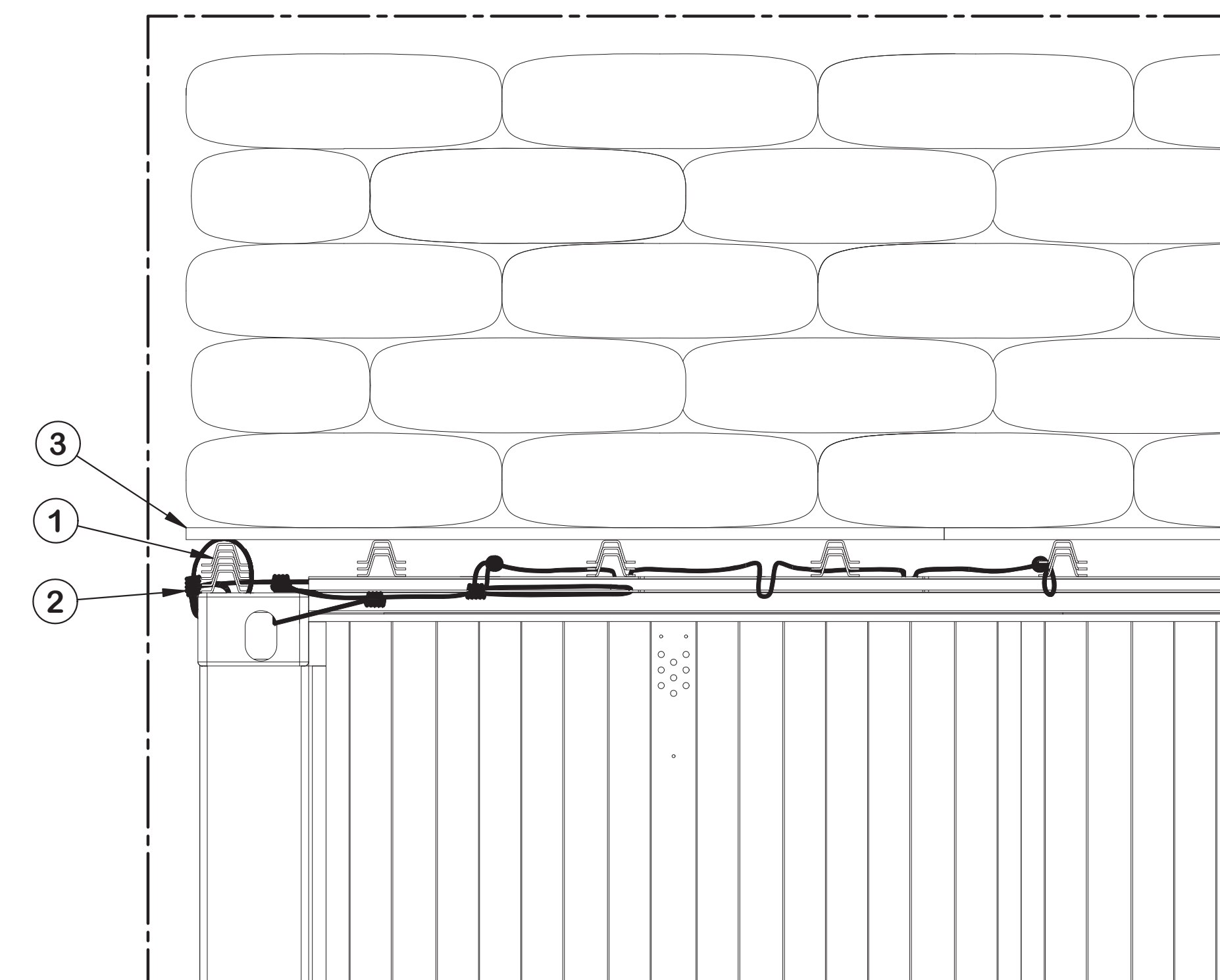
CAD MAINTAINED. CHANGES SHALL BE INCORPORATED BY THE DESIGN ACTIVITY.

NOTES:

1. CONTINUE TO STACK SANDBAGS (FIND 4) FOLLOWING THE PATTERNS PREVIOUSLY SHOWN UNTIL A MAXIMUM OF FIVE LAYERS HAVE BEEN PLACED. ALTERNATE BETWEEN THE PATTERNS SHOWN ON PAGES 8 AND 9.
2. ENSURE THAT EACH LAYER OF SAND BAGS DOES NOT DIRECTLY LINE UP WITH THE LAYER UNDERNEATH IT.
3. FIVE LAYERS SHOULD PROVIDE AT LEAST 2 FEET OF OVERHEAD PROTECTION.



FIND 4 INSTALLATION (CONTINUED)



SECTION A-A

DISTRIBUTION STATEMENT A.
APPROVED FOR PUBLIC RELEASE;
DISTRIBUTION IS UNLIMITED.

DATE 16-11-02	PROJECT ENGINEER HOVEY SPENCE R.W.1398183939	DESIGN ACTIVITY U.S. ARMY COMBINED ARMS SUPPORT COMMAND DEFENSE AMMUNITION CENTER (DAC) MCALESTER, OKLAHOMA 74501-9053
TEST REPORT 14-06	TEST ENGINEER FELICIANO AD IN.1259200373	
SUBMITTED BY FIEFFER.LAURA A.1230375727 CHIEF, EXPLOSIVES SAFETY ENGINEERING DIVISION		OVERHEAD PROTECTION FOR ISO CONTAINERS
SUBMITTED BY TIRONE.JOSEPH.AN DREW.1026683749 DIRECTOR FOR EXPLOSIVE SAFETY U.S. ARMY MATERIAL COMMAND		
APPROVED BY ORDER OF COMMANDING GENERAL, U.S. ARMY MATERIAL COMMAND SHIMP.UPTON R.1231257183		SIZE D 28620
		DRAWING No. ACV00846
		SCALE 13/200
		UNIT WT SHEET 10 OF 10