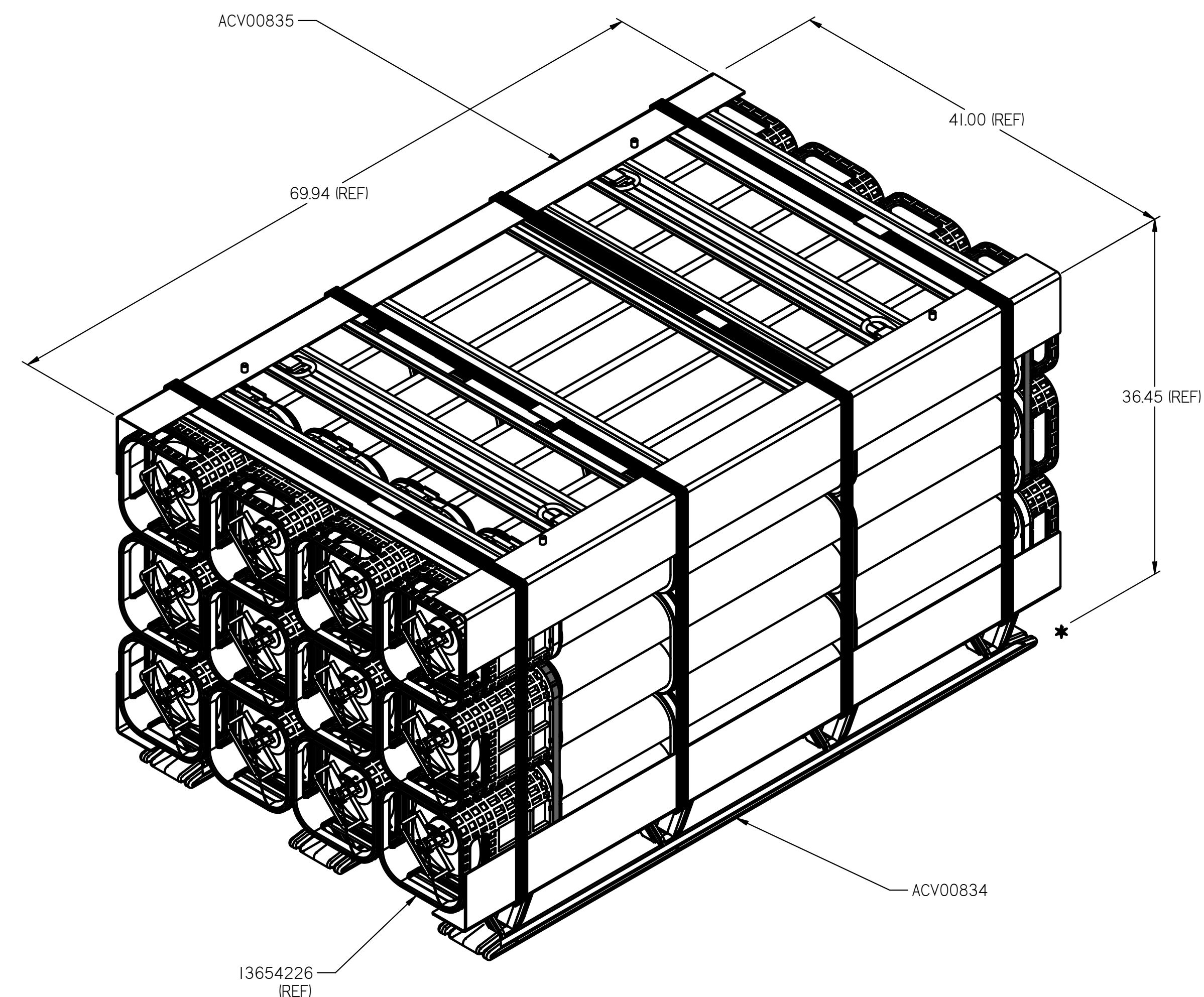


REVISION			APPROVED		
LTR.	DESCRIPTION	ENG.	BY	DATE	
-	PRODUCT BASELINE ERR R12K3006 / 12-06-14	QT	FIEFFER	12-06-14	
A	ECP R13R3001, NOR 1 / 15-05-11	QT	FIEFFER	15-05-11	

CAD MAINTAINED. CHANGES SHALL BE INCORPORATED BY THE DESIGN ACTIVITY.



COMBINATION OF ADOPTED ITEMS	PART NO
BOTTOM FRAME AND PALLET - M643 AMMUNITION CONTAINER	ACV00834
TOP LIFT ADAPTER - M643 AMMUNITION CONTAINER	ACV00835
AMMUNITION CONTAINER, M643	13654226
UNITIZATION PROCEDURES FOR AMMUNITION AND COMPONENTS PACKED IN CYLINDRICAL METAL OR PLASTIC CONTAINERS ON 4-WAY ENTRY PALLETS - 2.75" HYDRA ROCKET, PACKED 4 PER M643 HDPE CONTAINER, UNITIZED 12 PER 69-3/4" X 41" METAL BOTTOM FRAME AND PALLET WITH TOP LIFT ADAPTER; APPROX CONTAINER SIZE 70" L X 10-1/8" W X 10-1/8" H	19-48-4231/62-20PM1006

DISTRIBUTION STATEMENT A.
 APPROVED FOR PUBLIC RELEASE;
 DISTRIBUTION IS UNLIMITED.

UNLESS OTHERWISE NOTED DIMENSIONS ARE IN INCHES		DATE	12-06-14		DESIGN ACTIVITY	U.S. ARMY COMBINED ARMS SUPPORT COMMAND DEFENSE AMMUNITION CENTER (DAC) MCALESTER, OKLAHOMA 74501-9053	
TOLERANCES: XX XXX ±.06 ±.062 ±0°15' ±1/64		DFTSMN:	CHECKER	PROJ ENGR	Q. TRAN		
REMOVE ALL BURRS AND SHARP EDGES .010 R OR CHAMFER MAX.		JMAC-DEV	L. FIEFFER		COMBINATION OF ADOPTED ITEMS FOR UNITIZATION OF M643 AMMUNITION CONTAINER		
MATERIAL		JERRY BEAVER		CHIEF, TRANSPORTATION ENG. DIV.			
FINAL 2.75" ROCKET		DR. UPTON SHIMP		DIRECTOR FOR ENGINEERING AND TECHNOLOGY APPROVED BY ORDER OF COMMANDING GENERAL, U.S. ARMY MATERIAL COMMAND			
NEXT ASSEMBLY USED ON		SIZE	CAGE	DRAWING No.	REV.		
APPLICATION		D	28620	ACV00833	A		
		SCALE	1/8	UNIT WT	SHEET	1 OF 1	