

**NOTES:**

- ASME Y14.5M, DOT-SP 9649 AND CFR 49 APPLY.
- THIS DRAWING APPLIES TO PALLET UNITS OF AMMUNITION CARTRIDGES CONTAINING COMPONENTS (PENETRATORS) MADE OF DEPLETED URANIUM (DU), CLASSIFIED AS CLASS 1 WITH SUBSIDIARY HAZARD OF CLASS 7. THE PALLET UNIT IDENTIFICATION MARKINGS DEPICTED HEREIN ARE IN ADDITION TO THE REQUIREMENTS SET FORTH IN DEFENSE AMMUNITION CENTER (DAC) DRAWING ACV00561.
- EACH PALLET UNIT CONTAINING DU ITEMS (AS LISTED IN TABLE 1 BELOW) REQUIRES ONE "RADIOACTIVE YELLOW II" LABEL TO BE APPLIED. THE REQUIREMENT FOR ONLY ONE LABEL PER PALLET UNIT IS AN EXCEPTION TO CFR 49 §§ 172.406(e), BUT THIS EXCEPTION IS GRANTED TO DOD WITHIN SPECIAL PERMIT DOT-SP 9649.

DODIC	MODEL	SIZE	DODIC	MODEL	SIZE
A675	MK149	20MM	B128	PGU-14	30MM
A676	MK149	20MM	C380	M829A1	120MM
A979	PGU-20	25MM	C523	M774	105MM
A983	PGU-20	25MM	C524	M833	105MM
A986	M919	25MM	C543	M900	105MM
AB20	PGU-14	30MM	C783	M827	120MM
AC56	PGU-14	30MM	C786	M829	120MM
B102	PGU-14	30MM	C792	M829A2	120MM
B103	PGU-14	30MM	CA26	M829A3	120MM
B117	PGU-14	30MM	CA64	M829A4	120MM

- "RADIOACTIVE YELLOW II" LABELS WILL MEET THE MATERIAL, COLOR AND CONSTRUCTION REQUIREMENTS OF CFR §§ 172.407 AND 172.438. FIGURE 1 DEPICTS A TYPICAL "RADIOACTIVE YELLOW II" LABEL. EACH "RADIOACTIVE YELLOW II" LABEL SHALL INCLUDE THE FOLLOWING APPLICABLE INFORMATION ENTERED IN THE CORRESPONDING SPACES FOR FULL OR LIGHT PALLET LOADS. BECQUEREL MAY BE ABBREVIATED "Bq".

- A. CONTENTS: U(dep)
- B. ACTIVITY: 4.2E +9 Becquerel
- C. TRANSPORT INDEX: 0.7

**CAUTION:** THIS DATA IS ONLY VALID FOR PALLET UNITS CONTAINING ONE TYPE OF MUNITION AND IS NOT APPROPRIATE FOR MIXED-ITEM PALLET UNITS OR INDIVIDUAL AMMUNITION CONTAINERS. WHEN SHIPPING A SINGLE AMMUNITION CONTAINER, TWO RADIOACTIVE LABELS FOR EACH PACKAGED ITEM ARE REQUIRED IAW CFR 49. REFER TO THE APPLICABLE PACKING AND MARKING DRAWING FOR THE NSN FOR FURTHER GUIDANCE ON INDIVIDUAL CONTAINER SHIPMENTS.

- THE "RADIOACTIVE YELLOW II" LABEL MUST BE AFFIXED TO THE PALLET UNIT ON THE SAME SIDE AND NEAR THE PROPER SHIPPING NAME. THE LABEL MUST BE CLEARLY VISIBLE AND MUST NOT OBSCURE ANY OTHER MARKINGS.
- WARNING:** THE PROVISIONS OUTLINED IN THIS DRAWING SHOULD NOT BE UNDERTAKEN WITHOUT FIRST VERIFYING THE ACCURACY OF THE REQUIREMENTS BY REFERRING TO THE CURRENT VERSIONS OF BOTH DOT-SP 9649 AND CFR 49.

**DISTRIBUTION STATEMENT A.**  
**APPROVED FOR PUBLIC RELEASE;**  
**DISTRIBUTION IS UNLIMITED.**

REVISION STATUS OF SHEETS	
SHEET	REVISION
1 OF 2	B
2 OF 2	B

REVISION		APPROVED	
LTR.	DESCRIPTION	ENGINEER	BY
-	PRODUCTION BASELINE (ERR R10K3001)	Q. TRAN	FIEFFER
A	ERR K17K3001	Q. TRAN	FIEFFER
B	ERR K22K3001	Q. TRAN	FIEFFER

CAD MAINTAINED. CHANGES SHALL BE INCORPORATED BY THE DESIGN ACTIVITY.

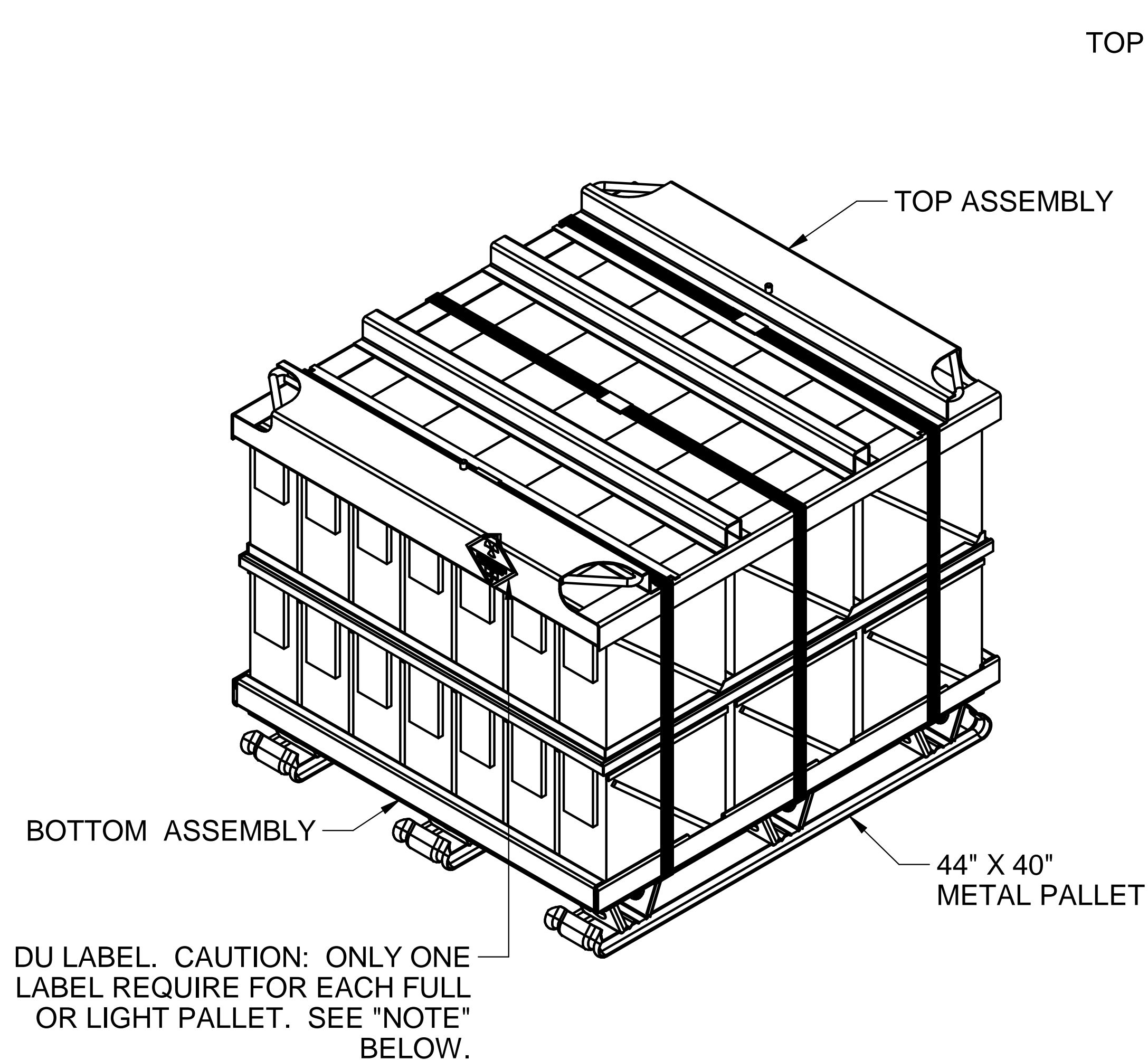


**FIGURE 1**  
**DEPLETED URANIUM (DU) LABEL.**

UNLESS OTHERWISE NOTED DIMENSIONS ARE IN INCHES		DATE	PROJECT ENGINEER	DESIGN ACTIVITY
TOLERANCES: .XX .XXX ±.01 ±.005 ±0°15' FRACTIONS 125 REMOVE ALL BURRS AND SHARP EDGES .010 R OR CHAMFER MAX.		10-02-01	Tran	U.S. ARMY COMBINED ARMS SUPPORT COMMAND DEFENSE AMMUNITION CENTER (DAC) MCALESTER, OKLAHOMA 74501-9053
MATERIAL		TEST REPORT	TEST ENGINEER	<b>RADIOACTIVE YELLOW-II LABEL PLACEMENT</b>
NEXT ASSEMBLY USED ON		NA	Barickman	
APPLICATION		Laurie Fieffer <small>CHIEF, EXPLOSIVES SAFETY ENGINEERING DIVISION</small> Jerry Beaver <small>DEPUTY DIRECTOR FOR EXPLOSIVE SAFETY</small> APPROVED BY ORDER OF COMMANDING GENERAL, U.S. ARMY MATERIAL COMMAND Gary Carney <small>DEFENSE AMMUNITION CENTER</small>		
SCALE	CAGE	DRAWING No.	REV.	
NONE	28620	ACV00832	B	
UNIT WT	SHEET	1 OF 2		

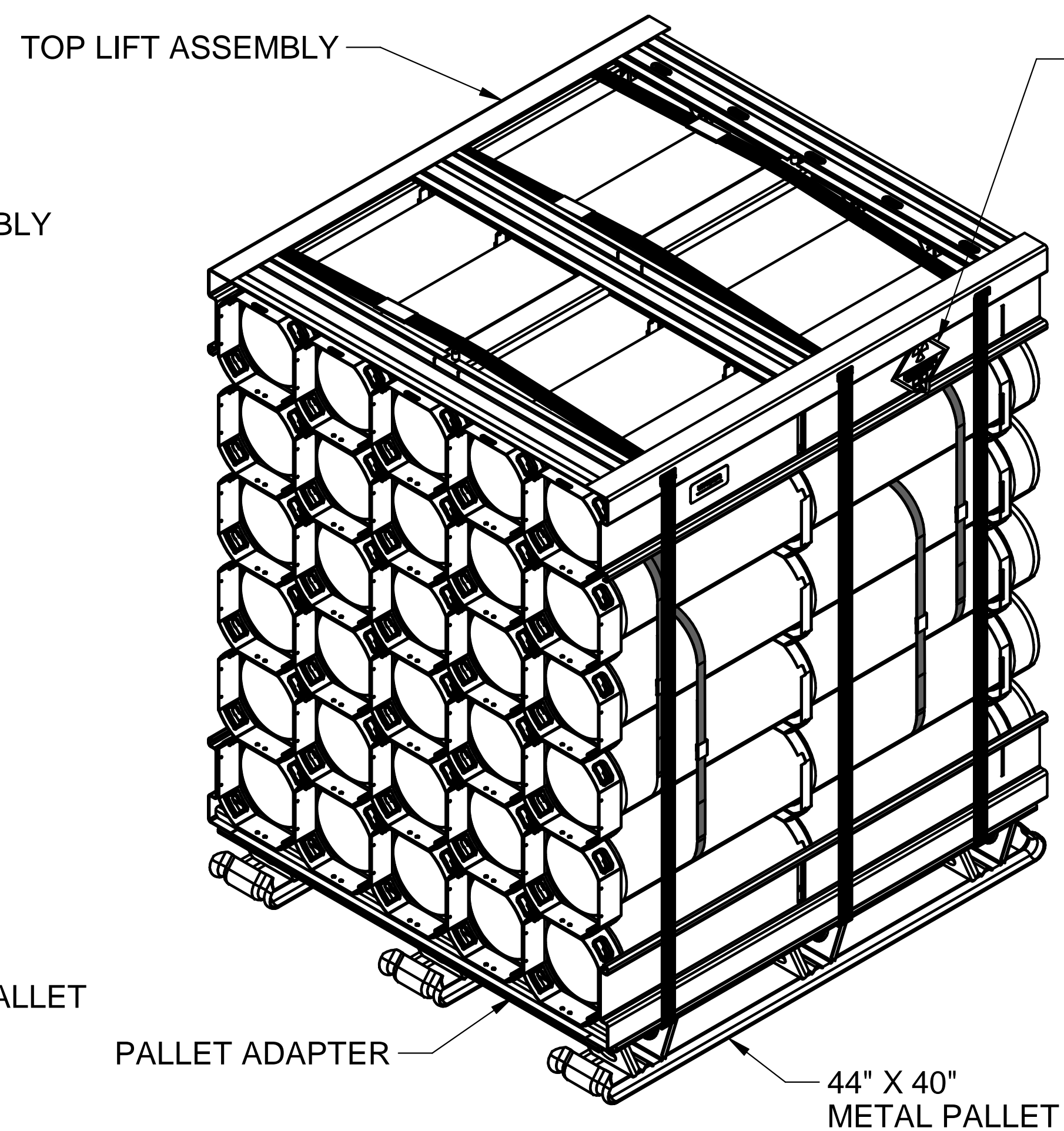
REVISION			APPROVED	
LTR.	DESCRIPTION	ENGINEER	BY	DATE
-	PRODUCTION BASELINE (ERR R10K3001)	Q. TRAN	FIEFFER	10-02-01
A	ERR K17K3001	Q. TRAN	FIEFFER	17-05-15
B	ERR K22K3001	Q. TRAN	FIEFFER	22-02-17

CAD MAINTAINED. CHANGES SHALL BE INCORPORATED BY THE DESIGN ACTIVITY.



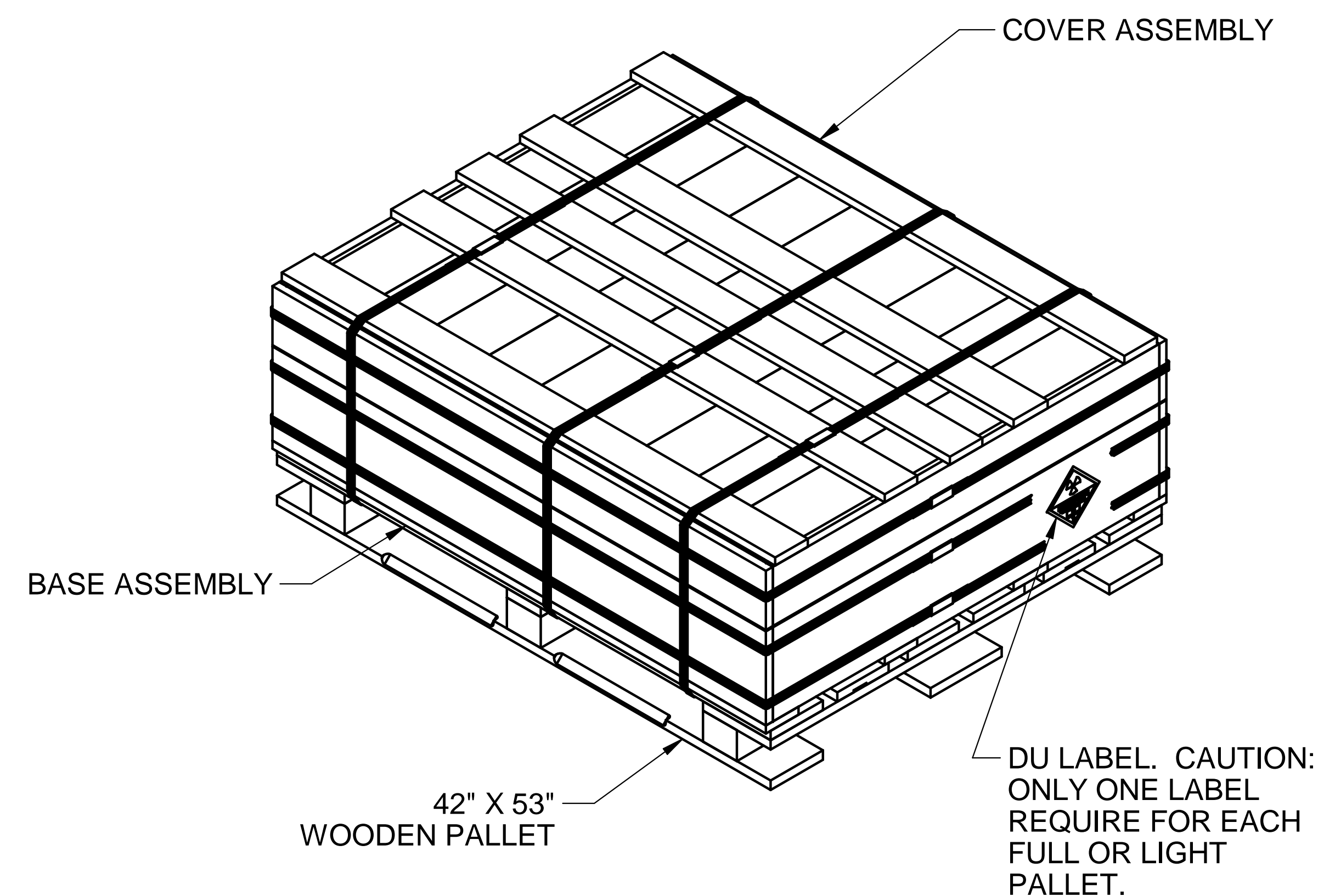
**FIGURE 2**

CARTRIDGE, 25MM, PACKED 30 PER PA125 METAL BOX. SEE AMC 19-48-4232/17. NOTE: THE PLACEMENT OF THE DU LABEL IN FIGURE 2 ABOVE IS AN EXCEPTION TO THE GENERAL REQUIREMENTS OF CFR 49, HOWEVER, THE EXCEPTION IS NECESSARY FOR THIS PARTICULAR PALLET UNIT CONFIGURATION. THIS DEVIATION IS AUTHORIZED WITHIN CFR 49 §§ 172.406(a)(ii).



**FIGURE 3**

CARTRIDGE, 120MM, PACKED 1 PER PA116 OR PA171 CYLINDRICAL METAL CONTAINER. SEE AMC 19-48-4231/48 OR AMC 19-48-4079/7.



**FIGURE 4**

CARTRIDGE, 25MM, PACKED 30 PER M621 CONTAINER. SEE AMC 19-48-4116/17.

DISTRIBUTION STATEMENT A.  
APPROVED FOR PUBLIC RELEASE;  
DISTRIBUTION IS UNLIMITED.

DATE 10-02-01	PROJECT ENGINEER Tran	DESIGN ACTIVITY U.S. ARMY COMBINED ARMS SUPPORT COMMAND DEFENSE AMMUNITION CENTER (DAC) MCALESTER, OKLAHOMA 74501-9053	
TEST REPORT NA	TEST ENGINEER Barickman	<b>RADIOACTIVE YELLOW-II LABEL PLACEMENT</b>	
SUBMITTED Laurie Fieffer CHIEF, EXPLOSIVES SAFETY ENGINEERING DIVISION			
APPROVED BY ORDER OF COMMANDING GENERAL, U.S. ARMY MATERIAL COMMAND Jerry Beaver DEPUTY DIRECTOR FOR EXPLOSIVE SAFETY		SCALE D	CAGE 28620
Gary Carney		DRAWING No. ACV00832	REV. B
		SCALE NONE	UNIT WT SHEET 2 OF 2