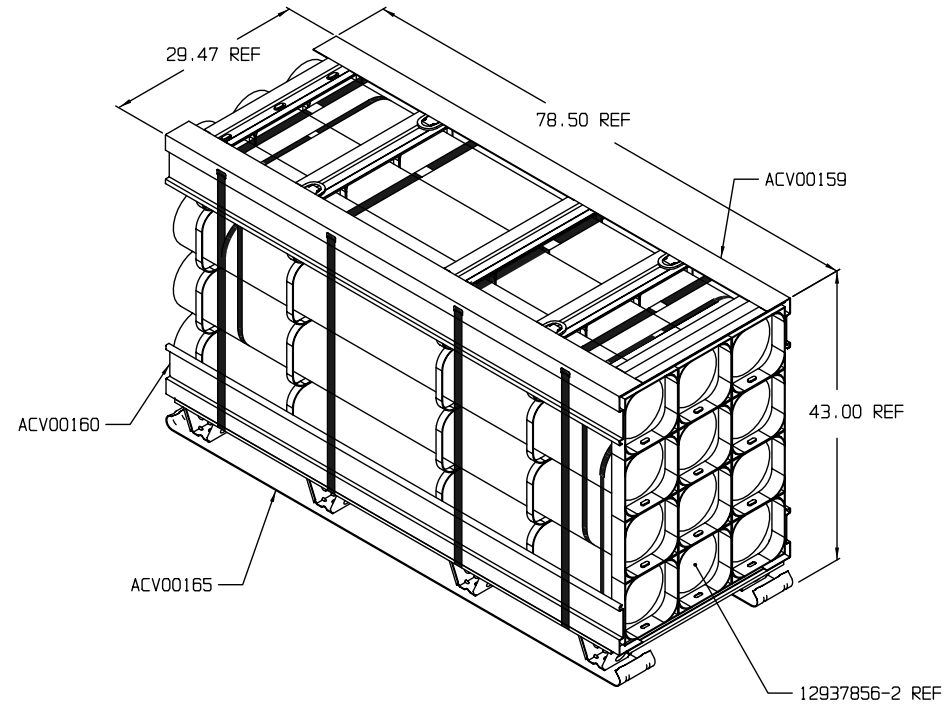


REVISION				
LTR	DESCRIPTION	DATE	DATE	APPROVED
-	PRODUCT BASELINE ERR MAR2001	94-03-25	94-03-25	SCHULTZ
A	NDR MST3003 (ECP M6R3004)	95-06-22 96-02-22	96-04-11	MICHELS
B	ECP R6R3014	98-09-01	98-09-24	BARTOSIAK
C	ECP ROK3004	00-08-09	01-07-20	



COMBINATION OF ADOPTED ITEMS	PART NO
PALLET - SPECIAL SIZE 78.50 X 29.31 SHEET METAL	ACV00165
TOP ASSEMBLY - PALLET ADAPTER PA150 CONTAINER	ACV00159
BOTTOM ASSEMBLY - PALLET ADAPTER PA150 CONTAINER	ACV00160
UNITIZATION DRAWING	19-48-4231/60-20PM1006

DISTRIBUTION STATEMENT A.

APPROVED FOR PUBLIC RELEASE;
DISTRIBUTION IS UNLIMITED.

UNLESS OTHERWISE NOTED DIMENSIONS ARE IN INCHES. SHARP CORNERS AND EDGES.		DATE 94-03-25	DESIGN ACTIVITY U.S. ARMY OPERATIONS SUPPORT COMMAND DEFENSE AMMUNITION CENTER MCLESTER, OK 74501-9053	
TOLERANCES ON FRACTIONS _____ DECIMALS _____		DESIGNER B.J.K. S.M.S. SCHULTZ	COMBINATION OF ADOPTED ITEMS, PALLET AND PALLET ADAPTER, UNITIZATION OF PA150 CONTAINER	
MATERIAL 2.75 HYDRA ROCKET		SKETCHED BY J.S.J.K. T. J. MICHELS CHIEF, SUPPLY ENGINEERING DIV	SIZE D 28620	
NEXT ASSY USED ON		SUBMITTED BY W. F. ERNST CHIEF, LOGISTICS ENGINEERING OFFICE	CAGE CODE 28620	
APPLICATION		APPROVED BY WILLIAM F. ERNST GENERAL, U.S. ARMY AMMUNITION CENTER	SCALE 1/8	UNIT WT
				SHEET 1 OF 1