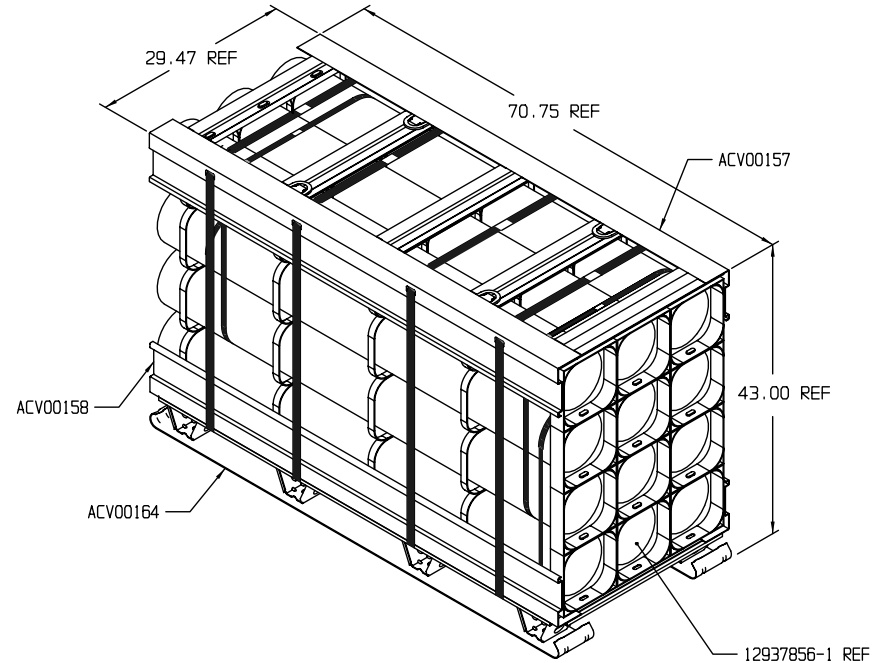


REVISION			
LTR	DESCRIPTION	DATE	APPROVED
-	PRODUCT BASELINE ERR MAR2001	94-03-25	94-03-25 SCHULTZ
A	NDR M5T3003 (ECP M6R3004)	95-06-22 96-02-22	96-04-11 MICHELS
B	ECP R6R3014	98-09-01	98-09-24 BARTOSIAK
C	ECP ROK3004	00-08-09	01-07-20

COMBINATION OF ADOPTED ITEMS	PART NO
PALLET - SPECIAL SIZE 70.75 X 29.31 SHEET METAL	ACV00164
TOP ASSEMBLY - PALLET ADAPTER PA151 CONTAINER	ACV00157
BOTTOM ASSEMBLY - PALLET ADAPTER PA151 CONTAINER	ACV00158
UNITIZATION DRAWING	19-48-4231/61-20PM1006



DISTRIBUTION STATEMENT A.

APPROVED FOR PUBLIC RELEASE;
DISTRIBUTION IS UNLIMITED.

UNLESS OTHERWISE NOTED DIMENSIONS ARE IN INCHES. SHARP CORNERS AND EDGES.		DATE 94-03-25	DESIGN ACTIVITY U.S. ARMY OPERATIONS SUPPORT COMMAND DEFENSE AMMUNITION CENTER MCLESTER, OK 74501-9053	
TOLERANCES ON FRACTIONS _____ DECIMALS _____		DESIGNER B.J.K. SMS SCHULTZ	COMBINATION OF ADOPTED ITEMS, PALLET AND PALLET ADAPTER, UNITIZATION OF PA151 CONTAINER	
MATERIAL 2.75 HYDRA ROLKET		SKETCHED BY J.S.J.K. T. J. MICHELS CHIEF, SUPPLY ENGINEERING DIV	SIZE D	CAGE CODE 28620
NEXT ASSY USED ON	APPROVED BY WILLIAM F. ERNST CHIEF, LOGISTICS ENGINEERING OFFICE GENERAL, U.S. ARMY MATERIEL COMMAND (AMC)	SUBMITTED BY W. F. ERNST	SCALE 1/8	UNIT WT
APPLICATION		U.S. ARMY DEFENSE AMMUNITION CENTER		SHEET 1 OF 1