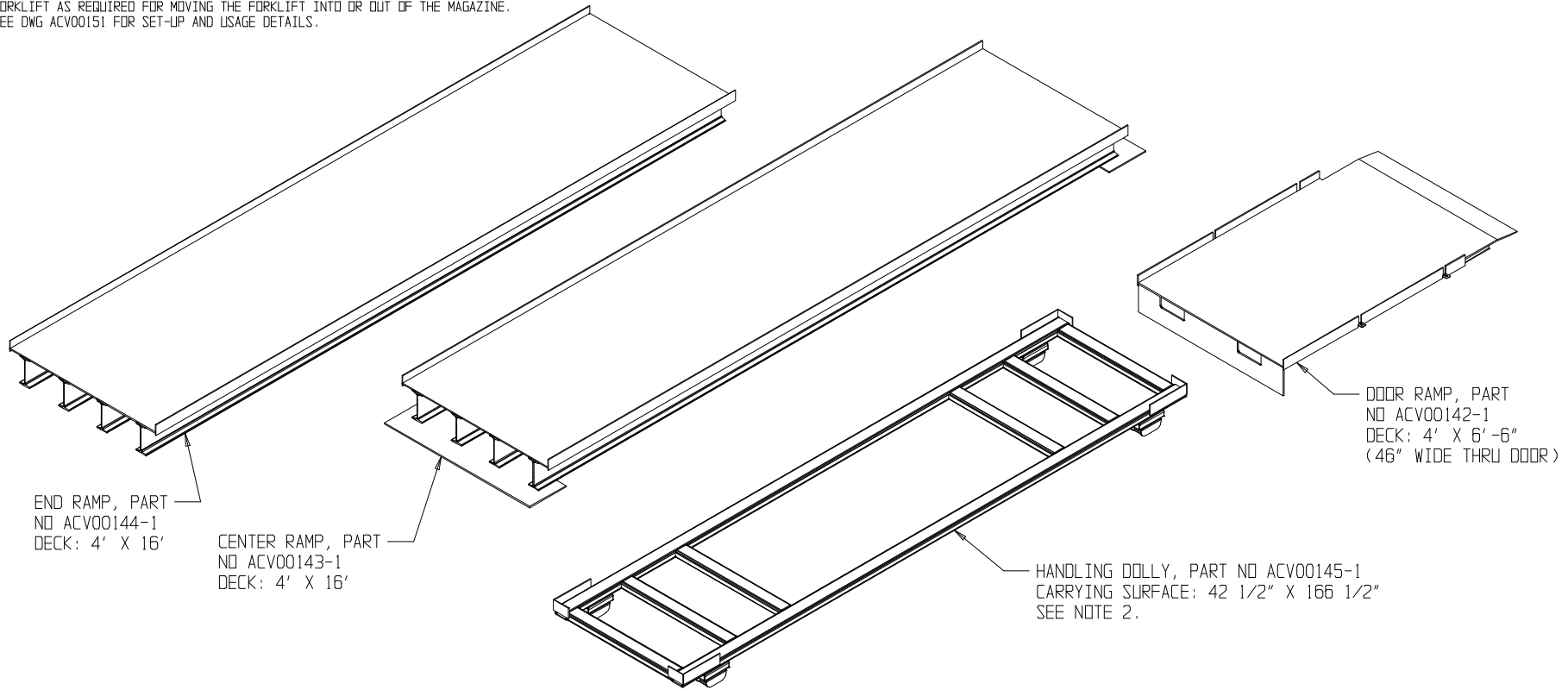


NOTES:

1. CREDIT IS GIVEN TO SAVANNA ARMY DEPOT ACTIVITY FOR THE ORIGINAL DESIGN AND PROTOTYPE USAGE. THE ORIGINAL DESIGN HAS BEEN USED TO MOVE OVER 6,000 MLRS PODS IN A COMBINATION OF STORAGE AND OUT LOADING OPERATIONS.
2. THE HANDLING FRAME MAY FIT OTHER MISSILE SYSTEM CONTAINERS AS DESIGNED, OR A MODIFIED DESIGN MAY BE REQUIRED AS NEEDED. THE RAMP DESIGN WOULD REMAIN THE SAME. A MODIFIED FRAME MAY ALSO BE USED TO HANDLE OTHER MUNITION PALLETES SUCH AS 2,000 LB BOMBS.
3. THE RAMP SECTIONS ARE DESIGNED TO SUPPORT AN EMPTY 6,000 LB CAPACITY ELECTRIC FORKLIFT AS REQUIRED FOR MOVING THE FORKLIFT INTO OR OUT OF THE MAGAZINE. SEE DWG ACV00151 FOR SET-UP AND USAGE DETAILS.

REVISION			
LTR	DESCRIPTION	DATE	APPROVED
XA	RELEASED FOR LOCAL MFG.	92-10-23	SPRAGUE



TOP SHEET DRAWING

UNLESS OTHERWISE NOTED DIMENSIONS ARE IN INCHES. BREAK SHARP CORNERS AND EDGES.		DATE	DESIGN ACTIVITY	
TOLERANCES IN		91-03-29	U.S. ARMY ARMAMENT, MUNITIONS AND CHEMICAL COMMAND DEFENSE AMMUNITION CENTER AND SCHOOL SAVANNA, ILLINOIS 61074-9639	
FRACTIONS	±	DRAWN	JMS	PREP ENGR
DECIMALS	±	CHKD	THOMAS J MICHELS	
ANGLES	±	CHIEF, SUPPLY ENGINEERING DIV		
MATERIAL		SUPPLIER	WILLIAM F ERNST	
		CHIEF, LOGISTICS ENGINEERING OFFICE		
		APPROVED BY OFFICE OF CONSTRUCTION	WILLIAM F ERNST	
		GENERAL, U.S. ARMY MATERIAL COMMAND (AMEC)		
APPLICATION		U.S. ARMY DEFENSE AMMUNITION CENTER AND SCHOOL	SIZE	CAGE CODE
			D	28620
			SCALE	NONE
			UNIT WT	
				SHEET 1 OF 1

(L250) ARCHIVE SEP 1995; "JOHN S" OPTICAL DISK \MLRSRAMP.ZIP\ V140-.PRT M.R.