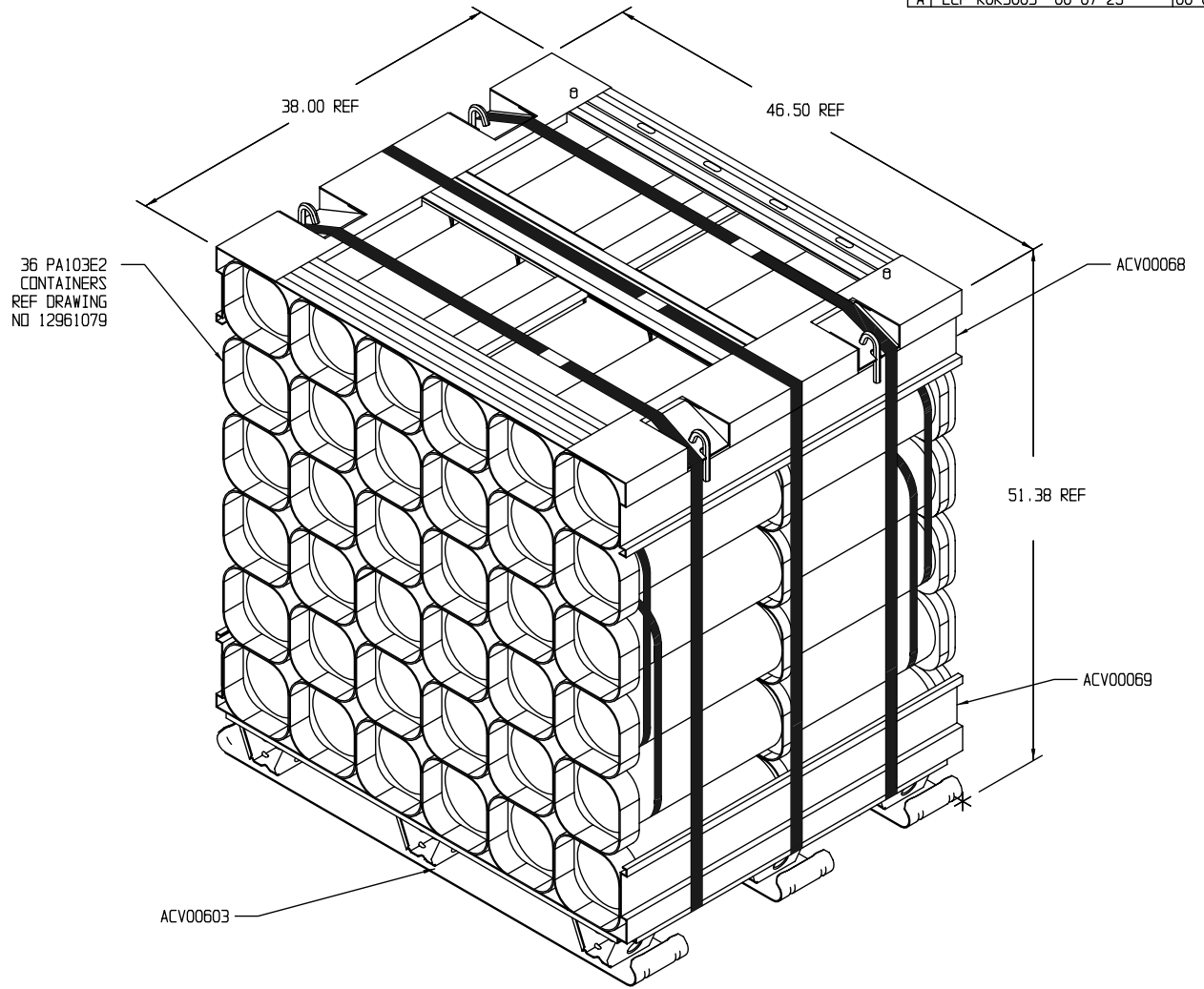


| REVISION |                  |          |           |
|----------|------------------|----------|-----------|
| LTR      | DESCRIPTION      | DATE     | APPROVED  |
| -        | PRODUCT BASELINE |          |           |
|          | ERR RBT2002      | 97-11-04 | BARTOSIAK |
| A        | ECP ROK3003      | 00-07-25 | 00-08-22  |



| COMBINATION OF ADOPTED ITEMS                             | PART NO                 |
|--|-------------------------|
| PALLET - SPECIAL SIZE 46.50 X 38.00 FOR MACS SHEET METAL | ACV00603                |
| TOP ASSEMBLY - PALLET ADAPTER PA103E2 CONTAINER          | ACV00068                |
| BOTTOM ASSEMBLY - PALLET ADAPTER PA103E2 CONTAINER       | ACV00069                |
| UNITIZATION DRAWING (ARMY)                               | 19-48-4231/50A-20PM1006 |

PART NO SEE TABLE

|   |         |  |                       |  |           |
|---|---------|--|-----------------------|--|-----------|
| UNLESS OTHERWISE NOTED DIMENSIONS ARE IN INCHES. SHARP CORNERS AND EDGES. |         | DATE   | 97-11-04              | DESIGN ACTIVITY  |           |
| TOLERANCES ON FRACTIONS ± .06   |         | DESIGNER   | SMS BARTOSIAK         | U. S. ARMY OPERATIONS SUPPORT COMMAND DEFENSE AMMUNITION CENTER MCALISTER, OKLAHOMA 74501-9053 |           |
| TOLERANCES ON DECIMALS ± .06  |         | SEALING-DRY  | JHKJEJA T. J. MICHELS | COMBINATION OF ADOPTED ITEMS, PALLET & PALLET ADAPTER, UNITIZATION OF PA103E2 CONTAINER        |           |
| MATERIAL  |         | SUBMITTED BY   | WILLIAM F. ERNST      | SIZE   | CAGE CODE |
| MACS  |         | APPROVED BY  | ARTHUR J. PODSIADLO   | D  | 28620     |
| NEXT ASSY   | USED ON | GENERAL, U. S. ARMY MATERIEL COMMAND DEFENSE AMMUNITION CENTER |                       | SCALE  | UNIT WT   |
| APPLICATION   |         |  |                       | 1/5  |           |
|   |         |  |                       | SHEET  | 1 OF 1    |

DISTRIBUTION STATEMENT A.

APPROVED FOR PUBLIC RELEASE; DISTRIBUTION IS UNLIMITED.