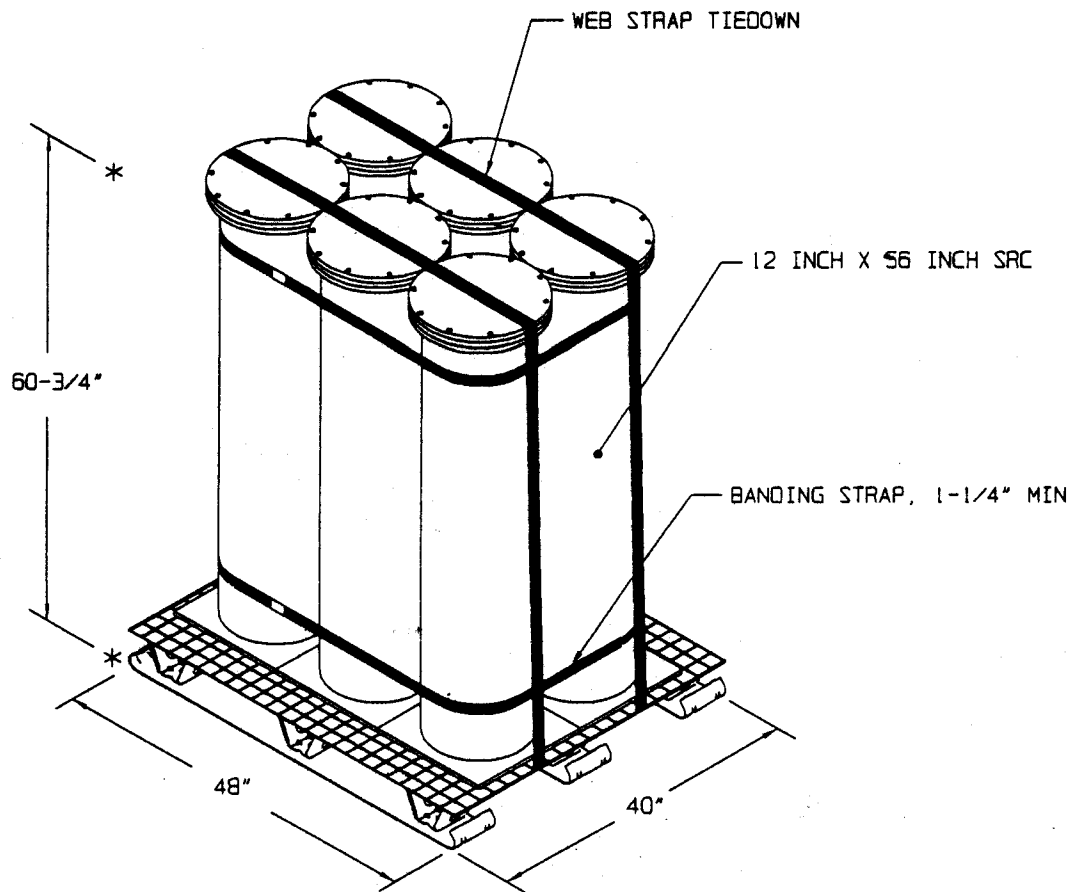


UNITIZATION OF SIX 12-INCH X 56-INCH SINGLE ROUND CONTAINERS (SRC s) ON 40 X 48 INCH, MK 3, MOD 0, NAVY METAL PALLET

PROCEDURES SPECIFIED HEREIN ARE FOR STORAGE AND INTRA-INSTALLATION MOVEMENT ONLY.

DEPARTMENT OF THE ARMY			
DRAFTSMAN	INGEBORG DEPPE	SUPPLY ENGINEERING DIVISION	<i>J. J. Muehle</i>
ENGINEER	M. DAEUMER	VALIDATION ENGINEERING OFFICE	<i>James H. Keshen</i>
CHAIRMAN, CHEM-CNT-PAT-AMSCR-SD <i>[Signature]</i>		TRANSPORTATION ENGINEERING DIVISION	<i>W. R. French</i>
APPROVED BY ORDER OF COMMANDING GENERAL, U.S. ARMY MATERIEL COMMAND <i>[Signature]</i>		LOGISTICS ENGINEERING OFFICE	<i>W. F. Ernst</i>
		JANUARY 1998	
		DRAWING NUMBER DA-100/3	
DEFENSE AMMUNITION CENTER			



6 SRC PALLET UNIT

MATERIAL SPECIFICATION

STRAPPING, STEEL --: ASTM 03953; FLAT STRAPPING, TYPE I,
HEAVY DUTY, FINISH B (GRADE 2),
SIZE 1-1/4" X .035" OR .031".

SEAL, STRAP - - - : ASTM 03953; CLASS H, FINISH B,
(GRADE 2) DOUBLE NOTCH TYPE,
STYLE I, II, III, OR IV.

SPECIAL NOTES:

1. ALL OPERATIONS WILL BE PERFORMED IN ACCORDANCE WITH APPLICABLE REGULATIONS AND APPROVED STANDING OPERATING PROCEDURES.
2. BUNDLE THE SIX SRCS WITH 2 STEEL STRAPS (1-1/4" MIN WIDTH) APPROXIMATELY 4 INCHES FROM THE TOP AND BOTTOM.
3. PRIOR TO MOVEMENT, 2 WEB STRAPS WILL BE USED TO SECURE THE SRCS TO THE PALLET.
4. WEB STRAPS MAY BE REMOVED IN STORAGE.
5. STACKING OF PALLETIZED UNITS IS NOT PERMITTED FOR MOVEMENT OR IN STORAGE.

PALLET UNIT DETAIL