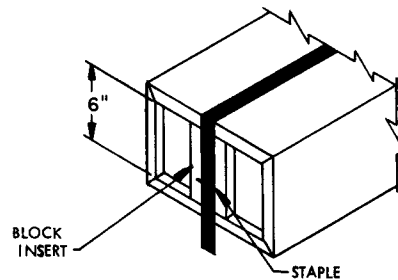




### GENERAL NOTES

- A. PALLETIZATION PROCEDURES SHOWN HEREON SUPERSEDE THOSE SHOWN IN DRAWING 19-48-4020-1-2-5-11PA1000, REVISION 1, DATED JUNE 1968.
- B. THE UNIT LOAD WILL BE CENTERED ON THE PALLET, AND STRAPS APPLIED IN AS NEAR DIRECT VERTICAL OR HORIZONTAL ALIGNMENT AS POSSIBLE.
- C. IF POSITIONING OF INBOARD STRAPS AS SPECIFIED DOES NOT PRECLUDE BREAKAGE OR DEFORMATION OF THE BOX BATTENS, A FILLER BLOCK 1" X 3" X 6" LONG MAY BE INSERTED BETWEEN BATTENS IN THE BOX END (SEE DETAIL A). BLOCKS, IF REQUIRED, WILL BE USED IN THE INBOARD BOXES IN THE TOP AND BOTTOM LAYERS ONLY. ONE STAPLE WILL BE USED TO SECURE THE BLOCK TO THE STRAP.
- D. STRAP A ALTERNATE AND STRAP B WILL BE USED WHEN APPLYING STRAPS WITH FULLY AUTOMATED STRAPPING EQUIPMENT, AND STRAPS A AND B WILL BE USED WHEN APPLYING STRAPS USING MANUAL OR SEMI-AUTOMATIC STRAPPING EQUIPMENT.



DETAIL A

( SEE GENERAL NOTE C )

### MATERIAL SPECIFICATIONS

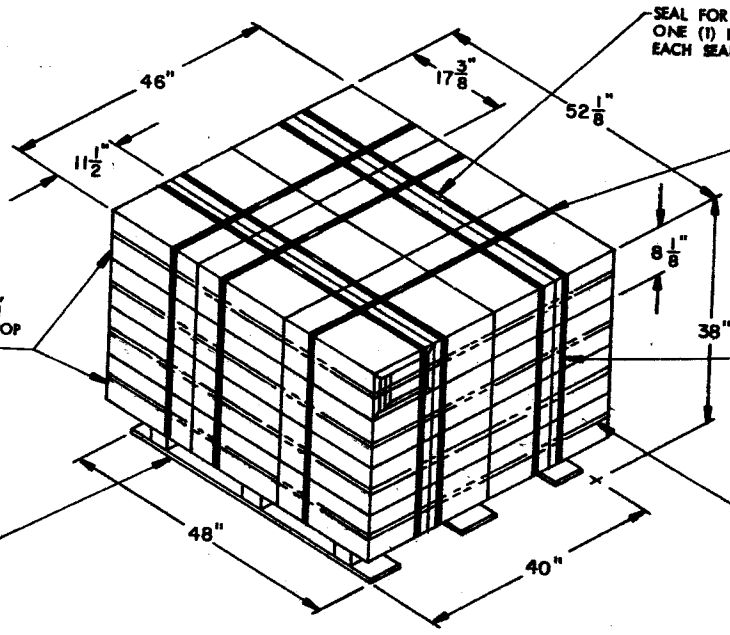
- PALLET:** STYLE 1, "GENERAL STORAGE", SEE MIL-P-15011.
- STRAPPING:** CLASS 1, TYPE I OR IV, HEAVY DUTY, FINISH A OR B, GRADE 2, FEDERAL SPECIFICATION QQ-S-781. (1-1/4" X .031" OR .035")
- STRAP SEALS:** TYPE D, STYLE I, II, OR IV, CLASS H, FED-SPEC QQ-S-781.

### REVISIONS

1. REVISION NO. 1 DATED MARCH 73.
2. REVISION NO. 2 DATED APRIL 75 CONSISTED OF:
  - A. THE ADDITION OF TWO STRAPS ON THE 40" DIM. OF METHOD A.
  - B. ADDITION OF METHOD B.

POSITION THE THREE OUTBOARD BOXES ON EACH END OF BOTTOM LAYER WITH TOP OF BOX DOWNWARD, AND THE THREE OUTBOARD BOXES ON EACH END OF THE TOP LAYER WITH TOP UPWARD.

PALLET, 40" X 42" 4 WAY



**FOUR LAYER PALLET LOAD**

48 BOXES - MAXIMUM WEIGHT - 4,000 LBS (INCLUDING PALLET) CUBE - 52.73 FT.

SEAL FOR 1-1/4" STRAPPING (7 REQD). ONE (1) PER STRAP, 2 PAIR NOTCHES EACH SEAL.

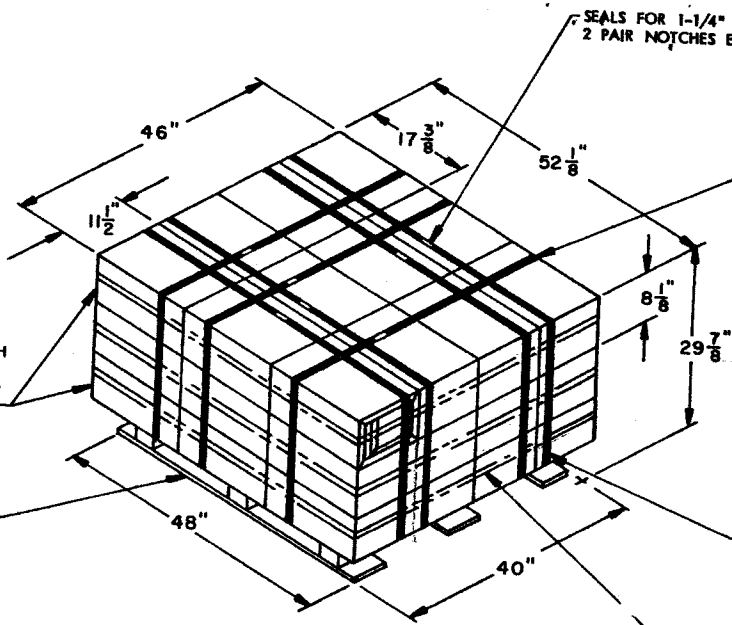
**STRAP B**  
STRAPPING, STEEL, SIZE 1-1/4" X .035" X 13'-6" LONG (3 REQD). LOCATE STRAPS APPROXIMATELY 2" FROM PALLET POSTS. STRAPS TO PASS UNDER TOP DECK OF PALLET. SEE GENERAL NOTE D, PAGE 2.

**STRAP A**  
STRAPPING, STEEL, SIZE 1-1/4" X .035" X 16'-0" LONG (4 REQD). LOCATE APPROXIMATELY 2-1/2" FROM EDGE OF BOX TO PRECLUDE DEFORMATION AND/OR BREAKAGE OF BOX BATTENS. PRE-POSITION ON PALLET AS SHOWN. SEE GENERAL NOTE D ON PAGE 2.

**STRAP A ALTERNATE**  
STRAPPING, STEEL, SIZE 1-1/4" X .035" X 17'-0" LONG (4 REQD). LOCATE ON APPROX. CENTER OF BOX. THESE STRAPS MAY BE APPLIED IN LIEU OF STRAPS A. SEE GENERAL NOTE D ON PAGE 2.

POSITION THE THREE OUTBOARD BOXES ON EACH END OF BOTTOM LAYER WITH TOP OF BOX DOWNWARD, AND THE THREE OUTBOARD BOXES ON EACH END OF TOP LAYER WITH TOP OUTWARD.

PALLET, 40" X 48", 4 WAY



**THREE LAYER PALLET LOAD**

36 BOXES - MAXIMUM WEIGHT - 4,000 LBS (INCLUDING PALLET) CUBE - 41.45 FT

SEALS FOR 1-1/4" STRAPPING (7 REQD). ONE (1) PER STRAP, 2 PAIR NOTCHES EACH SEAL.

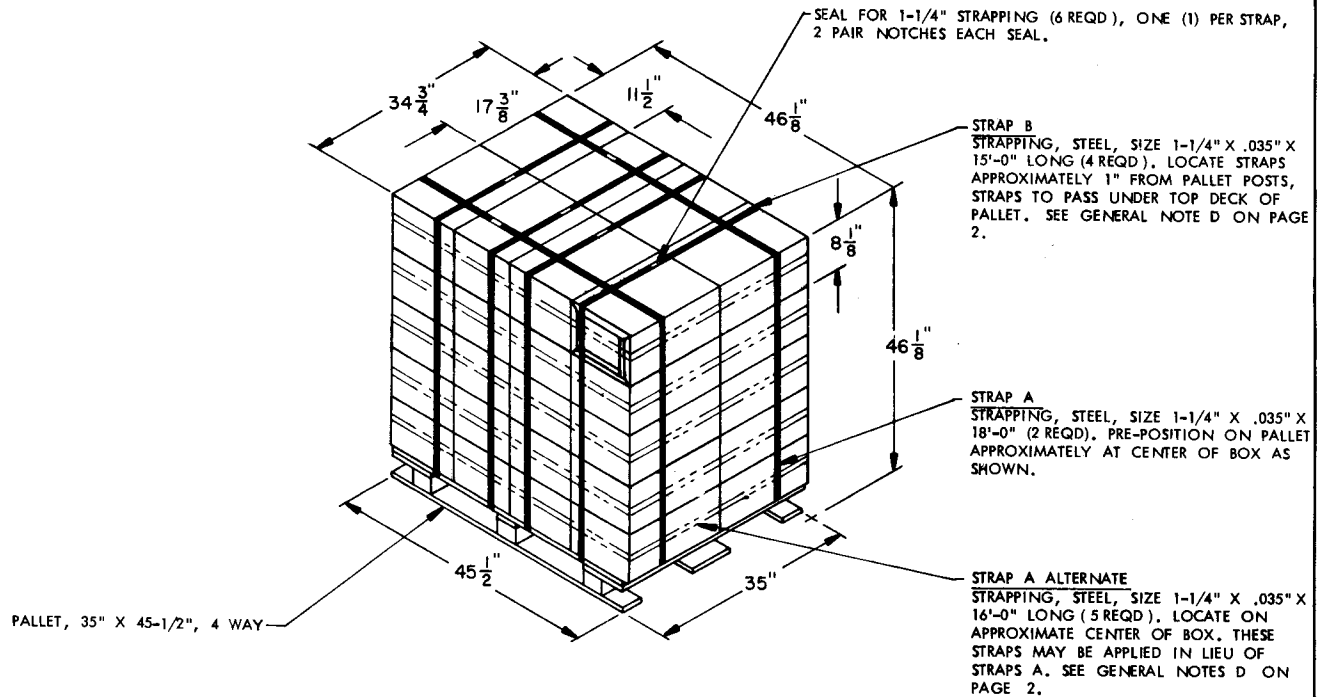
**STRAP B**  
STRAPPING, STEEL, SIZE 1-1/4" X .035" X 13'-0" LONG (3 REQD). LOCATE STRAPS APPROXIMATELY 2" FROM PALLET POSTS. STRAPS TO PASS UNDER TOP DECK OF PALLET. SEE GENERAL NOTE D ON PAGE 2.

**STRAP A**  
STRAPPING, STEEL, SIZE 1-1/4" X .035" X 14'-0" LONG (4 REQD). POSITION EACH STRAP APPROXIMATELY 2-1/2" FROM EDGE OF BOX TO PRECLUDE DEFORMATION AND/OR BREAKAGE OF BOX BATTENS. PRE-POSITION ON PALLET AS SHOWN. SEE GENERAL NOTE D ON PAGE 2.

**STRAP A ALTERNATE**  
STRAPPING, STEEL, SIZE 1-1/4" X .035" X 17'-0" (3 REQD), LOCATE APPROXIMATELY ON CENTER OF BOX. THESE STRAPS MAY BE APPLIED IN LIEU OF STRAPS A. SEE GENERAL NOTE D, ON PAGE 2.

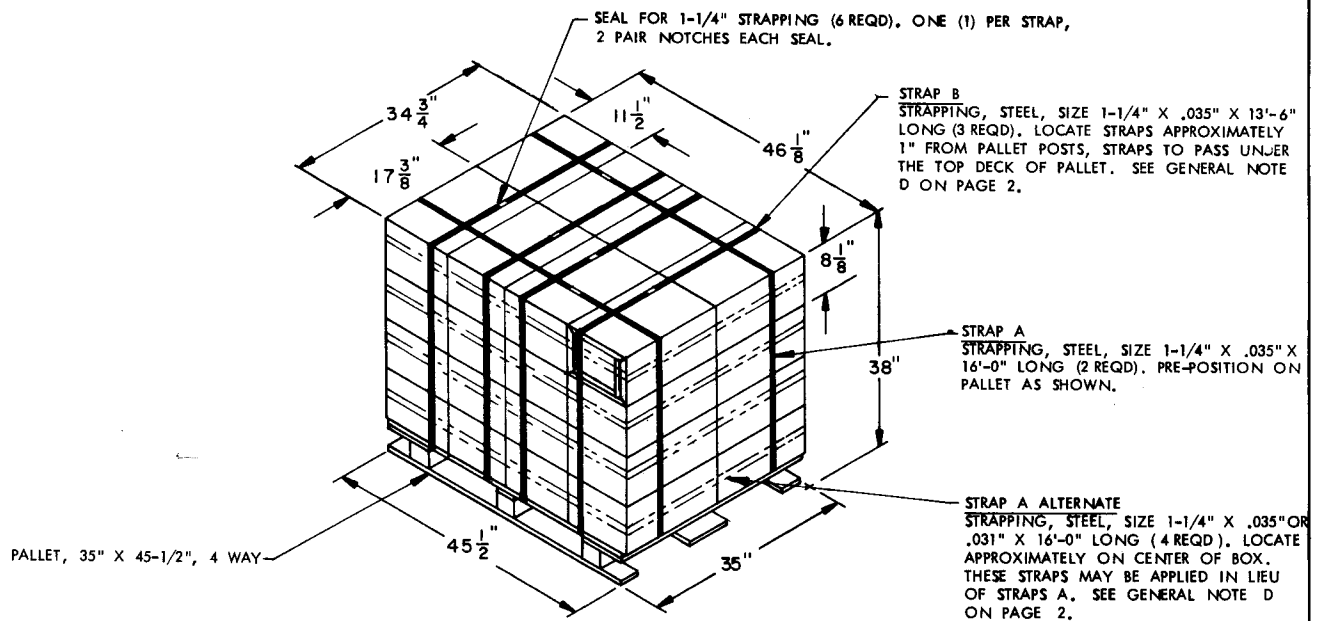
**METHOD A**

(40" X 48" - 4 WAY PALLET)



#### FIVE LAYER PALLET LOAD

40 BOXES MINIMUM WEIGHT - 4,000 LBS  
(INCLUDING PALLET). CUBE - 43.09 CU. FT.



#### FOUR LAYER PALLET LOAD

32 BOXES - MAXIMUM WEIGHT - 4,000 LBS  
(INCLUDING PALLET), CUBE 35.44 CU. FT.

#### METHOD B

(35" X 45-1/2" - 4 WAY PALLET)