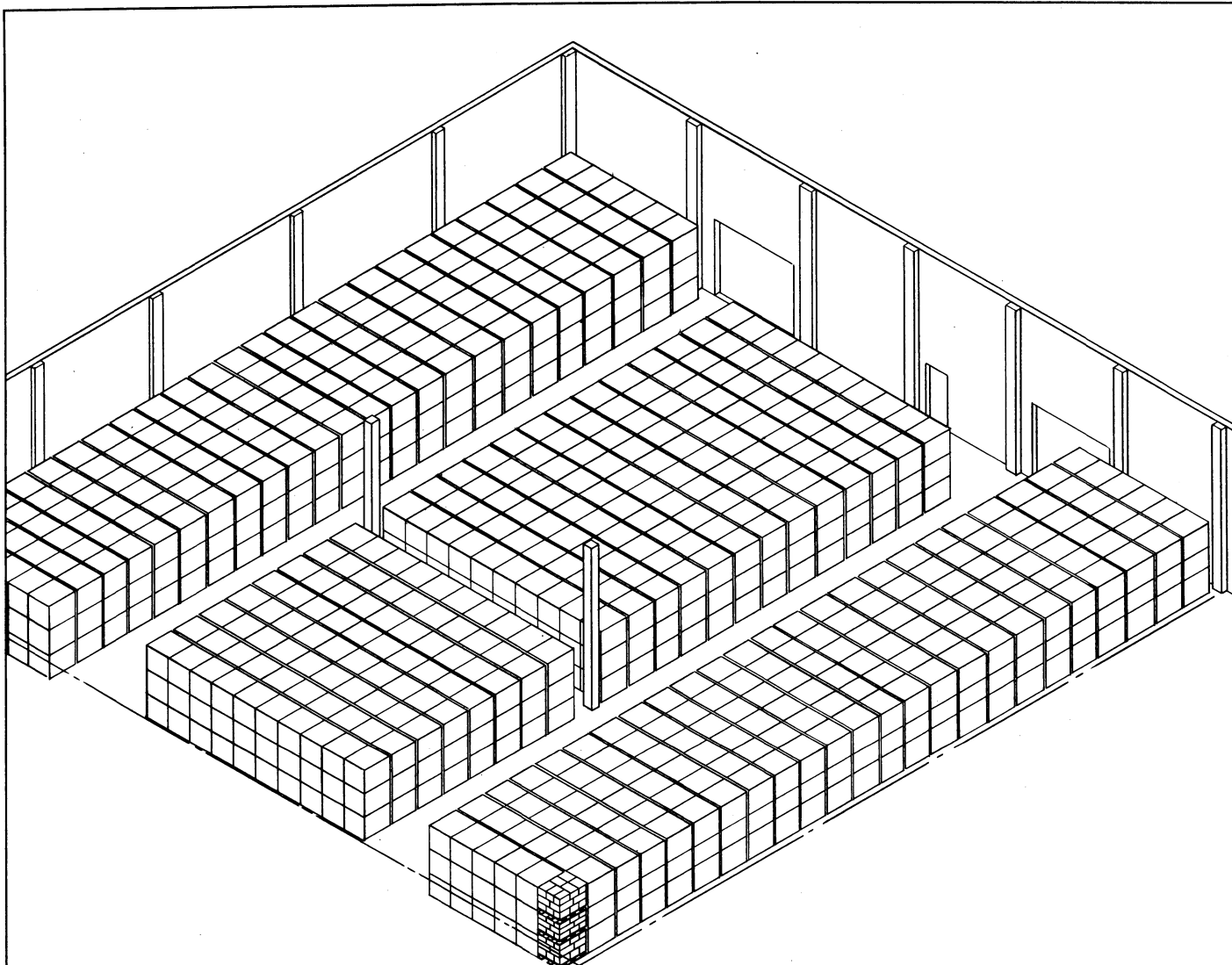


STORAGE IN WAREHOUSE OF BATTERY, STORAGE, BB 401/U,
 PACKED FOUR PER WOODEN BOX (PALLETIZED) FOR THE
 NIKE-AJAX AND NIKE-HERCULES GUIDED MISSILES

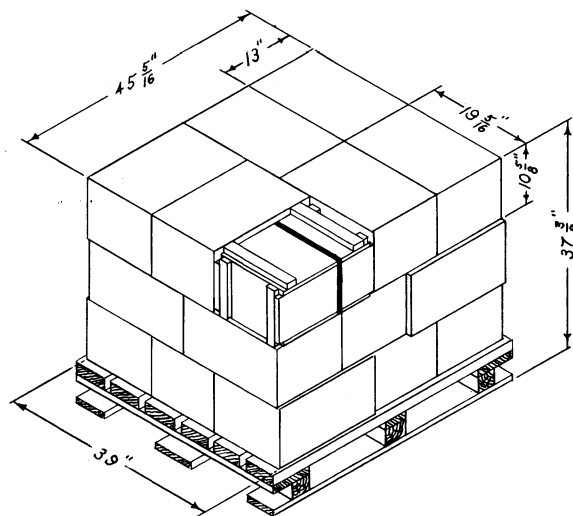
DRAFTSMAN G.B.F.	TRACER	ENGINEER DIW/DHJ	SUBMITTED <i>Andrew W. Heid</i>	
CHECKER RHA	CHECKER <i>ADP</i>	ENGINEER	COLONEL ORDN. CORPS U.S.A.	
REVISIONS			EXAMINED <i>John Taylor</i>	
2	8-1-62	<i>W.F. GWP</i>	ANDREW W. HEID ORDN. CORPS U.S.A.	
			APPROVED BY ORDER OF THE CHIEF OF ORDNANCE <i>Andrew W. Heid</i> ORDN. CORPS U.S.A.	
			ORDNANCE CORPS U.S.A.	
			15 NOVEMBER 1954	
			CLASS	DIVISION
			DRAWING	FILE
			19	48
			5013	GM IOA6



ϕ OF WAREHOUSE
 ϕ OF WAREHOUSE

ISOMETRIC VIEW

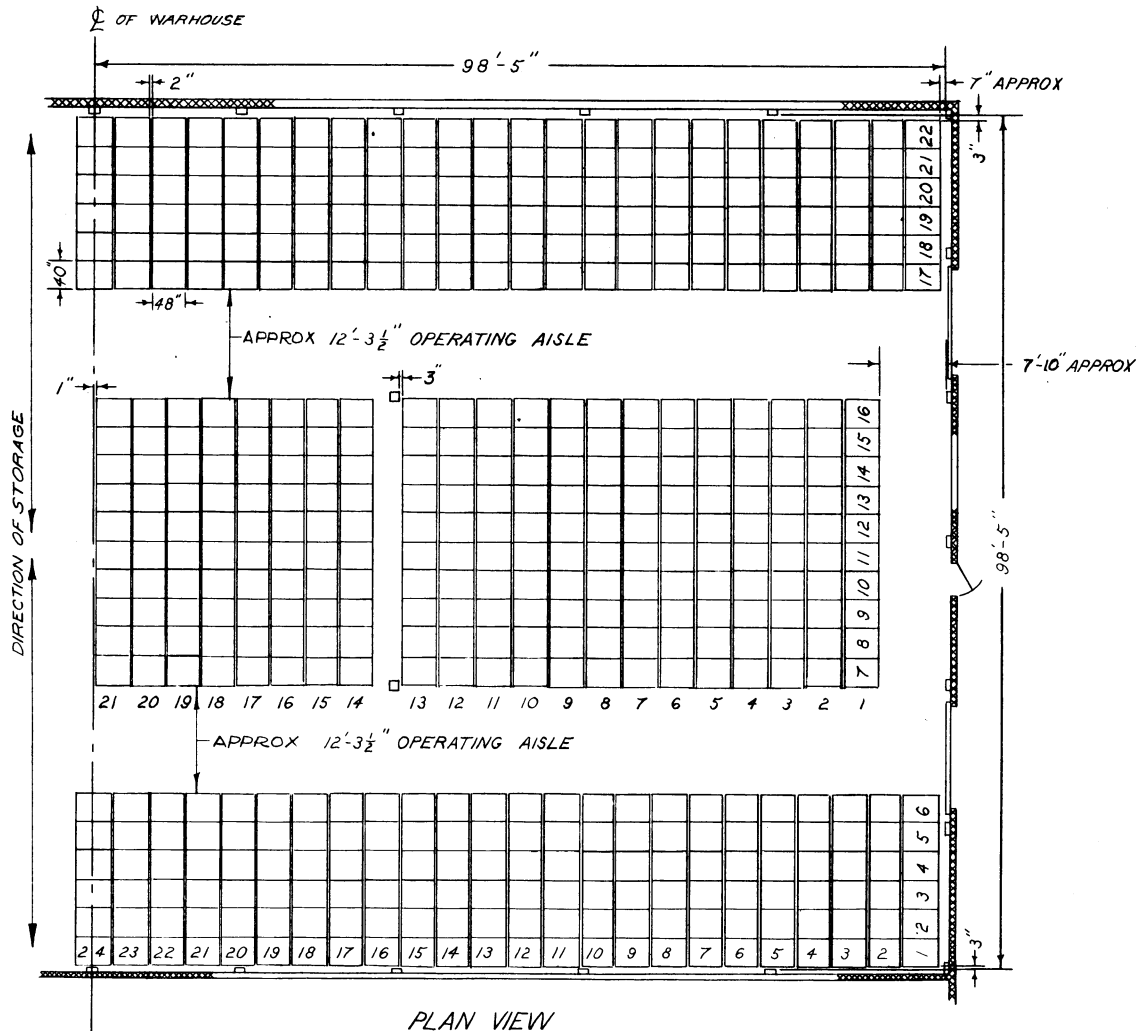
1/4 WAREHOUSE



PALLET LOAD

21 BOXES

WT - 1,442 LBS W/PALLET



PLAN VIEW
1/4 WAREHOUSE

GENERAL NOTES

- A. FOR DETAIL OF BOX SEE DRAWING NO. 8026371
BOX DIMENSIONS - 19-5/16" LONG x 13" WIDE x 10-5/8" HIGH.,
GROSS WEIGHT - 65 LB S (APPROX).
- B. DIMENSIONS OF OPERATING AISLES SHOWN HEREIN MAY BE ADJUSTED TO SUIT LOCALLY AVAILABLE WHE.
- C. THIS ITEM WILL BE STORED WITH TOP SIDE UP.
- D. DOUBLE FACED PALLETS OF SIZES OTHER THAN SHOWN HEREIN, WHICH ARE CURRENTLY ON HAND, MAY BE USED IF ADAPTABLE.
- E. CAUTION: THE NUMBER OF LAYERS PER PALLET AND PALLETS PER STACK IS LIMITED TO THREE (3) EACH.

MATERIAL SPECIFICATIONS

PALLETS: STANDARD, 40" x 48", 4 WAY ENTRY TYPE, SPEC MIL-P-15011C.

DO NOT SCALE

STORAGE AS SHOWN

(1/4 WAREHOUSE)

PALLETS	BOXES	BATTERIES
1,476	30,996	123,984

**STORAGE IN WAREHOUSE OF BATTERY, STORAGE, BB 401/U,
PACKED FOUR PER WOODEN BOX (PALLETIZED) FOR THE
NIKE-AJAX AND NIKE-HERCULES GUIDED MISSILES**

DRAFTSMAN G.B.F.	TRACER	ENGINEER DIW/DHN	SUBMITTED <i>Andrew W. Heid</i>
CHECKER RHA	CHECKER <i>AWP</i>	ENGINEER	COLONEL ORN. CORPS U.S.A.
REVISIONS			EXAMINED <i>John Taylor</i>
2	8-1-62	G.B.F. <i>Andrew W. Heid</i>	ORD. CORPS U.S.A.
			APPROVED BY ORDER OF THE CHIEF OF ORDNANCE <i>Andrew W. Heid</i>
			ORD. CORPS U.S.A.
			ORDNANCE CORPS U.S.A.
			15 NOVEMBER 1954
CLASS	DIVISION	DRAWING	FILE
19	48	5013	GM 10A6

