

REVISIONS			
ZONE	LTR	DESCRIPTION	DATE
REV D		SUPERSEDES SPCT 1325-00185, REV B & TPO 1325-926-1868, REV C	2-11-69
REV E		EOPA 55736-4/5-15-69	5-15-69
REV F		EOPA 57054-4/9-2-69	9-2-69

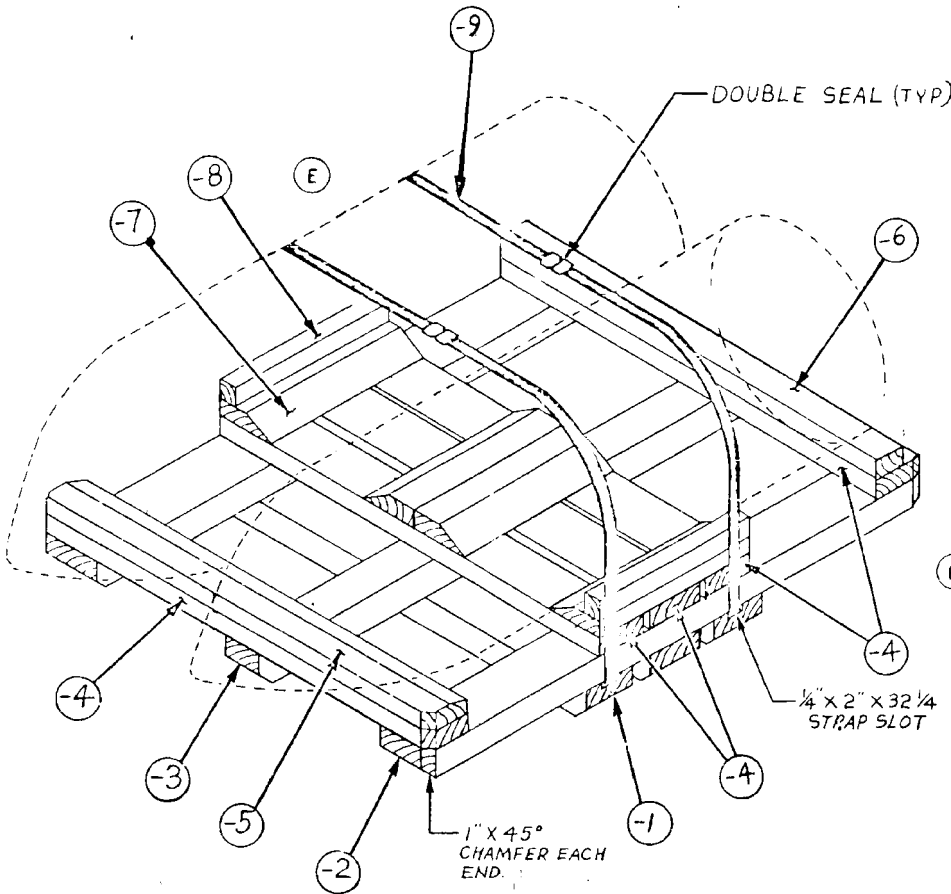
PRESERVATION & PACKAGING

LEVEL A IN A/W MIL-P-116 METHOD III
 LEVEL B IN A/W MIL-P-116 METHOD III
 LEVEL C
 CLEANING & DRYING IN A/W MIL-P-116
 PRESERVATION COMPOUND N/A
 AMOUNT OF DESICCANT N/A
 CLOSURE OR STRAPPING IN A/W THIS DRAWING
 MARKING IN A/W MIL-STD-129

SPECIAL MARKING

NOTES :

- 1. WOOD SHALL CONFORM TO MIL-STD-731, GROUP 2, CLASS 1 OR 2, EXCEPT MOISTURE CONTENT, PARAGRAPH 5.2 AND SUBPARAGRAPHS, SHALL NOT APPLY.
- 2. TOLERANCE FOR PALLET MATERIAL AND ASSEMBLY DIMENSIONS IS PLUS (+) OR MINUS (-) 1/4"



QTY	DESCRIPTION	SIZE	MATERIAL	SPECIFICATION
2	STRAPS (DOUBLE SEAL)	1/4 X 102 X .035	STEEL	QQ-S-781
2	CLEATS	2 X 2 NOM X 18		
4	CLEATS	2 X 6 X 18 (SEE DETAIL)		
1	AFT END STOP	2 X 4 NOM X 32 1/4		
1	NOSE END STOP	2 X 6 X 32 1/4 (SEE DETAIL)		
5	DECK BOARDS	2 X 6 X 32 1/4		
1	CENTER STRINGER	3 X 4 X 45 1/2		
2	END STRINGER	3 X 6 X 45 1/2		
3	SKIDS	3 X 6 X 32 1/4	WOOD	MIL-STD-731

NAILING INSTRUCTIONS

1. NAIL -1 TO -2 & -3 WITH 30d NAILS, 4 PER JOINT. (AVOID DRIVING NAILS INTO STRAP SLOT)
2. NAIL -4 TO -2 & -3 WITH 10d NAILS, 5 PER JOINT.
3. NAIL -5 TO -4 WITH 18 10d NAILS.
4. NAIL -6 TO -4 WITH 14 10d NAILS.
5. NAIL -7 TO -4 WITH 10d NAILS, 3 PER JOINT.
6. NAIL -8 TO -7 WITH 10d NAILS, 2 PER JOINT.

NOTE:

NAILS: COMMON, BOX, FED SPEC. FF-N-105
 ALTERNATIVE: ANNULAR-RING TYPE NAIL OF SAME SIZE.

1325-926-1868		
1325-028-5263		
1325-926-9305		
1325-143-6981		
1325-322-6386		
1325-028-5266		
1325-028-5264		
1325-935-9217		
1325-143-6948		
1325-143-6980		
1325-925-9102		

EXTERIOR CONTAINER		LIST OF MATERIALS						GROSS	
LEVEL	SPECIFICATION	SIZE I.D.	STYLE	TYPE	CLASS	VARIETY	GRADE	WT.	CU.
A	IN A/W THIS DWG.	SEE DETAIL						1626	23.88
B	IN A/W THIS DWG.	SEE DETAIL							
C									
AIR									

NET WT 1510 LBS OUTSIDE DIMENSIONS 56 1/4 X 32 1/4 X 22 3/4

QTY REQD	SYM	NOMENCLATURE	CODE IDENT	IDENTIFYING NO	SPECIFICATION	MATERIAL	UNIT WT	ZONE	F NO
----------	-----	--------------	------------	----------------	---------------	----------	---------	------	------

LIST OF MATERIALS			
UNLESS OTHERWISE SPECIFIED DIMENSIONS ARE IN INCHES		DATE 1/24/69	
TOLERANCES ON		DRAWN BY H Newey	
FRACTIONS	DECIMALS	CHECKED BY C R Roberts	
±	±	DATE 1/24/69	
±	±	DRAWING NO 1325-926-1868	
±	±	AF PROJ ENGR S. P. Boman	
MATERIAL		DATE 1/24/69	
		CONTRACT NUMBER	
		AF DESIGN ACTIVITY AUTHENTICATION	
		SIZE C	AF CODE IDENT NO
		DRAWING NUMBER TPO	
		1325-926-1868	
		SCALE NONE	SHEET 1 OF 2

U.S. AIR FORCE
OOAMA HILL AFB UTAH

BOMB GP M117
 750 LB

