

Code Ident
10001

Naval Ordnance Systems Command
Department of the Navy
WEAPONS REQUIREMENT, PALLETIZING
FLEET ISSUE UNIT LOAD

WR-54/31 B

25 JANUARY 1972
SUPERSEDING WR-54/31 A
4 DECEMBER 1967

**BOMB, GENERAL PURPOSE: 500 LB. MK 82 MOD 1
WITH METAL OR PLASTIC NOSE PLUGS
ON BOMB PALLET MK 9 MOD 0**

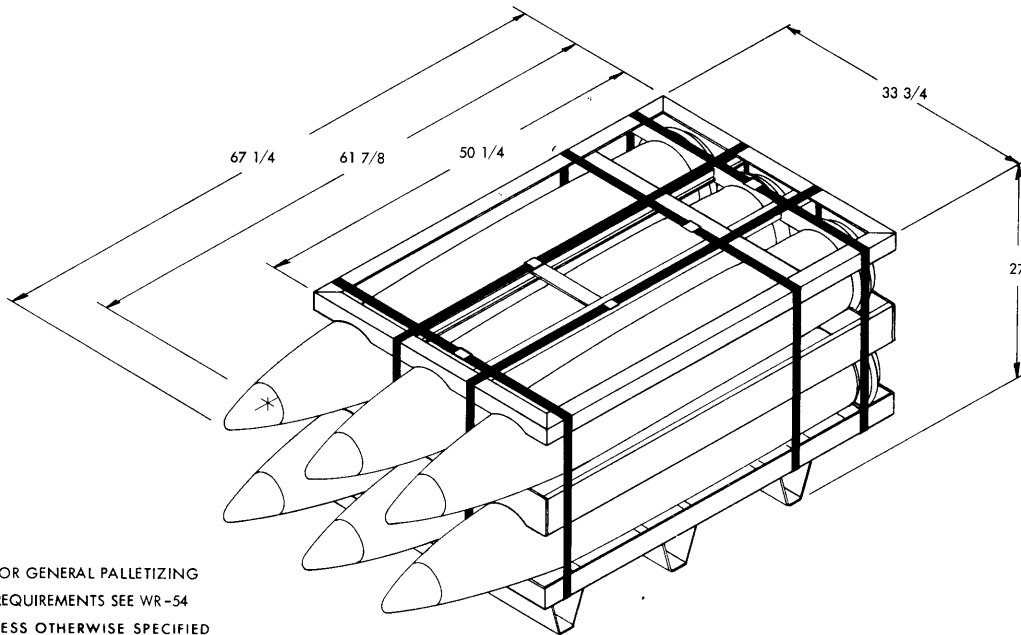
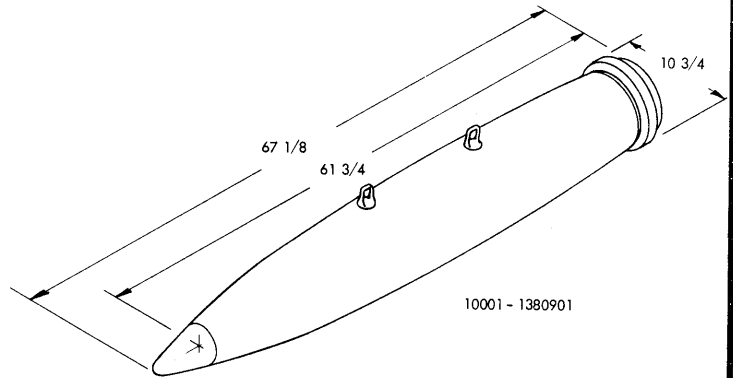
UNIT LOAD DATA

	NOSE PLUGS	
	PLASTIC	METAL
NUMBER OF BOMBS PER UNIT LOAD	6	6
GROSS WEIGHT OF ONE BOMB (ESTIMATED)	493.5 LBS	508.5 LBS
WEIGHT OF BOMB PALLET (ESTIMATED)	177 LBS	177 LBS
GROSS WEIGHT OF UNIT LOAD (ESTIMATED)	3138 LBS	3228 LBS
WEIGHT OF BOTTOM FRAME (ESTIMATED)	88 LBS	88 LBS
CUBE	32.5 CU FT	35.4 CU FT

DO NOT STACK MORE THAN
6 UNIT LOADS HIGH IN STORAGE

HAZARD CLASSIFICATION

DOT - CLASS A
CG - CLASS X-A



FOR GENERAL PALLETIZING
REQUIREMENTS SEE WR-54
UNLESS OTHERWISE SPECIFIED
DIMENSIONS ARE IN INCHES

WR NO.	ASSOCIATED PROCESS	REV LTR	REVISION DESCRIPTION	DATE	APPROVAL
		B	ADDED SUSPENSION LUGS.	1/20/72	MSG
		A	ADDED PLASTIC NOSE PLUGS.	1/20/72	MSG
				78A	SYSCOM

**THIS UNIT LOAD IS AUTHORIZED
AND RELEASED FOR** SHIPPING, HANDLING,
STORAGE AND TRANSFER-AT-SEA. IT MAY ALSO BE USED FOR
DOMESTIC SHIPMENT IN COMPLIANCE WITH DOT REGULATIONS.

M.S. Gray NWHL 1/20/72
SIGNATURE TECHNICAL DIRECTING ACTIVITY (TDA) DATE
J.E. Kelly 1/21/72
SIGNATURE (AIR) SYSCOM, BY DIRECTION DATE

ORIGINATOR *Charles McBride* 1/24/72
SIGNATURE

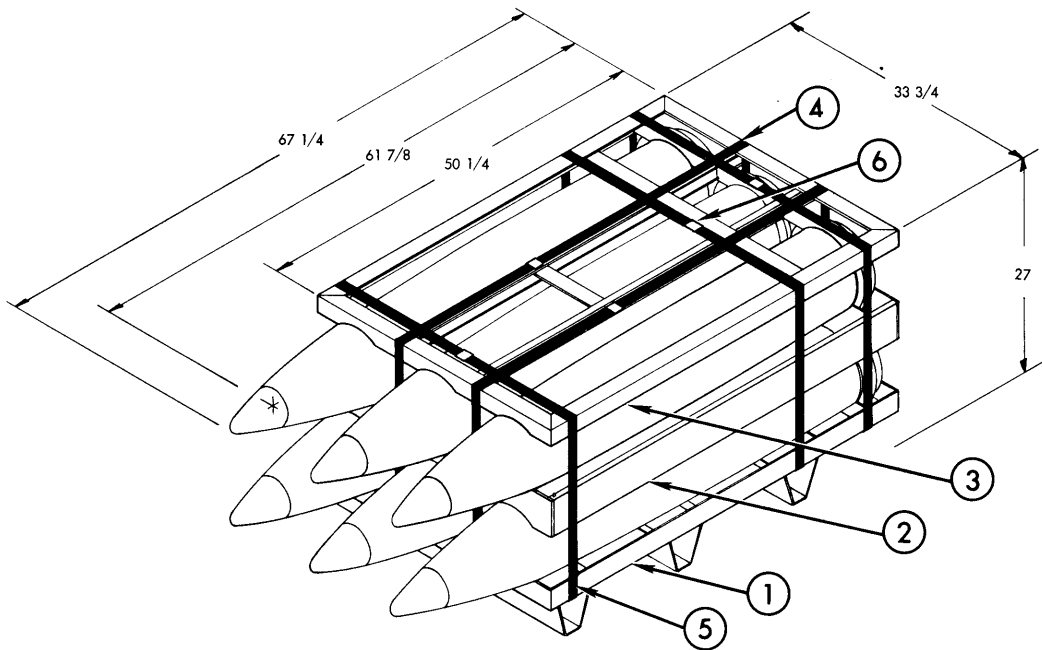
NAVAL WEAPONS HANDLING LABORATORY
U.S.N.A.D. EARLE, NEW JERSEY

PALLETIZING PROCEDURE

- (a) THREAD STRAPPING, ITEM 4, THROUGH SLOTS IN THE BOTTOM FRAME, ITEM 1.
- (b) PLACE THE FIRST ROW OF BOMBS ON THE BOTTOM FRAME WITH THE SUSPENSION LUGS DOWN, IN THE 5 OR 7 O'CLOCK POSITION, AND WITH THE TAIL END SNUG AGAINST RIM END OF FRAME.
- (c) POSITION THE INTERMEDIATE FRAME, ITEM 2, WITH THE RIM END SNUG AGAINST THE TAIL END OF THE BOMBS. PLACE THE SECOND ROW OF BOMBS WITH THE SUSPENSION LUGS POSITIONED IN THE SAME MANNER AS PROCEDURE (b) AND THE TAIL END SNUG AGAINST RIM.
- (d) POSITION THE TOP FRAME, ITEM 3, WITH THE RIM END SNUG AGAINST THE TAIL END OF THE BOMBS.
- (e) POSITION STRAPPING, ITEM 5, UNDER THE RIM OF THE BOTTOM FRAME, AS SHOWN, AND AROUND THE UNIT LOAD. TENSION AND DOUBLE NOTCH SEAL, ITEM 6.
- (f) POSITION STRAPPING, ITEM 4, AROUND THE UNIT LOAD, TENSION AND DOUBLE NOTCH SEAL.

MARKING:

IN ADDITION TO ANY SPECIAL MARKING REQUIRED BY CONTRACT OR ORDER, THE UNIT LOAD SHALL BE MARKED IN ACCORDANCE WITH MIL-STD-129.



DEPALLETIZING PROCEDURE

- (a) CUT AND REMOVE STRAPPING.
- (b) REMOVE TOP FRAME.
- (c) REMOVE THE TOP ROW OF BOMBS.
- (d) REMOVE THE INTERMEDIATE FRAME.
- (e) REMOVE THE BOTTOM ROW OF BOMBS.

NOTE: .031 COLD ROLLED, HEAT TREATED, MAY BE SUBSTITUTED.

5	6	SEAL	STEEL COATED HEAVY DUTY	QQ-5-781	1 1/4
3	5	STRAPPING, SEE NOTE	STEEL COATED HEAVY DUTY	QQ-5-781, TY I OR IV, CL B	1 1/4 X 035 X 10 FT 6
2	4	STRAPPING, SEE NOTE	STEEL COATED HEAVY DUTY	QQ-5-781, TY I OR IV, CL B	1 1/4 X 035 X 13 FT
1	3	FRAME, TOP: PALLET, BOMB, MK 9 MOD 0	STEEL	1583387 LD 483319	33 3/4 X 50 1/4
1	2	FRAME, INTERMEDIATE PALLET, BOMB MK 9	STEEL	1583386 LD 483319	33 3/4 X 50 1/4
1	1	FRAME, BOTTOM, PALLET, BOMB MK 9 MOD 0	STEEL	1583385 LD 483319	33 3/4 X 50 1/4

REQ.	ITEM	DESCRIPTION	MAT'L.	MAT'L SPEC.	DIMENSIONS
------	------	-------------	--------	-------------	------------

LIST OF MATERIALS