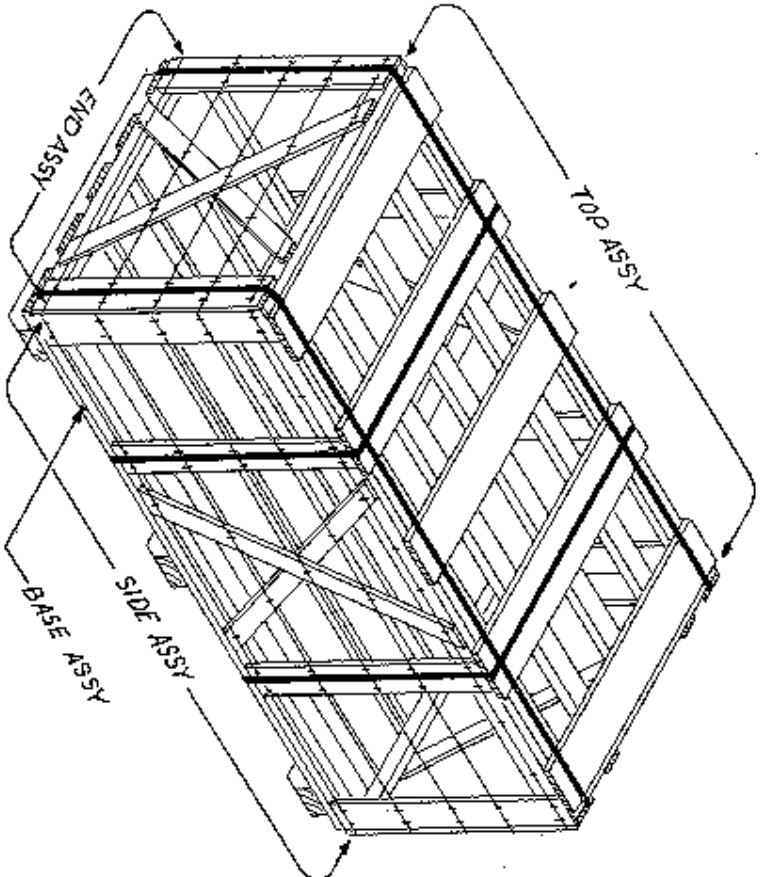


- NOTES:
1. STRAPPING SHALL CONFORM TO SPEC QQ-5-781 TYPE I, CLASS B, GR 2, .023 X 3/4 INCH.
 2. FIBERBOARD SHALL CONFORM TO MIL-B-43291 V15C. 2 THICKNESSES OF FIBERBOARD CONFORMING TO PPP-F-320 GRADE V30 MAY BE SUBSTITUTED FOR EACH PAD.

(*) ITEMS ALREADY PACKED ACCORDING TO BASIC OR SUBSEQUENT REVISIONS OF THIS TPO DO NOT REQUIRE REPACKING. (NOTE: CONSULT FORM 9013, 801 MICROPHONE FILE TO DETERMINE LATEST TPO IN EFFECT).



LIST OF MATERIALS
(CONT'D ON PAGE 2)

NO	QTY	DESCRIPTION	SIZE	MATERIAL	SPECIFICATION	GROSS WT LB	CU
1	1	DIAGONALS	APPROX 37 X 2 5/8 X 3/8				
2	2	VERTICAL BOARDS	2 1/2 X 4 X 7 3/8 X 3/8				
3	2	SIDE CLEATS (TOP)	1 1/2 X 4 X 7 3/8 X 1/4				
4	2	END CLEATS (TOP)	1 1/2 X 4 X 4 1/2 X 1/4				
5	2	SIDE CLEATS (BOTTOM)	1 1/2 X 4 X 7 3/8 X 1/4				
6	2	END CLEATS (BOTTOM)	1 1/2 X 4 X 4 1/2 X 1/4				
7	2	SIDE BOARDS	3 5/8 X 1 1/8 X 7 3/8 X 1/4				
8	2	END BOARDS	3 5/8 X 1 1/8 X 4 1/4 X 1/4				
9	2	DECK BOARDS	1 X 6 NOM X 7 3/8 X 1/4				
10	1	SKIDS	3 X 4 NOM X 4 1/2 X 1/2	WOOD	SEE DETAIL 1		
EXTERIOR CONTAINER							
LEVEL		SPECIFICATION	SIZE I.D.	STYLE	TYPE	CLASS/VARIETY	GRADE
A		MIL-C-11133 B	40 1/4 X 76 X 26 3/8	ZIZ	2	EXCEPT AS SHOWN ON THIS DRAWING	1077 6217
B		MIL-C-11133 B	40 1/4 X 76 X 26 3/8	ZIZ	2	THIS DRAWING	1077 6217
C							
AIR							
NET WT	960 LBS	OUTSIDE DIMENSIONS	43 X 79 X 31 5/8				

REV	DATE	DESCRIPTION	BY	CHKD
REV G		TPG REDRAWN (PAGE 1) AND ADDED PAGE 6		
REV H		ADDED ITEMS -19, -20 & -21 AND REVISED PACKING INSTRUCTIONS		
REV I		NOTED P/S		
REV J		DELETED THE WORD "ALL" AND ADDED "SITE IN LINE 5 OF PACKING INST. (PAGE 5)"		
REV K		CHANGED SPEC ON REF -19 FROM L-P-598 TO L-P-590		
REV L		CHANGED TYPE 5, CLASS IN NOTE (PAGE 1)		
REV M		CHANGED QTY OF ITEM -20, DELETED -18, REVISED NOTE 3		
REV N		CHANGED DETAIL DIMENSIONS OF REF -14 (PAGE 4)		

PRESERVATION & PACKAGING
LEVEL A IN A/W MIL-P-116 METHOD ZIZ
LEVEL B IN A/W MIL-P-116 METHOD ZIZ
CLEANING & DRYING IN A/W MIL-P-116
PRESERVATION COMPOUND N/A
AMOUNT OF DESICCANT (GMS) N/A
CLOSURE OR STRAPPING IN A/W MIL-C-11133 B
MARKING IN A/W MIL-STD-129
SPECIAL MARKING: NOT APPLICABLE
INSTRUCTIONS: SEE PAGE 6, 6 NOTE (PAGE 5)

APPLICABLE NSN's

7825-00-460-1306	
7325-00-476-8835	

APPLICATION	QTY REQD



UNLESS OTHERWISE SPECIFIED DIMENSIONS ARE IN INCHES
TOLERANCES ARE:
FRACTIONS DECIMALS ANGLES
.0001 .0005 .0001

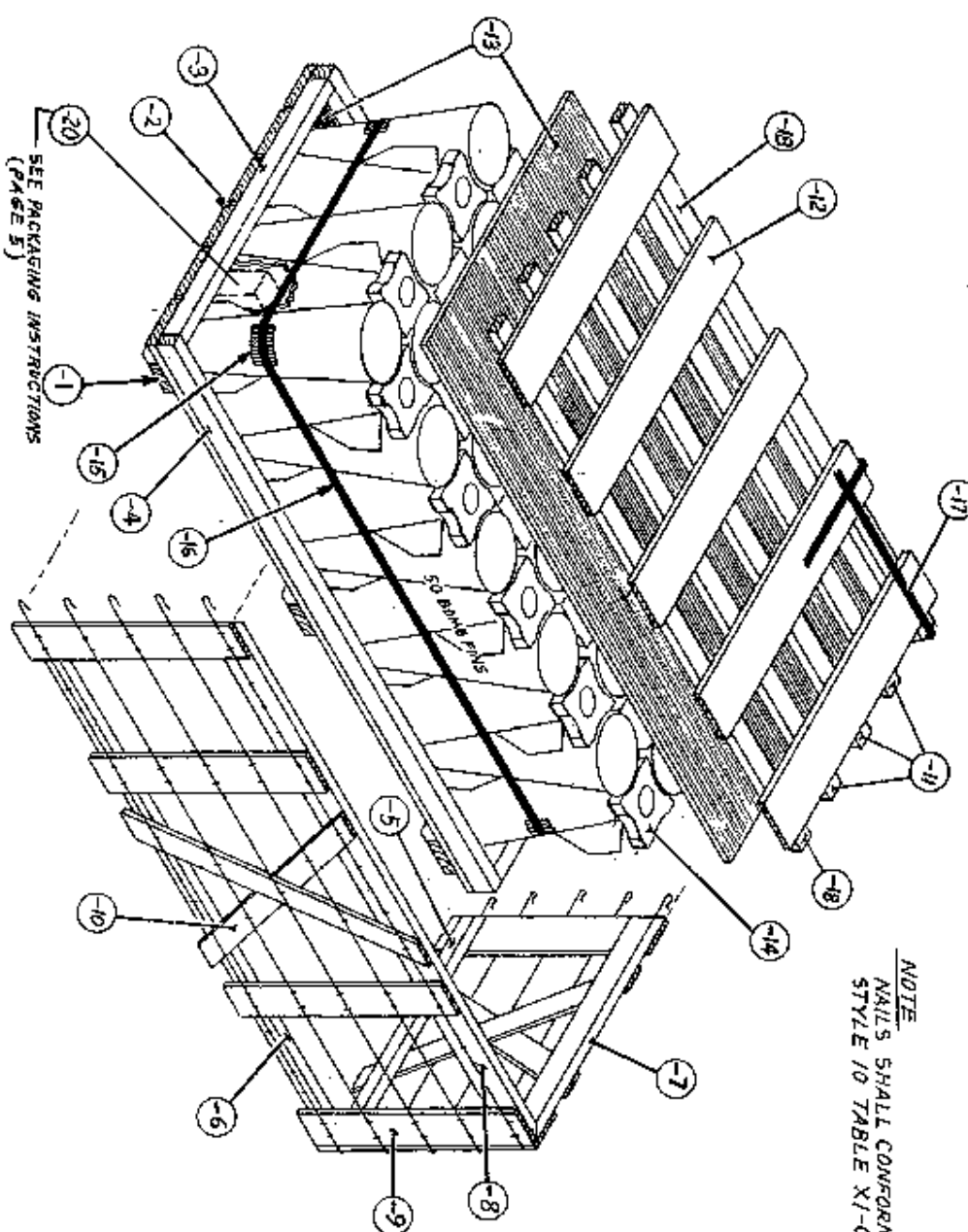
ORDER NO. U.S. AIR FORCE
ORDER NO. MIL AIR WTM
FIN ASSY
MAU 93/B
TPO
00-866-1175
REV 1 OF 6

REV	DATE	BY	APP'D

NOTE
 NAILS SHALL CONFORM TO SPEC. FF-N-105 SCREW TYPE
 STYLE 10 TABLE XI-C FOR NAILING INSTRUCTIONS / TO 6.

NAILING INSTRUCTIONS:

1. SECURE -4 TO -3 WITH 8d NAILS 2 PER JOINT.
2. SECURE -2 TO -4 WITH 6d NAILS 3 PER JOINT.
3. SECURE -2 TO -3 WITH 6d NAILS SPACED 6 INCHES APART.
4. SECURE DECKING (-2) TO SKIDS (-1) WITH 8d NAILS 3 PER JOINT.
5. SECURE SIDE AND END ASSY TO BASE WITH SIZE 5d NAILS OR 1/4 STAPLES 2 PER JOINT DRIVEN THRU ITEM-9 INTO ITEMS -3 & -4.
6. SECURE TOP ASSY TO SIDE & END ASSY WITH SIZE 5d NAILS OR 1/4 STAPLES 1 PER JOINT DRIVEN THRU ITEM -12 INTO ITEM-8.



SEE PACKAGING INSTRUCTIONS (PAGE 5)

REF	QTY	DESCRIPTION	SIZE	MATERIAL	SPECIFICATION
-21	1	BAG	10 X 12 APPROX.	PLASTIC	L.P. 378 OR EQUIV
-20	1	BOX	5 X 4 1/2 X 9	W.S.C.	POP-B-6355
-18	2	TOP BOARDS	7/8 X 1/2 X 2 5/8 X 7 7/8	WOOD (SEE DETAIL 3 PAGE 5)	
-17	4	STRAPS	3/4 X .023 X 4/R	STEEL	QQ-S-781
-16	1	STRAP	3/4 X .023 X 4/R	STEEL	QQ-S-781
-15	4	PADS	1/4 X 3 X 1/2	FELT C-F-202 OR EQUAL	
-14	50	INSERT CUSHION	SEE DETAIL (PAGE 4)	POLYSTYRENE (MOLDED)	
-13	2	PADS	1/4 X 3 3/4 X 7/2	FIBERBOARD, D/W	
-12	5	TOP BOARDS	4 3/4 X 5 1/2 X 5/8	WOOD (SEE DETAIL 3, PAGE 5)	
-11	3	TOP BOARDS	7 5/8 X 1 3/8 X 7/8	WOOD (SEE DETAIL 3, PAGE 5)	

SYN	QUANTITIES	REVISIONS	DATE

DESIGNED BY: H. M. ...

DATE: 2/29/68

U.S. AIR FORCE

FIN ASSY.

MAU 93/B

00-866-1175

1325

2 OF 6

