

Code Ident
10001

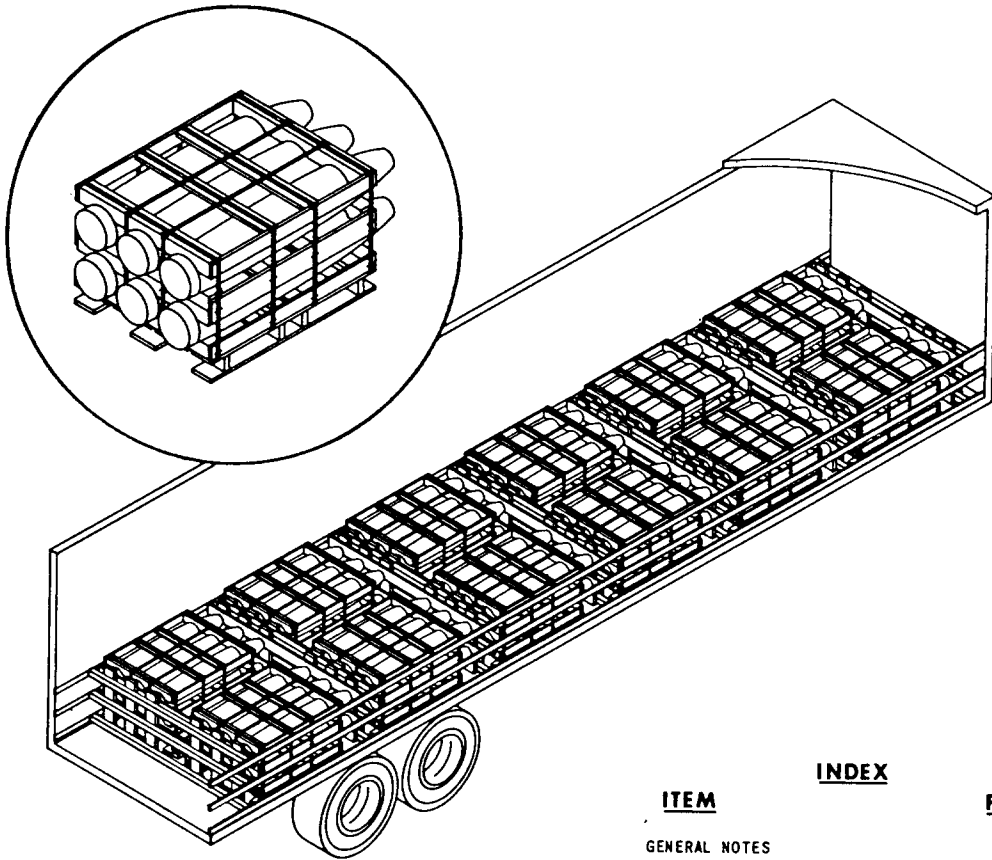
Naval Ordnance Systems Command
Department of the Navy

WR-51/35
7 NOVEMBER 1967

WEAPONS REQUIREMENT, TRUCKLOADING
Trailer-On-Flat-Car (TOFC) or Container-On-Flat-Car (COFC)
500 LB. L.D. BOMB MK 82 & MODS, PALLETIZED
DOMESTIC UNIT LOAD WR-53/702
(WITH PLASTIC NOSE PLUGS)

UNIT LOAD DATA

WEIGHT 3100 LBS.
DIMENSIONS 61 13/16 L x 40 W x 30 1/4 H
CUBE 42.7 CU. FT.



ITEM	INDEX	PAGE
GENERAL NOTES		2
FTL 40 FT. TRAILER (DF)		2 & 3

UNLESS OTHERWISE SPECIFIED
DIMENSIONS ARE IN INCHES

53/702	PALLETIZING	REV	REVISION DESCRIPTION	DATE	TDA	BUXPL	SYSCOM
51/36	TRUCKLOADING	LTR			APPROVAL		
WR NO.	ASSOCIATED PROCESS						
<p>AUTHORIZED AND RELEASED FOR TRAILER-ON-FLAT-CAR (TOFC) OR CONTAINER-ON-FLAT-CAR (COFC) USE.</p> <p>WHEN NOT SHIPPING TOFC OR COFC USE WR-51/36.</p>				<p>APPROVED BY BUREAU OF EXPLOSIVES</p> <p><i>A. J. Grassmuck</i> MILITARY ASSISTANT 12/2/66 SIGNATURE DATE</p>			
<p><i>J. E. Kelly</i> NWHL 12/13/66 SIGNATURE TECHNICAL DIRECTING ACTIVITY (TDA) DATE</p> <p><i>R. E. Albert</i> AR-53442 12/19/66 SIGNATURE (AIR) SYSCOM, BY DIRECTION DATE</p>				<p>ORIGINATOR <i>S. P. Trotterman</i> 12/12/66 SIGNATURE</p> <p>NAVAL WEAPONS HANDLING LABORATORY U.S.N.A.D. EARLE, NEW JERSEY</p>			

GENERAL NOTES

1. THIS DOCUMENT PROVIDES DETAILED INSTRUCTIONS FOR LOADING 500 LB. L.D. BOMBS, PALLETIZED, IN DF EQUIPPED TRAILERS OR CONTAINERS WHEN SHIPPING TRAILER-ON-FLAT-CAR (TOFC) OR CONTAINER-ON-FLAT-CAR (COFC).
2. BOMBS SHALL BE PALLETIZED IN ACCORDANCE WITH DOMESTIC UNIT LOAD WR-53/702 (WITH PLASTIC NOSE PLUGS). NO OTHER PALLET LOADS ARE AUTHORIZED FOR SHIPMENT PER THIS DOCUMENT.
3. DF EQUIPMENT SHALL BE IN CONFORMANCE WITH AND SHIPPED ON FLAT CARS COMPLYING WITH BUREAU OF EXPLOSIVES PAMPHLET 6C, APPENDIX NO. 1.
4. FOR GENERAL TRUCKLOADING PROCEDURES AND REGULATIONS REFER TO THE GENERAL WEAPONS REQUIREMENT (WR-51).

FTL 40 FT. TRAILER (DF EQUIPPED)

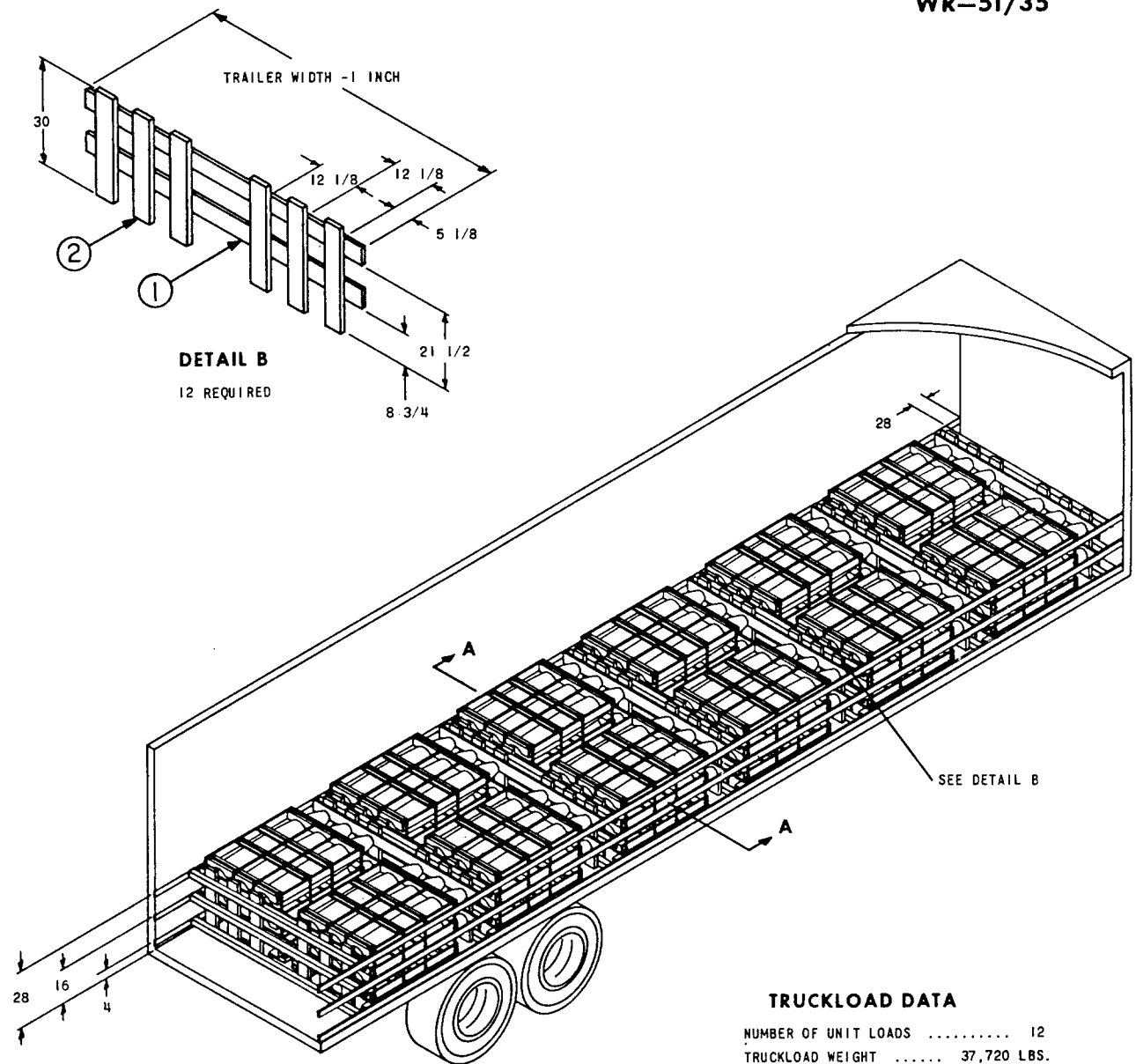
LOADING AND DUNNAGING PROCEDURE. FULL LOAD FOR A 40-FOOT TRAILER (DF EQUIPPED) CONSISTS OF 12 STRAPPED PALLETIZED UNIT LOADS CONTAINING 6 BOMBS EACH, FOR A TOTAL OF 72 BOMBS, POSITIONED IN THE TRAILER AS SHOWN. FOR SHIPMENTS LESS THAN FULL TRAILER LOAD, ADAPT DUNNAGE AS NECESSARY, WHILE KEEPING THE LOAD TO THE FRONT OF TRAILER. THE LOCATION OF THE COMPLETE LOAD SHALL BE SUCH AS TO MEET AXLE LOAD LIMITATIONS. LOAD AND DUNNAGE AS FOLLOWS:

1. INSTALL A CROSS MEMBER ON THE FIRST, SECOND, AND THIRD BELT RAILS AND 28 INCHES FROM THE FORWARD END OF THE TRAILER. NOTE: BELT RAILS ARE NUMBERED FROM THE TRAILER FLOOR UP.

CAUTION

WHEN POSITIONING THE CROSS MEMBERS, MAKE A VISUAL CHECK TO ENSURE THAT CROSS MEMBERS ARE LOCKED SECURELY IN PLACE.

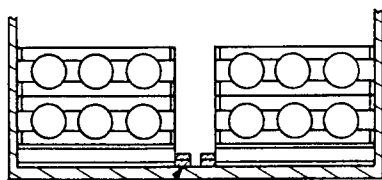
2. PREFABRICATE SEPARATOR GATE (DETAIL B) CONSISTING OF TWO HORIZONTAL MEMBERS (PIECE 1) AND SIX VERTICAL MEMBERS (PIECE 2) USING 12d NAILS AND POSITION AGAINST CROSS MEMBERS. VERTICAL MEMBERS OF GATE ARE PLACED AGAINST CROSS MEMBERS.
3. POSITION TWO UNIT LOADS IN TRAILER WITH EACH LOAD FIRMLY PLACED AGAINST TRAILER SIDEWALL AND AGAINST INSTALLED SEPARATOR GATE. PALLETIZED LOADS ARE PLACED IN TRAILER WITH 48-INCH DIMENSION OF THE PALLET PARALLEL TO TRAILER'S LENGTHWISE DIMENSION.
4. POSITION SLEEPERS (PIECE 3), DOUBLED, AGAINST PALLET SKID BOARDS. NAIL FIRST PIECE TO TRAILER FLOOR USING 16d NAILS EVERY 8 INCHES AND SECOND PIECE TO FIRST PIECE USING 16d NAILS EVERY 8 INCHES.
5. PLACE A SEPARATOR GATE (DETAIL B) FIRMLY AGAINST BOMBS.
6. INSTALL A CROSS MEMBER ON THE FIRST, SECOND, AND THIRD BELT RAILS AND POSITIONED FIRMLY AGAINST SEPARATOR GATE.
7. CONTINUE LOADING UNTIL 12 UNIT LOADS HAVE BEEN LOADED, USING PROCEDURES IN STEPS 2, 3, 4, 5, AND 6.
8. ATTACH SHIPPING DOCUMENTS TO REAR DUNNAGE. CLOSE AND SEAL TRAILER DOORS.



TRUCKLOAD DATA

NUMBER OF UNIT LOADS 12
 TRUCKLOAD WEIGHT 37,720 LBS.
 NUMBER OF CROSS MEMBERS REQ ... 21

NOTE - ANY ADDITIONAL CROSSMEMBERS RECEIVED IN TRAILER MAY BE USED AT REAR OF LOAD TO "BACKUP" THOSE PREVIOUSLY INSTALLED ON 1ST, 2ND, AND 3RD BELT RAILS.



SECTION A-A

REQ.	ITEM	DESCRIPTION	MAT'L.	MAT'L. SPEC.	DIMENSIONS
24	3	SLEEPER	WOOD DRESSED	MM-L-751	2 x 4 x 48
72	2	VERTICAL GATE MEMBER	WOOD DRESSED	MM-L-751	2 x 6 x 30
24	1	HORIZONTAL GATE MEMBER	WOOD DRESSED	MM-L-751	1 x 6 x TRAILER WIDTH -1 INCH

LIST OF MATERIALS