
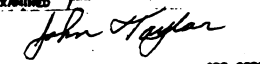
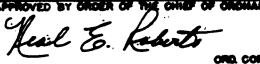
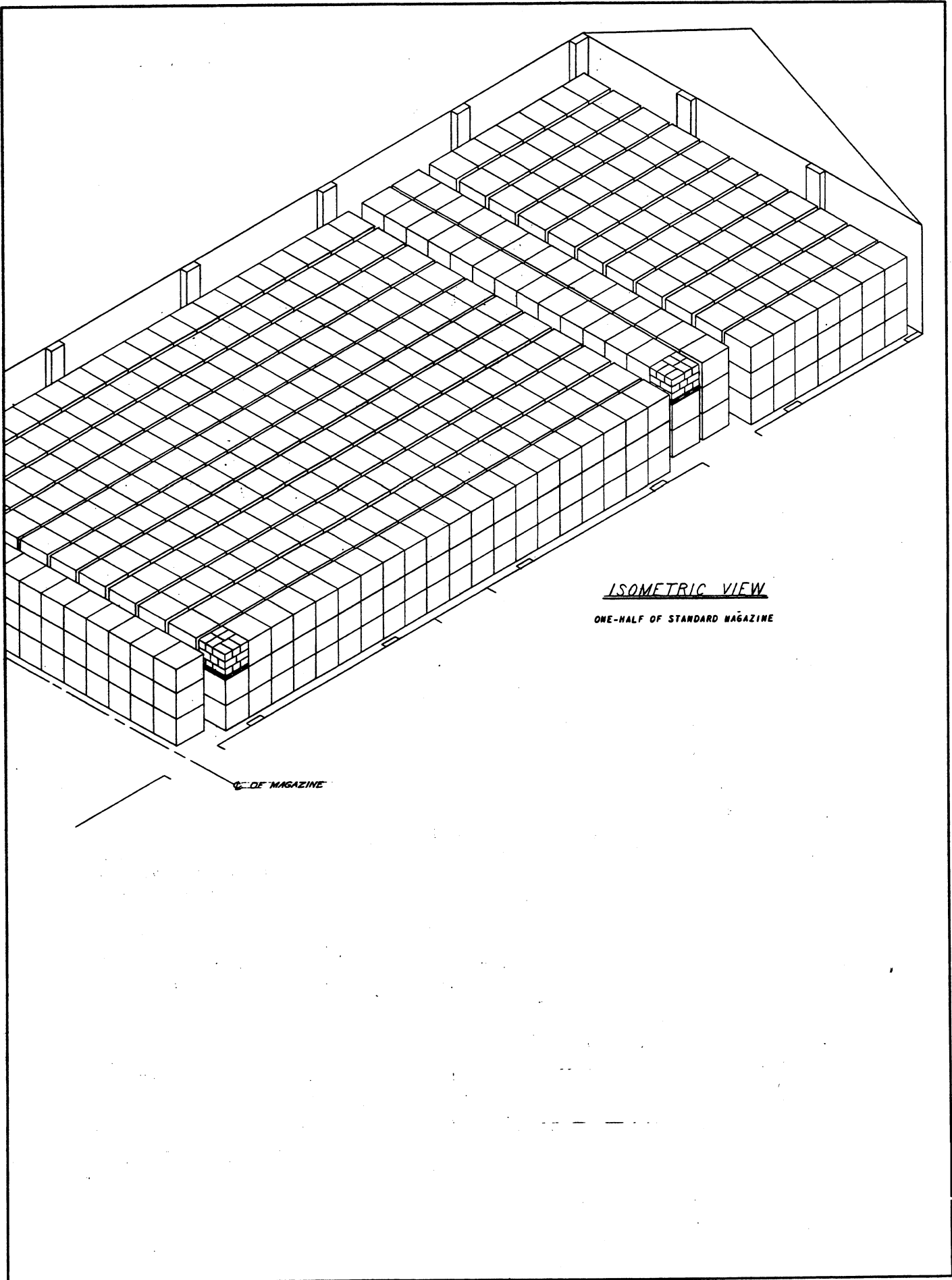


**STORAGE IN STANDARD MAGAZINE OF BATTERY,
STORAGE, BB 401/U, PACKED FOUR PER WOODEN
BOX (PALLETIZED) FOR THE NIKE-AJAX AND NIKE-HERCULES
GUIDED MISSILES**

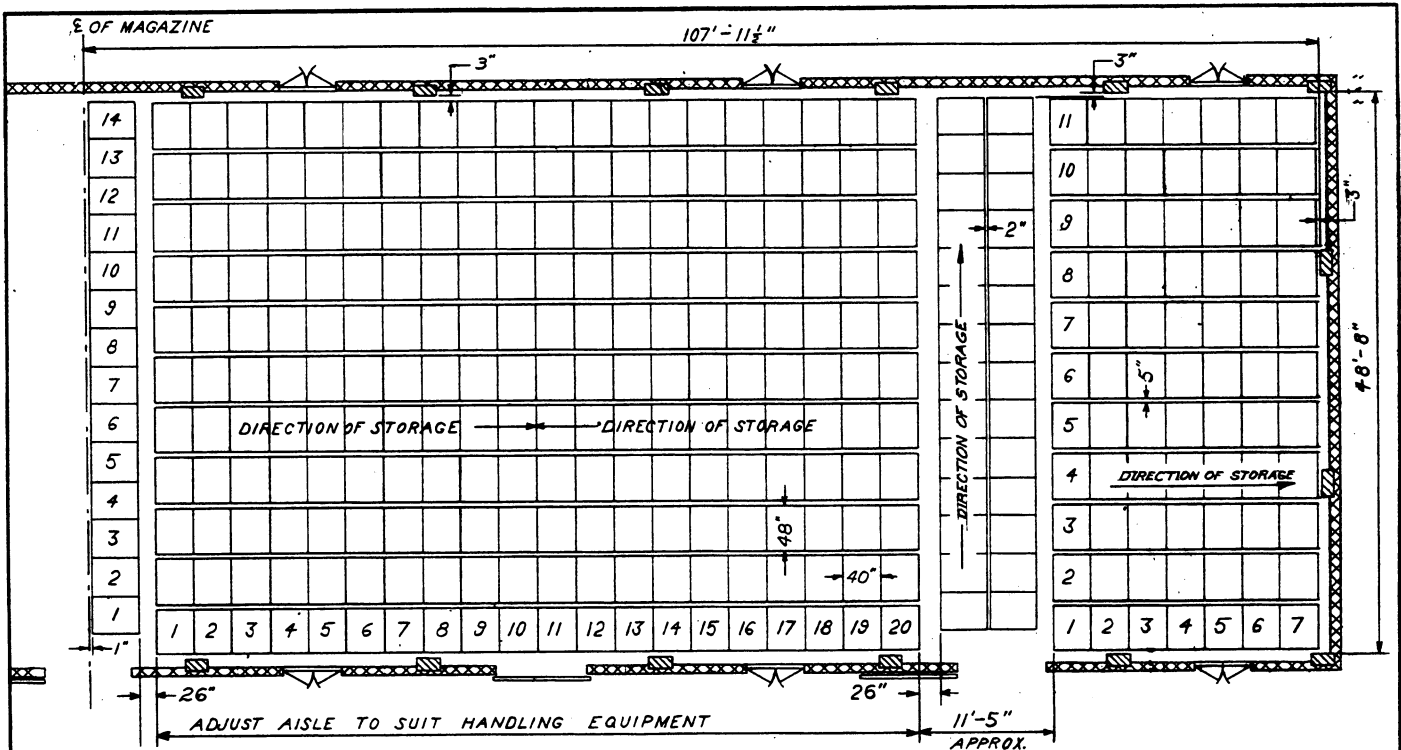
DRAFTSMAN K MJ		TRACER		ENGINEER CRJ		SUBMITTED	
CHECKER RAS/108		CHECKED P. K. 8/1		ENGINEER ABC		 COL. ORD. CORPS U.S.A.	
REVISIONS							
1	21 NOV 55	RAS	CRJ	P. J. Wadsworth			
2	8-1-62	GB	CRJ	Andrew H. Reid			
						EXAMINED  COL. ORD. CORPS U.S.A.	
						APPROVED BY ORDER OF THE CHIEF OF ORDNANCE  COL. ORD. CORPS U.S.A.	
ORDNANCE CORPS U.S.A.							
31 JANUARY 1955							
CLASS		DIVISION		DRAWING		FILE	
19		48		5023		GM2A6	



ISOMETRIC VIEW

ONE-HALF OF STANDARD MAGAZINE

C. OF MAGAZINE

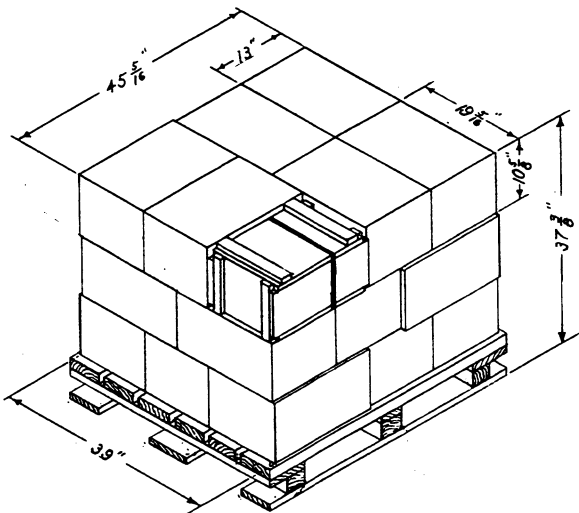


PLAN VIEW

ONE-HALF OF STANDARD MAGAZINE

GENERAL NOTES

- A. FOR DETAIL OF BOX SEE DRAWING NO. 8026371. BOX DIMENSIONS - 19-5/16" LONG x 13" WIDE x 10-3/8" HIGH. GROSS WEIGHT - 65 LBS (APPROX).
- B. AISLE DIMENSIONS SHOWN HEREIN MAY BE ADJUSTED TO SUIT LOCAL CONDITIONS AND/OR AVAILABLE MATERIAL HANDLING EQUIPMENT.
- C. THIS ITEM WILL BE STORED WITH THE TOP SIDE UP.
- D. DOUBLE FACED PALLETS OF SIZES OTHER THAN SHOWN HEREIN, WHICH ARE CURRENTLY ON HAND, MAY BE USED IF ADAPTABLE.
- E. CAUTION: THE NUMBER OF LAYERS PER PALLET AND PALLETS PER STACK IS LIMITED TO THREE (3) EACH.



PALLET LOAD

21 BOXES
WT. - 1,342 LBS W/PALLET
MATERIAL SPECIFICATIONS

PALLETS: STANDARD, 40" x 48", 4 WAY ENTRY TYPE, SPEC MIL-P-15011C.

STORAGE AS SHOWN

(ONE-HALF OF STANDARD MAGAZINE)

PALLETS	BOXES	BATTERIES
1,017	21,357	85,428

STORAGE IN STANDARD MAGAZINE OF BATTERY, STORAGE, BB 401/U, PACKED FOUR PER WOODEN BOX (PALLETIZED) FOR THE NIKE-AJAX AND NIKE-HERCULES GUIDED MISSILES

DESIGNED BY K MJ	TRACER	ENGINEER CRJ	SUBMITTER <i>John Taylor</i>
CHECKED BY RAS/108	ORIGINATOR P K	ENGINEER ABC	COL. ORDN CORPS U.S.A.
REVISIONS			
1	21 NOV 57	RAS	<i>R. J. Williams</i>
2	8-1-62	GB	<i>Anderson H. Black</i>
APPROVED BY ORDER OF THE CHIEF OF ORDNANCE <i>Keel E. Roberts</i> COL. ORDN CORPS U.S.A.			
ORDNANCE CORPS U.S.A.			
31 JANUARY 1955			
CLASS	DIVISION	DRAWING	FILE
19	48	5023	GM2A6

DO NOT SCALE

