

APPROVED BY
MTMTS

Frank L. Lane
TEA, MTMTS

DATE: 4 Nov 1971

NIKE-HERCULES

MINIMUM REQUIREMENTS FOR THE HANDLING, STOWAGE, AND BRACING ABOARD SHIPS OF TEST STATION, TRUCK MOUNTED, AN/TSM-63(ECU)

| REVISIONS | | DRAFTSMAN <i>LRS/516</i> | PROJ ENG <i>JW/new</i> |
|-----------|--|--|--|
| | | CHECKER <i>AK/BST</i> | APP OFFICE <i>John Kelly Mike Gilbert</i> |
| | | APPROVED <i>Marie E. Johnson</i> U. S. ARMY MISSILE COMMAND APPROVED BY MEMBER OF COMMANDING GENERAL U. S. ARMY MATERIEL COMMAND | |
| | | <i>A. E. Ehrig</i> URAMC AMMO CENTER U. S. ARMY MATERIEL COMMAND | |
| | | NOVEMBER 1971 | |
| | | CLASS | DIVISION |
| | | 19 | 48 |
| | | DRAWING | FILE |
| | | 7247 | GSE 18NH10 |

DO NOT SCALE

NOTES

GENERAL:

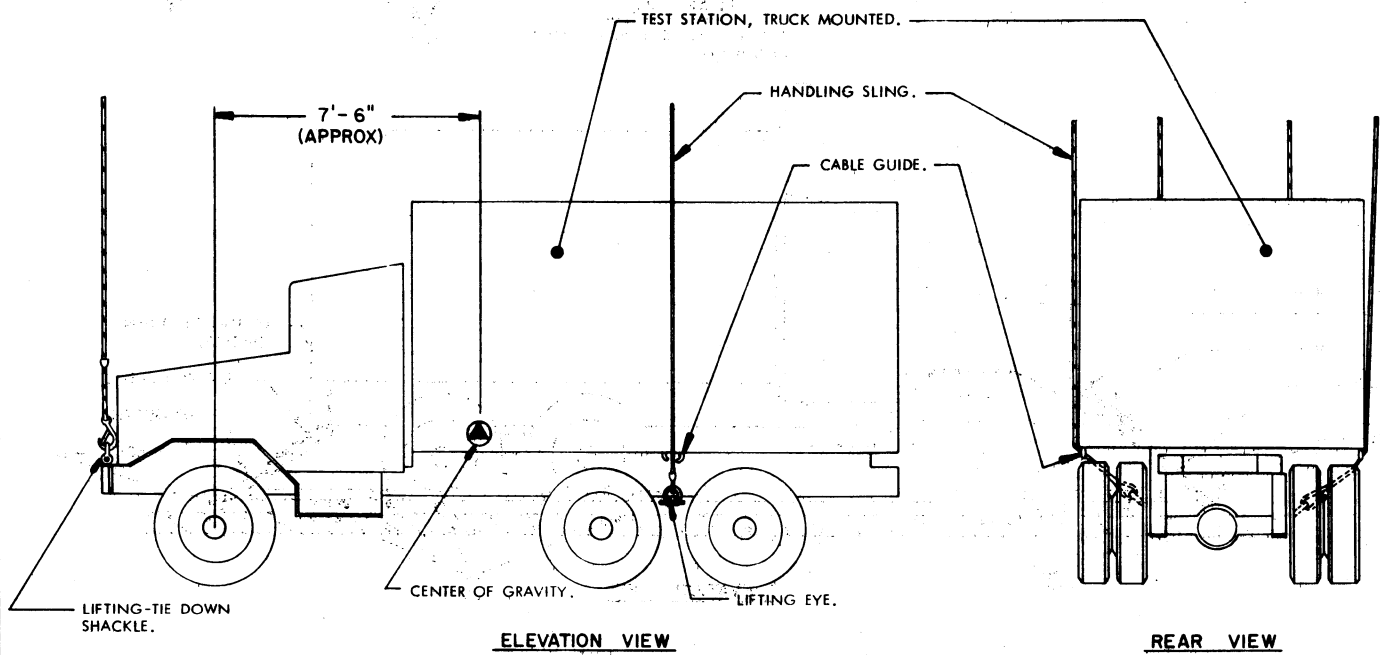
- A. THIS DOCUMENT HAS BEEN PREPARED AND ISSUED IN ACCORDANCE WITH AMCR 740-13.
- B. THIS DRAWING DEPICTS MINIMUM PROCEDURES APPLICABLE TO THE HANDLING, STOWAGE AND BRACING ABOARD SHIPS OF TEST STATION, GUIDED MISSILE, TRUCK MOUNTED, AN/TSM-63 (ECU) FOR THE NIKE-HERCULES MISSILE SYSTEM.
- C. THE TEST STATION SHOWN HEREIN MAY BE STOWED IN THE SAME HOLD OR TWEEN DECK WITH OTHER TYPES OF CARGO. HOWEVER, IF THIS ITEM IS TO BE STOWED ADJACENT TO DANGEROUS ARTICLES, PERTINENT REQUIREMENTS OF COAST GUARD REGULATION NO. CG 108 MUST BE APPLIED.
- D. LADING DATA:
DIMENSIONS ----- 21'-9-1/4" LONG X 7'-11-3/4" WIDE X 10'-8-7/8" HIGH.
GROSS WIEGHT ----- 20,220 LBS (APPROX).
CUBE ----- 1,870 CU. FT.

HANDLING:

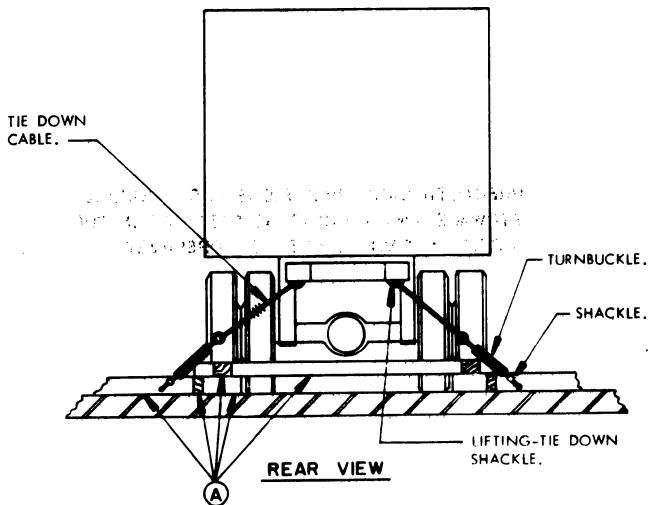
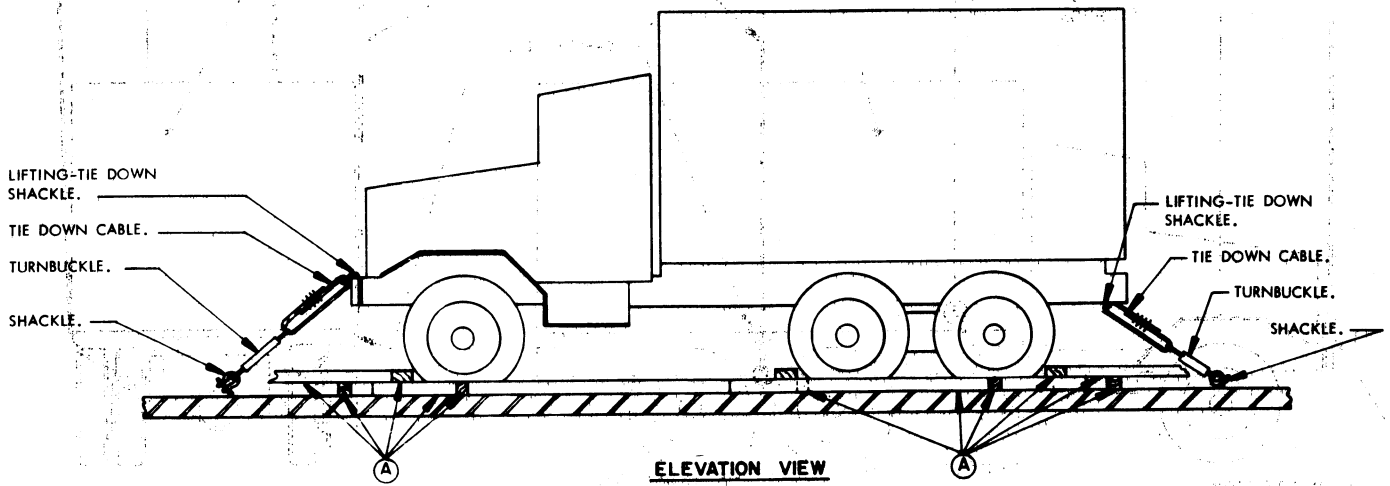
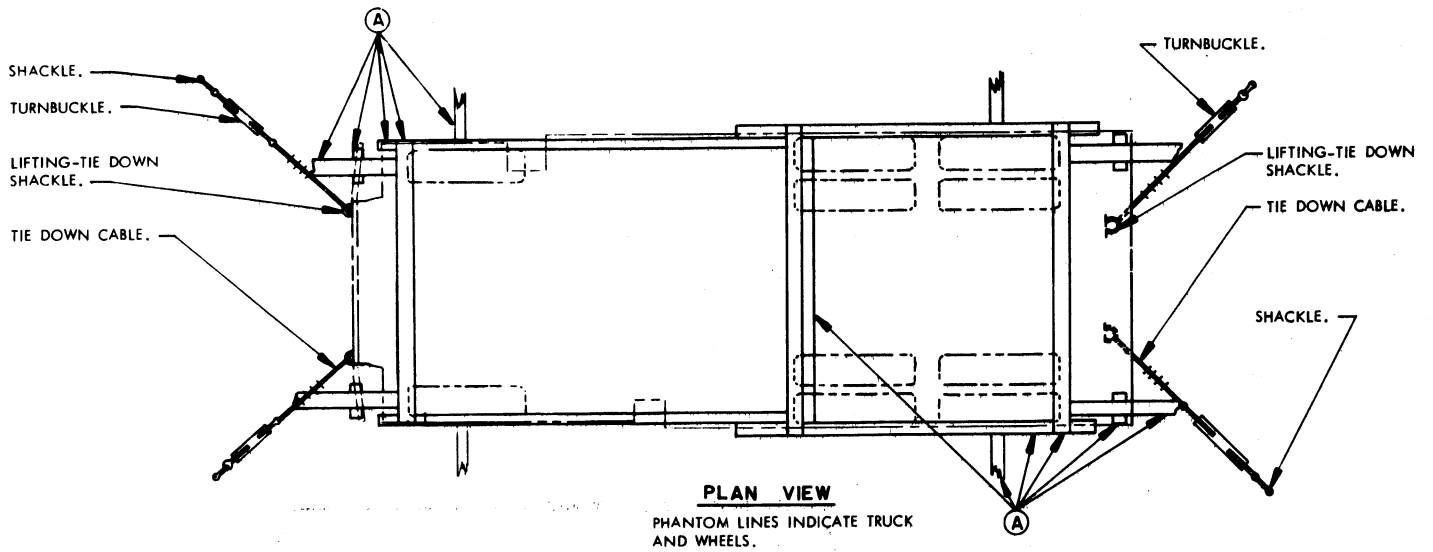
- A. PERTINENT PROVISIONS OF TITLE 46 CODE OF FEDERAL REGULATIONS APPLY.
- B. HANDLING OF THE TEST STATION SHOULD BE ACCOMPLISHED BY USING THE LIFT POINTS DESIGNATED HEREIN.
- C. THE HANDLING SLING SHALL BE OF A DESIGN AND CONFIGURATION TO LIFT THIS ITEM IN SUCH A MANNER THAT THE CABLE LEGS DO NOT APPLY EXCESSIVE PRESSURE AGAINST THE FRAMING, SUPERSTRUCTURE OR OTHER MEMBERS OF THE ITEM, WHICH MAY DAMAGE THE ITEM.
- D. EACH LEG OF THE HANDLING-SLING MUST BE SECURELY ATTACHED TO A LIFT POINT PRIOR TO LIFTING.
- E. ALTHOUGH DESIRABLE, A LEVEL LIFT IS NOT MANDATORY. THE APPROXIMATE CENTER OF GRAVITY OF THIS ITEM IS SHOWN TO ASSIST IN DETERMINING CABLE LENGTHS TO ASSURE A SAFE LIFT.

STOWAGE AND BRACING:

- A. WHEN STOWING THE TEST STATION VEHICLE WITHIN THE HOLD OR TWEEN DECK, BRACING BETWEEN VEHICLES OR BETWEEN A VEHICLE AND OTHER CARGO SHALL ONLY BE APPLIED AGAINST THE WHEELS OF THE VEHICLE. ALSO, OTHER CARGO ITEMS MUST NOT BE STACKED ON TOP OF OR AGAINST ANY OTHER PART OF THE TEST STATION VEHICLE THAN AS IDENTIFIED IMMEDIATELY ABOVE.
- B. SPECIES, GRADE AND SIZE OF LUMBER TO BE USED WILL COMPLY WITH REQUIREMENTS OF CURRENT SHIPWRIGHT-CARPENTRY AND RELATED SERVICES CONTRACTS. BRACING METHODS AND LUMBER SIZES DEPICTED IN THIS DRAWING ARE CONSIDERED MINIMUM AND ARE NOT INTENDED TO CONFLICT WITH CONTRACT REQUIREMENTS.
- C. THE TEST STATION IS EQUIPPED WITH TIE DOWN DEVICES AS SHOWN HEREIN AND ARE SYMMETRICAL ABOUT THE LONGITUDINAL LINE OF CENTER. THE ITEM SHOULD BE SECURED FORE AND AFT TO SHIP TIE DOWN POINTS USING A MINIMUM OF TWO SYMMETRICALLY LOCATED TIE DOWN DEVICES IN EACH DIRECTION AS TYPICALLY SHOWN WITHIN THIS DOCUMENT.
- D. A TYPICAL TIE DOWN PROCEDURE IS SHOWN AND DEPICTS THE PREFERRED METHOD OF USING CABLES AND TURNBUCKLES. IF USED, A TURNBUCKLE MUST BE OF A SIZE EQUAL IN STRENGTH TO THE MINIMUM SIZE CABLE REQUIRED TO SECURE THE ITEM. IN LIEU OF CABLES AND TURNBUCKLES, SECUREMENT MAY BE ACCOMPLISHED BY OTHER ACCEPTED METHODS.



PRECAUTIONARY PROVISIONS FOR HANDLING, STOWAGE AND BRACING AS SPECIFIED IN THE NOTES ON PAGE 2 MUST BE OBSERVED.



| MINIMUM LUMBER SIZES | |
|----------------------|---------|
| (A) | 4" X 6" |

PRECAUTIONARY PROVISIONS FOR HANDLING, STOWAGE AND BRACING AS SPECIFIED IN THE NOTES ON PAGE 2 MUST BE OBSERVED.