

STORAGE IN APPROVED MAGAZINES OF JSOW (AGM-154) MISSILE PACKED IN CNU-671 OR CNU-672 CONTAINERS

<u>ITEM</u>	<u>INDEX</u>	<u>PAGE(S)</u>
GENERAL NOTES AND MATERIAL SPECIFICATIONS	- - - - -	2
CONTAINER DETAILS	- - - - -	3
TYPICAL STORAGE IN ARCHED OR ROUNDED ROOF MAGAZINES	- - - - -	4-7
CORBETTA MAGAZINE	- - - - -	8,9
100' - 8" L X 50' - 0" W RECTANGULAR MAGAZINE	- - - - -	10,11
SHIM LOCATION DETAIL	- - - - -	12

U.S. ARMY MATERIEL COMMAND DRAWING

APPROVED U.S. ARMY RESEARCH, DEVELOPMENT AND ENGINEERING COMMAND GOOD.DAVID G.1089777433 <small>Digitally signed by GOOD.DAVID. G.1089777433 DN: cn=GOOD.DAVID, G.1089777433, c=US, o=U.S. Government, ou=DoD, PKI, USA Date: 2009.06.25 07:35:07 -05'00'</small> RDAR-EL-TP		CAUTION: VERIFY PRIOR TO USE AT WWW.DAC.ARMY.MIL THAT THIS IS THE MOST CURRENT VERSION OF THIS DOCUMENT. THIS IS PAGE 1 OF 12.			
		DO NOT SCALE		APRIL 2009	
		ENGINEER OR TECHNICIAN	BASIC REV.	ADIN FELICIANO	
		TRANSPORTATION ENGINEERING DIVISION		FIEFFER.LAURA. A.1230375727 <small>Digitally signed by FIEFFER.LAURA. A.1230375727 DN: cn=US, o=U.S. Government, ou=DoD, ou=PKI, ou=USA, ou=FIEFFER.LAURA, A.1230375727 Date: 2009.03.30 12:43:31 -05'00'</small>	
APPROVED BY ORDER OF COMMANDING GENERAL, U.S. ARMY MATERIEL COMMAND CARNEY.GARY BURTON.1038708038 08038 <small>Digitally signed by CARNEY.GARY. GARY.BURTON.1038708038 DN: cn=US, o=U.S. Government, ou=DoD, ou=PKI, ou=USA, cn=CARNEY.GARY, BURTON.1038708038 Date: 2009.07.14 12:13:12 -05'00'</small> U.S. ARMY DEFENSE AMMUNITION CENTER		VALIDATION ENGINEERING DIVISION	BARICKMAN.PHILIP. W.1230202202 <small>Digitally signed by BARICKMAN.PHILIP. W.1230202202 DN: cn=US, o=U.S. Government, ou=DoD, ou=PKI, ou=USA, ou=BARICKMAN, PHILIP.W.1230202202 Date: 2009.04.09 15:04:41 -05'00'</small>	TESTED	CLASS
		ENGINEERING DIRECTORATE	BEAVER.JERRY. W.1230949952 <small>Digitally signed by BEAVER.JERRY. W.1230949952 DN: cn=US, o=U.S. Government, ou=DoD, ou=PKI, ou=USA, ou=BEAVER.JERRY, W.1230949952 Date: 2009.04.13 08:28:37 -05'00'</small>		DIVISION
					DRAWING
					FILE
				19	48
				8825	SP1-3-4-14-22J51

GENERAL NOTES

- A. THIS DOCUMENT HAS BEEN PREPARED AND ISSUED IN ACCORDANCE WITH AR 740-1 AND AUGMENTS TM 743-200-1 (CHAPTER 5).
- B. THE STORAGE PROCEDURES DEPICTED WITHIN THIS DOCUMENT ARE APPLICABLE FOR STORAGE IN VARIOUS TYPES AND SIZES OF MAGAZINES. THE STORAGE PROCEDURES DEPICTED FOR THE SPECIFIC TYPES OF MAGAZINES MAY ALSO BE UTILIZED TO STORE JSOW MISSILES PACKED IN CNU-671 OR CNU-672 CONTAINERS IN OTHER TYPES OF APPROVED MAGAZINES. MINOR ADJUSTMENTS MAY BE MADE TO FACILITATE STORAGE IN OTHER TYPES OF MAGAZINES, HOWEVER, THE BASIC PRINCIPLES AS DEPICTED HEREIN WILL BE FOLLOWED.
- C. THE STORAGE PROCEDURES SPECIFIED IN THIS DRAWING ARE APPLICABLE TO JSOW MISSILES PACKED IN CNU-671 OR CNU-672 CONTAINERS. SUBSEQUENT REFERENCE TO CONTAINER HEREIN MEANS CONTAINER WITH BOMBS INSTALLED. SEE PAGE 3 AND RAYTHEON DRAWINGS 4283067-1 AND 4283068-1 FOR DETAILS OF THE CONTAINERS.
- D. **CAUTION:** THE ALLOWABLE "EXPLOSIVE LIMIT" ESTABLISHED FOR A MAGAZINE IS NOT TO BE EXCEEDED. THIS LIMITATION MAY REQUIRE A QUANTITY REDUCTION FROM THE STORAGE AS SHOWN.
- E. STORED CONTAINERS MUST NOT CONTACT THE SIDES OF A MAGAZINE. THEREFORE, CONTAINERS MUST BE STORED A MINIMUM OF 6" FROM THE SIDEWALL OR CURVATURE OF THE MAGAZINE AS APPLICABLE. TO PROVIDE FOR THIS MANDATORY CLEARANCE REQUIREMENT, CONTAINERS MAY BE ELIMINATED FROM THE DEPICTED STORAGE PATTERN AS NECESSARY.
- F. AISLE DIMENSIONS SHOWN FOR STORAGE PROCEDURES IN MAGAZINES MAY BE ADJUSTED TO SUIT LOCAL CONDITIONS, VARIATIONS DIMENSIONS, AND/OR AVAILABLE MATERIAL HANDLING EQUIPMENT (MHE).
- G. **CAUTION:** THESE ITEMS ARE IN A "PROPULSIVE STATE" AND MUST BE STORED WITH THE NOSE END FACING TOWARD THE REAR WALL OR A SIDE WALL OF THE MAGAZINE NOT TOWARD THE DOOR/FRONT WALL.
- H. THE MAXIMUM FLOOR LOAD FOR A MAGAZINE AS PRESCRIBED WILL NOT BE EXCEEDED.
- J. IF AVAILABLE MHE PERMITS, ADDITIONAL CONTAINERS MAY BE STORED WITHIN THE MHE AREA AND/OR OTHER AVAILABLE AREA OF THE MAGAZINE.
- K. THE HEIGHT OF THE PACKAGE GUARD ON SOME FORKLIFT TRUCKS MAY NOT PERMIT PLACEMENT OF SOME TOP LAYER CONTAINERS IN THE STACKS SHOWN IN THE STORAGE VIEWS HEREIN, UNLESS TWO UPPER CONTAINERS ARE HANDLED AS ONE LIFT OR THE PACKAGE GUARD IS REMOVED (TINE CARRIAGE WILL IN MOST INSTANCES PROVIDE ADEQUATE PACKAGE GUARD PROTECTION). ONLY A FORKLIFT TRUCK OF ADEQUATE CAPACITY WILL BE USED WHEN LIFTING TWO CONTAINERS AS ONE LIFT.
- L. THE USE OF "FLOOR DUNNAGE" IS OPTIONAL, ALTHOUGH THE USE OF THIS TYPE OF DUNNAGE IS DELINEATED WITHIN THIS STORAGE PROCEDURE DRAWING. THE PURPOSE OF FLOOR DUNNAGE IS TO KEEP THE SKIDS OF THE CONTAINER DRY, THUS AIDING IN PREVENTING DETERIORATION DUE TO CORROSION. THEREFORE, FLOOR DUNNAGE SHOULD BE USED WHEN STORING IN A MAGAZINE THAT IS KNOWN TO HAVE A "DAMP" FLOOR. ALSO, IN LIEU OF USING ONE-INCH THICK FLOOR DUNNAGE AS SPECIFIED, THE USE OF THICKER FLOOR DUNNAGE MAY BE REQUIRED, AND SHOULD BE USED, TO ACHIEVE THE DESIRED OBJECTIVE. **NOTE:** SOME VIEWS WITHIN THIS DRAWING WILL NOT DEPICT ALL FLOOR DUNNAGE THAT IS REQUIRED WHEN DUNNAGE IS USED. FLOOR DUNNAGE IS SHOWN AT SOME LOCATIONS TO PROVIDE POSITIONING GUIDANCE. SEE GENERAL NOTE "R" AT RIGHT.

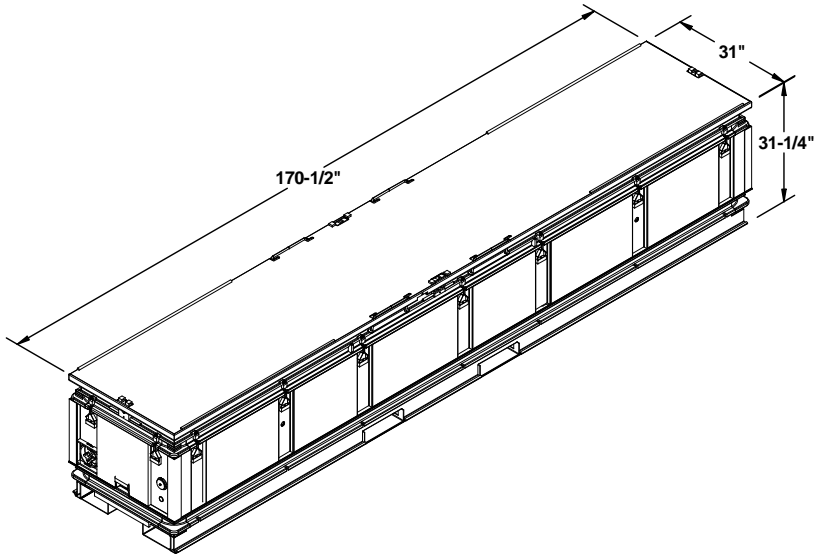
(CONTINUED AT RIGHT)

(GENERAL NOTES CONTINUED)

- M. WHEN LOCAL STORAGE CONDITIONS ARE SUCH THAT AN AMMUNITION STORAGE MAGAZINE NET EXPLOSIVE WEIGHT LIMIT WILL BE REACHED BEFORE ALL AVAILABLE STORAGE SPACE WILL BE UTILIZED, A COMBINATION OF THE VARIOUS STORAGE PATTERNS DELINEATED HEREIN MAY BE USED IN LIEU OF BLOCK STORAGE PATTERNS TO FACILITATE INVENTORY, INSPECTION, THE USE OF MATERIAL HANDLING EQUIPMENT, SURVEILLANCE, ETC., OF THE AMMUNITION TO BE STORED WITHIN THE MAGAZINE.
- N. CONTAINERS PRESENTLY STORED IN ACCORDANCE WITH A PRIOR APPROVED DRAWING NEED NOT BE RE-STORED SOLELY TO CONFORM TO THE PROCEDURES SPECIFIED IN THIS DOCUMENT.
- O. OTHER COMPATIBLE ITEMS MAY BE STORED IN A MAGAZINE, WHICH IS PARTIALLY FILLED WITH THE DESIGNATED ITEM.
- P. IN IGLOO, ARCH TYPE AND STRADLEY MAGAZINES WHICH HAVE SLOPING FLOORS, THE DEPICTED STORAGE PATTERNS, IN SOME CASES, INCLUDE CONTAINER STACKS WHICH STRADDLE THE RIDGE OF THE FLOOR AT THE CENTER OF THE MAGAZINE. FLOOR DUNNAGE IN THE FORM OF SHIMS WILL BE USED AS REQUIRED TO ACHIEVE SOUND AND ACCEPTABLE STABLE STACKS. SEE DETAIL ON PAGE 15.
- Q. PORTIONS OF THE MAGAZINES, SUCH AS SIDEWALLS, END WALLS, AND ROOFS HAVE NOT BEEN SHOWN IN THE STORAGE VIEWS FOR CLARITY PURPOSES.
- R. DUNNAGE LUMBER SPECIFIED THROUGHOUT THIS PROCEDURAL DRAWING IS OF NOMINAL SIZE. FOR EXAMPLE, 1" X 4" MATERIAL IS ACTUALLY 3/4" THICK BY 3-1/2" WIDE AND 2" X 6" MATERIAL IS ACTUALLY 1-1/2" THICK BY 5-1/2" WIDE.
- S. CONVERSION TO METRIC EQUIVALENTS: DIMENSIONS WITHIN THIS DOCUMENT ARE EXPRESSED IN INCHES, AND WEIGHTS ARE EXPRESSED IN POUNDS. WHEN NECESSARY, THE METRIC EQUIVALENT MAY BE COMPUTED ON THE BASIS OF ONE INCH EQUALS 25.4MM, AND ONE POUND EQUALS 0.454 KG.

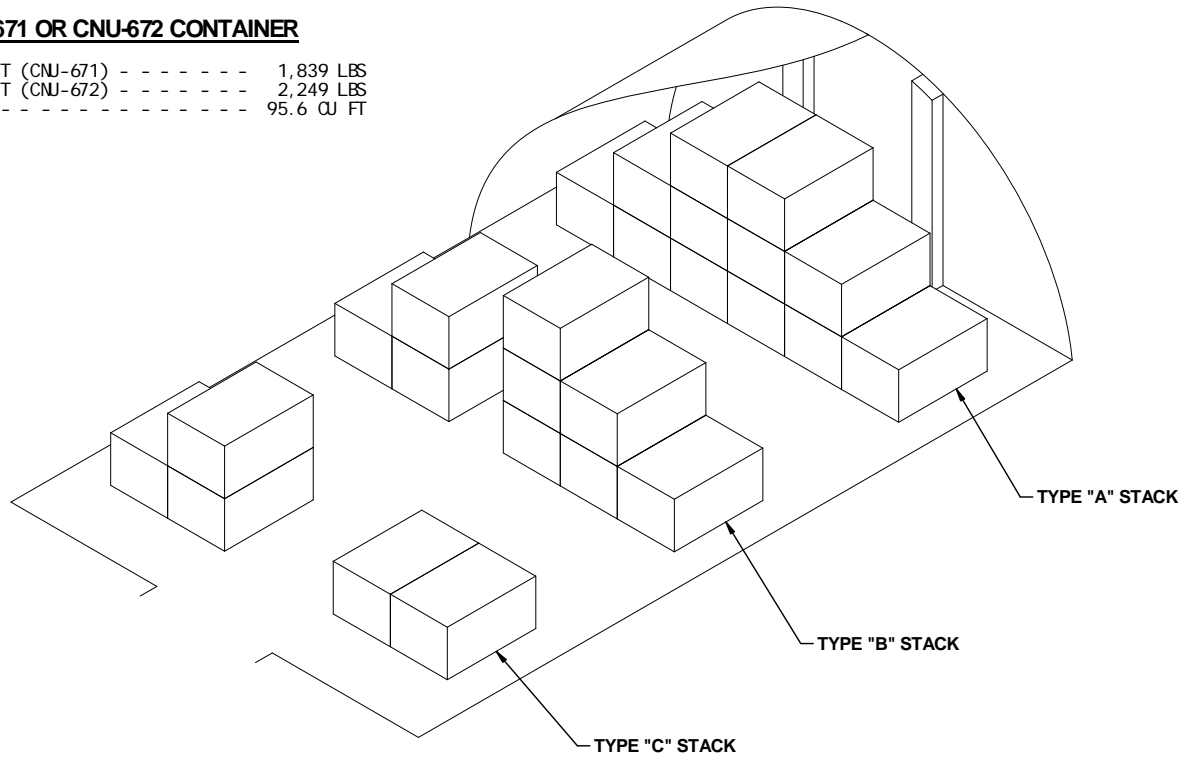
MATERIAL SPECIFICATIONS

LUMBER - - - - - : SEE TM 743-200-1 (DUNNAGE LUMBER) AND VOLUNTARY PRODUCT STANDARD PS 20.



CNU-671 OR CNU-672 CONTAINER

GROSS WEIGHT (CNU-671) - - - - -	1,839 LBS
GROSS WEIGHT (CNU-672) - - - - -	2,249 LBS
CUBE - - - - -	95.6 CU FT

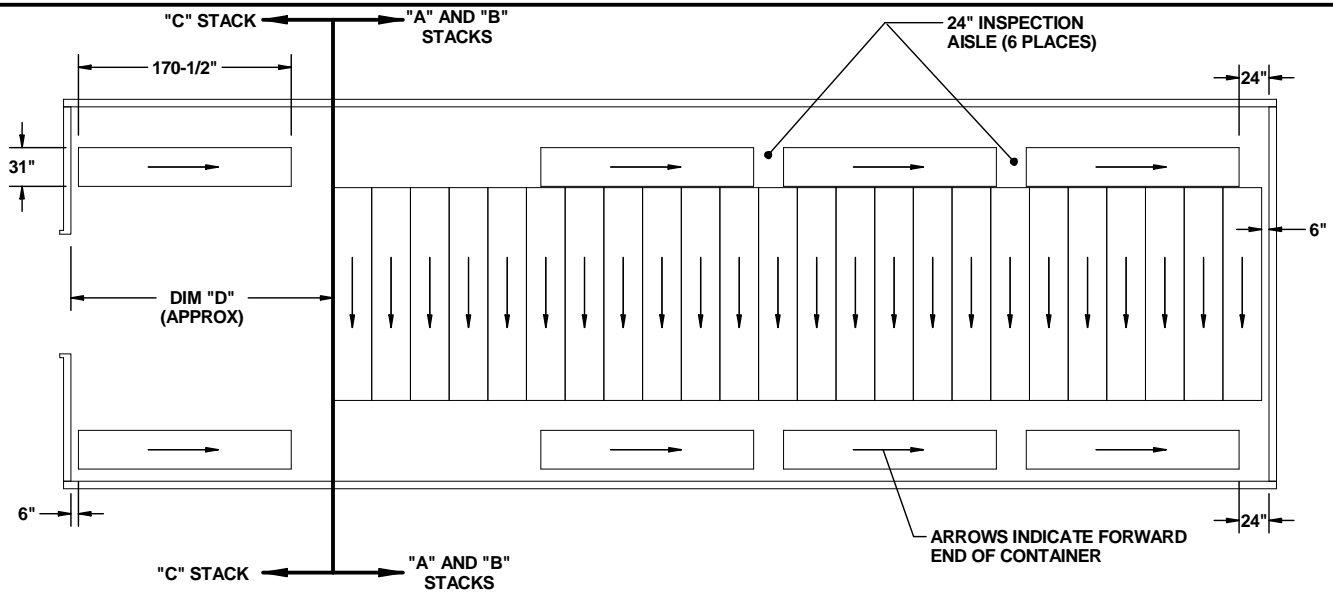


STACK IDENTIFICATION

A TYPE "A" STACK IS IDENTIFIED AS A GROUP OF ITEMS /UNITS WHICH EXTENDS FULL WIDTH AND HEIGHT OF THE MAGAZINE, AND IS ONE ITEM/UNIT LONG IN THE LENGTH OF THE MAGAZINE.

A TYPE "B" STACK IS IDENTIFIED AS A GROUP OF ITEMS/UNITS WHICH EXTEND FULL WIDTH AND HEIGHT OF THE MAGAZINE, AND IS ONE UNIT/ITEM LONG, BUT HAS AN AISLE AT OR NEAR THE CENTER OF THE WIDTH OF THE STACK.

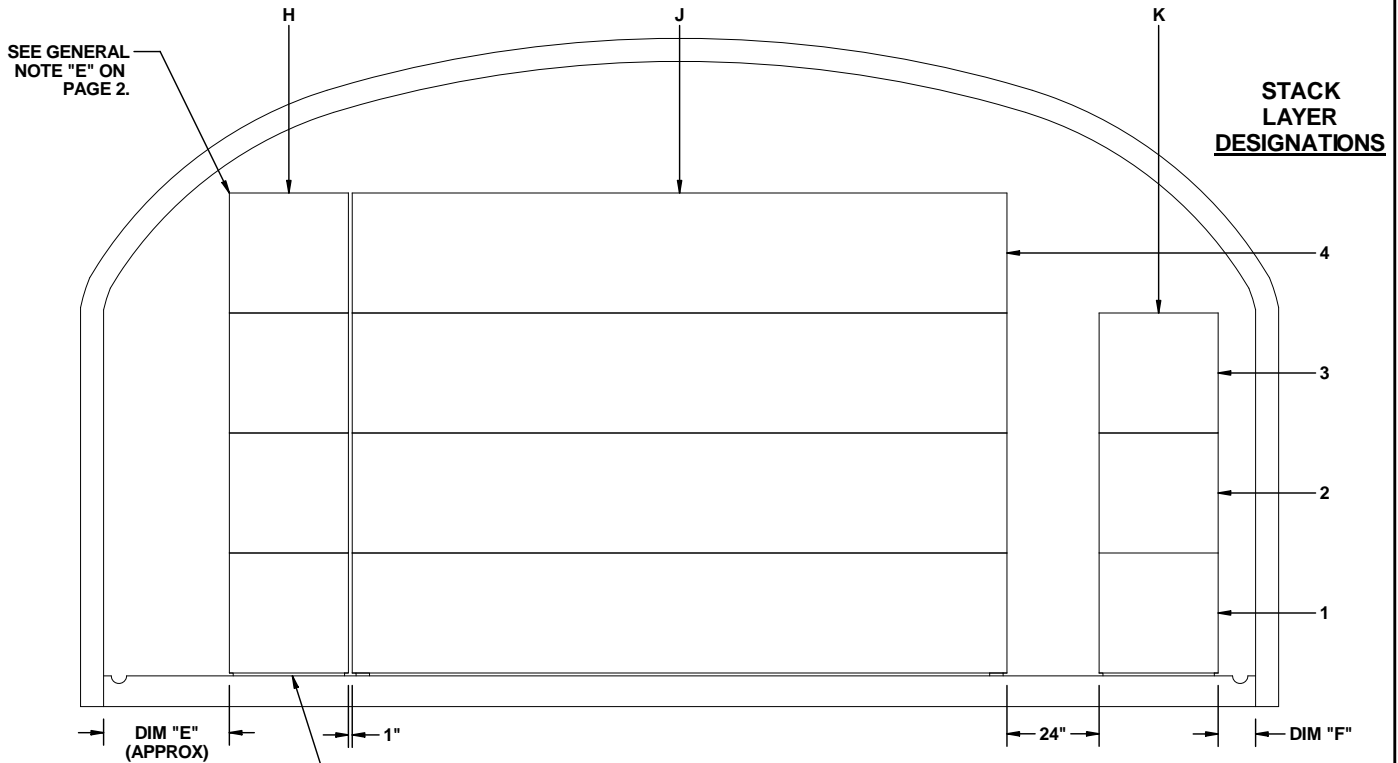
A TYPE "C" STACK IS IDENTIFIED AS A GROUP OF ITEMS/UNITS WHICH IS ONE UNIT/ITEM LONG AND CONSISTS OF PARTIAL STACKS ON EACH SIDE OF THE MAGAZINE, USUALLY ONE ITEM/UNIT HIGH ON ONE SIDE OF THE MAGAZINE.



PLAN VIEW

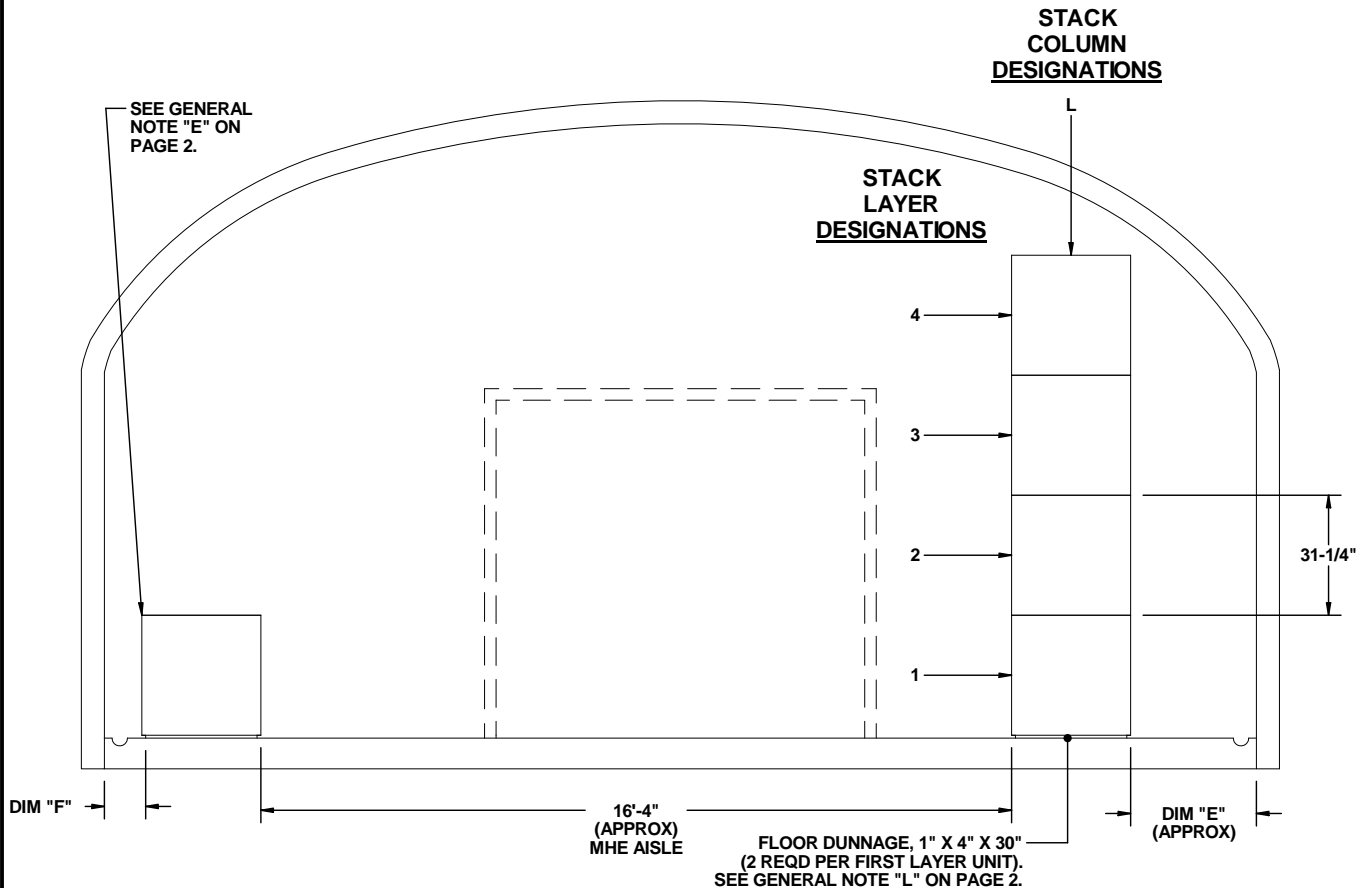
NOTE: FOR IDENTIFICATION OF LETTERED DIMENSIONS REFER TO CHART 1 ON PAGE 6.

STACK COLUMN DESIGNATIONS



FLOOR DUNNAGE, 1" X 4" X 30" (2 REQD PER FIRST LAYER UNIT). SEE GENERAL NOTE "L" ON PAGE 2.

"A" AND "B" STACKS
 (TYPICAL "A" AND "B" STACKS FOR STRADLEY MAGAZINE. SEE "STACK IDENTIFICATION" ON PAGE 3 AND "CHART 2 - STACK CONFIGURATION" ON PAGE 7. NOTE THAT THE "G" COLUMN IS NOT SHOWN IN THE STRADLEY. FLOOR DUNNAGE IS SHOWN AS AN EXAMPLE)



SEE GENERAL NOTE "E" ON PAGE 2.

STACK COLUMN DESIGNATIONS

STACK LAYER DESIGNATIONS

31-1/4"

DIM "F"

16'-4"
(APPROX)
MHE AISLE

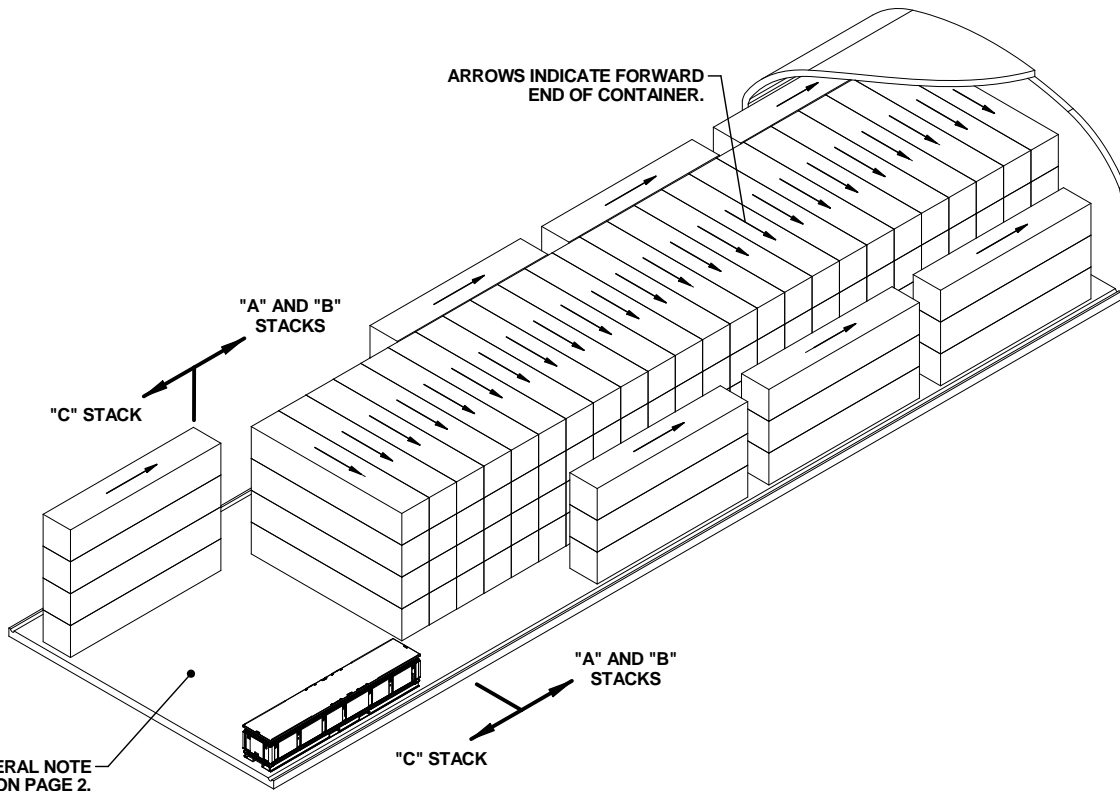
FLOOR DUNNAGE, 1" X 4" X 30"
(2 REQD PER FIRST LAYER UNIT).
SEE GENERAL NOTE "L" ON PAGE 2.

DIM "E"
(APPROX)

"C" STACK

TYPICAL "C" STACK FOR STRADLEY MAGAZINE.
(SEE "STACK IDENTIFICATION " ON PAGE 3 AND
"CHART 2 - STACK CONFIGURATION" ON PAGE 7)
NOTE THAT THE "M" COLUMN IS NOT SHOWN IN
THE STRADLEY.

NOTE: FOR IDENTIFICATION OF
LETTERED DIMENSIONS REFER
TO CHART 1 ON PAGE 6.



ISOMETRIC VIEW

STRADLEY MAGAZINE SHOWN AS TYPICAL.

CHART 1 - DIMENSIONS

MAGAZINE DIMENSIONS	MAGAZINE TYPE													
	IGLOO			ARCH 12'		ARCH 11'		ARCH 10'		OVVAL ARCH	STRADLEY	STEEL ARCH		
LENGTH	40'-4"	60'-8"	81'-0"	26'-6"	81'-2"	40'-0"	80'-0"	40'-0"	80'-0"	89'-0"	80'-0"	59'-0"	89'-0"	
WIDTH		26'-6"		26'-6"	25'-0"	25'-0"	25'-0"	25'-0"	25'-0"	24'-10"	25'-0"	25'-0"	24'-11"	
HEIGHT		12'-9"		12'-1-3/4"		11'-0"		10'-0"		14'-5"	14'-0"	14'-0"	13'-6"	
DIMENSIONS	CONTAINER SPACING DIMENSIONS													
DIM "D" (M THE AISLE APPROX)	16'-7"	16'-1"	18'-7"	18'-0"	18'-2"	16'-10"	15'-7"	16'-10"	16'-3"	17'-6"	19'-0"	12'-6"	17'-3"	16'-5"
DIM "E" ("B" STACK LEFT)	11"	11"	11"	30"	21"	21"	27"	27"	16"	16"	20"	33"	33"	32"
DIM "F" ("B" STACK RIGHT APPROX)	18"	18"	18"	26"	21"	21"	14"	14"	17"	17"	20"	9"	9"	9"

SPECIAL NOTES:

- THE FOLLOWING NOTES, CHART 1 ON THIS PAGE AND CHART 2 ON PAGE 7 ARE PRESENTED AS GUIDANCE IN THE SELECTION OF A STORAGE PATTERN, AND IN DETERMINING THE QUANTITY OF CONTAINERS WHICH CAN BE STORED IN THE STORAGE MAGAZINES LISTED IN THESE CHARTS.
- CHART 1 ON THIS PAGE DESCRIBES THE STORAGE MAGAZINE GENERAL DIMENSIONS AND THE DIMENSIONS OF THE CONTAINER SPACING WITHIN THE STORAGE MAGAZINES.
- DIMENSIONS "A", "B" AND "C" HAVE BEEN OMITTED TO AVOID CONFUSION WITH STACKS "A", "B" AND "C".
- CHART 2 ON PAGE 7 DETAILS THE QUANTITY OF CONTAINERS IN EACH TYPE OF MAGAZINE AND THE LAYOUT OF THE STACKS FOR EACH TYPE OF MAGAZINE. THE CHART SHOWS THE NUMBER OF UNITS IN EACH STACK LAYER AND THE LOCATION OF THE CONTAINER ON EACH LAYER.

(CONTINUED AT RIGHT)

EXAMPLE:

CHART 2 - "A" STACK CONFIGURATION
MAGAZINE: STRADLEY

- LAYER NUMBER 1: 1 (J)
- LAYER NUMBER 2: 1 (J)
- LAYER NUMBER 3: 1 (J)
- LAYER NUMBER 4: 1 (J)

EXPLANATION:

- LAYER 1 (BOTTOM LAYER) HAS ONE CONTAINER IN THE "J" COLUMN.
- LAYER 2 (ABOVE LAYER 1) HAS ONE CONTAINER IN THE "J" COLUMN.
- LAYER 3 (ABOVE LAYER 2) HAS ONE CONTAINER IN THE "J" COLUMN.
- LAYER 4 (TOP LAYER) HAS ONE CONTAINER IN THE "J" COLUMN.

CHART 2 - STACK CONFIGURATION

MAGAZINE TYPE														
QUANTITY PER MAGAZINE	IGLOO			ARCH 12'	ARCH 12' X 25' W		ARCH 11'		ARCH 10'		OVAL ARCH	STRADLEY	STEEL ARCH	
	40'-4" L	60'-8" L	81'-0" L	26'-6" W	40'-0" L	80'-0" L	40'-0" L	80'-0" L	40'-0" L	80'-0" L	145	122	59'-0" L	89'-0" L
37	66	92	87	31	87	31	80	25	55	145	122	78	132	
"A" STACK CONFIGURATION														
LAYER	CONTAINERS PER LAYER													
1	1(J)			1(J)	1(J)		1(J)		1(J)		1(J)	1(J)	1(J)	
2	1(J)			1(J)	1(J)		1(J)		1(J)		1(J)	1(J)	1(J)	
3	1(J)			1(J)	1(J)		1(J)		--		1(J)	1(J)	1(J)	
4	--			--	--		--		--		1(J)	1(J)	1(J)	
SINGLE STACK TOTAL	3			3	3		3		2		4	4	4	
NUMBER OF STACKS	9	17	24	24	8	24	9	24	9	24	27	24	16	28
"A" STACK TOTAL	27	51	72	72	24	72	27	72	18	48	108	96	64	112
"B" STACK CONFIGURATION - TO THE LEFT OF "A" STACK														
LAYER	CONTAINERS PER LAYER													
1	2(G-H)			1(H)	1(H)		1(H)		2(G-H)		1(H)	1(H)	1(H)	
2	1(H)			1(H)	1(H)		--		1(H)		1(H)	1(H)	1(H)	
3	1(H)			--	--		--		--		1(H)	1(H)	1(H)	
4	--			--	--		--		--		1(H)	1(H)	--	
SINGLE STACK TOTAL	4			2	2		1		3		4	4	3	
NUMBER OF STACKS	1	2	3	3	1	3	1	3	1	3	4	3	2	4
"B" STACK LF TOTAL	4	8	12	6	2	6	1	3	3	3	16	12	6	12
"B" STACK CONFIGURATION - TO THE RIGHT OF "A" STACK														
LAYER	CONTAINERS PER LAYER													
1	1(K)			1(K)	1(K)		1(K)		--		1(K)	1(K)	1(K)	1(K)
2	--			1(K)	1(K)		--		--		1(K)	1(K)	1(K)	--
3	--			--	--		--		--		1(K)	1(K)	--	--
4	--			--	--		--		--		1(K)	--	--	--
SINGLE STACK TOTAL	1			2	2		1		0		4	3	2	1
NUMBER OF STACKS	1	2	3	3	1	3	1	3	0	0	4	3	2	4
"B" STACK RT TOTAL	1	2	3	6	2	6	1	3	0	0	16	9	4	4
"C" STACK CONFIGURATION - LEFT SIDE														
LAYER	CONTAINERS PER LAYER													
1	2(L-M)			1(L)	1(L)		1(L)		2(L-M)		1(L)	1(L)	1(L)	
2	1(L)			1(L)	1(L)		--		1(L)		1(L)	1(L)	1(L)	
3	1(L)			--	--		--		--		1(L)	1(L)	1(L)	
4	--			--	--		--		--		1(L)	1(L)	--	
SINGLE STACK TOTAL	4			2	2		1		3		4	4	3	
NUMBER OF STACKS	1			1			1		1		1	1	1	
"C" STACK LF TOTAL	4			2	2		1		3		4	4	3	
"C" STACK CONFIGURATION - RIGHT SIDE														
"C" STACK RT TOTAL	1			1			1		1		1	1	1	

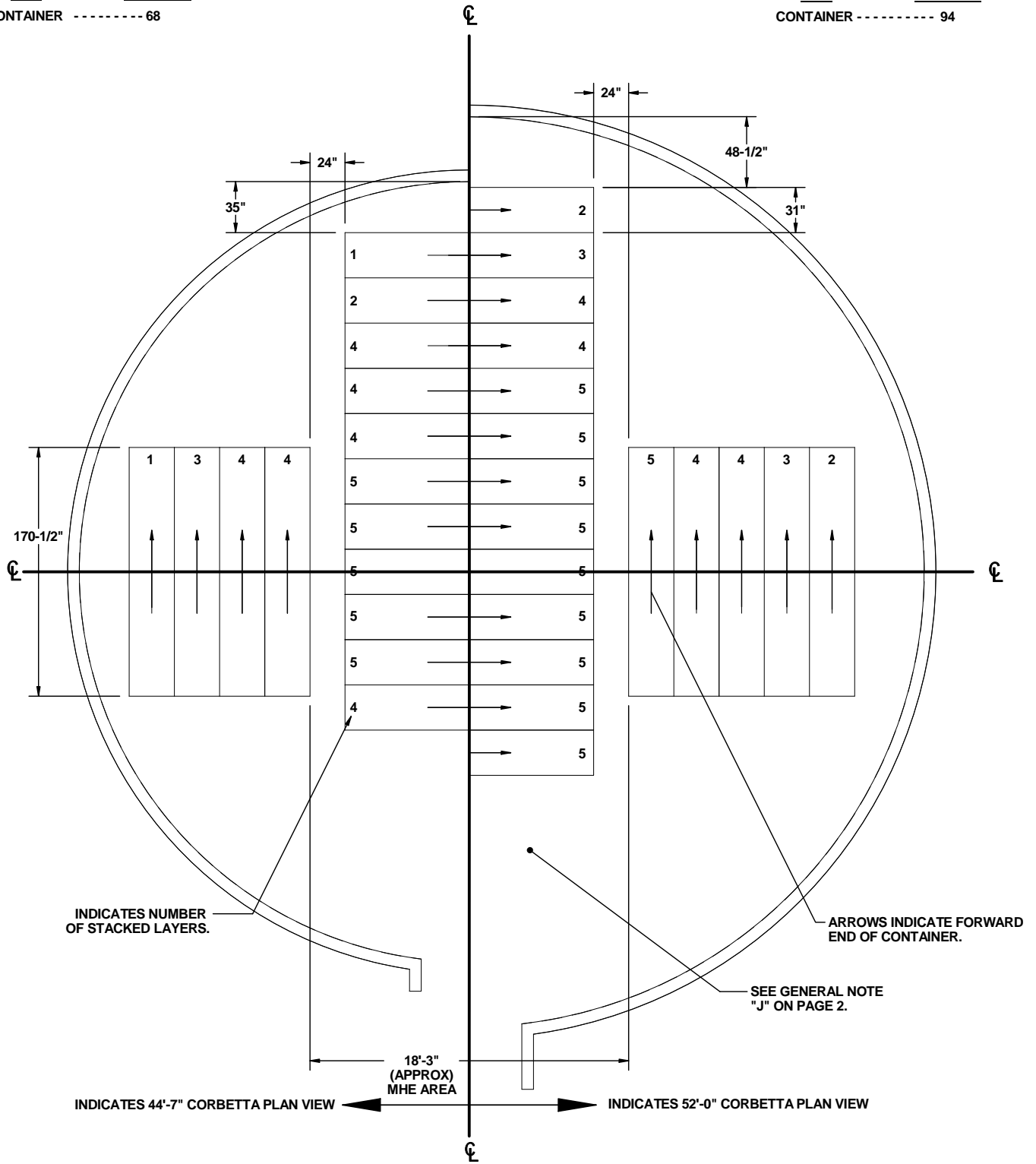
NOTE: "M" COLUMNS WILL BE LOCATED TO THE IMMEDIATE LEFT OF THE "L" COLUMNS.

STORAGE IN 44'-7" MAGAZINE

STORAGE IN 52'-0" MAGAZINE

ITEM QUANTITY
CONTAINER ----- 68

ITEM QUANTITY
CONTAINER ----- 94



INDICATES NUMBER OF STACKED LAYERS.

ARROWS INDICATE FORWARD END OF CONTAINER.

SEE GENERAL NOTE "J" ON PAGE 2.

INDICATES 44'-7" CORBETTA PLAN VIEW ← 18'-3" (APPROX) MHE AREA → INDICATES 52'-0" CORBETTA PLAN VIEW

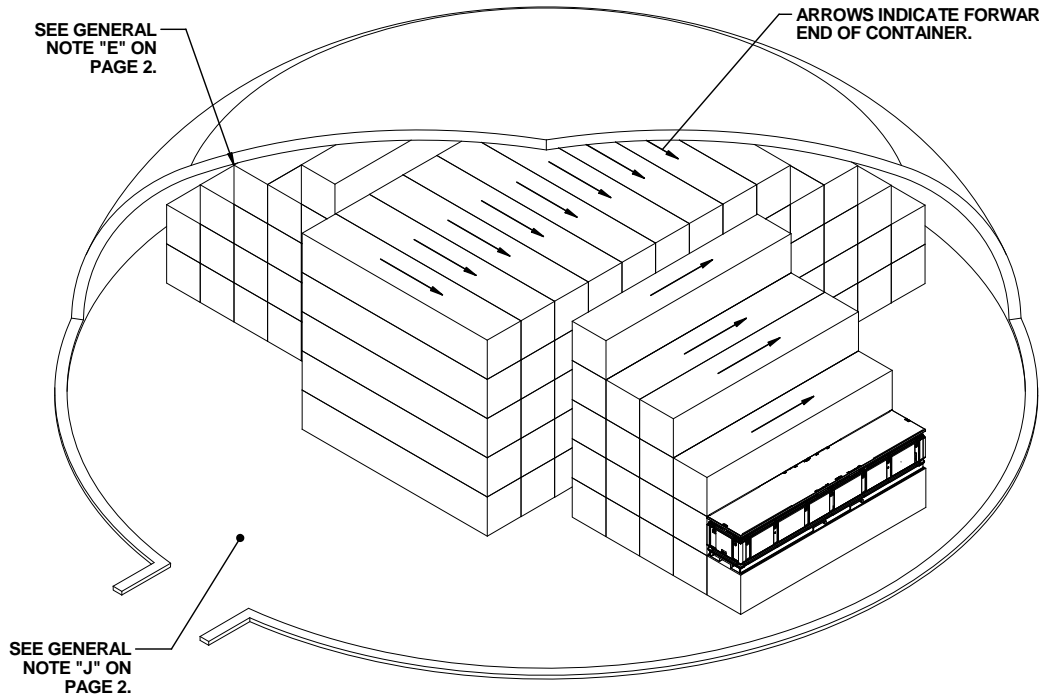
PLAN VIEW

THE RIGHT HAND PLAN VIEW INDICATES A 52'-0" CORBETTA MAGAZINE, AND THE LEFT HAND PLAN VIEW INDICATES A 44'-7" CORBETTA MAGAZINE. BOTH SIZE MAGAZINE LAYOUTS ARE SYMMETRICAL AROUND THE VERTICAL CENTER LINE.

CORBETTA MAGAZINE

SEE GENERAL
NOTE "E" ON
PAGE 2.

ARROWS INDICATE FORWARD
END OF CONTAINER.



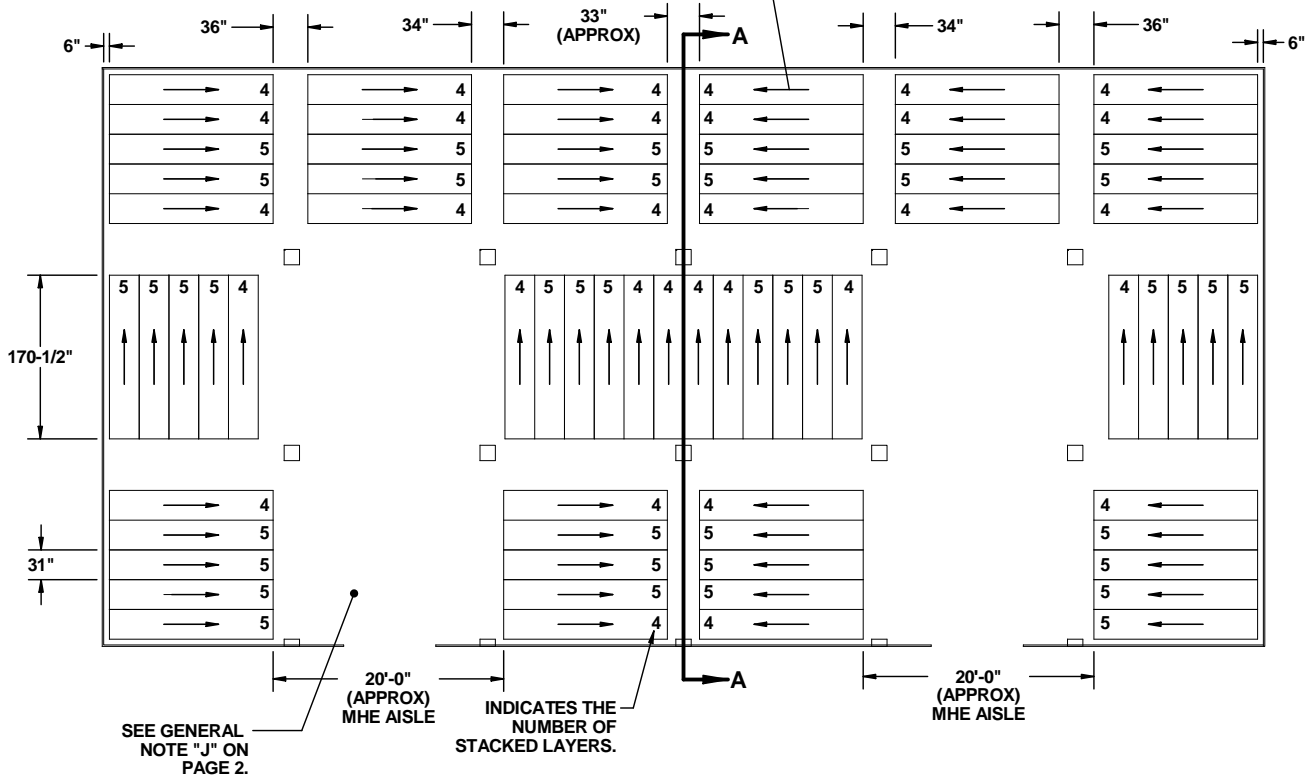
SEE GENERAL
NOTE "J" ON
PAGE 2.

ISOMETRIC VIEW
(52' - 0" DIA MAGAZINE)

**STORAGE IN RECTANGULAR
MAGAZINE**

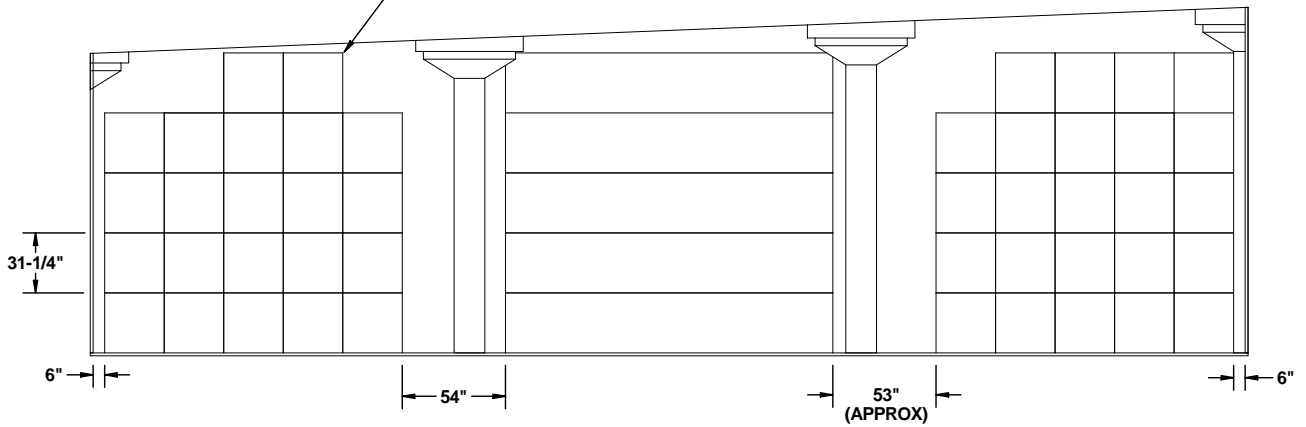
ITEM QUANTITY
CONTAINER ----- 328

ARROWS INDICATE FORWARD
END OF CONTAINER.

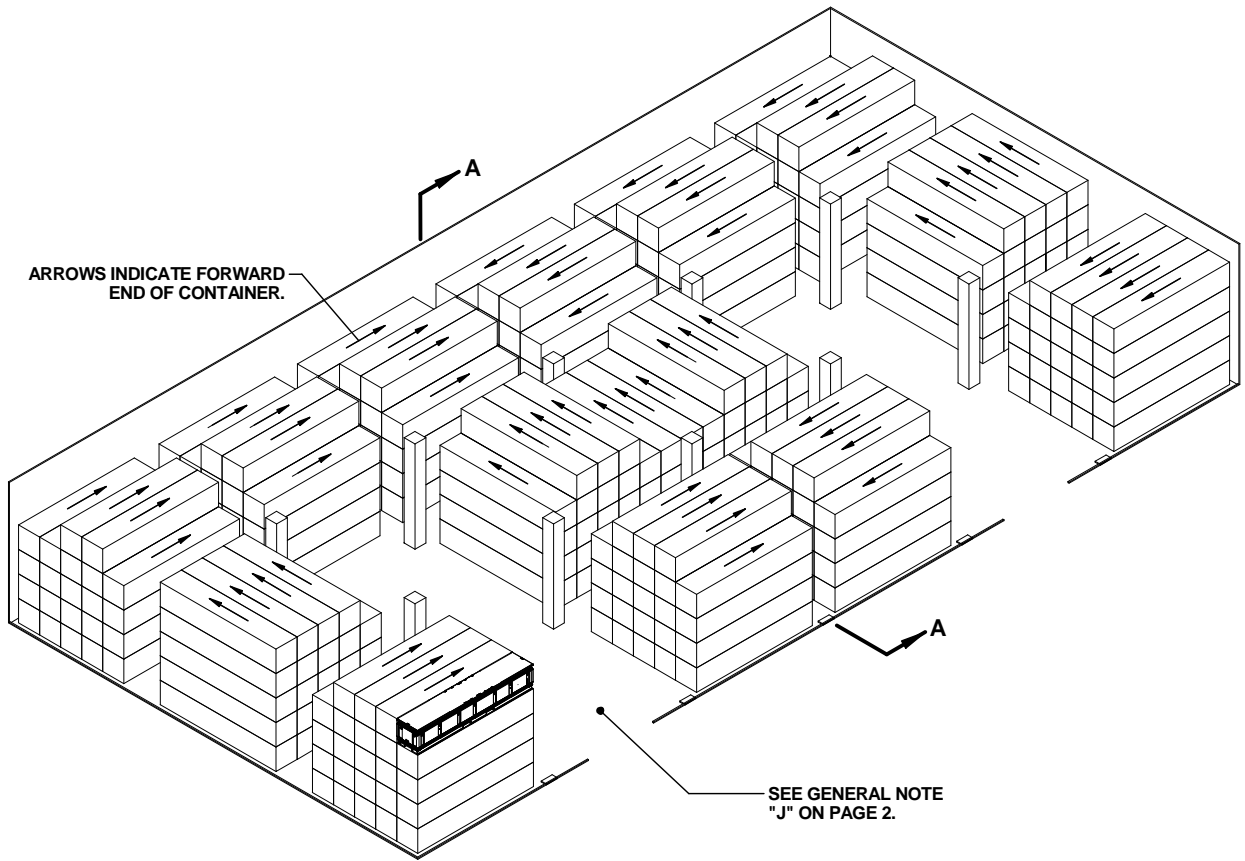


PLAN VIEW

SEE GENERAL NOTE
"E" ON PAGE 2.



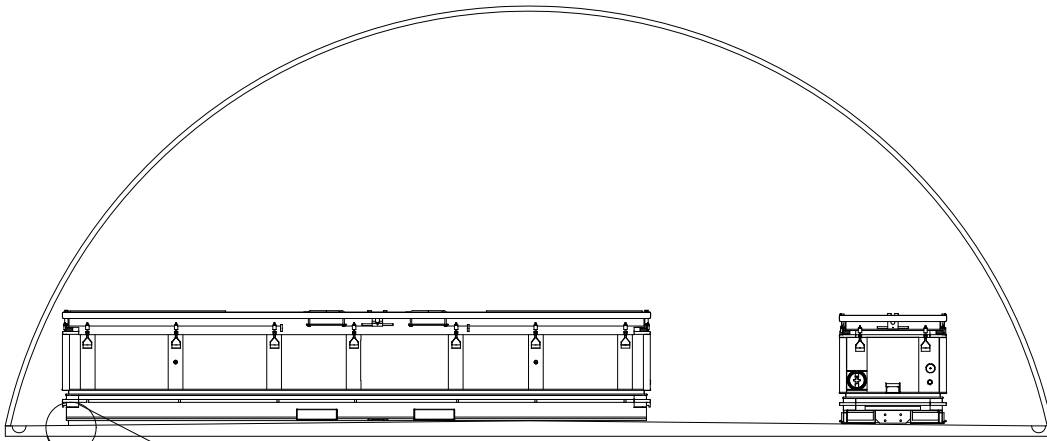
SECTION A-A



ARROWS INDICATE FORWARD
END OF CONTAINER.

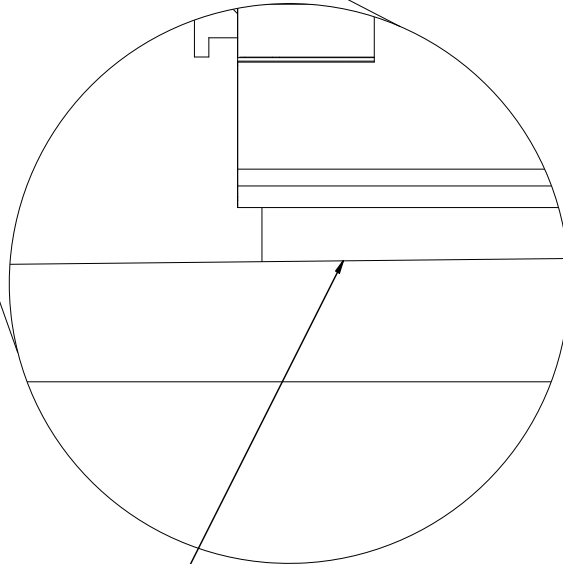
SEE GENERAL NOTE
"J" ON PAGE 2.

ISOMETRIC VIEW



SHIM DETAIL

SEE GENERAL NOTE "P" ON PAGE 2.



SHIM (AS REQD TO PROVIDE A LEVEL BEARING SURFACE FOR THE CONTAINER SKIDS). POSITION UNDER CONTAINER SKIDS. SEE GENERAL NOTE "P" ON PAGE 2.

SHIM LOCATION DETAIL