


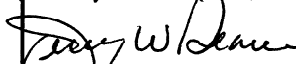


STORAGE IN APPROVED MAGAZINES OF BSU-84, BSU-88 OR BSG-92 AIRFOIL GROUP PACKED IN CNU-373/E SHIPPING AND STORAGE CONTAINERS

INDEX

ITEM	PAGE(S)
GENERAL NOTES AND MATERIAL SPECIFICATIONS	2
DETAILS	3
STORAGE PROCEDURES (EARTH COVERED MAGAZINES):	
TYPICAL STORAGE IN ARCHED OR ROUNDED ROOF MAGAZINES	4, 7
CORBETTA MAGAZINE	8, 9
100' -8" L X 50' -0" W RECTANGULAR MAGAZINE	10, 11
TYPICAL MULTIPLE-LOT STORAGE PROCEDURES	12-14

U.S. ARMY MATERIEL COMMAND DRAWING

APPROVED, U.S. ARMY JOINT MUNITIONS COMMAND TPR		CAUTION: VERIFY PRIOR TO USE AT WWW.DAC.ARMY.MIL THAT THIS IS THE MOST CURRENT VERSION OF THIS DOCUMENT. THIS IS PAGE 1 OF 14.			
	DO NOT SCALE			JULY 2003	
	ENGINEER OR TECHNICIAN	BASIC REV.	MELVIN SIX		
AMSTA-AR-WEP-RP			MELVIN SIX		
APPROVED BY ORDER OF COMMANDING GENERAL, U.S. ARMY MATERIEL COMMAND	TRANSPORTATION ENGINEERING DIVISION			REVISION NO. 1	NOVEMBER 2006
	VALIDATION ENGINEERING DIVISION			SEE THE REVISION LISTING ON PAGE 2	
U.S. ARMY DEFENSE AMMUNITION CENTER	ENGINEERING DIRECTORATE			CLASS	DIVISION
				19	48
				DRAWING	FILE
				8690	SP1-3-4-14-22J41

PROJECT SP 389-00

GENERAL NOTES

- A. THIS DOCUMENT HAS BEEN PREPARED AND ISSUED IN ACCORDANCE WITH AR 740-1 AND AUGMENTS TM 743-200-1 (CHAPTER 5).
- B. THE STORAGE PROCEDURES SPECIFIED HEREIN ARE APPLICABLE TO BSU-84, BSU-88 OR BSG-92 AIRFOIL GROUP PACKED CNU-373/E CONTAINERS. SUBSEQUENT REFERENCE TO CONTAINERS MEANS THE CONTAINER WITH CONTENTS.
- C. FOR DETAILS OF THE CONTAINER, SEE AIR FORCE DRAWING 817218-30 AND THE "CNU-373/E CONTAINER" ON PAGE 3 OF THIS DRAWING.
- D. THE STORAGE PROCEDURES DEPICTED WITHIN THIS DOCUMENT ARE APPLICABLE FOR STORAGE IN VARIOUS TYPES AND SIZES OF MAGAZINES. THE STORAGE PROCEDURES DEPICTED FOR THE SPECIFIC TYPES OF MAGAZINES MAY ALSO BE UTILIZED TO STORE CONTAINERS IN OTHER TYPES OF APPROVED MAGAZINES. MINOR ADJUSTMENTS MAY BE MADE TO FACILITATE STORAGE IN OTHER TYPES OF MAGAZINES; HOWEVER, THE BASIC PRINCIPLES AS DEPICTED HEREIN WILL BE FOLLOWED.
- E. CAUTION: THE ALLOWABLE "EXPLOSIVE LIMIT" ESTABLISHED FOR A MAGAZINE IS NOT TO BE EXCEEDED. THIS LIMITATION MAY REQUIRE A QUANTITY REDUCTION FROM THE STORAGE AS SHOWN.
- F. STORED CONTAINERS MUST NOT CONTACT THE WALLS OF A MAGAZINE. THEREFORE, CONTAINERS WILL BE STORED A MINIMUM OF 6" FROM THE SIDEWALL OR CURVATURE OF THE MAGAZINE AS APPLICABLE. TO PROVIDE FOR THIS MANDATORY CLEARANCE REQUIREMENT, UNITS MAY BE ELIMINATED FROM THE DEPICTED STORAGE PATTERN AS NECESSARY.
- G. AISLE DIMENSIONS SHOWN FOR STORAGE PROCEDURES IN MAGAZINES MAY BE ADJUSTED TO SUIT LOCAL CONDITIONS, AND/OR AVAILABLE MATERIALS HANDLING EQUIPMENT (MHE). HOWEVER, A 24" MINIMUM INSPECTION AISLE MUST BE MAINTAINED AT THE END OF THE CONTAINERS WHERE HUMIDITY INDICATORS ARE LOCATED.
- H. THE MAXIMUM FLOOR LOAD FOR A MAGAZINE AS PRESCRIBED BY LOCAL STANDARDS WILL NOT BE EXCEEDED.
- J. IF AVAILABLE MHE PERMITS, ADDITIONAL CONTAINERS MAY BE STORED WITHIN THE MHE AREA AND/OR OTHER AVAILABLE AREA OF THE MAGAZINE.
- K. IF THE QUANTITY OF CONTAINERS FOR A MAGAZINE IS TO BE REDUCED FROM WHAT IS SHOWN HEREIN DUE TO THE PERMITTED "EXPLOSIVE LIMIT" OR FOR ANY OTHER REASON, SUCH AS A LIMITED QUANTITY TO BE STORED, THE DELINEATED PROCEDURES ARE TO BE ADJUSTED BY OMITTING STACKS RATHER THAN BY OMITTING LAYERS.
- L. THE HEIGHT OF THE PACKAGE GUARD ON SOME FORKLIFT TRUCKS MAY NOT PERMIT PLACEMENT OF SOME TOP LAYER CONTAINERS IN THE STACKS SHOWN IN THE STORAGE VIEWS HEREIN, UNLESS TWO UPPER CONTAINERS ARE HANDLED AS ONE LIFT OR THE PACKAGE GUARD IS REMOVED (TINE CARRIAGE WILL IN MOST INSTANCES PROVIDE ADEQUATE PACKAGE GUARD PROTECTION). ONLY A FORKLIFT TRUCK OF ADEQUATE CAPACITY WILL BE USED WHEN LIFTING TWO CONTAINERS AS ONE LIFT.
- M. STORAGE OF MULTIPLE LOTS IN A MAGAZINE WILL REQUIRE CAREFUL PRE-PLANNING SO AS TO INSURE MHE ACCESSIBILITY TO ANY LOT IN ACCORDANCE WITH REQUIREMENTS SET FORTH IN THE APPLICABLE "SPECIAL NOTES" SECTIONS OF THE MULTIPLE LOT STORAGE PROCEDURES TYPICALLY SHOWN ON PAGES 12 THROUGH 14.

(CONTINUED AT RIGHT)

MATERIAL SPECIFICATIONS

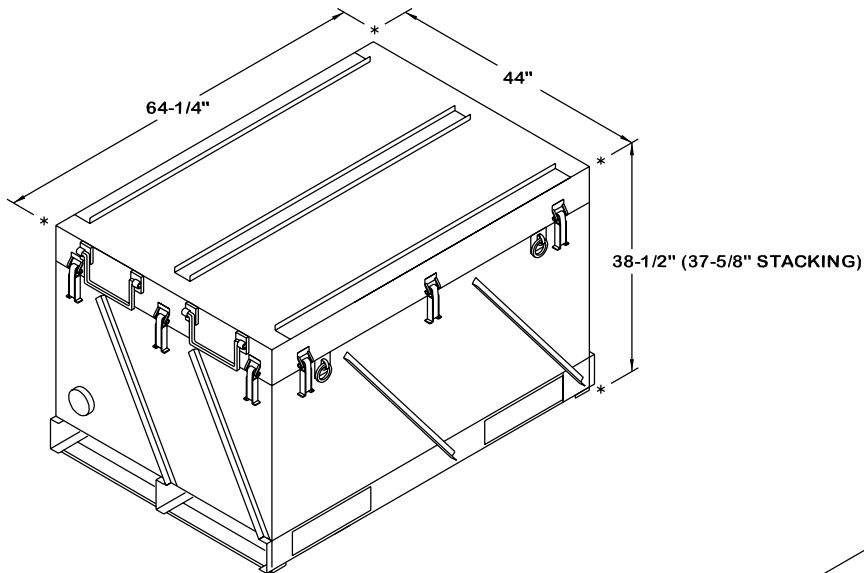
LUMBER - - - - - -: SEE TM 743-200-1 (DUNNAGE LUMBER) AND VOLUNTARY PRODUCT STANDARD PS 20.

(GENERAL NOTES CONTINUED)

- N. ALTHOUGH SPECIFIC PROCEDURES ARE INCLUDED IN THIS DRAWING FOR STORING MULTIPLE LOTS WITHIN ONE STRUCTURE, THE BASIC STORAGE PATTERN AS SHOWN ON PAGES 4 THRU 11 CAN ALSO BE ADAPTED FOR THE STORING OF MORE THAN ONE LOT, HOWEVER, THE USE OF A STAGGERED LAYER STORAGE PATTERN AS SHOWN IS PROHIBITED. MULTIPLE LOTS OF CONTAINERS, WHEN STORED IN ACCORDANCE WITH THE BASIC STORAGE PATTERN, MAY BE STORED WITH ONE OR MORE STACKS USED FOR EACH LOT. LOTS WILL NOT BE MIXED, EXCEPT TO THE EXTENT THAT UNITS OF ONE LOT WILL NOT BE STACKED ON TOP OF CONTAINERS FROM ANOTHER LOT. MULTIPLE LOTS OF CONTAINERS MAY BE STORED WITH ONE OR MORE ROWS USED FOR EACH LOT. (A ROW RUNS FROM THE REAR OF THE MAGAZINE TO THE FRONT). EACH LOT WITHIN THE MAGAZINE MUST BE ACCESSIBLE FOR REMOVAL AND INSPECTION/INVENTORY IN ACCORDANCE WITH OTHER CRITERIA SPECIFIED IN THESE GENERAL NOTES AND IN THE SPECIAL NOTES ON PAGES 12 THRU 14.
- O. ANY "LIGHT" CONTAINER THAT DOES NOT CONTAIN A FULL QUANTITY OF AIRFOILS WILL NOT BE BURIED IN STORAGE. IT MUST BE POSITIONED ADJACENT TO AN AISLE, PREFERABLY IN FRONT OF THE LOT.
- P. PORTIONS OF THE MAGAZINES, SUCH AS SIDE WALLS, END WALLS, AND ROOFS HAVE NOT BEEN SHOWN IN THE STORAGE VIEWS FOR CLARITY PURPOSES.
- Q. CONVERSION TO METRIC EQUIVALENTS: DIMENSIONS WITHIN THIS DOCUMENT ARE EXPRESSED IN INCHES AND WEIGHTS ARE EXPRESSED IN POUNDS. WHEN NECESSARY, THE METRIC EQUIVALENT MAY BE COMPUTED ON THE BASIS OF ONE INCH EQUALS 25.4 MM, AND ONE POUND EQUALS 0.454 KG.
- R. OTHER COMPATIBLE ITEMS MAY BE STORED IN A MAGAZINE, WHICH IS PARTIALLY FILLED WITH THE DESIGNATED ITEM.
- S. THE USE OF FLOOR DUNNAGE UNDER METAL CONTAINERS IS REQUIRED. THE PURPOSE OF FLOOR DUNNAGE IS TO KEEP THE METAL RUNNERS OFF THE DAMP FLOOR OF THE MAGAZINE, THUS, PREVENTING DETERIORATION OF THE RUNNERS DUE TO CORROSION. ONE-INCH THICK FLOOR DUNNAGE IS DEPICTED IN THIS DRAWING; THE USE OF THICKER FLOOR DUNNAGE MAY BE REQUIRED AND SHOULD BE USED TO ACHIEVE THE DESIRED OBJECTIVE.
- T. DUNNAGE LUMBER SPECIFIED THROUGHOUT THIS PROCEDURAL DRAWING IS OF NOMINAL SIZE. FOR EXAMPLE, 1" X 4" MATERIAL IS ACTUALLY 3/4" THICK BY 3-1/2" WIDE AND 2" X 6" MATERIAL IS ACTUALLY 1-1/2" THICK BY 5-1/2" WIDE.
- U. WHEN LOCAL STORAGE CONDITIONS ARE SUCH THAT AN AMMUNITION STORAGE MAGAZINE NET EXPLOSIVE WEIGHT LIMIT WILL BE REACHED BEFORE ALL AVAILABLE STORAGE SPACE WILL BE UTILIZED, A COMBINATION OF THE VARIOUS STORAGE PATTERNS DELINEATED HEREIN MAY BE USED IN LIEU OF BLOCK STORAGE PATTERNS TO FACILITATE INVENTORY, INSPECTION, THE USE OF MATERIAL HANDLING EQUIPMENT, SURVEILLANCE, ETC., OF THE AMMUNITION TO BE STORED WITHIN THE MAGAZINE.

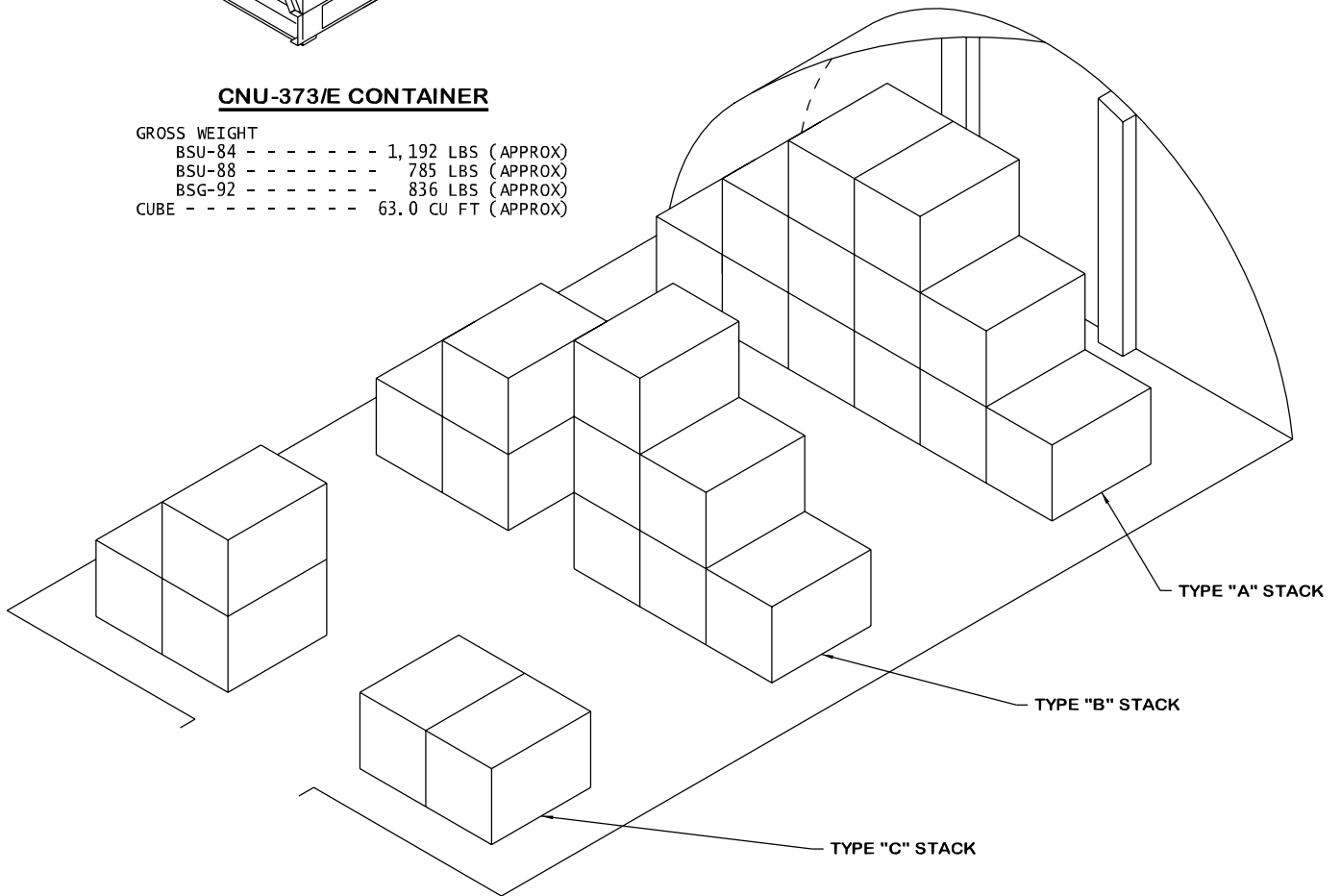
REVISION

REVISION NO. 1, DATED NOVEMBER 2006, CONSISTS OF:
ADDING REFERENCE TO BSU-88 AND BSG-92 TO THE DRAWING.



CNU-373/E CONTAINER

GROSS WEIGHT	
BSU-84 - - - - -	1,192 LBS (APPROX)
BSU-88 - - - - -	785 LBS (APPROX)
BSG-92 - - - - -	836 LBS (APPROX)
CUBE - - - - -	63.0 CU FT (APPROX)

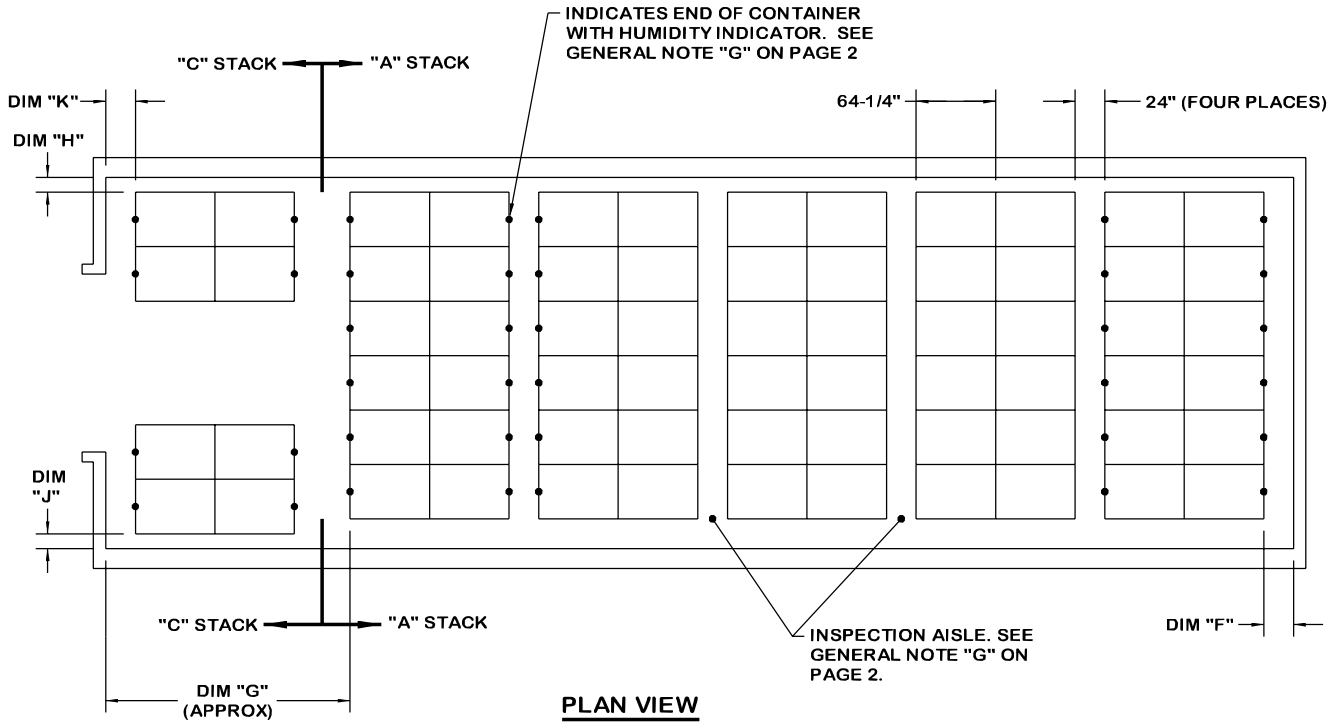


STACK IDENTIFICATION

A TYPE "A" STACK IS IDENTIFIED AS A GROUP OF ITEMS/UNITS WHICH EXTENDS FULL WIDTH AND HEIGHT OF THE MAGAZINE, AND IS ONE ITEM/UNIT LONG IN THE LENGTH OF THE MAGAZINE.

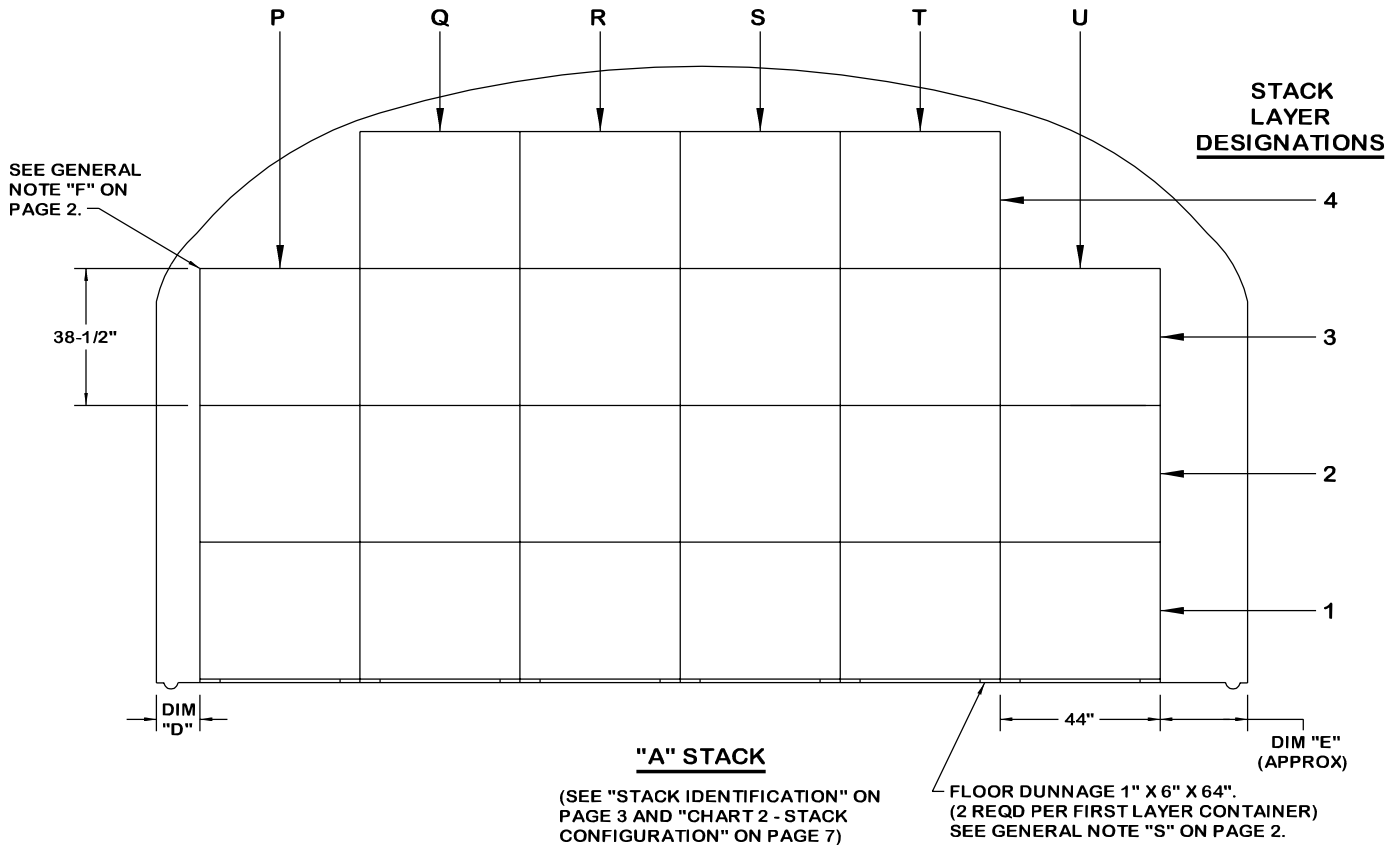
A TYPE "B" STACK IS IDENTIFIED AS A GROUP OF ITEMS/UNITS WHICH EXTENDS FULL WIDTH AND HEIGHT OF THE MAGAZINE, AND IS ONE ITEM/UNIT LONG, BUT HAS AN AISLE AT OR NEAR THE CENTER OF THE WIDTH OF THE STACK.

A TYPE "C" STACK IS IDENTIFIED AS A GROUP OF ITEMS/UNITS WHICH IS ONE ITEM/UNIT LONG AND CONSISTS OF PARTIAL STACKS ON EACH SIDE OF THE MAGAZINE, USUALLY ONE ITEM/UNIT HIGH ON ONE SIDE OF THE MAGAZINE.



NOTE: FOR IDENTIFICATION OF LETTERED DIMENSIONS REFER TO CHART 1 ON PAGE 6.

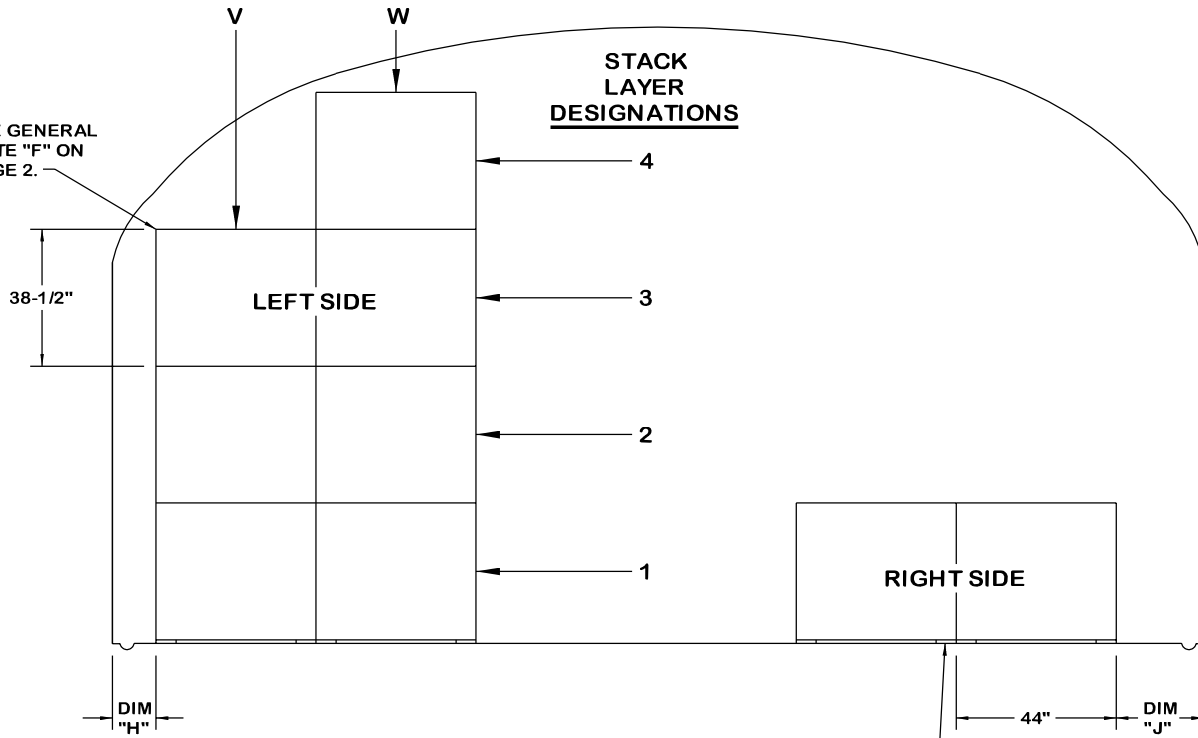
STACK COLUMN DESIGNATIONS



**STACK
COLUMN
DESIGNATIONS**

**STACK
LAYER
DESIGNATIONS**

SEE GENERAL
NOTE "F" ON
PAGE 2.

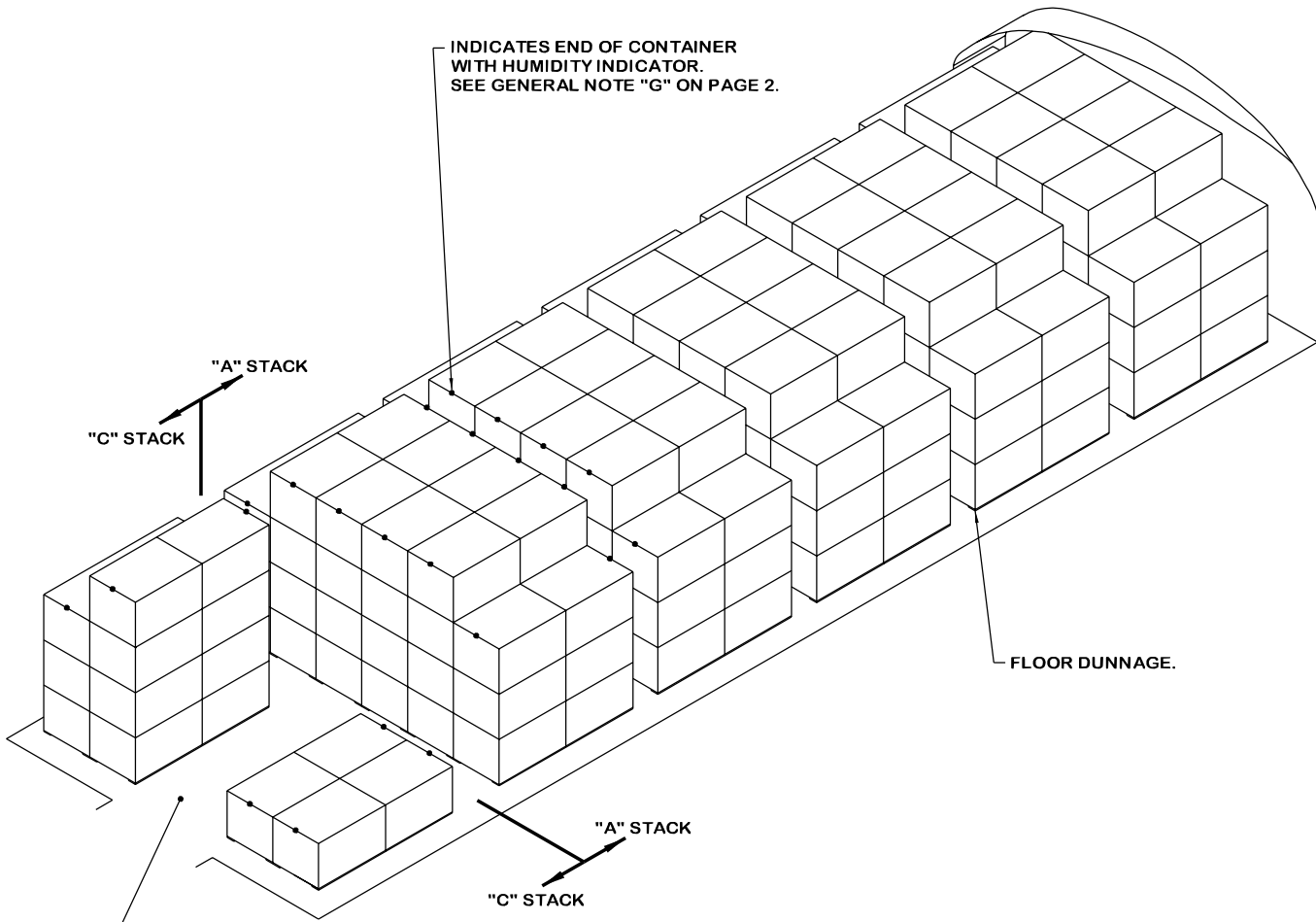


"C" STACK

(SEE "STACK IDENTIFICATION" ON PAGE 3 AND
"CHART 2 - STACK CONFIGURATION" ON PAGE 7)

FLOOR DUNNAGE 1" X 6" X 64".
(2 REQD PER FIRST LAYER CONTAINER)
SEE GENERAL NOTE "S" ON PAGE 2.

**NOTE: FOR IDENTIFICATION OF
LETTERED DIMENSIONS REFER
TO CHART 1 ON PAGE 6.**



ISOMETRIC VIEW

CHART 1 - DIMENSIONS*

MAGAZINE DIMENSIONS	MAGAZINE TYPE																	
	IGLOO			26'-6"	ARCH 12' 25'-0"		ARCH 11'		ARCH 10'		OVAL ARCH	STRADLEY	STEEL ARCH					
LENGTH	40'-4"	60'-8"	81'-0"	81'-2"	40'-0"	80'-0"	40'-0"	80'-0"	40'-0"	80'-0"	89'-0"	80'-0"	59'-0"	89'-0"				
WIDTH		26'-6"		26'-6"	25'-0"	25'-0"	25'-0"	25'-0"	25'-0"	25'-0"	24'-10"	25'-0"	25'-0"	24'-11"				
HEIGHT		12'-9"		12'-1-3/4"			11'-0"		11'-0"		14'-5"	14'-0"	13'-10"	13'-6"				
DIMENSIONS	CONTAINER SPACING DIMENSIONS																	
DIM "D" ("A" STACK LEFT)		14"		37"		28"		33"		25"		13"		12"		6"		9"
DIM "E" ("A" STACK RIGHT)		40"		61"		52"		47"		55"		35"		24"		30"		26"
DIM "F" ("A" STACK BACK)		24"		32"		32"		32"		24"		24"		24"		24"		24"
DIM "G" (MHE AISLE APPROX)	14'-11"	15'-2"	17'-7"	16'-11"	13'-11"	15'-9"	13'-11"	15'-9"	13'-11"	15'-9"	18'-1"	16'-5"	13'-6"	18'-1"				
DIM "H" ("C" STACK LEFT)		24"		37"		28"		28"		28"		35"		24"		12"		12"
DIM "J" ("C" STACK RIGHT)		10"		12"		7"		18"		18"		13"		12"		12"		12"
DIM "K" ("C" STACK FRONT)		24"		32"		32"		32"		32"		24"		24"		24"		24"

* SEE "CHART 2 - CHART CONFIGURATION" AND SPECIAL NOTES ON PAGE 7.

CHART 2 - STACK CONFIGURATION

MAGAZINE TYPE														
QUANTITY PER MAGAZINE	40' -4"L	IGLOO 60' -6"L	81' -0"L	ARCH 12' 26' -6"W	ARCH 12' X 25' W 40' -0"L 80' -0"L	ARCH 11' 40' -0"L 80' -0"L	ARCH 10' 40' -0"L 80' -0"L	OVAL ARCH	STRADLEY	STEEL ARCH 59' -0"L	ARCH 89' -0"L			
	68	110	152	142	64	142	52	118	44	98	247	226	124	188
"A" STACK CONFIGURATION														
LAYER	CONTAINERS PER LAYER													
1	6 (P-U)			5 (P-T)			5 (P-T)		5 (P-T)		6 (P-U)		6 (P-U)	
2	5 (Q-U)			5 (P-T)			4 (Q-T)		4 (Q-T)		6 (P-U)		5 (Q-U)	
3	3 (R-T)			3 (Q-S)			2 (R-S)		--		6 (P-U)		4 (Q-T)	
4	--			--			--		--		3 (R-T)		1 (Q)	
SINGLE STACK TOTAL	14			13			11		9		21		16	
NUMBER OF STACKS	4	7	10	10	4	10	4	10	4	10	11	10	7	11
STACK TOTAL	56	98	140	130	52	130	44	110	36	90	231	210	112	176
"C" STACK CONFIGURATION - LEFT SIDE														
LAYER	CONTAINERS PER LAYER													
1	2 (V-W)			2 (V-W)			2 (V-W)		2 (V-W)		2 (V-W)		2 (V-W)	
2	2 (V-W)			2 (V-W)			1 (W)		1 (W)		2 (V-W)		2 (V-W)	
3	1 (W)			1 (W)			--		--		2 (V-W)		1 (W)	
4	--			--			--		--		1 (W)		--	
SINGLE STACK TOTAL	5			5			3		3		7		5	
NUMBER OF STACKS	2			2			2		2		2		2	
STACK TOTAL	10			10			6		6		14		10	
"C" STACK CONFIGURATION - RIGHT SIDE														
STACK TOTAL	2			2			2		2		2		2	

SPECIAL NOTES:

- THE FOLLOWING NOTES, CHART 1 ON PAGE 6 AND CHART 2 ON THIS PAGE ARE PRESENTED AS GUIDANCE IN THE SELECTION OF A STORAGE PATTERN, AND IN DETERMINING THE QUANTITY OF UNITS WHICH CAN BE LOADED IN THE STORAGE MAGAZINES LISTED IN THESE CHARTS.
- CHART 1 ON PAGE 6 DESCRIBES THE STORAGE MAGAZINE GENERAL DIMENSIONS AND THE DIMENSIONS OF THE CONTAINER SPACING WITHIN THE STORAGE MAGAZINES.
- DIMENSIONS "A", "B" AND "C" HAVE BEEN OMITTED TO AVOID CONFUSION WITH STACKS "A", "B" AND "C".
- CHART 2 ON THIS PAGE DETAILS THE QUANTITY OF CONTAINERS IN EACH TYPE OF MAGAZINE AND THE LAYOUT OF THE STACKS FOR EACH TYPE OF MAGAZINE. THE CHART SHOWS THE NUMBER OF CONTAINERS IN EACH STACK LAYER AND THE LOCATION OF THE CONTAINERS ON EACH LAYER.

EXAMPLE:

CHART 2 - "A" STACK CONFIGURATION
MAGAZINE: IGLOO

LAYER NUMBER 1: 6 (P-U)
LAYER NUMBER 2: 5 (Q-U)
LAYER NUMBER 3: 3 (R-T)
LAYER NUMBER 4: --

EXPLANATION:

LAYER 1 (BOTTOM LAYER) HAS SIX CONTAINERS FROM THE "P" COLUMN (AGAINST THE LEFT SIDE OF THE MAGAZINE) TO THE "U" COLUMN (AGAINST THE RIGHT SIDE OF THE MAGAZINE).

LAYER 2 (ON TOP OF LAYER 1) HAS FIVE CONTAINERS FROM THE "Q" COLUMN (THE SECOND CONTAINER FROM THE LEFT ON THE BOTTOM LAYER) TO THE "U" COLUMN.

LAYER 3 (ON TOP OF LAYER 2) HAS THREE CONTAINERS FROM THE "R" COLUMN TO THE "T" COLUMN (THE SECOND CONTAINER FROM THE RIGHT ON THE BOTTOM LAYER).

LAYER 4 (ON TOP OF LAYER 3) HAS NO CONTAINERS.

STORAGE IN 44'-7" MAGAZINE

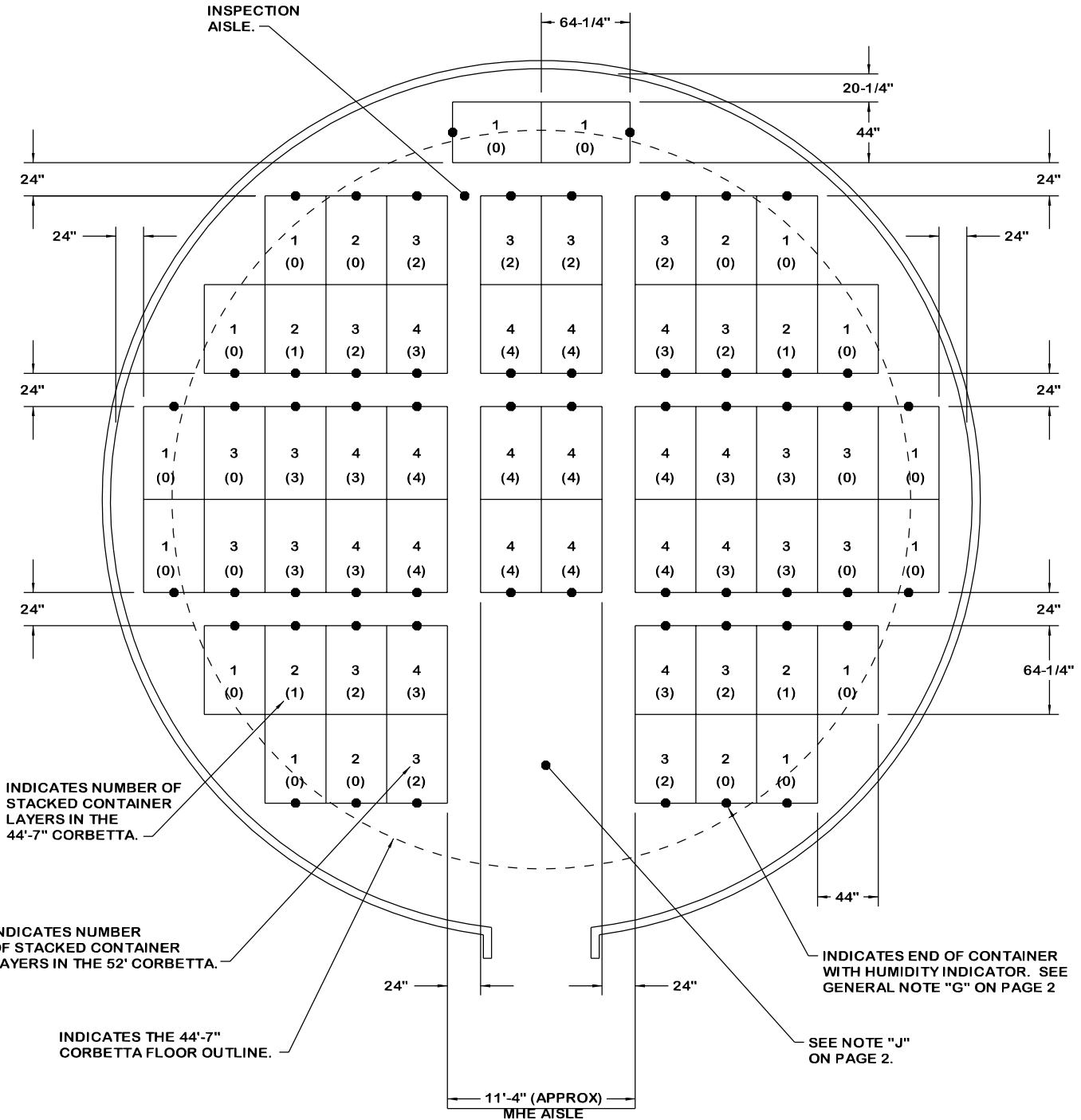
(15'-2-1/4" HIGH)

ITEM	QUANTITY
CONTAINER -----	100

STORAGE IN 52'-0" MAGAZINE

(16'-2-1/8" HIGH)

ITEM	QUANTITY
CONTAINER -----	156



INDICATES NUMBER OF STACKED CONTAINER LAYERS IN THE 44'-7" CORBETTA.

INDICATES NUMBER OF STACKED CONTAINER LAYERS IN THE 52' CORBETTA.

INDICATES THE 44'-7" CORBETTA FLOOR OUTLINE.

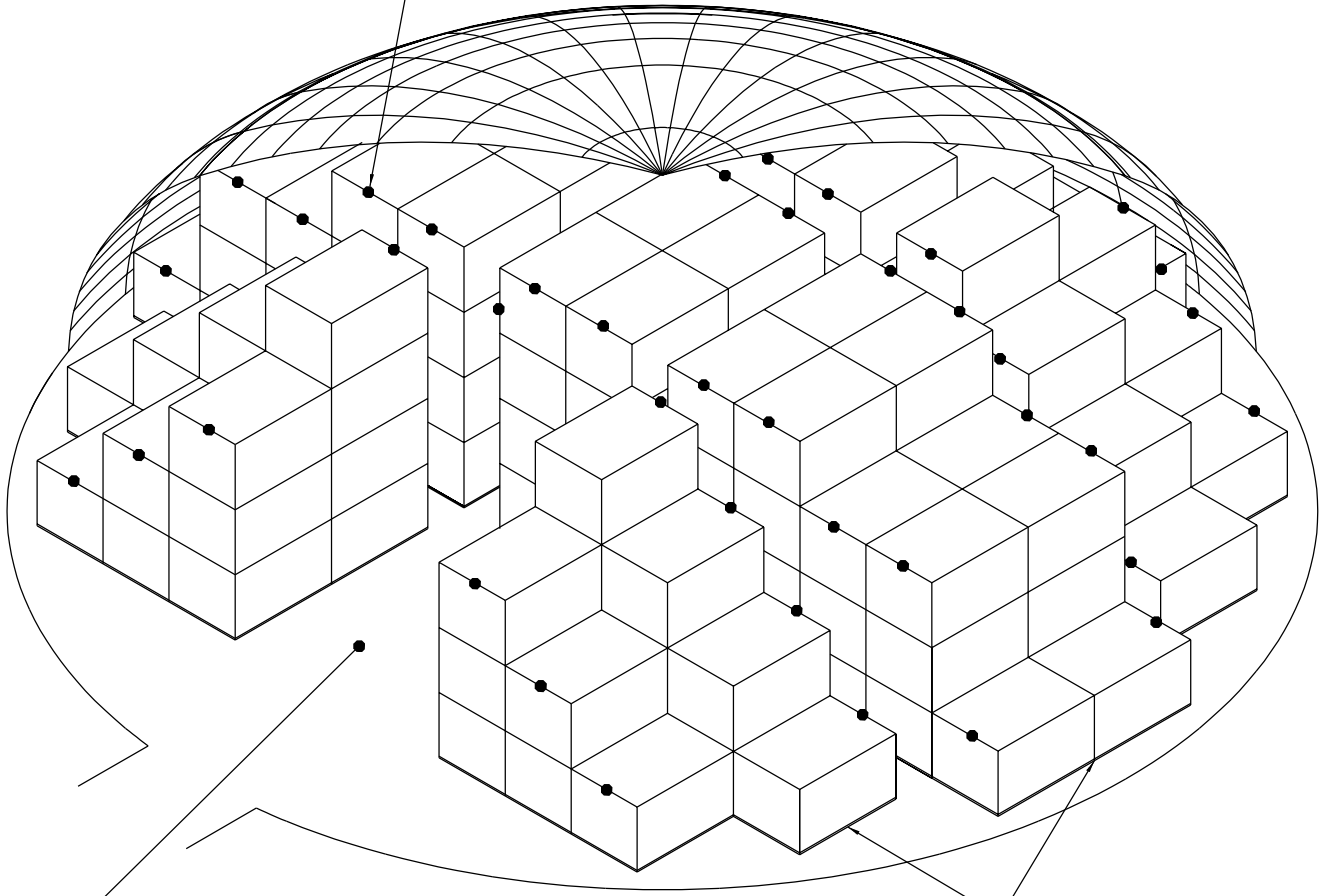
INDICATES END OF CONTAINER WITH HUMIDITY INDICATOR. SEE GENERAL NOTE "G" ON PAGE 2

SEE NOTE "J" ON PAGE 2.

NOTE: DOTTED FLOOR OUTLINE AND NUMBERS IN PARENTHESES INDICATE 44'-7" DIAMETER CORBETTA. SOLID FLOOR OUTLINE AND NUMBERS NOT IN PARENTHESES INDICATE 52'-0" DIAMETER CORBETTA.

PLAN VIEW

INDICATES END OF CONTAINER
WITH HUMIDITY INDICATOR.
SEE GENERAL NOTE "G" ON PAGE 2.

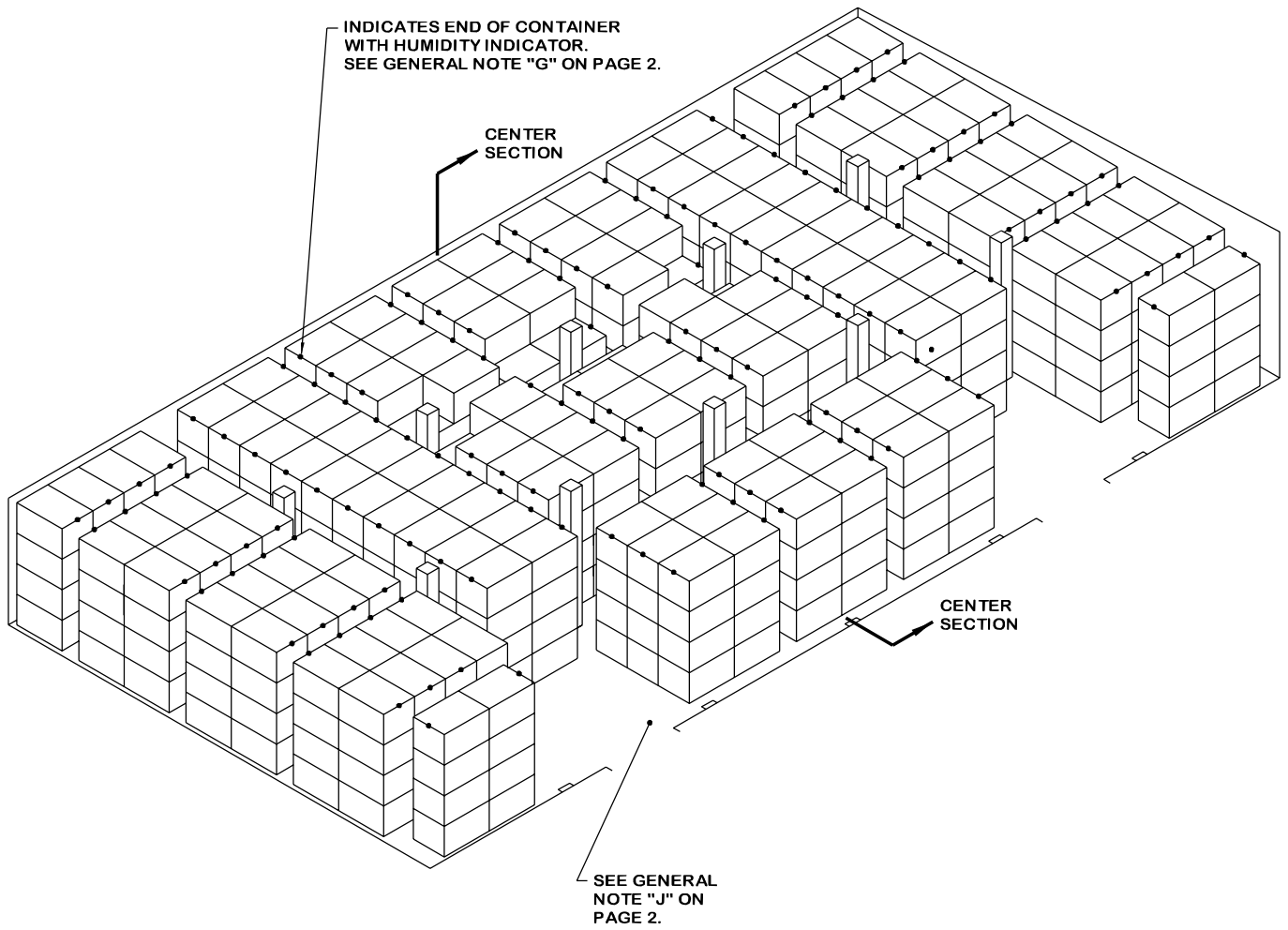


SEE GENERAL
NOTE "J" ON
PAGE 2.

FLOOR DUNNAGE.

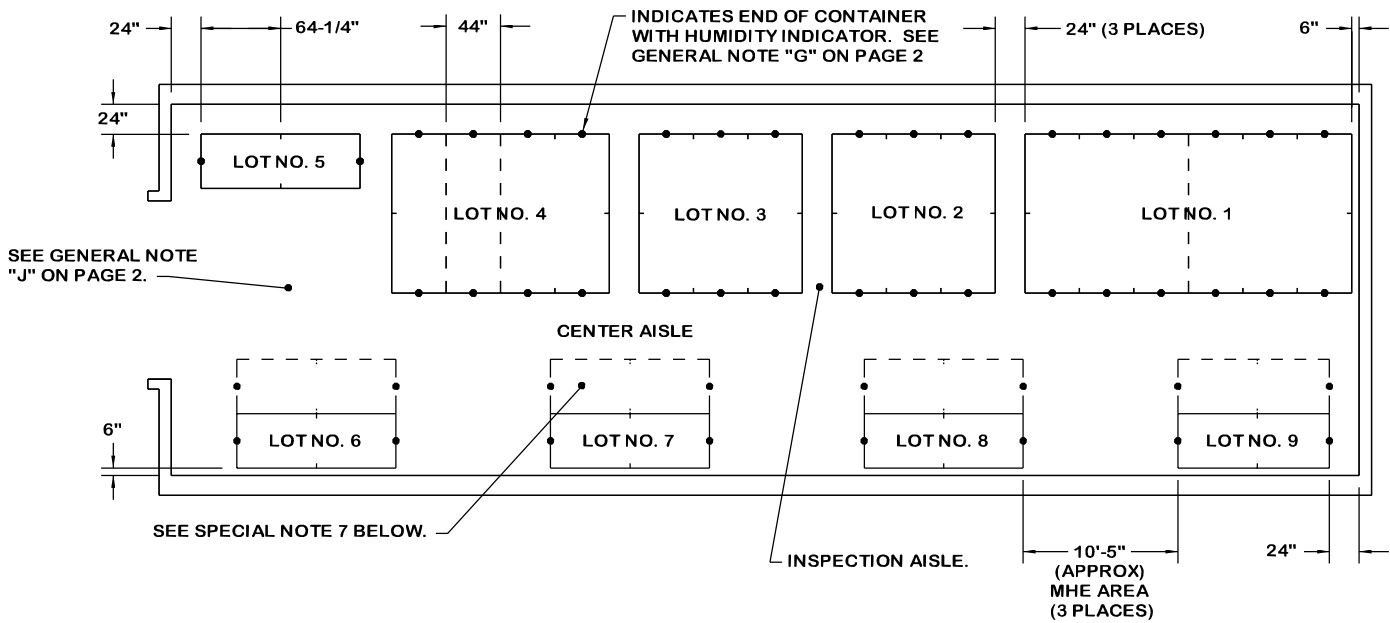
ISOMETRIC VIEW

(52'-0" DIA MAGAZINE)



ISOMETRIC VIEW

(52'-0" MAGAZINE)



PLAN VIEW

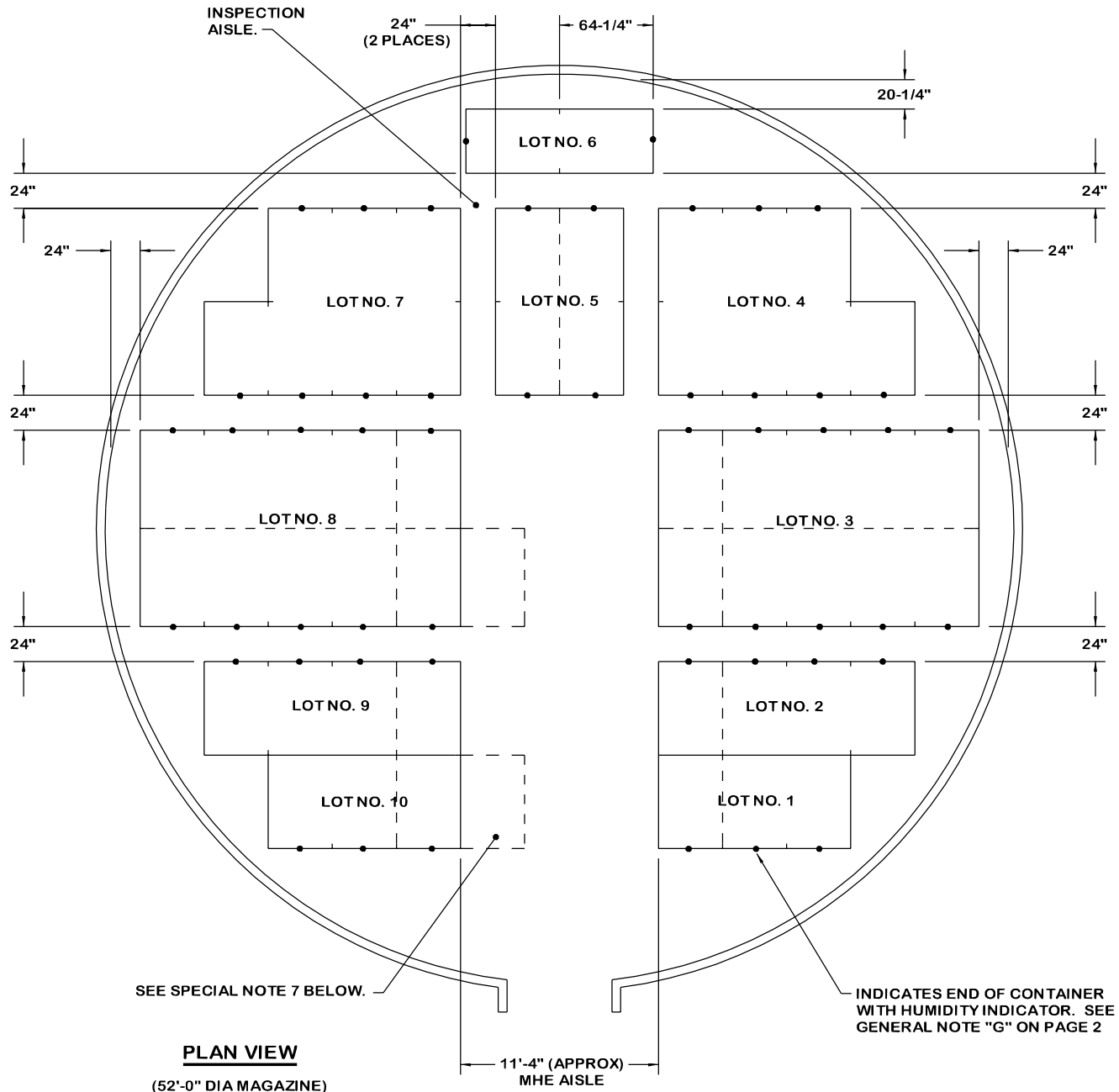
SPECIAL NOTES:

1. THE STORAGE PLAN SHOWN IS TYPICAL ONLY, AND APPLIES TO NUMEROUS LOTS. ADAPTATIONS MAY BE MADE AS NUMBER AND SIZES OF LOTS TO BE STORED IN MAGAZINE REQUIRE.
2. AN INSPECTION/INVENTORY AISLE NOT LESS THAN 24" WIDE MUST BE PROVIDED AT ONE SIDE OF EACH BURIED LOT.
3. GENERALLY, THE LARGEST LOT SHOULD BE STORED IN THE REAR OR ON ONE SIDE OF THE MAGAZINE. HOWEVER, THESE AREAS MAY BE USED TO STORE MORE THAN ONE LOT BY ERECTING STACKS SIMILAR TO THOSE SHOWN IN THE FRONTAL AREA, OR AS SHOWN BY DOTTED LINES. A MHE AISLE WILL BE REQUIRED ON ONE SIDE OF THE MAGAZINE, AND EACH LOT MUST BE ACCESSIBLE FOR REMOVAL AND INSPECTION/INVENTORY IN ACCORDANCE WITH OTHER CRITERIA SPECIFIED IN THESE SPECIAL NOTES AND THE GENERAL NOTES ON PAGE 2.
4. EACH LOT WITHIN THE MAGAZINE MUST BE ACCESSIBLE FOR MOVEMENT BY MHE. CONTAINERS OF A SINGLE-LOT ARE CONSIDERED "ACCESSIBLE" IF NOT MORE THAN 12 "LIFTS" OF ANOTHER LOT OR LOTS HAVE TO BE MADE TO GAIN ACCESS TO THE SINGLE-LOT CONTAINERS. A "LIFT" MAY CONSIST OF ONE OR MORE CONTAINERS, PROVIDING THE CAPACITY OF THE MHE PERMITS, AND SAFE HANDLING IS NOT JEOPARDIZED.
5. FOR STORAGE OF MULTIPLE LOTS, THE DISTANCE FROM THE SIDE WALL WILL BE BASED ON THE OVERHEAD CLEARANCE REQUIRED FOR MHE.

(CONTINUED AT RIGHT)

(SPECIAL NOTES CONTINUED)

6. WHEN TWO LOTS ARE STORED ADJACENT TO EACH OTHER, THEY SHOULD BE SEPARATED BY AT LEAST 1" TO PROVIDE CLEARANCE FOR REMOVAL OF EITHER LOT.
7. AREAS ENCLOSED BY DOTTED LINES INDICATE LOCATIONS WHERE ADDITIONAL LOTS MAY BE STORED OR WHERE ADDITIONAL ITEMS MAY BE STORED, THAT ARE FROM THE LOTS, WHICH ARE DIRECTLY, OR ALMOST DIRECTLY ACROSS THE CENTER AISLE ON THE OTHER SIDE OF THE MAGAZINE. COMPLIANCE WITH ALL OF THE MULTIPLE-LOT CRITERIA AS SET FORTH ON THIS PAGE MUST BE OBSERVED. THE SIZE OF THE LOTS BEING STORED AND THE CRITERIA OF SPECIAL NOTE NUMBER 4, RELATIVE TO THE 12 "LIFTS", WILL BE MAJOR FACTORS IMPACTING ON THE NUMBER OF CONTAINERS THAT CAN BE STORED IN AN "ADDITIONAL STORAGE LOCATION". MORE OR FEWER STACKS THAN SHOWN MAY BE STORED AT ANY ONE OF THE ADDITIONAL STORAGE LOCATIONS. A 10'-5" MHE OPERATING AREA HAS BEEN SPECIFIED FOR ACCESS TO EACH "ADDITIONAL LOCATION" BY FORKLIFT TRUCKS COMMONLY USED IN STORAGE MAGAZINES. THE MHE OPERATING AREA CAN BE ENLARGED AS REQUIRED TO SUIT AVAILABLE FORKLIFT TRUCKS, AND SHOULD BE MADE SMALLER IF AVAILABLE MHE PERMITS. A "CENTER AISLE" (SPACE BETWEEN STORAGE ON ONE SIDE OF A MAGAZINE AND AN "ADDITIONAL STORAGE LOCATION") IS TO BE AT LEAST 60" WIDE. AN AISLE SLIGHTLY WIDER THAN 60" WILL ENHANCE FORKLIFT TRUCK MOVEMENT WITHIN A MAGAZINE; HOWEVER, THIS AISLE SHOULD NOT BE MADE WIDER IF A LOSS OF STORAGE RESULTS.



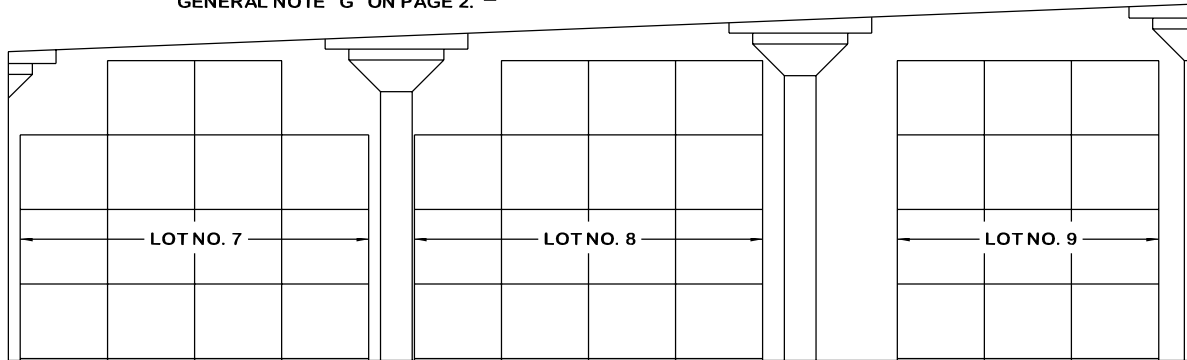
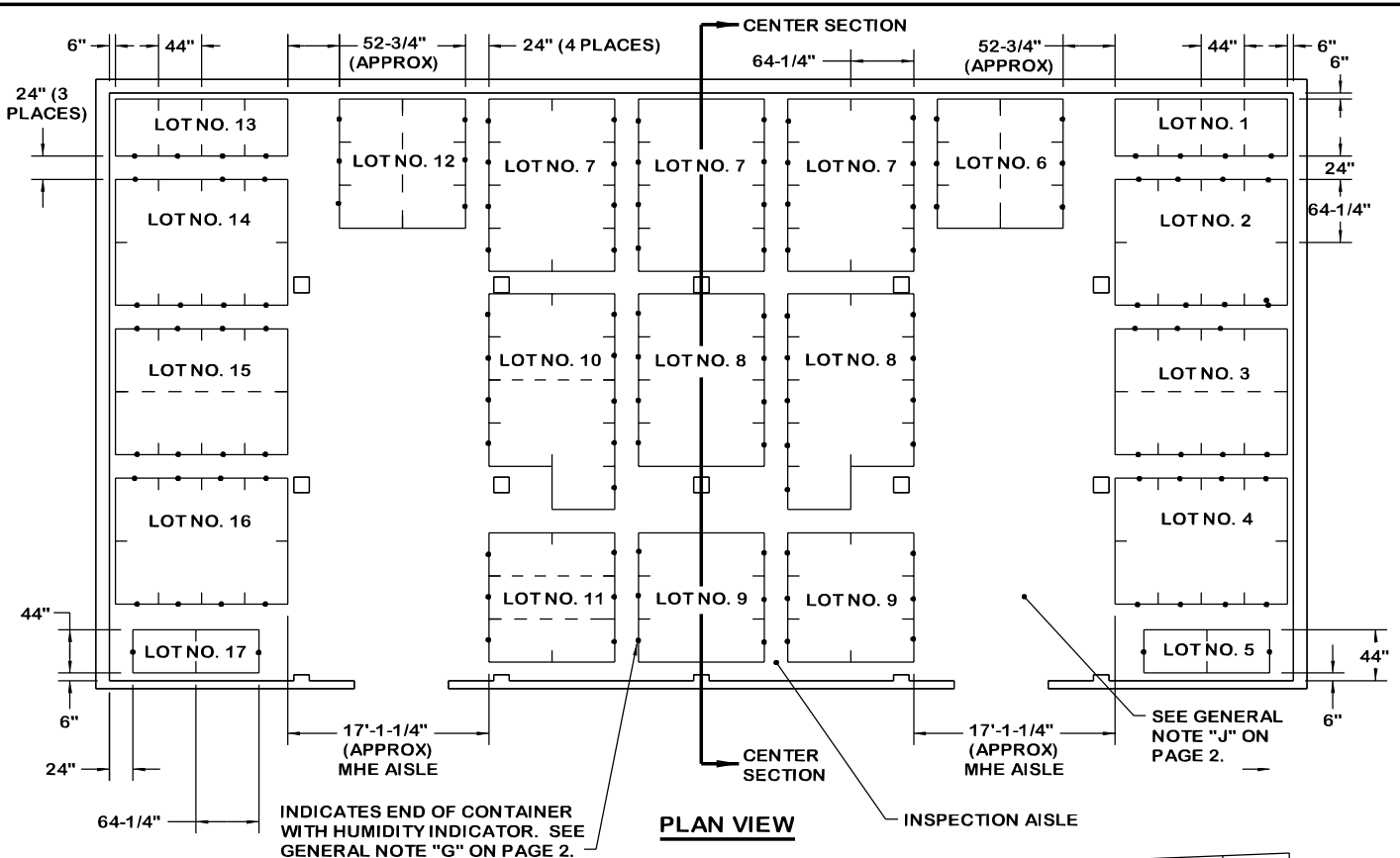
SPECIAL NOTES:

1. THE STORAGE PLAN SHOWN IS TYPICAL ONLY. ADAPTATIONS MAY BE MADE AS NUMBER AND SIZES OF LOTS TO BE STORED IN MAGAZINE REQUIRE.
2. AN INSPECTION/INVENTORY AISLE NOT LESS THAN 24" WIDE MUST BE PROVIDED AT ONE SIDE OF EACH BURIED LOT.
3. GENERALLY, THE LARGEST LOT SHOULD BE STORED ON ONE SIDE OF THE MAGAZINE. HOWEVER, BOTH SIDES MAY BE USED TO STORE MORE THAN ONE LOT BY ERECTING ROWS SIMILAR TO THOSE SHOWN IN THE SMALLER SIZE LOTS, OR AS SHOWN BY DOTTED LINES. EACH ADDITIONAL LOT MUST BE ACCESSIBLE FOR REMOVAL AND INSPECTION/INVENTORY IN ACCORDANCE WITH OTHER CRITERIA SPECIFIED IN THESE SPECIAL NOTES AND THE GENERAL NOTES ON PAGE 2.
4. WHEN TWO LOTS ARE STORED ADJACENT TO EACH OTHER, THEY SHOULD BE SEPARATED BY AT LEAST 1" TO PROVIDE CLEARANCE OF EITHER LOT.

(CONTINUED AT RIGHT)

(SPECIAL NOTES CONTINUED)

5. EACH LOT WITHIN THE MAGAZINE MUST BE ACCESSIBLE FOR MOVEMENT BY MHE. CONTAINERS OF A SINGLE-LOT ARE CONSIDERED "ACCESSIBLE" IF NOT MORE THAN 12 "LIFTS" OF ANOTHER LOT OR LOTS HAVE TO BE MADE TO GAIN ACCESS TO THE SINGLE-LOT CONTAINERS. A "LIFT" MAY CONSIST OF ONE OR MORE CONTAINERS, PROVIDING THE CAPACITY OF THE MHE PERMITS, AND SAFE HANDLING IS NOT JEOPARDIZED.
6. FOR STORAGE OF MULTIPLE LOTS, THE DISTANCE FROM THE SIDE WALL WILL BE BASED ON THE OVERHEAD CLEARANCE REQUIRED BY THE MHE.
7. THE MHE AISLE MAY BE USED TO STORE ONE OR MORE STACKS OF ADDITIONAL LOTS OR ADDITIONAL ITEMS THAT ARE FROM A LOT ADJACENT TO THE MHE AISLE. ADEQUATE SPACE FROM MHE OPERATION MUST BE MADE AVAILABLE FOR THE ADDITIONAL STORAGE. ALSO, COMPLIANCE WITH ALL OF THE MULTIPLE-LOT CRITERIA AS SET FORTH ON THIS PAGE MUST BE OBSERVED.



SPECIAL NOTES:

1. THE STORAGE PLAN SHOWN IS TYPICAL ONLY. ADAPTATIONS MAY BE MADE AS NUMBER AND SIZES OF LOTS TO BE STORED IN MAGAZINE REQUIRE.
2. AN INSPECTION/INVENTORY AISLE NOT LESS THAN 24" WIDE MUST BE PROVIDED AT THE END OF ALL CONTAINERS WHERE HUMIDITY INDICATOR IS LOCATED.
3. GENERALLY, THE LARGEST LOT SHOULD BE STORED IN THE REAR OR ON ONE SIDE OF THE MAGAZINE. HOWEVER, THESE AREAS MAY BE USED TO STORE MORE THAN ONE LOT BY ERECTING ROWS SIMILAR TO THOSE SHOWN IN THE SMALLER SIZE LOTS, OR AS TYPICALLY SHOWN BY DOTTED LINES. EACH ADDITIONAL LOT MUST BE ACCESSIBLE FOR REMOVAL AND INSPECTION/INVENTORY IN ACCORDANCE WITH OTHER CRITERIA SPECIFIED IN THESE SPECIAL NOTES AND THE GENERAL NOTES ON PAGE 2.
4. EACH LOT WITHIN THE MAGAZINE MUST BE ACCESSIBLE FOR MOVEMENT BY MHE. CONTAINERS OF A SINGLE-LOT ARE CONSIDERED "ACCESSIBLE" IF NOT MORE THAN 24 "LIFTS" OF ANOTHER LOT OR LOTS HAVE TO BE MADE TO GAIN ACCESS TO THE SINGLE-LOT CONTAINERS. A "LIFT" MAY CONSIST OF ONE OR MORE CONTAINERS, PROVIDING THE CAPACITY OF THE MHE PERMITS, AND SAFE HANDLING IS NOT JEOPARDIZED.

(CONTINUED AT RIGHT)

(SPECIAL NOTES CONTINUED)

5. WHEN TWO LOTS ARE STORED ADJACENT TO EACH OTHER, THEY SHOULD BE SEPARATED BY AT LEAST 1" TO PROVIDE CLEARANCE FOR REMOVAL OF EITHER LOT.
6. THE MHE AISLE MAY BE USED TO STORE ONE OR MORE STACKS OF ADDITIONAL ITEMS THAT ARE FROM A LOT ADJACENT TO THE MHE AISLE. THIS ADDITIONAL STORAGE IS TO BE ARRANGED IN A MANNER SIMILAR TO ARRANGEMENTS DEPICTED ON PAGES 12 AND 13 FOR THE "ADDITIONAL STORAGE LOCATIONS" (SHOWN BY DOTTED LINES). ADEQUATE SPACE FOR MHE OPERATION, AS DEPICTED ON PAGES 12 AND 13, MUST BE MADE AVAILABLE FOR THE ADDITIONAL STORAGE. ALSO, COMPLIANCE WITH ALL OF THE MULTIPLE LOT CRITERIA AS SET FORTH ON THIS PAGE MUST BE OBSERVED.