

STORAGE IN APPROVED MAGAZINES OF HARPOON GUIDED MISSILE, AGM-84A (WITH OR WITHOUT WINGS AND FINS), PACKED 2 PER MK607 MOD 0 SHIPPING AND STORAGE CONTAINER

INDEX

<u>ITEM</u>	<u>PAGE(S)</u>
GENERAL NOTES, AND MATERIAL SPECIFICATIONS - - - - -	2
DETAILS - - - - -	3
STORAGE PROCEDURES (EARTH COVERED MAGAZINES):	
81'-0", 60'-8" AND 40'-4" L X 26'-6" W X 12'-9" H IGLOO MAGAZINES - -	4,5
81'-2" L X 26'-6" W X 12'-1-3/4" H ARCH TYPE MAGAZINE - - - - -	6,7
80'-0" AND 40'-0" L X 25'-0" W X 12'-1-3/4" H ARCH TYPE MAGAZINES - -	8,9
80'-0" AND 40'-0" L X 25'-0" W X 11'-0" H ARCH TYPE MAGAZINES - - -	10,11
80'-0" AND 40'-0" L X 25'-0" W X 10'-0" H ARCH TYPE MAGAZINES - - -	12,13
80'-0" L X 25'-0" W X 14'-0" H STRADLEY MAGAZINE- - - - -	14,15
89'-0" L X 24'-11" W X 13'-6" H STEEL ARCH MAGAZINE - - - - -	16,17
52'-0" DIA CORBETTA MAGAZINE- - - - -	18,19
100'-8" L X 50'-0" W RECTANGULAR MAGAZINE - - - - -	20,21

U. S. ARMY MATERIEL COMMAND DRAWING

APPROVED, U. S. ARMY INDUSTRIAL OPERATIONS COMMAND

DLH
David A. Perkoil

AMSTA-AR-ESK

APPROVED BY ORDER OF COMMANDING GENERAL, U. S.
ARMY MATERIEL COMMAND

William F Ernst

DEFENSE AMMUNITION CENTER

DRAFTSMAN

INGEBORG DEPPE

ENGINEER

M. DAEUMER

SUPPLY ENGINEERING
DIVISION

Thomas J. ...

LOGISTICS ENGINEERING
OFFICE

William F Ernst

JUNE 1997

CLASS

DIVISION

DRAWING

FILE

19

48

8634

SP 1-3-4-14
-22 J 36

DO NOT SCALE

GENERAL NOTES

(GENERAL NOTES CONTINUED)

- A. THIS DOCUMENT HAS BEEN PREPARED AND ISSUED IN ACCORDANCE WITH AR 740-1 AND AUGMENTS TM 743-200-1 (CHAPTER 5).
- B. THE STORAGE PROCEDURES SPECIFIED HEREIN ARE APPLICABLE TO THE HARPOON GUIDED MISSILE AGM-84A (WITH OR WITHOUT WINGS AND FINS), PACKED 2 PER MK 607 MOD O CONTAINER. SUBSEQUENT REFERENCE TO CONTAINER MEANS THE MK 607 CONTAINER WITH CONTENTS. FOR DETAILS OF THE CONTAINER SEE NAVAL WEAPONS HANDLING CENTER DATA RELEASE SHEET NO. 0506 AND THE PICTORIAL VIEW IN PAGE 3.

CONTAINER DIMENSION - - - - - 168" L X 38" W X 32.62" H
STACKING HEIGHT - - - - - 28.5"
GROSS WEIGHT - - - - - 3,175 POUNDS (APPROX)
CUBE - - - - - 120.5 CUBIC FEET (APPROX)

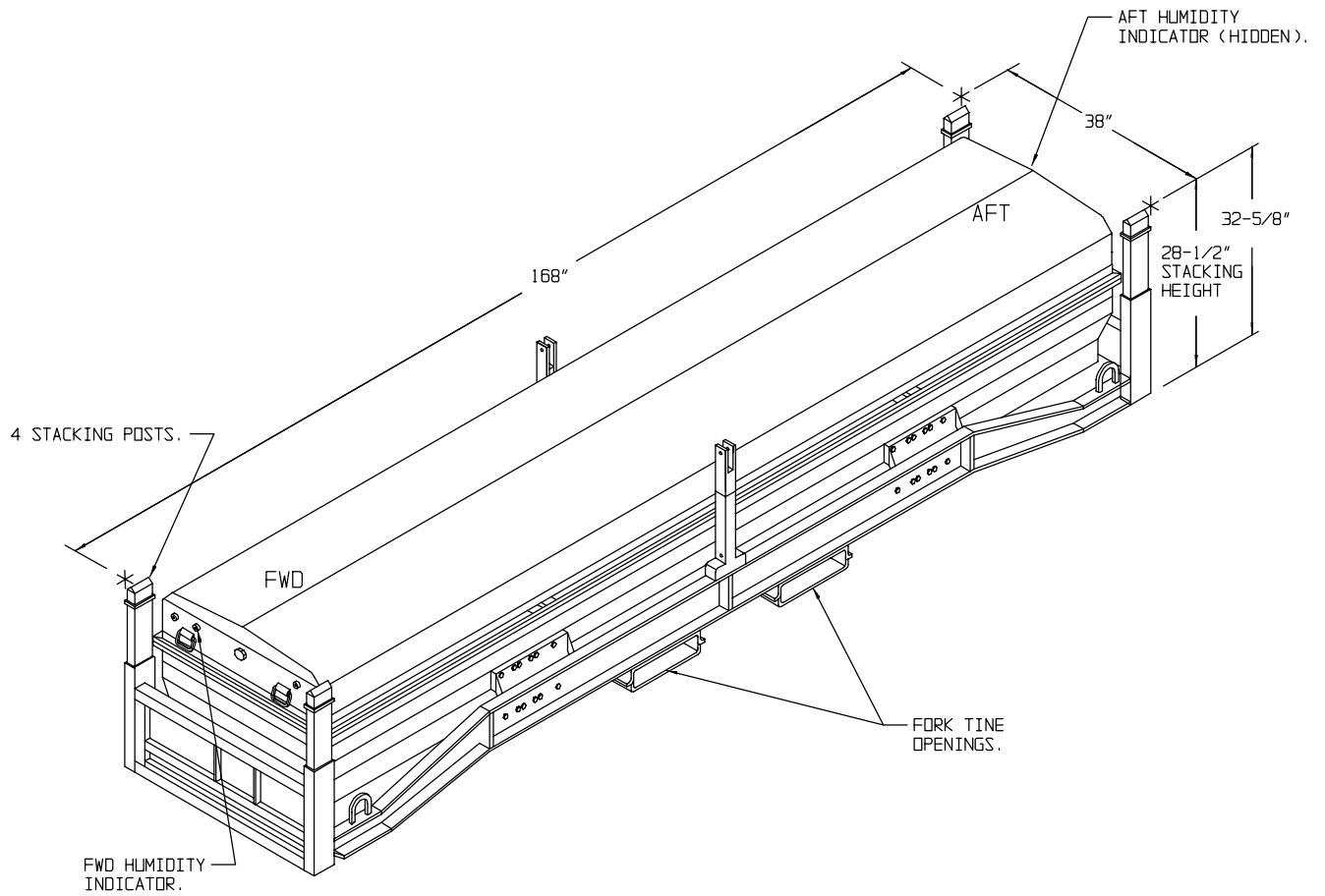
CAUTION: THIS ITEM IS IN A "PROPULSIVE STATE" AND MUST BE STORED WITH THE FORWARD END FACING TOWARD A SIDEWALL OR THE REAR WALL AS INDICATED BY THE DIRECTIONAL ARROWS IN THE STORAGE VIEWS. ADDITIONALLY, CONTAINERS MUST NOT BE STACKED MORE THAN THREE (3) CONTAINERS HIGH.
- C. THE STORAGE PROCEDURES DEPICTED WITHIN THIS DOCUMENT ARE APPLICABLE FOR STORAGE IN VARIOUS TYPES AND SIZES OF MAGAZINES. THE STORAGE PROCEDURES DEPICTED FOR THE SPECIFIC TYPES OF MAGAZINES MAY ALSO BE UTILIZED TO STORE CONTAINERS IN OTHER TYPES OF APPROVED MAGAZINES. MINOR ADJUSTMENTS MAY BE MADE TO FACILITATE STORAGE IN OTHER TYPES OF MAGAZINES, HOWEVER, THE BASIC PRINCIPLES AS DEPICTED HEREIN WILL BE FOLLOWED.
- D. CAUTION: THE ALLOWABLE "EXPLOSIVE LIMIT" ESTABLISHED FOR A MAGAZINE IS NOT TO BE EXCEEDED. THIS LIMITATION MAY REQUIRE A QUANTITY REDUCTION FROM THE STORAGE AS SHOWN.
- E. STORED CONTAINERS MUST NOT CONTACT THE WALLS OF A MAGAZINE. THEREFORE, CONTAINERS WILL BE STORED A MINIMUM OF SIX INCHES (6") FROM THE SIDEWALL OR CURVATURE OF THE MAGAZINE AS APPLICABLE. TO PROVIDE FOR THIS MANDATORY CLEARANCE REQUIREMENT, CONTAINERS MAY BE ELIMINATED FROM THE DEPICTED STORAGE PATTERN AS NECESSARY.
- F. AISLE DIMENSIONS SHOWN FOR STORAGE PROCEDURES IN MAGAZINES MAY BE ADJUSTED TO SUIT LOCAL CONDITIONS, AND/OR AVAILABLE MATERIALS HANDLING EQUIPMENT (MHE). HOWEVER, A 24" MINIMUM AISLE MUST BE MAINTAINED AT BOTH ENDS OF EACH CONTAINER FOR INSPECTION OF HUMIDITY INDICATORS LOCATED ON BOTH THE FORWARD AND AFT ENDS OF THE CONTAINERS.
- G. THE MAXIMUM FLOOR LOAD FOR A MAGAZINE AS PRESCRIBED BY LOCAL STANDARDS WILL NOT BE EXCEEDED.
- H. IF AVAILABLE MHE PERMITS, ADDITIONAL CONTAINERS MAY BE STORED WITHIN THE MHE AREA AND/OR OTHER AVAILABLE AREA OF THE MAGAZINE.
- J. THE HEIGHT OF THE PACKAGE GUARD ON SOME FORKLIFT TRUCKS MAY NOT PERMIT PLACEMENT OF SOME TOP LAYER UNITS IN THE STACKS SHOWN IN THE STORAGE VIEWS HEREIN, UNLESS TWO UPPER CONTAINERS ARE HANDLED AS ONE LIFT OR THE PACKAGE GUARD IS REMOVED (TINE CARRIAGE WILL IN MOST INSTANCES PROVIDE ADEQUATE PACKAGE GUARD PROTECTION). ONLY A FORKLIFT TRUCK OF ADEQUATE CAPACITY WILL BE USED WHEN LIFTING TWO CONTAINERS AS ONE LIFT.
- K. IF THE QUANTITY OF CONTAINERS FOR A MAGAZINE IS TO BE REDUCED FROM WHAT IS SHOWN HEREIN DUE TO THE PERMITTED "EXPLOSIVE LIMIT" OR FOR ANY OTHER REASON, SUCH AS A LIMITED QUANTITY TO BE STORED, THE DELINEATED PROCEDURES ARE TO BE ADJUSTED BY OMITTING STACKS RATHER THAN BY OMITTING LAYERS.
- L. PORTIONS OF THE MAGAZINES, SUCH AS SIDEWALLS, END WALLS, AND ROOFS, HAVE NOT BEEN SHOWN IN THE STORAGE VIEWS FOR CLARITY PURPOSES.

- M. THE USE OF NOMINAL SIZE 1" X 6" X 37" OR 2" X 6" X 37" FLOOR DUNNAGE UNDER EACH END OF EACH FIRST-LAYER CONTAINER IS OPTIONAL, ALTHOUGH THE USE OF THIS TYPE OF DUNNAGE IS DELINEATED WITHIN THIS STORAGE PROCEDURE DRAWING. THE PURPOSE OF FLOOR DUNNAGE IS TO HELP KEEP THE RUNNERS OF A CONTAINER DRY, THUS AIDING IN PREVENTING DETERIORATION DUE TO CORROSION. THEREFORE, FLOOR DUNNAGE SHOULD BE USED WHEN STORING IN A MAGAZINE THAT IS KNOWN TO HAVE A "DAMP" FLOOR. IN IGLOO, ARCH TYPE AND STRADLEY MAGAZINES WHICH HAVE FLOORS SLOPING TOWARD THE SIDEWALLS, THE DEPICTED STORAGE PATTERNS INCLUDE CONTAINER-STACKS WHICH STRADDLE THE RIDGE OF THE FLOOR AT THE CENTER OF THE MAGAZINE. IT WILL BE NECESSARY THEREFORE, TO USE 2" THICK MATERIAL FOR FLOOR DUNNAGE UNDER THESE STACKS TO PREVENT THE BOTTOM OF THE FORKLIFT TINE POCKETS FROM CONTACTING THE CONCRETE FLOOR. STACK STABILIZING DUNNAGE IN THE FORM OF SHIMS WILL BE USED IF REQUIRED TO ACHIEVE SOUND AND ACCEPTABLE STABLE STACKS FORM THE FLOOR TO THE TOP OF THE STACK. SHIM MATERIAL OF VARYING THICKNESSES OR THICKER FLOOR DUNNAGE WILL BE USED AS REQUIRED UNDER THE LOAD BEARING LOCATIONS AT THE ENDS OF THE FIRST-LAYER CONTAINERS. SEE THE "FLOOR DUNNAGE AND SHIM LOCATION DETAIL" ON PAGE 3 FOR A TYPICAL INSTALLATION.
- N. OTHER COMPATIBLE ITEMS MAY BE STORED IN A MAGAZINE WHICH IS PARTIALLY FILLED WITH THE DESIGNATED ITEM.

(CONTINUED AT RIGHT)

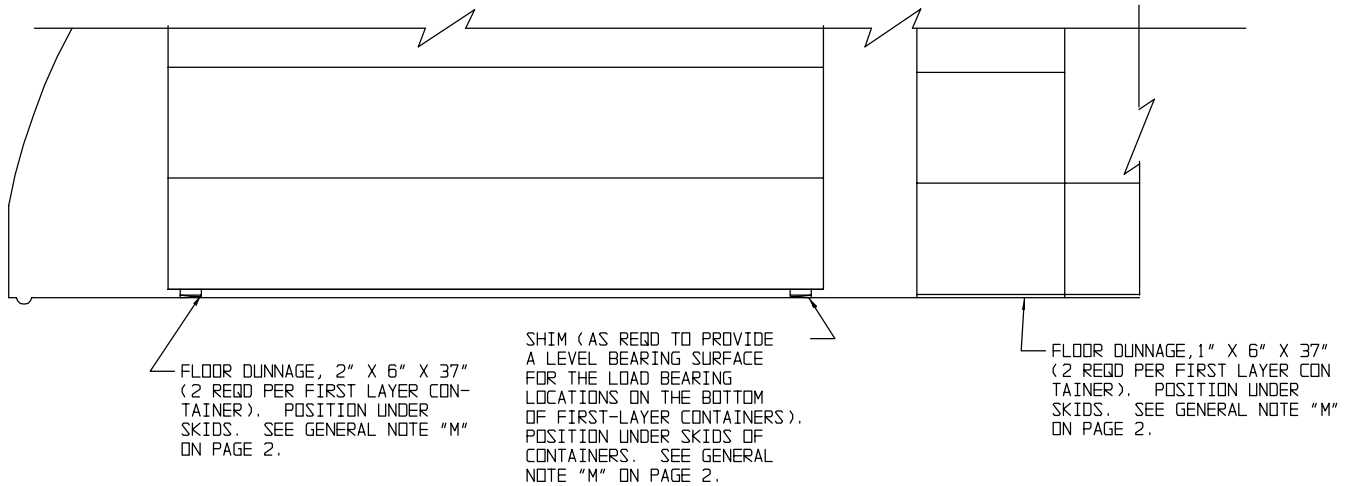
MATERIAL SPECIFICATION

LUMBER - - - - - : SEE TM 743-200-1 (DUNNAGE LUMBER) AND FED SPEC MM-L-751.



MK 607 MOD 0 CONTAINER

GROSS WEIGHT - - - - 3,175 LBS (APPROX)
 CUBE - - - - - 120.5 CUBIC FEET



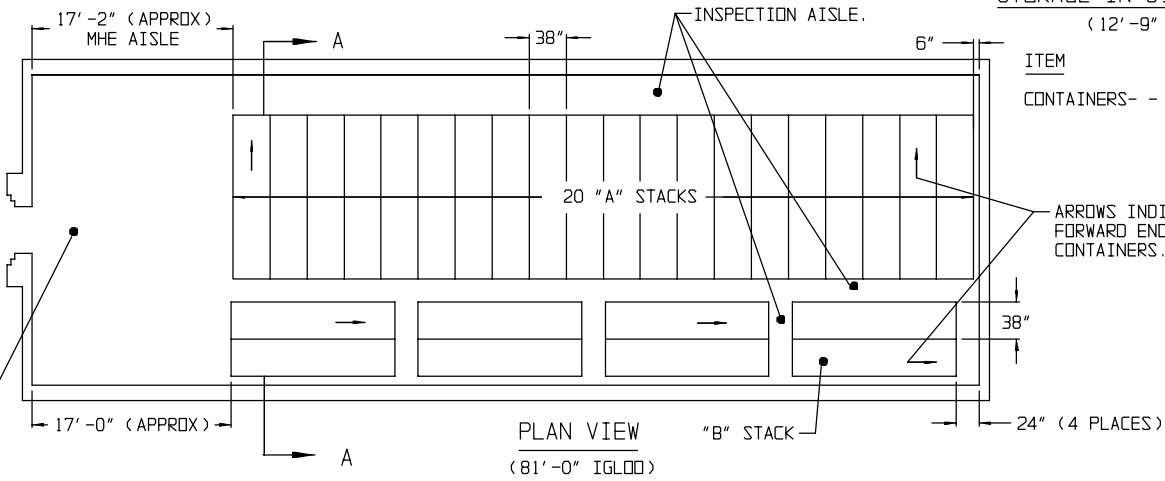
TYPICAL FLOOR DUNNAGE AND SHIM LOCATION DETAIL

DETAILS

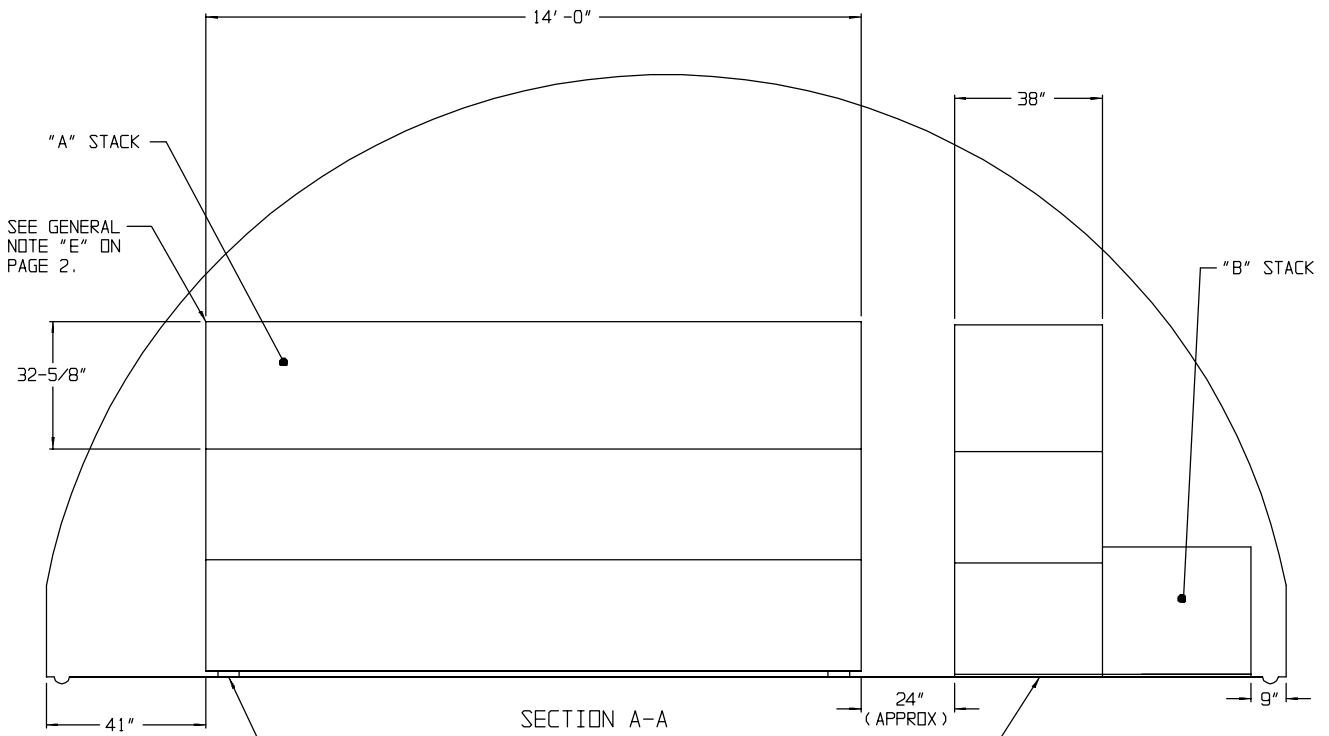
STORAGE IN 81'-0" IGLOO
(12'-9" HIGH)

ITEM	QUANTITY
CONTAINERS-	76

ARROWS INDICATE FORWARD END OF CONTAINERS.



SEE GENERAL NOTES "E" AND "H" ON PAGE 2.



FLOOR DUNNAGE, 1" X 6" X 37". (2 REQD PER FIRST LAYER CONTAINER). POSITION UNDER SKIDS. SEE GENERAL NOTE "M" ON PAGE 2.

FLOOR DUNNAGE, 2" X 6" X 37" (2 REQD PER FIRST LAYER CONTAINER). POSITION UNDER SKIDS, SEE "TYPICAL FLOOR DUNNAGE AND SHIM LOCATION DETAIL" ON PAGE 3 AND GENERAL NOTE "M" ON PAGE 2.

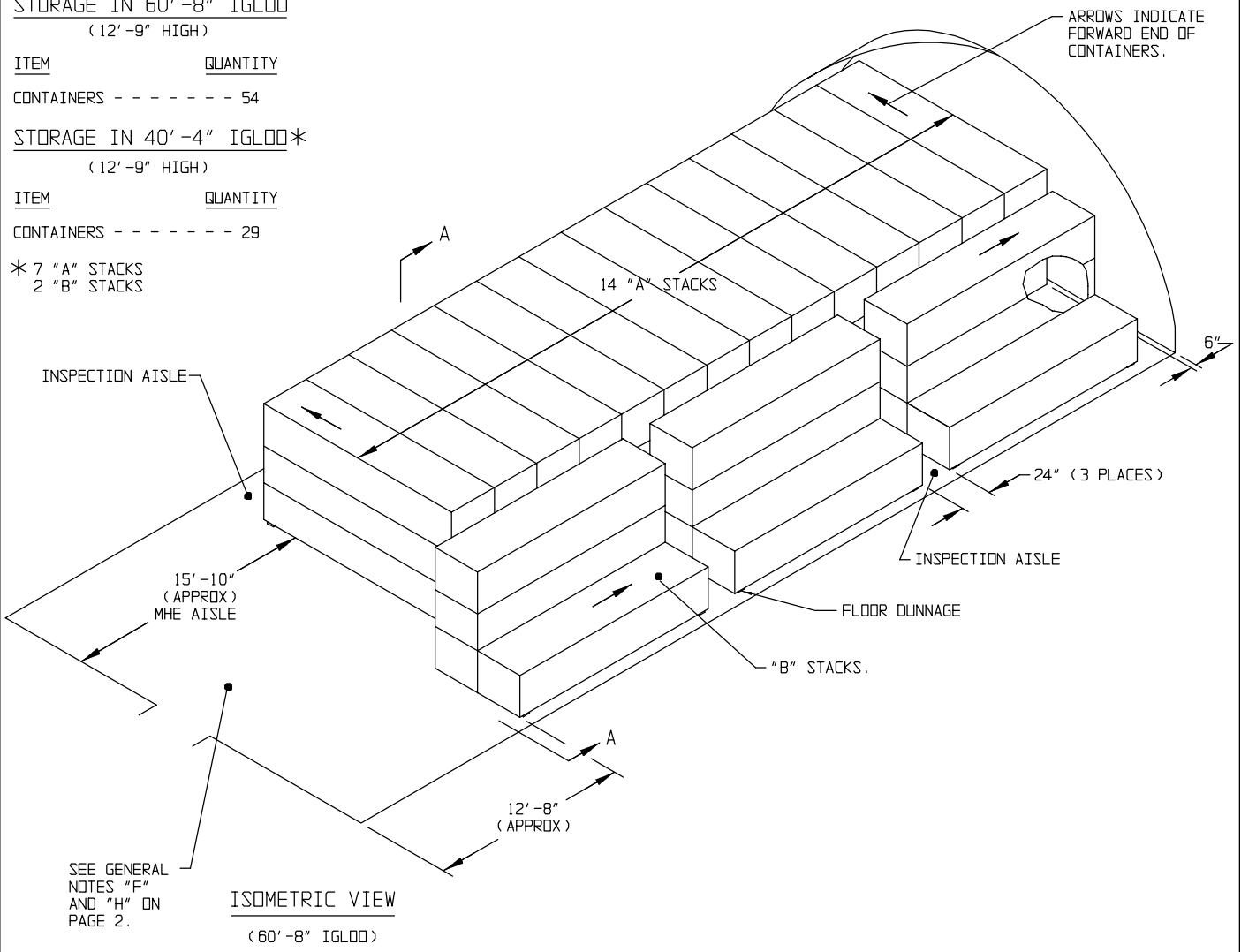
STORAGE IN 60'-8" IGL00
(12'-9" HIGH)

<u>ITEM</u>	<u>QUANTITY</u>
CONTAINERS - - - - -	54

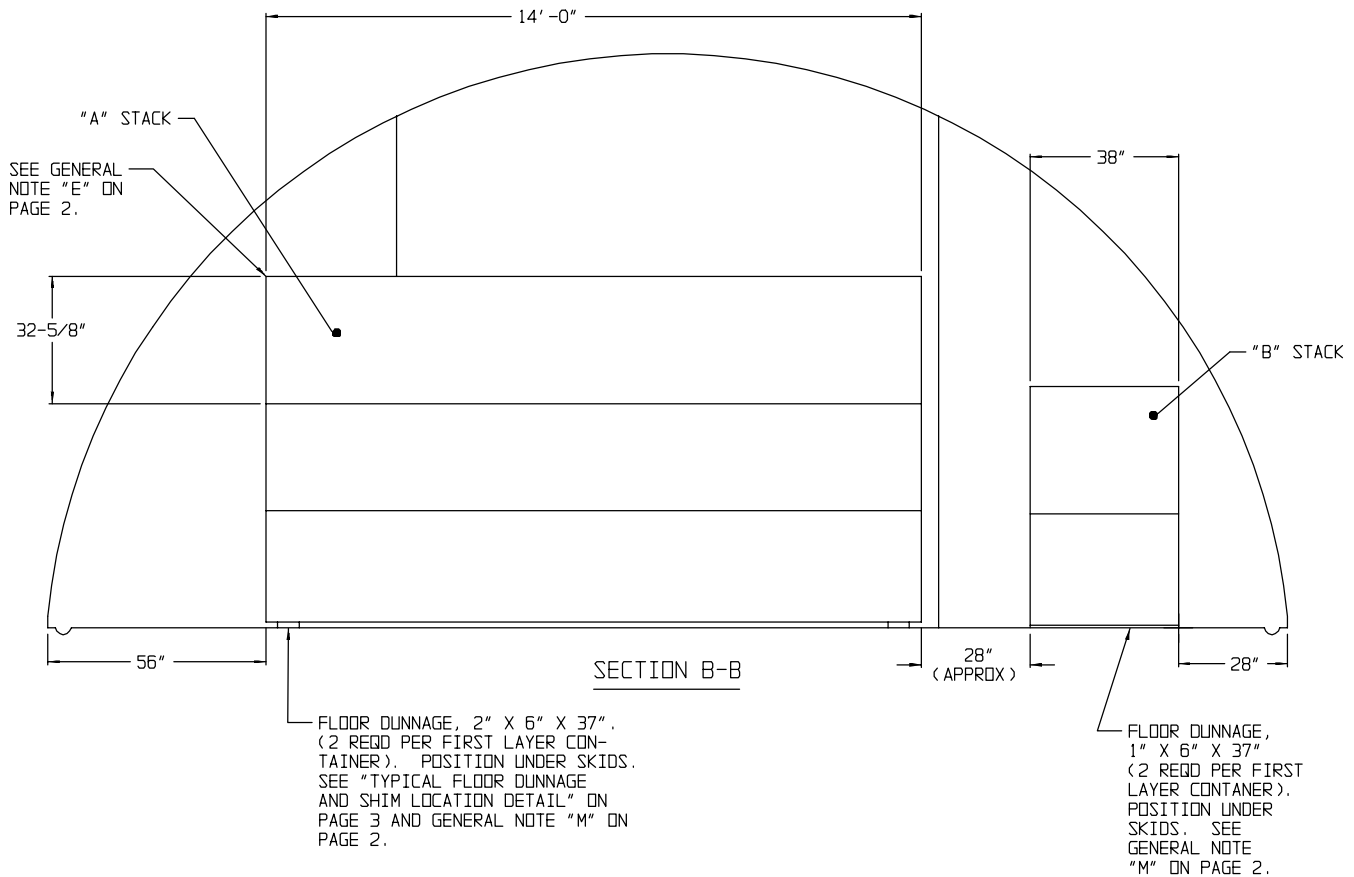
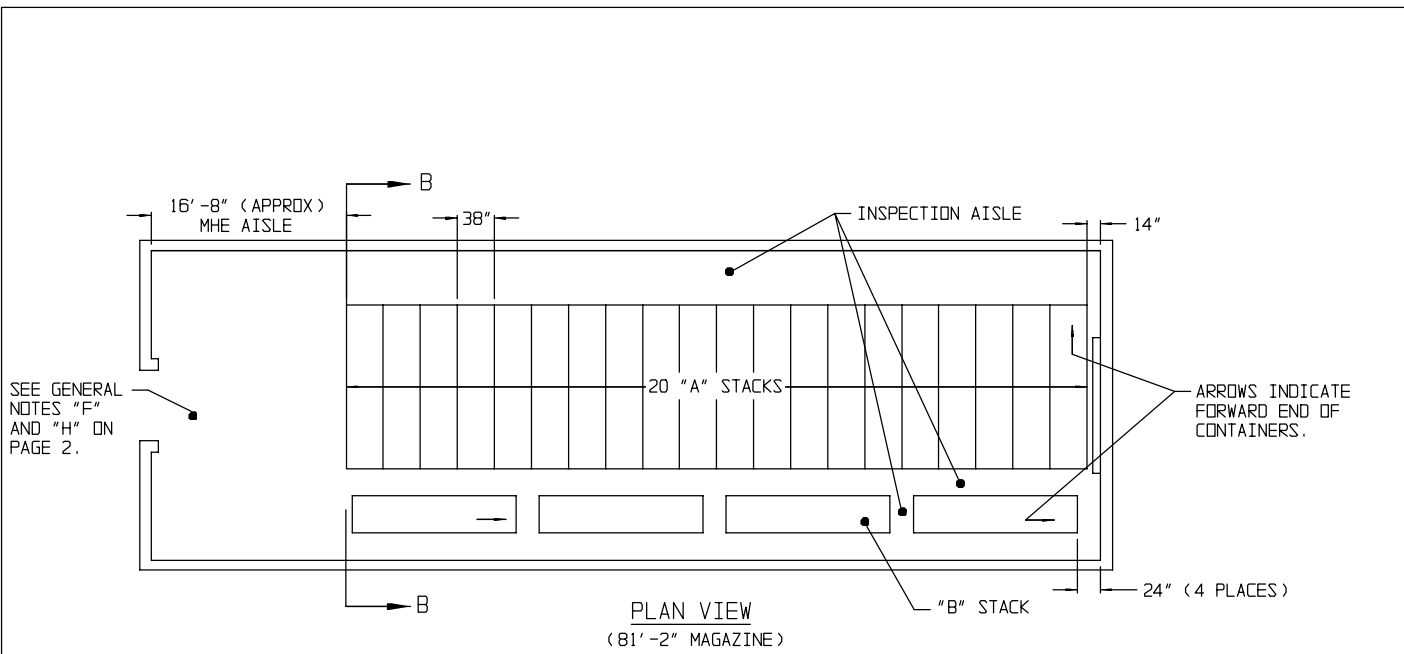
STORAGE IN 40'-4" IGL00*
(12'-9" HIGH)

<u>ITEM</u>	<u>QUANTITY</u>
CONTAINERS - - - - -	29

- * 7 "A" STACKS
- 2 "B" STACKS



FOR "GENERAL NOTES" AND "MATERIAL SPECIFICATIONS", SEE PAGE 2.



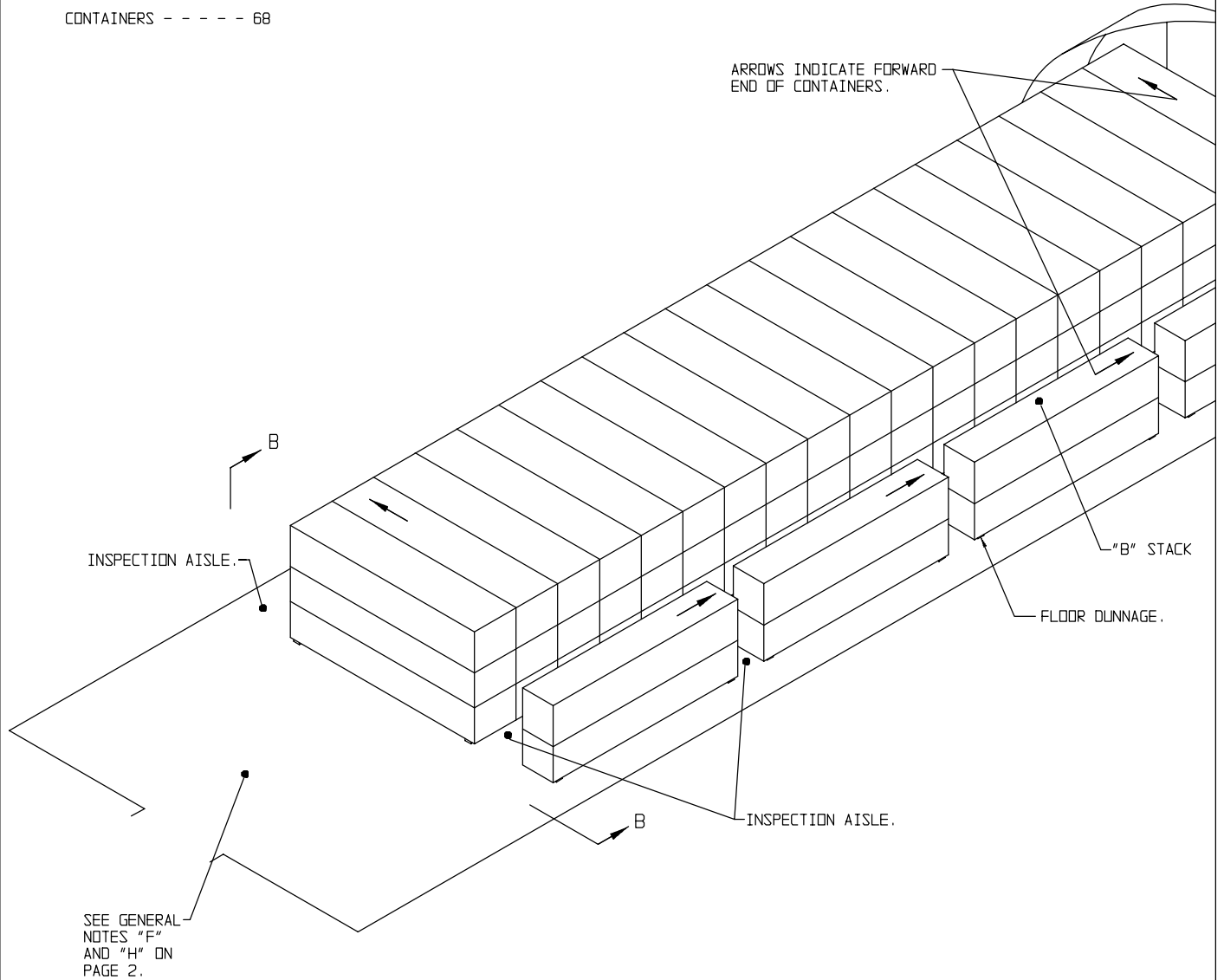
STORAGE IN 81'-2" MAGAZINE

(12'-1-3/4" HIGH)

ITEM QUANTITY

CONTAINERS - - - - - 68

ARROWS INDICATE FORWARD
END OF CONTAINERS.



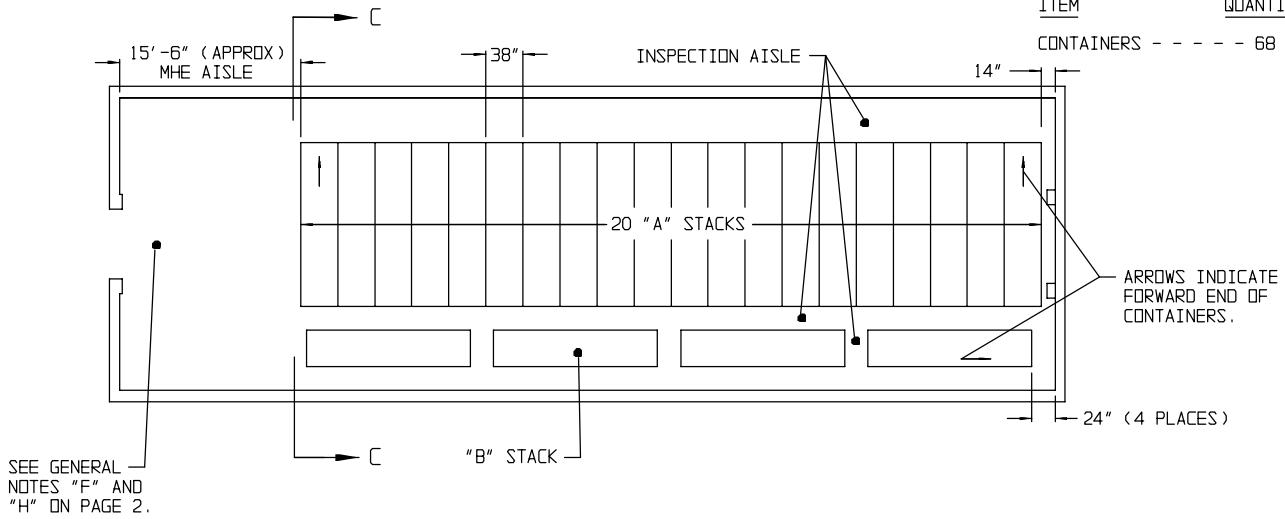
ISOMETRIC VIEW

(81'-2" MAGAZINE)

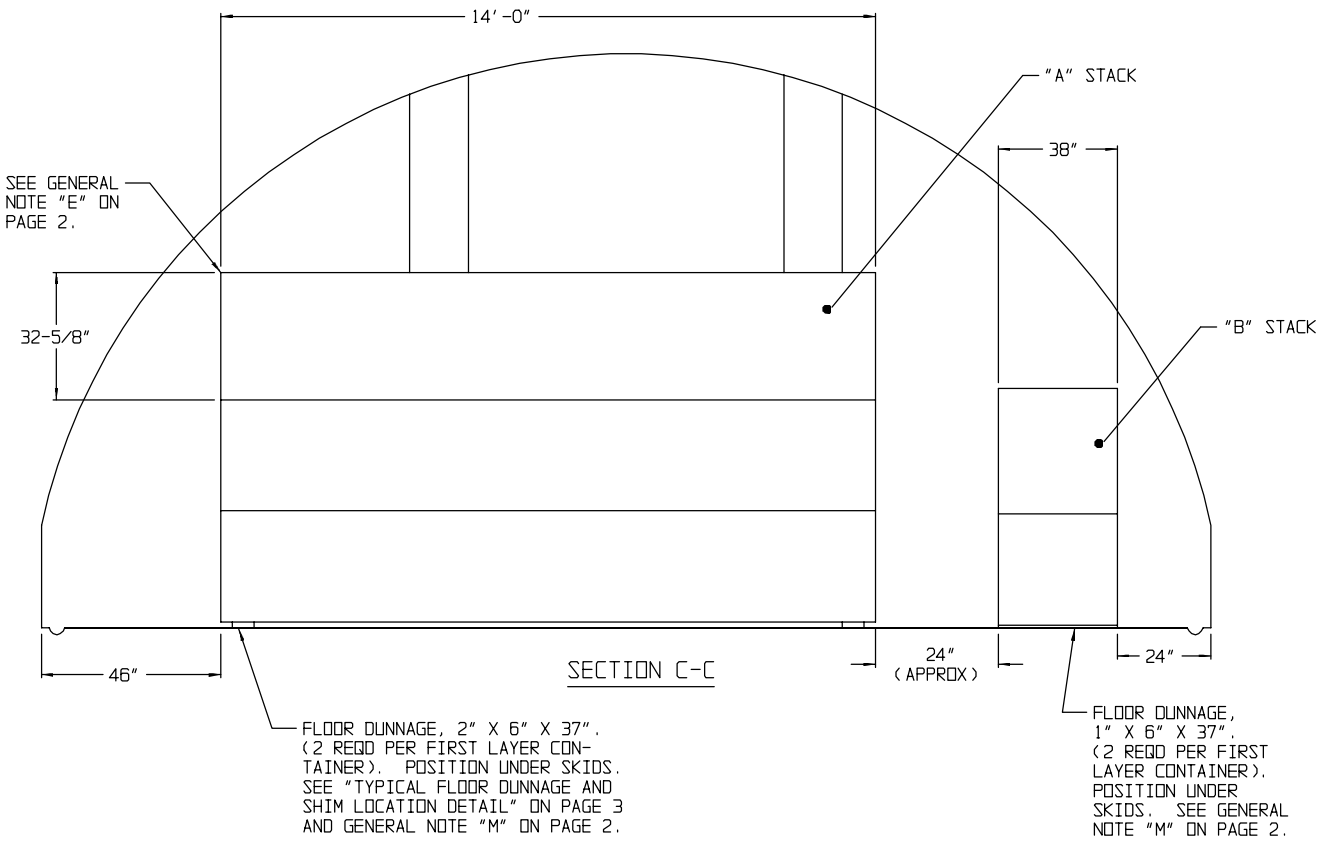
FOR "GENERAL NOTES" AND "MATERIAL
SPECIFICATIONS", SEE PAGE 2.

STORAGE IN 80'-0" MAGAZINE
(12'-1-3/4" HIGH)

ITEM	QUANTITY
CONTAINERS - - - - -	68



PLAN VIEW
(80'-0" MAGAZINE)

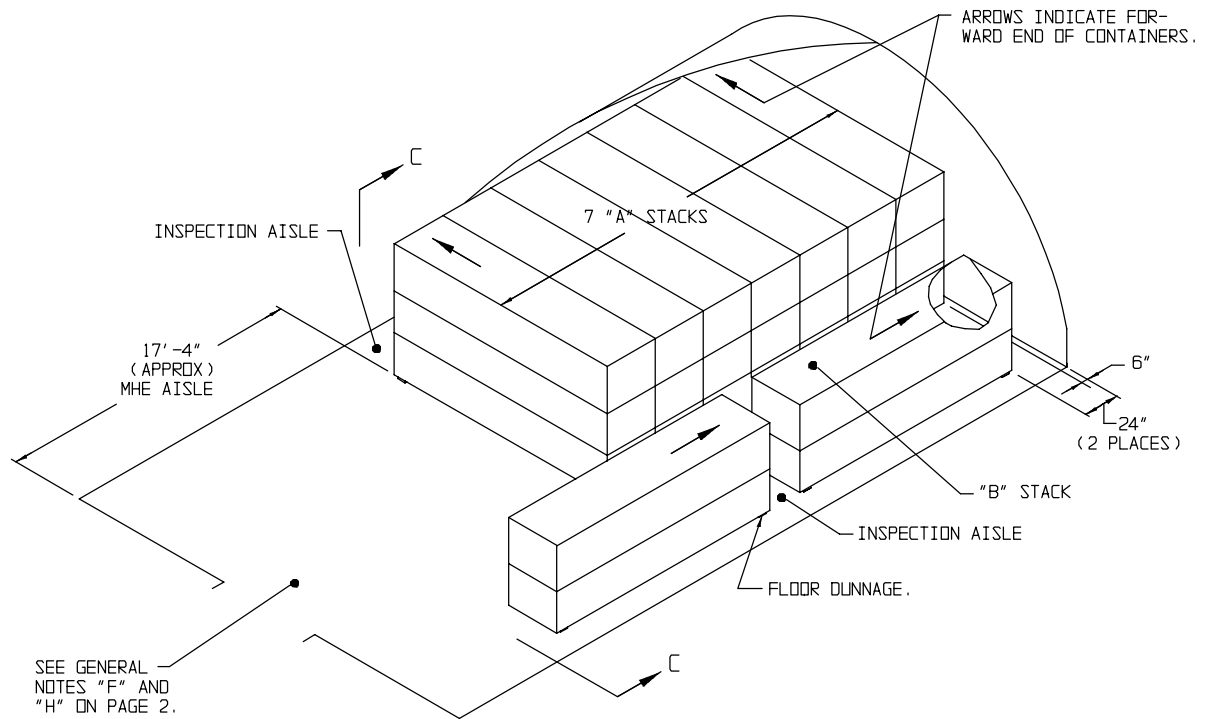


STORAGE IN 40'-0" MAGAZINE

(12'-1-3/4" HIGH)

ITEM QUANTITY

CONTAINERS - - - - - 25

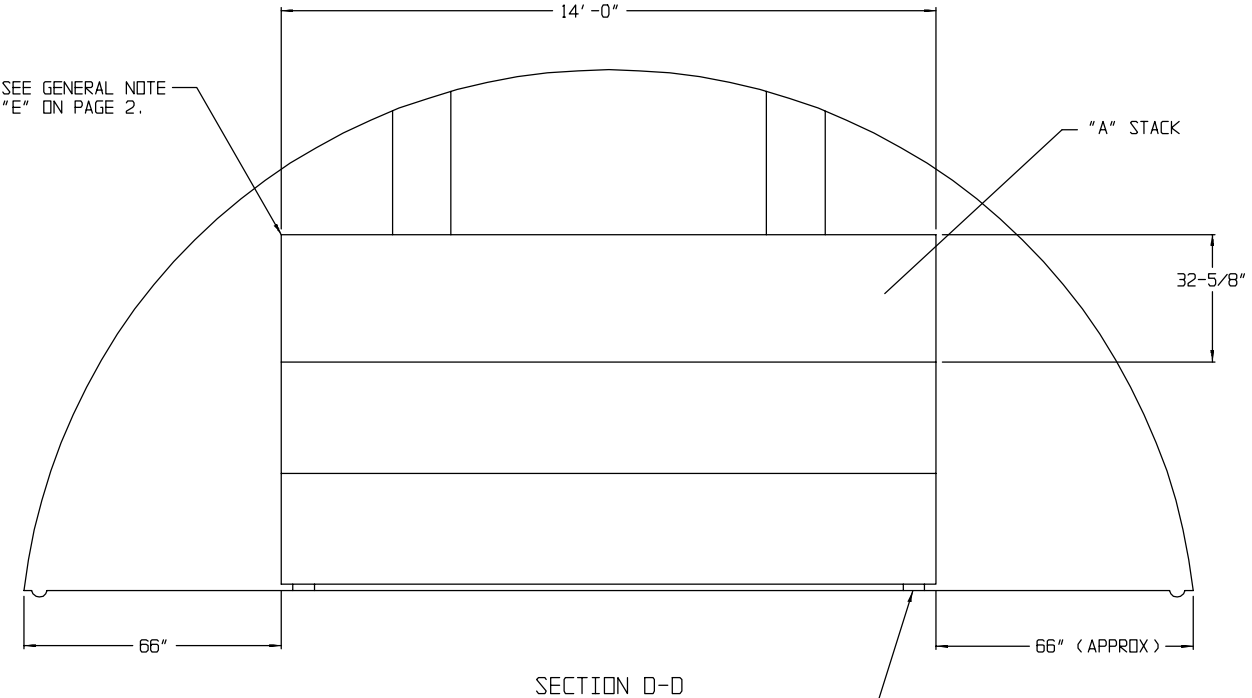
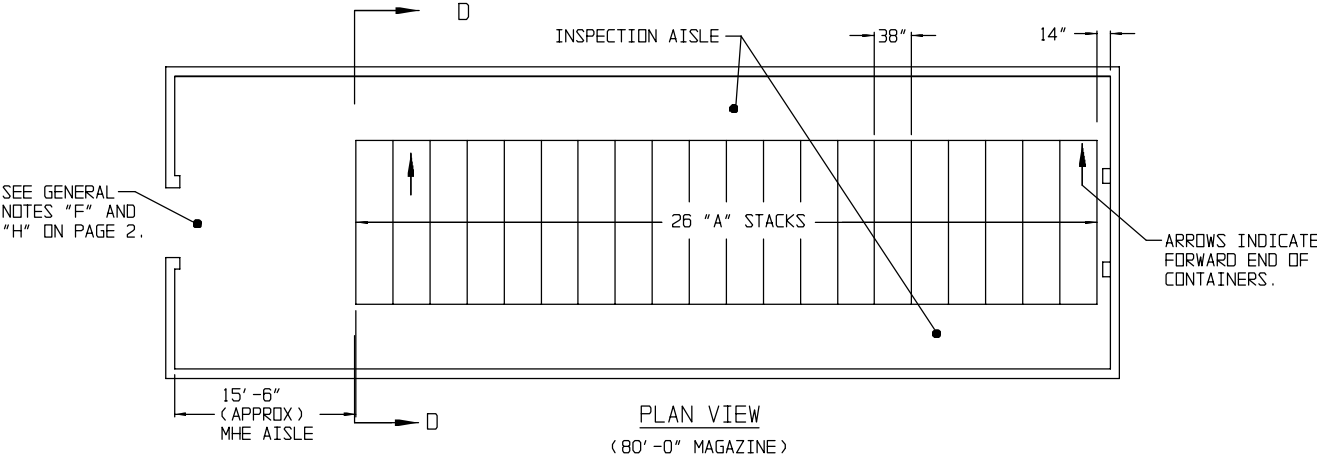


ISOMETRIC VIEW
(40'-0" MAGAZINE)

FOR "GENERAL NOTES" AND "MATERIAL SPECIFICATIONS", SEE PAGE 2.

STORAGE IN 80'-0" MAGAZINE
(11'-0" HIGH)

ITEM	QUANTITY
CONTAINERS - - - - -	60



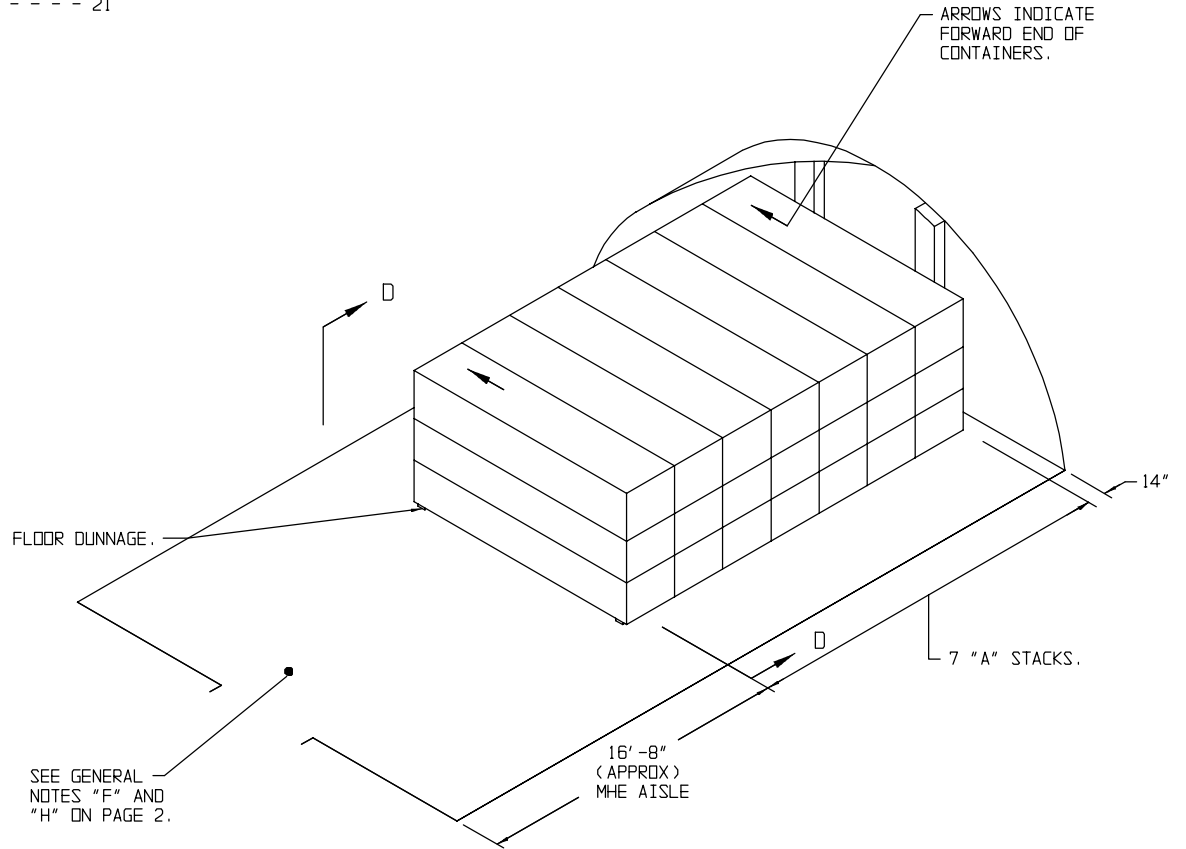
FLOOR DUNNAGE, 2" X 6" X 37".
(2 REQD PER FIRST LAYER CONTAINER). POSITION UNDER SKIDS.
SEE "TYPICAL FLOOR DUNNAGE AND SHIM LOCATION DETAIL" ON PAGE 3
AND GENERAL NOTE "M" ON PAGE 2.

STORAGE IN 40'-0" MAGAZINE

(11'-0" HIGH)

ITEM QUANTITY

CONTAINERS - - - - - 21



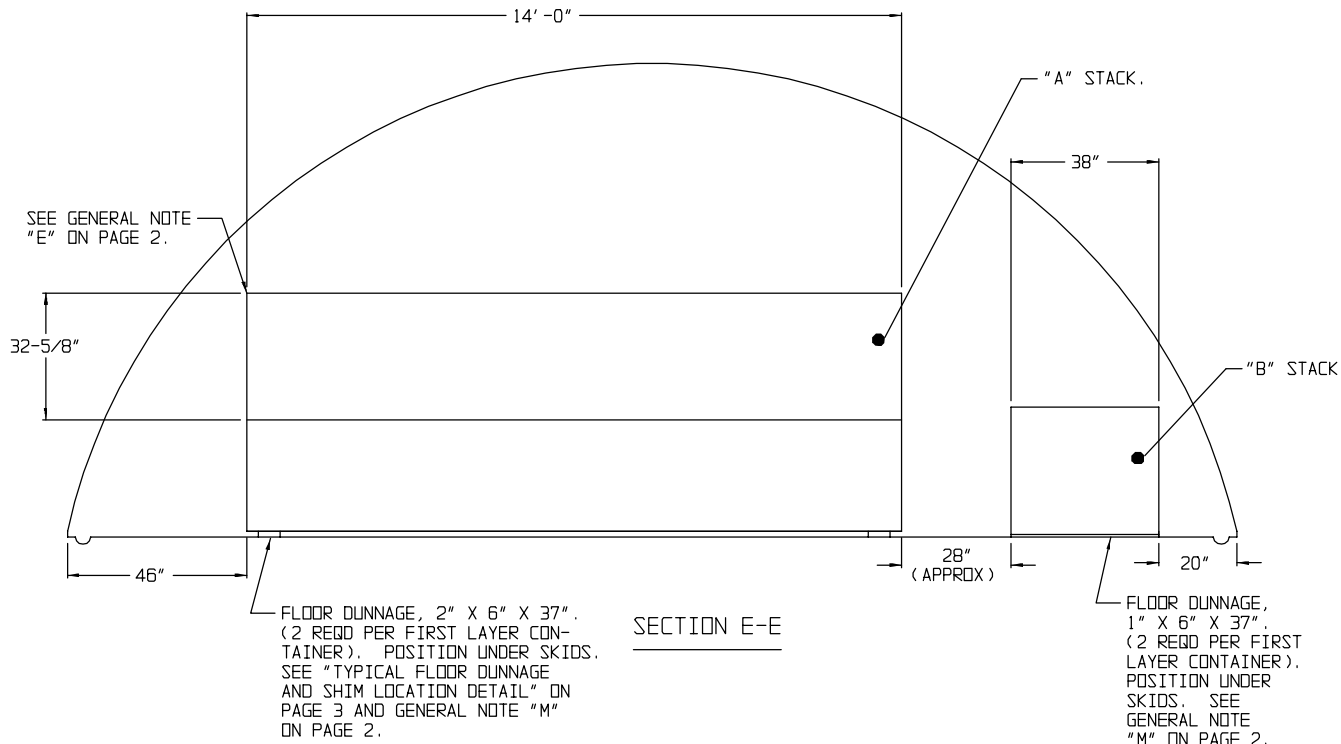
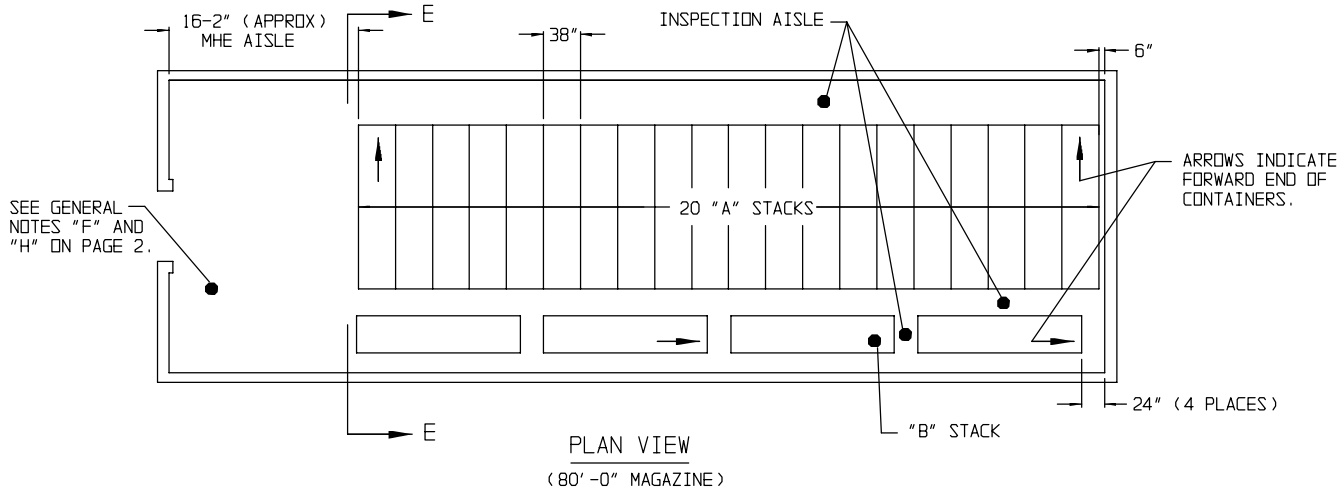
ISOMETRIC VIEW

(40'-0" MAGAZINE)

FOR "GENERAL NOTES" AND "MATERIAL SPECIFICATIONS", SEE PAGE 2.

STORAGE IN 80'-0" MAGAZINE
(10'-0" HIGH)

ITEM	QUANTITY
CONTAINERS-	44

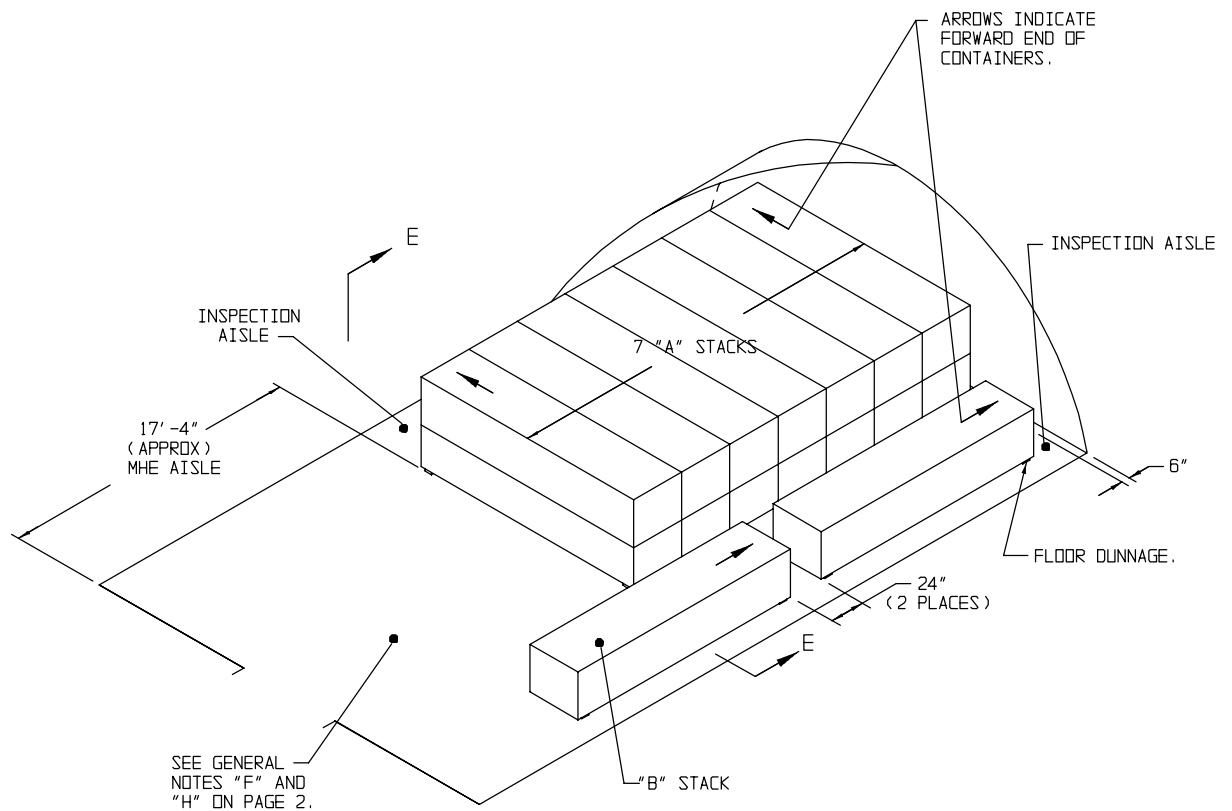


STORAGE IN 40'-0" MAGAZINE

(10'-0" HIGH)

ITEM QUANTITY

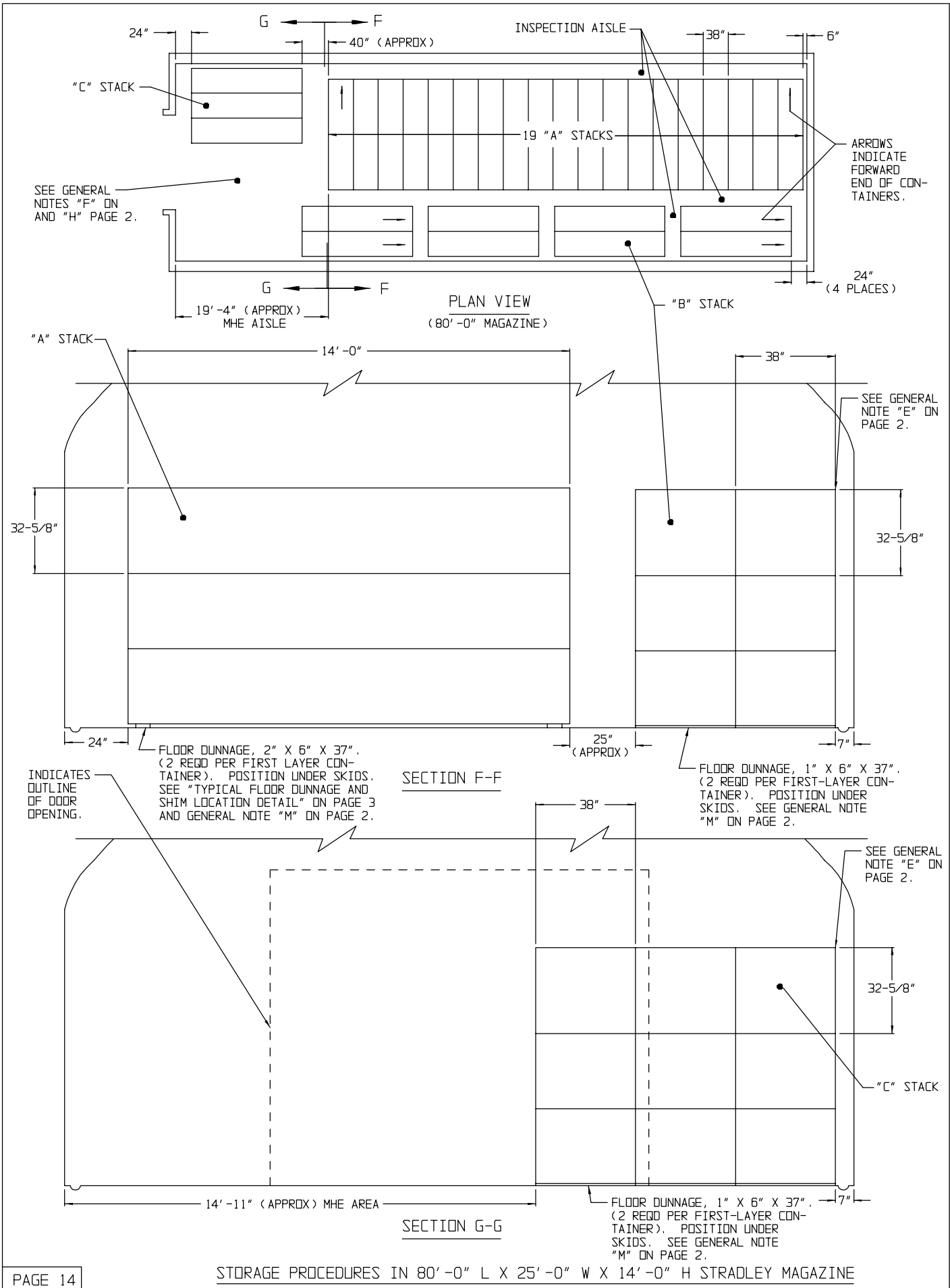
CONTAINERS- - - - - 16



ISOMETRIC VIEW

(40'-0" MAGAZINE)

FOR "GENERAL NOTES" AND "MATERIAL SPECIFICATIONS", SEE PAGE 2.

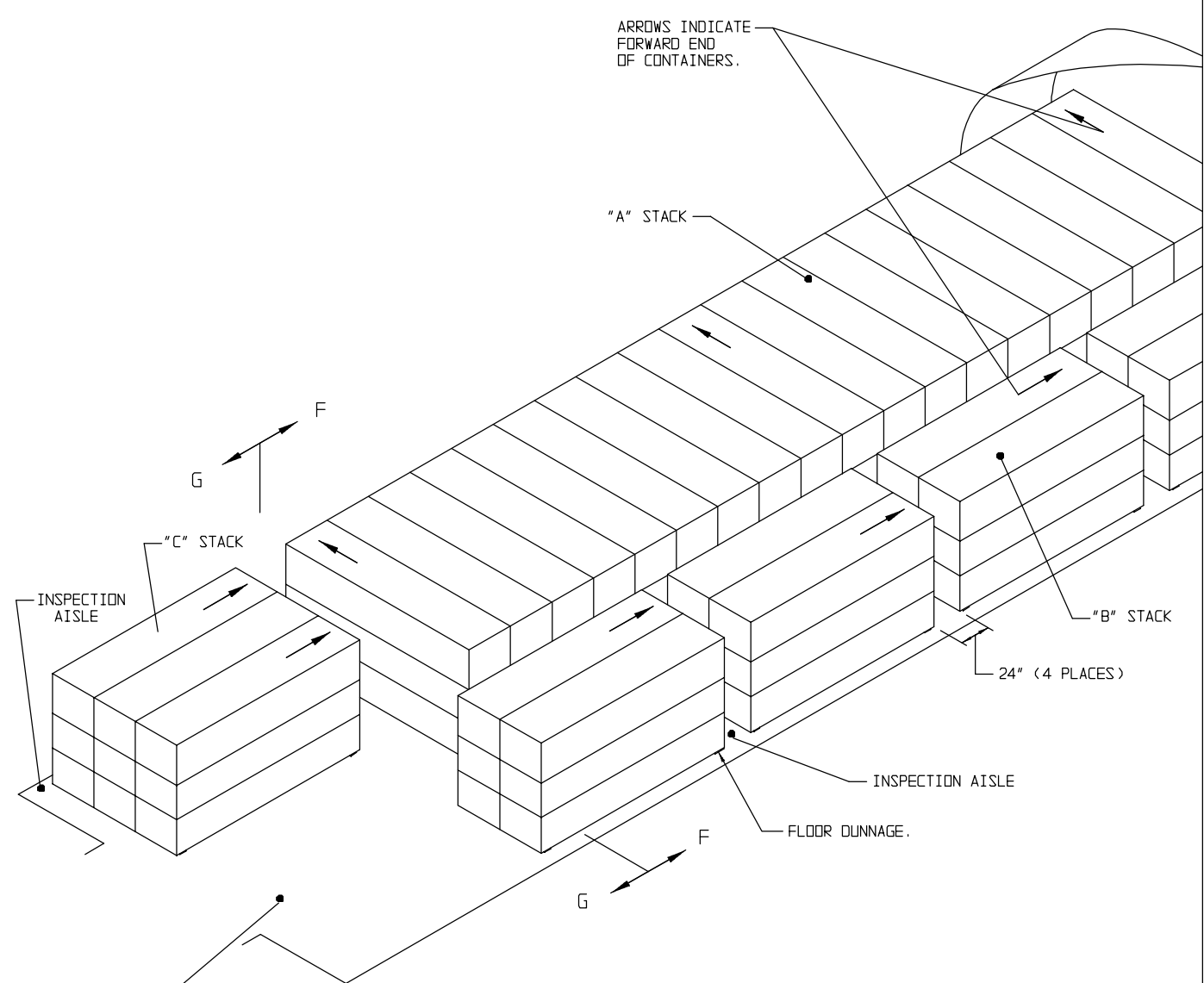


STORAGE IN 80'-0" MAGAZINE

(14'-0" HIGH)

ITEM QUANTITY

CONTAINERS - - - - - 90



ARROWS INDICATE FORWARD END OF CONTAINERS.

"A" STACK

"B" STACK

"C" STACK

INSPECTION AISLE

24" (4 PLACES)

INSPECTION AISLE

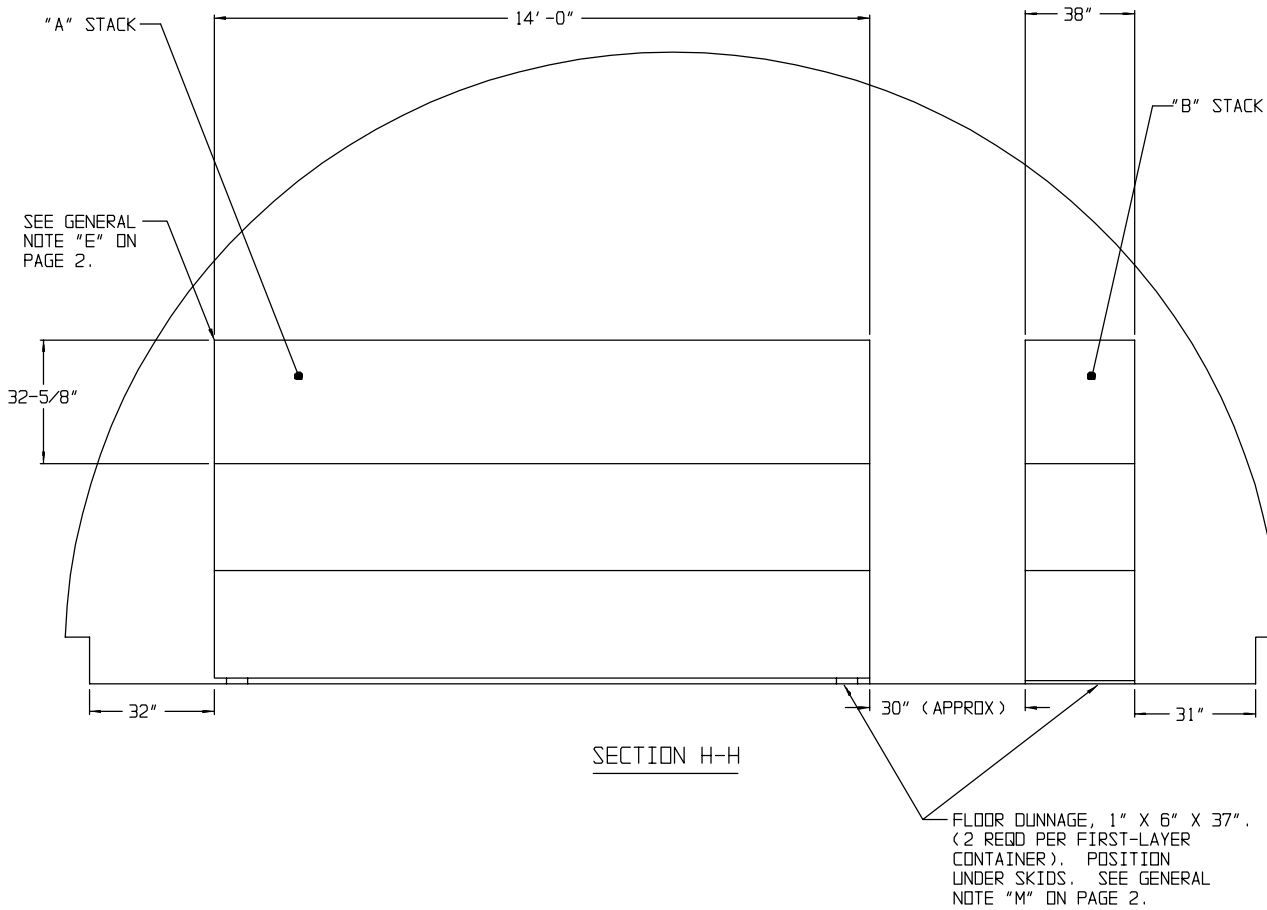
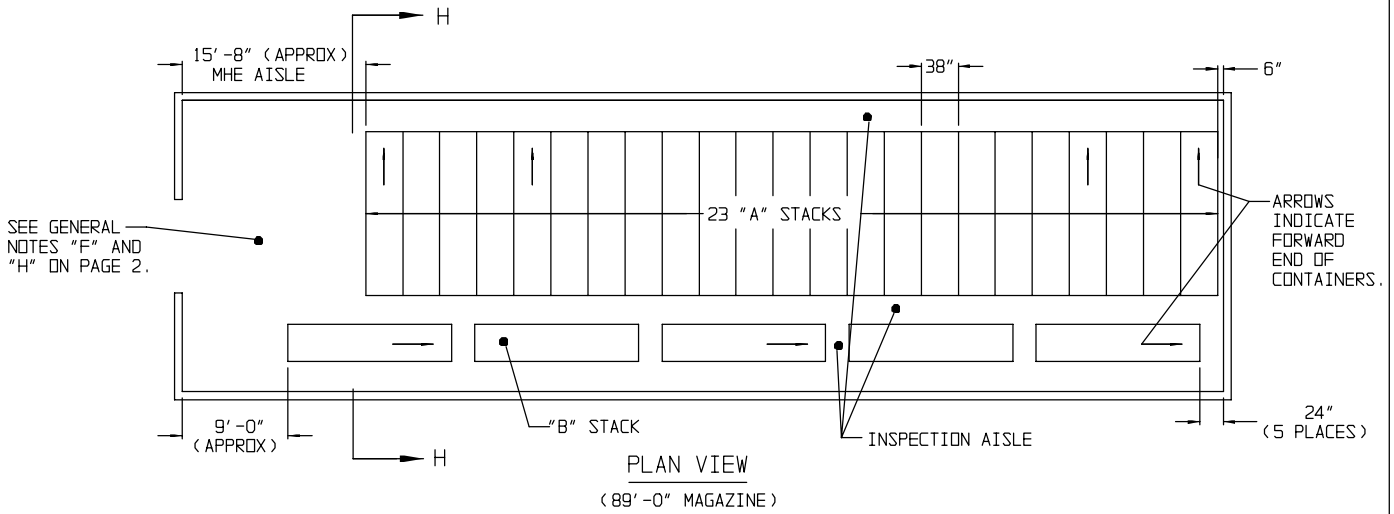
FLOOR DUNNAGE.

SEE GENERAL NOTES "F" AND "H" ON PAGE 2.

FOR "GENERAL NOTES" AND "MATERIAL SPECIFICATIONS", SEE PAGE 2.

ISOMETRIC VIEW

(80'-0" MAGAZINE)

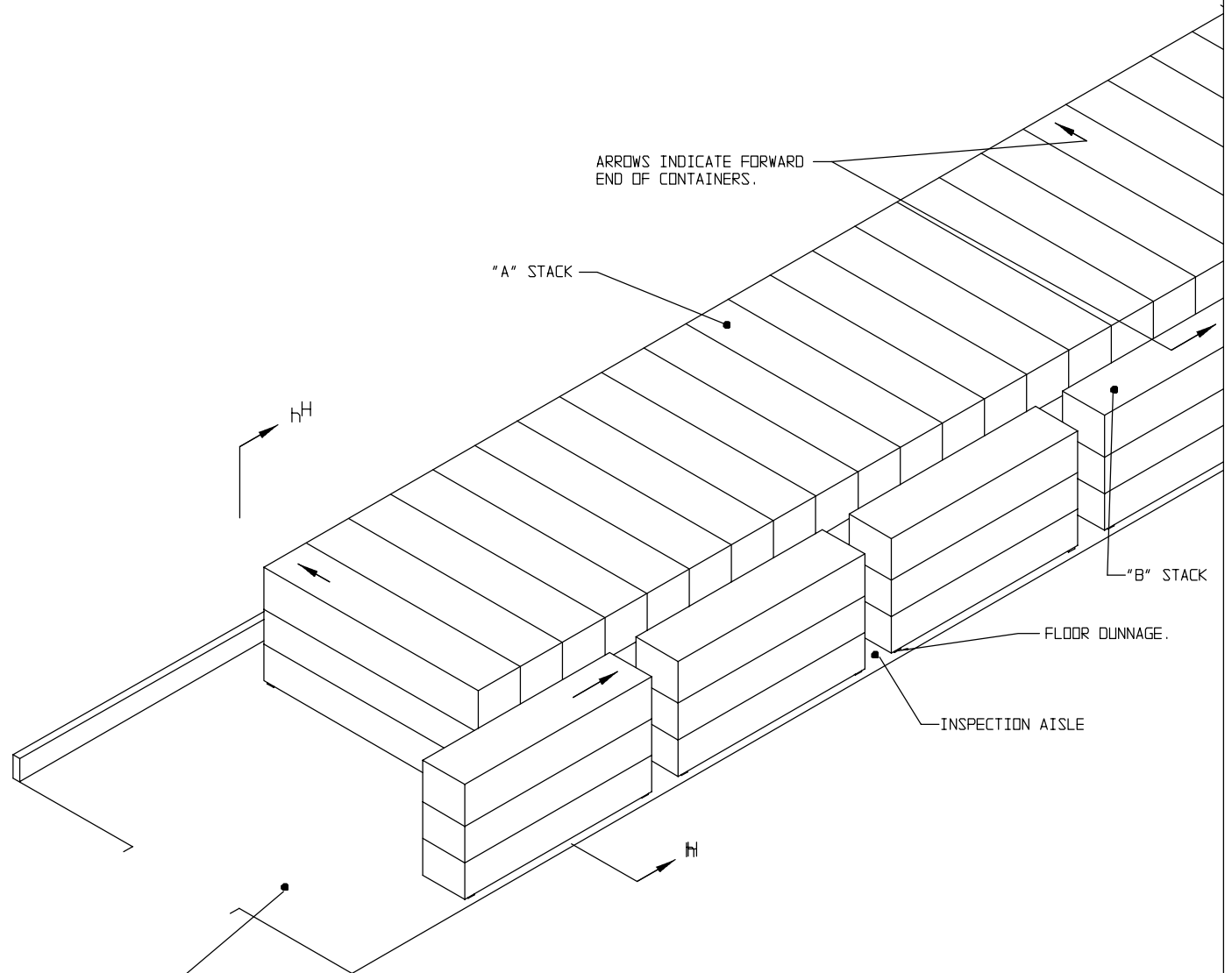


STORAGE IN 89'-0" MAGAZINE

(13'-6" HIGH)

ITEM QUANTITY

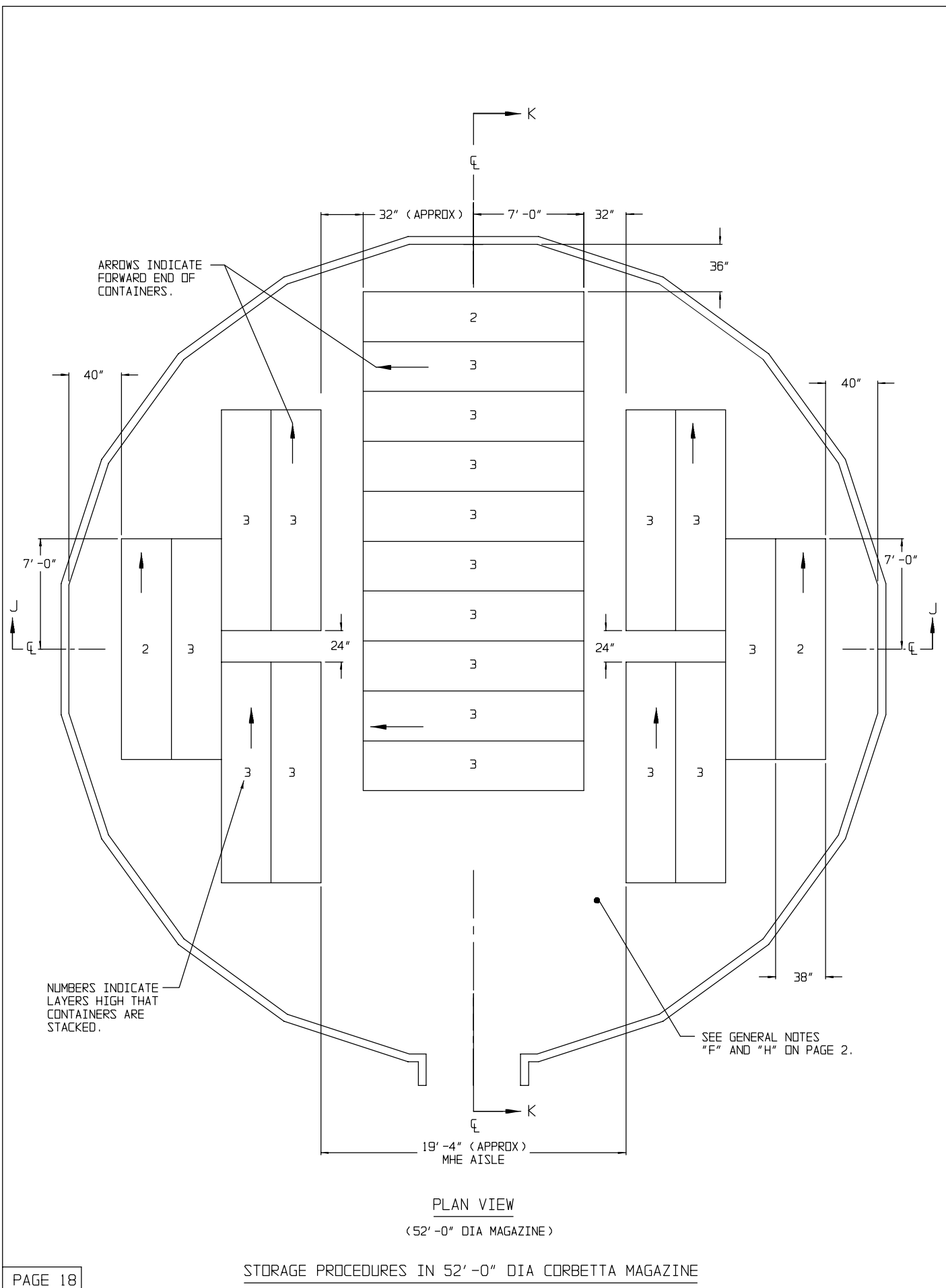
CONTAINERS - - - - - 84



ISOMETRIC VIEW

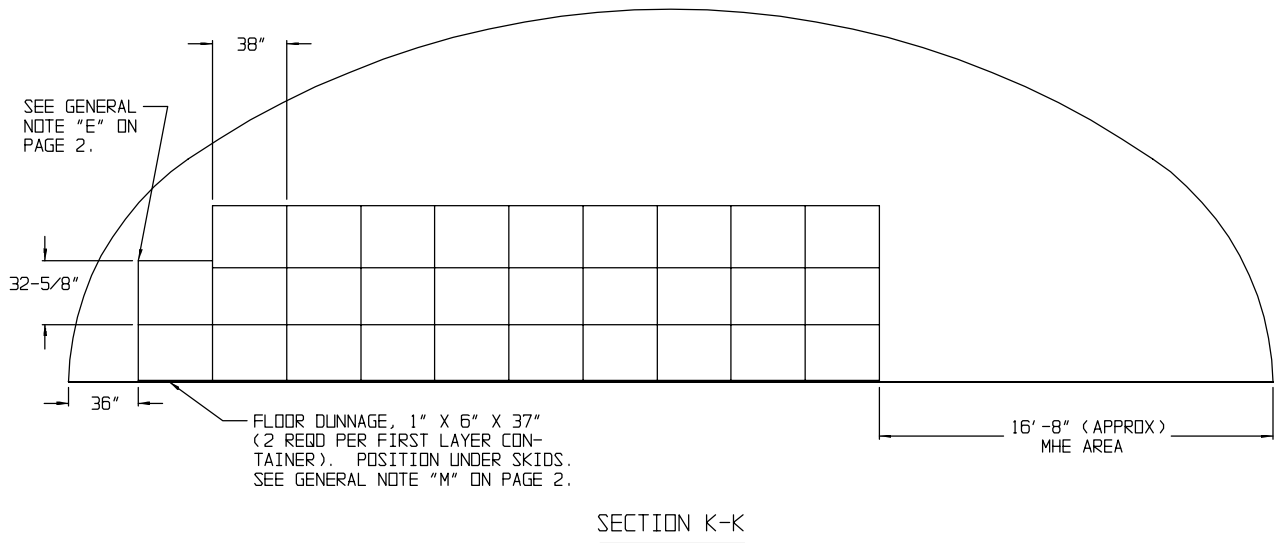
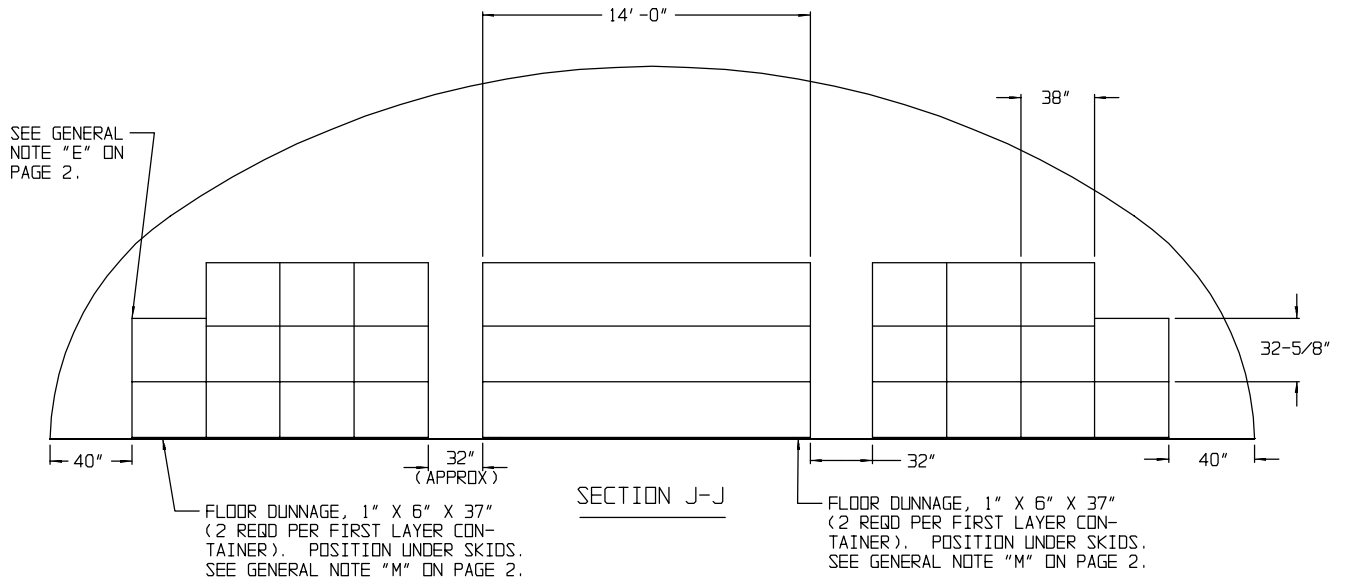
(89'-0" MAGAZINE)

FOR "GENERAL NOTES" AND "MATERIAL SPECIFICATIONS", SEE PAGE 2.

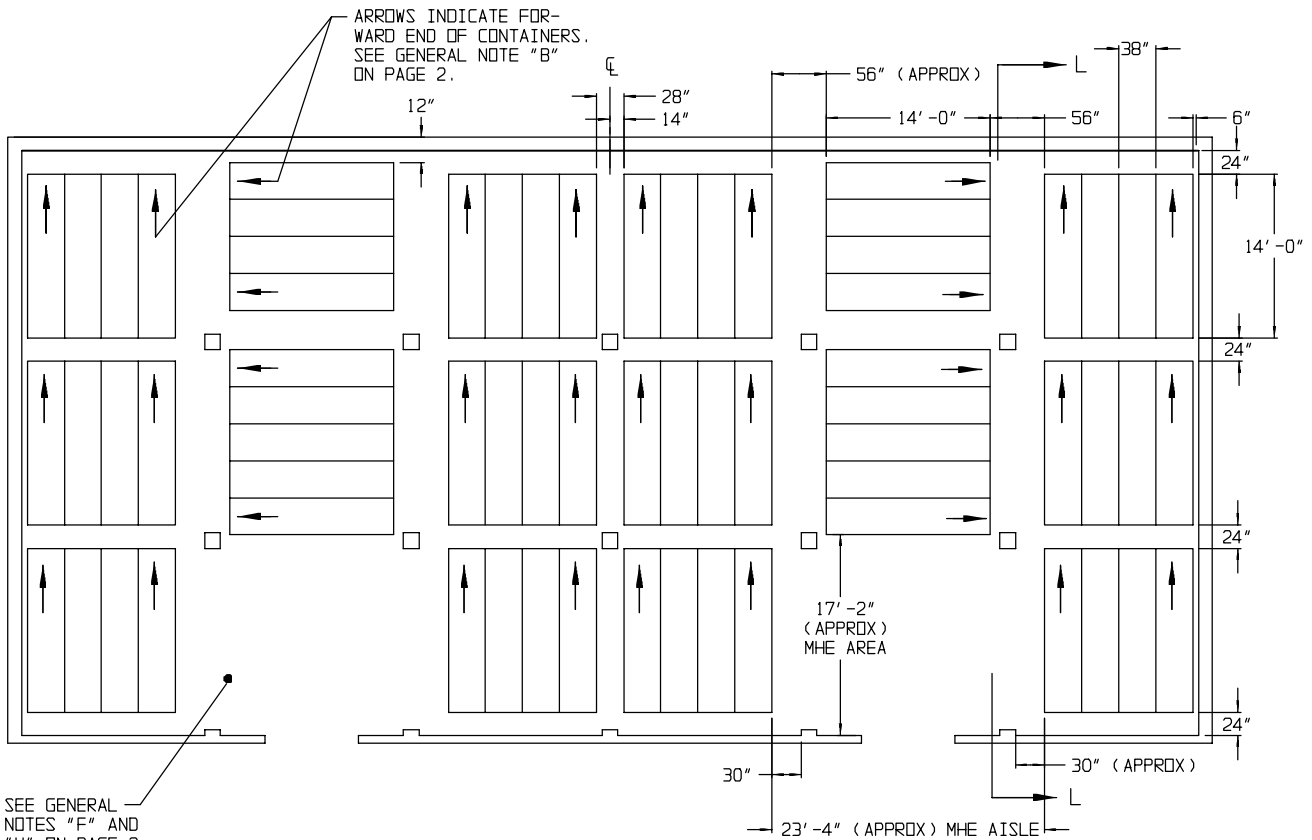


STORAGE IN 52'-0" DIA MAGAZINE

ITEM	QUANTITY
CONTAINERS - - - - -	63

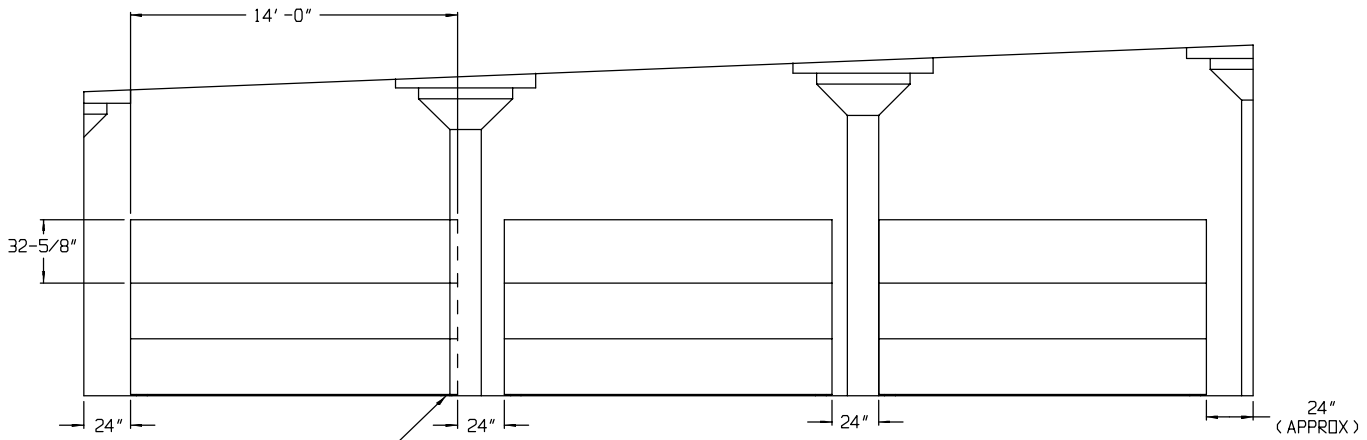


FOR "GENERAL NOTES" AND "MATERIAL SPECIFICATIONS", SEE PAGE 2.



PLAN VIEW

(100'-8" X 50'-0" MAGAZINE)

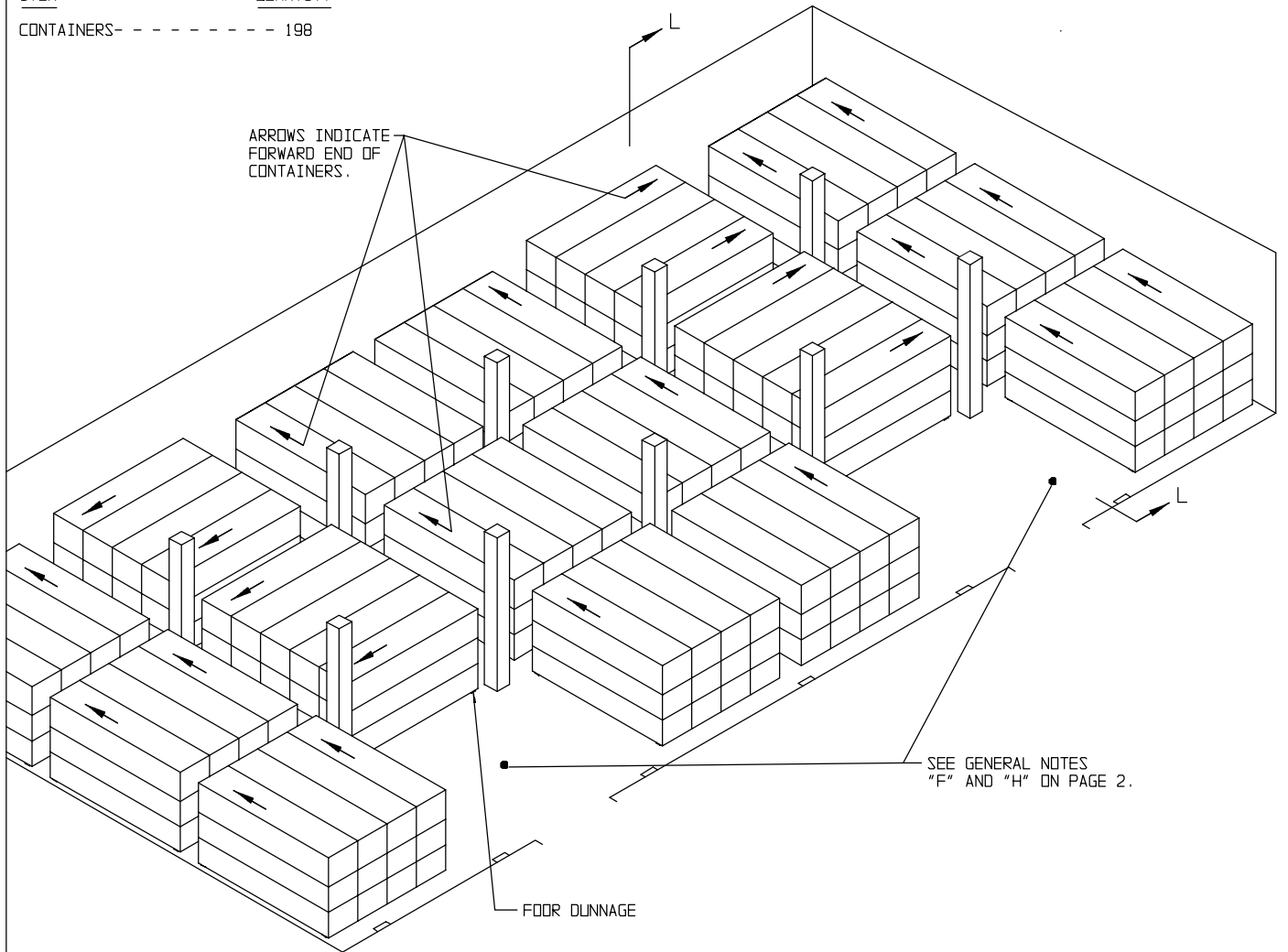


SECTION L-L

FLOOR DUNNAGE, 1" X 6" X 37". (2 REQD PER FIRST LAYER CONTAINER). POSITION UNDER SKIDS. SEE GENERAL NOTE "M" ON PAGE 2.

STORAGE IN 100'-8" X 50'-0"
RECTANGULAR MAGAZINE

<u>ITEM</u>	<u>QUANTITY</u>
CONTAINERS- - - - -	198



ISOMETRIC VIEW
(100'-8" X 50'-0" MAGAZINE)

FOR "GENERAL NOTES" AND "MATERIAL SPECIFICATIONS", SEE PAGE 2.

