

STORAGE IN APPROVED MAGAZINES OF PHOENIX MISSILE AIM-54A (WITH WINGS AND FINS) PACKED 2 PER CNU-242/E OR CNU-242A/E SHIPPING AND STORAGE CONTAINER

INDEX

<u>ITEM</u>	<u>PAGE(S)</u>
GENERAL NOTES AND MATERIAL SPECIFICATIONS - - - - -	2
CONTAINER DETAIL - - - - -	3
STORAGE PROCEDURES (EARTH COVERED MAGAZINES):	
81'-0", 60'-8" AND 40'-4" L X 26'-6" W X 12'-9" H IGLOO MAGAZINES - - -	4,5
81'-2" L X 26'-6" W X 12'-1-3/4" H ARCH TYPE MAGAZINE - - - - -	6,7
80'-0" AND 40'-0" L X 25'-0" W X 12'-1-3/4" H ARCH TYPE MAGAZINES - - -	8,9
80'-0" AND 40'-0" L X 25'-0" W X 11'-0" H ARCH TYPE MAGAZINES - - -	10,11
80'-0" AND 40'-0" L X 25'-0" W X 10'-0" H ARCH TYPE MAGAZINES - - -	12,13
80'-0" L X 25'-0" W X 14'-0" H STRADLEY MAGAZINE - - - - -	14,15
89'-0" L X 24'-11" W X 13'-6" H STEEL ARCH MAGAZINE - - - - -	16,17
52'-0" DIA CORBETTA MAGAZINE - - - - -	18,19
100'-8" L X 50'-0" W RECTANGULAR MAGAZINE - - - - -	20,21

U.S. ARMY MATERIEL COMMAND DRAWING			
APPROVED, U.S. ARMY INDUSTRIAL OPERATIONS COMMAND <i>NLH</i> <i>David A. Piskovik</i> AMSTA-AR-ESK	DRAFTSMAN	I. DEPPE	
APPROVED BY ORDER OF COMMANDING GENERAL, U.S. ARMY MATERIEL COMMAND <i>Gayle Kelly</i> U.S. ARMY DEFENSE AMMUNITION CENTER AND SCHOOL	ENGINEER	M. DAEUMER	
	SUPPLY ENGINEERING DIVISION	<i>Thom J. Mitchell</i>	
	LOGISTICS ENGINEERING OFFICE	<i>William F. Ernst</i>	
	MARCH 1996		
	CLASS	DIVISION	DRAWING
	19	48	8624
			FILE
			SP1-3-4-14 -22J30

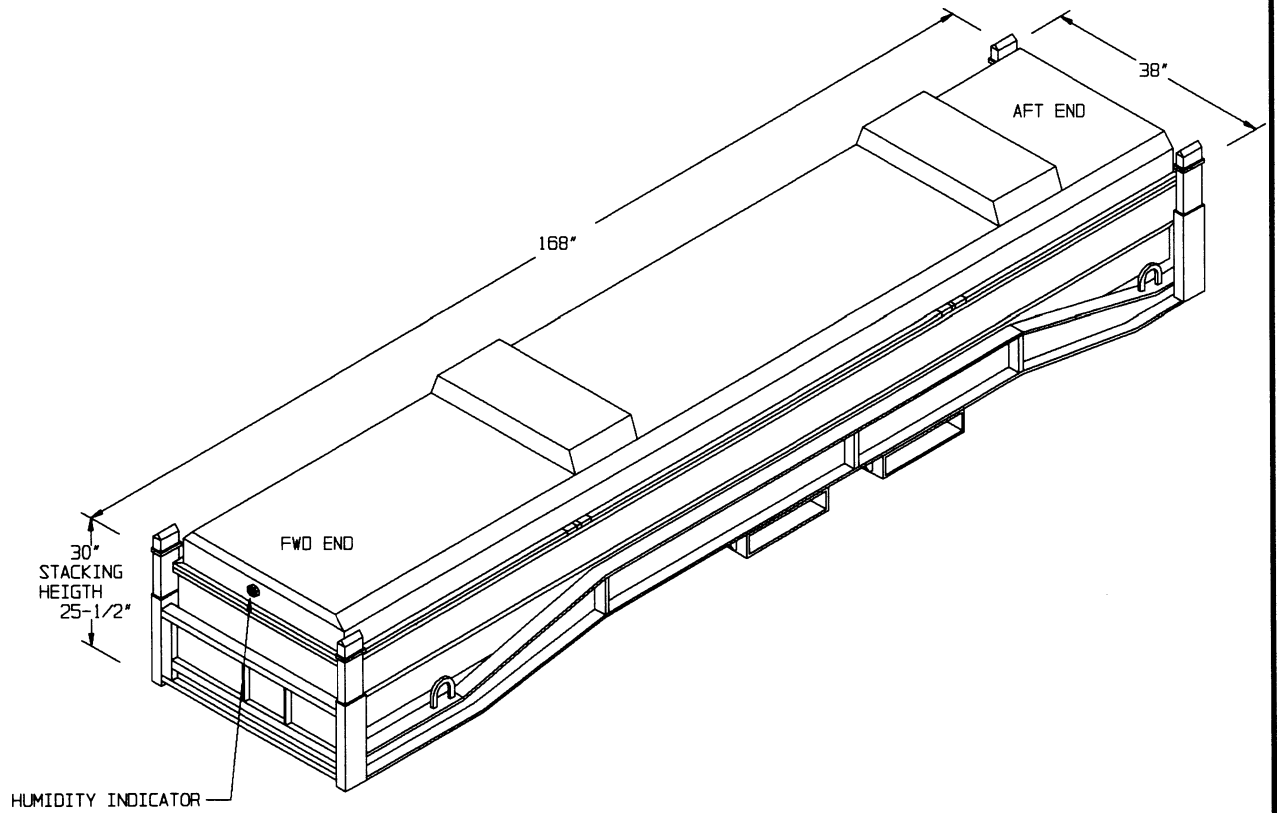
DO NOT SCALE

GENERAL NOTES

- A. THIS DOCUMENT HAS BEEN PREPARED AND ISSUED IN ACCORDANCE WITH AR 740-1 AND AUGMENTS TM 743-200-1 (CHAPTER 5).
- B. THE STORAGE PROCEDURES SPECIFIED HEREIN ARE APPLICABLE TO PHOENIX MISSILE AIM-54A (WITH WINGS AND FINS) IN METAL SHIPPING AND STORAGE CONTAINER CNU-242/E OR CNU-242 A/E. SUBSEQUENT REFERENCE TO CONTAINER MEANS THE SHIPPING AND STORAGE CONTAINER WITH CONTENTS.
- C. FOR DETAILS OF THE SHIPPING AND STORAGE CONTAINER, SEE THE DETAIL ON PAGE 3.
- CONTAINER DIMENSIONS - - - - - 168" L X 38" W X 30" H
STACKING HEIGHT - - - - - 25-1/2"
GROSS WEIGHT (APPROX): - - - - - 2970 LBS
CUBE - - - - - 110.8 CU FT
- D. CAUTION: THIS ITEM IS IN A "PROPULSIVE STATE" AND MUST BE STORED WITH THE "NOSE END" FACING TOWARD THE MAGAZINE SIDEWALL OR THE REARWALL AS INDICATED BY THE DIRECTIONAL ARROWS IN THE STORAGE VIEWS.
- E. CAUTION: DO NOT STACK MORE THAN FOUR (4) CONTAINERS HIGH IN STORAGE.
- F. THE STORAGE PROCEDURES DEPICTED WITHIN THIS DOCUMENT ARE APPLICABLE FOR STORAGE IN VARIOUS TYPES AND SIZES OF MAGAZINES. THE STORAGE PROCEDURES DEPICTED FOR THE SPECIFIC TYPES OF MAGAZINES MAY ALSO BE UTILIZED TO STORE CONTAINERS IN OTHER TYPES OF APPROVED MAGAZINES. MINOR ADJUSTMENTS MAY BE MADE TO FACILITATE STORAGE IN OTHER TYPES OF MAGAZINES, HOWEVER, THE BASIC PRINCIPLES AS DEPICTED HEREIN WILL BE FOLLOWED.
- G. AISLE DIMENSIONS AS SHOWN HEREIN MAY BE ADJUSTED TO SUIT LOCAL CONDITIONS AND/OR AVAILABLE MATERIAL HANDLING EQUIPMENT (MHE), HOWEVER, AN 18" MINIMUM INSPECTION AISLE MUST BE MAINTAINED AT BOTH ENDS OF EACH CONTAINER TO PERMIT INSPECTION OF HUMIDIDTY INDICATORS.
- H. CAUTION: THE ALLOWABLE "EXPLOSIVE LIMIT" ESTABLISHED FOR A MAGAZINE IS NOT TO BE EXCEEDED. THIS LIMITATION MAY REQUIRE A QUANTITY REDUCTION FROM THE STORAGE AS SHOWN. SEE GENERAL NOTE "N".
- J. THE USE OF "FLOOR DUNNAGE" UNDER EACH FIRST-LAYER CONTAINER IS OPTIONAL, ALTHOUGH THE USE OF THIS TYPE OF DUNNAGE IS DELINEATED WITHIN THIS STORAGE PROCEDURE DRAWING. THE PURPOSE OF THE FLOOR DUNNAGE IS TO HELP KEEP THE RUNNERS OF A CONTAINER DRY, THUS AIDING IN PREVENTING DETERIORATION DUE TO CORROSION. THEREFORE, FLOOR DUNNAGE SHOULD BE USED WHEN STORING IN A MAGAZINE THAT IS KNOWN TO HAVE A "DAMP" FLOOR.
- K. IF AVAILABLE MHE PERMITS, ADDITIONAL CONTAINERS MAY BE STORED WITHIN THE FRONTAL AREA AND/OR OTHER AVAILABLE AREA OF THE MAGAZINE.
- L. STORED CONTAINERS MUST NOT CONTACT THE WALLS OF A MAGAZINE. TO PROVIDE FOR THIS MANDATORY CLEARANCE REQUIREMENT, CONTAINERS MAY BE ELIMINATED FROM THE DEPICTED STORAGE PATTERN AS NECESSARY.
- M. OTHER COMPATIBLE ITEMS MAY BE STORED IN A MAGAZINE WHICH IS PARTIALLY FILLED WITH THE DESIGNATED ITEM.
- N. IF THE QUANTITY OF CONTAINERS FOR A MAGAZINE IS TO BE REDUCED FROM WHAT IS SHOWN HEREIN DUE TO THE PERMITTED "EXPLOSIVE LIMIT" OR FOR ANY OTHER REASON, SUCH AS A LIMITED QUANTITY TO BE STORED, THE DELINEATED PROCEDURES ARE TO BE ADJUSTED BY OMITTING STACKS RATHER THAN BY OMITTING LAYERS.
- O. CONVERSION TO METRIC EQUIVALENTS: DIMENSIONS WITHIN THIS DOCUMENT ARE EXPRESSED IN INCHES, AND WEIGHTS ARE EXPRESSED IN POUNDS. WHEN NECESSARY, THE METRIC EQUIVALENT MAY BE COMPUTED ON THE BASIS OF ONE INCH EQUALS 25.4 MM, AND ONE POUND EQUALS 0.454 KG.
- P. PORTIONS OF THE MAGAZINES, SUCH AS SIDEWALLS, END WALLS AND ROOFS HAVE NOT BEEN SHOWN IN THE STORAGE VIEWS FOR CLARITY PURPOSES.

MATERIAL SPECIFICATIONS

LUMBER - - - - - : SEE TM 743-200-1 (DUNNAGE LUMBER) AND FED SPEC MM-L-751.



CNU-242/E OR CNU-242A/E
CONTAINER

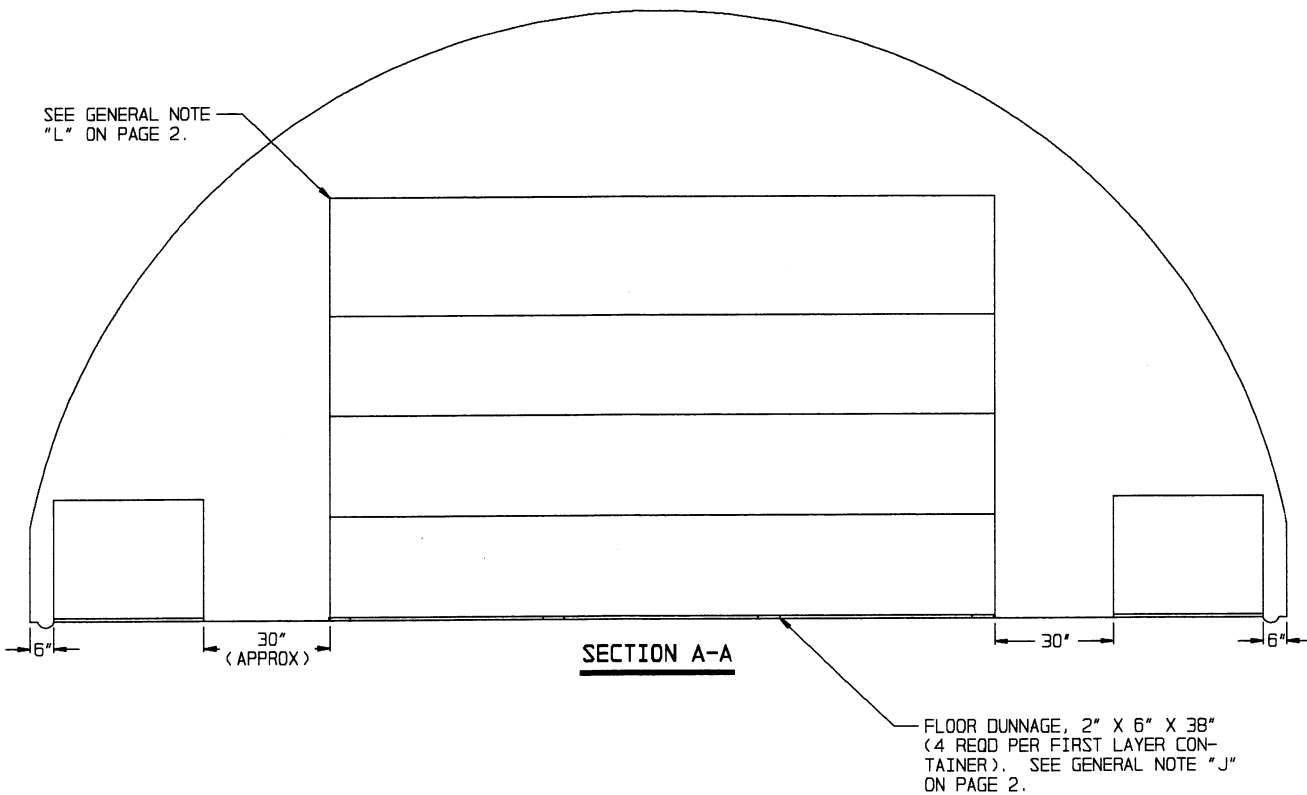
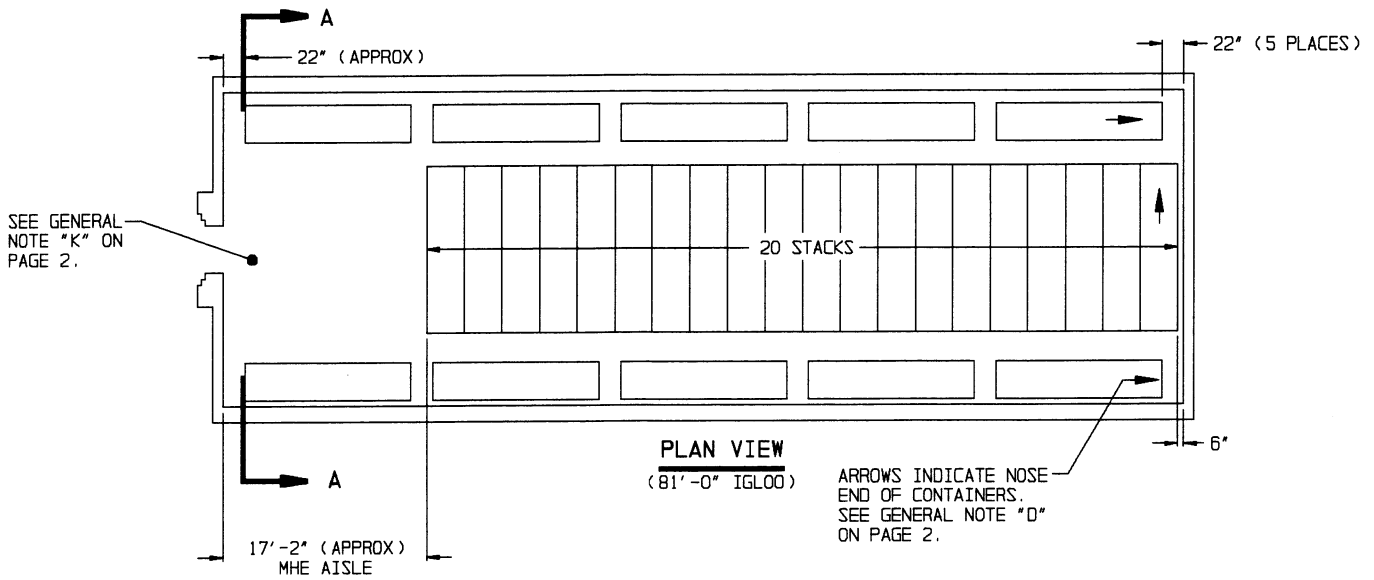
SEE GENERAL NOTE "E" ON PAGE 2.

STORAGE IN 81'-0" IGLOO

(12'-9" HIGH)

ITEM QUANTITY

CONTAINER - - - - - 90



STORAGE IN 60'-8" IGLOO

(12'-9" HIGH)

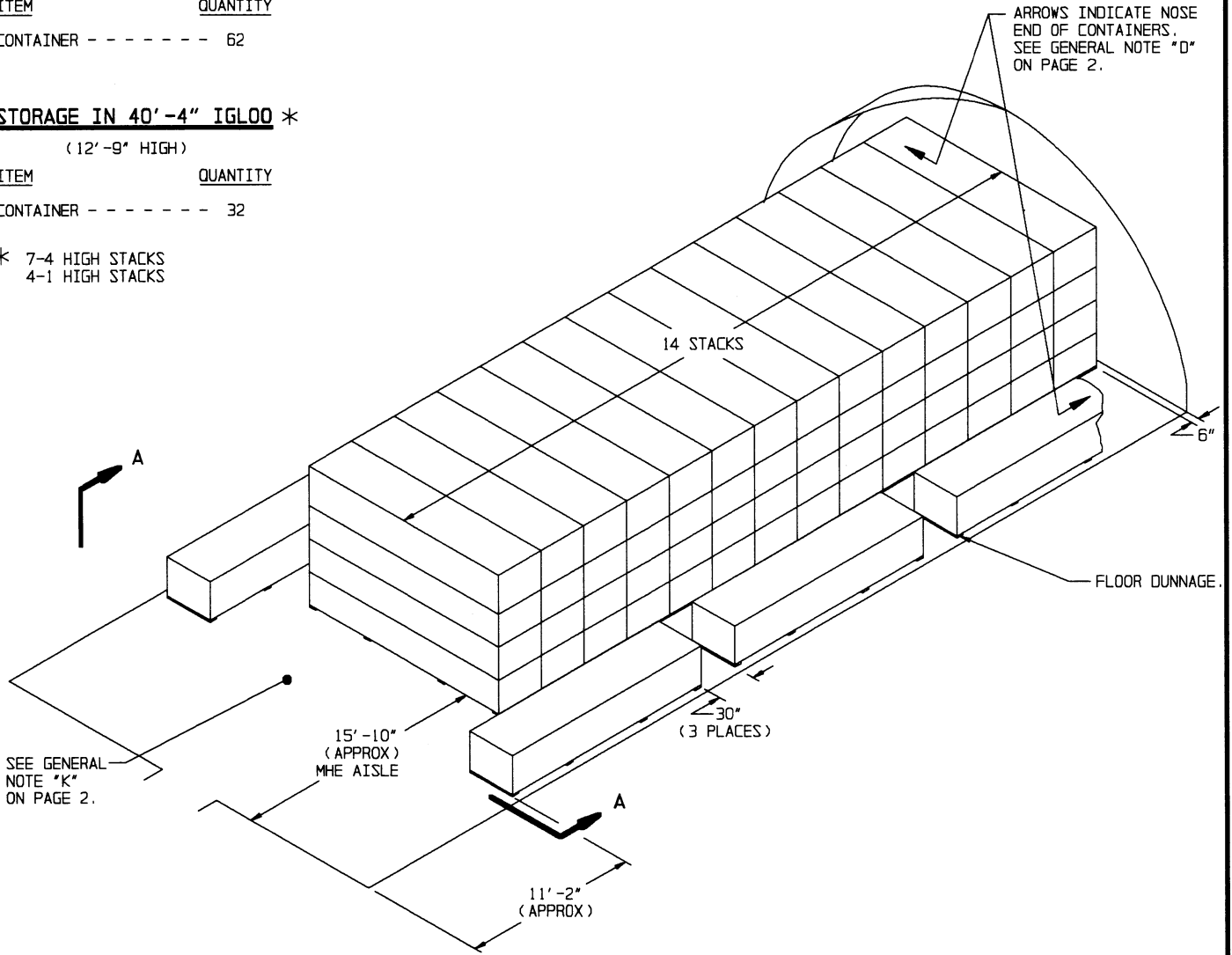
ITEM	QUANTITY
CONTAINER - - - - -	62

STORAGE IN 40'-4" IGLOO *

(12'-9" HIGH)

ITEM	QUANTITY
CONTAINER - - - - -	32

- * 7-4 HIGH STACKS
- 4-1 HIGH STACKS

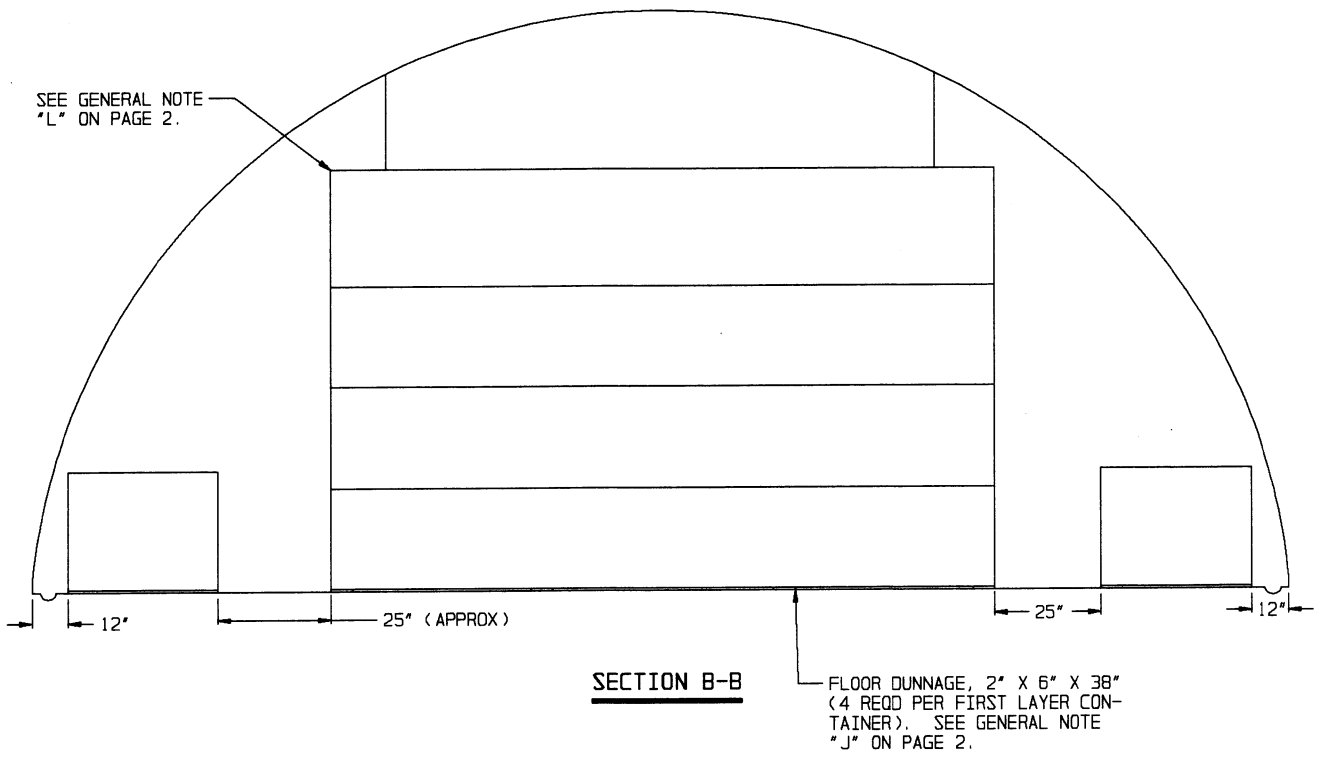
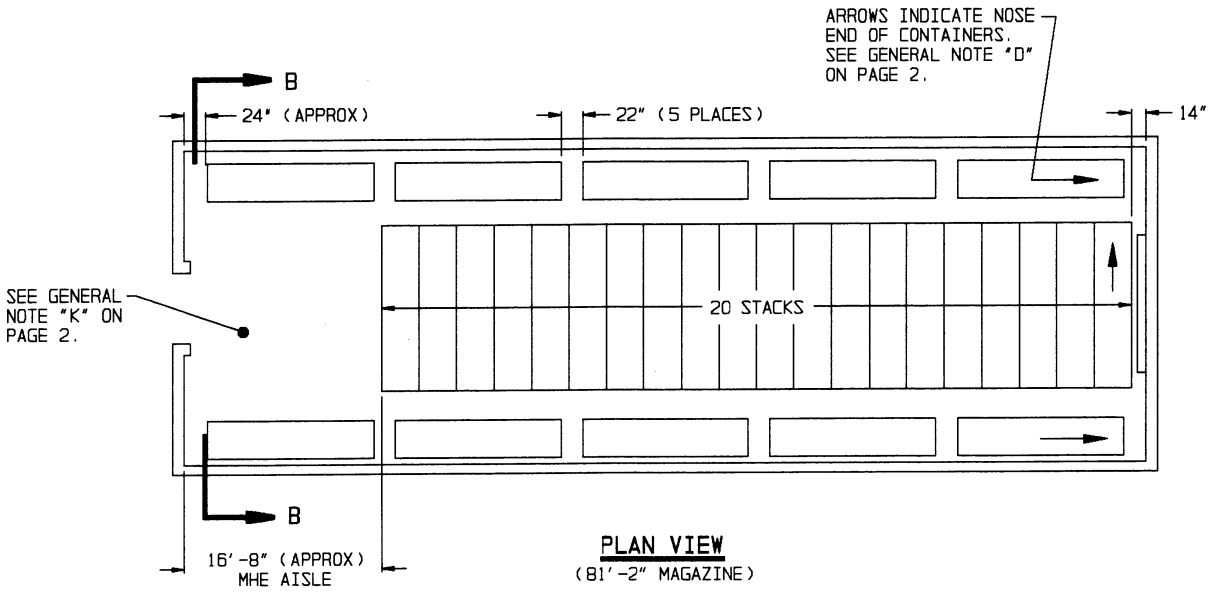


ISOMETRIC VIEW
(60'-8" IGLOO)

FOR "GENERAL NOTES" AND "MATERIAL SPECIFICATIONS", SEE PAGE 2.

BILL OF MATERIAL (PER FIRST LAYER CONTAINER)

LUMBER	LINEAR FEET	BOARD FEET
2" X 6"	13	13

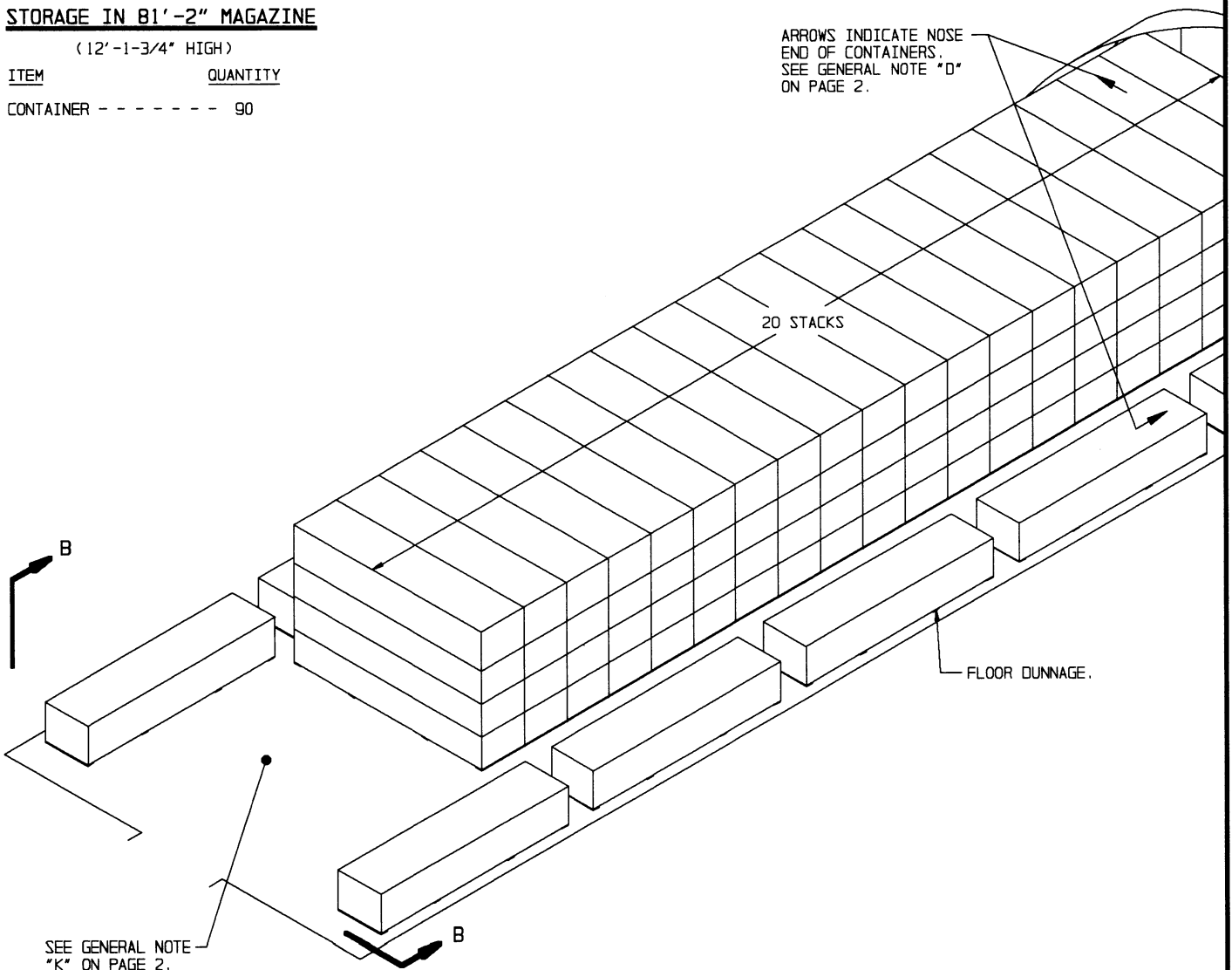


STORAGE IN 81'-2" MAGAZINE

(12'-1-3/4" HIGH)

ITEM	QUANTITY
CONTAINER - - - - -	90

ARROWS INDICATE NOSE
END OF CONTAINERS.
SEE GENERAL NOTE "D"
ON PAGE 2.



ISOMETRIC VIEW
(81'-2" MAGAZINE)

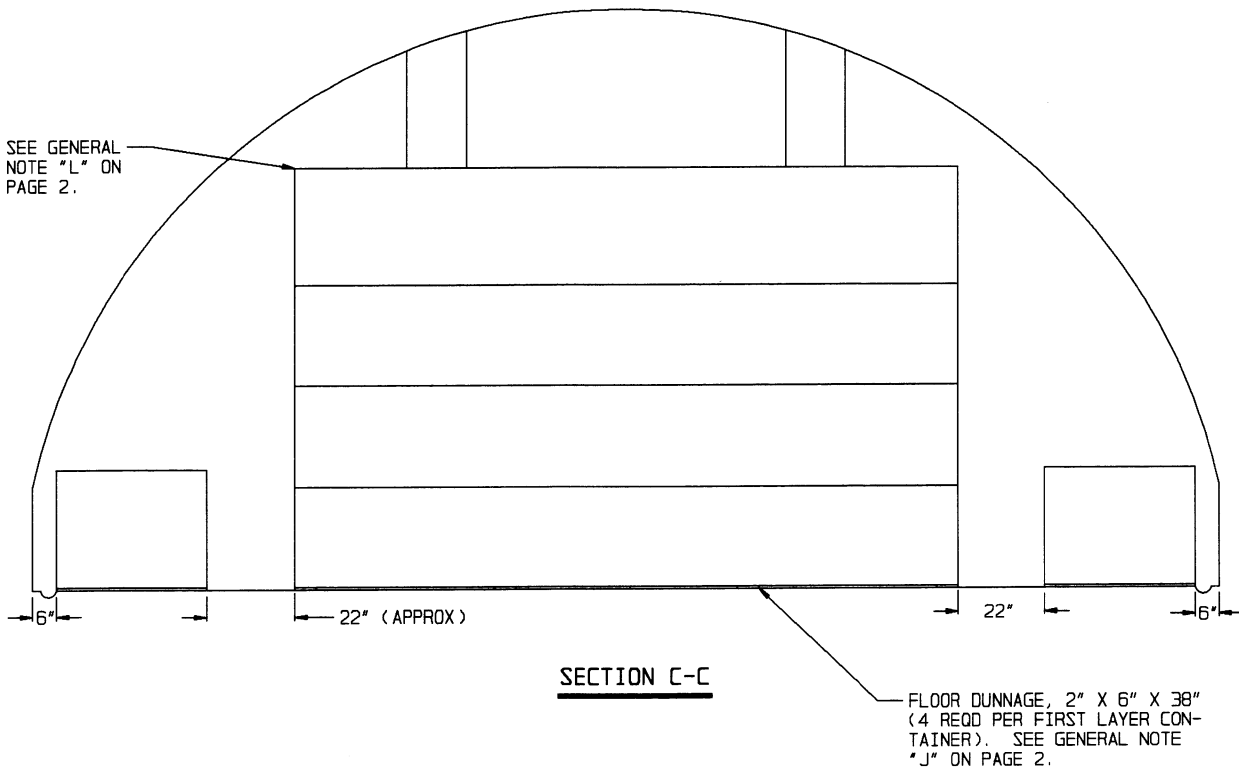
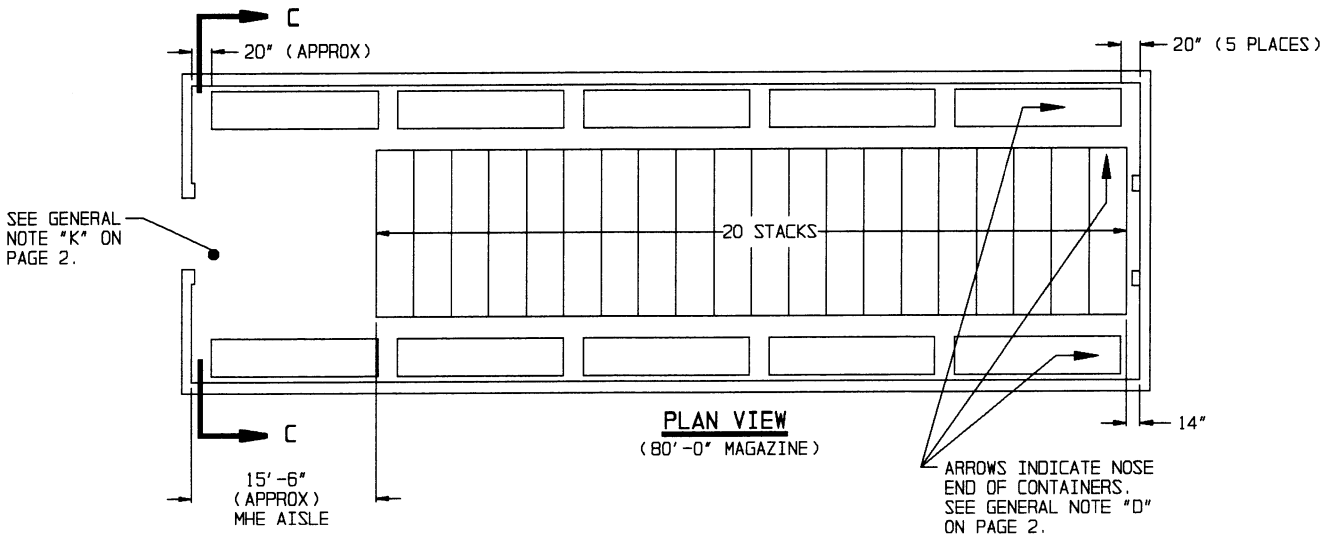
FOR "GENERAL NOTES" AND "MATERIAL SPECIFICATIONS", SEE PAGE 2.

BILL OF MATERIAL (PER FIRST LAYER CONTAINER)

LUMBER	LINEAR FEET	BOARD FEET
2" X 6"	13	13

STORAGE IN 80'-0" MAGAZINE
(12'-1-3/4" HIGH)

ITEM	QUANTITY
CONTAINER	----- 90

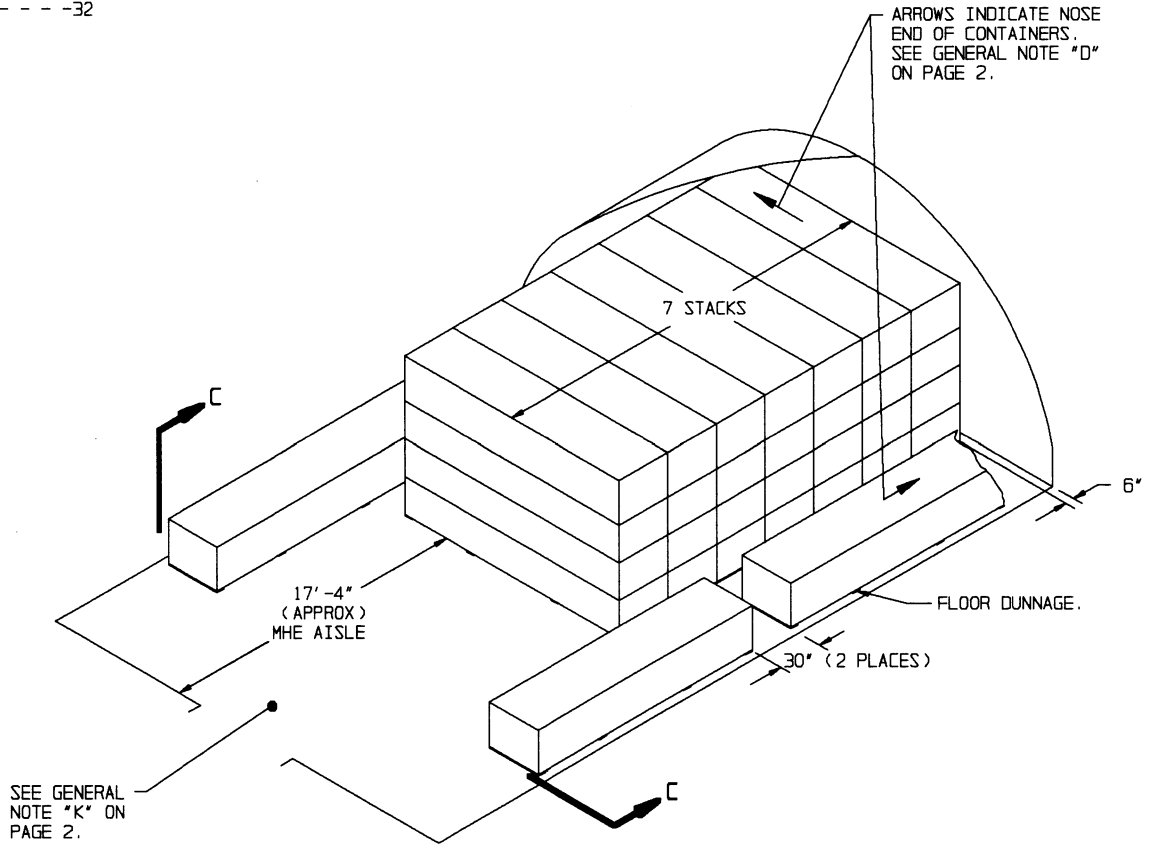


STORAGE IN 40'-0" MAGAZINE

(12'-1-3/4" HIGH)

ITEM QUANTITY

CONTAINER - - - - -32



ISOMETRIC VIEW
(40'-0" MAGAZINE)

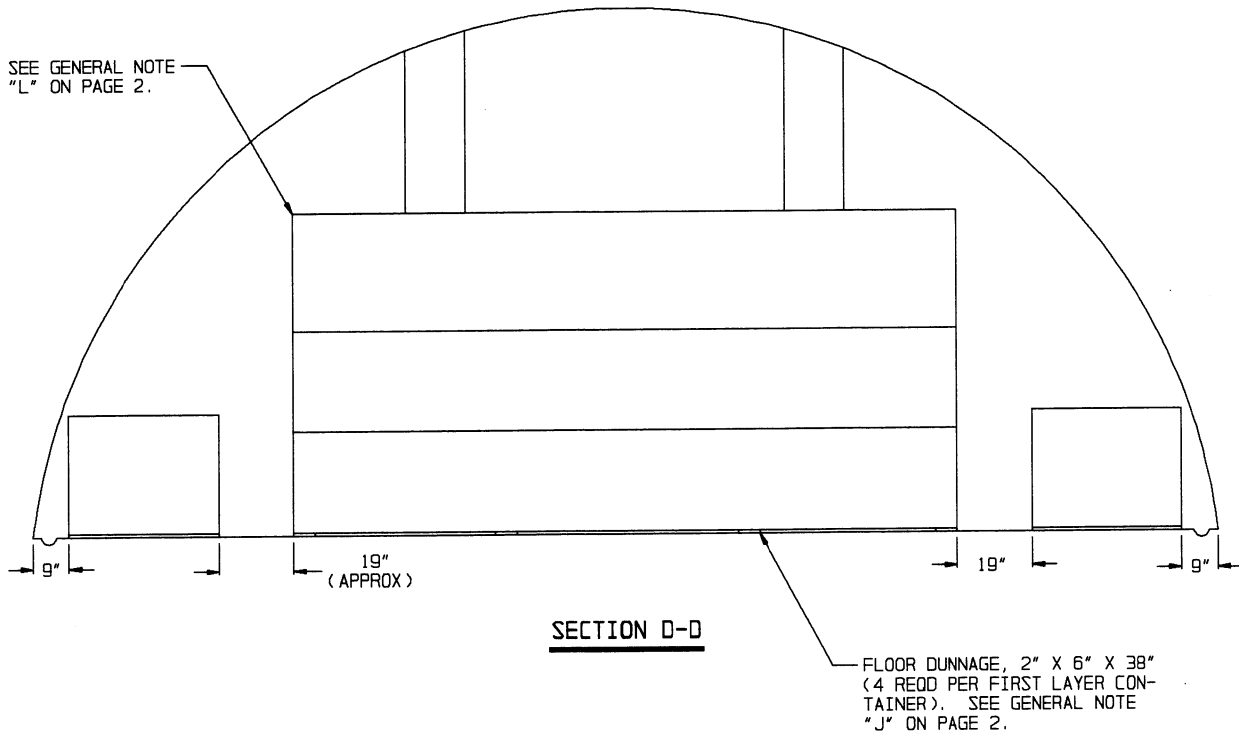
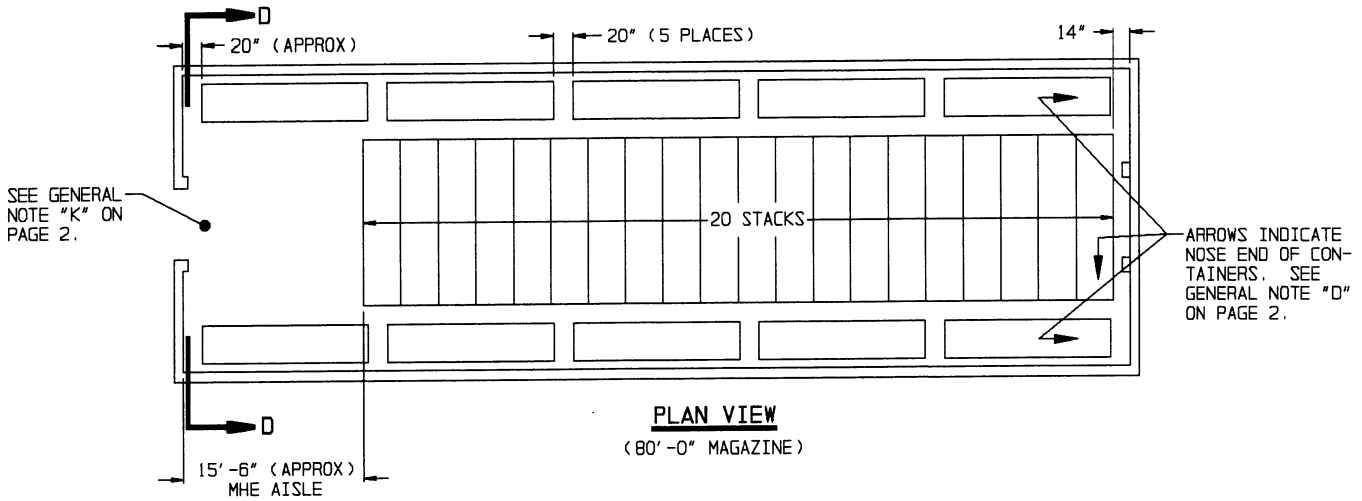
FOR "GENERAL NOTES" AND "MATERIAL SPECIFICATIONS", SEE PAGE 2.

BILL OF MATERIAL (PER FIRST LAYER CONTAINER)

LUMBER	LINEAR FEET	BOARD FEET
2" X 6"	13	13

STORAGE IN 80'-0" MAGAZINE
(11'-0" HIGH)

ITEM	QUANTITY
CONTAINER - - - - -	70

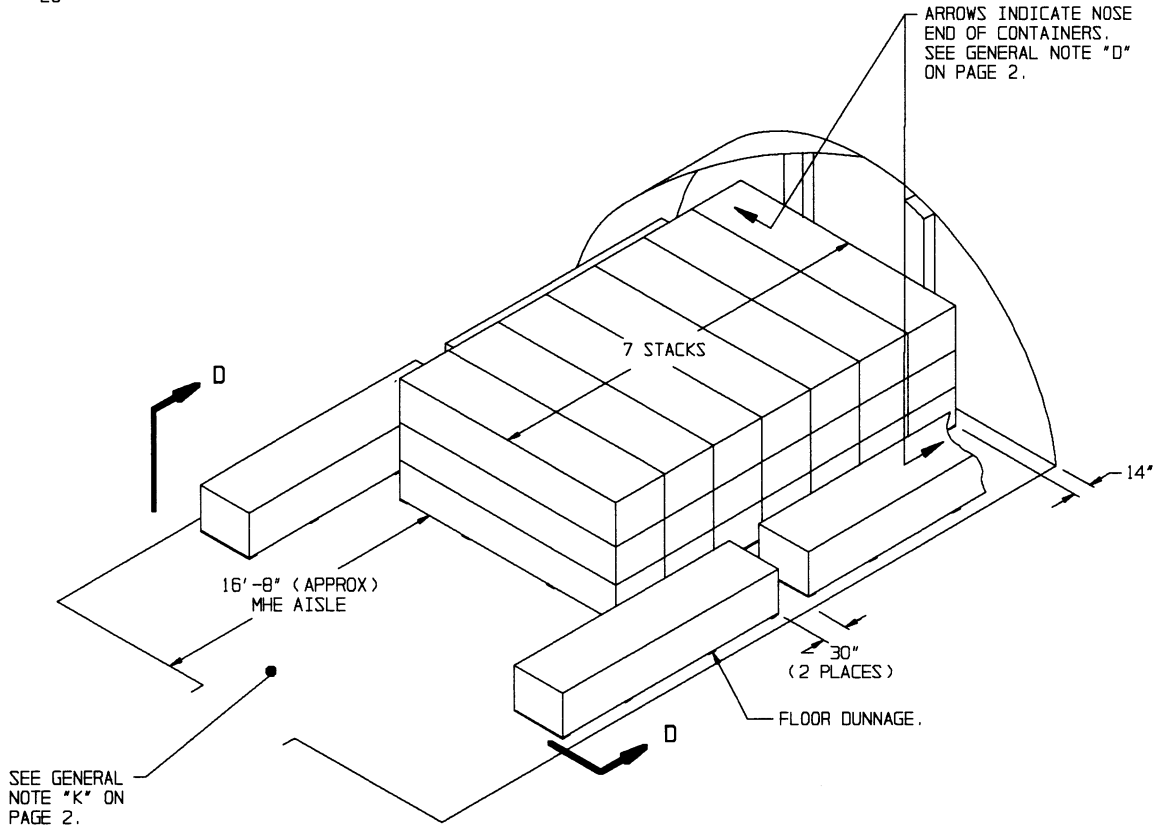


STORAGE IN 40'-0" MAGAZINE

(11'-0" HIGH)

ITEM QUANTITY

CONTAINER - - - - - 25



ISOMETRIC VIEW

(40'-0" MAGAZINE)

FOR "GENERAL NOTES" AND "MATERIAL SPECIFICATIONS", SEE PAGE 2.

BILL OF MATERIAL (PER FIRST LAYER CONTAINER)

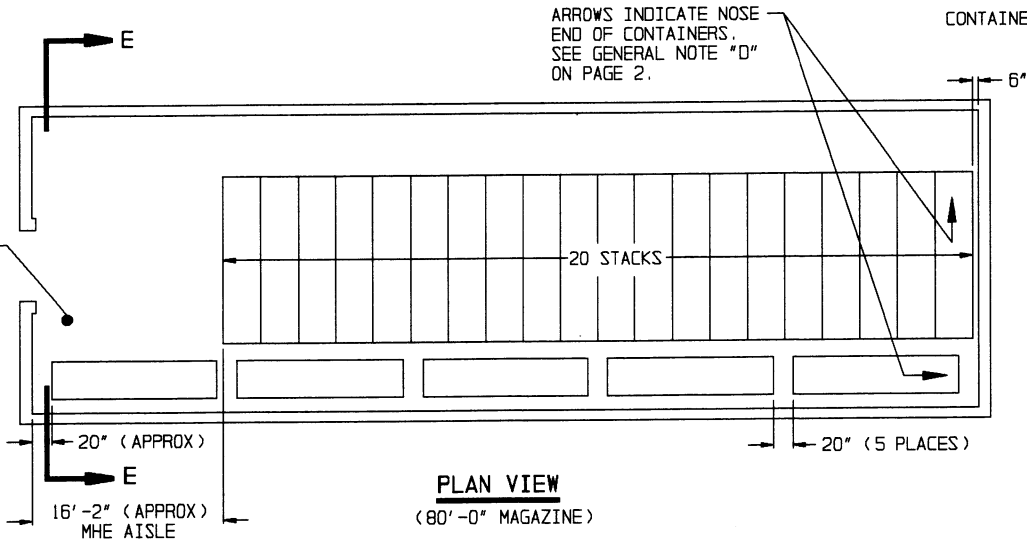
LUMBER	LINEAR FEET	BOARD FEET
2" X 6"	13	13

STORAGE IN 80'-0" MAGAZINE
(10'-0" HIGH)

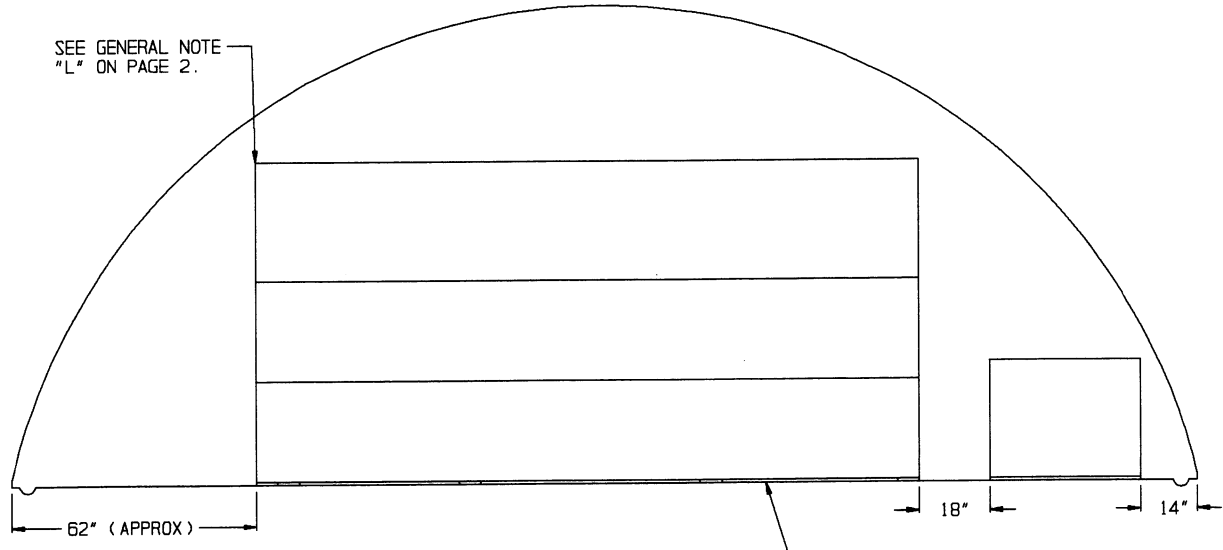
ITEM	QUANTITY
CONTAINER - - - - -	65

ARROWS INDICATE NOSE
END OF CONTAINERS.
SEE GENERAL NOTE "D"
ON PAGE 2.

SEE GENERAL
NOTE "K" ON
PAGE 2.



SEE GENERAL NOTE
"L" ON PAGE 2.



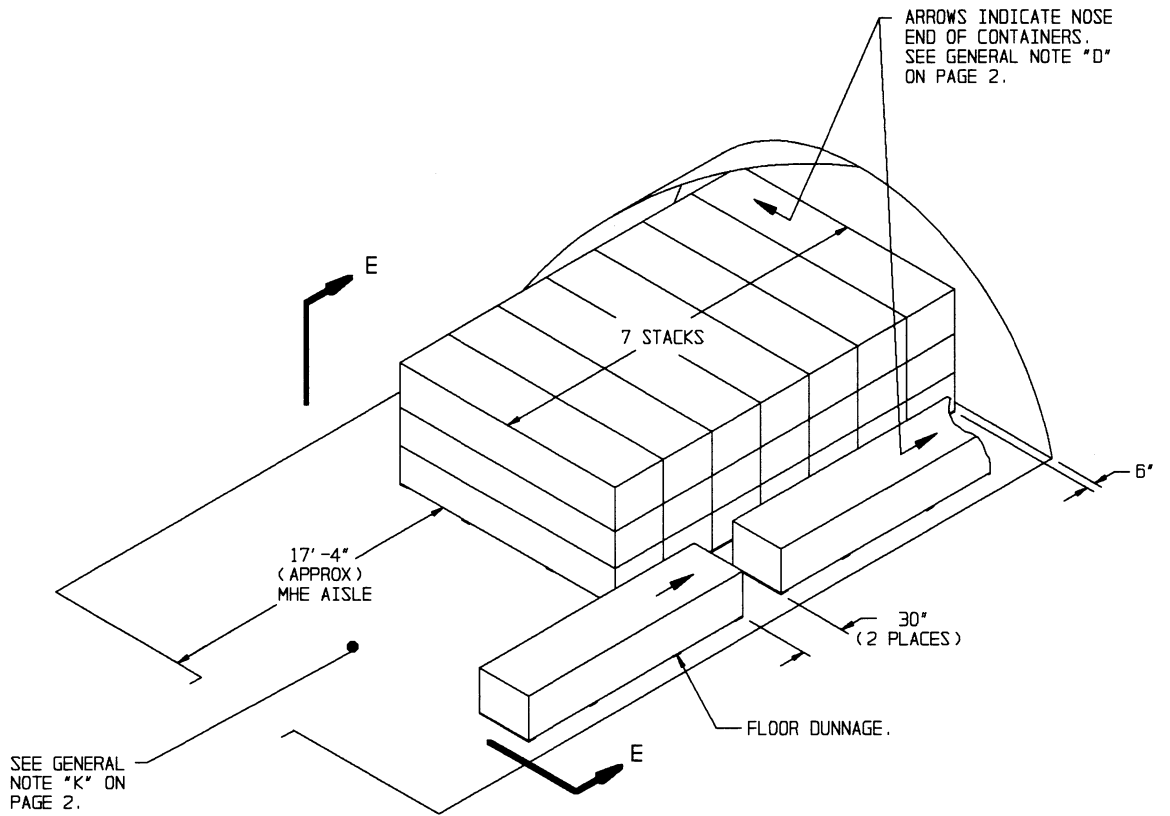
FLOOE DUNNAGE, 2" X 6" X 38"
(4 REOD PER FIRST LAYER CON-
TAINER). SEE GENERAL NOTE
"J" ON PAGE 2.

STORAGE IN 40'-0" MAGAZINE

(10'-0" HIGH)

ITEM QUANTITY

CONTAINER - - - - - 23



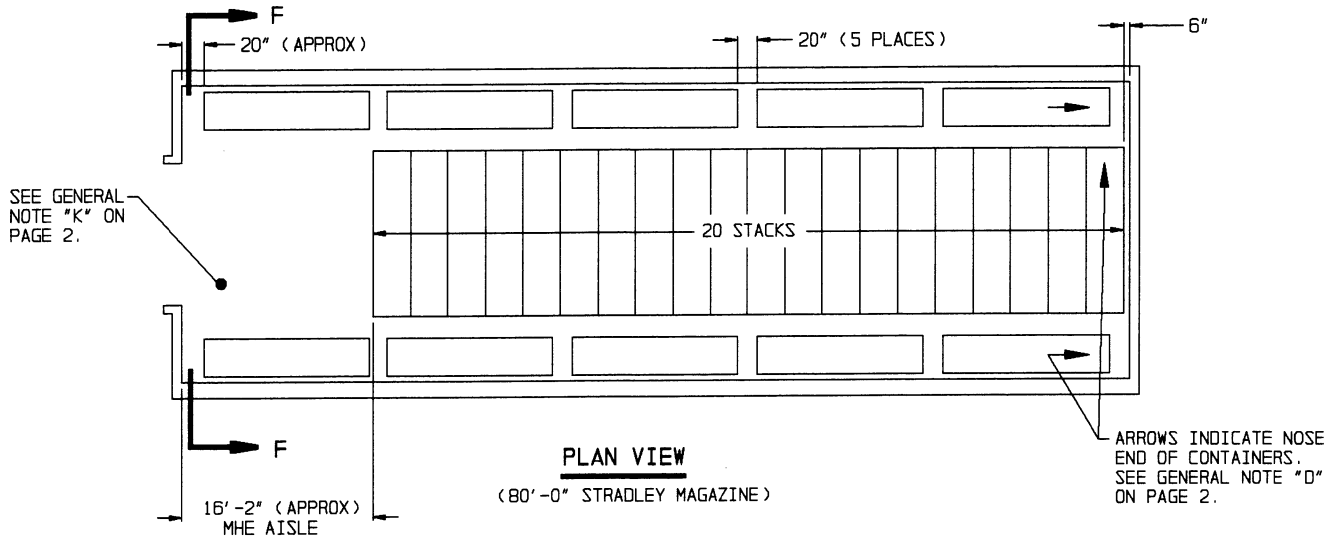
ISOMETRIC VIEW

(40'-0" MAGAZINE)

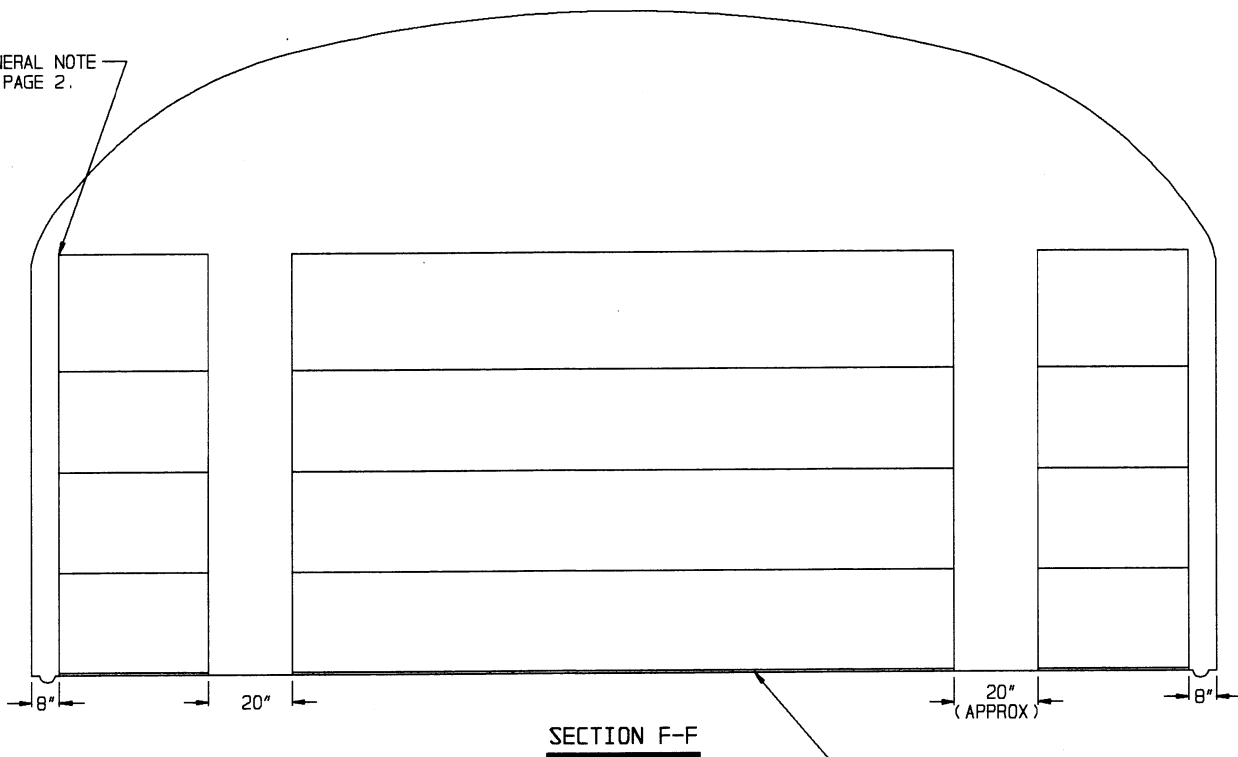
FOR "GENERAL NOTES" AND "MATERIAL SPECIFICATIONS", SEE PAGE 2.

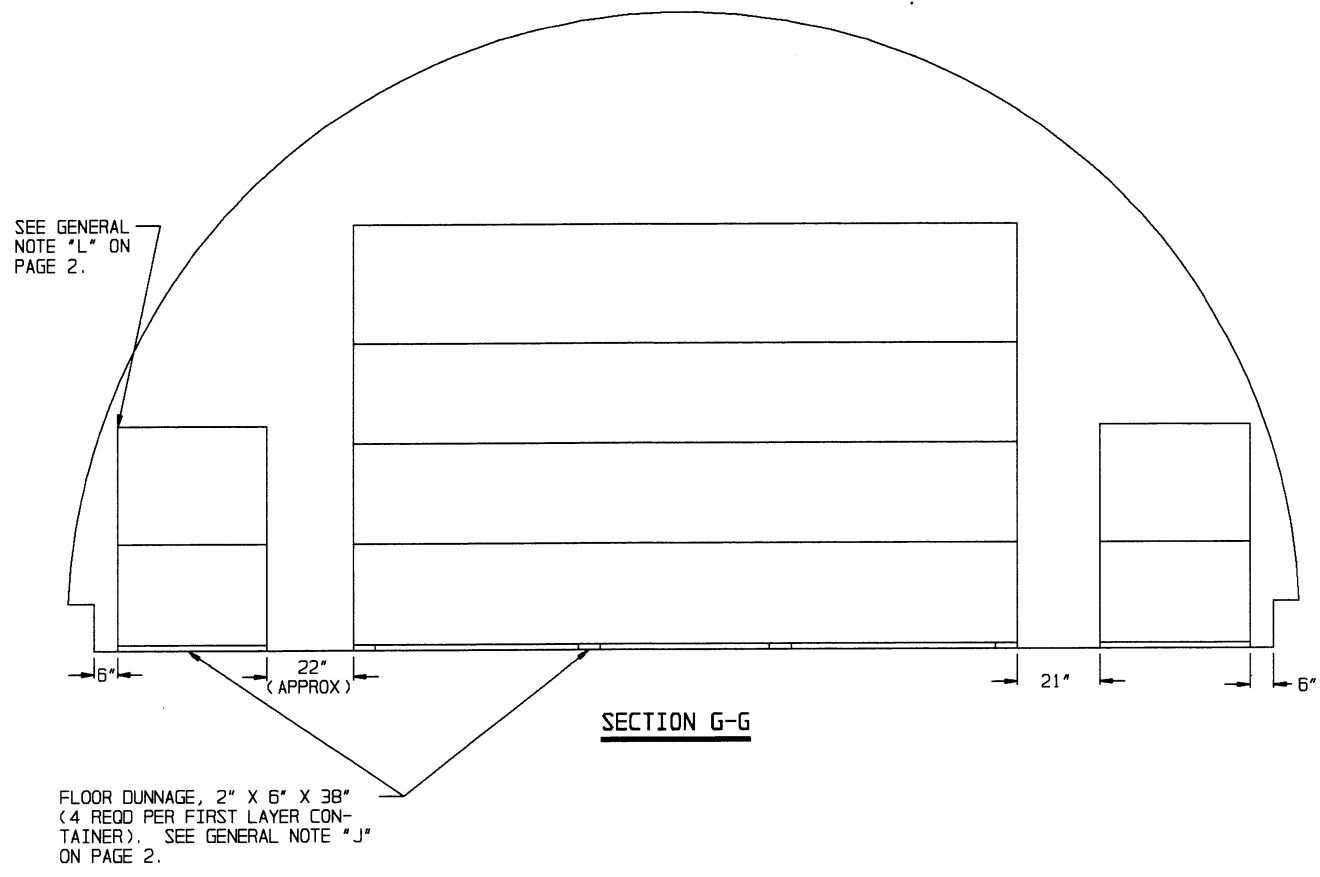
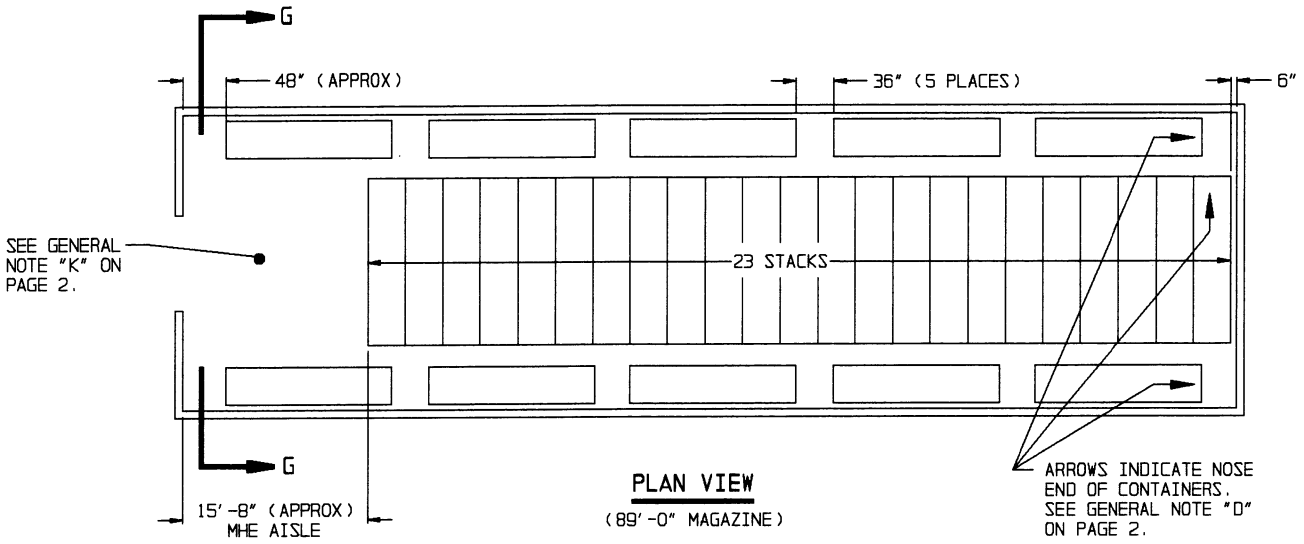
BILL OF MATERIAL (PER FIRST LAYER CONTAINER)

LUMBER	LINEAR FEET	BOARD FEET
2" X 6"	13	13



SEE GENERAL NOTE "L" ON PAGE 2.

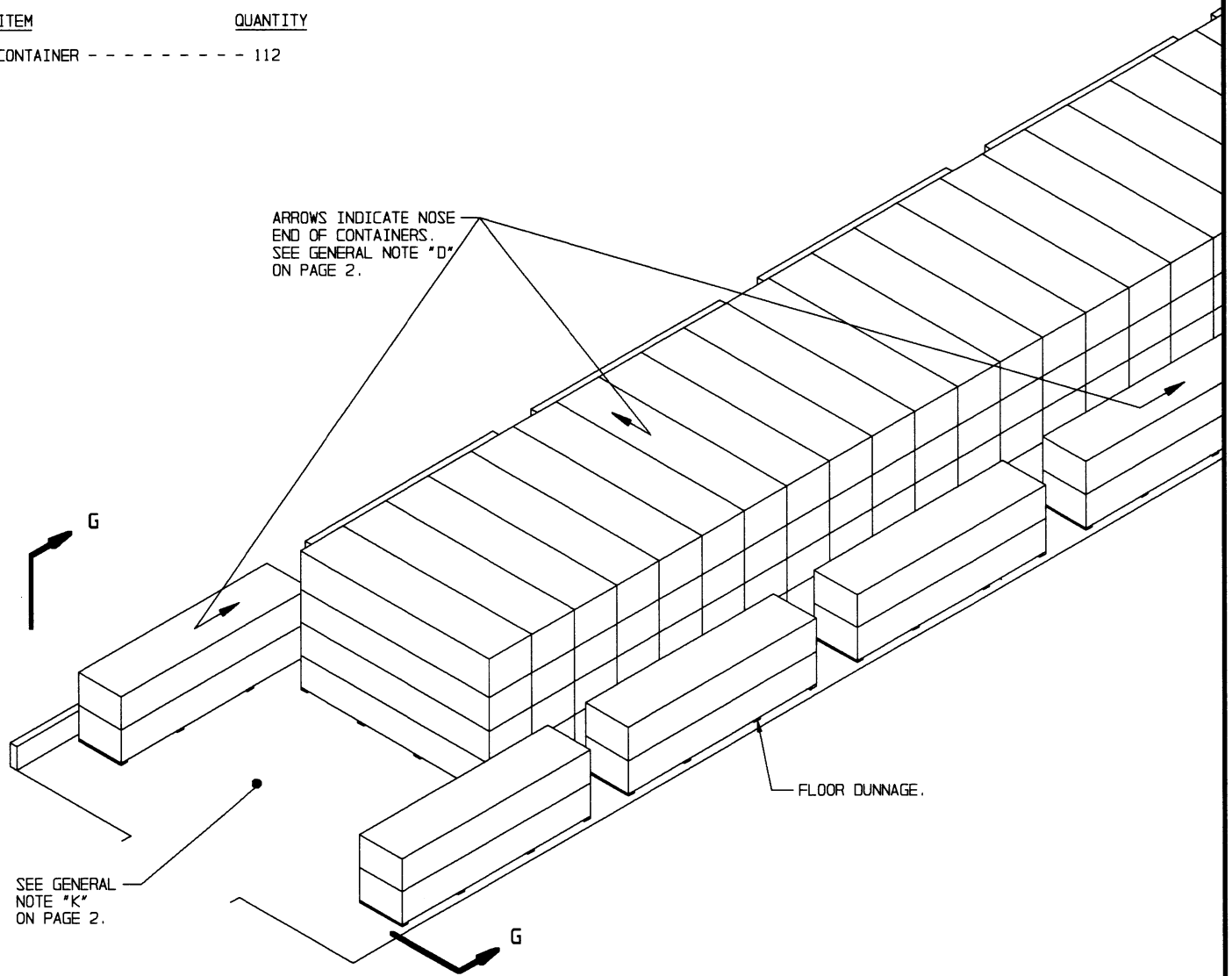




STORAGE IN 89'-0" MAGAZINE

(13'-6" HIGH)

ITEM	QUANTITY
CONTAINER - - - - -	112



ISOMETRIC VIEW
(89'-0" MAGAZINE)

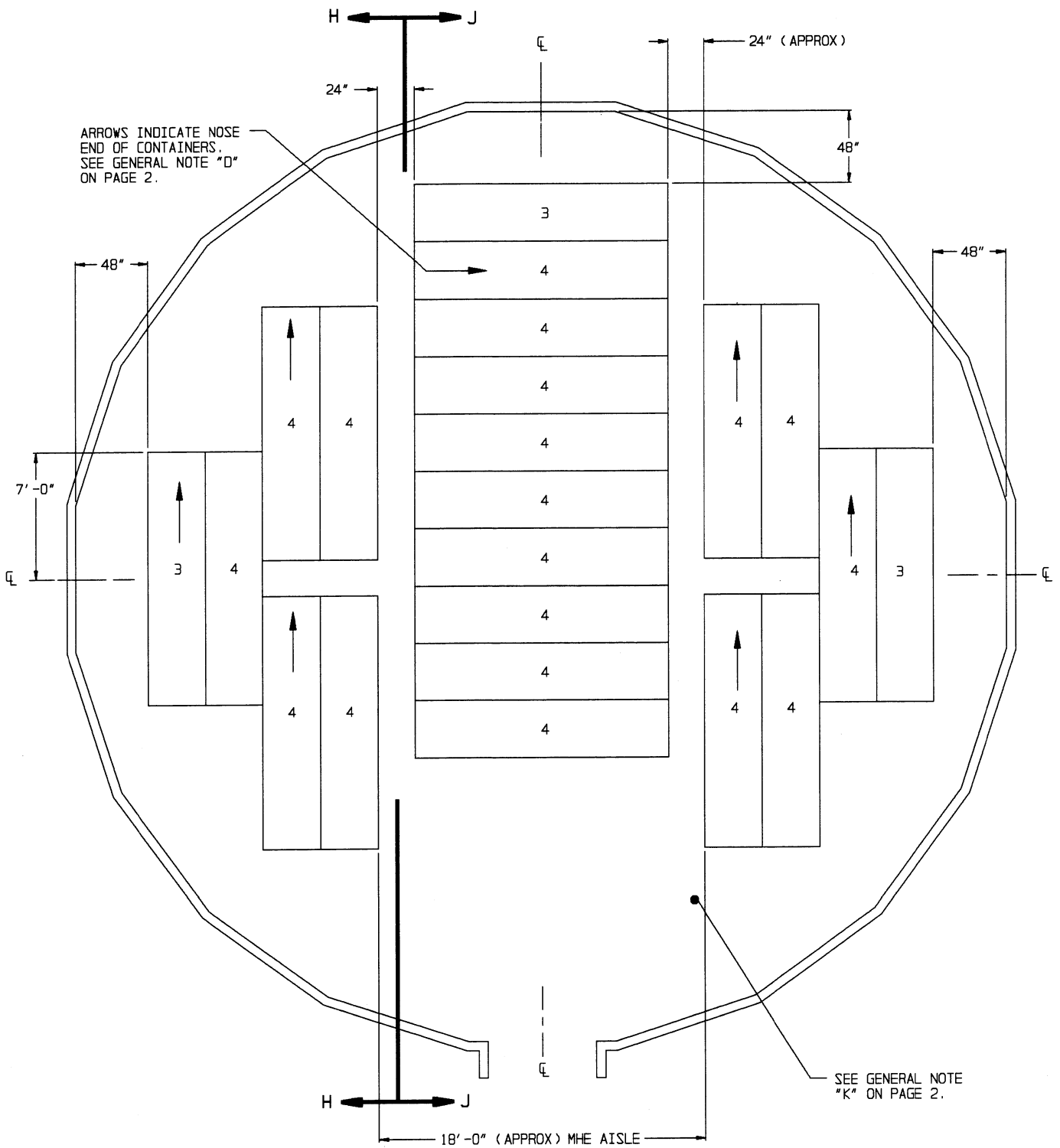
FOR "GENERAL NOTES" AND "MATERIAL SPECIFICATIONS", SEE PAGE 2.

BILL OF MATERIAL (PER FIRST LAYER CONTAINER)		
LUMBER	LINEAR FEET	BOARD FEET
2" X 6"	13	13

STORAGE IN 52'-0" DIA MAGAZINE

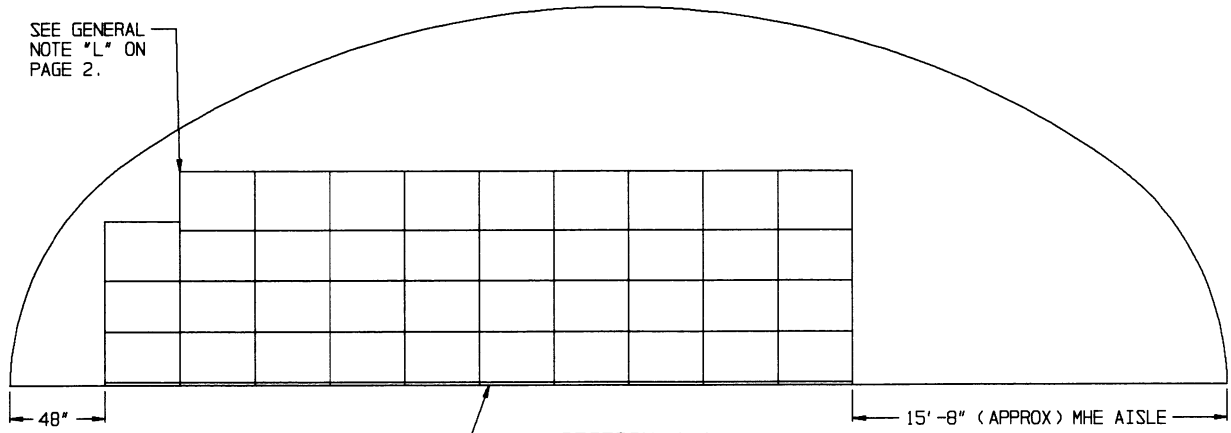
ITEM QUANTITY

CONTAINER - - - - - 85



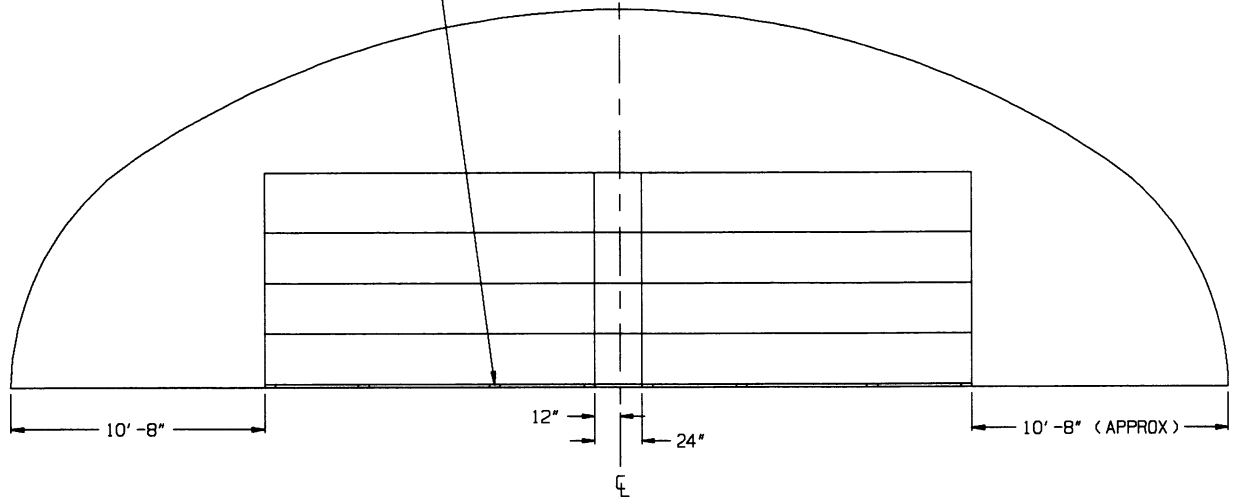
PLAN VIEW
(52'-0" DIA MAGAZINE)

SEE GENERAL
NOTE "L" ON
PAGE 2.



SECTION J-J

FLOOR DUNNAGE, 2" X 6" X 38"
(4 REOWD PER FIRST LAYER CON
TAINER). SEE GENERAL NOTE
"J" ON PAGE 2.



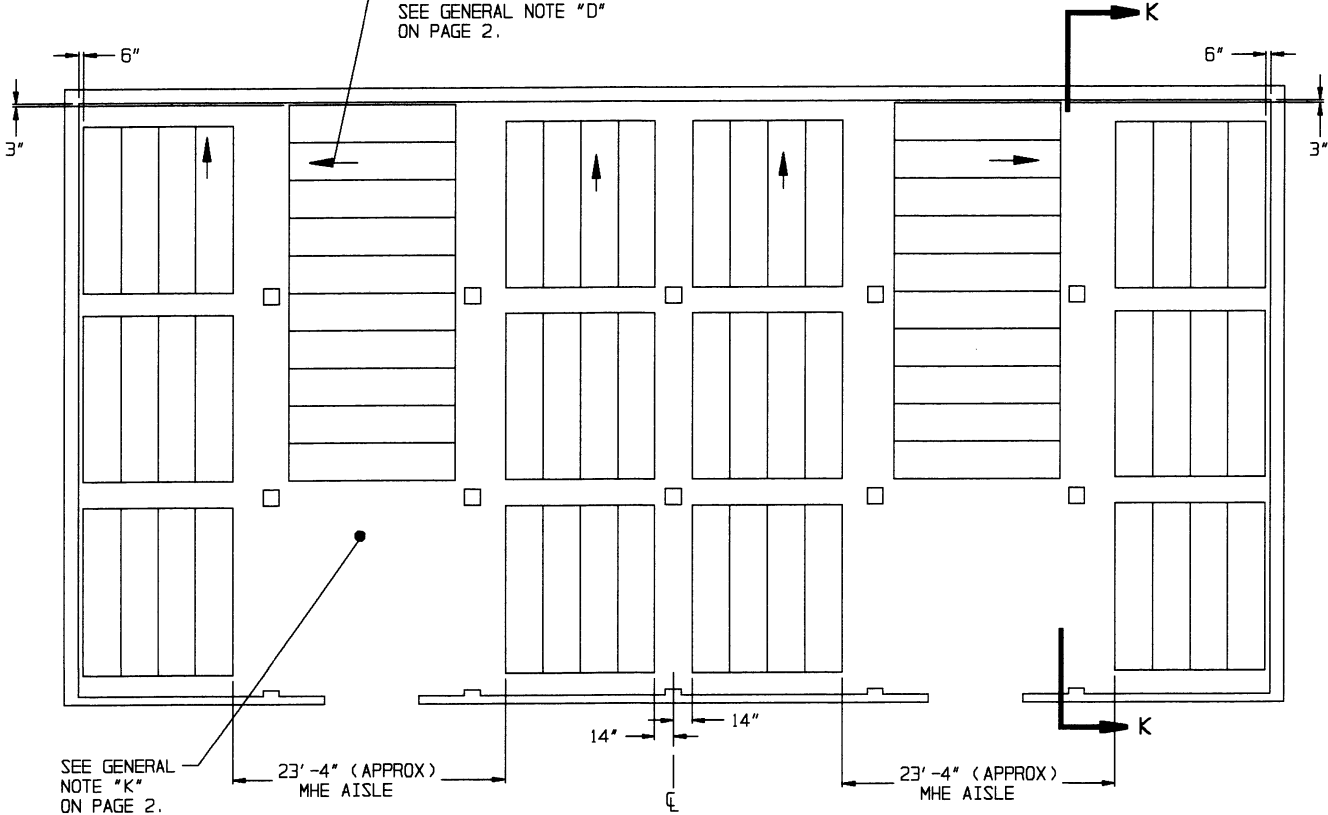
SECTION H-H

FOR "GENERAL NOTES" AND "MATERIAL
SPECIFICATIONS", SEE PAGE 2.

BILL OF MATERIAL (PER FIRST LAYER CONTAINER)

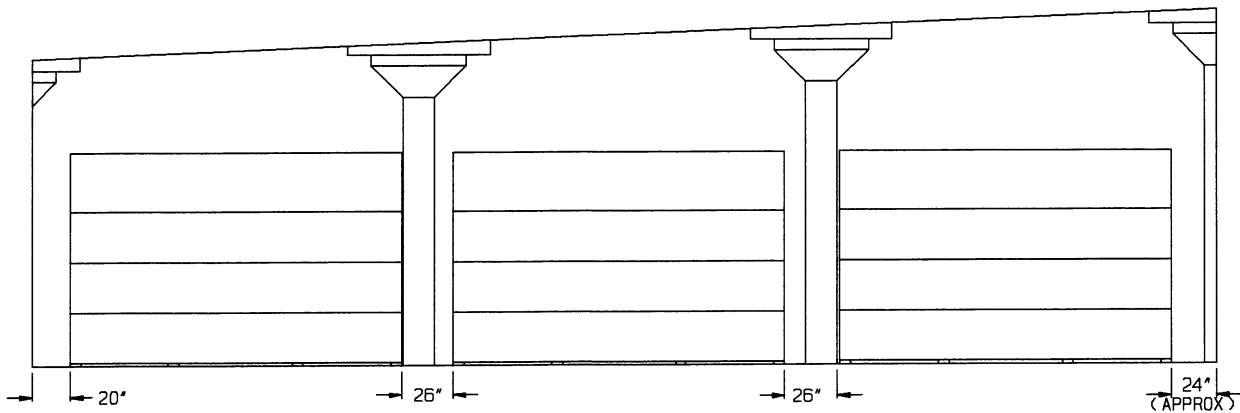
LUMBER	LINEAR FEET	BOARD FEET
2" X 6"	13	13

ARROWS INDICATE NOSE
END OF CONTAINERS.
SEE GENERAL NOTE "D"
ON PAGE 2.



PLAN VIEW

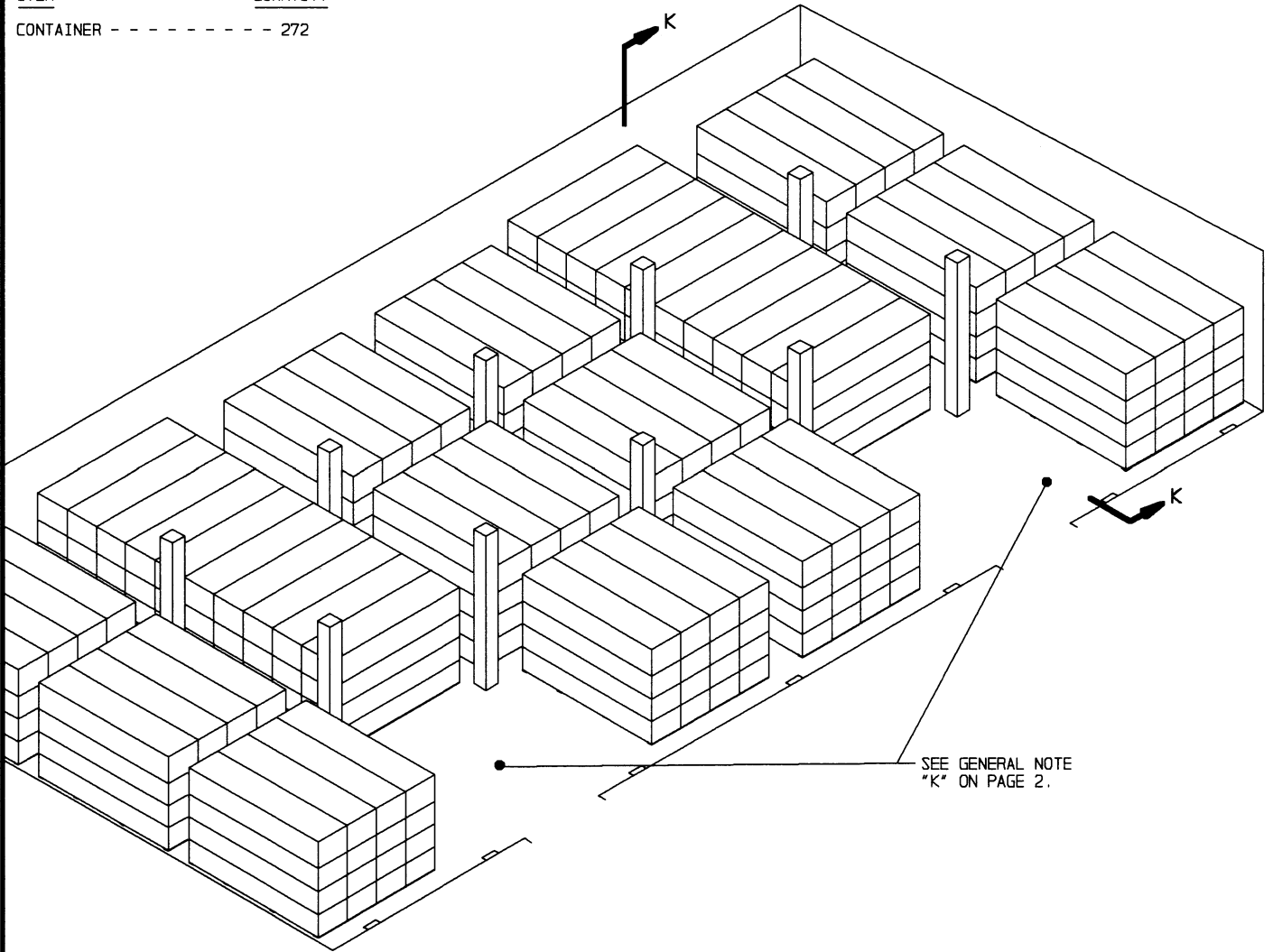
(100' -8" X 50' -0" MAGAZINE)



SECTION K-K

**STORAGE IN 100'-8" X 50'-0"
RECTANGULAR MAGAZINE**

<u>ITEM</u>	<u>QUANTITY</u>
CONTAINER - - - - -	272



ISOMETRIC VIEW
(100'-8" X 50'-0" MAGAZINE)

FOR "GENERAL NOTES" AND "MATERIAL SPECIFICATIONS", SEE PAGE 2.

BILL OF MATERIAL (PER FIRST LAYER CONTAINER)

LUMBER	LINEAR FEET	BOARD FEET
2" X 6"	13	13

