

APPROVED BY
BUREAU OF EXPLOSIVES

DATE

5/13/94

LOADING AND BRACING[⊕] IN MILVAN CONTAINERS[⊕] OF CBU-87/B AND CBU-89/B CLUSTER BOMBS PACKED IN CNU-411/E SHIPPING AND STORAGE CONTAINERS

INDEX

ITEM	PAGE(S)
TYPICAL LOADING PROCEDURES - - - - -	2
GENERAL NOTES AND MATERIAL SPECIFICATIONS - - - - -	3
CNU-411/E CONTAINER DETAIL - - - - -	4
DETAILS - - - - -	4, 5
LESS-THAN-FULL-LOAD DETAILS - - - - -	6

● LOADING AND BRACING SPECIFICATIONS SET FORTH WITHIN THIS DRAWING ARE APPLICABLE TO LOADS THAT ARE TO BE SHIPPED BY TRAILER/CONTAINER-ON-FLATCAR (T/COFC) RAIL CARRIER SERVICE. THESE SPECIFICATIONS MAY ALSO BE USED FOR LOADS THAT ARE TO BE MOVED BY MOTOR OR WATER CARRIERS.

⊕ ONLY MILVAN CONTAINERS WHICH HAVE BEEN MODIFIED TO INCLUDE A MECHANICAL LOAD-BRACING SYSTEM THAT SATISFIES THE REQUIREMENTS OF THE BUREAU OF EXPLOSIVES PAMPHLET 6C WILL BE USED FOR THE MOVEMENT OF AMMUNITION BY T/COFC SERVICE.
CAUTION: OTHER REQUIREMENTS OF PAMPHLET 6C ALSO APPLY.

U.S. ARMY MATERIEL COMMAND DRAWING

APPROVED, U.S. ARMY ARMAMENT, MUNITIONS AND
CHEMICAL COMMAND

David E. Heesler

APPROVED BY ORDER OF COMMANDING GENERAL, U.S.
ARMY MATERIEL COMMAND

John L. Byrd Jr.

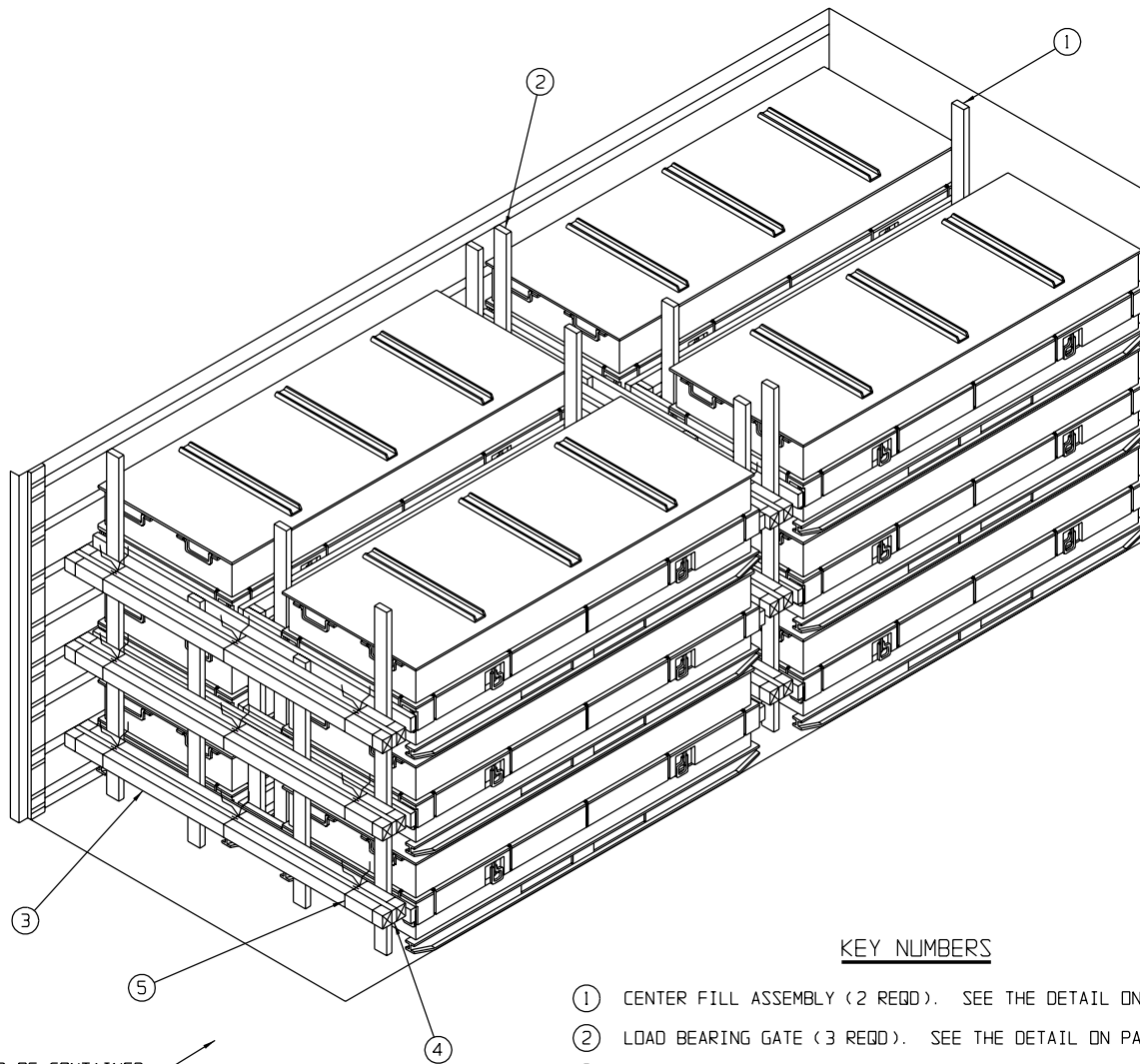
U.S. ARMY DEFENSE AMMUNITION CENTER AND SCHOOL

DRAFTSMAN	TECHNICIAN	ENGINEER
		L. FIEFFER
VALIDATION ENGINEERING DIVISION	TRANSPORTATION ENGINEERING DIVISION	LOGISTICS ENGINEERING OFFICE
	<i>John W. Friedrich</i>	<i>W. F. Ernst</i>

MAY 1994

CLASS	DIVISION	DRAWING	FILE
19	48	8553	SP15J48

DO NOT SCALE



REAR OF CONTAINER.

ISOMETRIC VIEW

KEY NUMBERS

- ① CENTER FILL ASSEMBLY (2 REQD). SEE THE DETAIL ON PAGE 5.
- ② LOAD BEARING GATE (3 REQD). SEE THE DETAIL ON PAGE 5.
- ③ CROSS MEMBER (12 REQD). POSITION AS SHOWN IN THE DETAIL ABOVE, AT THE 16", 38", AND 60" HEIGHTS.
- ④ FILL MATERIAL, 1-3/8" (ACTUAL) X 4" BY INSIDE CONTAINER WIDTH MINUS 1" (REF: 7'-7") (6 REQD). SEE THE "FILL MATERIAL INSTALLATION" DETAIL ON PAGE 4.
- ⑤ TIE WIRE, NO. 14 GAGE WIRE 24" LONG (18 REQD). SEE THE "FILL MATERIAL INSTALLATION" DETAIL ON PAGE 4.

LOAD AS SHOWN

ITEM	QUANTITY	WEIGHT (APPROX)
CBU-87/B	12	28,440 LBS
DUNNAGE		464 LBS
CONTAINER		5,700 LBS
TOTAL WEIGHT		34,604 LBS (APPROX)

LOAD AS SHOWN

ITEM	QUANTITY	WEIGHT (APPROX)
CBU-89/B	12	23,160 LBS
DUNNAGE		464 LBS
CONTAINER		5,700 LBS
TOTAL WEIGHT		29,324 LBS (APPROX)

<u>BILL OF MATERIAL</u>		
LUMBER	LINEAR FEET	BOARD FEET
1-3/8" * X 4" 2" X 4"	46 298	31 199
NAILS	NO. REQD	POUNDS
10d (3")	186	3
WIRE, NO. 14 GAUGE	36' REQD	0.60 LBS
CROSS MEMBER		12 REQD

*THE 1-3/8" DIMENSION IS AN ACTUAL, NOT NOMINAL DIMENSION. SEE GENERAL NOTE "P" ON PAGE 3.

K. MAXIMUM LOAD WEIGHT CRITERIA:

THE MAXIMUM LOAD WEIGHTS ARE CONTROLLED BY EQUIPMENT CAPABILITY FACTORS. ALTHOUGH THE HEAVIEST MAXIMUM LOAD IS DELINEATED IN THE LOAD VIEW, PROVISIONS ARE INCLUDED WITHIN THIS DRAWING SO THAT THE BASIC LOAD CAN BE ADJUSTED TO SATISFY A LESSER QUANTITY OF LADING UNITS. DEPENDING ON TRANSPORTATION ROUTING, IT MAY BE NECESSARY TO REDUCE THE LOAD WEIGHT TO SATISFY "WEIGHT LAWS" OF CERTAIN STATES. ALSO, IT MAY BE NECESSARY TO REDUCE THE LOAD WEIGHT TO SATISFY OTHER WEIGHT RESTRICTIONS IMPOSED ON THE INTERMODAL CONTAINER SYSTEM.

L. SPECIAL T/COFC NOTES:

- 1. CAUTION: LOADED CONTAINERS MUST BE ON CHASSIS EQUIPPED WITH TWO BOGIE ASSEMBLIES WHEN BEING MOVED IN TOFC SERVICE, REGARDLESS OF THE LOAD WEIGHT WITHIN THE CONTAINER.
- 2. LOAD LIMITS OF T/COFC RAIL CARS MUST NOT BE EXCEEDED, NOR WILL A CAR BE LOADED SO THAT THE TRUCK UNDER ONE END OF THE CAR CARRIES MORE THAN ONE-HALF OF THE LOAD LIMIT FOR THAT CAR.
- 3. CHASSIS/CONTAINERS COUPLED INTO A 40-FOOT TRAILER CONFIGURATION MUST BE PLACED AT THE B-END OF A TOFC RAIL CAR. THE REAR END OF THE 40-FOOT UNIT WILL OVERHANG THE END OF THE CAR IF IT IS PLACED AT THE A-END. TWENTY-FOOT AND 40-FOOT UNITS CAN BE LOADED ON THE SAME CAR.

M. WHEN LOADING CONTAINERS, THEY ARE TO BE POSITIONED SO AS TO ACHIEVE A TIGHT LOAD (TIGHT AGAINST THE DUNNAGE ASSEMBLIES). THE UNBLOCKED SPACE ACROSS THE WIDTH OF A LOAD BAY IS NOT TO EXCEED 1-1/2". EXCESSIVE SLACK CAN BE ELIMINATED BY LAMINATING ADDITIONAL PIECES OF APPROPRIATE THICKNESS TO THE LONGITUDINAL PIECES ON THE CENTER FILL ASSEMBLIES. NAIL EACH ADDITIONAL PIECE TO THE LONGITUDINAL PIECE W/1 APPROPRIATELY SIZED NAIL EVERY 12". ADDITIONALLY, THE LENGTH OF THE LATERAL PIECES IN THE CENTER FILL ASSEMBLY MAY BE ADJUSTED, AS NECESSARY, TO FACILITATE VARIANCE IN THE CONTAINER SIZE.

N. THE QUANTITY OF CONTAINERS SHOWN IN THE LOAD ON PAGE 2 MAY BE REDUCED FOR SHIPMENT, IF DESIRED. SEE THE "LESS-THAN-FULL-LOAD" DETAIL ON PAGE 6. WHEN A MILVAN IS TO BE LOADED WITH A REDUCED QUANTITY OF LADING UNITS, THE LENGTHWISE CENTER OF GRAVITY OF THE LOAD MUST BE WITHIN 12", IN EITHER DIRECTION, OF THE MID-POINT OF THE MILVAN.

O. ANTI-CHAFING MATERIAL MAY BE INSTALLED AT POINTS OF CONTACT BETWEEN CONTAINERS AND THE MILVAN, AND BETWEEN CONTAINERS AND STEEL STRAPPING, IF DESIRED, TO PREVENT CHAFING DAMAGE TO CONTAINER PAINT AND MARKINGS.

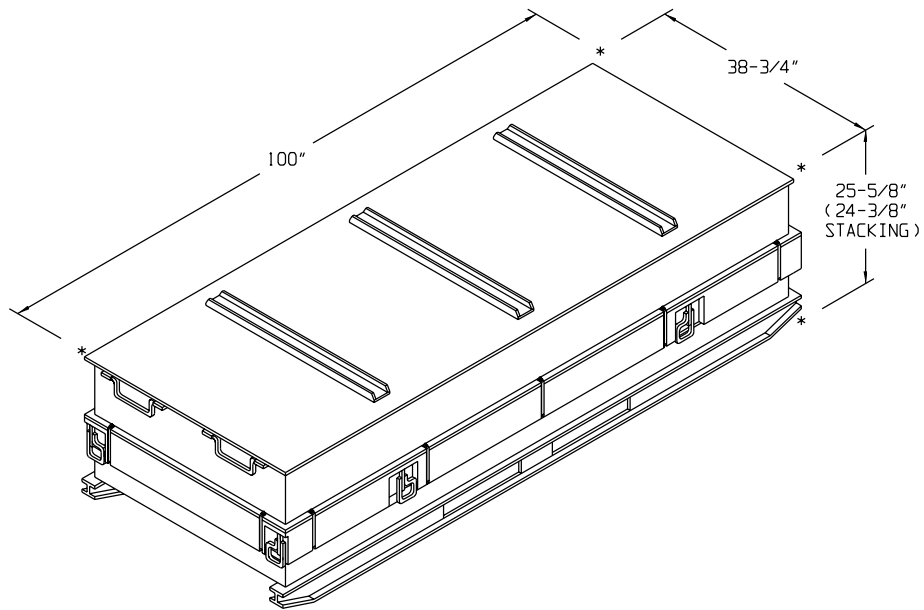
P. IF 1-3/8" THICK DIMENSIONAL LUMBER IS NOT AVAILABLE FOR THE SPECIFIED FILL MATERIAL, PIECES CAN BE MADE BY PLANING NOMINAL 2" X 4" MATERIAL TO THE PROPER THICKNESS. ALSO, STRIPS OF PLYWOOD CAN BE USED AS FILL MATERIAL. USE PLYWOOD OF DIFFERENT THICKNESS TO ACHIEVE THE SPECIFIED 1-3/8".

- A. THIS DOCUMENT HAS BEEN PREPARED AND ISSUED IN ACCORDANCE WITH AR 740-1 AND AUGMENTS TM 743-200-1 (CHAPTER 5).
- B. THE OUTLOADING PROCEDURES SPECIFIED HEREIN ARE APPLICABLE TO LOADS OF CBU-87/B OR CBU-89/B CLUSTER BOMBS PACKED IN CNU-411/E CONTAINERS. SUBSEQUENT REFERENCE TO CONTAINER HEREIN MEANS THE CONTAINER WITH CBU ITEMS INSTALLED. SEE PAGE 4 FOR DETAILS OF THE CONTAINER. CAUTION: REGARDLESS OF THE QUANTITY OF UNITS TO BE SHIPPED, THE "MAXIMUM GROSS WEIGHT" OF THE MILVAN MUST NOT BE EXCEEDED.
- C. THE LOADS AS SHOWN ARE BASED ON A 20' LONG BY 8' WIDE BY 8' HIGH MILVAN CONTAINER WITH INSIDE DIMENSIONS OF 19'-4" LONG BY 92" WIDE BY 87" HIGH. THE LOADS ARE DESIGNED FOR TRAILER/CONTAINER-ON-FLATCAR (T/COFC) SHIPMENT.
- D. THE SPECIFIED OUTLOADING PROCEDURES ARE FOR CONTAINERS EQUIPPED WITH SELF-CONTAINED MECHANICAL BRACING DEVICES AS DESCRIBED WITHIN BUREAU OF EXPLOSIVES PAMPHLET 6C. CROSS MEMBER ATTACHMENT FACILITIES WITHIN THESE CONTAINERS MUST PROVIDE FOR THE INSTALLATION OF LOAD BLOCKING CROSS MEMBERS AT THE HEIGHTS SPECIFIED. THE WEIGHT DIMENSIONS SPECIFIED WITHIN THIS DRAWING FOR THE INSTALLATION OF CROSS MEMBERS CONFORM WITH THE BUREAU OF EXPLOSIVES PAMPHLET 6C, WITH THE EXCEPTION THAT TWO ADDITIONAL BELT RAILS HAVE BEEN SHOWN: ONE AT 72" AND ONE AT 83" HIGH FROM THE CONTAINER FLOOR. VOIDS LENGTHWISE WITHIN THE LOAD MUST BE HELD TO A MINIMUM. CROSS MEMBERS MUST BE PLACED AGAINST THE LADING AS TIGHTLY AS THE HOLE SPACING IN THE CROSS MEMBER ATTACHMENT FACILITY PERMITS. EACH CROSS MEMBER WILL BE INSTALLED WITH THE ENDS ATTACHED AS NEARLY AS POSSIBLE IN "MATED" POSITIONS (AT EQUAL HEIGHT AND AT EQUAL DISTANCES FROM THE END OF THE CONTAINER). CROSS MEMBERS IN EMPTY CONTAINERS AND THOSE NOT USED IN LOADED CONTAINERS MUST BE FASTENED INTO BELT RAILS FOR SHIPMENT. COMPONENTS ASSIGNED TO EACH CONTAINER MUST REMAIN THEREWITH EVEN THOUGH UNUSED DURING SOME SHIPMENTS. SEE THE "FILL DETAIL" ON PAGE 6 FOR THE DUNNAGING METHOD REQUIRED TO ELIMINATE AN EXCESSIVE LENGTHWISE VOID WITHIN A LOAD. THE LOAD BLOCKING COMPONENT DESIGNATED AS "CROSS MEMBER" HEREIN, IS IDENTIFIED AS "BEAM ASSEMBLY" WITHIN TM 55-8115-200-23 & P, DATED DECEMBER 1979. THE BEAM ASSEMBLY IS FURTHER IDENTIFIED AS NSN 8115-00-165-6623.
- E. DUNNAGE LUMBER SPECIFIED IS OF A NOMINAL SIZE. FOR EXAMPLE, 1" X 4" MATERIAL IS ACTUALLY 3/4" THICK BY 3-1/2" WIDE AND 2" X 6" MATERIAL IS ACTUALLY 1-1/2" THICK BY 5-1/2" WIDE.
- F. CAUTION: DO NOT NAIL DUNNAGE MATERIAL TO THE MILVAN WALLS OR FLOOR. ALL NAILING WILL BE WITHIN THE DUNNAGE.
- G. A STAGGERED NAILING PATTERN WILL BE USED WHENEVER POSSIBLE WHEN NAILS ARE DRIVEN INTO JOINTS OF DUNNAGE ASSEMBLIES OR WHEN LAMINATING DUNNAGE. ADDITIONALLY, THE NAILING PATTERN FOR AN UPPER PIECE OF LAMINATED DUNNAGE WILL BE ADJUSTED AS REQUIRED SO THAT A NAIL FOR THAT PIECE WILL NOT BE DRIVEN THROUGH ONTO OR RIGHT BESIDE A NAIL IN A LOWER PIECE.
- H. PORTIONS OF THE MILVAN DEPICTED WITHIN THIS DRAWING, SUCH AS ONE OF THE SIDEWALLS, HAVE NOT BEEN SHOWN IN THE LOAD VIEWS FOR CLARITY PURPOSES.
- J. CONVERSION TO METRIC EQUIVALENTS: DIMENSIONS WITHIN THIS DOCUMENT ARE EXPRESSED IN INCHES, AND WEIGHTS ARE EXPRESSED IN POUNDS. WHEN NECESSARY, THE METRIC EQUIVALENTS MAY BE COMPUTED ON THE BASIS OF ONE INCH EQUALS 25.4 MM AND ONE POUND EQUALS 0.454 KG.

(CONTINUED AT RIGHT)

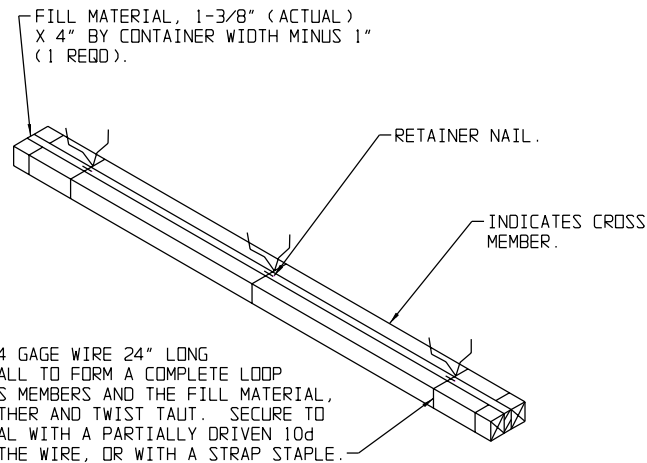
MATERIAL SPECIFICATIONS

- LUMBER - - - - - : SEE TM 743-200-1 (DUNNAGE LUMBER) AND FED SPEC MM-L-751.
- NAILS - - - - - : FED SPEC FF-N-105; COMMON.
- STRAPPING, STEEL - - : ASTM D3953; FLAT STRAPPING, TYPE I, HEAVY DUTY, FINISH A, B (GRADE 2), OR C.
- SEAL, STRAP - - - - : ASTM D3953; CLASS H, FINISH A, B (GRADE 2), OR C, DOUBLE NOTCH TYPE, STYLE I, II, OR IV.
- ANTI-CHAFING MATERIAL - - - - - : MIL-B-121 (OR EQUAL); NEUTRAL BARRIER MATERIAL.



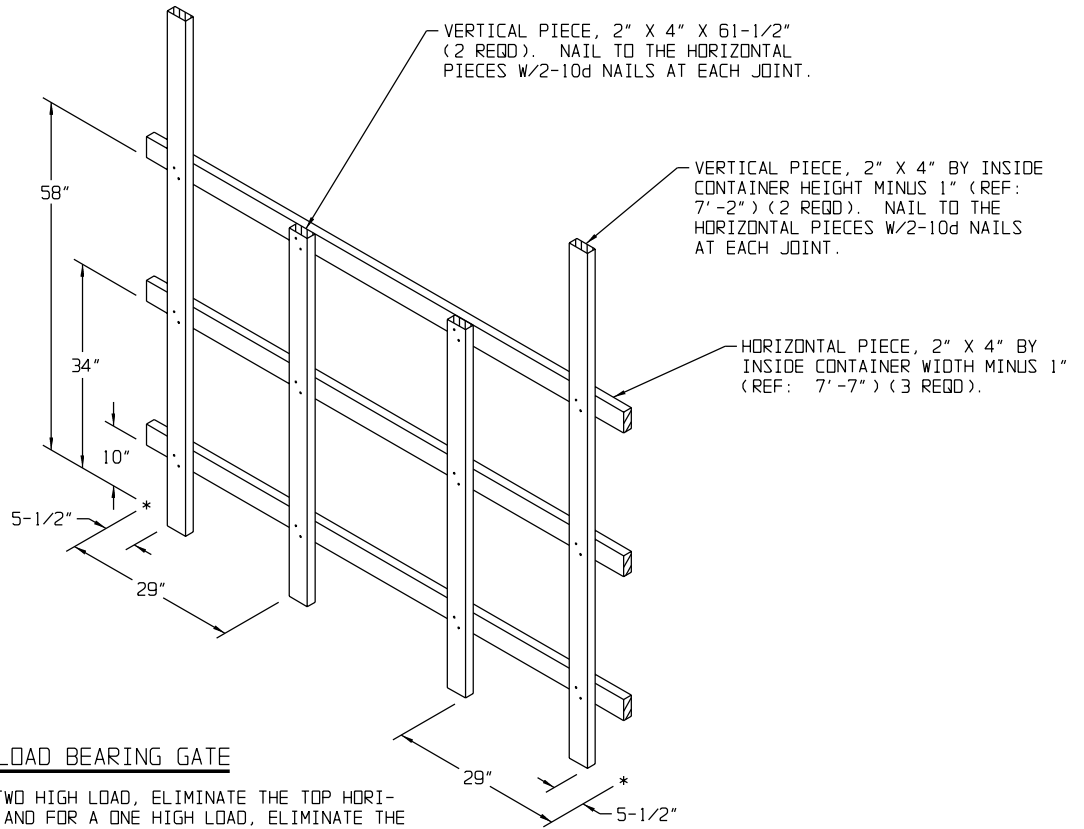
CNU-411/E CONTAINER

GROSS WEIGHT (CBU-87/B) - - - - - 2,370 LBS (APPROX)
 GROSS WEIGHT (CBU-89/B) - - - - - 1,930 LBS (APPROX)
 CUBE - - - - - 57.5 CUBIC FEET (APPROX)



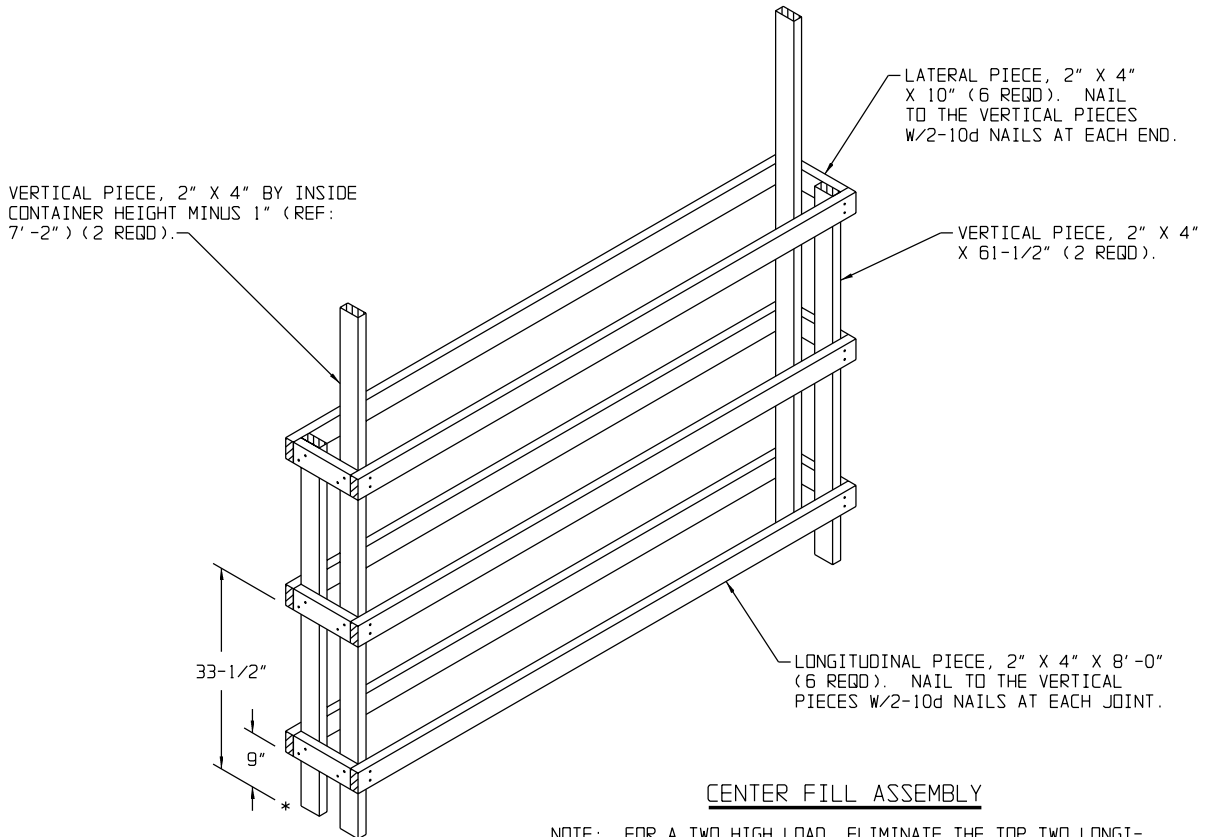
FILL MATERIAL INSTALLATION

SEE GENERAL NOTE "P" ON PAGE 3.



LOAD BEARING GATE

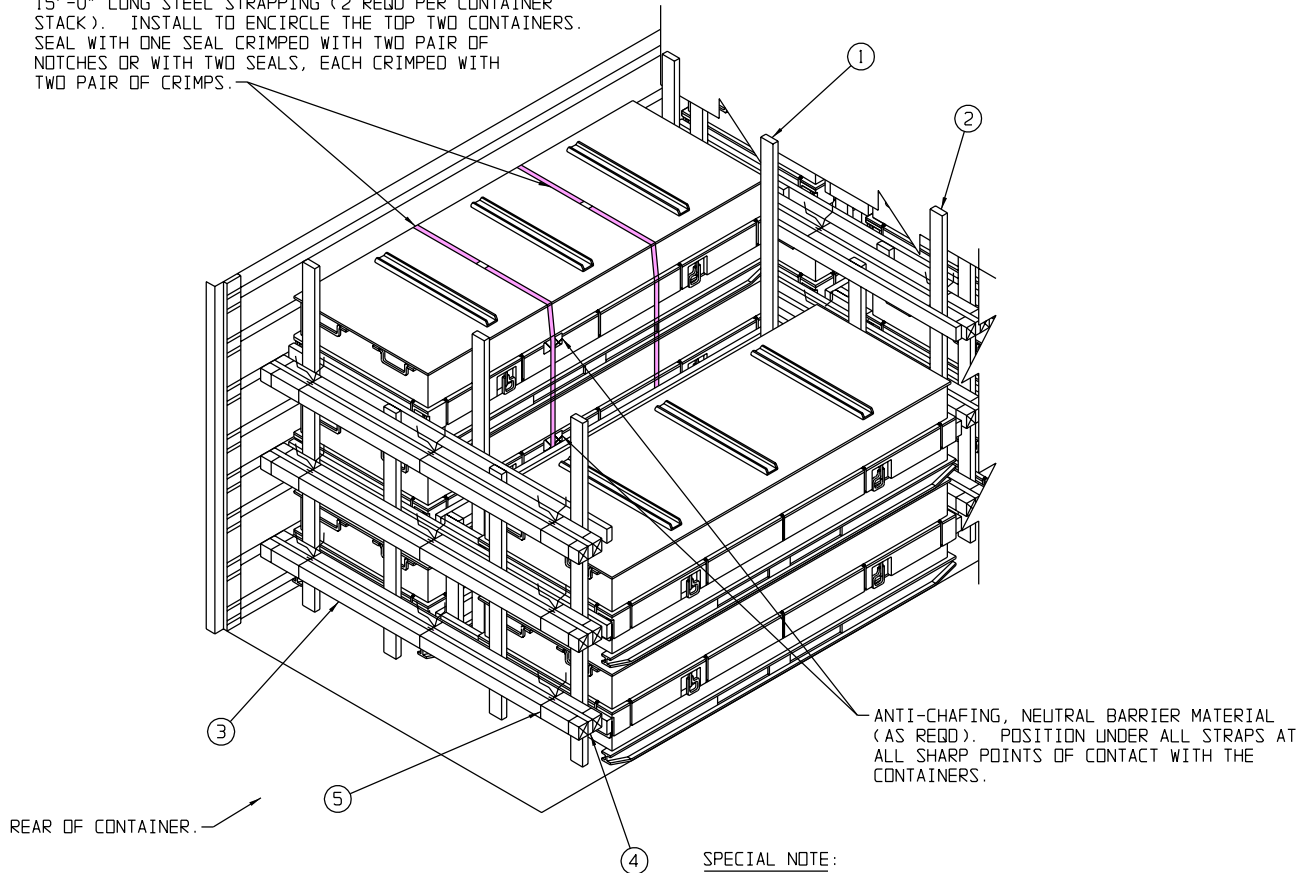
NOTE: FOR A TWO HIGH LOAD, ELIMINATE THE TOP HORIZONTAL PIECE, AND FOR A ONE HIGH LOAD, ELIMINATE THE TOP TWO HORIZONTAL PIECES. SHORTEN THE 61-1/2" VERTICAL PIECES APPROPRIATELY.



CENTER FILL ASSEMBLY

NOTE: FOR A TWO HIGH LOAD, ELIMINATE THE TOP TWO LONGITUDINAL PIECES AND THE TOP TWO LATERAL PIECES, AND FOR A ONE HIGH LOAD, ELIMINATE THE TOP FOUR LONGITUDINAL PIECES AND THE TOP FOUR LATERAL PIECES. SHORTEN THE 61-1/2" VERTICAL PIECES APPROPRIATELY. THE LENGTH OF THE LATERAL PIECES IS DEPENDENT ON THE VOID AT THE CENTER OF THE LOAD.

UNITIZING STRAP, 1-1/4" X .035" OR .031" X 15'-0" LONG STEEL STRAPPING (2 REQD PER CONTAINER STACK). INSTALL TO ENCIRCLE THE TOP TWO CONTAINERS. SEAL WITH ONE SEAL CRIMPED WITH TWO PAIR OF NOTCHES OR WITH TWO SEALS, EACH CRIMPED WITH TWO PAIR OF CRIMPS.



ISOMETRIC VIEW

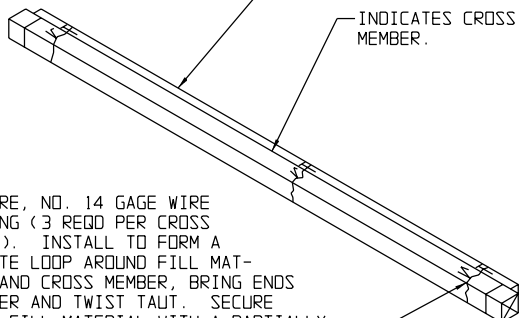
SPECIAL NOTE:

WHEN REDUCING A LOAD BY ONE OR MORE CONTAINERS, IT WILL BE NECESSARY TO UNITIZE THE CONTAINER STACK WHICH IS LATERALLY ADJACENT TO THE OMITTED CONTAINER AS DEPICTED IN THE LOAD VIEW ABOVE. SEE GENERAL NOTE "N" ON PAGE 3.

LESS-THAN-FULL-LOAD PROCEDURE

KEY NUMBERS REFER TO KEY NUMBERS ON PAGE 2. NOTE THAT THE CENTER FILL ASSEMBLY HAS BEEN MODIFIED AS DESCRIBED ON PAGE 5.

FILL MATERIAL, 1" X 4" OR 2" X 4" MATERIAL BY CONTAINER WIDTH MINUS 1" (AS REQD).



INDICATES CROSS MEMBER.

TIE WIRE, NO. 14 GAGE WIRE 18" LONG (3 REQD PER CROSS MEMBER). INSTALL TO FORM A COMPLETE LOOP AROUND FILL MATERIAL AND CROSS MEMBER, BRING ENDS TOGETHER AND TWIST TAUT. SECURE TO THE FILL MATERIAL WITH A PARTIALLY DRIVEN 10d NAIL BENT OVER THE WIRE, OR WITH A STRAP STAPLE.

FILL DETAIL