

STORAGE IN APPROVED MAGAZINES OF CBU ITEMS • PACKED IN CONTAINER MK427 AND MODS

INDEX

<u>ITEM</u>	<u>PAGE(S)</u>
GENERAL NOTES, AND MATERIAL SPECIFICATIONS - - - - -	2
CONTAINER DETAILS- - - - -	3
STORAGE PROCEDURES (EARTH COVERED MAGAZINES):	
81'-0", 60'-8" AND 40'-4" L X 26'-6" W X 12'-9" H IGLOO MAGAZINES - -	4,5
81'-2" L X 26'-6" W X 12'-1-3/4" H ARCH TYPE MAGAZINE - - - - -	6,7
80'-0" AND 40'-0" L X 25'-0" W X 12'-1-3/4" H ARCH TYPE MAGAZINES - -	8,9
80'-0" AND 40'-0" L X 25'-0" W X 11'-0" H ARCH TYPE MAGAZINES - - - -	10,11
80'-0" AND 40'-0" L X 25'-0" W X 10'-0" H ARCH TYPE MAGAZINES - - - -	12,13
80'-0" L X 25'-0" W X 14'-0" H STRADLEY MAGAZINE - - - - -	14,15
89'-0" L X 24'-11" W X 13'-6" H STEEL ARCH MAGAZINE - - - - -	16,17
52'-0" DIAMETER CORBETTA MAGAZINE - - - - -	18,19
100'-8" L X 50'-0" W RECTANGULAR MAGAZINE - - - - -	20,21
PLACEMENT OF DUNNAGE DETAILS - - - - -	22

- THESE STORAGE PROCEDURES APPLY TO ANY OF THE FOLLOWING ITEMS WHEN PACKED IN THE MK427 CONTAINER:
 CBU-MK20 AND MODS (ROCKEYE II)
 CBU-78/B (GATOR)
 CBU-59/B, COMPLETE (APAM)
 CBU-59 (T-I)/B, TRAINING

U. S. ARMY MATERIEL COMMAND DRAWING			
APPROVED, U. S. ARMY INDUSTRIAL OPERATIONS COMMAND <i>NLH</i> <i>David A. Bisboick</i> AMSTA-AR-ESK	DRAFTSMAN	D. WHITMORE	
	ENGINEER	M. DAEUMER	
	SUPPLY ENGINEERING DIVISION	<i>J SPRAGUE</i>	
APPROVED BY ORDER OF COMMANDING GENERAL, U. S. ARMY MATERIEL COMMAND	LOGISTICS ENGINEERING OFFICE	<i>Thomas J. Michels</i>	
	NOVEMBER 1991/		
U. S. ARMY DEFENSE AMMUNITION CENTER AND SCHOOL	CLASS	DIVISION	DRAWING
REVISION NO. 1			
	NOVEMBER 1995	19	48
SEE REVISION LISTING ON PAGE 2	7135	SP1-3-4-14-22J28	

DO NOT SCALE

GENERAL NOTES

(GENERAL NOTES CONTINUED)

- A. THIS DOCUMENT HAS BEEN PREPARED AND ISSUED IN ACCORDANCE WITH AR 740-1 AND AUGMENTS TM 743-200-1 (CHAPTER 5).
- B. THE STORAGE PROCEDURES SPECIFIED HEREIN ARE APPLICABLE TO THE MK427 MOD 0 OR MOD 1 CONTAINER WHEN ONE OF THE FOLLOWING ITEMS ARE PACKED THEREIN:
 CBU-MK20 AND MODS (ROCKEYE II)
 CBU-7B/B (GATOR)
 CBU-59/B, COMPLETE (APAM)
 CBU-59 (T-I)/B, TRAINING
 SUBSEQUENT REFERENCE TO CONTAINER MEANS THE MK427 CONTAINER WITH CONTENTS. FOR DETAILS OF THE CONTAINERS SEE PAGE 3.

CONTAINER DIMENSIONS:

MK427 MOD 0 - - 102-17/32" L X 23-5/32" W X 25-31/32" H
 STACKING HEIGHT - - 25-17/32"
 CUBE - - - - - 35.7 CU FT

MK427 MOD 0 1 - 103" L X 23-5/8" W X 26-1/4" H
 STACKING HEIGHT - - 25-3/4"
 CUBE - - - - - 37.0 CU FT

GROSS WEIGHT - 915 LBS TO 1143 LBS (APPROX)
 (DEPENDING ON THE CBU ITEM AND CONTAINER MOD)

CAUTION: CONTAINERS MUST NOT BE STACKED MORE THAN SIX (6) CONTAINERS HIGH. ALSO SEE NOTE "G" FOR ADDITIONAL REQUIREMENTS.

- C. THE STORAGE PROCEDURES DEPICTED WITHIN THIS DOCUMENT MAY ALSO BE UTILIZED TO STORE CONTAINERS IN OTHER TYPES OF APPROVED MAGAZINES. MINOR ADJUSTMENTS MAY BE MADE TO FACILITATE STORAGE IN OTHER TYPES OF MAGAZINES, HOWEVER, THE BASIC PRINCIPLES AS DEPICTED HEREIN WILL BE FOLLOWED.
- D. **CAUTION:** THE ALLOWABLE "EXPLOSIVE LIMIT" ESTABLISHED FOR A MAGAZINE IS NOT TO BE EXCEEDED. THIS LIMITATION MAY REQUIRE A QUANTITY REDUCTION FROM THE STORAGE AS SHOWN.
- E. STORED CONTAINERS MUST NOT CONTACT THE WALLS OR COLUMNS OF A MAGAZINE. TO PROVIDE FOR THIS MANDATORY CLEARANCE REQUIREMENT, CONTAINERS MAY BE ELIMINATED FROM THE DEPICTED STORAGE PATTERN AS NECESSARY.
- F. AISLE DIMENSIONS SHOWN FOR STORAGE PROCEDURES IN MAGAZINES MAY BE ADJUSTED TO SUIT LOCAL CONDITIONS, AND/OR AVAILABLE MATERIALS HANDLING EQUIPMENT (MHE); HOWEVER, AN 18" MINIMUM INSPECTION AISLE MUST BE MAINTAINED AT THE FORWARD END OF ALL CONTAINERS. SEE NOTE "R" AT RIGHT.
- G. STACK STABILIZING STRAPS, 3/4" X .035" OR .031" STEEL STRAPPING BY LENGTH REQUIRED, WILL BE INSTALLED AROUND THE THIRD LAYER CONTAINERS OF TWO ADJACENT CONTAINER STACKS IF EITHER STACK IS FOUR OR MORE CONTAINERS HIGH; TWO (2) STRAPS ARE REQUIRED FOR EACH DOUBLE STACK AS SHOWN. **CAUTION:** A SINGLE STACK MUST NOT BE STACKED MORE THAN THREE (3) CONTAINERS HIGH WITHOUT BEING STRAPPED TO AN ADJACENT STACK. POSITION ANTI-CHAFING MATERIAL UNDER STEEL STRAPPING AT ALL POINTS OF STRAP/CONTAINER CONTACT. SEAL THE LAP JOINT OF THE STRAPPING WITH ONE (1) STRAP SEAL SO AS NOT TO BE IN CONTACT WITH THE CONTAINER. SEE NOTE "R" AT RIGHT.
- H. THE MAXIMUM FLOOR LOAD FOR A MAGAZINE AS PRESCRIBED BY LOCAL STANDARDS WILL NOT BE EXCEEDED.
- J. IF AVAILABLE MHE PERMITS, ADDITIONAL CONTAINERS MAY BE STORED WITHIN THE MHE AREA AND/OR OTHER AVAILABLE AREA OF THE MAGAZINE.

(CONTINUED AT RIGHT)

MATERIAL SPECIFICATIONS

LUMBER - - -: SEE TM 743-200-1 (DUNNAGE LUMBER) AND FED SPEC MM-L-751.

STRAPPING STEEL - - -: ASTM-D3953; FLAT STRAPPING, TYPE 1, HEAVY DUTY, FINISH B (GRADE 2).

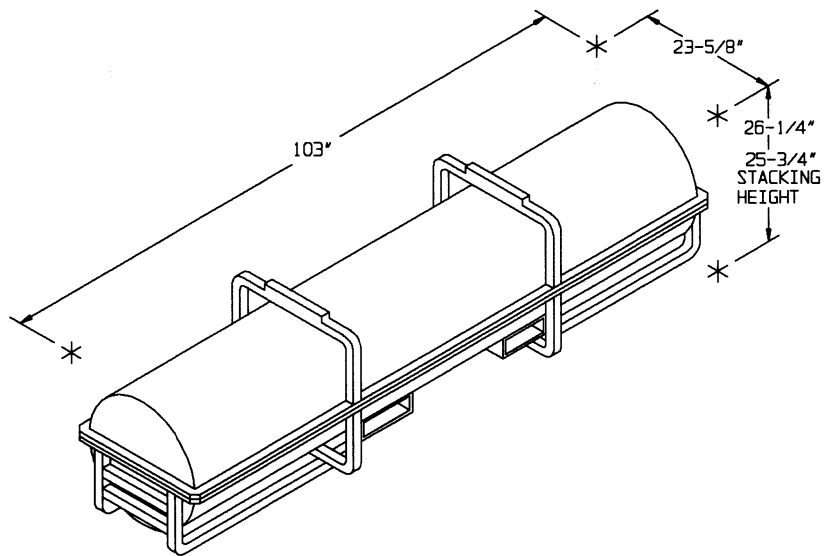
SEAL, STRAP - -: ASTM-D3953; CLASS H, FINISH B (GRADE 2), DOUBLE NOTCH TYPE, STYLE I, II, OR IV.

- K. THE HEIGHT OF THE PACKAGE GUARD ON SOME FORKLIFT TRUCKS MAY NOT PERMIT PLACEMENT OF SOME TOP LAYER CONTAINERS IN THE STACKS SHOWN IN THE STORAGE VIEWS HEREIN, UNLESS TWO UPPER CONTAINERS ARE HANDLED AS ONE LIFT OR THE PACKAGE GUARD IS REMOVED (TINE CARRIAGE WILL IN MOST INSTANCES PROVIDE ADEQUATE PACKAGE GUARD PROTECTION). ONLY A FORKLIFT TRUCK OF ADEQUATE CAPACITY WILL BE USED WHEN LIFTING TWO CONTAINERS AS ONE LIFT.
- L. IF THE QUANTITY OF CONTAINERS FOR A MAGAZINE IS TO BE REDUCED FROM WHAT IS SHOWN HEREIN DUE TO THE PERMITTED "EXPLOSIVE LIMIT" OR FOR ANY OTHER REASON, SUCH AS A LIMITED QUANTITY TO BE STORED, THE DELINEATED PROCEDURES ARE TO BE ADJUSTED BY OMITTING STACKS RATHER THAN BY OMITTING LAYERS.
- M. PORTIONS OF THE MAGAZINES, SUCH AS SIDEWALLS, END WALLS, AND ROOFS, HAVE NOT BEEN SHOWN IN THE STORAGE VIEWS FOR CLARITY PURPOSES.
- N. CONTAINERS PRESENTLY STORED IN ACCORDANCE WITH A PRIOR APPROVED DRAWING NEED NOT BE RE-STORED SOLELY TO CONFORM TO THE PROCEDURES SPECIFIED IN THIS DOCUMENT.
- O. OTHER COMPATIBLE ITEMS MAY BE STORED IN A MAGAZINE WHICH IS PARTIALLY FILLED WITH THE DESIGNATED ITEM.
- P. THE USE OF "FLOOR DUNNAGE" UNDER EACH FIRST-LAYER CONTAINER IS OPTIONAL, ALTHOUGH THE USE OF THIS TYPE OF DUNNAGE IS DELINEATED WITHIN THIS STORAGE PROCEDURE DRAWING. THE PURPOSE OF FLOOR DUNNAGE IS TO HELP KEEP THE RUNNERS OF A CONTAINER DRY, THUS AIDING IN PREVENTING DETERIORATION DUE TO CORROSION. THEREFORE, FLOOR DUNNAGE SHOULD BE USED WHEN STORING IN A MAGAZINE THAT IS KNOWN TO HAVE A "DAMP" FLOOR.
- Q. DUNNAGE LUMBER SPECIFIED THROUGHOUT THIS PROCEDURAL DRAWING IS OF NOMINAL SIZE. FOR EXAMPLE, 2" X 6" MATERIAL IS ACTUALLY 1-1/2" THICK BY 5-1/2" WIDE.
- R. CONTAINERS MAY BE OFFERED FOR STORAGE IN UNITIZED FLEET ISSUE UNITS OF TWO (2) CONTAINERS (2 WIDE BY 1 HIGH) OR FOUR (4) CONTAINERS (2 WIDE BY 2 HIGH). IF THE CAPACITY OF THE MHE PERMITS AND IF THESE UNITS CAN BE SAFELY HANDLED THRU THE MAGAZINE DOOR OPENING, THE COMPLETE UNITS MAY BE STACKED IN STORAGE PROVIDING THE UNIT STRAPS ARE GALVANIZED. LOOSE OR UNSERVICEABLE STRAPS SHOULD BE REPLACED AS NECESSARY. HOWEVER, IF STRAPS ARE NOT GALVANIZED OR ARE LOOSE OR UNSERVICEABLE, IF DESIRED, THEY MAY BE REMOVED AND CONTAINERS HANDLED INDIVIDUALLY. SEE GENERAL NOTE "K". **CAUTION:** IT SHOULD BE NOTED THAT DUE TO THE POSITIONING OF THE CONTAINERS WITHIN SOME FLEET ISSUE UNITS, AN INSPECTION AISLE MAY BE NECESSARY AT BOTH ENDS OF THE UNIT TO COMPLY WITH THE REQUIREMENTS OF GENERAL NOTE "F". TO PROVIDE FOR MAXIMUM STORAGE WITHIN A MAGAZINE, SINGLE CONTAINERS MAY BE STACKED IN CONJUNCTION WITH THE FLEET ISSUE UNITS. HOWEVER, STACK STABILIZING STRAPS AS SPECIFIED IN GENERAL NOTE "G" WILL BE USED WHERE APPLICABLE FOR THIRD LAYER CONTAINERS.

REVISIONS

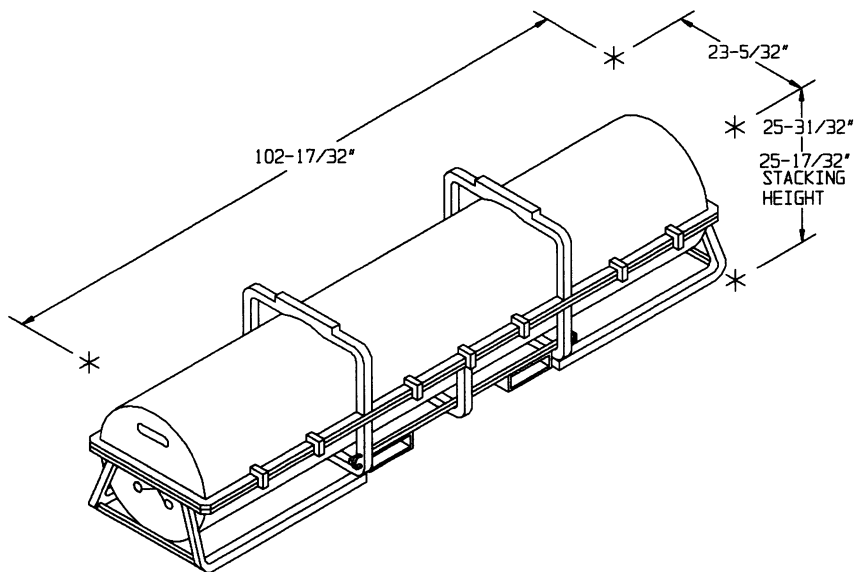
REVISION NO. 1 DATED NOVEMBER 1995, CONSISTS OF:

1. UPDATING DRAWING FORMAT, GENERAL NOTES AND MATERIAL SPECIFICATIONS TO CURRENT STANDARDS.
2. ADDING STORAGE PROCEDURES TO INCLUDE THE VARIOUS EARTH COVERED MAGAZINES IN CONUS.
3. CHANGING DRAWING FILE NUMBER TO INCLUDE ADDITIONAL MAGAZINES.



MK427 MOD 1 CONTAINER

FOR FLEET ISSUE UNIT LOAD DETAILS SEE
 NAVAL WEAPONS HANDLING LABORATORY
 WR-54/266. ALSO SEE GENERAL NOTES
 B AND *R* ON PAGE 2.



MK427 MOD 0 CONTAINER

FOR FLEET ISSUE UNIT LOAD DETAILS SEE
 NAVAL WEAPONS HANDLING LABORATORY
 WR-54/140B AND WR-54/215B. ALSO SEE
 GENERAL NOTES *B* AND *R* ON PAGE 2.

STORAGE IN 60'-8" IGL00
(12'-9" HIGH)

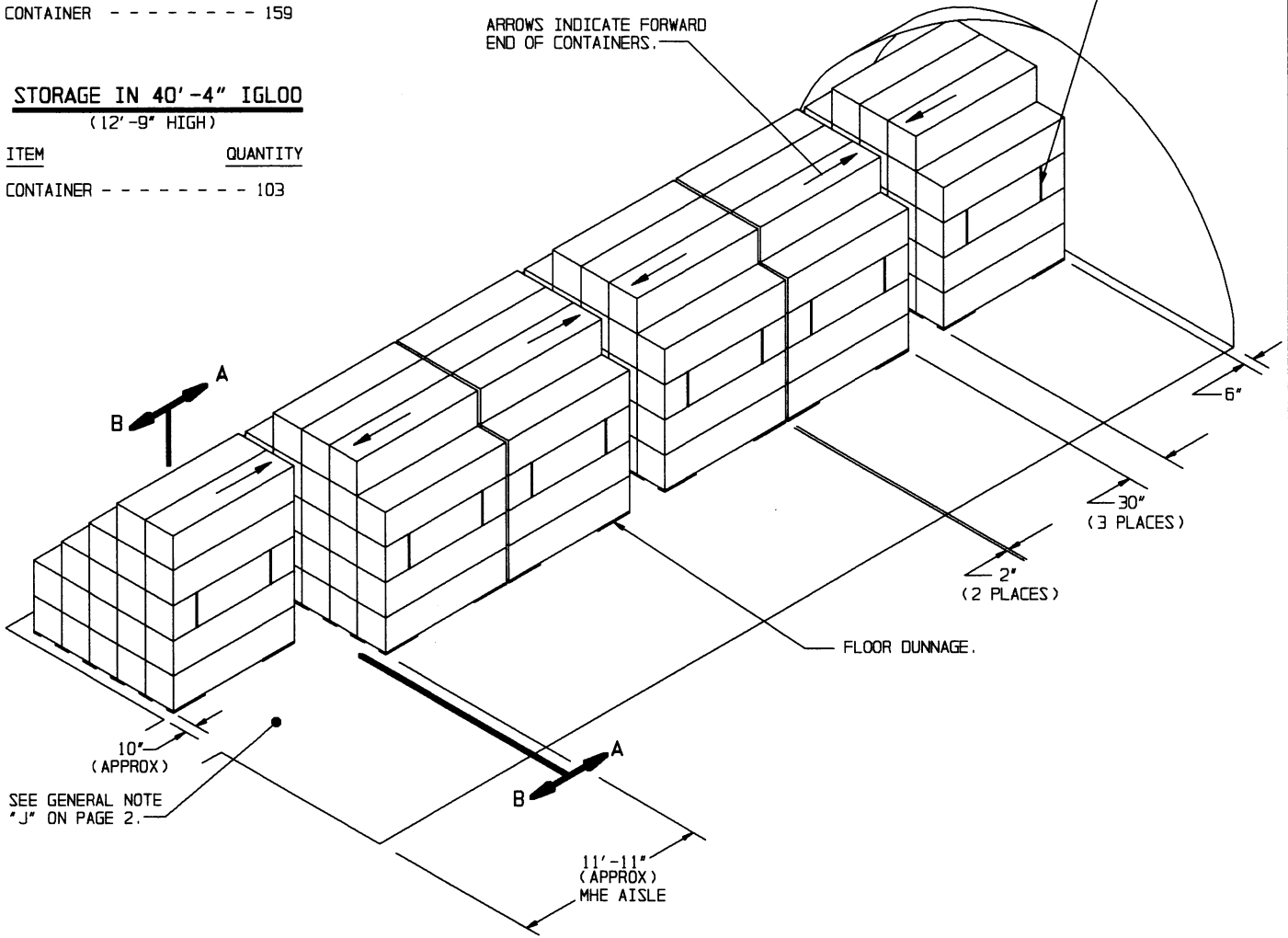
ITEM	QUANTITY
CONTAINER - - - - -	159

STORAGE IN 40'-4" IGL00
(12'-9" HIGH)

ITEM	QUANTITY
CONTAINER - - - - -	103

STACK STABILIZING STRAPS.
SEE GENERAL NOTE "G" ON
PAGE 2.

ARROWS INDICATE FORWARD
END OF CONTAINERS.



ISOMETRIC VIEW
(60'-8" IGL00)

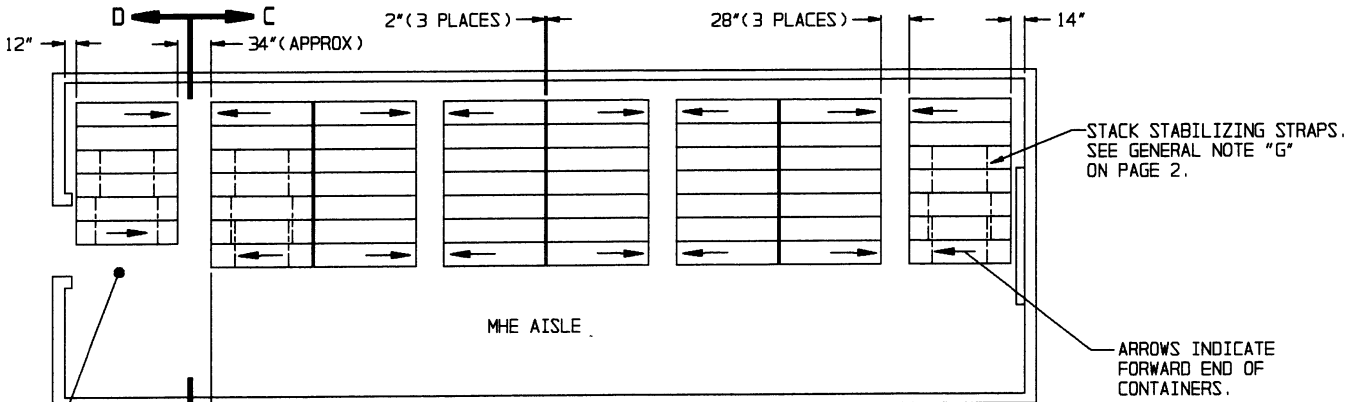
**FOR "GENERAL NOTES" AND
"MATERIAL SPECIFICATIONS", SEE PAGE 2.**

SPECIAL NOTES FOR MULTIPLE-LOT STORAGE

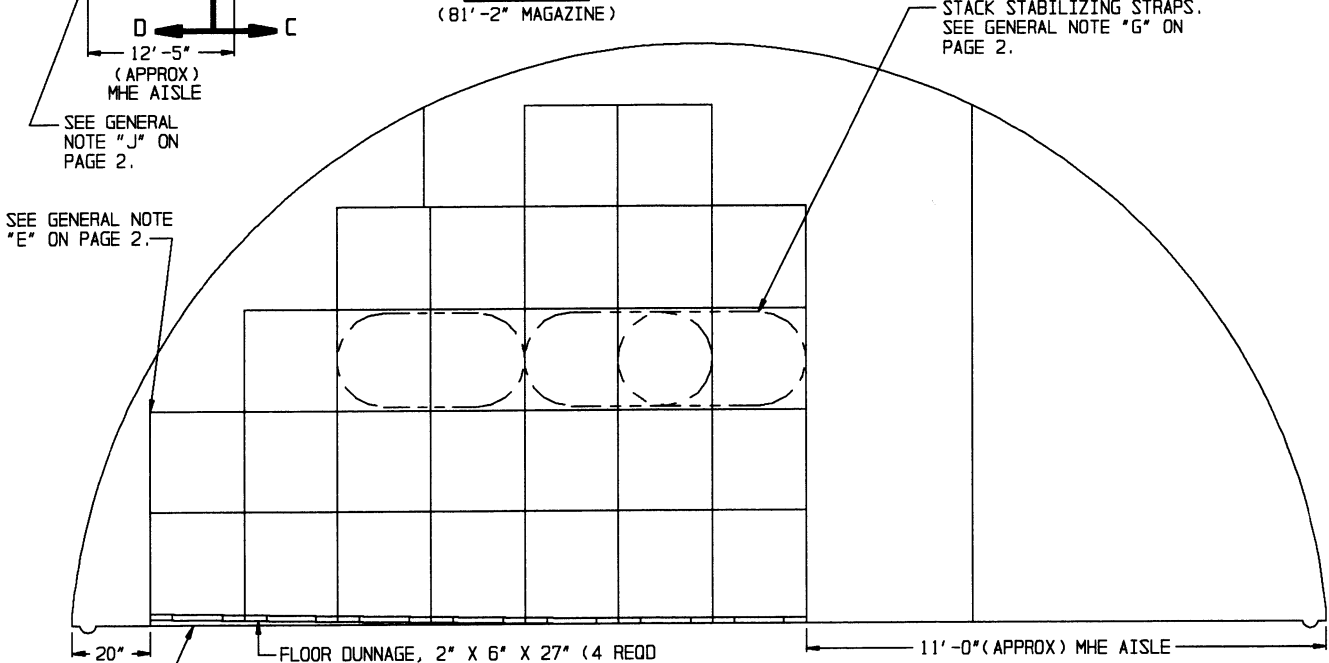
1. THE STORAGE PROCEDURES AS SPECIFIED CAN BE ADAPTED FOR USE IN MULTIPLE-LOT STORAGE. EACH STACK CAN CONSIST OF ONE OR MORE LOTS, EXCEPT THAT CONTAINERS OF ONE LOT WILL NOT BE STACKED ON TOP OF CONTAINERS OF ANOTHER LOT. GENERALLY, THE LARGEST LOT SHOULD BE STORED TOWARD THE REAR OF THE MAGAZINE.
2. EACH LOT WITHIN THE MAGAZINE MUST BE "ACCESSIBLE" FOR MOVEMENT BY MHE. A SINGLE-LOT OF CONTAINERS IS CONSIDERED "ACCESSIBLE" IF NO MORE THAN TWELVE (12) "LIFTS" OF ANOTHER LOT OR LOTS HAVE TO BE MADE TO GAIN ACCESS TO THAT LOT. THE TERM "LIFT" MEANS HANDLING AND MOVING NOT MORE THAN TWO (2) SINGLE CONTAINERS OR ONE (1) FLEET ISSUE UNIT AT ONE TIME.
3. INSPECTION/INVENTORY AISLES AND OTHER CRITERIA SPECIFIED IN THE GENERAL NOTES ON PAGE 2 MUST BE COMPLIED WITH FOR MULTIPLE-LOT STORAGE.
4. LOT IDENTITY AND ACCOUNTABILITY MUST BE MAINTAINED FOR ALL LOTS STORED WITHIN THE MAGAZINE.

BILL OF MATERIAL			
9'-0" WEDGES (PER STACK)	2" X 6" X 27" FLOOR DUNNAGE * (PER FIRST LAYER CONTAINER)		
4 REOD	4 REOD	9 LINEAR FEET	9 BOARD FEET

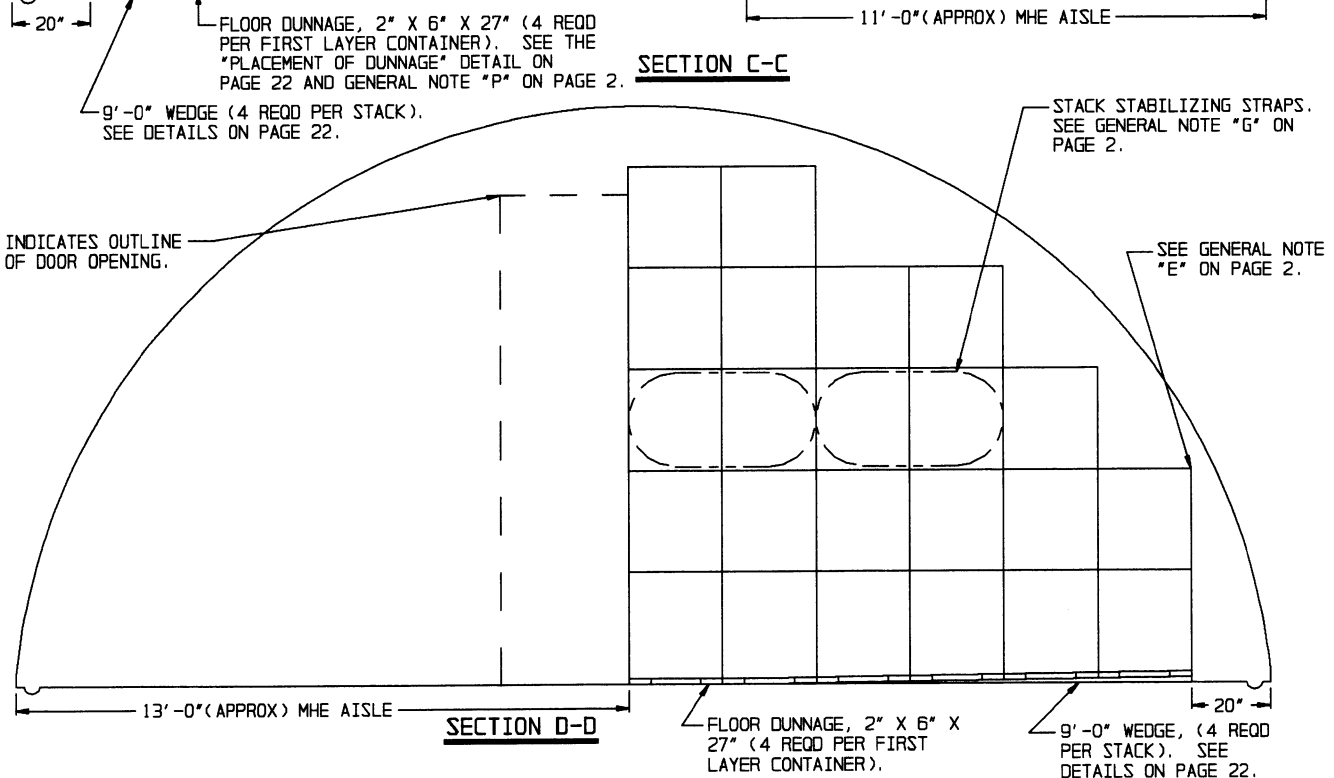
* SEE GENERAL NOTE "P" ON PAGE 2.



PLAN VIEW
(81'-2" MAGAZINE)



SECTION C-C



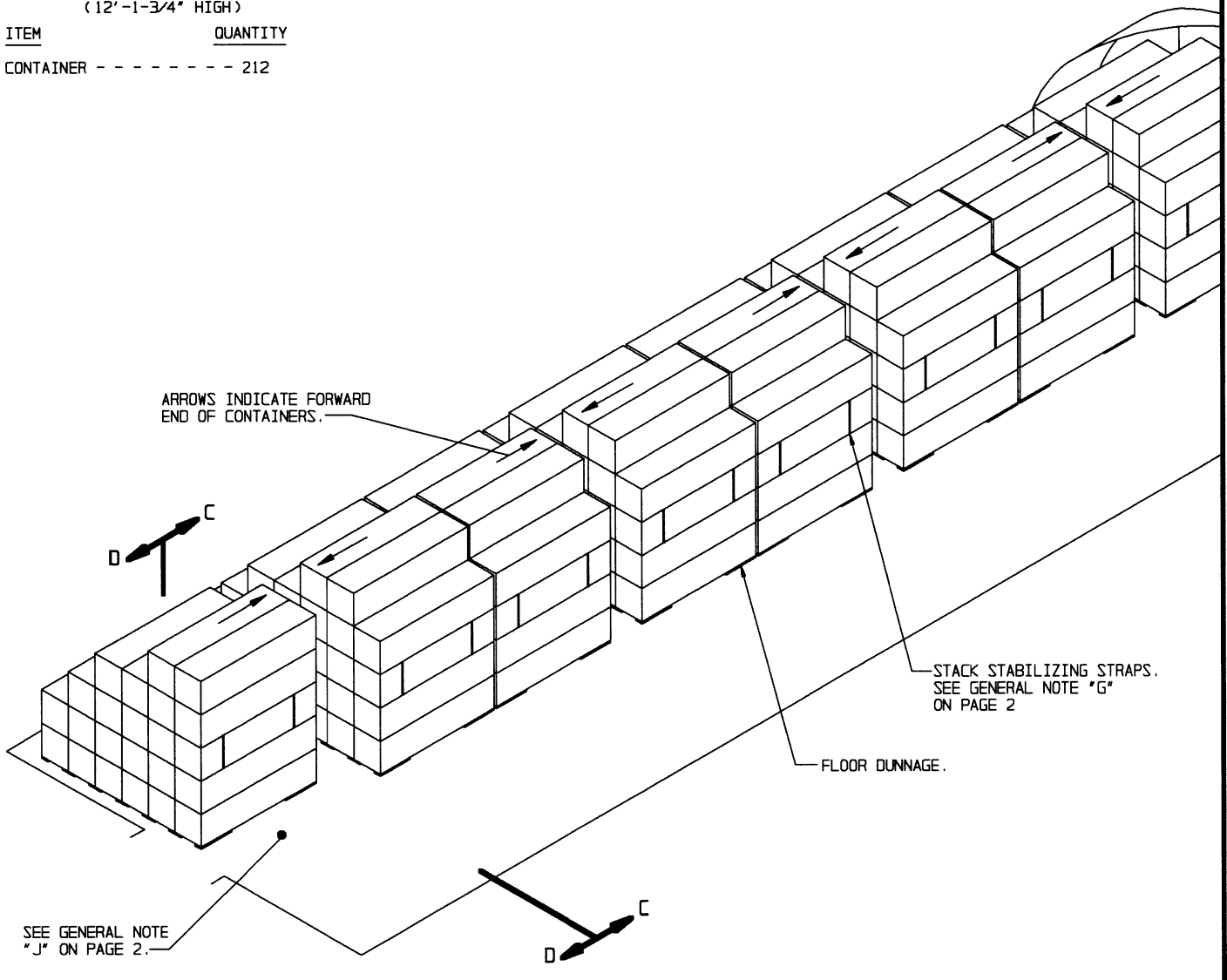
SECTION D-D

STORAGE PROCEDURES IN 81'-2" L X 26'-6" W X 12'-1-3/4" H ARCH TYPE MAGAZINE

STORAGE IN 81'-2" MAGAZINE

(12'-1-3/4" HIGH)

ITEM	QUANTITY
CONTAINER - - - - -	212



ISOMETRIC VIEW
(81'-2" MAGAZINE)

FOR "GENERAL NOTES" AND "MATERIAL SPECIFICATIONS", SEE PAGE 2.

BILL OF MATERIAL			
9'-0" WEDGES (PER STACK)	2" X 6" X 27" FLOOR DUNNAGE * (PER FIRST LAYER CONTAINER)		
4 REQD	4 REQD	9 LINEAR FEET	9 BOARD FEET

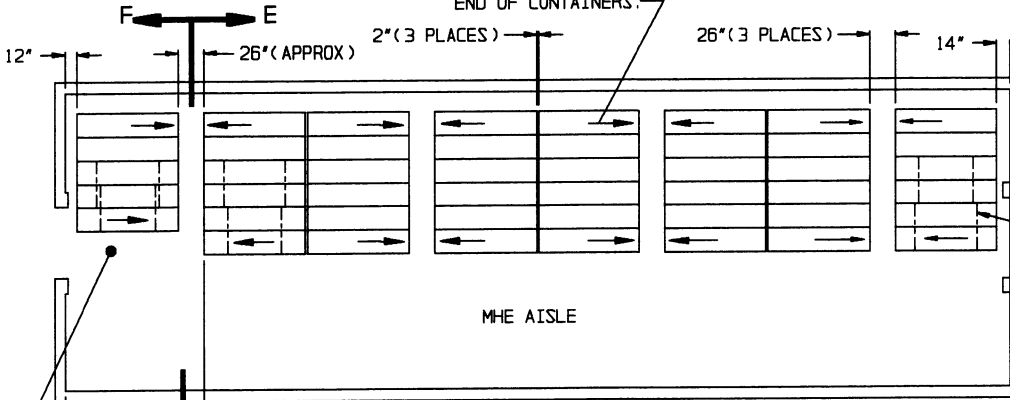
* SEE GENERAL NOTE "P" ON PAGE 2.

SPECIAL NOTES FOR MULTIPLE-LOT STORAGE

1. THE STORAGE PROCEDURES AS SPECIFIED CAN BE ADAPTED FOR USE IN MULTIPLE-LOT STORAGE. EACH STACK CAN CONSIST OF ONE OR MORE LOTS, EXCEPT THAT CONTAINERS OF ONE LOT WILL NOT BE STACKED ON TOP OF CONTAINERS OF ANOTHER LOT. GENERALLY, THE LARGEST LOT SHOULD BE STORED TOWARD THE REAR OF THE MAGAZINE.
2. EACH LOT WITHIN THE MAGAZINE MUST BE "ACCESSIBLE" FOR MOVEMENT BY MHE. A SINGLE-LOT OF CONTAINERS IS CONSIDERED "ACCESSIBLE" IF NO MORE THAN TWELVE (12) "LIFTS" OF ANOTHER LOT OR LOTS HAVE TO BE MADE TO GAIN ACCESS TO THAT LOT. THE TERM "LIFT" MEANS HANDLING AND MOVING NOT MORE THAN TWO (2) SINGLE CONTAINERS OR ONE (1) FLEET ISSUE UNIT AT ONE TIME.
3. INSPECTION/INVENTORY AISLES AND OTHER CRITERIA SPECIFIED IN THE GENERAL NOTES ON PAGE 2 MUST BE COMPLIED WITH FOR MULTIPLE-LOT STORAGE.
4. LOT IDENTITY AND ACCOUNTABILITY MUST BE MAINTAINED FOR ALL LOTS STORED WITHIN THE MAGAZINE.

ARROWS INDICATE FORWARD END OF CONTAINERS.

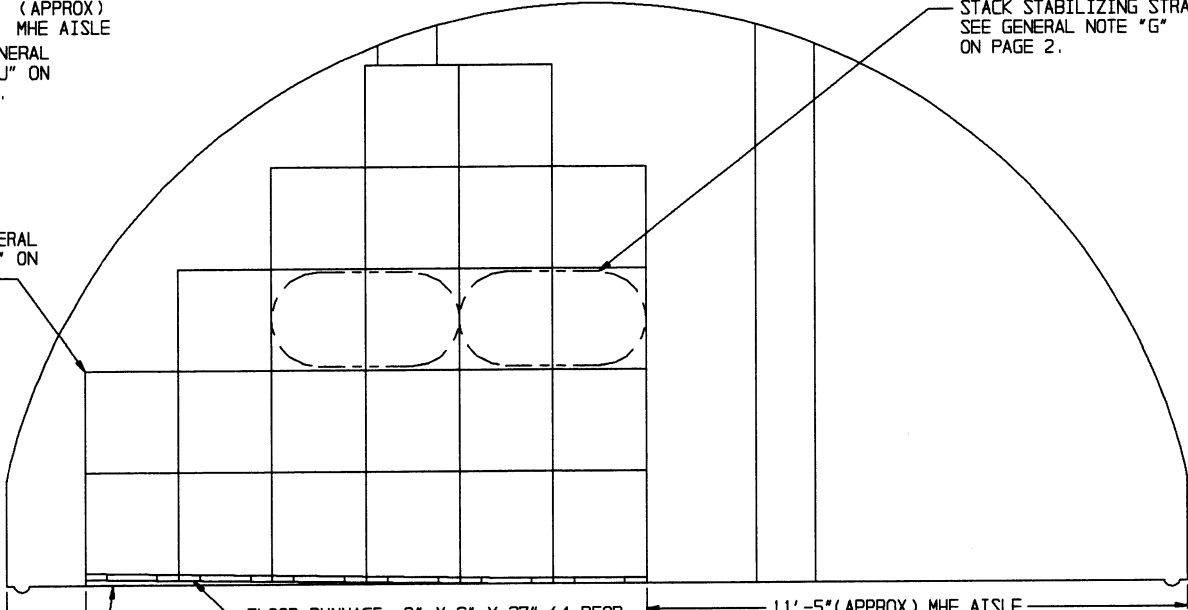
STORAGE IN 80'-0" MAGAZINE
(12'-1-3/4" HIGH)



ITEM	QUANTITY
CONTAINER - - - - -	180

STACK STABILIZING STRAPS. SEE GENERAL NOTE "G" ON PAGE 2.

PLAN VIEW
(80'-0" MAGAZINE)



STACK STABILIZING STRAPS. SEE GENERAL NOTE "G" ON PAGE 2.

SEE GENERAL NOTE "J" ON PAGE 2.

SEE GENERAL NOTE "E" ON PAGE 2.

FLOOR DUNNAGE, 2" X 6" X 27" (4 REOD PER FIRST LAYER CONTAINER). SEE THE "PLACEMENT OF DUNNAGE" DETAIL ON PAGE 22 AND GENERAL NOTE "P" ON PAGE 2.

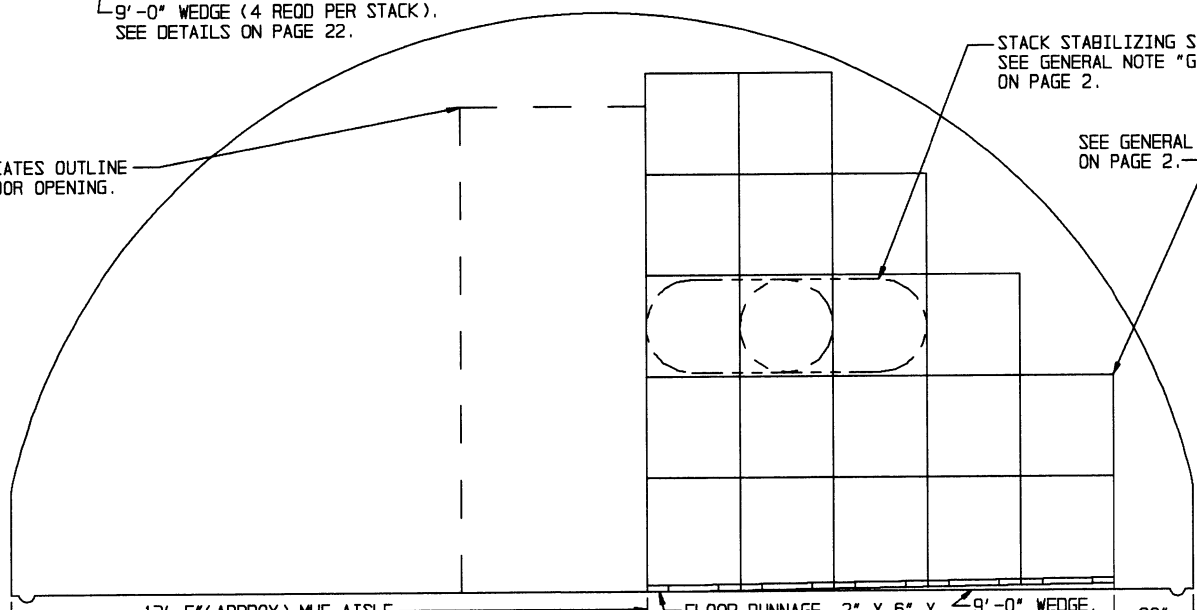
SECTION E-E

9'-0" WEDGE (4 REOD PER STACK). SEE DETAILS ON PAGE 22.

STACK STABILIZING STRAPS. SEE GENERAL NOTE "G" ON PAGE 2.

SEE GENERAL NOTE "E" ON PAGE 2.

INDICATES OUTLINE OF DOOR OPENING.



SECTION F-F

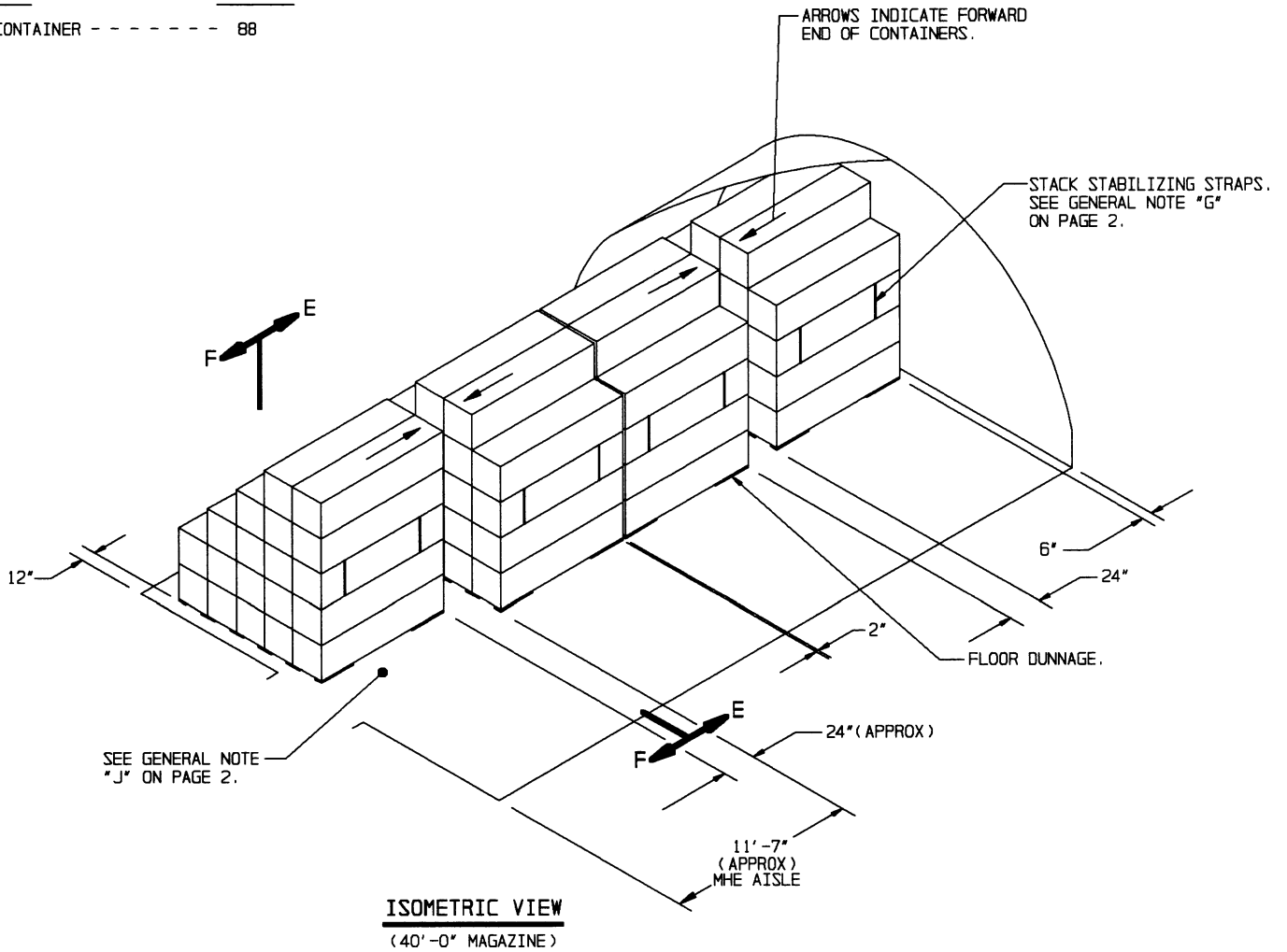
FLOOR DUNNAGE, 2" X 6" X 27" (4 REOD PER FIRST LAYER CONTAINER). 9'-0" WEDGE, (4 REOD PER STACK). SEE DETAILS ON PAGE 22.

STORAGE PROCEDURES IN 80'-0" AND 40'-0" L X 25'-0" W X 12'-1-3/4" H ARCH TYPE MAGAZINES

STORAGE IN 40'-0" MAGAZINE

(12'-1-3/4" HIGH)

ITEM	QUANTITY
CONTAINER - - - - -	88



FOR "GENERAL NOTES" AND "MATERIAL SPECIFICATIONS", SEE PAGE 2.

SPECIAL NOTES FOR MULTIPLE-LOT STORAGE

1. THE STORAGE PROCEDURES AS SPECIFIED CAN BE ADAPTED FOR USE IN MULTIPLE-LOT STORAGE. EACH STACK CAN CONSIST OF ONE OR MORE LOTS, EXCEPT THAT CONTAINERS OF ONE LOT WILL NOT BE STACKED ON TOP OF CONTAINERS OF ANOTHER LOT. GENERALLY, THE LARGEST LOT SHOULD BE STORED TOWARD THE REAR OF THE MAGAZINE.
2. EACH LOT WITHIN THE MAGAZINE MUST BE "ACCESSIBLE" FOR MOVEMENT BY MHE. A SINGLE-LOT OF CONTAINERS IS CONSIDERED "ACCESSIBLE" IF NO MORE THAN TWELVE (12) "LIFTS" OF ANOTHER LOT OR LOTS HAVE TO BE MADE TO GAIN ACCESS TO THAT LOT. THE TERM "LIFT" MEANS HANDLING AND MOVING NOT MORE THAN TWO (2) SINGLE CONTAINERS OR ONE (1) FLEET ISSUE UNIT AT ONE TIME.
3. INSPECTION/INVENTORY AISLES AND OTHER CRITERIA SPECIFIED IN THE GENERAL NOTES ON PAGE 2 MUST BE COMPLIED WITH FOR MULTIPLE-LOT STORAGE.
4. LOT IDENTITY AND ACCOUNTABILITY MUST BE MAINTAINED FOR ALL LOTS STORED WITHIN THE MAGAZINE.

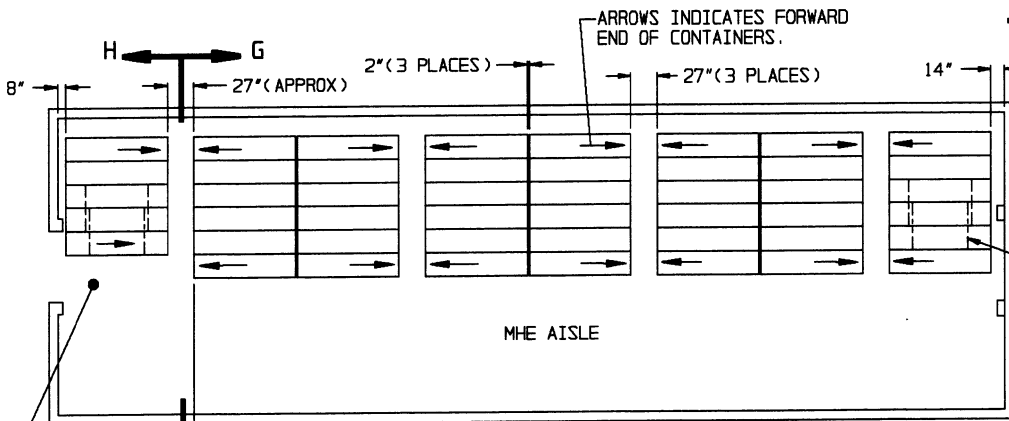
BILL OF MATERIAL			
9'-0" WEDGES (PER STACK)	2" X 6" X 27" FLOOR DUNNAGE * (PER FIRST LAYER CONTAINER)		
4 REQD	4 REQD	9 LINEAR FEET	9 BOARD FEET

* SEE GENERAL NOTE "P" ON PAGE 2.

STORAGE IN 80'-0" MAGAZINE

(11'-0" HIGH)

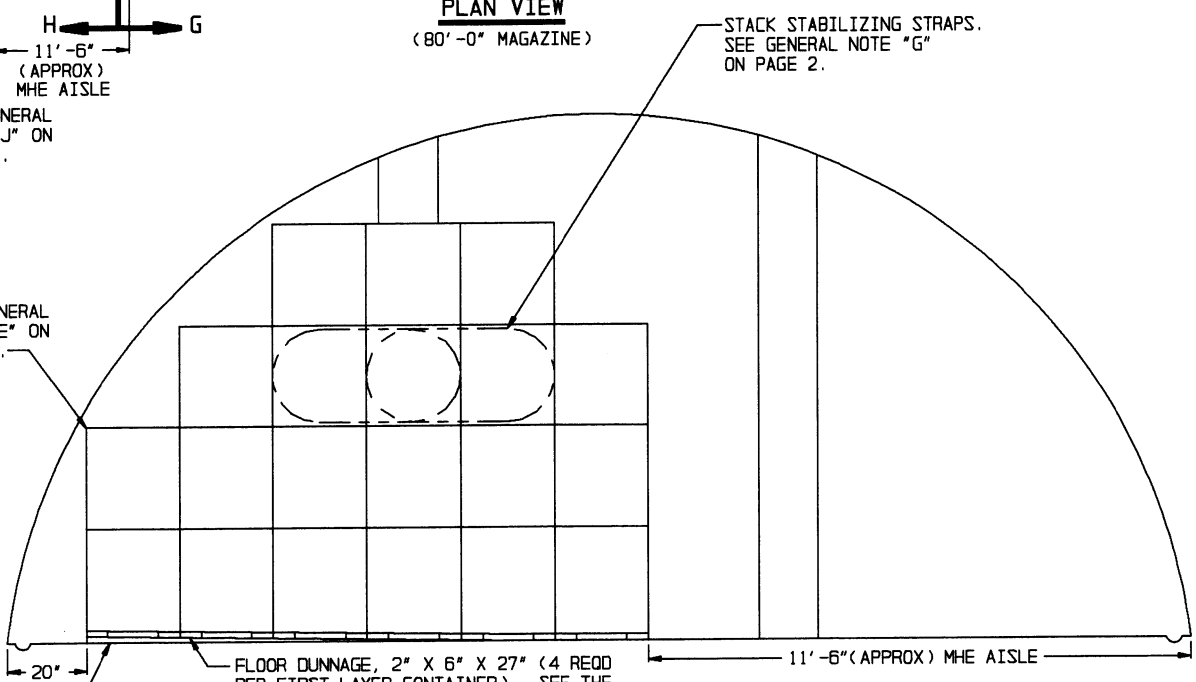
ITEM	QUANTITY
CONTAINER - - - - -	157



PLAN VIEW
(80'-0" MAGAZINE)

SEE GENERAL NOTE "J" ON PAGE 2.

SEE GENERAL NOTE "E" ON PAGE 2.



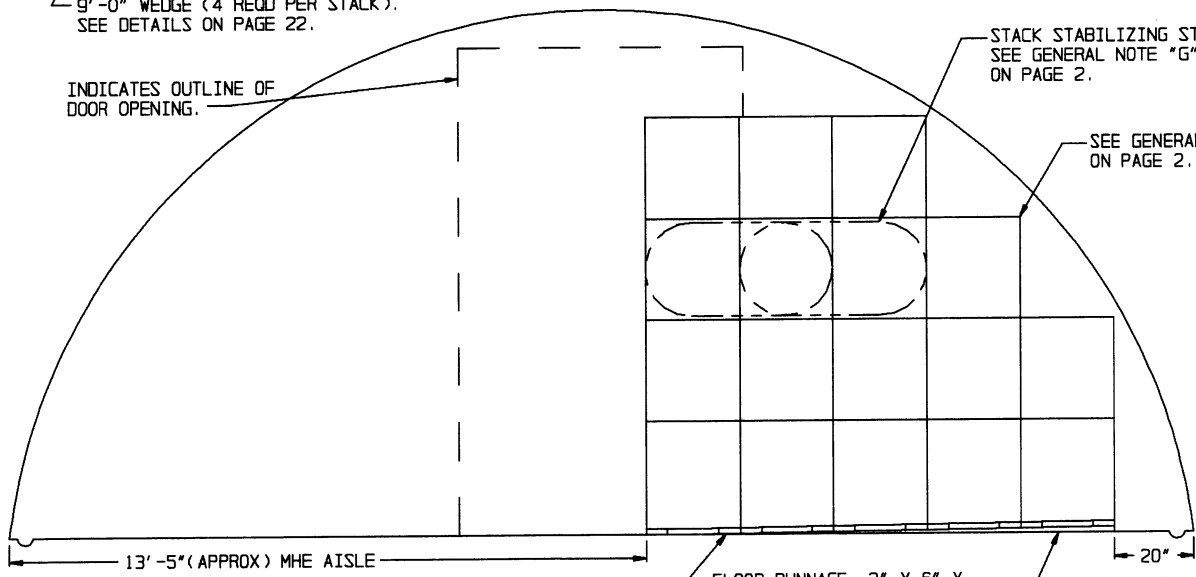
SECTION G-G

9'-0" WEDGE (4 REOD PER STACK).
SEE DETAILS ON PAGE 22.

INDICATES OUTLINE OF DOOR OPENING.

STACK STABILIZING STRAPS.
SEE GENERAL NOTE "G" ON PAGE 2.

SEE GENERAL NOTE "E" ON PAGE 2.



SECTION H-H

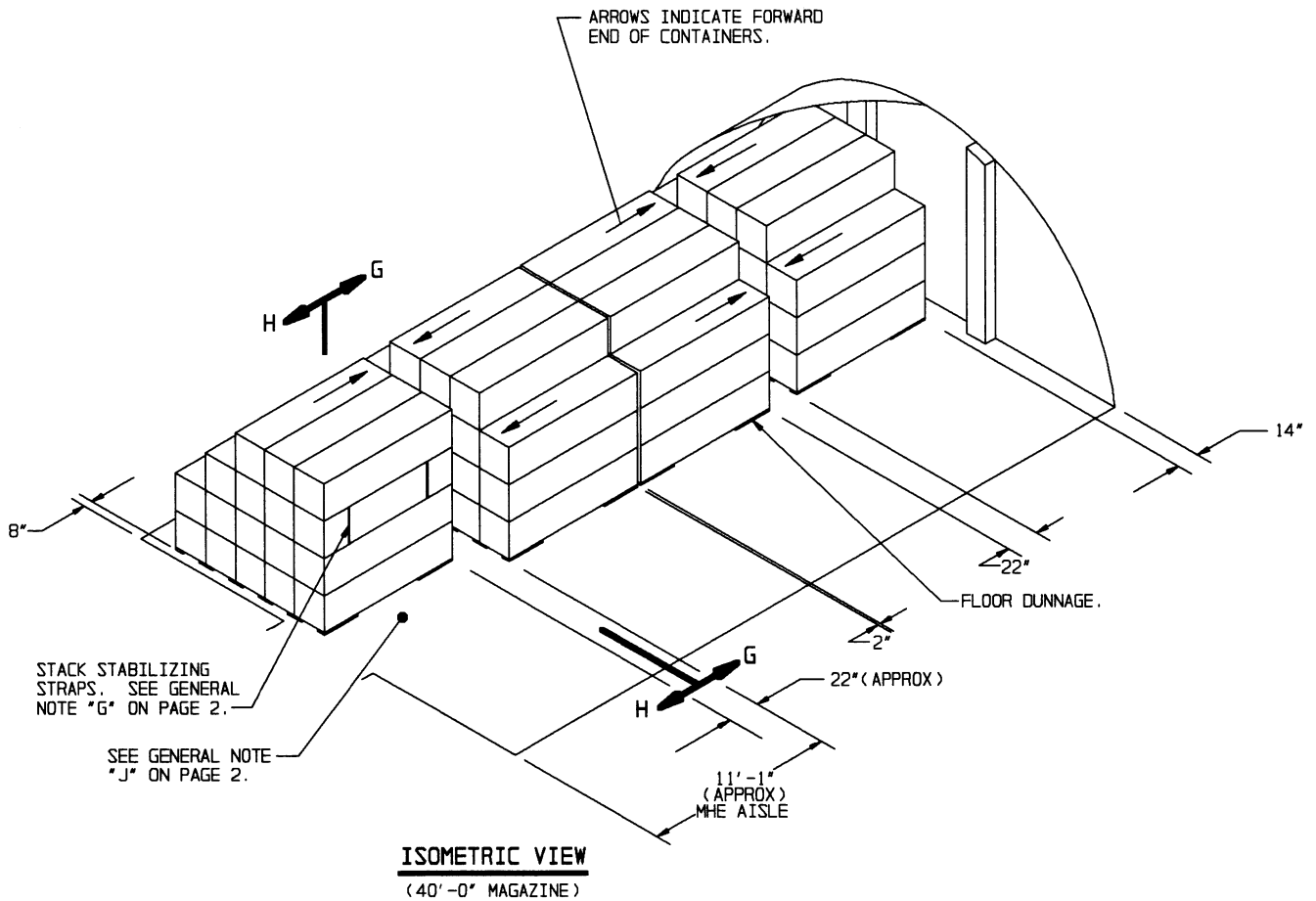
FLOOR DUNNAGE, 2" X 6" X 27" (4 REOD PER FIRST LAYER CONTAINER).

9'-0" WEDGE, (4 REOD PER STACK). SEE DETAILS ON PAGE 22.

STORAGE IN 40'-0" MAGAZINE

(11'-0" HIGH)

ITEM	QUANTITY
CONTAINER - - - - -	77



FOR "GENERAL NOTES" AND "MATERIAL SPECIFICATIONS", SEE PAGE 2.

SPECIAL NOTES FOR MULTIPLE-LOT STORAGE

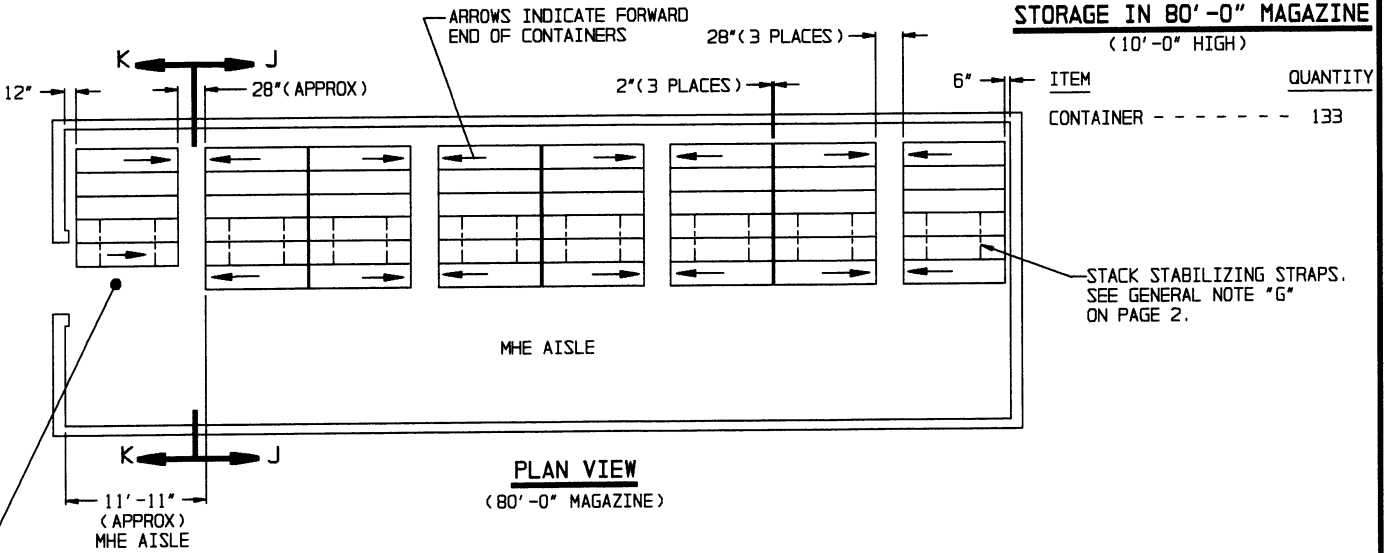
1. THE STORAGE PROCEDURES AS SPECIFIED CAN BE ADAPTED FOR USE IN MULTIPLE-LOT STORAGE. EACH STACK CAN CONSIST OF ONE OR MORE LOTS, EXCEPT THAT CONTAINERS OF ONE LOT WILL NOT BE STACKED ON TOP OF CONTAINERS OF ANOTHER LOT. GENERALLY, THE LARGEST LOT SHOULD BE STORED TOWARD THE REAR OF THE MAGAZINE.
2. EACH LOT WITHIN THE MAGAZINE MUST BE "ACCESSIBLE" FOR MOVEMENT BY MHE. A SINGLE-LOT OF CONTAINERS IS CONSIDERED "ACCESSIBLE" IF NO MORE THAN TWELVE (12) "LIFTS" OF ANOTHER LOT OR LOTS HAVE TO BE MADE TO GAIN ACCESS TO THAT LOT. THE TERM "LIFT" MEANS HANDLING AND MOVING NOT MORE THAN TWO (2) SINGLE CONTAINERS OR ONE (1) FLEET ISSUE UNIT AT ONE TIME.
3. INSPECTION/INVENTORY AISLES AND OTHER CRITERIA SPECIFIED IN THE GENERAL NOTES ON PAGE 2 MUST BE COMPLIED WITH FOR MULTIPLE-LOT STORAGE.
4. LOT IDENTITY AND ACCOUNTABILITY MUST BE MAINTAINED FOR ALL LOTS STORED WITHIN THE MAGAZINE.

BILL OF MATERIAL			
9'-0" WEDGES (PER STACK)	2" X 6" X 27" FLOOR DUNNAGE * (PER FIRST LAYER CONTAINER)		
4 REQD	4 REQD	9 LINEAR FEET	9 BOARD FEET

* SEE GENERAL NOTE "P" ON PAGE 2.

STORAGE IN 80'-0" MAGAZINE

(10'-0" HIGH)



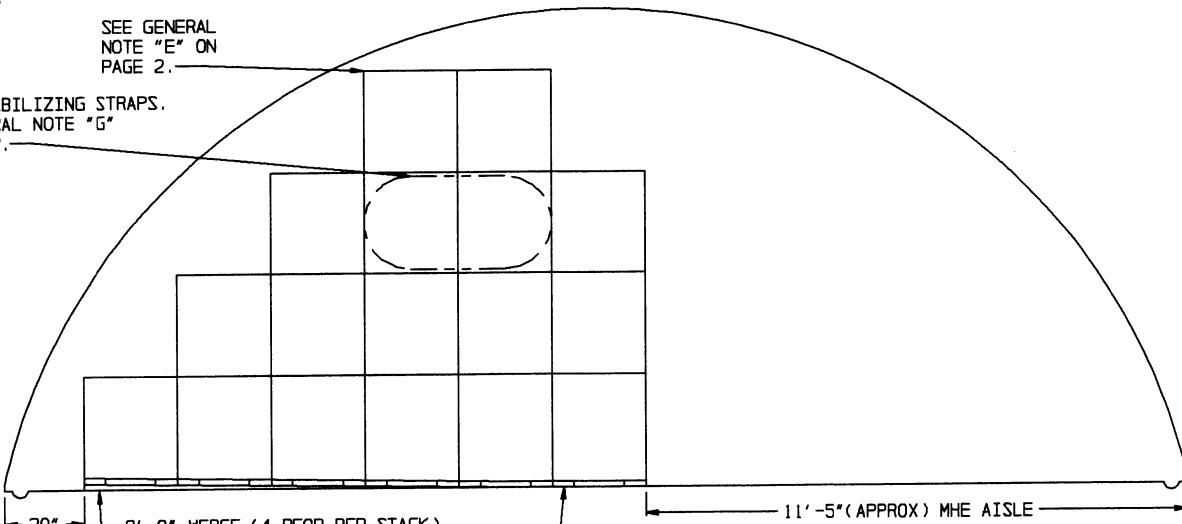
PLAN VIEW

(80'-0" MAGAZINE)

SEE GENERAL NOTE "J" ON PAGE 2.

SEE GENERAL NOTE "E" ON PAGE 2.

STACK STABILIZING STRAPS. SEE GENERAL NOTE "G" ON PAGE 2.



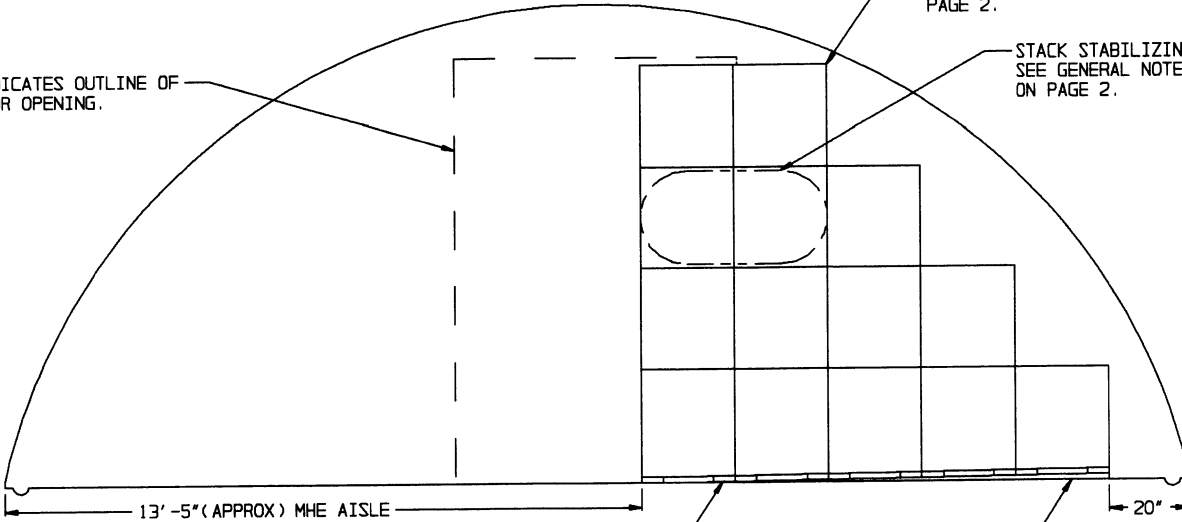
SECTION J-J

FLOOR DUNNAGE, 2" X 6" X 27" (4 REOD PER FIRST LAYER CONTAINER). SEE "PLACEMENT OF DUNNAGE" DETAIL ON PAGE 22 AND GENERAL NOTE "P" ON PAGE 2.

SEE GENERAL NOTE "E" ON PAGE 2.

STACK STABILIZING STRAPS. SEE GENERAL NOTE "G" ON PAGE 2.

INDICATES OUTLINE OF DOOR OPENING.



SECTION K-K

FLOOR DUNNAGE, 2" X 6" X 27" (4 REOD PER FIRST LAYER CONTAINER).

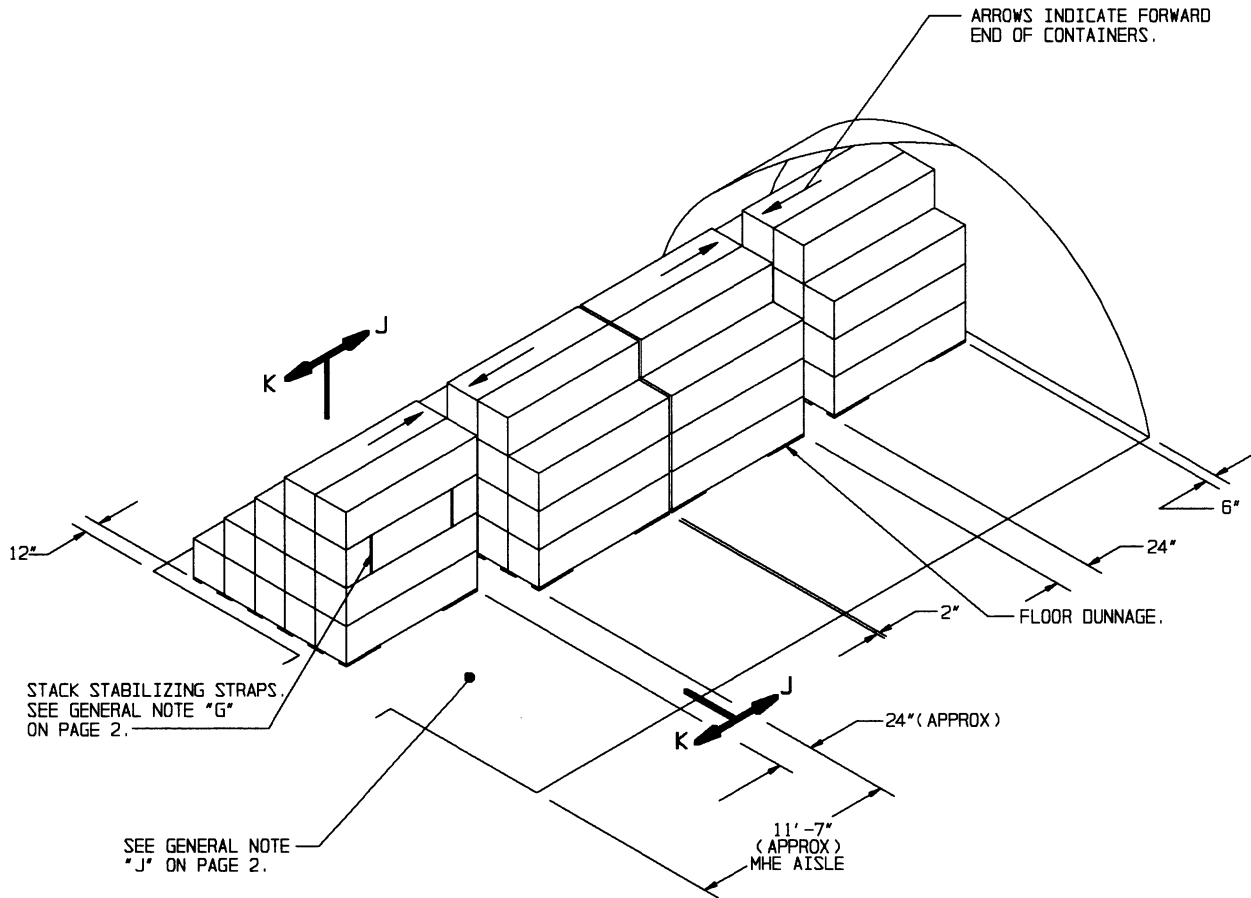
9'-0" WEDGE, (4 REOD PER STACK). SEE DETAILS ON PAGE 22.

STORAGE PROCEDURES IN 80'-0" AND 40'-0" L X 25'-0" W X 10'-0" H ARCH TYPE MAGAZINES

STORAGE IN 40'-0" MAGAZINE

(10'-0" HIGH)

ITEM	QUANTITY
CONTAINER - - - - -	65



ISOMETRIC VIEW
(40'-0" MAGAZINE)

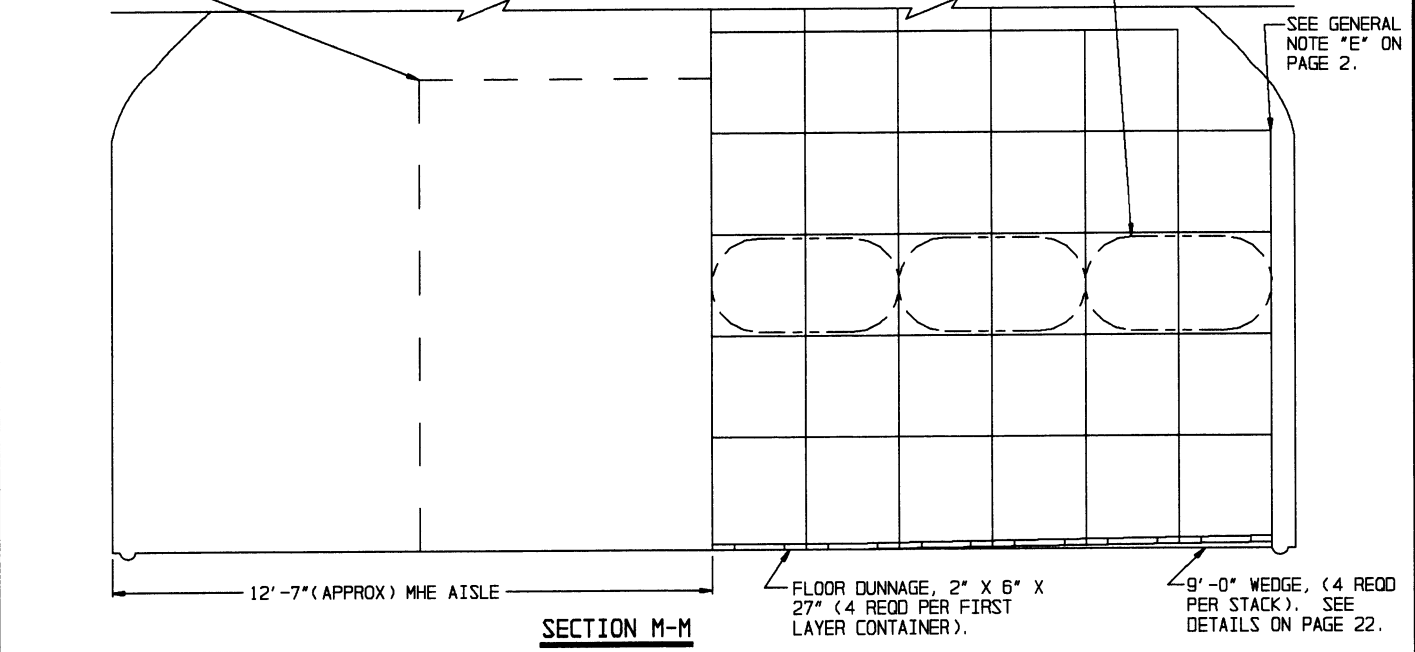
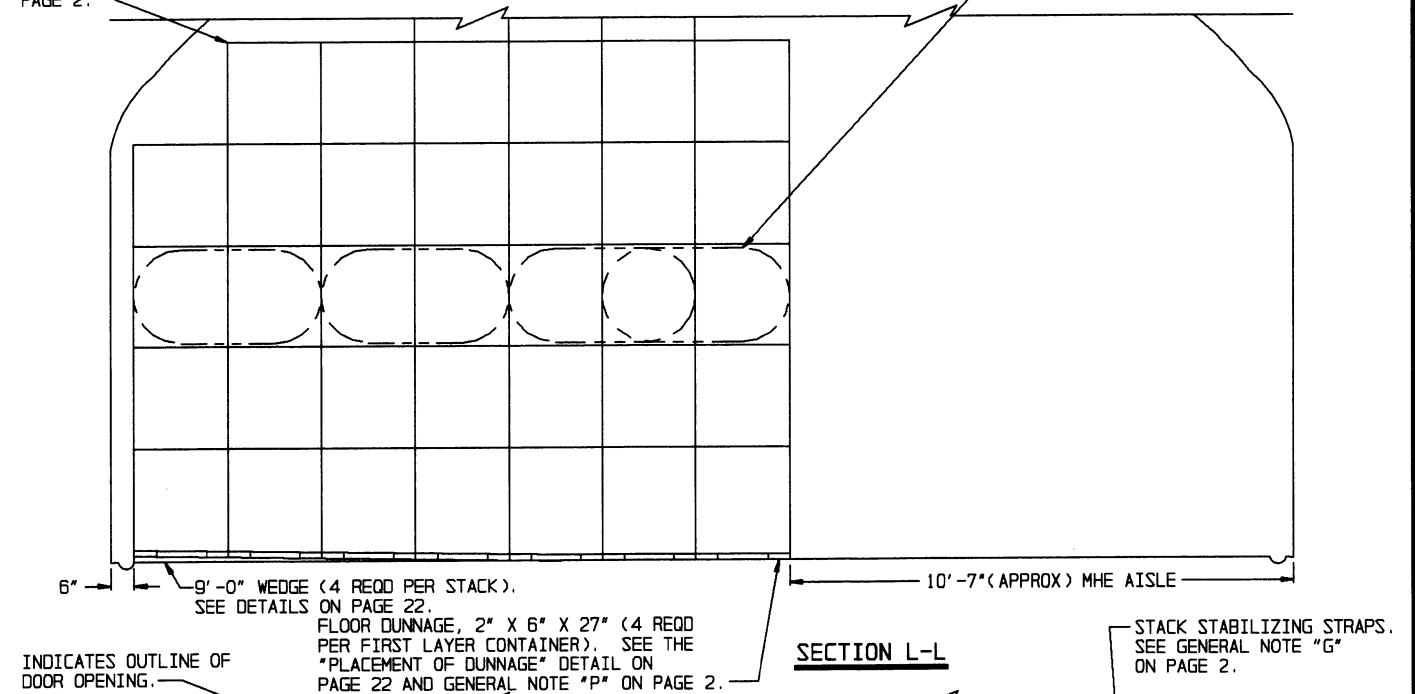
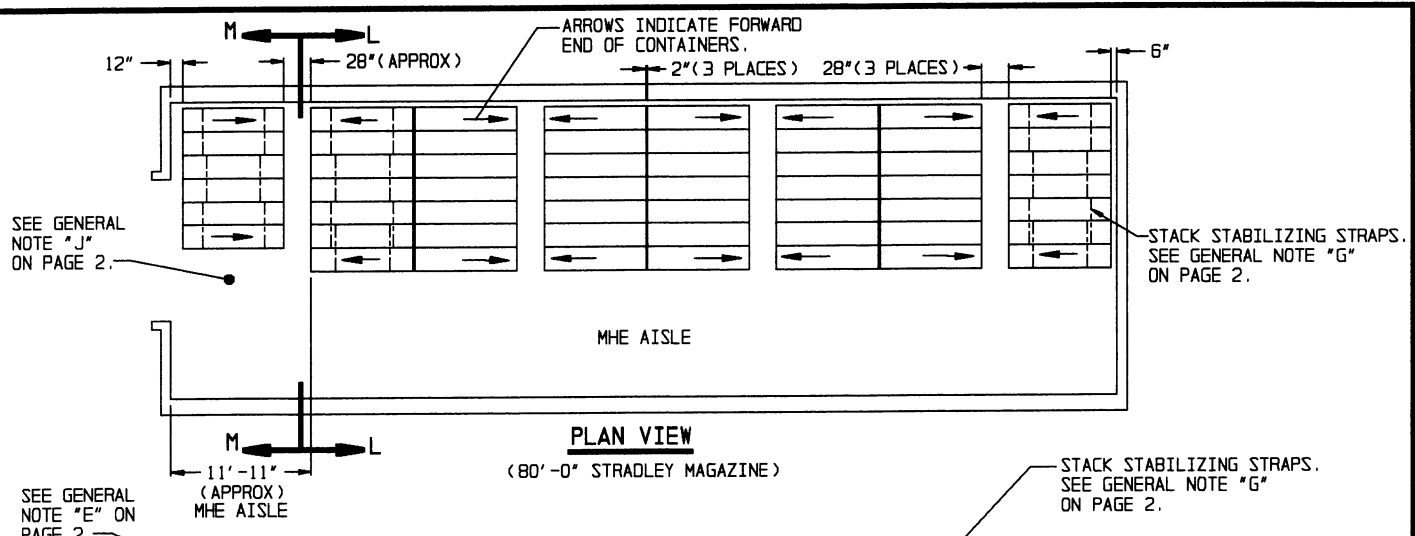
FOR "GENERAL NOTES" AND "MATERIAL SPECIFICATIONS", SEE PAGE 2.

SPECIAL NOTES FOR MULTIPLE-LOT STORAGE

1. THE STORAGE PROCEDURES AS SPECIFIED CAN BE ADAPTED FOR USE IN MULTIPLE-LOT STORAGE. EACH STACK CAN CONSIST OF ONE OR MORE LOTS, EXCEPT THAT CONTAINERS OF ONE LOT WILL NOT BE STACKED ON TOP OF CONTAINERS OF ANOTHER LOT. GENERALLY, THE LARGEST LOT SHOULD BE STORED TOWARD THE REAR OF THE MAGAZINE.
2. EACH LOT WITHIN THE MAGAZINE MUST BE "ACCESSIBLE" FOR MOVEMENT BY MHE. A SINGLE-LOT OF CONTAINERS IS CONSIDERED "ACCESSIBLE" IF NO MORE THAN TWELVE (12) "LIFTS" OF ANOTHER LOT OR LOTS HAVE TO BE MADE TO GAIN ACCESS TO THAT LOT. THE TERM "LIFT" MEANS HANDLING AND MOVING NOT MORE THAN TWO (2) SINGLE CONTAINERS OR ONE (1) FLEET ISSUE UNIT AT ONE TIME.
3. INSPECTION/INVENTORY AISLES AND OTHER CRITERIA SPECIFIED IN THE GENERAL NOTES ON PAGE 2 MUST BE COMPLIED WITH FOR MULTIPLE-LOT STORAGE.
4. LOT IDENTITY AND ACCOUNTABILITY MUST BE MAINTAINED FOR ALL LOTS STORED WITHIN THE MAGAZINE.

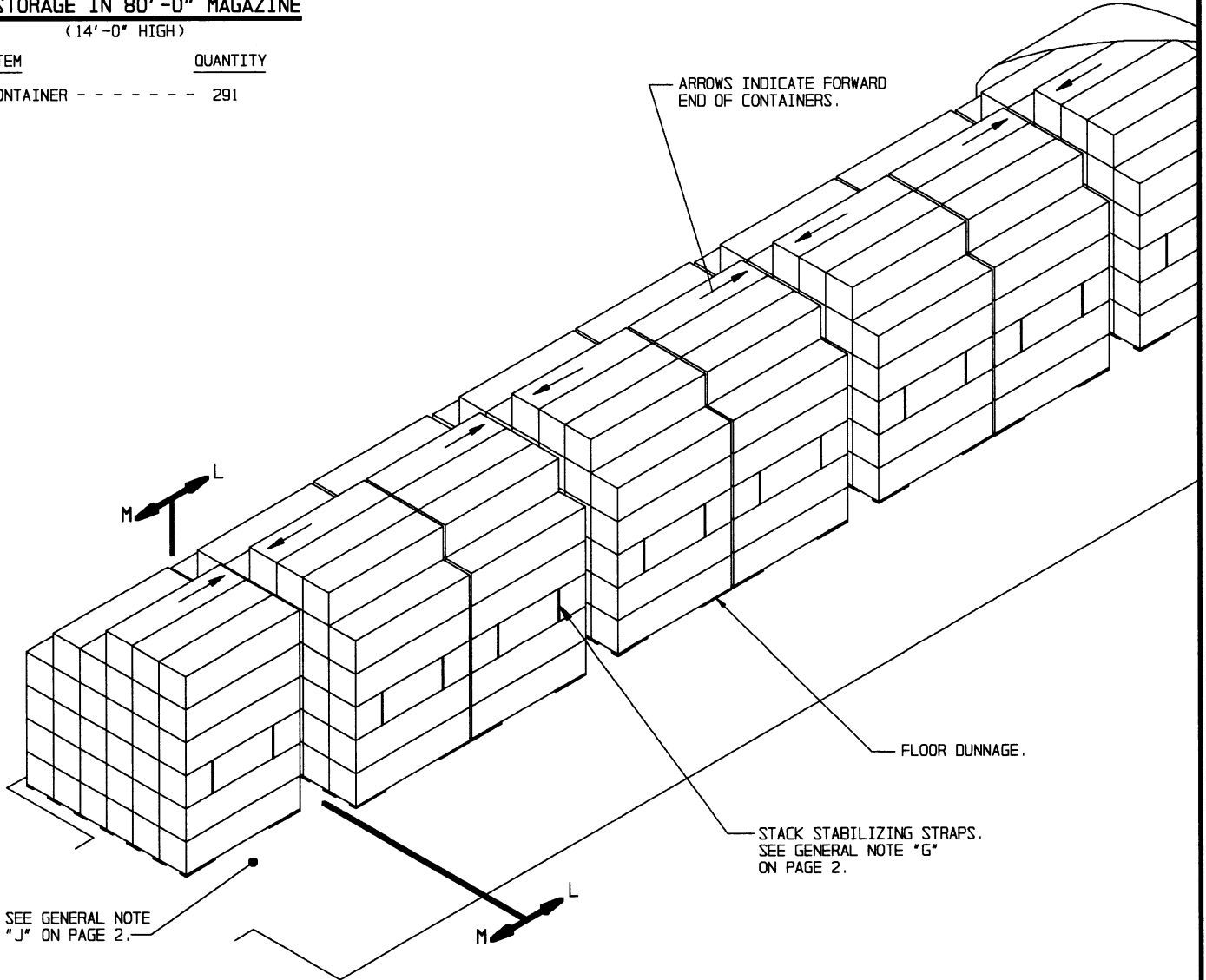
BILL OF MATERIAL			
9'-0" WEDGES (PER STACK)	2" X 6" X 27" FLOOR DUNNAGE * (PER FIRST LAYER CONTAINER)		
4 REQD	4 REQD	9 LINEAR FEET	9 BOARD FEET

* SEE GENERAL NOTE "P" ON PAGE 2.



STORAGE IN 80'-0" MAGAZINE
(14'-0" HIGH)

ITEM	QUANTITY
CONTAINER - - - - -	291



ISOMETRIC VIEW
(80'-0" MAGAZINE)

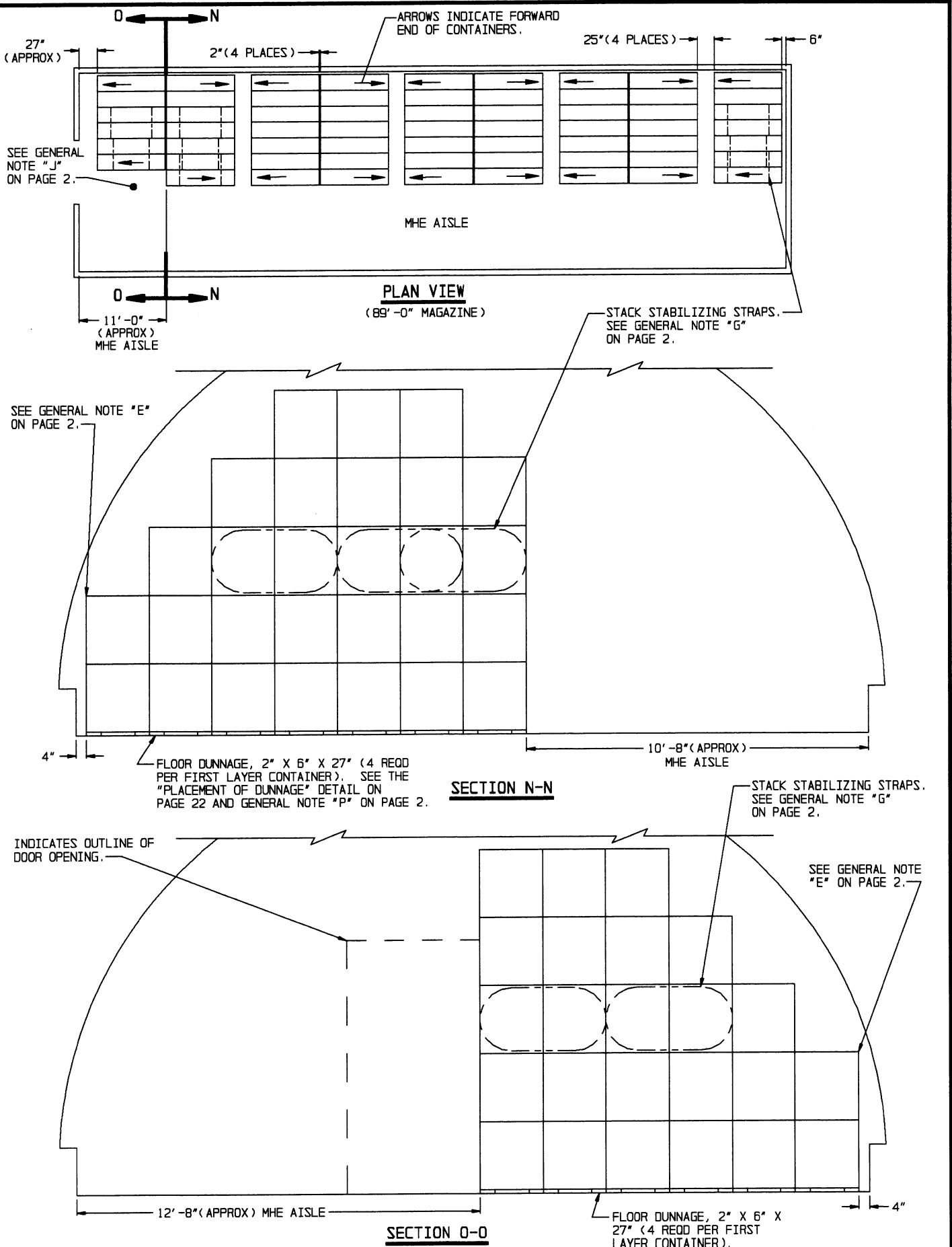
FOR "GENERAL NOTES" AND "MATERIAL SPECIFICATIONS", SEE PAGE 2.

SPECIAL NOTES FOR MULTIPLE-LOT STORAGE

1. THE STORAGE PROCEDURES AS SPECIFIED CAN BE ADAPTED FOR USE IN MULTIPLE-LOT STORAGE. EACH STACK CAN CONSIST OF ONE OR MORE LOTS, EXCEPT THAT CONTAINERS OF ONE LOT WILL NOT BE STACKED ON TOP OF CONTAINERS OF ANOTHER LOT. GENERALLY, THE LARGEST LOT SHOULD BE STORED TOWARD THE REAR OF THE MAGAZINE.
2. EACH LOT WITHIN THE MAGAZINE MUST BE "ACCESSIBLE" FOR MOVEMENT BY MHE. A SINGLE-LOT OF CONTAINERS IS CONSIDERED "ACCESSIBLE" IF NO MORE THAN TWELVE (12) "LIFTS" OF ANOTHER LOT OR LOTS HAVE TO BE MADE TO GAIN ACCESS TO THAT LOT. THE TERM "LIFT" MEANS HANDLING AND MOVING NOT MORE THAN TWO (2) SINGLE CONTAINERS OR ONE (1) FLEET ISSUE UNIT AT ONE TIME.
3. INSPECTION/INVENTORY AISLES AND OTHER CRITERIA SPECIFIED IN THE GENERAL NOTES ON PAGE 2 MUST BE COMPLIED WITH FOR MULTIPLE-LOT STORAGE.
4. LOT IDENTITY AND ACCOUNTABILITY MUST BE MAINTAINED FOR ALL LOTS STORED WITHIN THE MAGAZINE.

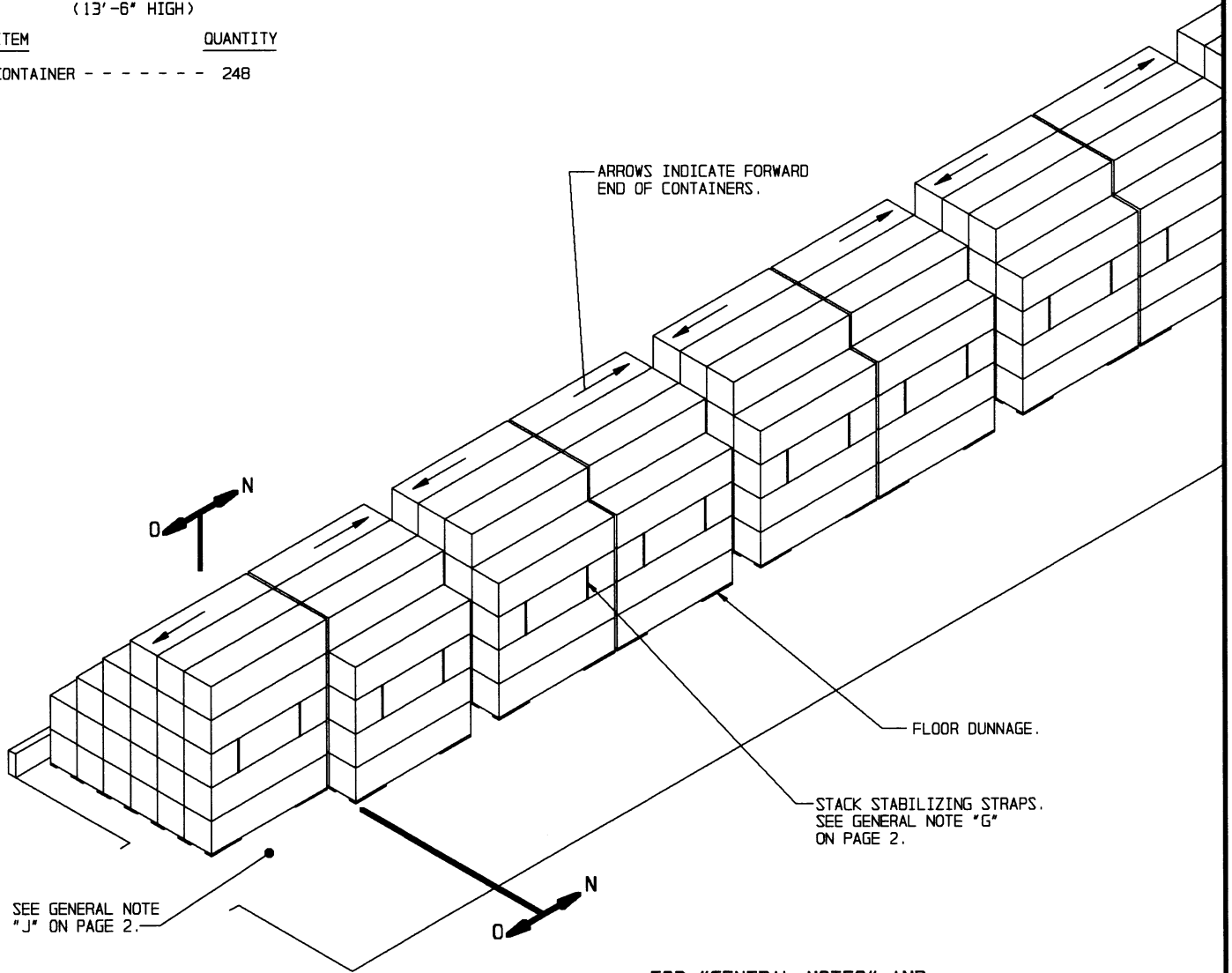
BILL OF MATERIAL			
9'-0" WEDGES (PER STACK)	2" X 6" X 27" FLOOR DUNNAGE * (PER FIRST LAYER CONTAINER)		
4 REOD	4 REOD	9 LINEAR FEET	9 BOARD FEET

* SEE GENERAL NOTE "P" ON PAGE 2.



STORAGE IN 89'-0" MAGAZINE
(13'-6" HIGH)

ITEM	QUANTITY
CONTAINER - - - - -	248



ISOMETRIC VIEW
(89'-0" MAGAZINE)

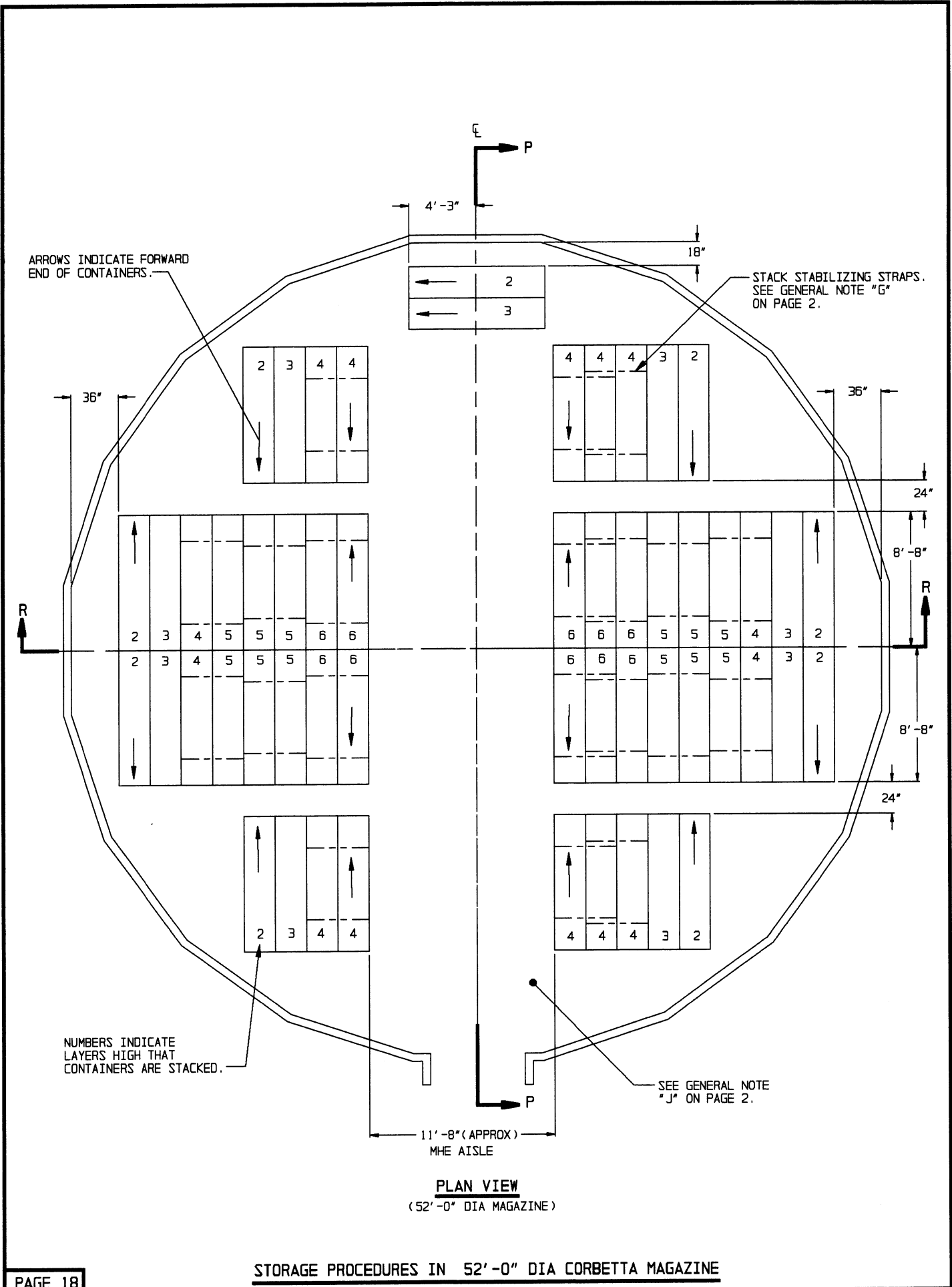
FOR "GENERAL NOTES" AND "MATERIAL SPECIFICATIONS", SEE PAGE 2.

BILL OF MATERIAL		
2" X 6" X 27" FLOOR DUNNAGE *		
(PER FIRST LAYER CONTAINER)		
4 REQD	9 LINEAR FEET	9 BOARD FEET

* SEE GENERAL NOTE "P" ON PAGE 2.

SPECIAL NOTES FOR MULTIPLE-LOT STORAGE

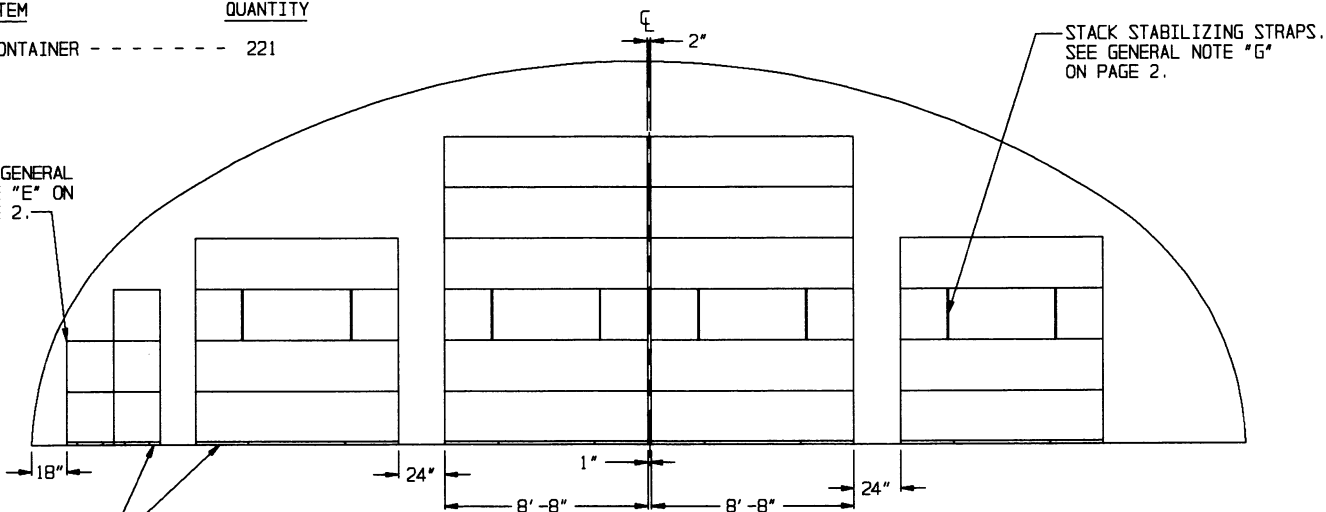
1. THE STORAGE PROCEDURES AS SPECIFIED CAN BE ADAPTED FOR USE IN MULTIPLE-LOT STORAGE. EACH STACK CAN CONSIST OF ONE OR MORE LOTS, EXCEPT THAT CONTAINERS OF ONE LOT WILL NOT BE STACKED ON TOP OF CONTAINERS OF ANOTHER LOT. GENERALLY, THE LARGEST LOT SHOULD BE STORED TOWARD THE REAR OF THE MAGAZINE.
2. EACH LOT WITHIN THE MAGAZINE MUST BE "ACCESSIBLE" FOR MOVEMENT BY MHE. A SINGLE-LOT OF CONTAINERS IS CONSIDERED "ACCESSIBLE" IF NO MORE THAN TWELVE (12) "LIFTS" OF ANOTHER LOT OR LOTS HAVE TO BE MADE TO GAIN ACCESS TO THAT LOT. THE TERM "LIFT" MEANS HANDLING AND MOVING NOT MORE THAN TWO (2) SINGLE CONTAINERS OR ONE (1) FLEET ISSUE UNIT AT ONE TIME.
3. INSPECTION/INVENTORY AISLES AND OTHER CRITERIA SPECIFIED IN THE GENERAL NOTES ON PAGE 2 MUST BE COMPLIED WITH FOR MULTIPLE-LOT STORAGE.
4. LOT IDENTITY AND ACCOUNTABILITY MUST BE MAINTAINED FOR ALL LOTS STORED WITHIN THE MAGAZINE.



STORAGE IN 52'-0" DIA MAGAZINE

ITEM	QUANTITY
CONTAINER - - - - -	221

SEE GENERAL NOTE "E" ON PAGE 2.

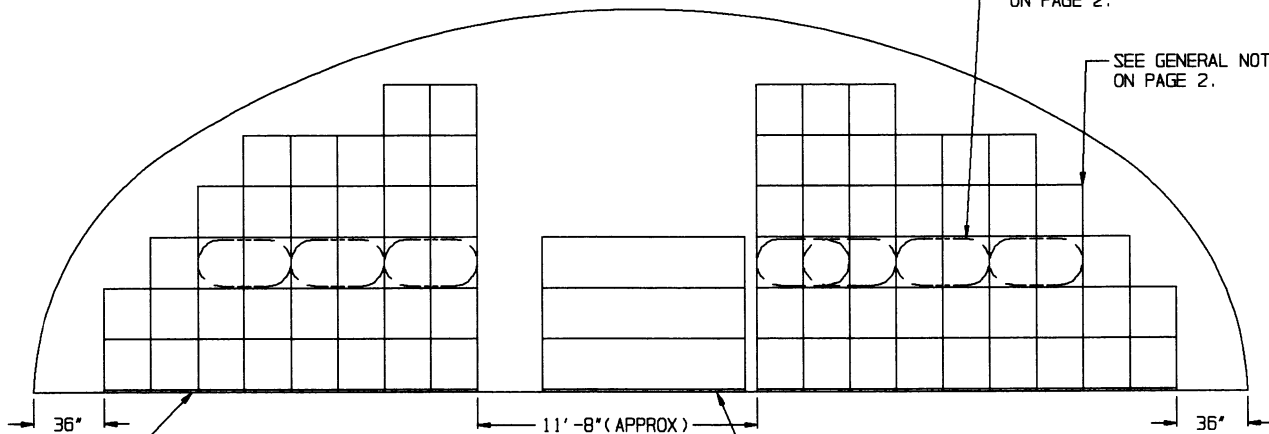


FLOOR DUNNAGE, 2" X 6" X 27" (4 REQD PER FIRST LAYER CONTAINER). SEE THE "PLACEMENT OF DUNNAGE" DETAIL ON PAGE 22 AND GENERAL NOTE "P" ON PAGE 2.

SECTION P-P

STACK STABILIZING STRAPS. SEE GENERAL NOTE "G" ON PAGE 2.

SEE GENERAL NOTE "E" ON PAGE 2.



FLOOR DUNNAGE, 2" X 6" X 27" (4 REQD PER FIRST LAYER CONTAINER). SEE THE "PLACEMENT OF DUNNAGE" DETAIL ON PAGE 22 AND GENERAL NOTE "P" ON PAGE 2.

SECTION R-R

FLOOR DUNNAGE, 2" X 6" X 27" (4 REQD PER FIRST LAYER CONTAINER).

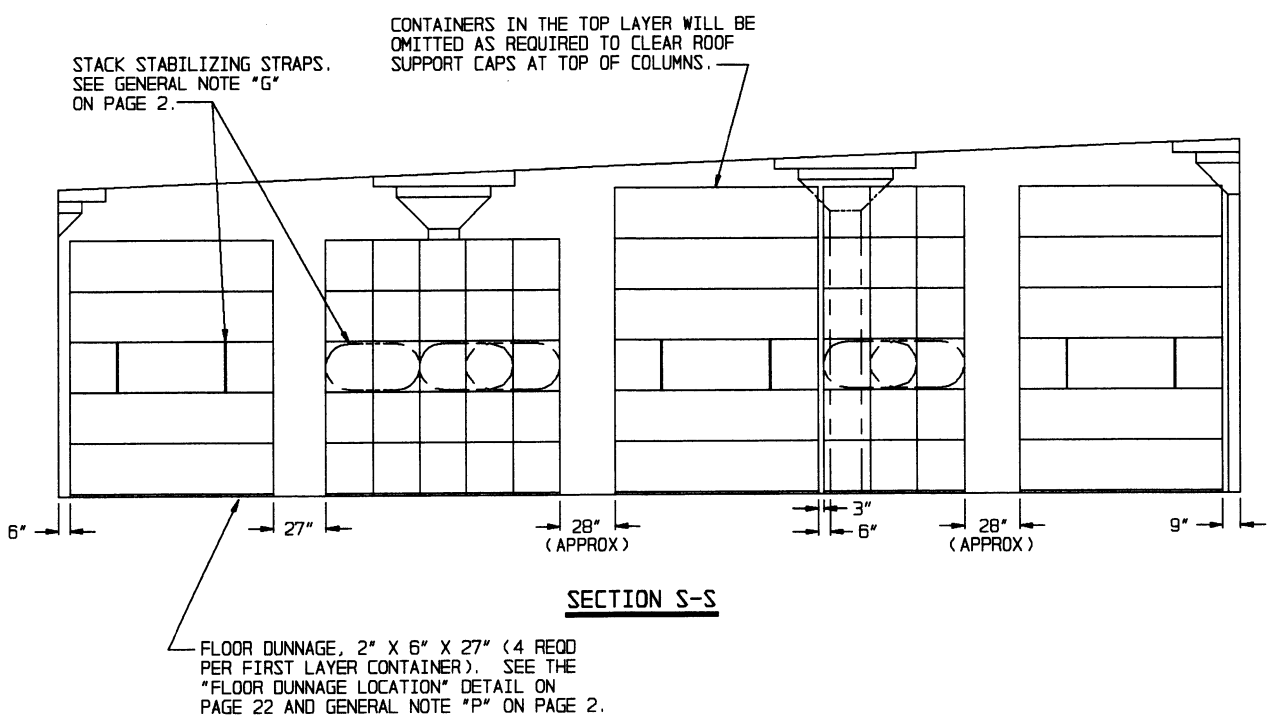
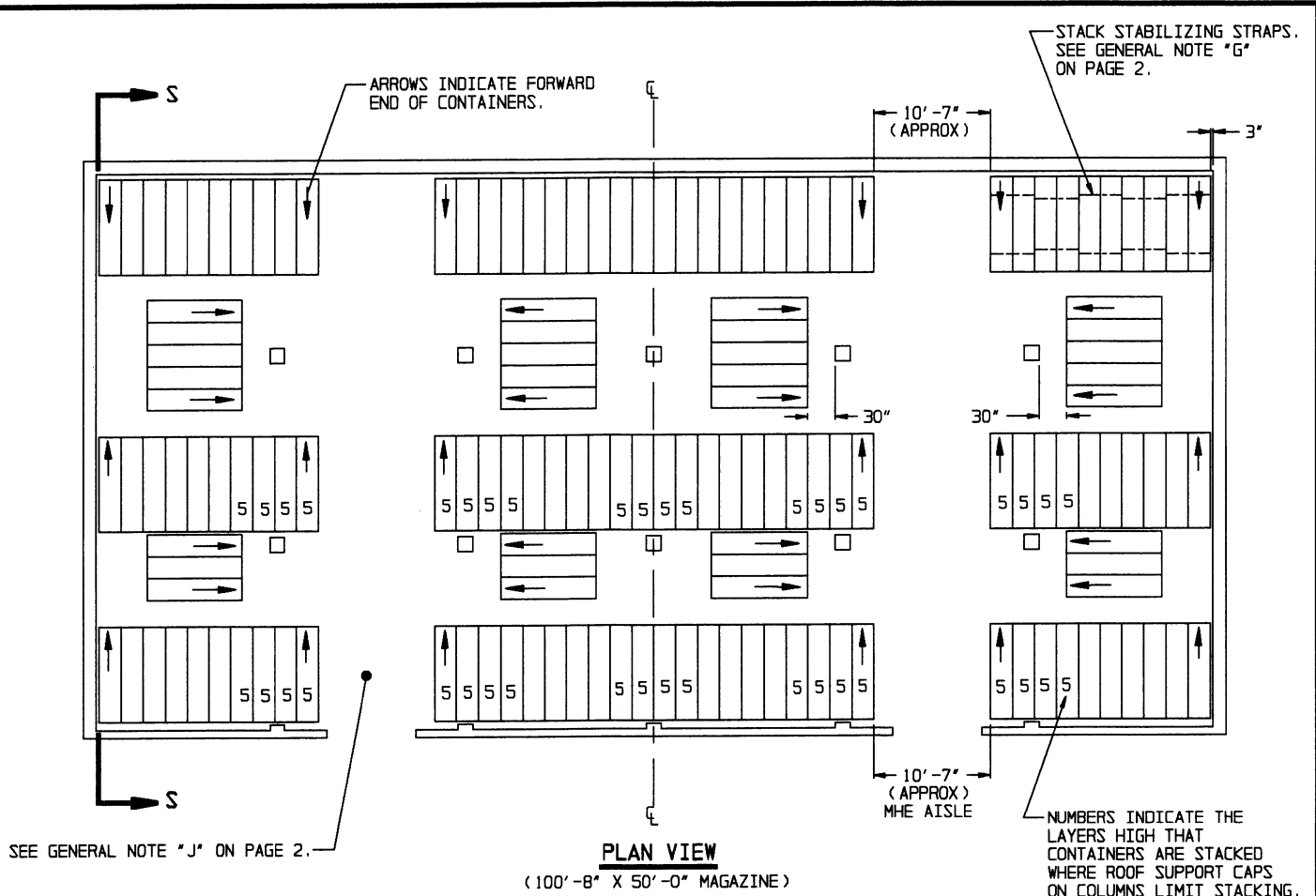
SPECIAL NOTES FOR MULTIPLE-LOT STORAGE

1. THE STORAGE PROCEDURES AS SPECIFIED CAN BE ADAPTED FOR USE IN MULTIPLE-LOT STORAGE. EACH STACK CAN CONSIST OF ONE OR MORE LOTS, EXCEPT THAT CONTAINERS OF ONE LOT WILL NOT BE STACKED ON TOP OF CONTAINERS OF ANOTHER LOT. GENERALLY, THE LARGEST LOT SHOULD BE STORED ON ONE SIDE OF THE MAGAZINE.
2. EACH LOT WITHIN THE MAGAZINE MUST BE "ACCESSIBLE" FOR MOVEMENT BY MHE. A SINGLE-LOT OF CONTAINERS IS CONSIDERED "ACCESSIBLE" IF NO MORE THAN TWELVE (12) "LIFTS" OF ANOTHER LOT OR LOTS HAVE TO BE MADE TO GAIN ACCESS TO THAT LOT. THE TERM "LIFT" MEANS HANDLING AND MOVING NOT MORE THAN TWO (2) SINGLE CONTAINERS OR ONE (1) FLEET ISSUE UNIT AT ONE TIME.
3. INSPECTION/INVENTORY AISLES AND OTHER CRITERIA SPECIFIED IN THE GENERAL NOTES ON PAGE 2 MUST BE COMPLIED WITH FOR MULTIPLE-LOT STORAGE.
4. LOT IDENTITY AND ACCOUNTABILITY MUST BE MAINTAINED FOR ALL LOTS STORED WITHIN THE MAGAZINE.

BILL OF MATERIAL		
2" X 6" X 27" FLOOR DUNNAGE *		
(PER FIRST LAYER CONTAINER)		
4 REQD	9 LINEAR FEET	9 BOARD FEET

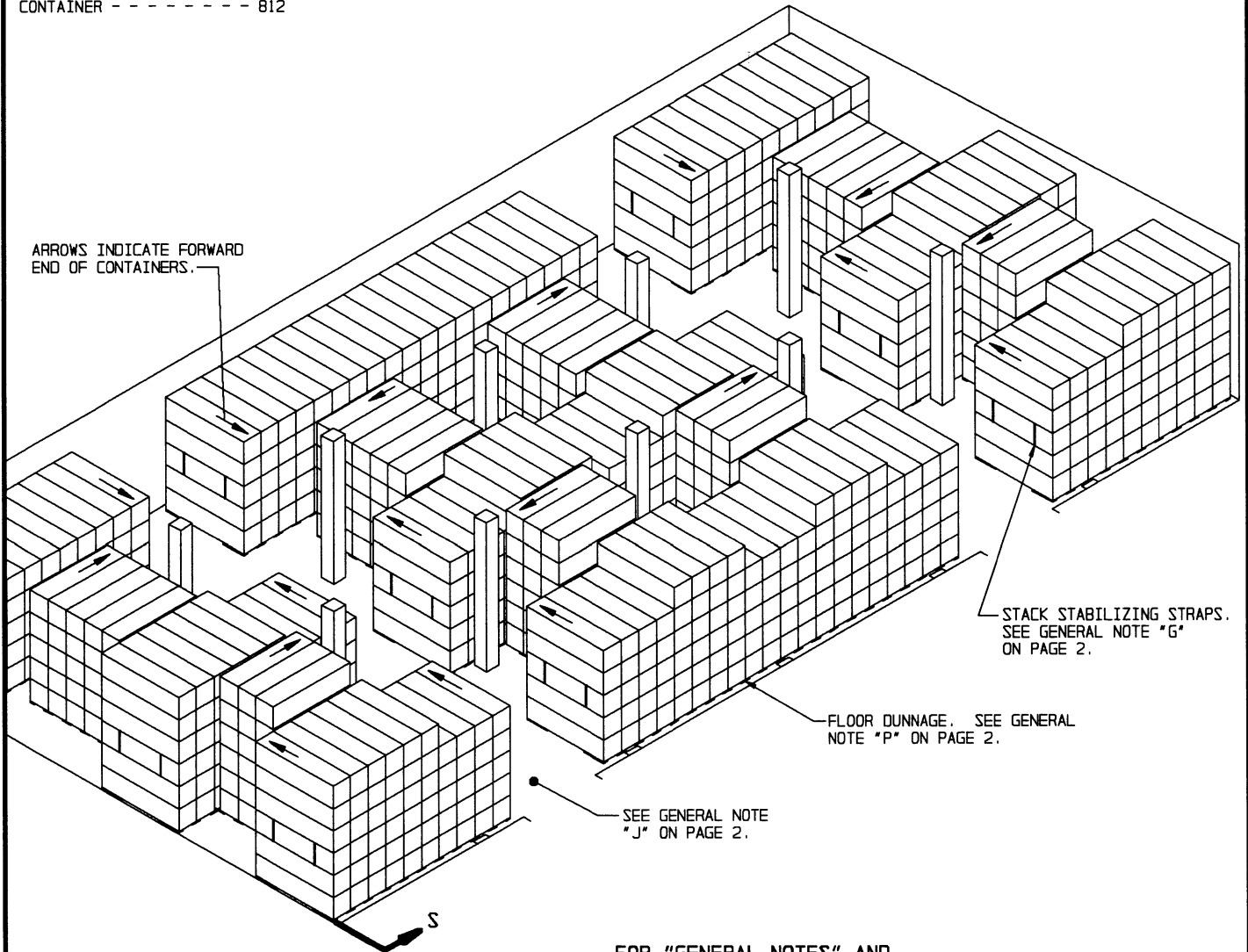
* SEE GENERAL NOTE "P" ON PAGE 2.

FOR "GENERAL NOTES" AND "MATERIAL SPECIFICATIONS", SEE PAGE 2.



STORAGE IN 100'-8" X 50'-0" MAGAZINE

ITEM	QUANTITY
CONTAINER - - - - -	812



ISOMETRIC VIEW
(100'-8" X 50'-0" MAGAZINE)

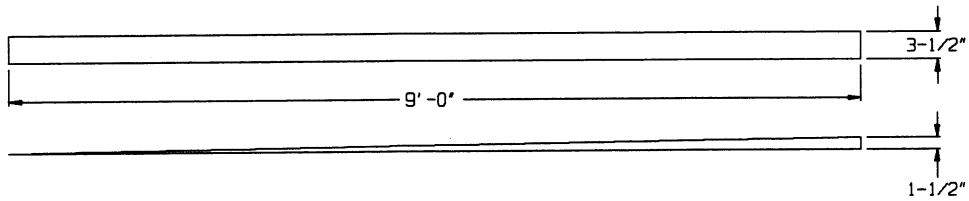
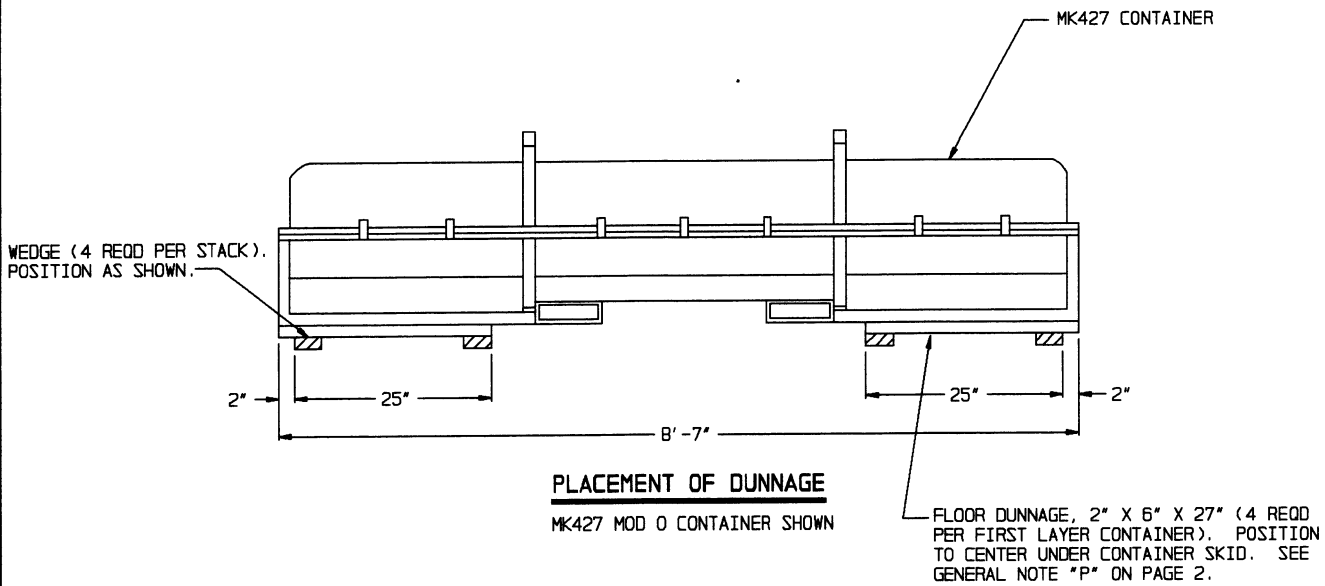
FOR "GENERAL NOTES" AND "MATERIAL SPECIFICATIONS", SEE PAGE 2.

SPECIAL NOTES FOR MULTIPLE-LOT STORAGE

1. THE STORAGE PROCEDURES AS SPECIFIED CAN BE ADAPTED FOR USE IN MULTIPLE-LOT STORAGE. EACH STACK CAN CONSIST OF ONE OR MORE LOTS, EXCEPT THAT CONTAINERS OF ONE LOT WILL NOT BE STACKED ON TOP OF CONTAINERS OF ANOTHER LOT. GENERALLY, THE LARGEST LOT SHOULD BE STORED TOWARD THE REAR OR ON ONE SIDE OF THE MAGAZINE.
2. EACH LOT WITHIN THE MAGAZINE MUST BE "ACCESSIBLE" FOR MOVEMENT BY MHE. A SINGLE-LOT OF CONTAINERS IS CONSIDERED "ACCESSIBLE" IF NO MORE THAN TWENTY-FOUR (24) "LIFTS" OF ANOTHER LOT OR LOTS HAVE TO BE MADE TO GAIN ACCESS TO THAT LOT. THE TERM "LIFT" MEANS HANDLING AND MOVING NOT MORE THAN TWO (2) SINGLE CONTAINERS OR ONE (1) FLEET ISSUE UNIT AT ONE TIME.
3. INSPECTION/INVENTORY AISLES AND OTHER CRITERIA SPECIFIED IN THE GENERAL NOTES ON PAGE 2 MUST BE COMPLIED WITH FOR MULTIPLE-LOT STORAGE.
4. LOT IDENTITY AND ACCOUNTABILITY MUST BE MAINTAINED FOR ALL LOTS STORED WITHIN THE MAGAZINE.

BILL OF MATERIAL		
2" X 6" X 27" FLOOR DUNNAGE *		
(PER FIRST LAYER CONTAINER)		
4 REQD	9 LINEAR FEET	9 BOARD FEET

* SEE GENERAL NOTE "P" ON PAGE 2.



WEDGE DETAIL

NOMINAL SIZED 2" X 4" X 9'-0" MATERIAL CUT AS DETAILED.
NOTE: IF DESIRED 9'-0" WEDGES WHICH MAY BE ON HAND MAY BE USED. THE QUANTITY REQUIRED IS AS SPECIFIED WITHIN THE SECTION VIEW.