

STORAGE IN APPROVED MAGAZINES OF THE HARM MISSILE PACKED IN CNU-355/E METAL CONTAINER

INDEX

ITEM	PAGE(S)
GENERAL NOTES AND MATERIAL SPECIFICATIONS - - - - -	2
CONTAINER DETAIL - - - - -	3
STORAGE PROCEDURES:	
81'-0", 60'-8" AND 40'-4" L X 26'-6" W X 12'-9" H IGLOO MAGAZINES - - -	4,5
81'-2" L X 26'-6" W X 12'-1-3/4" H ARCH TYPE MAGAZINE - - - - -	6,7
80'-0" AND 40'-0" L X 25'-0" W X 12'-1-3/4" H ARCH TYPE MAGAZINE - - -	8,9
80'-0" AND 40'-0" L X 25'-0" W X 11'-0" H ARCH TYPE MAGAZINE - - - - -	10,11
80'-0" AND 40'-0" L X 25'-0" W X 10'-0" H ARCH TYPE MAGAZINE - - - - -	12,13
80'-0" L X 25'-0" W X 14'-0" H STRADLEY MAGAZINE - - - - -	14,15
89'-0" L X 24'-11" W X 13'-6" H STEEL ARCH MAGAZINE - - - - -	16,17
52'-0" DIA CORBETTA MAGAZINE - - - - -	18,19
100'-8" L X 50'-0" W RECTANGULAR MAGAZINE - - - - -	20,21
60'-0" L X 40'-0" W X 15'-0" H TYPE II BUNKER MAGAZINE - - - - -	22,23
60'-0" L X 40'-0" W X 11'-0" H TYPE III BUNKER MAGAZINE - - - - -	24,25
40'-0" L X 20'-0" W X 11'-0" H TYPE IV BUNKER MAGAZINE - - - - -	26,27
DETAILS - - - - -	28

U.S. ARMY MATERIEL COMMAND DRAWING

APPROVED, U.S. ARMY ARMAMENT, MUNITIONS AND
CHEMICAL COMMAND

mJR
David J. Piskovik

SMCAR-ESK

APPROVED BY ORDER OF COMMANDING GENERAL, U.S.
ARMY MATERIEL COMMAND

William F. Ernst

U.S. ARMY DEFENSE AMMUNITION CENTER AND SCHOOL

DRAFTSMAN

D. WHITMORE

ENGINEER

M. DAEUMER

SUPPLY ENGINEERING
DIVISION

Thomas J. Michels

LOGISTICS ENGINEERING
OFFICE

Thomas J. Michels

FEBRUARY 1991

CLASS

DIVISION

DRAWING

FILE

19

48

7089

SP 1-3-4-14
22J21

DO NOT SCALE

GENERAL NOTES

(GENERAL NOTES CONTINUED)

- A. THIS DOCUMENT HAS BEEN PREPARED AND ISSUED IN ACCORDANCE WITH AR 740-1 AND AUGMENTS TM 743-200-1 (CHAPTER 5).
- B. THE STORAGE PROCEDURES SPECIFIED HEREIN ARE APPLICABLE TO THE HARM MISSILE PACKED IN THE CNU-355/E CONTAINER. SUBSEQUENT REFERENCE TO CONTAINER MEANS THE CNU-355/E CONTAINER WITH CONTENTS. FOR DETAILS OF THE CONTAINER, SEE U.S. AIR FORCE DRAWING NO. 808183 AND THE DETAIL ON PAGE 3.

CONTAINER DIMENSIONS - - - 15'-0" L X 35" W X 22.64" H
STACKING HEIGHT - - - - - 20.43"
GROSS WEIGHT - - - - - 2,400 LBS (APPROX)
CUBE - - - - - 82.5 CUBIC FEET (APPROX)

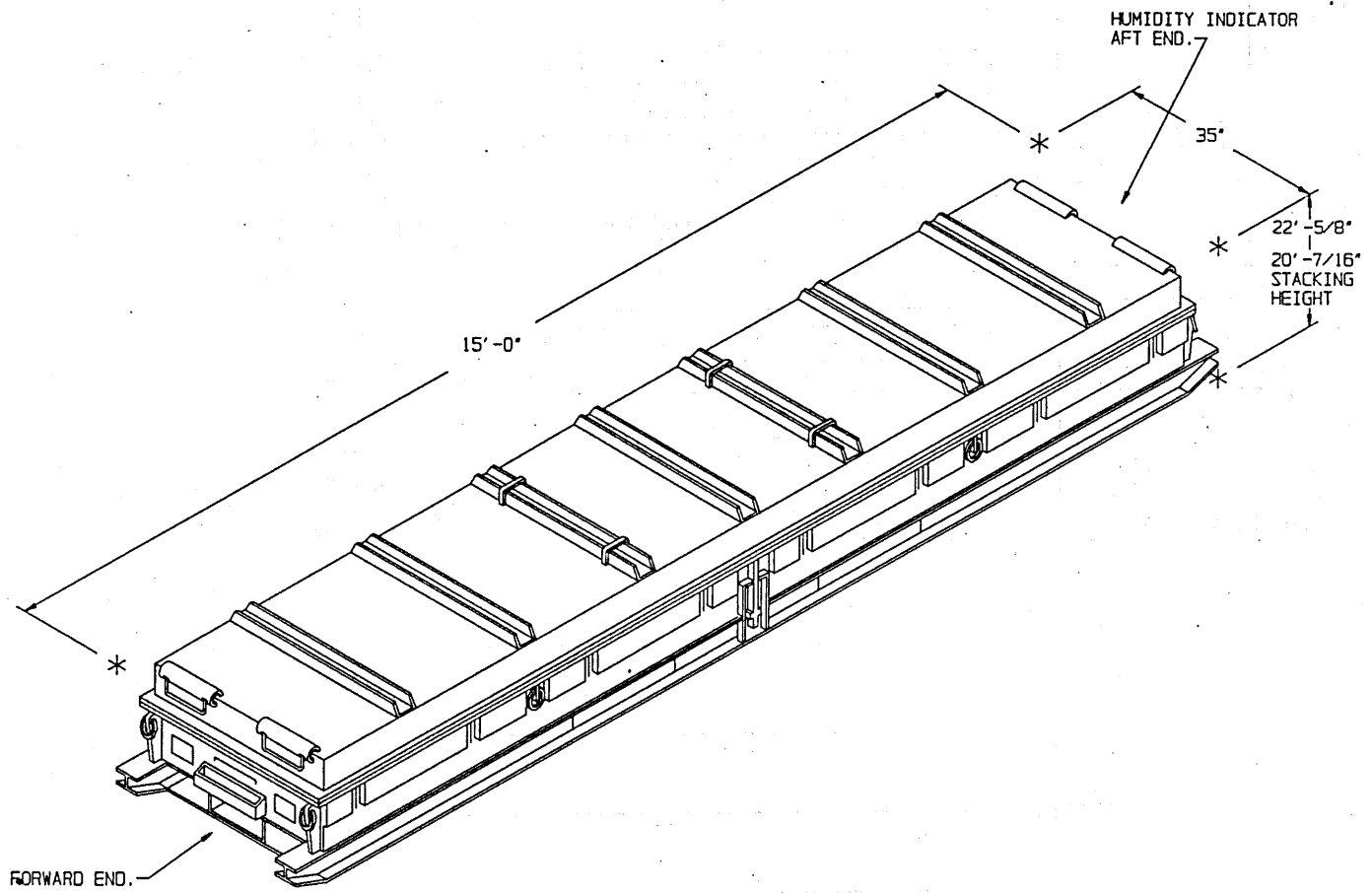
CAUTION: THIS ITEM IS IN A "PROPULSIVE STATE" AND MUST BE STORED WITH THE FORWARD END FACING TOWARD EITHER SIDE WALL AND/OR THE REAR WALL AS INDICATED BY THE DIRECTIONAL ARROWS ON THE STORAGE VIEWS. ADDITIONALLY, CONTAINERS MUST NOT BE STACKED MORE THAN SEVEN (7) CONTAINERS HIGH.
- C. THE STORAGE PROCEDURES DEPICTED WITHIN THIS DOCUMENT ARE APPLICABLE FOR STORAGE IN VARIOUS TYPES AND SIZES OF MAGAZINES. THE STORAGE PROCEDURES DEPICTED FOR THE SPECIFIC TYPES OF MAGAZINES MAY ALSO BE UTILIZED TO STORE CONTAINERS IN OTHER TYPES OF APPROVED MAGAZINES. MINOR ADJUSTMENTS MAY BE MADE TO FACILITATE STORAGE IN OTHER TYPES OF MAGAZINES, HOWEVER, THE BASIC PRINCIPLES AS DEPICTED HEREIN WILL BE FOLLOWED.
- D. CAUTION: THE ALLOWABLE "EXPLOSIVE LIMIT" ESTABLISHED FOR A MAGAZINE IS NOT TO BE EXCEEDED. THIS LIMITATION MAY REQUIRE A QUANTITY REDUCTION FROM THE STORAGE AS SHOWN.
- E. STORED CONTAINERS MUST NOT CONTACT THE WALLS, COLUMNS OR BEAMS OF A MAGAZINE. TO PROVIDE FOR THIS MANDATORY CLEARANCE REQUIREMENT, CONTAINERS MAY BE ELIMINATED FROM THE DEPICTED STORAGE PATTERN AS NECESSARY.
- F. AISLE DIMENSIONS SHOWN FOR STORAGE PROCEDURES IN MAGAZINES MAY BE ADJUSTED TO SUIT LOCAL CONDITIONS AND/OR AVAILABLE MATERIALS HANDLING EQUIPMENT (MHE); HOWEVER, AN 18" MINIMUM INSPECTION AISLE MUST BE MAINTAINED AT THE END OF THE CONTAINERS WHERE HUMIDITY INDICATORS ARE LOCATED.
- G. THE MAXIMUM FLOOR LOAD FOR A MAGAZINE AS PRESCRIBED BY LOCAL STANDARDS WILL NOT BE EXCEEDED.
- H. IF AVAILABLE MHE PERMITS, ADDITIONAL CONTAINERS MAY BE STORED WITHIN THE MHE AREA AND/OR OTHER AVAILABLE AREA OF THE MAGAZINE.
- J. THE HEIGHT OF THE PACKAGE GUARD ON SOME FORKLIFT TRUCKS MAY NOT PERMIT PLACEMENT OF SOME TOP LAYER CONTAINERS IN THE STACKS SHOWN IN THE STORAGE VIEWS HEREIN, UNLESS TWO UPPER CONTAINERS ARE HANDLED AS ONE LIFT OR THE PACKAGE GUARD IS REMOVED (TINE CARRIAGE WILL IN MOST INSTANCES PROVIDE ADEQUATE PACKAGE GUARD PROTECTION). ONLY A FORKLIFT TRUCK OF ADEQUATE CAPACITY WILL BE USED WHEN LIFTING TWO CONTAINERS AS ONE LIFT.
- K. IF THE QUANTITY OF CONTAINERS FOR A MAGAZINE IS TO BE REDUCED FROM WHAT IS SHOWN HEREIN DUE TO THE PERMITTED "EXPLOSIVE LIMIT" OR FOR ANY OTHER REASON, SUCH AS A LIMITED QUANTITY TO BE STORED, THE DELINEATED PROCEDURES ARE TO BE ADJUSTED BY OMITTING STACKS RATHER THAN BY OMITTING LAYERS.
- L. PORTIONS OF THE MAGAZINES, SUCH AS SIDEWALLS, END WALLS, AND ROOFS, HAVE NOT BEEN SHOWN IN THE STORAGE VIEWS FOR CLARITY PURPOSES.
- M. CONVERSION TO METRIC EQUIVALENTS: DIMENSIONS WITHIN THIS DOCUMENT ARE EXPRESSED IN INCHES, AND WEIGHTS ARE EXPRESSED IN POUNDS. WHEN NECESSARY, THE METRIC EQUIVALENT MAY BE COMPUTED ON THE BASIS OF ONE INCH EQUALS 25.4MM, AND ONE POUND EQUALS 0.454KG.

(CONTINUED AT RIGHT)

- N. CONTAINERS PRESENTLY STORED IN ACCORDANCE WITH A PRIOR APPROVED DRAWING NEED NOT BE RE-STORED SOLELY TO CONFORM TO THE PROCEDURES SPECIFIED IN THIS DOCUMENT.
- O. OTHER COMPATIBLE ITEMS MAY BE STORED IN A MAGAZINE WHICH IS PARTIALLY FILLED WITH THE DESIGNATED ITEM.
- P. THE USE OF "FLOOR DUNNAGE" UNDER EACH FIRST-LAYER CONTAINER IS OPTIONAL, ALTHOUGH THE USE OF THIS TYPE OF DUNNAGE IS DELINEATED WITHIN THIS STORAGE PROCEDURE DRAWING. THE PURPOSE OF FLOOR DUNNAGE IS TO HELP KEEP THE RUNNERS OF A CONTAINER DRY, THUS AIDING IN PREVENTING DETERIORATION DUE TO CORROSION. THEREFORE, FLOOR DUNNAGE SHOULD BE USED WHEN STORING IN A MAGAZINE THAT IS KNOWN TO HAVE A "DAMP" FLOOR. ALSO, IN LIEU OF USING ONE-INCH THICK FLOOR DUNNAGE WHERE SPECIFIED, THE USE OF THICKER FLOOR DUNNAGE MAY BE REQUIRED, AND SHOULD BE USED, TO ACHIEVE THE DESIRED OBJECTIVE.
- Q. DUNNAGE LUMBER SPECIFIED THROUGHOUT THIS PROCEDURAL DRAWING IS OF NOMINAL SIZE. FOR EXAMPLE, 1" X 6" MATERIAL IS ACTUALLY 3/4" THICK BY 5-1/2" WIDE AND 2" X 6" MATERIAL IS ACTUALLY 1-1/2" THICK BY 5-1/2" WIDE.
- R. WHEN LOCAL STORAGE CONDITIONS ARE SUCH THAT AN AMMUNITION STORAGE MAGAZINE NET EXPLOSIVE WEIGHT LIMIT WILL BE REACHED BEFORE ALL AVAILABLE STORAGE SPACE WILL BE UTILIZED, A COMBINATION OF THE VARIOUS STORAGE PATTERNS DELINEATED HEREIN MAY BE USED TO FACILITATE INVENTORY, INSPECTION, THE USE OF MATERIALS HANDLING EQUIPMENT, SURVEILLANCE, ETC., OF THE AMMUNITION TO BE STORED WITHIN THE MAGAZINE.
- S. THE STORAGE PROCEDURES OUTLINED FOR STRADLEY MAGAZINES ON PAGES 14 AND 15 WILL BE USED WHEN STORING ITEMS COVERED BY THIS DRAWING IN OVAL ARCH MAGAZINES.

MATERIAL SPECIFICATIONS

LUMBER - - - : FED SPEC MM-L-751; DUNNAGE LUMBER, SEE TM 743-200-1.



CNU-355/E CONTAINER DETAIL

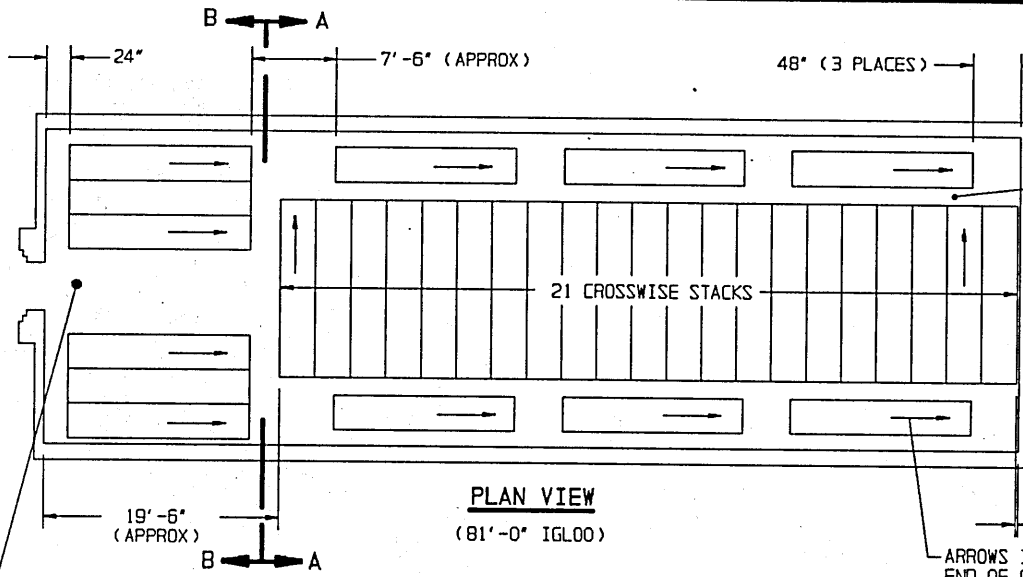
CONTAINER	-----	820 LBS (APPROX)
CUBE	-----	82.5 CU FT (APPROX)
GROSS WEIGHT	-----	2,400 LBS (APPROX)

STORAGE IN 81'-0" IGLOO

(12'-9" HIGH)

ITEM	QUANTITY
CONTAINER - - - - -	140

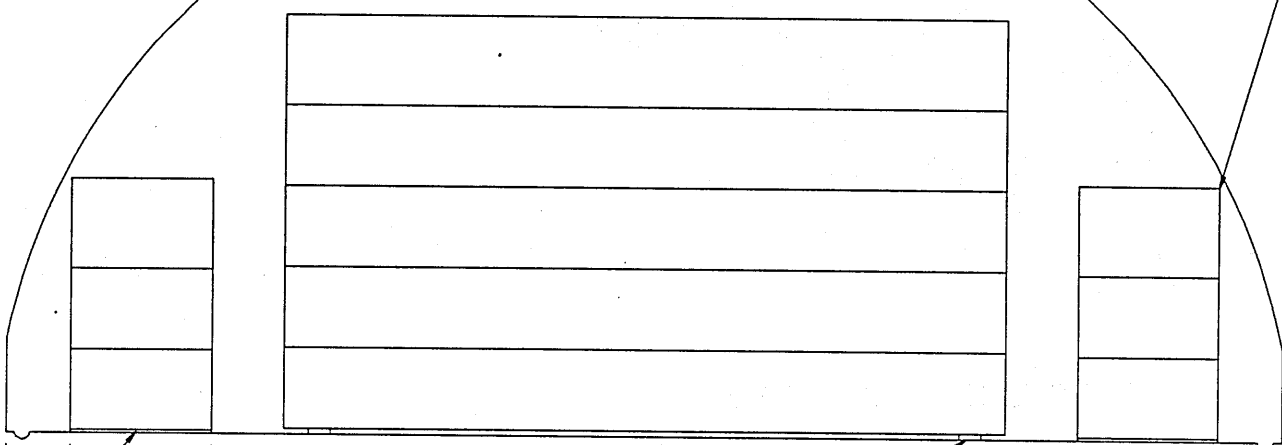
INSPECTION AISLE, SEE GENERAL NOTE "F" ON PAGE 2.



PLAN VIEW
(81'-0" IGLOO)

SEE GENERAL NOTE "H" ON PAGE 2.

SEE GENERAL NOTE "E" ON PAGE 2.

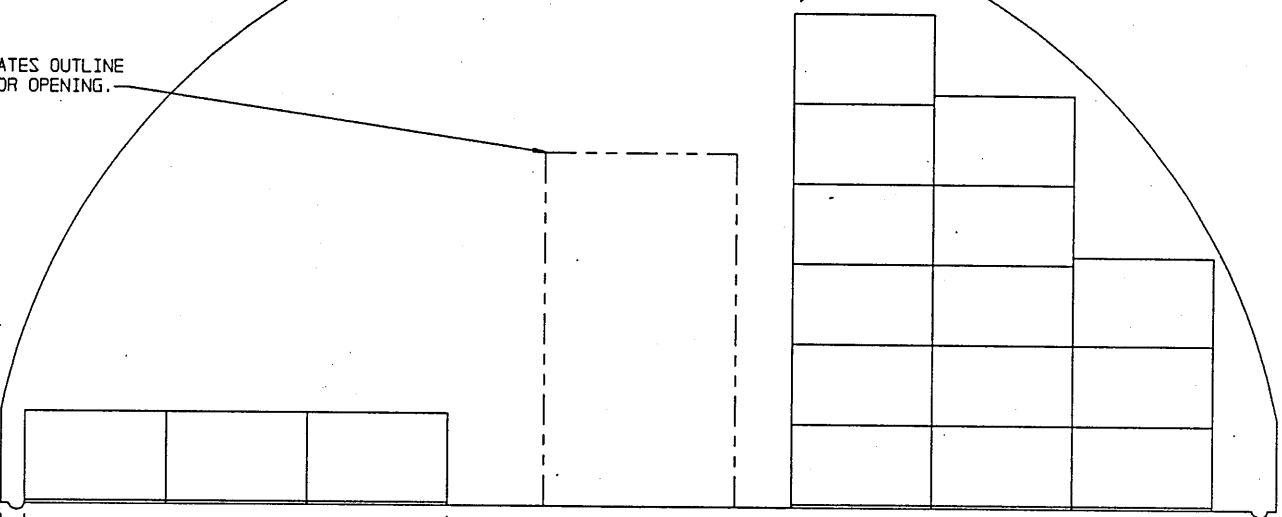


SECTION A-A

FLOOR DUNNAGE, 1" X 6" X 35" (2 REOD PER FIRST-LAYER CONTAINER). SEE THE "FLOOR DUNNAGE LOCATION" DETAIL ON PAGE 28 AND GENERAL NOTE "P" ON PAGE 2.

FLOOR DUNNAGE, 2" X 6" X 35" (2 REOD PER FIRST-LAYER CONTAINER). SEE THE "FLOOR DUNNAGE LOCATION" DETAIL ON PAGE 28 AND GENERAL NOTE "P" ON PAGE 2.

INDICATES OUTLINE OF DOOR OPENING.



SECTION B-B

STORAGE IN 60'-8" IGL00

(12'-9" HIGH)

ITEM QUANTITY

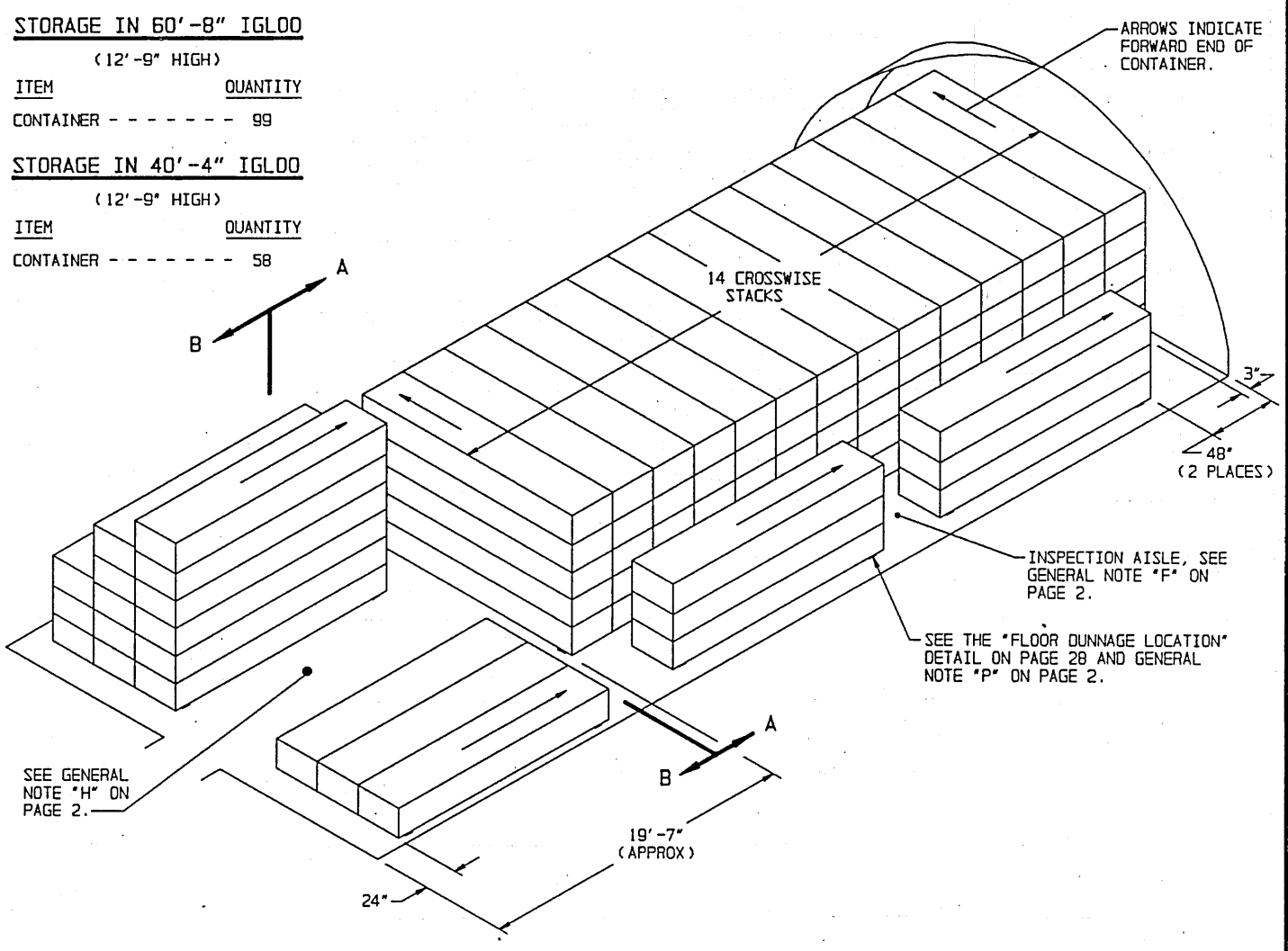
CONTAINER - - - - - 99

STORAGE IN 40'-4" IGL00

(12'-9" HIGH)

ITEM QUANTITY

CONTAINER - - - - - 58

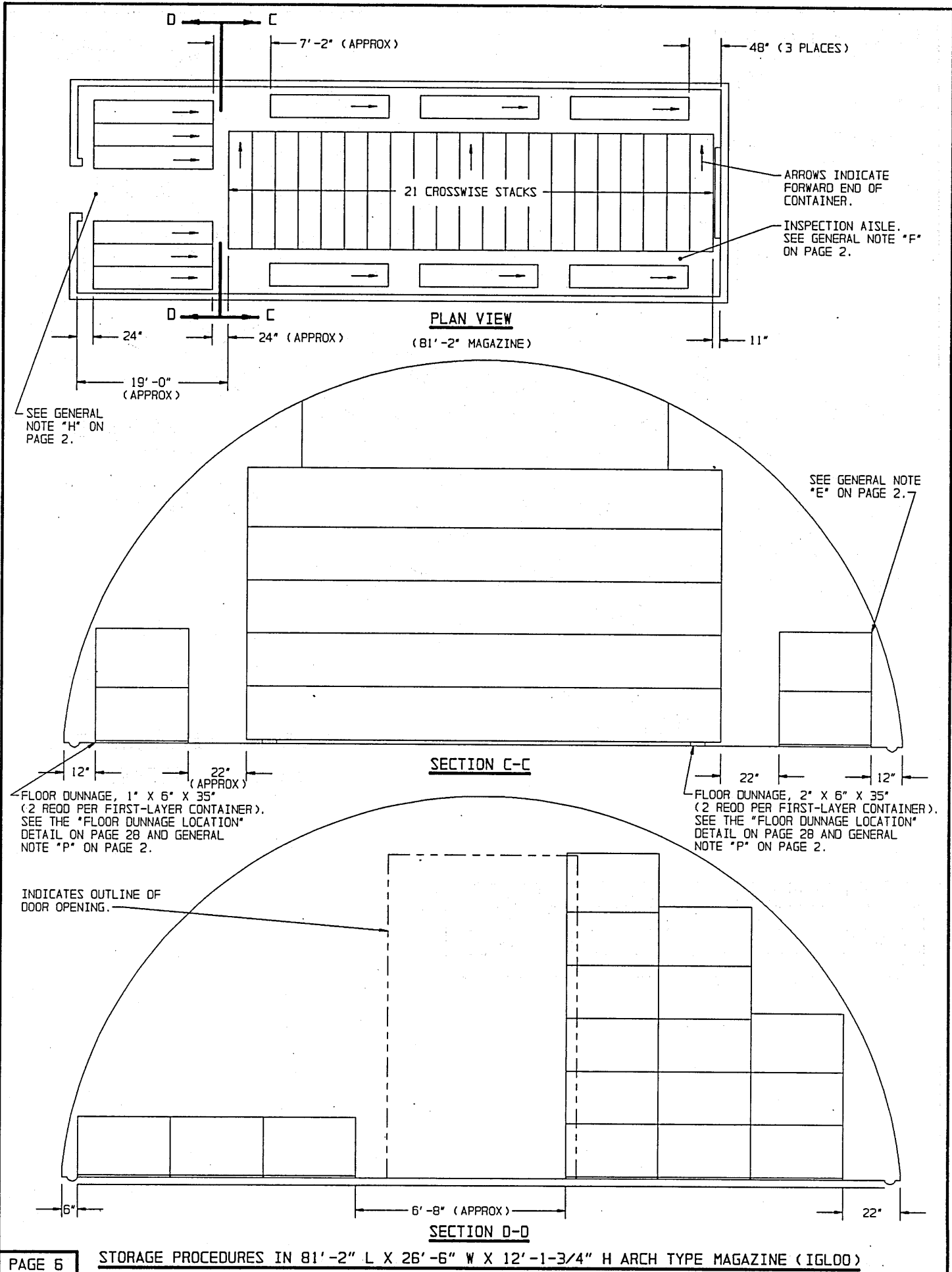


ISOMETRIC VIEW

(60'-8" IGL00)

FOR "GENERAL NOTES" AND "MATERIAL SPECIFICATIONS", SEE PAGE 2.

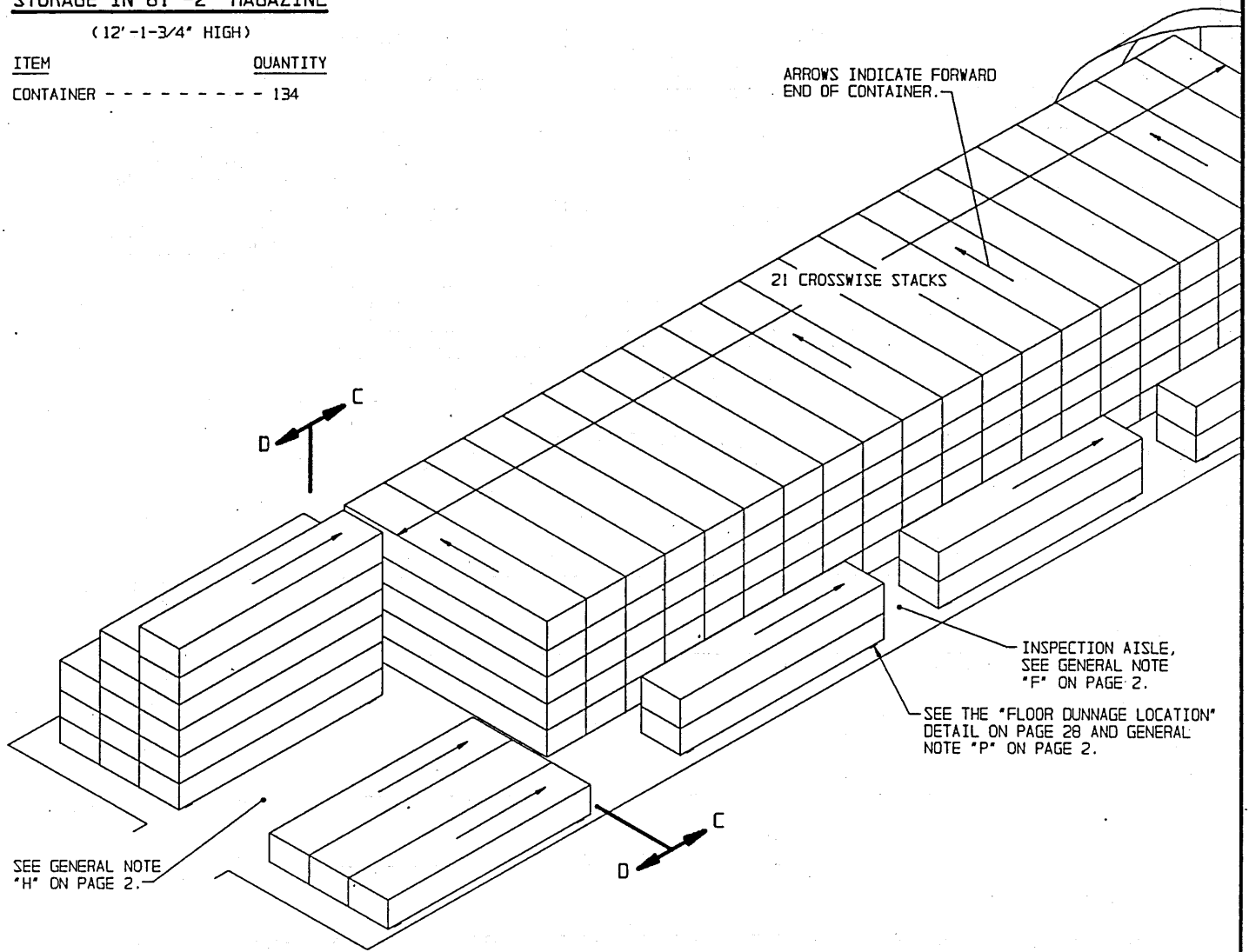
BILL OF MATERIAL (PER FIRST LAYER CONTAINER)		
LUMBER	LINEAR FEET	BOARD FEET
LENGTHWISE STACKS 1" X 6"	5.84	2.92
CROSSWISE STACKS 2" X 6"	5.84	5.84



STORAGE IN 81'-2" MAGAZINE

(12'-1-3/4" HIGH)

ITEM	QUANTITY
CONTAINER - - - - -	134



ISOMETRIC VIEW
(81'-2" MAGAZINE)

FOR "GENERAL NOTES" AND "MATERIAL SPECIFICATIONS", SEE PAGE 2.

BILL OF MATERIAL		(PER FIRST LAYER CONTAINER)	
LUMBER		LINEAR FEET	BOARD FEET
LENGTHWISE STACKS	1" X 6"	5.84	2.92
CROSSWISE STACKS	2" X 6"	5.84	5.84

STORAGE IN 80'-0" MAGAZINE

(12'-1-3/4" HIGH)

ITEM	QUANTITY
CONTAINER	123

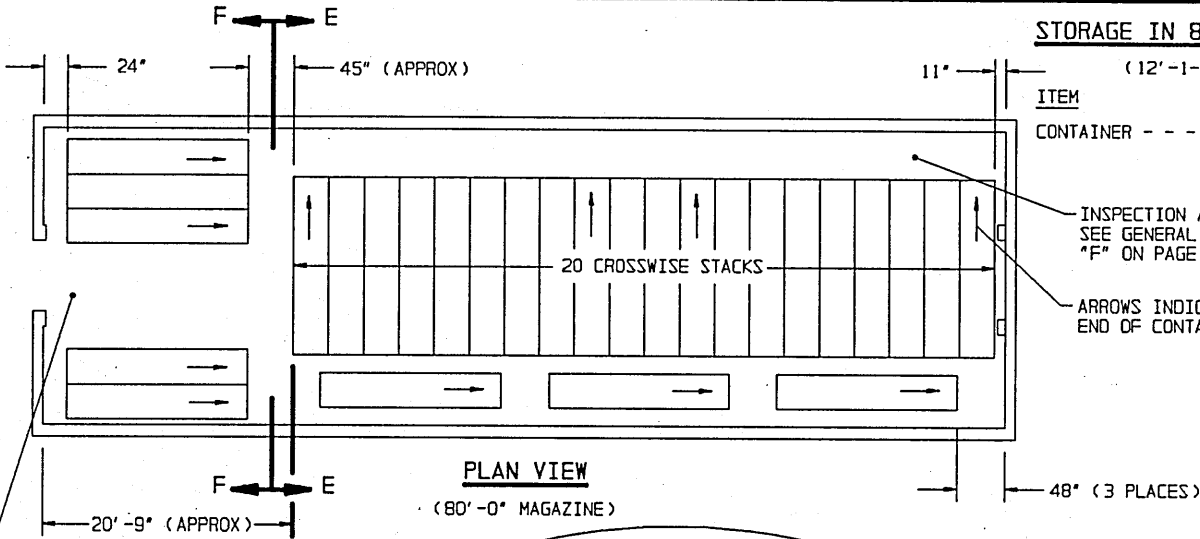
INSPECTION AISLE,
SEE GENERAL NOTE
"F" ON PAGE 2.

ARROWS INDICATE FORWARD
END OF CONTAINER.

20 CROSSWISE STACKS

PLAN VIEW

(80'-0" MAGAZINE)



SEE GENERAL NOTE
"H" ON PAGE 2.

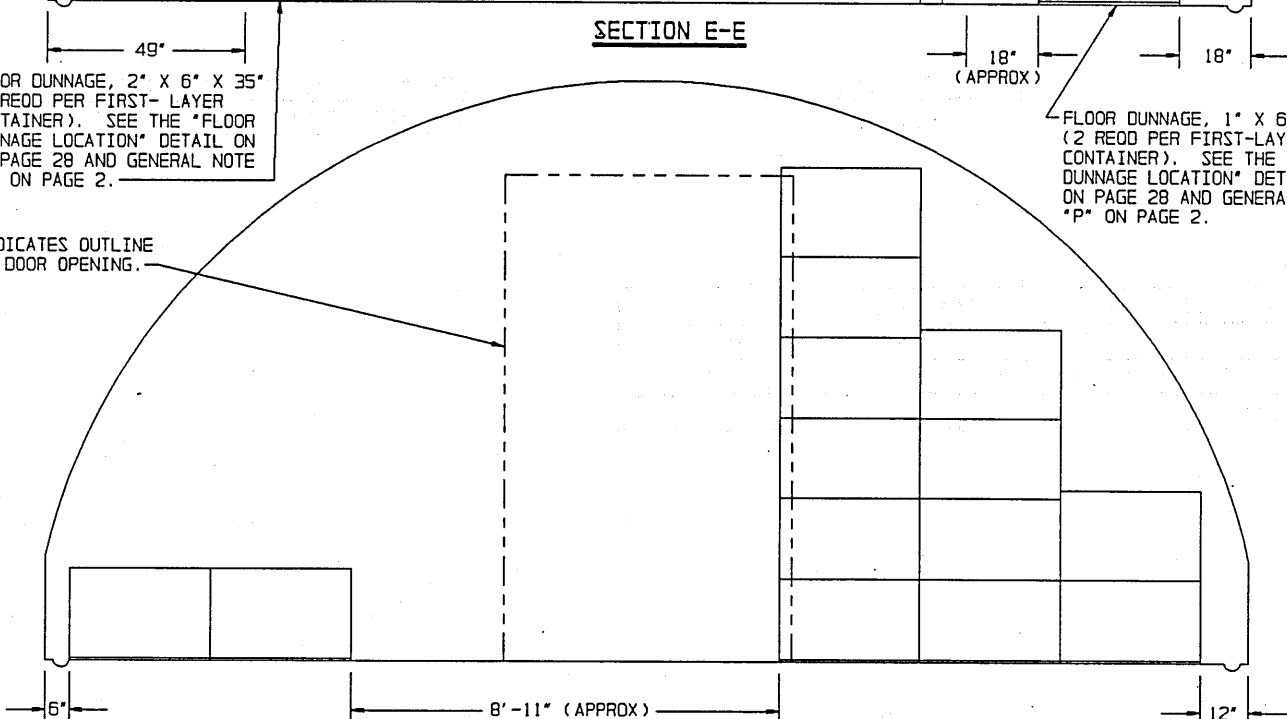
SEE GENERAL NOTE
"E" ON PAGE 2.

SECTION E-E

FLOOR DUNNAGE, 2" X 6" X 35"
(2 REED PER FIRST-LAYER
CONTAINER). SEE THE "FLOOR
DUNNAGE LOCATION" DETAIL ON
ON PAGE 28 AND GENERAL NOTE
"P" ON PAGE 2.

FLOOR DUNNAGE, 1" X 6" X 35"
(2 REED PER FIRST-LAYER
CONTAINER). SEE THE "FLOOR
DUNNAGE LOCATION" DETAIL ON
ON PAGE 28 AND GENERAL NOTE
"P" ON PAGE 2.

INDICATES OUTLINE
OF DOOR OPENING.

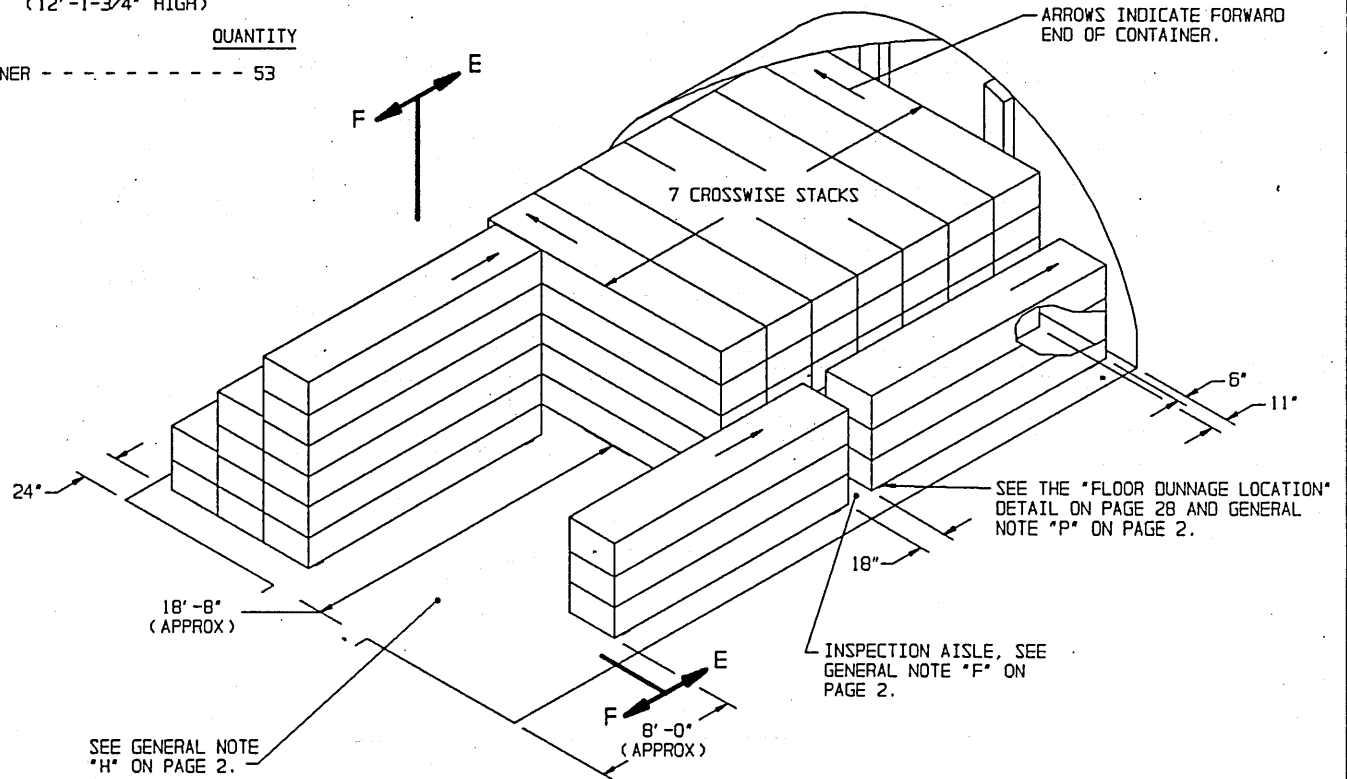


SECTION F-F

STORAGE IN 40'-0" MAGAZINE

(12'-1-3/4" HIGH)

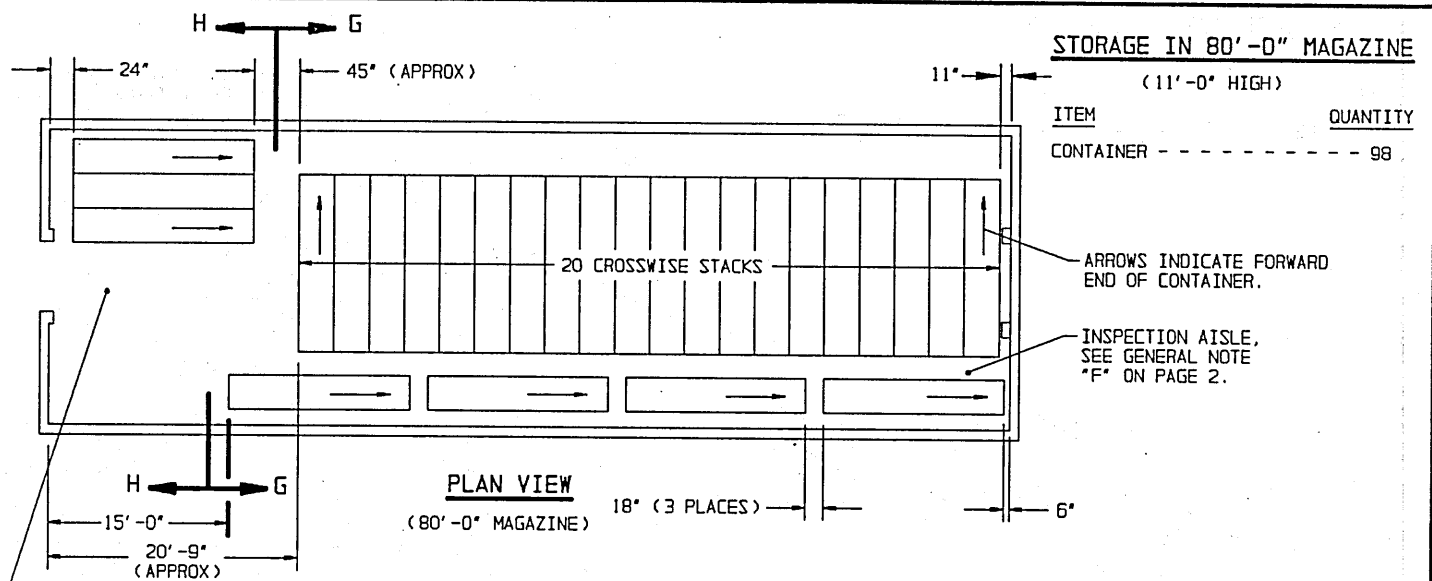
ITEM	QUANTITY
CONTAINER - - - - -	53



ISOMETRIC VIEW
(40'-0" MAGAZINE)

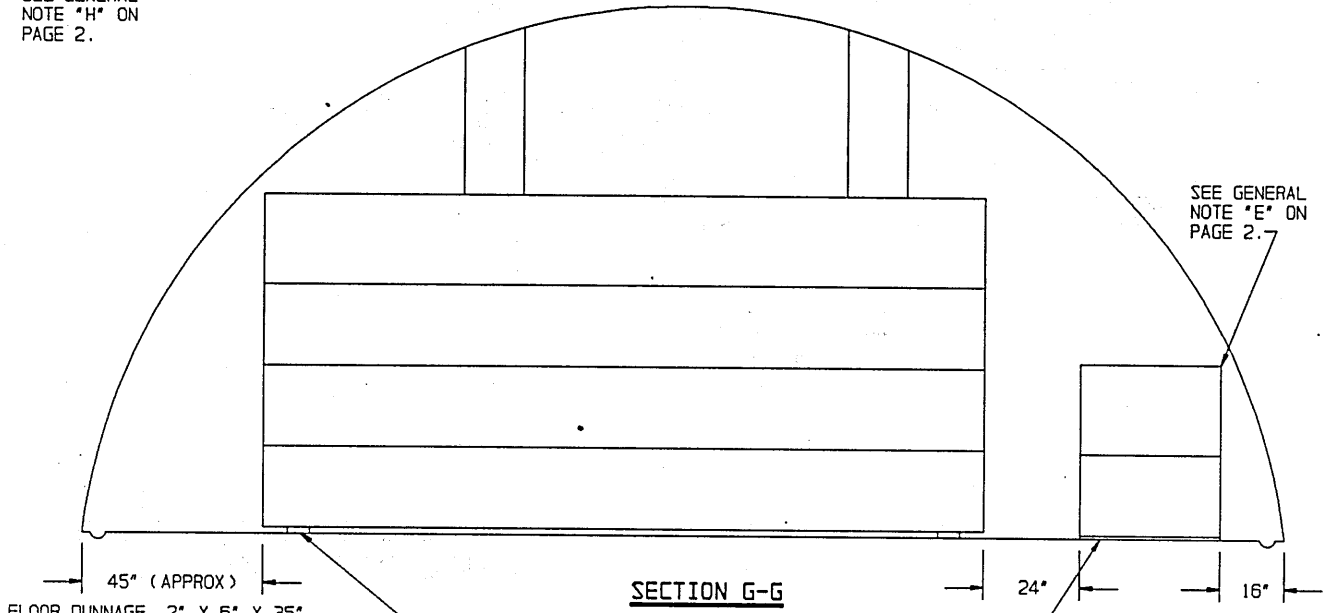
FOR "GENERAL NOTES" AND "MATERIAL SPECIFICATIONS", SEE PAGE 2.

BILL OF MATERIAL (PER FIRST LAYER CONTAINER)			
	LUMBER	LINEAR FEET	BOARD FEET
LENGTHWISE STACKS	1" X 6"	5.84	2.92
CROSSWISE STACKS	2" X 6"	5.84	5.84



SEE GENERAL NOTE "H" ON PAGE 2.

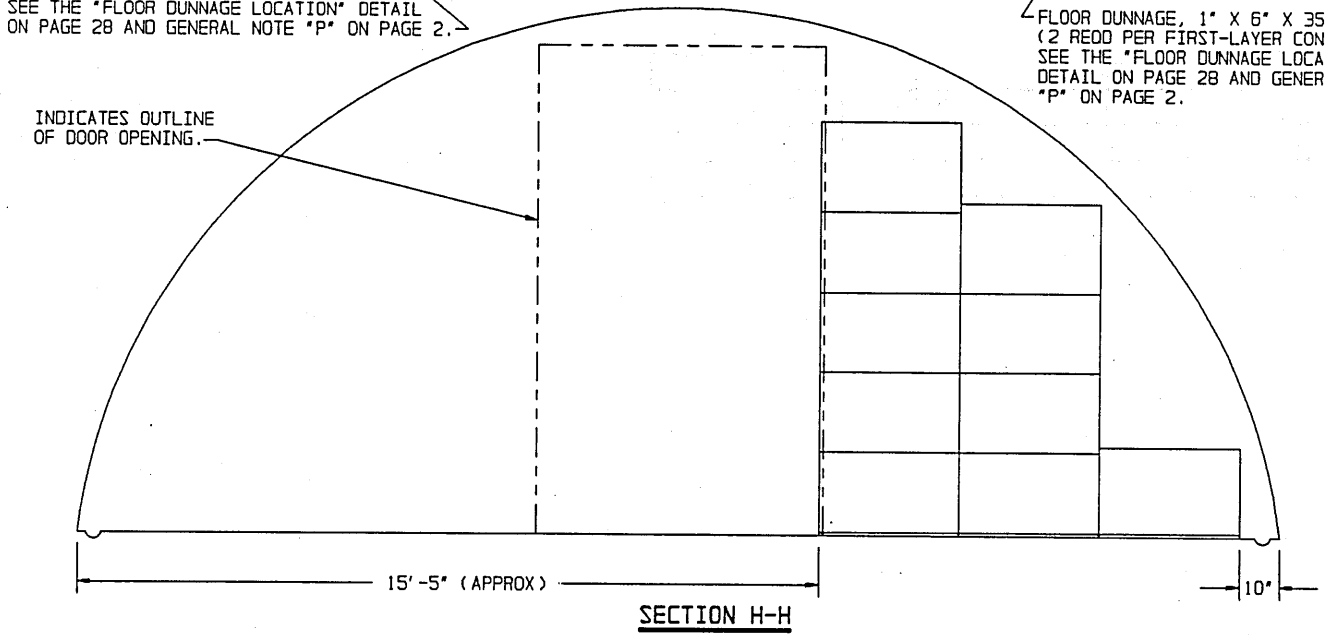
SEE GENERAL NOTE "E" ON PAGE 2.



FLOOR DUNNAGE, 2" X 6" X 35"
(2 REOD PER FIRST-LAYER CONTAINER).
SEE THE "FLOOR DUNNAGE LOCATION" DETAIL ON PAGE 28 AND GENERAL NOTE "P" ON PAGE 2.

FLOOR DUNNAGE, 1" X 6" X 35"
(2 REOD PER FIRST-LAYER CONTAINER).
SEE THE "FLOOR DUNNAGE LOCATION" DETAIL ON PAGE 28 AND GENERAL NOTE "P" ON PAGE 2.

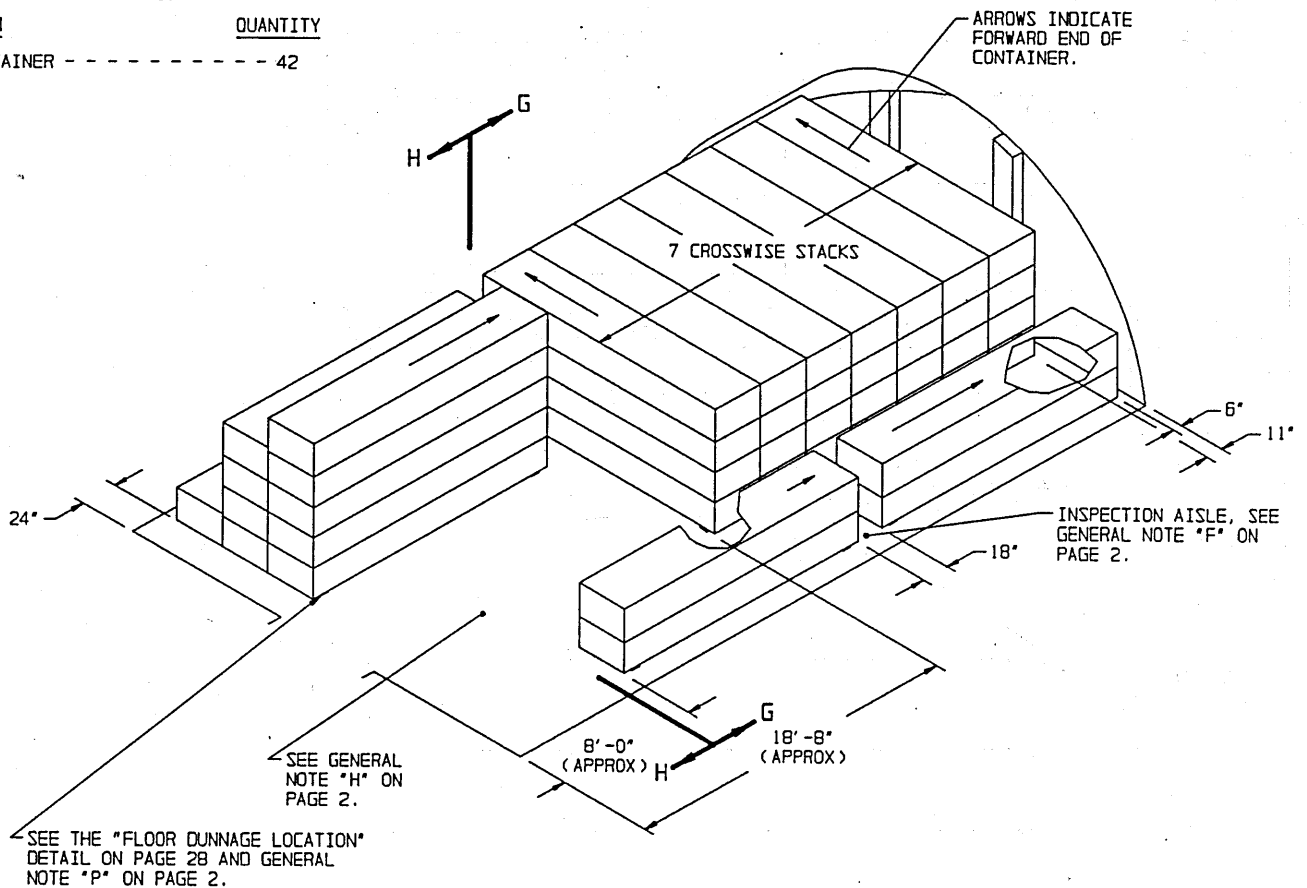
INDICATES OUTLINE OF DOOR OPENING.



STORAGE IN 40'-0" MAGAZINE

(11'0" HIGH)

ITEM	QUANTITY
CONTAINER - - - - -	42



ISOMETRIC VIEW
(40'-0" MAGAZINE)

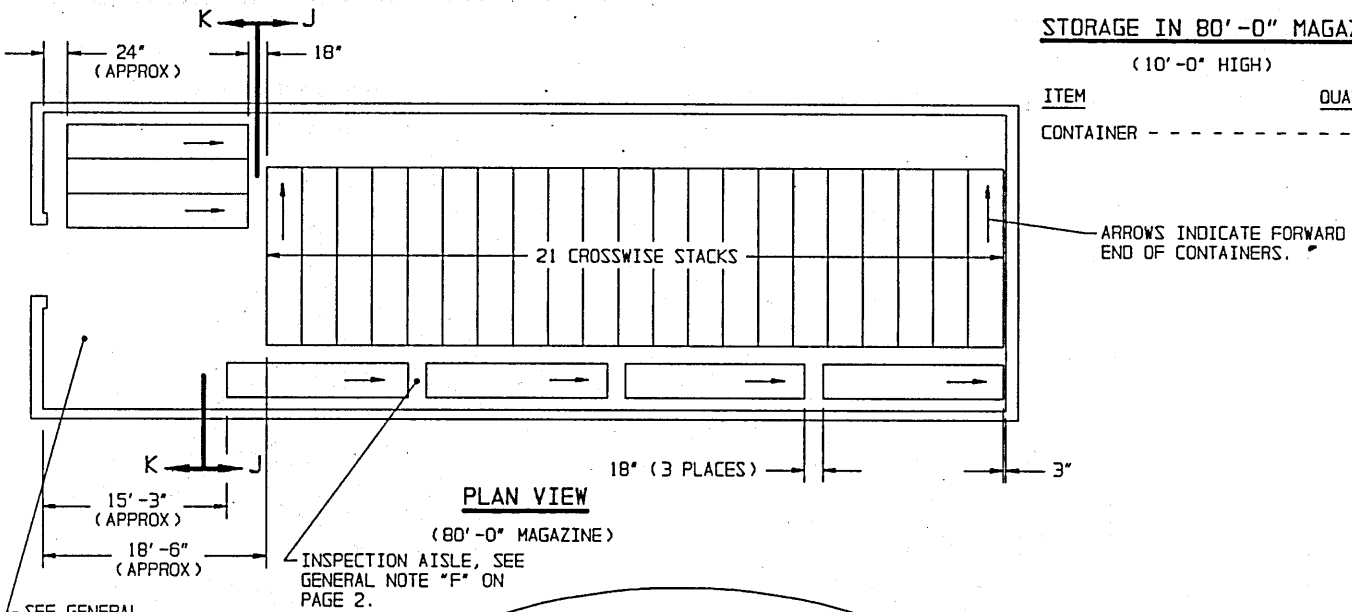
BILL OF MATERIAL		(PER FIRST LAYER CONTAINER)	
LUMBER		LINEAR FEET	BOARD FEET
LENGTHWISE STACKS	1" X 6"	5.84	2.92
CROSSWISE STACKS	2" X 6"	5.84	5.84

FOR "GENERAL NOTES" AND "MATERIAL SPECIFICATIONS", SEE PAGE 2.

STORAGE IN 80'-0" MAGAZINE

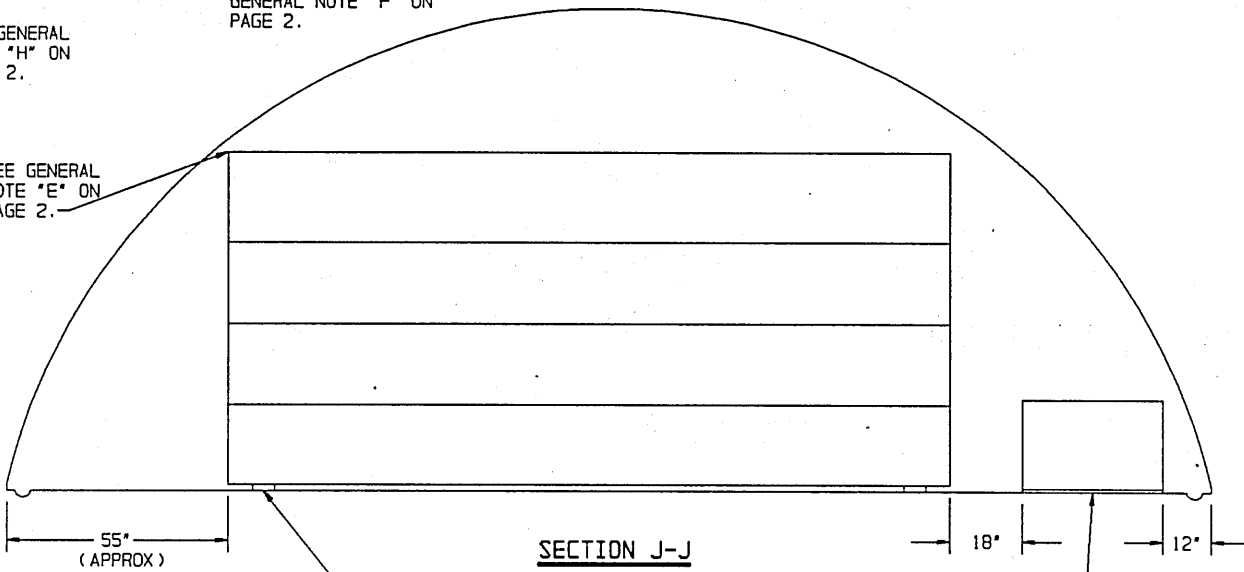
(10'-0" HIGH)

ITEM	QUANTITY
CONTAINER - - - - -	96



SEE GENERAL NOTE "H" ON PAGE 2.

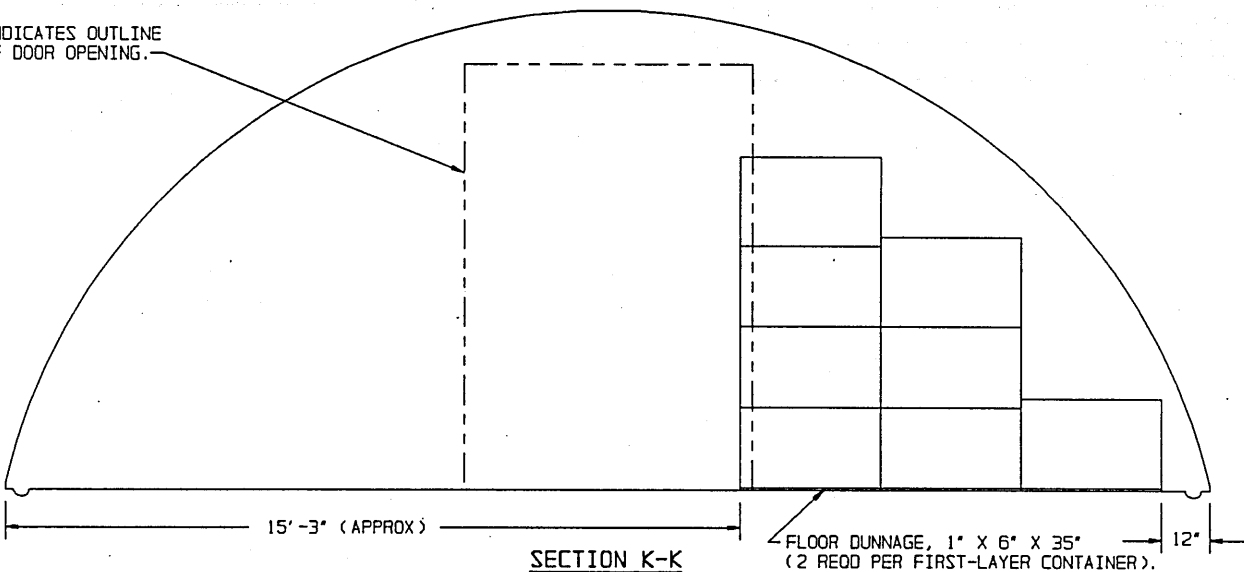
SEE GENERAL NOTE "E" ON PAGE 2.



FLOOR DUNNAGE, 2" X 6" X 35"
(2 REOD PER FIRST-LAYER CONTAINER).
SEE THE "FLOOR DUNNAGE LOCATION" DETAIL ON PAGE 28 AND GENERAL NOTE "P" ON PAGE 2.

FLOOR DUNNAGE, 1" X 6" X 35"
(2 REOD PER FIRST-LAYER CONTAINER).
SEE THE "FLOOR DUNNAGE LOCATION" DETAIL ON PAGE 28 AND GENERAL NOTE "P" ON PAGE 2.

INDICATES OUTLINE OF DOOR OPENING.

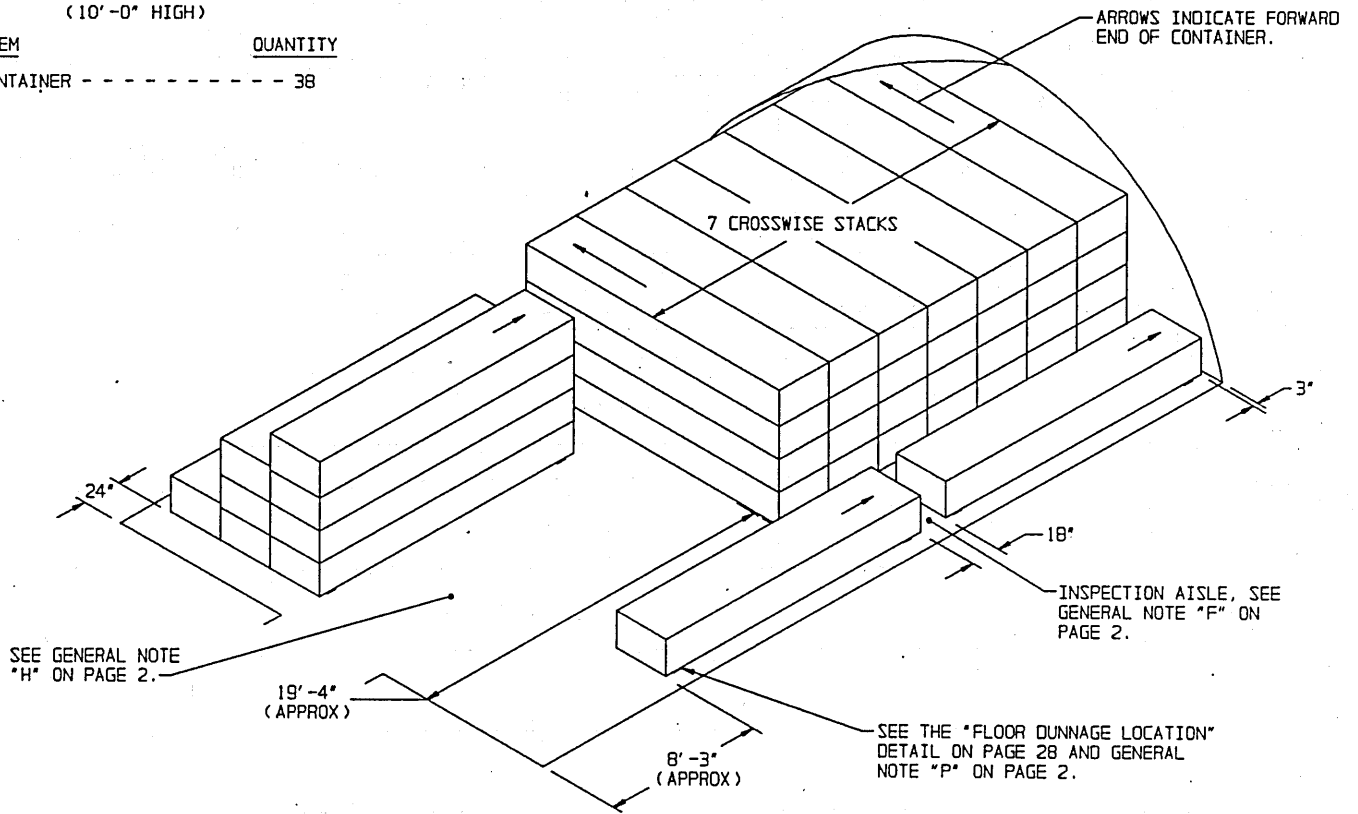


FLOOR DUNNAGE, 1" X 6" X 35"
(2 REOD PER FIRST-LAYER CONTAINER).
SEE THE "FLOOR DUNNAGE LOCATION" DETAIL ON PAGE 28 AND GENERAL NOTE "P" ON PAGE 2.

STORAGE IN 40'-0" MAGAZINE

(10'-0" HIGH)

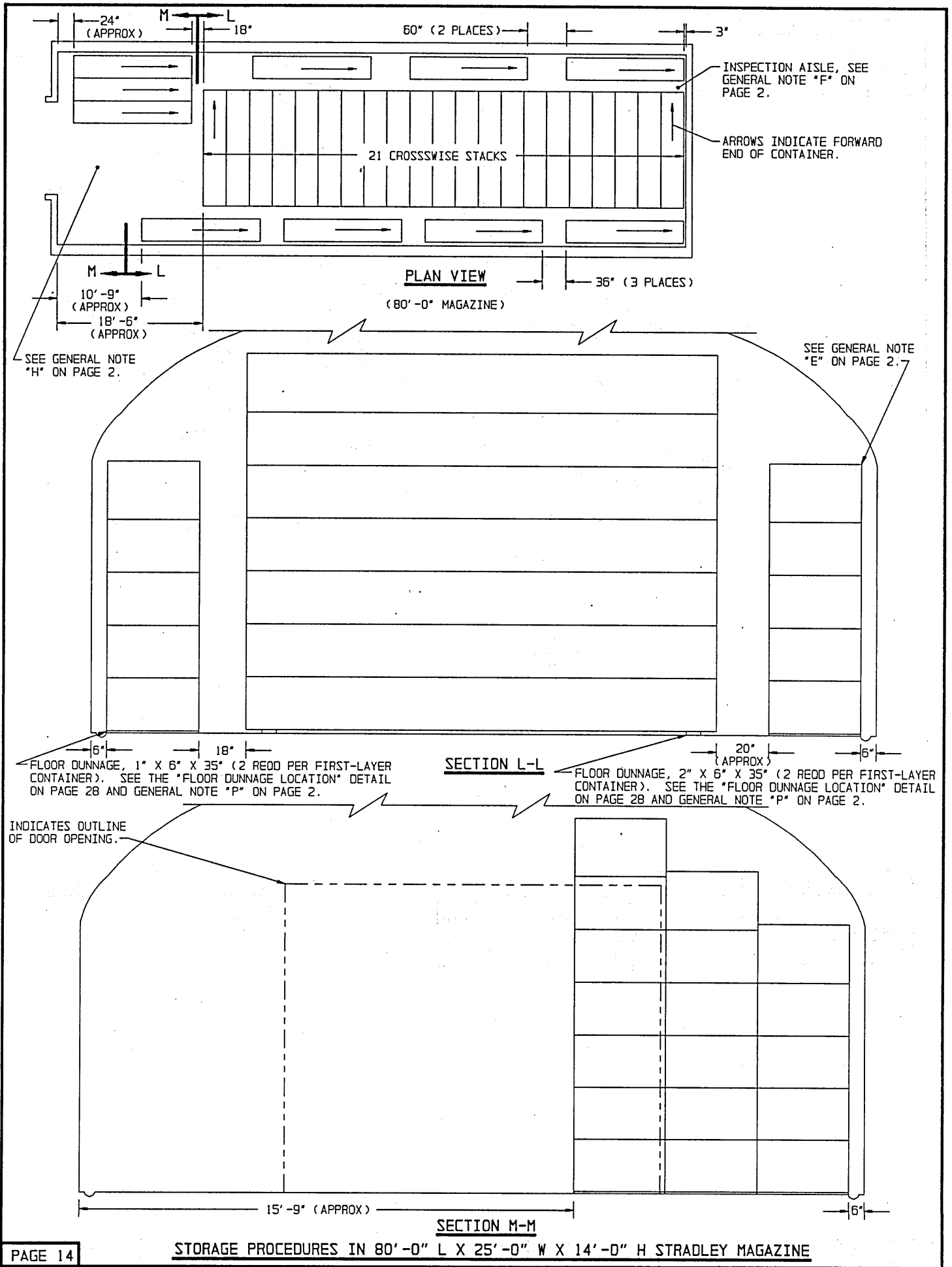
ITEM	QUANTITY
CONTAINER - - - - -	38



ISOMETRIC VIEW
(40'-0" MAGAZINE)

BILL OF MATERIAL		(PER FIRST LAYER CONTAINER)	
	LUMBER	LINEAR FEET	BOARD FEET
LENGTHWISE STACKS	1" X 6"	5.84	2.92
CROSSWISE STACKS	2" X 6"	5.84	5.84

FOR "GENERAL NOTES" AND "MATERIAL SPECIFICATIONS", SEE PAGE 2.

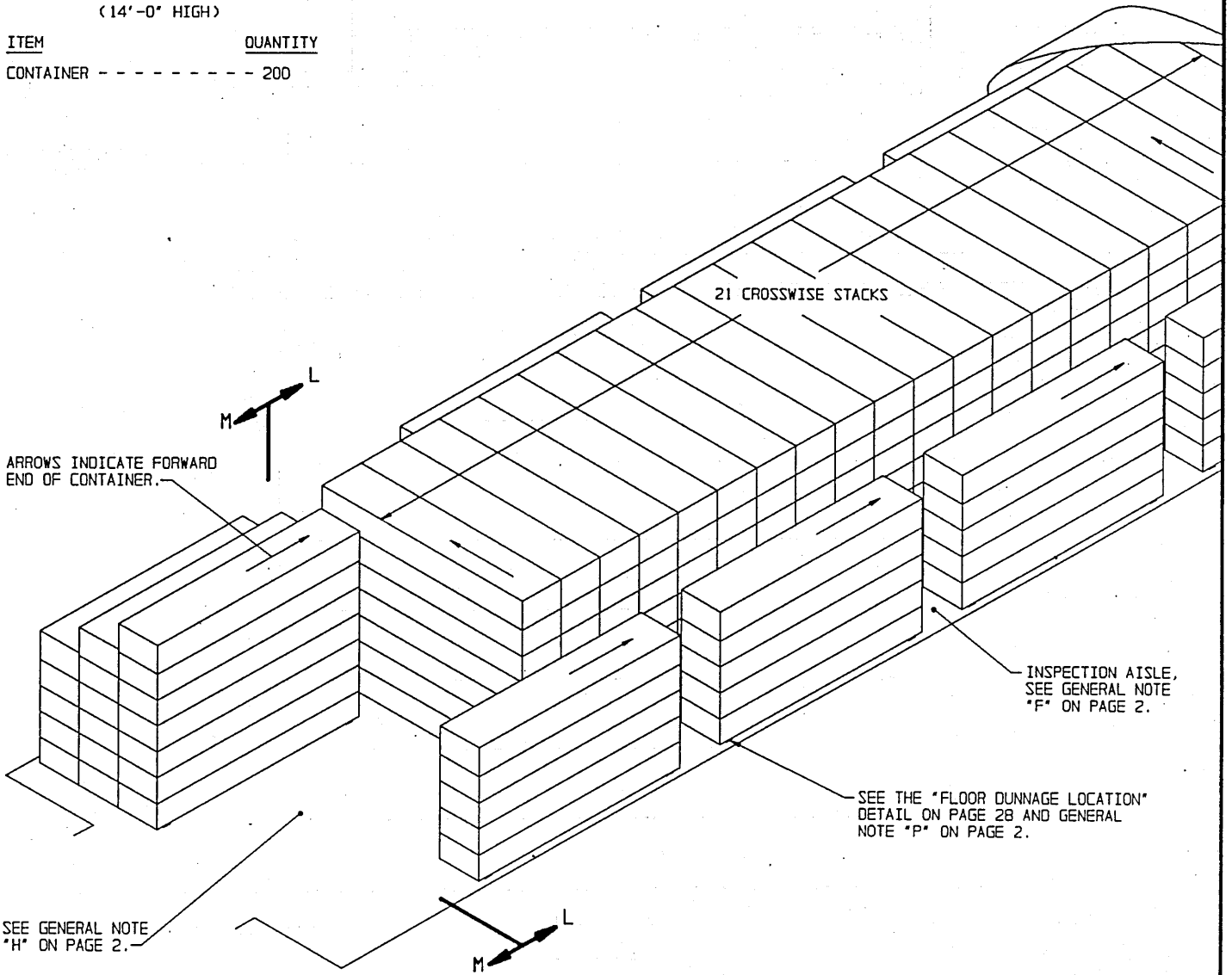


STORAGE IN 80'-0" MAGAZINE

(14'-0" HIGH)

ITEM QUANTITY

CONTAINER - - - - - 200

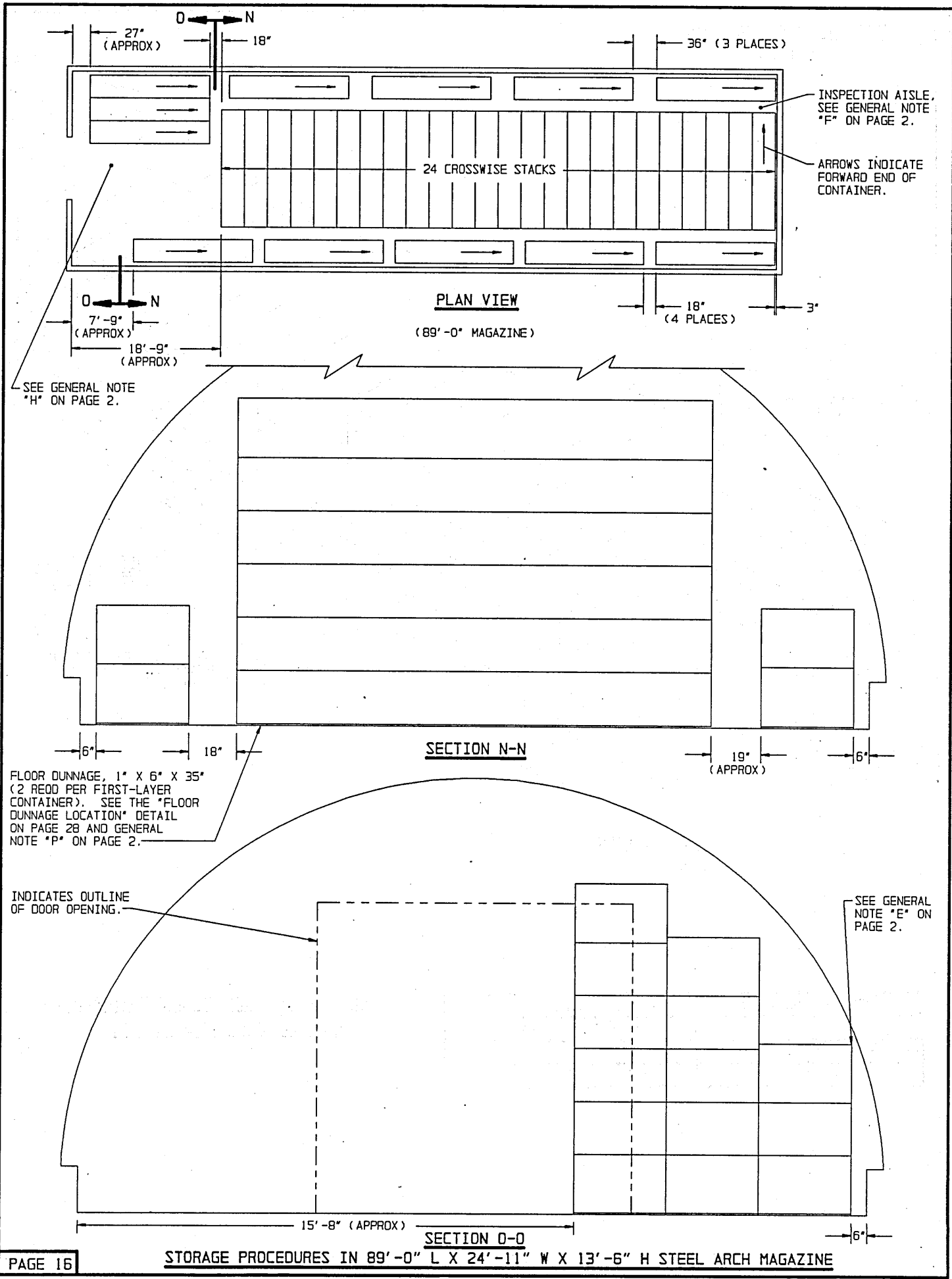


ISOMETRIC VIEW

(80'-0" MAGAZINE)

BILL OF MATERIAL		(PER FIRST LAYER CONTAINER)	
	LUMBER	LINEAR FEET	BOARD FEET
LENGTHWISE STACKS	1" X 6"	5.84	2.92
CROSSWISE STACKS	2" X 6"	5.84	5.84

FOR "GENERAL NOTES" AND "MATERIAL SPECIFICATIONS", SEE PAGE 2.

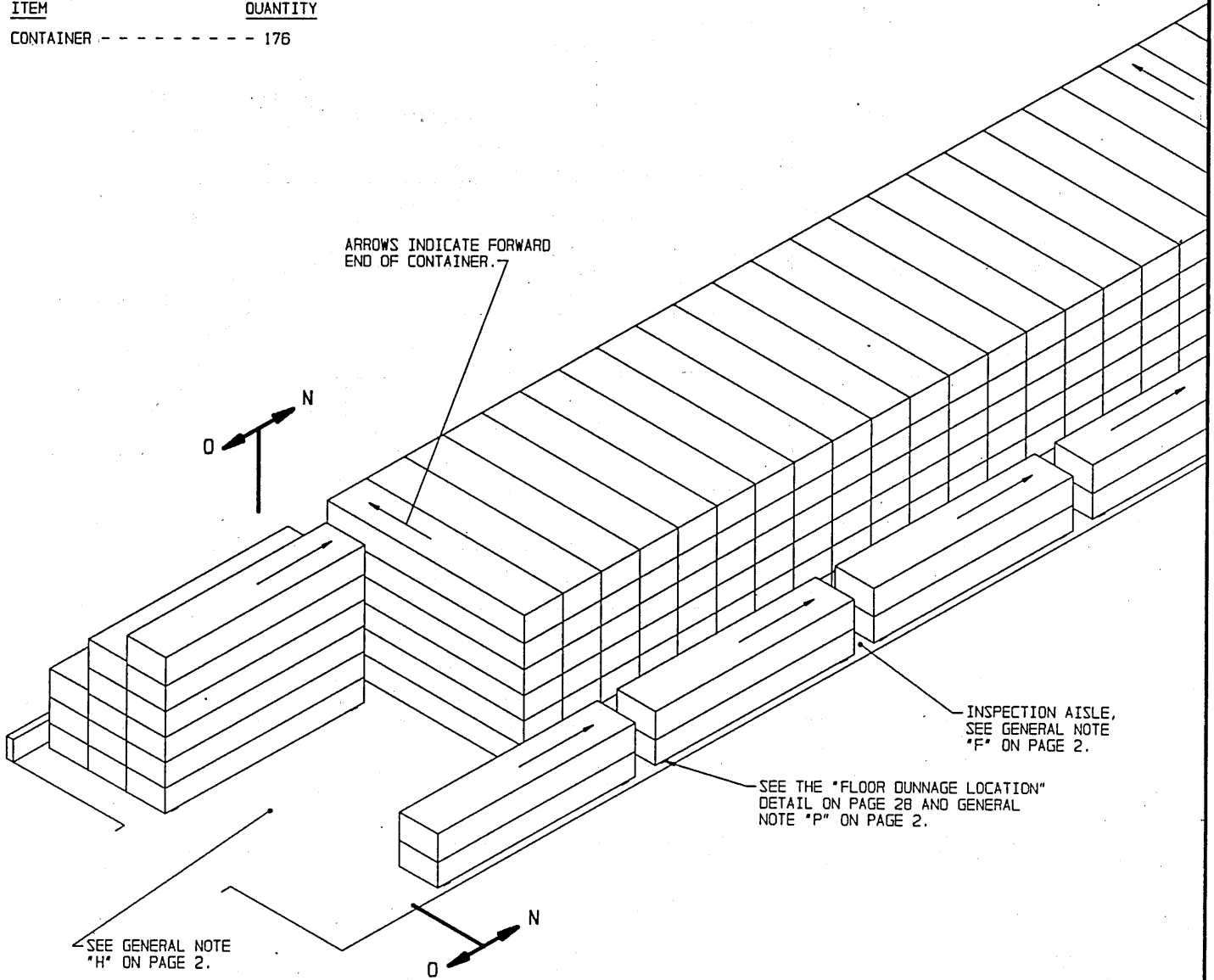


STORAGE IN 89'-0" MAGAZINE

(13'-6" HIGH)

ITEM QUANTITY

CONTAINER - - - - - 176



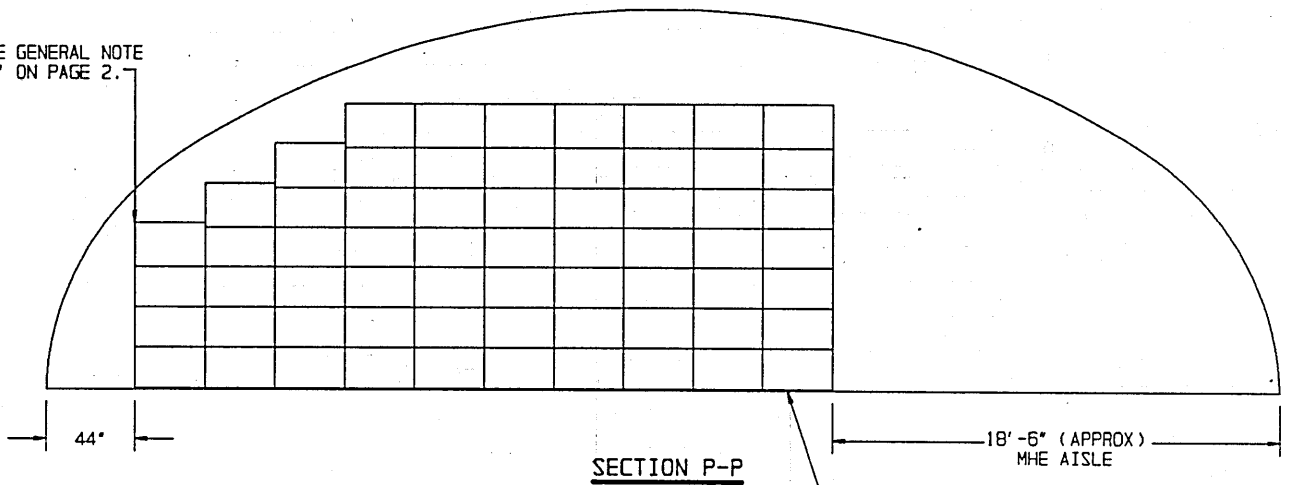
ISOMETRIC VIEW

(89'-0" MAGAZINE)

BILL OF MATERIAL (PER STACK)		
LUMBER	LINEAR FEET	BOARD FEET
1" X 6"	5.84	2.92

FOR "GENERAL NOTES" AND "MATERIAL SPECIFICATIONS", SEE PAGE 2.

SEE GENERAL NOTE
"E" ON PAGE 2.

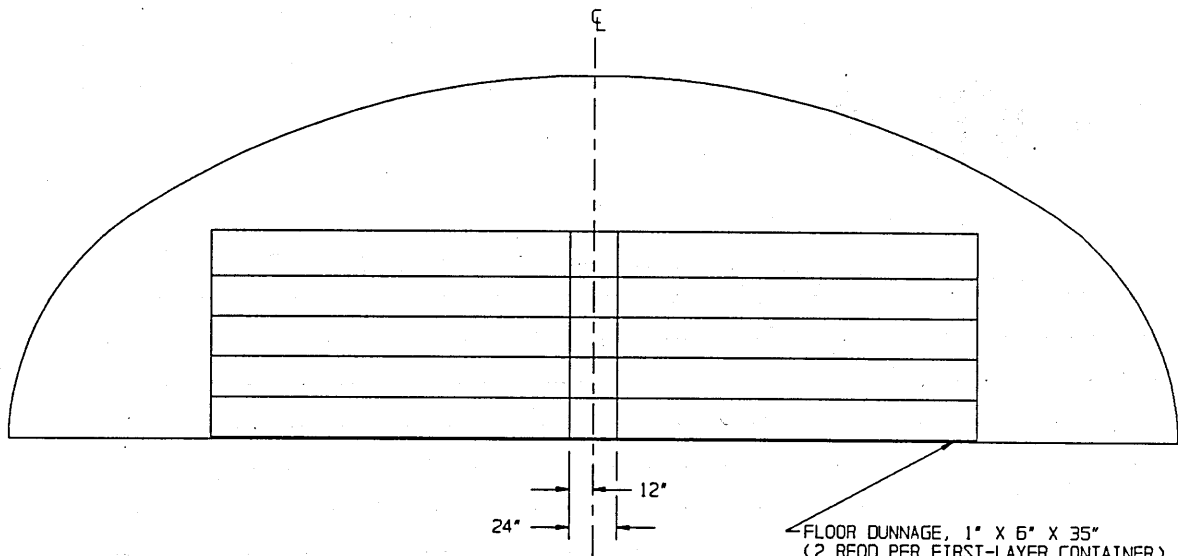


SECTION P-P

FLOOR DUNNAGE, 1" X 6" X 35"
(2 REOD PER FIRST-LAYER CONTAINER).
SEE THE "FLOOR DUNNAGE LOCATION" DETAIL ON
PAGE 28 AND GENERAL NOTE "P" ON PAGE 2.

BILL OF MATERIAL (PER STACK)		
LUMBER	LINEAR FEET	BOARD FEET
1" X 6"	5.84	2.92

FOR "GENERAL NOTES" AND "MATERIAL SPECIFICATIONS", SEE PAGE 2.



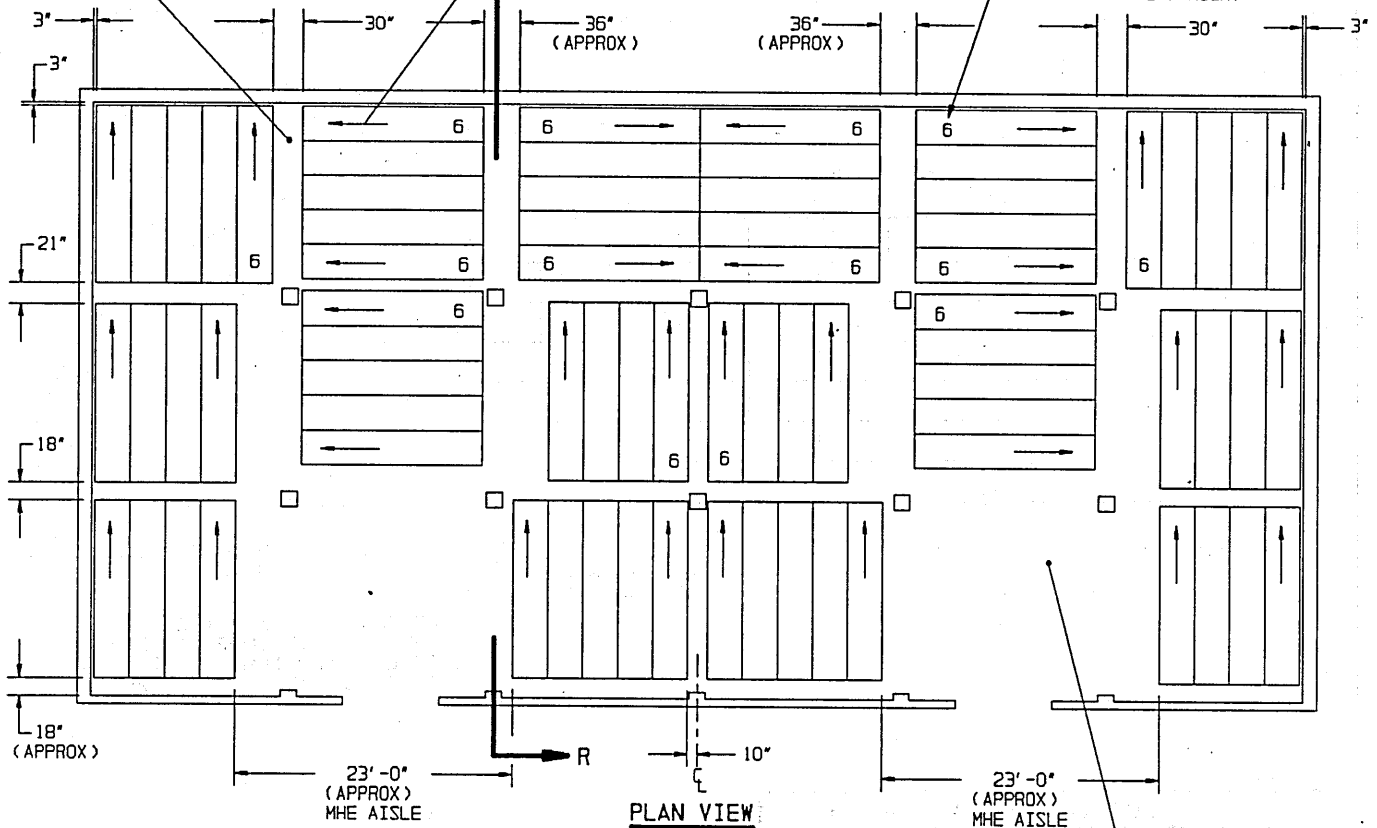
SECTION O-O

FLOOR DUNNAGE, 1" X 6" X 35"
(2 REOD PER FIRST-LAYER CONTAINER).
SEE THE "FLOOR DUNNAGE LOCATION" DETAIL ON
PAGE 28 AND GENERAL NOTE "P" ON PAGE 2.

INSPECTION AISLE,
SEE GENERAL NOTE
"F" ON PAGE 2.

ARROWS INDICATE FORWARD
END OF CONTAINER.

NUMBERS INDICATE THE QUANTITY
OF CONTAINERS IN A STACK.
CONTAINER STACKS WHICH ARE NOT
NUMBERED ARE 7-HIGH.

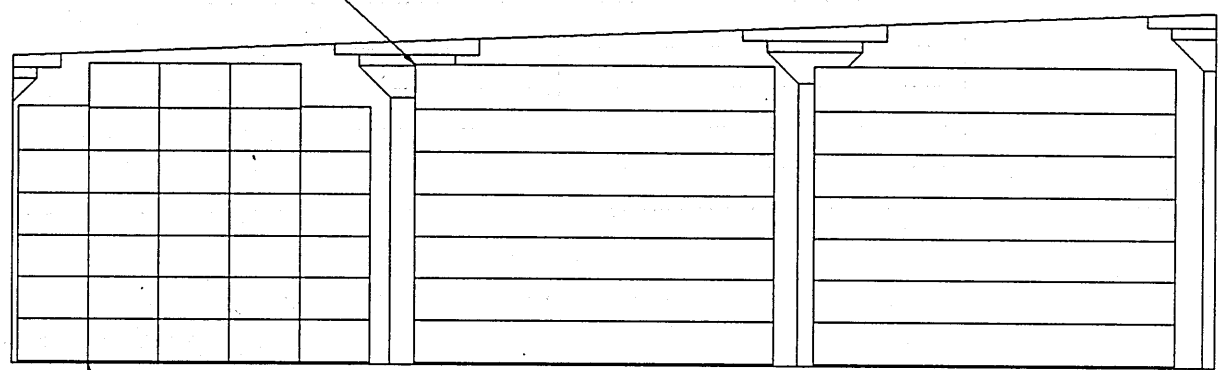


PLAN VIEW

(100'-8" L X 50'-0" W MAGAZINE)

SEE GENERAL NOTE "H"
ON PAGE 2.

CONTAINERS IN THE TOP LAYER
WILL BE OMITTED AS REQUIRED
TO CLEAR ROOF SUPPORT CAPS
AT TOP OF COLUMNS.

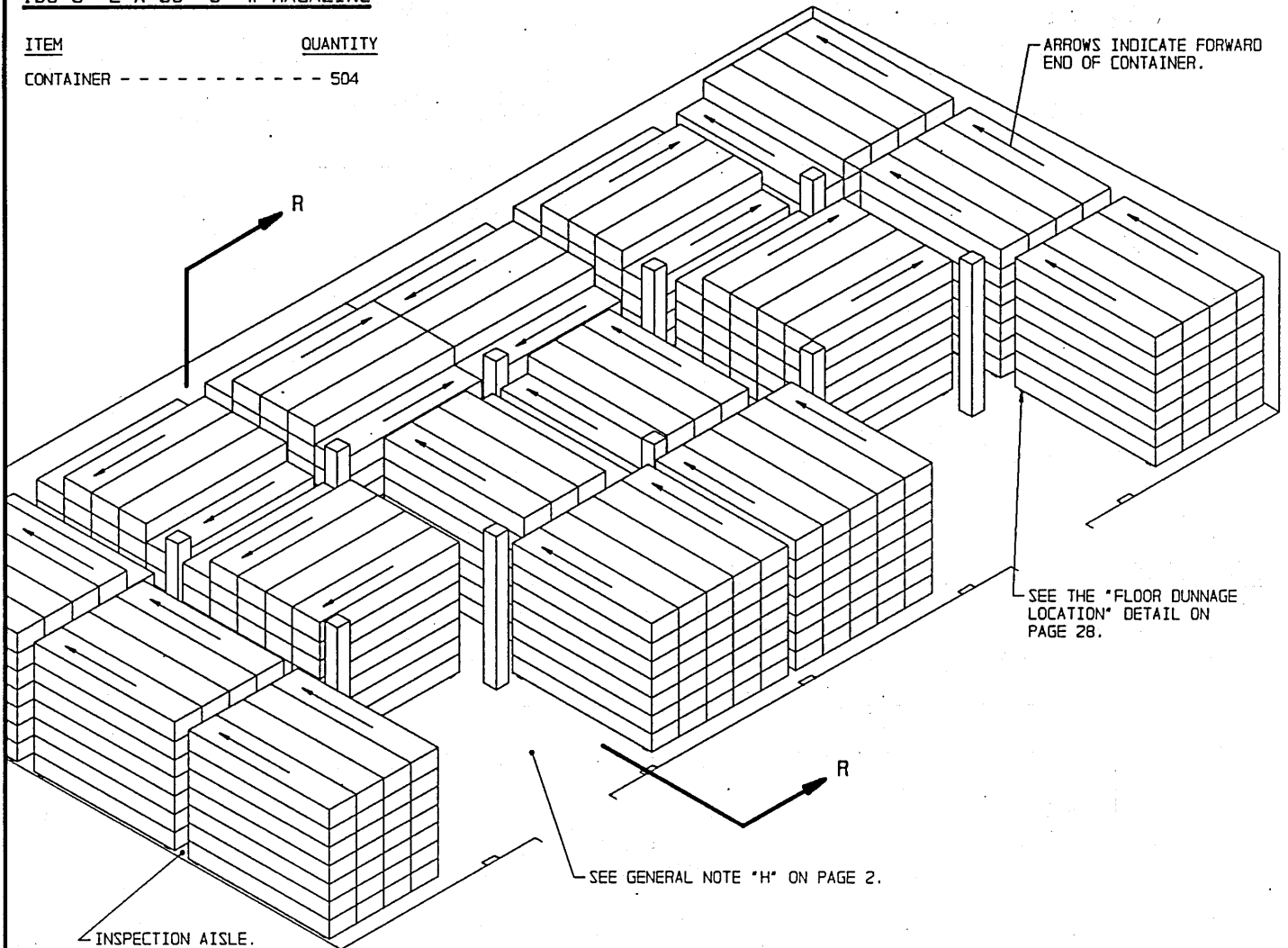


SECTION R-R

FLOOR DUNNAGE, 1" X 6" X 35"
(2 REOD PER FIRST LAYER
CONTAINER). SEE THE "FLOOR
DUNNAGE LOCATION" DETAIL ON
PAGE 28. SEE GENERAL NOTE "P"
ON PAGE 2.

**STORAGE IN
100'-8" L X 50'-0" W MAGAZINE**

ITEM	QUANTITY
CONTAINER - - - - -	504

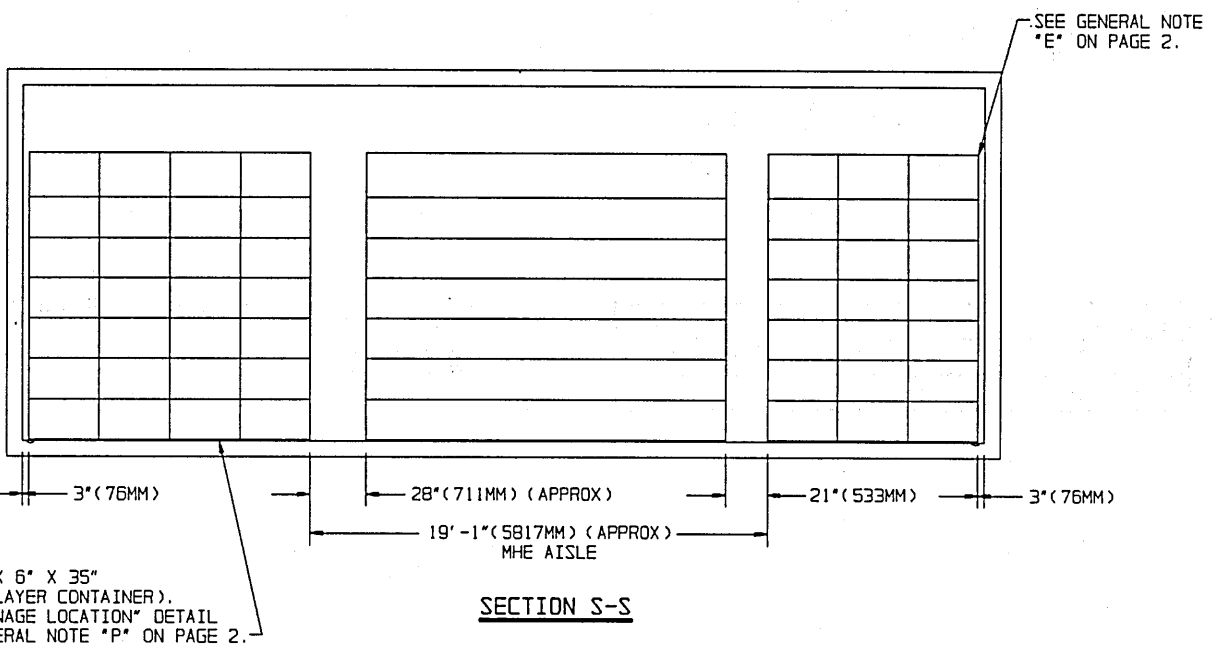
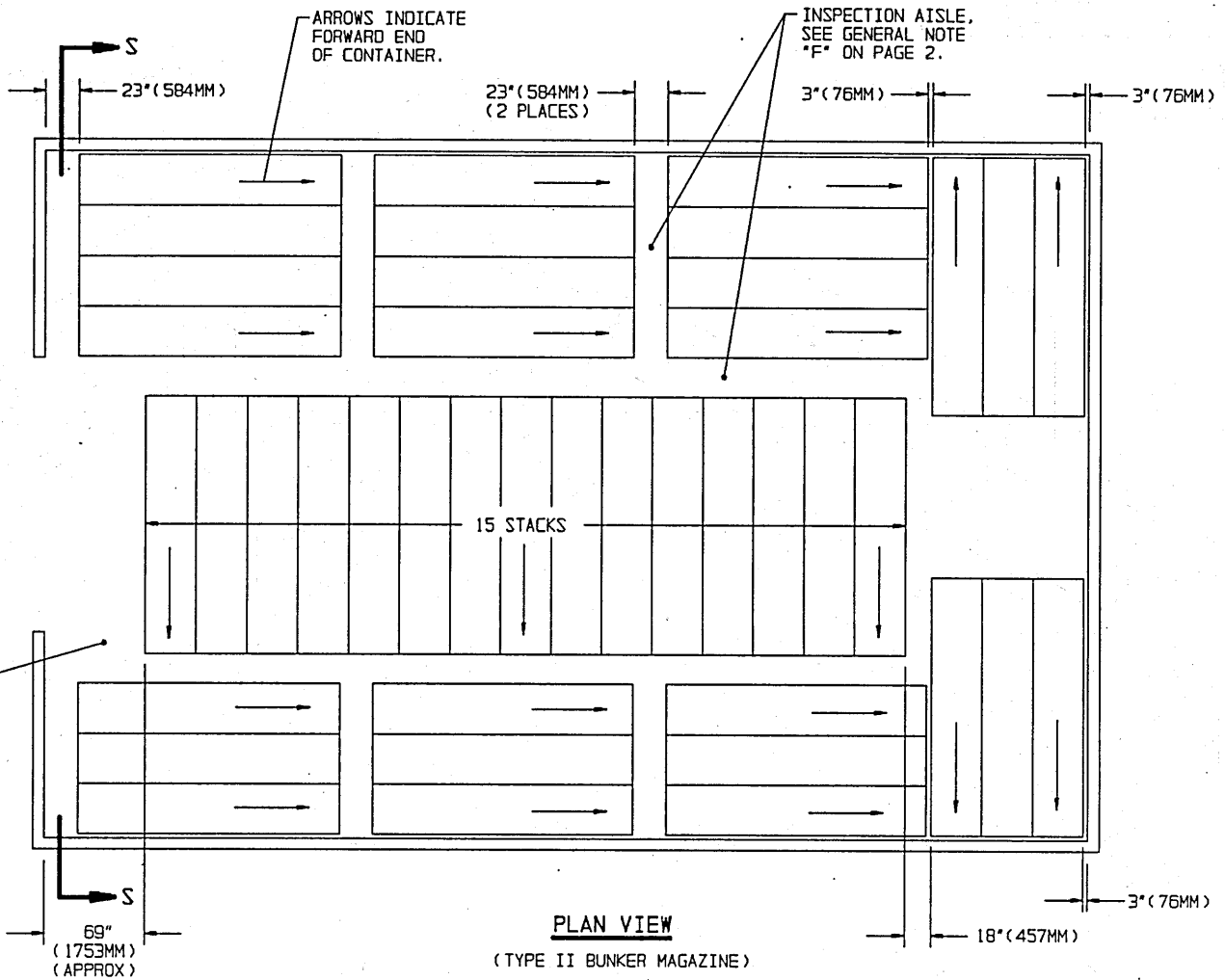


ISOMETRIC VIEW

(100'-8" L X 50'-0" W MAGAZINE)

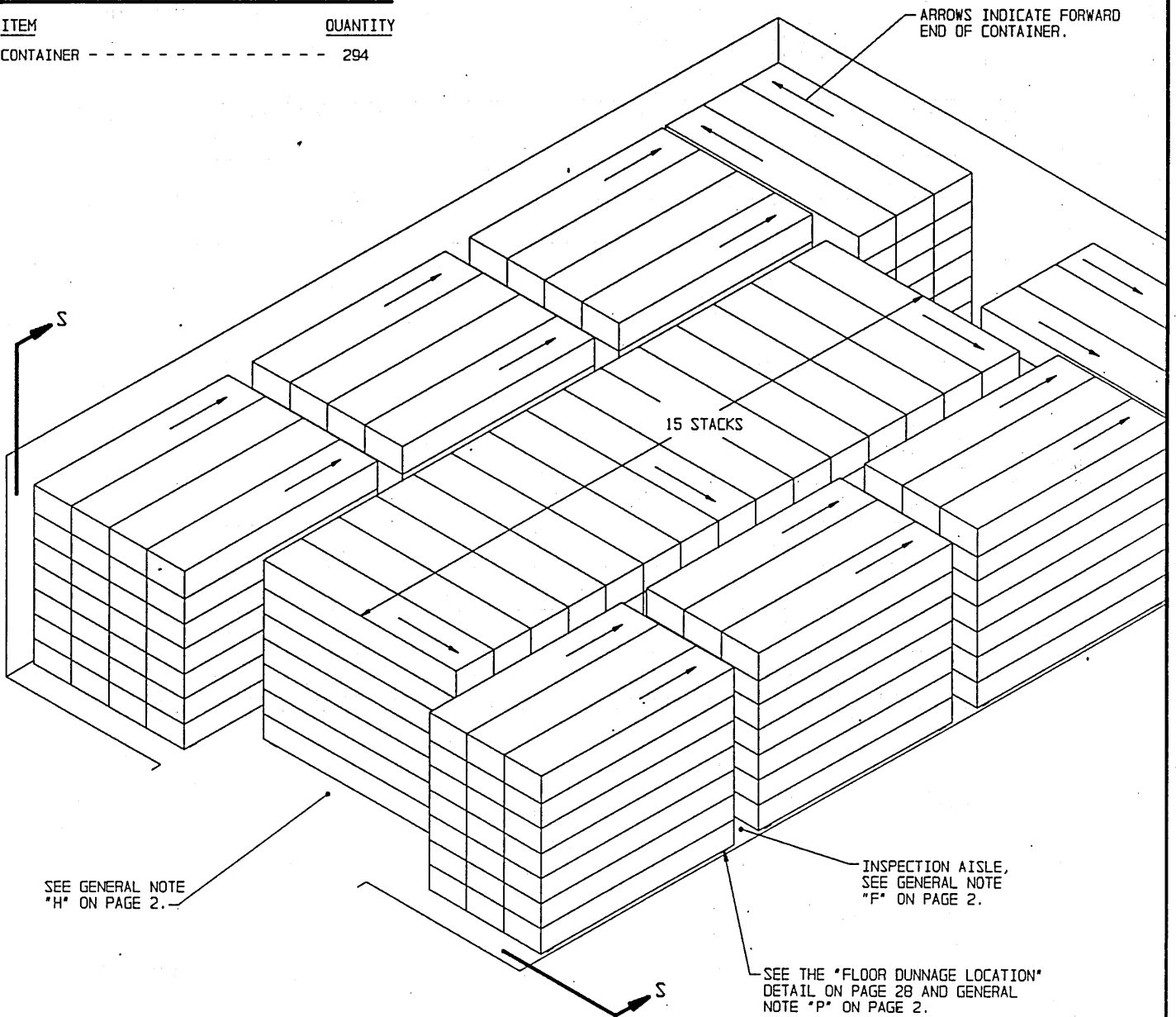
BILL OF MATERIAL (PER FIRST LAYER CONTAINER)		
LUMBER	LINEAR FEET	BOARD FEET
1" X 6"	5.84	2.92

FOR "GENERAL NOTES" AND "MATERIAL SPECIFICATIONS",
SEE PAGE 2.



STORAGE IN TYPE II BUNKER MAGAZINE

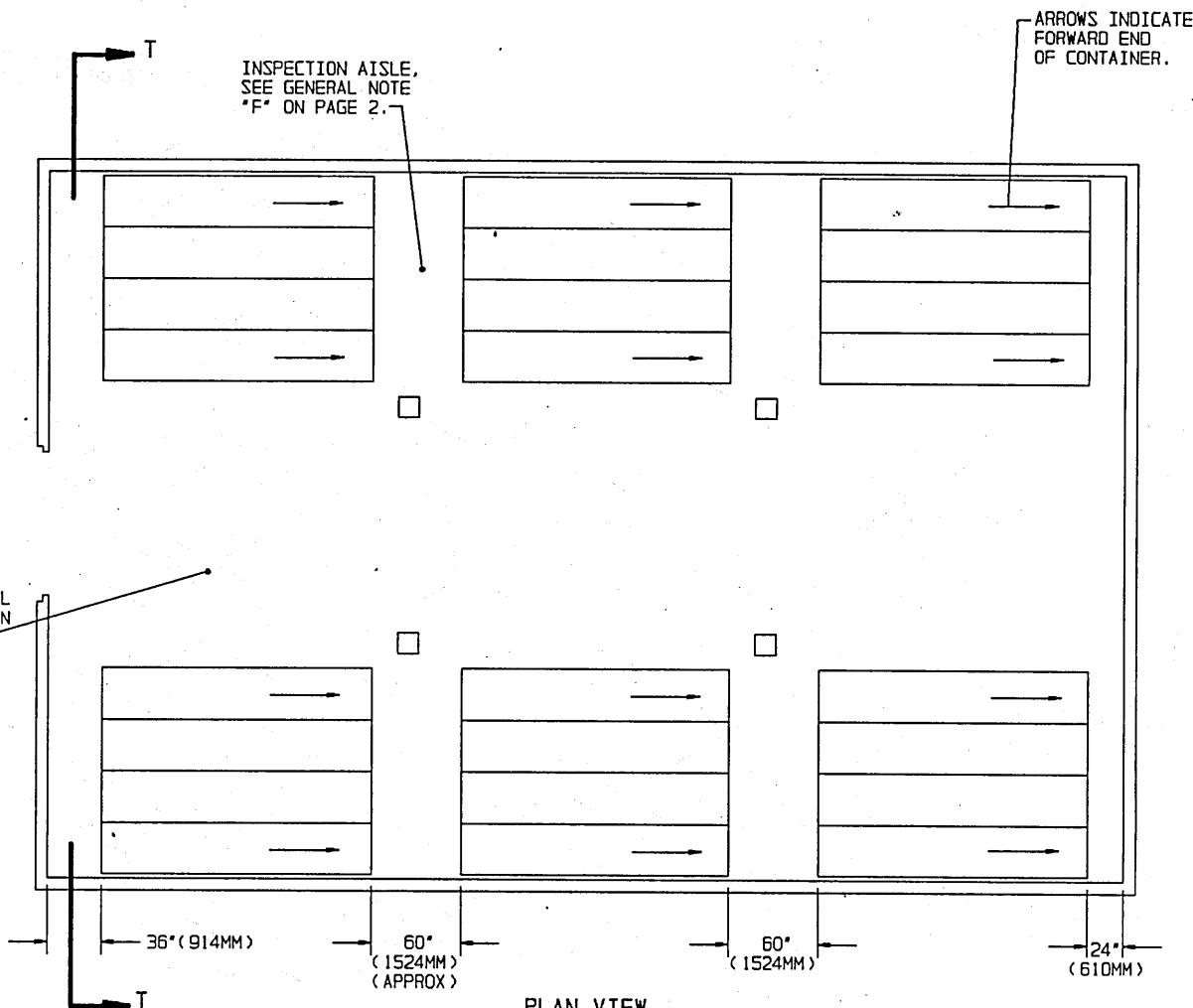
ITEM	QUANTITY
CONTAINER - - - - -	294



ISOMETRIC VIEW
(TYPE II BUNKER MAGAZINE)

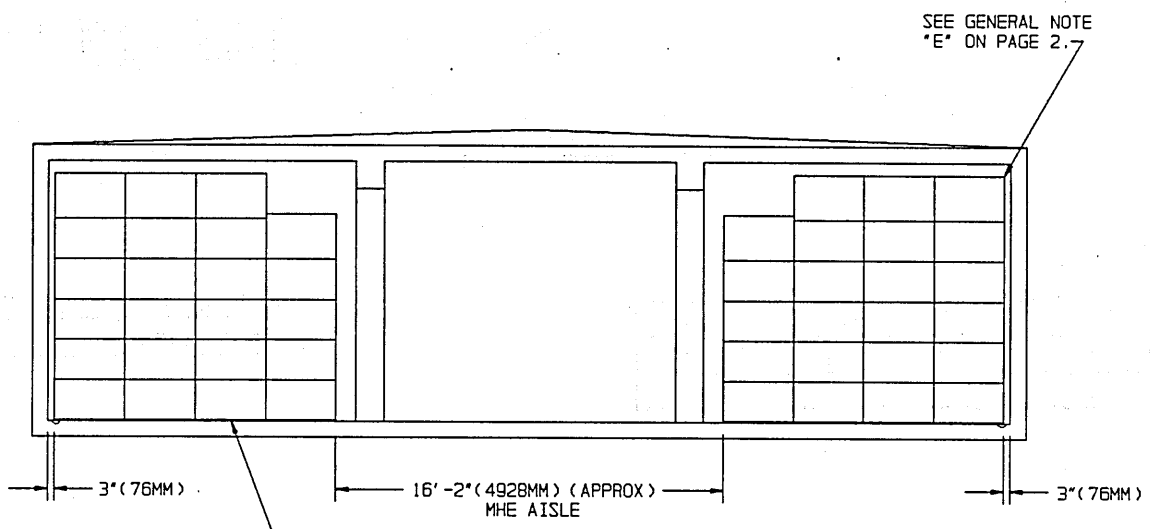
BILL OF MATERIAL (PER STACK)		
LUMBER	LINEAR FEET	BOARD FEET
1" X 6"	5.84	2.92

FOR "GENERAL NOTES" AND "MATERIAL SPECIFICATIONS", SEE PAGE 2.



PLAN VIEW

(TYPE III BUNKER MAGAZINE)

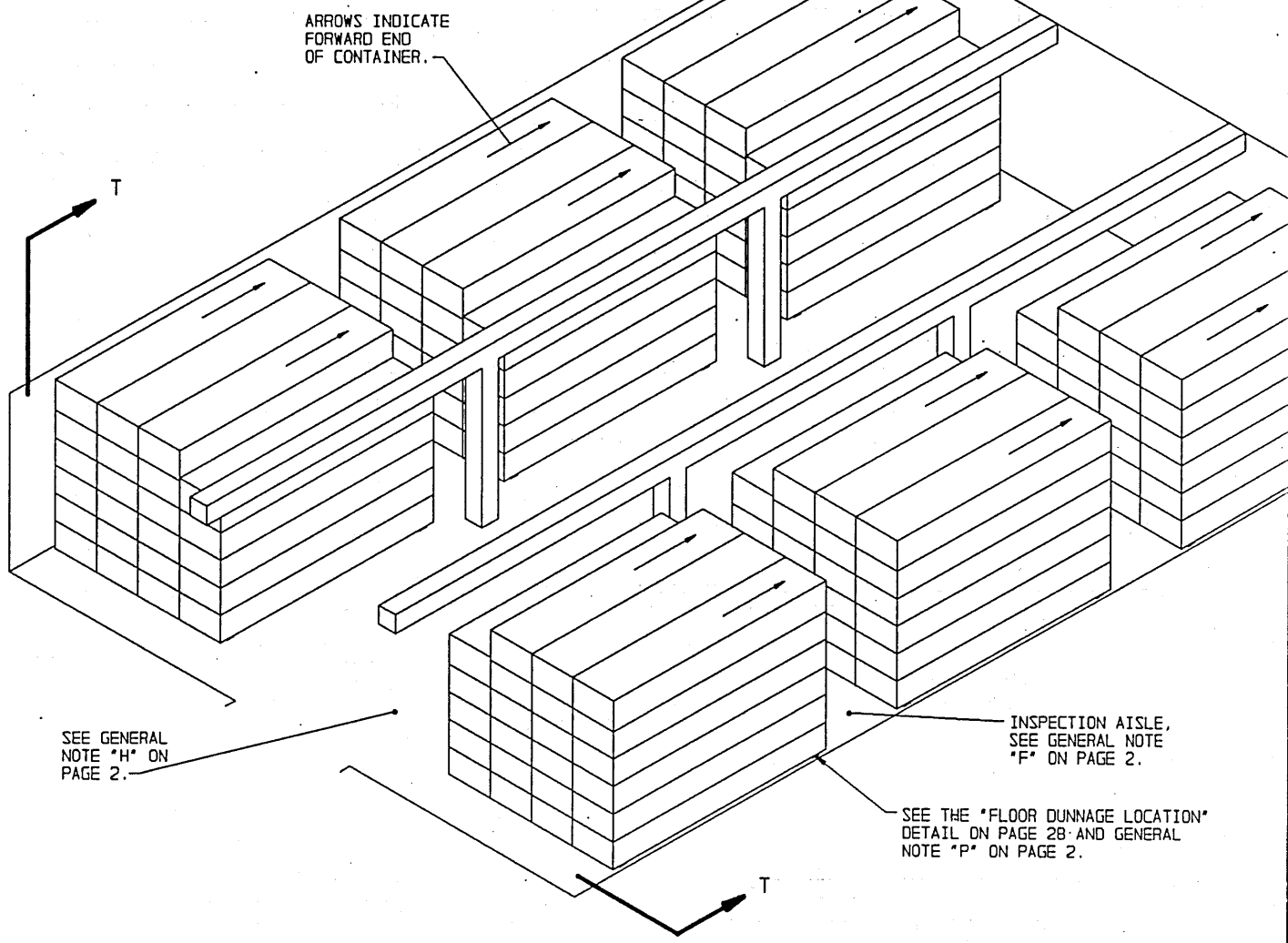


SECTION T-T

FLOOR DUNNAGE, 1" X 6" X 35"
 (2 REOD PER FIRST-LAYER CONTAINER).
 SEE THE "FLOOR DUNNAGE LOCATION" DETAIL
 ON PAGE 28 AND GENERAL NOTE "P" ON PAGE 2.

STORAGE IN TYPE III BUNKER MAGAZINE

ITEM	QUANTITY
CONTAINER - - - - -	138



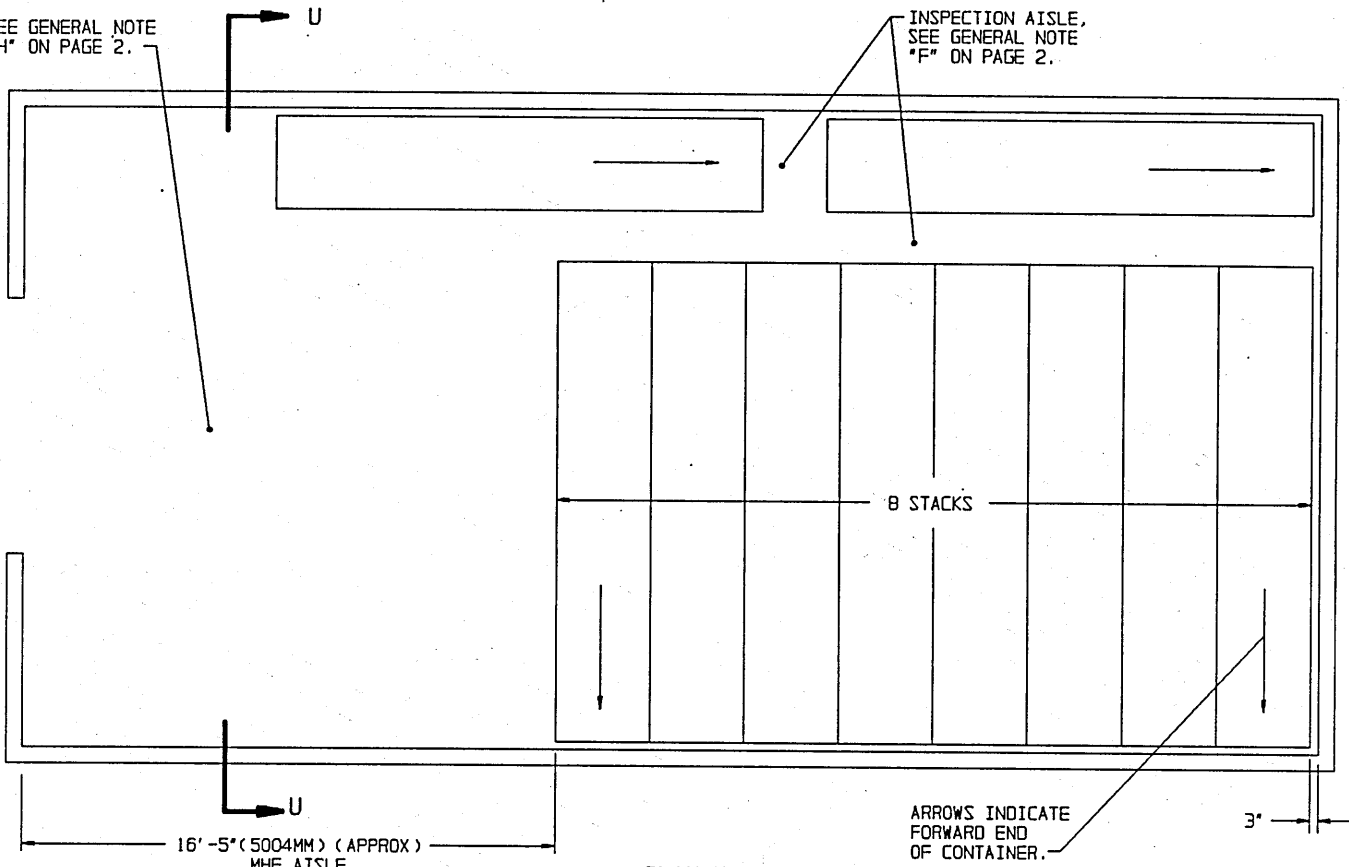
ISOMETRIC VIEW
(TYPE III BUNKER MAGAZINE)

BILL OF MATERIAL (PER STACK)		
LUMBER	LINEAR FEET	BOARD FEET
1" X 6"	5.84	2.92

FOR "GENERAL NOTES" AND "MATERIAL SPECIFICATIONS", SEE PAGE 2.

SEE GENERAL NOTE
"H" ON PAGE 2.

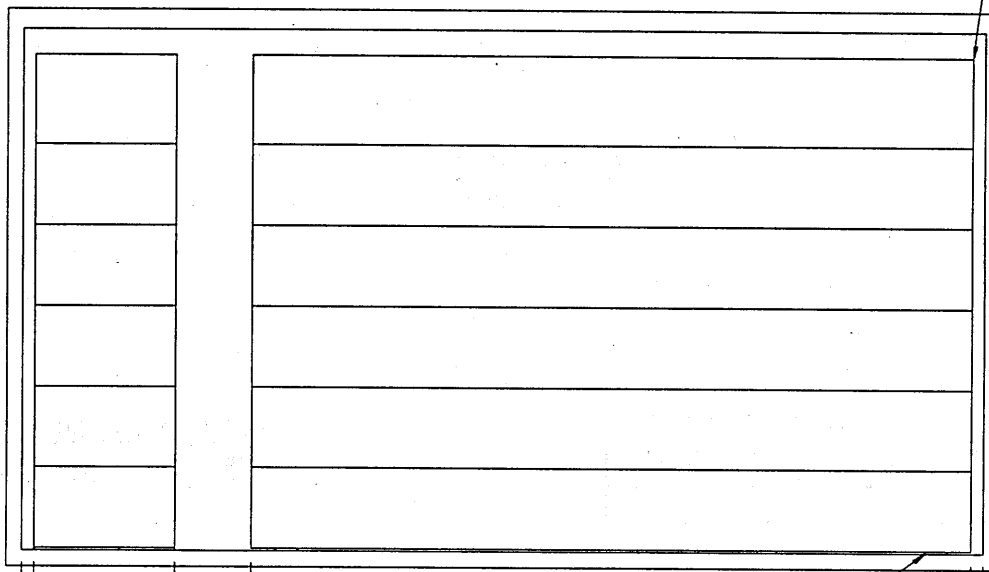
INSPECTION AISLE,
SEE GENERAL NOTE
"F" ON PAGE 2.



PLAN VIEW

(TYPE IV BUNKER MAGAZINE)

SEE GENERAL NOTE
"E" ON PAGE 2.

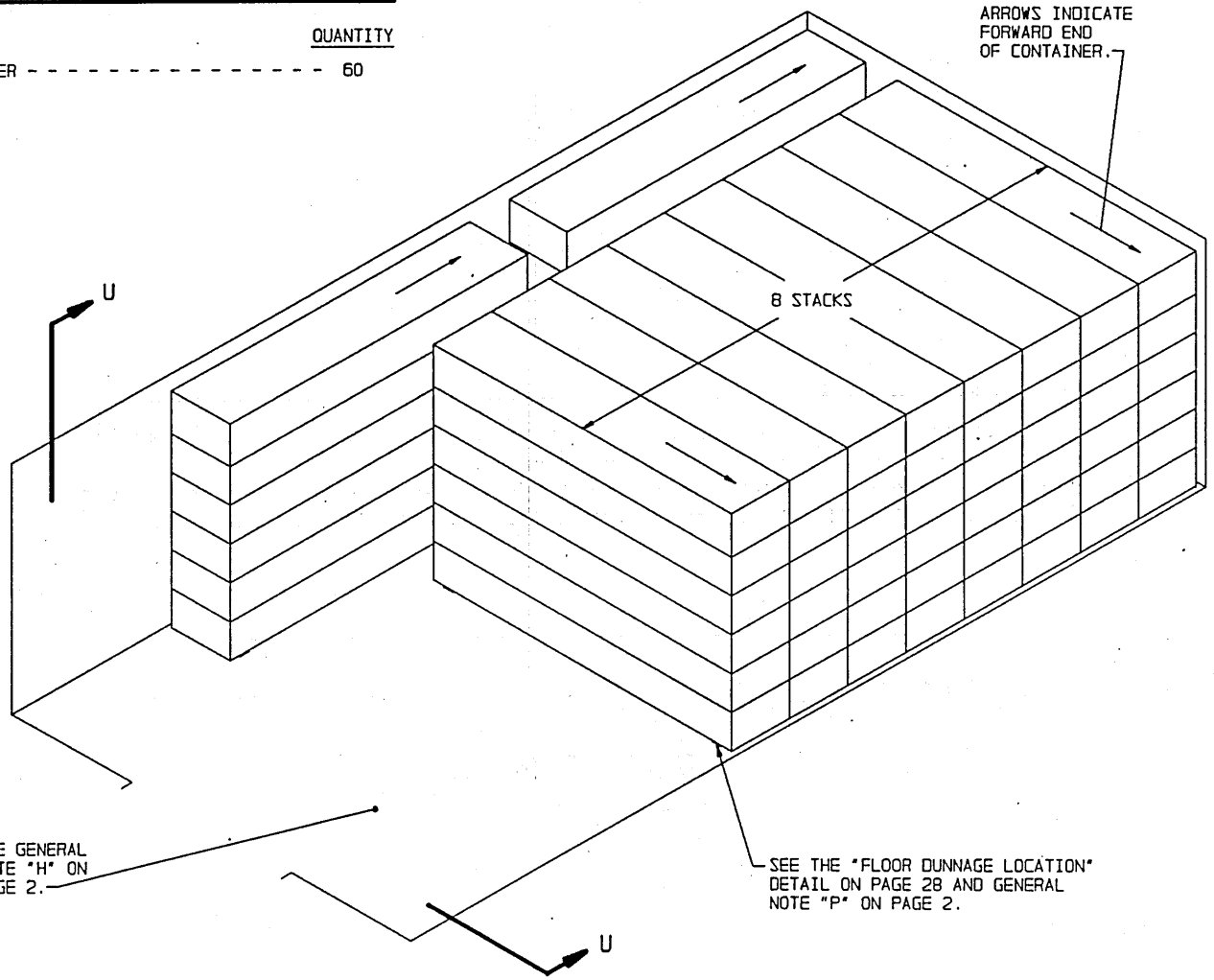


SECTION U-U

FLOOR DUNNAGE, 1" X 6" X 35"
(2 REOD PER FIRST-LAYER CONTAINER).
SEE THE "FLOOR DUNNAGE LOCATION" DETAIL ON
PAGE 28 AND GENERAL NOTE "P" ON PAGE 2.

STORAGE IN TYPE IV BUNKER MAGAZINE

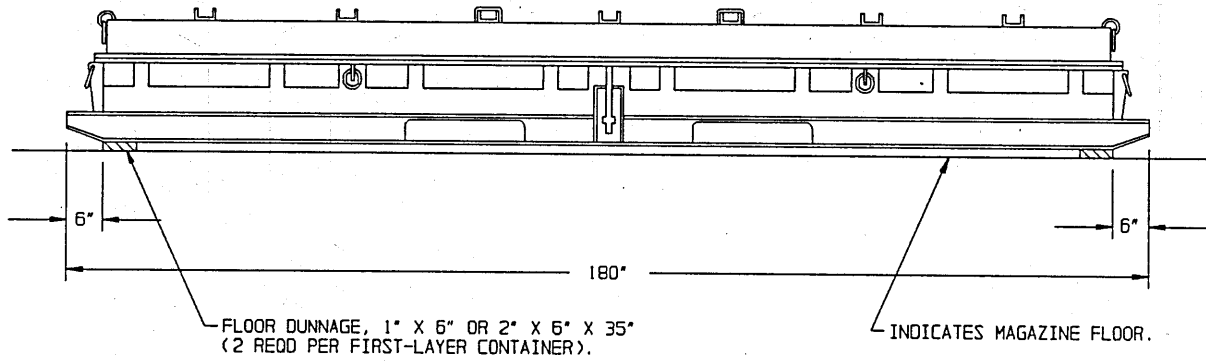
<u>ITEM</u>	<u>QUANTITY</u>
CONTAINER - - - - -	60



ISOMETRIC VIEW
(TYPE IV BUNKER MAGAZINE)

BILL OF MATERIAL (PER STACK)		
LUMBER	LINEAR FEET	BOARD FEET
1" X 6"	5.84	2.92

FOR "GENERAL NOTES" AND "MATERIAL SPECIFICATIONS", SEE PAGE 2.



FLOOR DUNNAGE LOCATION

SEE GENERAL NOTE "P" ON PAGE 2.