

STORAGE IN APPROVED MAGAZINES OF GUIDANCE AND CONTROL UNIT FOR THE SIDEWINDER MISSILE, PACKED 1 PER MK33 METAL CONTAINER, UNITIZED 6 CONTAINERS PER PALLET UNIT

INDEX

ITEM	PAGE (S)
GENERAL NOTES, AND MATERIAL SPECIFICATION -----	2
DETAILS -----	3
<u>STORAGE PROCEDURES</u>	
81'-0" 60'-8" AND 40'-4" L X 28'-6" W X 12'-9" H IGLOO MAGAZINES -----	4, 5
81'-2" L X 26'-6" W X 12'-1-3/4" H ARCH TYPE MAGAZINE (IGLOO) -----	4, 5
80'-0" AND 40'-0" L X 25'-0" W X 12'-1-3/4" H ARCH TYPE MAGAZINES (IGLOO) -----	6, 7
80'-0" AND 40'-0" L X 25'-0" W X 11'-0" H ARCH TYPE MAGAZINES (IGLOO) -----	6, 7
80'-0" AND 40'-0" L X 25'-0" W X 10'-0" H ARCH TYPE MAGAZINES (IGLOO) -----	6, 7
80'-0" L X 25'-0" W X 14'-0" H STRADLEY MAGAZINE -----	8, 9
89'-0" L X 24'-10" W X 14'-4" H OVAL ARCH MAGAZINE -----	8, 9
52'-0" AND 44'-7" DIAMETER CORBETTA MAGAZINES -----	10, 11
100'-8" L X 50'-0" W RECTANGULAR MAGAZINE -----	12, 13
217'-4" L X 50'-3" W STANDARD MAGAZINE -----	14, 15

DO NOT SCALE

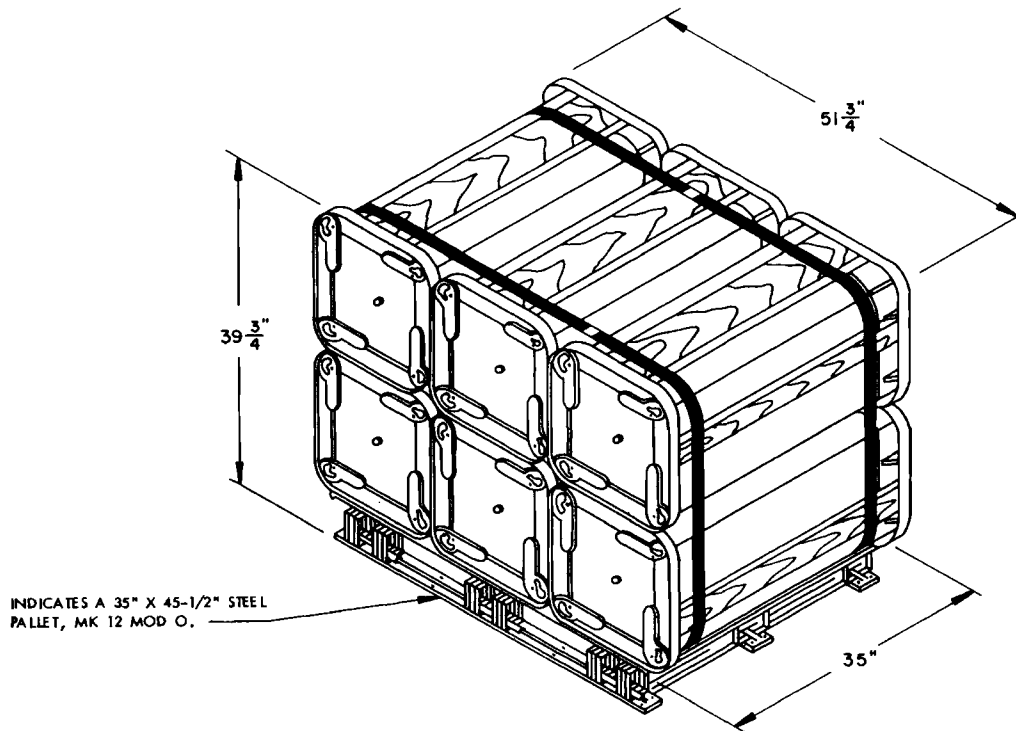
REVISIONS				DRAFTSMAN	PROJ ENG
				<i>D. Blair</i> / <i>dh</i>	<i>RHA/WRF</i>
				CHECKER	LOG ENGRG OFFICE
				<i>GRC</i>	<i>W. B. Smith</i>
APPROVED, U. S. ARMY ARMAMENT MATERIEL READINESS COMMAND					
<i>D. Martin</i>					
APPROVED BY ORDER OF COMMANDING GENERAL, U. S. ARMY MATERIEL DEVELOPMENT AND READINESS COMMAND (DARCOM)					
<i>John S. Boyd</i>					
U. S. ARMY DEFENSE AMMUNITION CENTER AND SCHOOL					
U. S. ARMY DARCOM DRAWING					
JULY 1983					
CLASS	DIVISION	DRAWING	FILE		
19	48	7059/ 3D	SP1-2-3-4- 14-22 PM2		

GENERAL NOTES

- A. THIS DOCUMENT HAS BEEN PREPARED AND ISSUED IN ACCORDANCE WITH AR 740-1 AND AUGMENTS TM 743-200-1 (CHAPTER 5).
- B. THE STORAGE PROCEDURES SPECIFIED IN THIS DRAWING ARE APPLICABLE TO THE GUIDANCE AND CONTROL UNIT (SIDEWINDER) PACKED ONE (1) PER MK33 METAL CONTAINER, UNITIZED SIX (6) CONTAINERS PER PALLET UNIT.
- C. FOR DETAILS OF THE MK33 METAL CONTAINER, UNITIZED SIX (6) CONTAINERS PER PALLET UNIT, SEE THE NAVAL SEA SYSTEMS COMMAND DRAWING WR-54/24 AND THE "PALLET UNIT DETAIL" ON PAGE 3.
- PALLET UNIT DIMENSIONS ----- 35" LONG BY 51-3/4" WIDE BY 39-3/4" HIGH.
GROSS WEIGHT----- 674 POUNDS (APPROX).
- D. THE STORAGE PROCEDURES DEPICTED WITHIN THIS DOCUMENT ARE APPLICABLE FOR STORAGE IN VARIOUS TYPES AND SIZES OF MAGAZINES. THE STORAGE PROCEDURES DEPICTED FOR THE SPECIFIC TYPES OF MAGAZINES MAY BE UTILIZED TO STORE PALLET UNITS IN OTHER TYPES OF APPROVED MAGAZINES. MINOR ADJUSTMENTS MAY BE MADE TO FACILITATE STORAGE IN OTHER TYPES OF MAGAZINES, HOWEVER, THE BASIC PRINCIPALS AS DEPICTED HEREIN WILL BE FOLLOWED.
- E. AISLE DIMENSIONS AS SHOWN HEREIN MAY BE ADJUSTED TO SUIT LOCAL CONDITIONS AND/OR AVAILABLE MATERIAL HANDLING EQUIPMENT.
- F. THE USE OF "FLOOR DUNNAGE" UNDER METAL PALLETS IS OPTIONAL, ALTHOUGH THE USE OF THIS TYPE OF DUNNAGE IS DELINEATED WITHIN THIS STORAGE PROCEDURE DRAWING. THE PURPOSE OF FLOOR DUNNAGE IS TO HELP KEEP THE RUNNERS OF A PALLET DRY, THUS AIDING IN PREVENTING DETERIORATION DUE TO OXIDATION (RUSTING). THEREFORE, FLOOR DUNNAGE SHOULD BE USED WHEN STORING IN A MAGAZINE THAT IS KNOWN TO HAVE A "DAMP" FLOOR. ALSO, IN LIEU OF USING ONE-INCH THICK FLOOR DUNNAGE AS SPECIFIED, THE USE OF THICKER FLOOR DUNNAGE MAY BE REQUIRED, AND SHOULD BE USED TO ACHIEVE THE DESIRED OBJECTIVE.
- G. IF AVAILABLE MHE PERMITS, ADDITIONAL CONTAINERS MAY BE STORED WITHIN THE FRONTAL AREA AND/OR OTHER AVAILABLE AREA OF THE MAGAZINE.
- H. STORED CONTAINERS MUST NOT CONTACT THE WALLS OF A MAGAZINE. TO PROVIDE FOR THIS MANDATORY CLEARANCE REQUIREMENT, CONTAINERS MAY BE ELIMINATED FROM THE DEPICTED STORAGE PATTERN AS NECESSARY.
- J. THE HEIGHT OF THE PACKAGE GUARD ON SOME FORKLIFT TRUCKS MAY NOT PERMIT PLACEMENT OF SOME TOP LAYER PALLET UNITS IN THE STACKS SHOWN IN THE STORAGE VIEWS HEREIN, UNLESS TWO UPPER PALLET UNITS ARE HANDLED AS ONE LIFT OR THE PACKAGE GUARD IS REMOVED (TINE CARRIAGE WILL IN MOST INSTANCES PROVIDE ADEQUATE PACKAGE GUARD PROTECTION). ONLY A FORK LIFT TRUCK OF ADEQUATE CAPACITY WILL BE USED WHEN LIFTING TWO PALLET UNITS AS ONE LIFT.
- K. ANY "LIGHT" PALLETIZED UNIT THAT DOES NOT CONTAIN A FULL QUANTITY OF MK33 CONTAINERS WILL NOT BE BURIED IN STORAGE. IT MUST BE POSITIONED ADJACENT TO AN AISLE AND/OR AT THE FRONT OF A MAGAZINE.
- L. IF THE QUANTITY OF PALLET UNITS FOR A MAGAZINE IS TO BE REDUCED FROM WHAT IS SHOWN HEREIN FOR ANY REASON, SUCH AS A LIMITED QUANTITY TO BE STORED, THE DELINEATED PROCEDURES ARE TO BE ADJUSTED BY OMITTING STACKS RATHER THAN BY OMITTING LAYERS.
- M. OTHER COMPATIBLE ITEMS MAY BE STORED IN A MAGAZINE WHICH IS PARTIALLY FILLED WITH THE DESIGNATED ITEMS.
- N. DUNNAGE LUMBER SPECIFIED THROUGHOUT THIS PROCEDURAL DRAWING IS OF NOMINAL SIZE. FOR EXAMPLE, 1" X 6" MATERIAL IS ACTUALLY 3/4" THICK BY 5-1/2" WIDE OR 2" X 6" MATERIAL IS ACTUALLY 1-1/2" THICK BY 5-1/2" WIDE.
- O. PORTIONS OF THE MAGAZINES, SUCH AS SIDEWALLS, END WALLS, AND ROOFS, HAVE NOT BEEN SHOWN IN THE STORAGE VIEWS FOR CLARITY PURPOSES.
- P. PALLET UNITS PRESENTLY STORED IN ACCORDANCE WITH A PRIOR APPROVED DRAWING NEED NOT BE RE-STORED SOLELY TO CONFORM TO THE PROCEDURES SPECIFIED IN THIS DOCUMENT.
- Q. CONVERSION TO METRIC EQUIVALENTS: DIMENSIONS WITHIN THIS DOCUMENT ARE EXPRESSED IN INCHES, AND WEIGHTS ARE EXPRESSED IN POUNDS. WHEN NECESSARY, THE METRIC EQUIVALENTS MAY BE COMPUTED ON THE BASIS OF ONE INCH EQUALS 25.4MM, AND ONE POUND EQUALS 0.454 KG.
- R. FOR ADDITIONAL GUIDANCE, ATTENTION IS DIRECTED TO THE "SPECIAL NOTES" SECTIONS WHICH ARE IMMEDIATELY ADJACENT TO THE DEPICTED STORAGE METHODS.

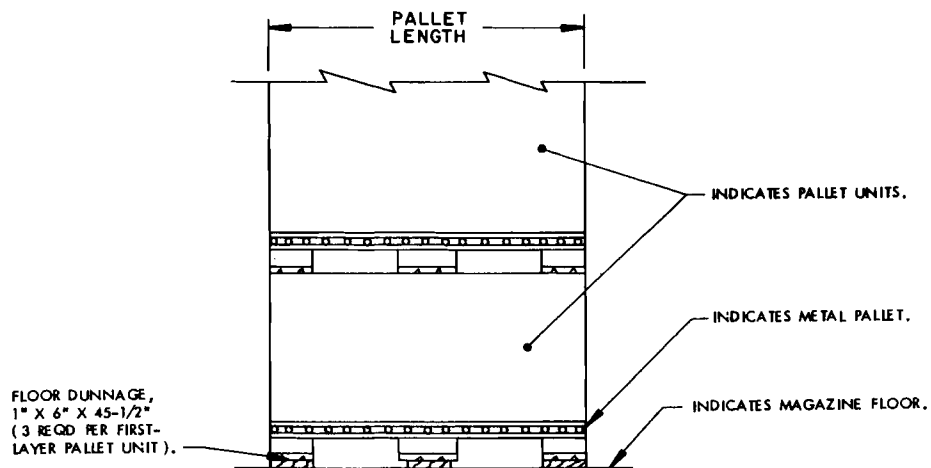
MATERIAL SPECIFICATION

LUMBER ----- : SEE TM 743-200-1, DUNNAGE LUMBER, FED SPEC MM-L-751.



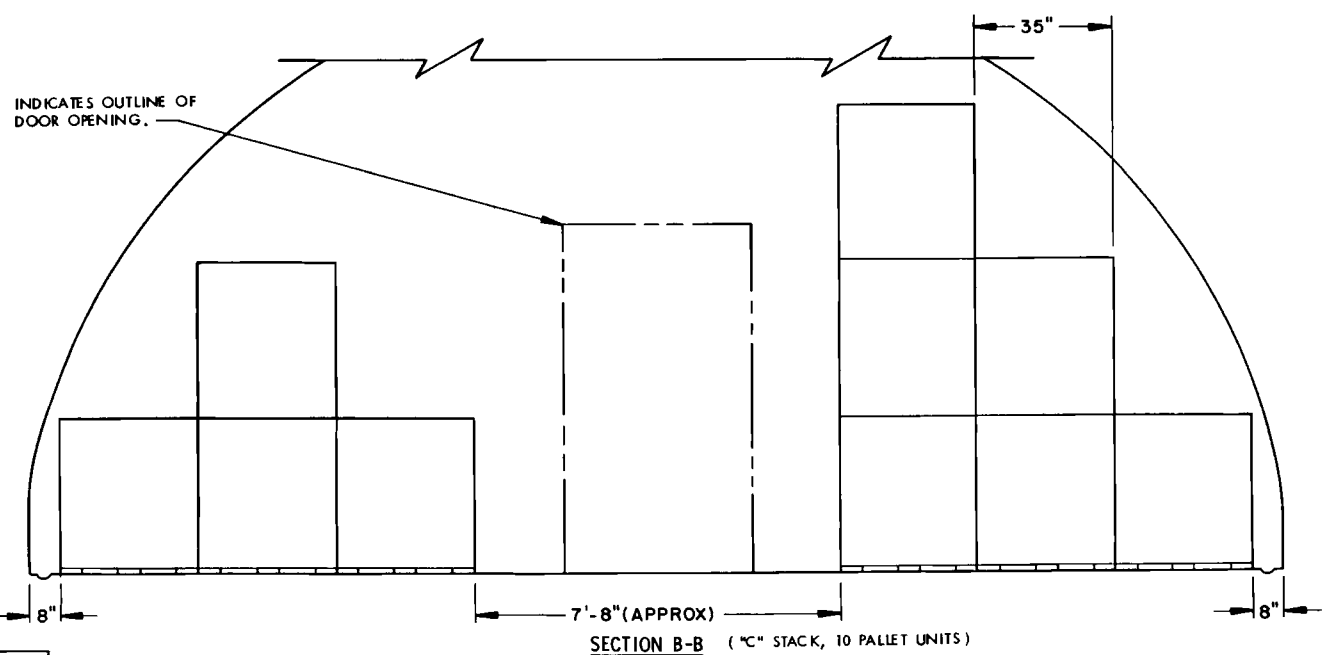
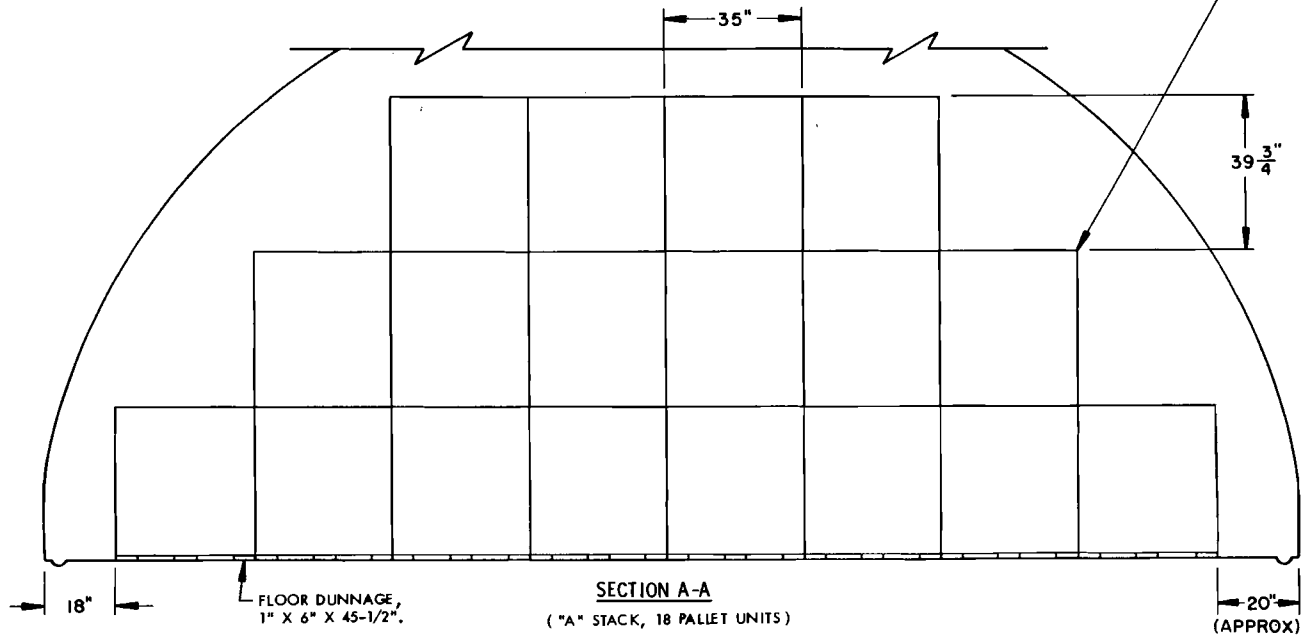
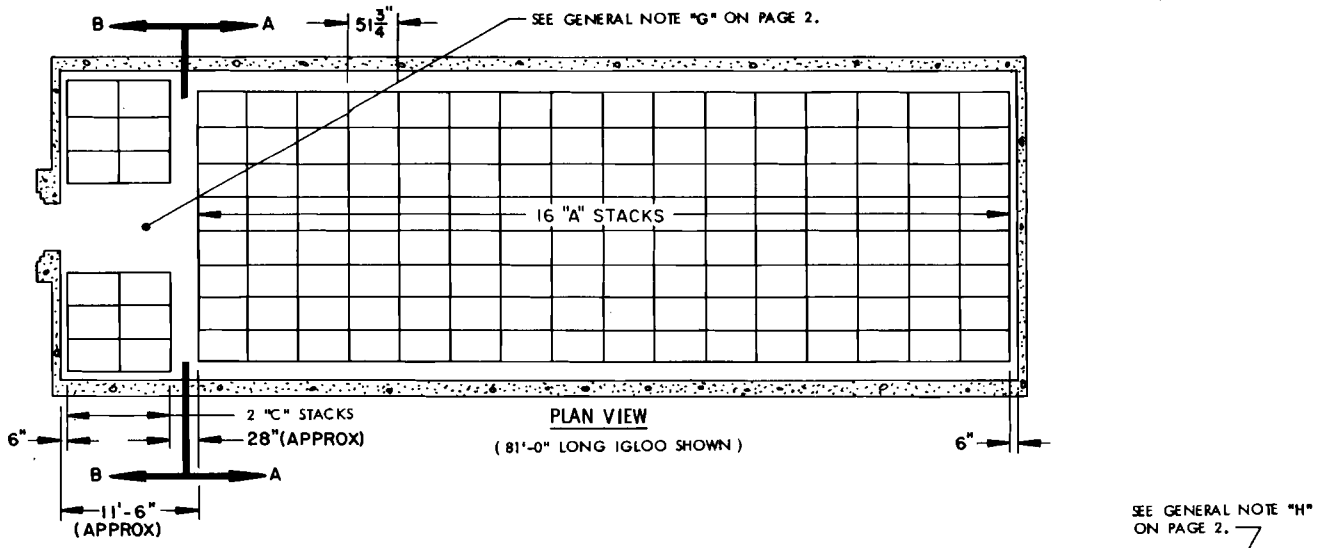
PALLET UNIT DETAIL

SEE GENERAL NOTE "C" ON PAGE 2.



FLOOR DUNNAGE LOCATION.

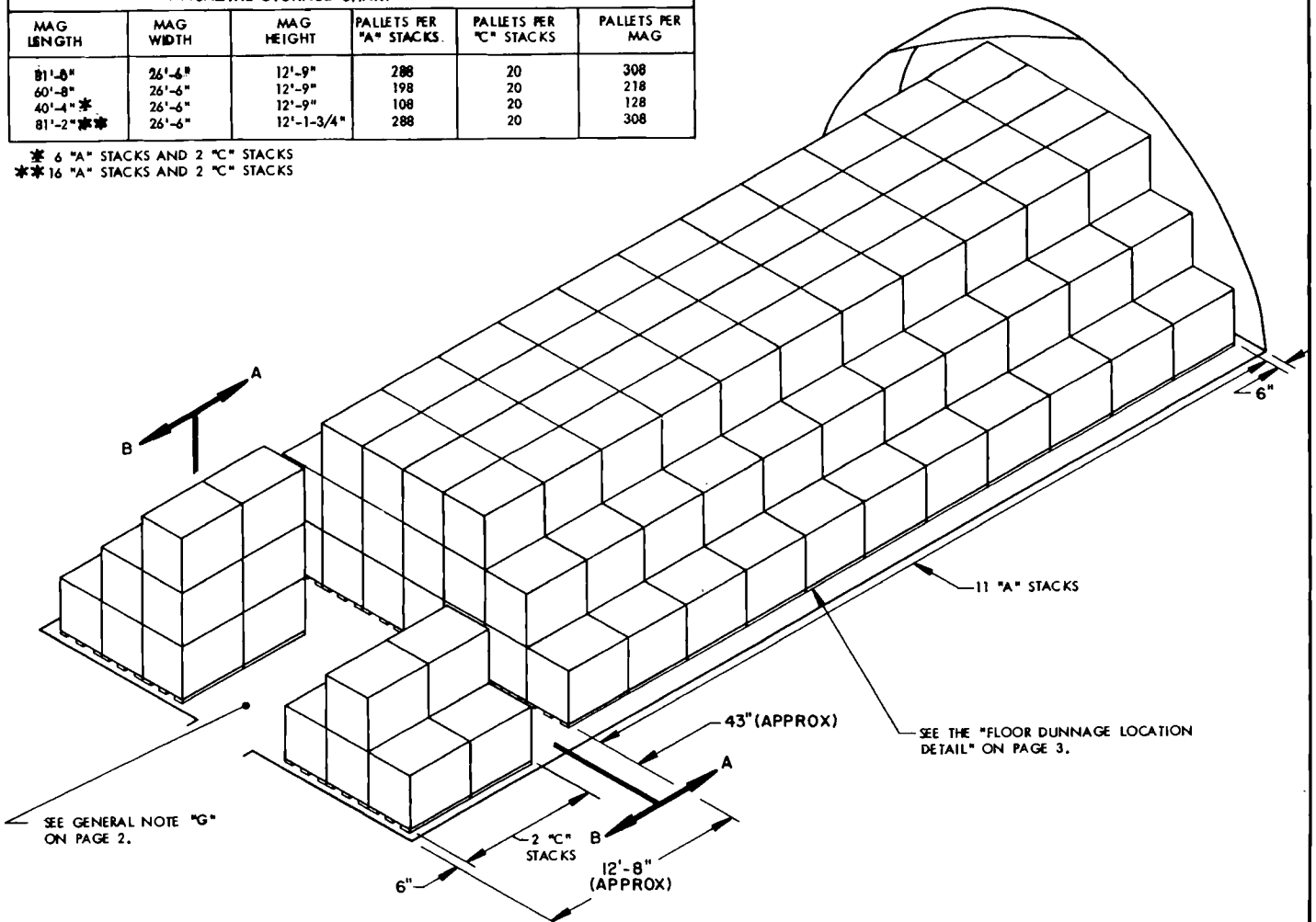
SEE GENERAL NOTE "F" ON PAGE 2.



MAGAZINE STORAGE CHART

MAG LENGTH	MAG WIDTH	MAG HEIGHT	PALLETS PER "A" STACKS	PALLETS PER "C" STACKS	PALLETS PER MAG
81'-0"	26'-6"	12'-9"	288	20	308
60'-8"	26'-6"	12'-9"	198	20	218
40'-4" *	26'-6"	12'-9"	108	20	128
81'-2" **	26'-6"	12'-1-3/4"	288	20	308

* 6 "A" STACKS AND 2 "C" STACKS
 ** 16 "A" STACKS AND 2 "C" STACKS



ISOMETRIC VIEW
 (60'-8" LONG IGLOO)

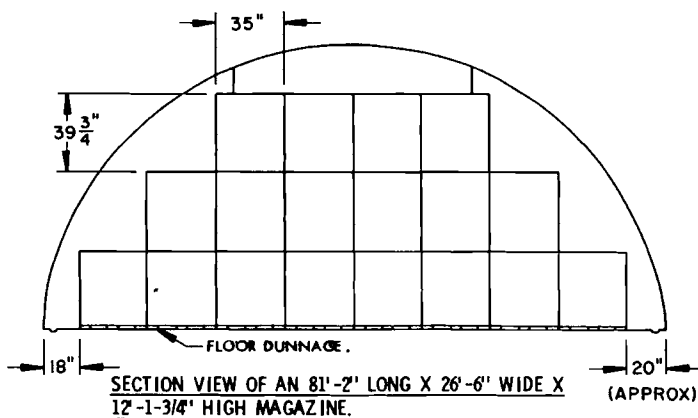
SPECIAL NOTE:

1. THE STORAGE PROCEDURES SHOWN IN THE "PLAN VIEW" ON PAGE 4 ARE FOR AN 81'-0" LONG IGLOO. THE STORAGE PROCEDURES SHOWN IN THE "ISOMETRIC VIEW" ON THIS PAGE ARE FOR A 60'-8" LONG IGLOO. FOR STORAGE IN A 40'-4" LONG IGLOO, SEE THE "MAGAZINE STORAGE CHART" ON THIS PAGE. FOR STORAGE IN AN 81'-2" LONG ARCH TYPE MAGAZINE, SEE THE "MAGAZINE STORAGE CHART" ABOVE AND THE SECTION VIEW OF AN 81'-2" LONG X 26'-6" WIDE X 12'-1-3/4" HIGH MAGAZINE AT LEFT.

BILL OF MATERIAL (PER STACK)

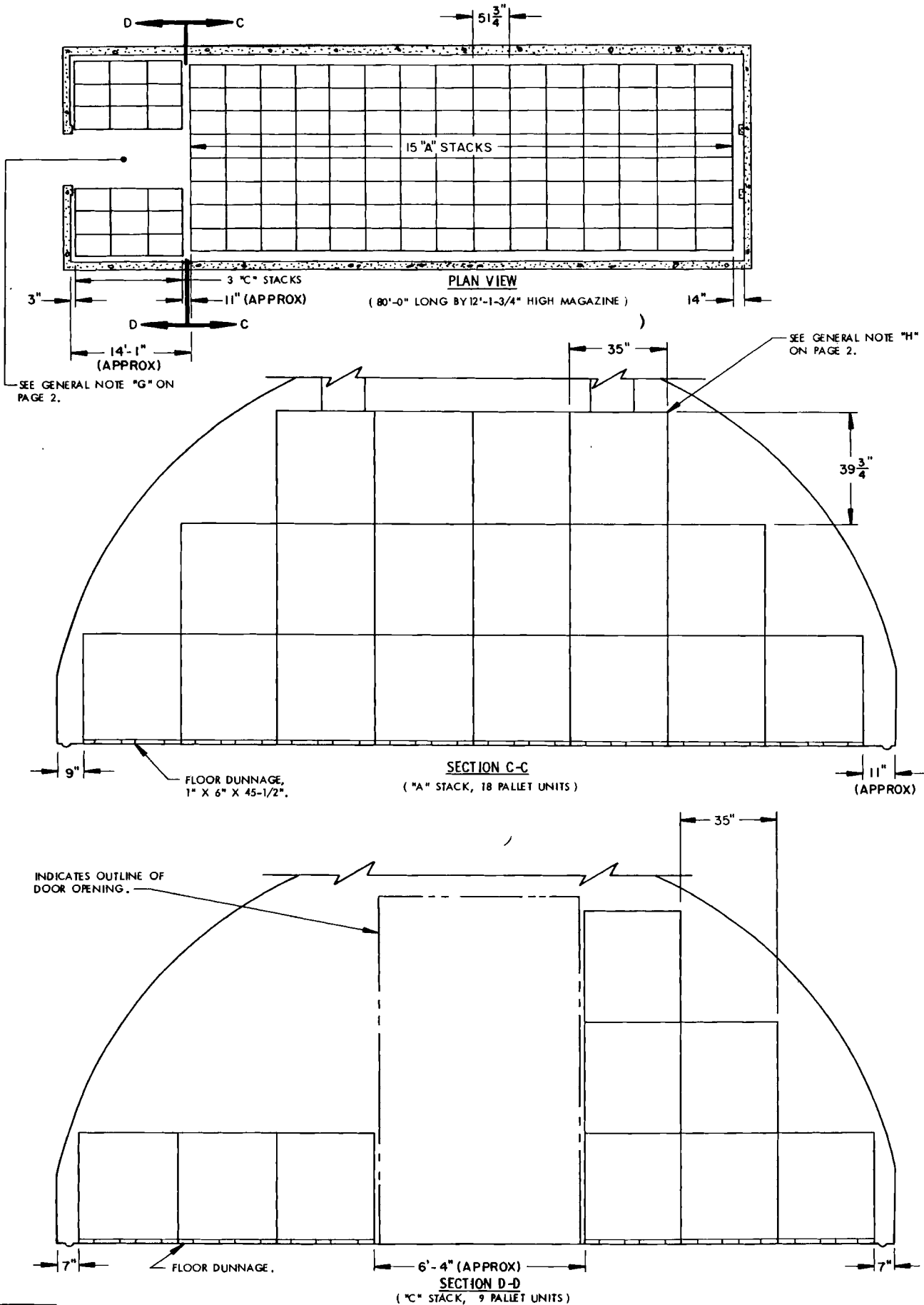
TYPE STACK	1" X 6" DUNNAGE LUMBER	
	LINEAR FEET	BOARD FEET
A	91	45.5
C	68.25	34.13

SEE GENERAL NOTE "F" ON PAGE 2.



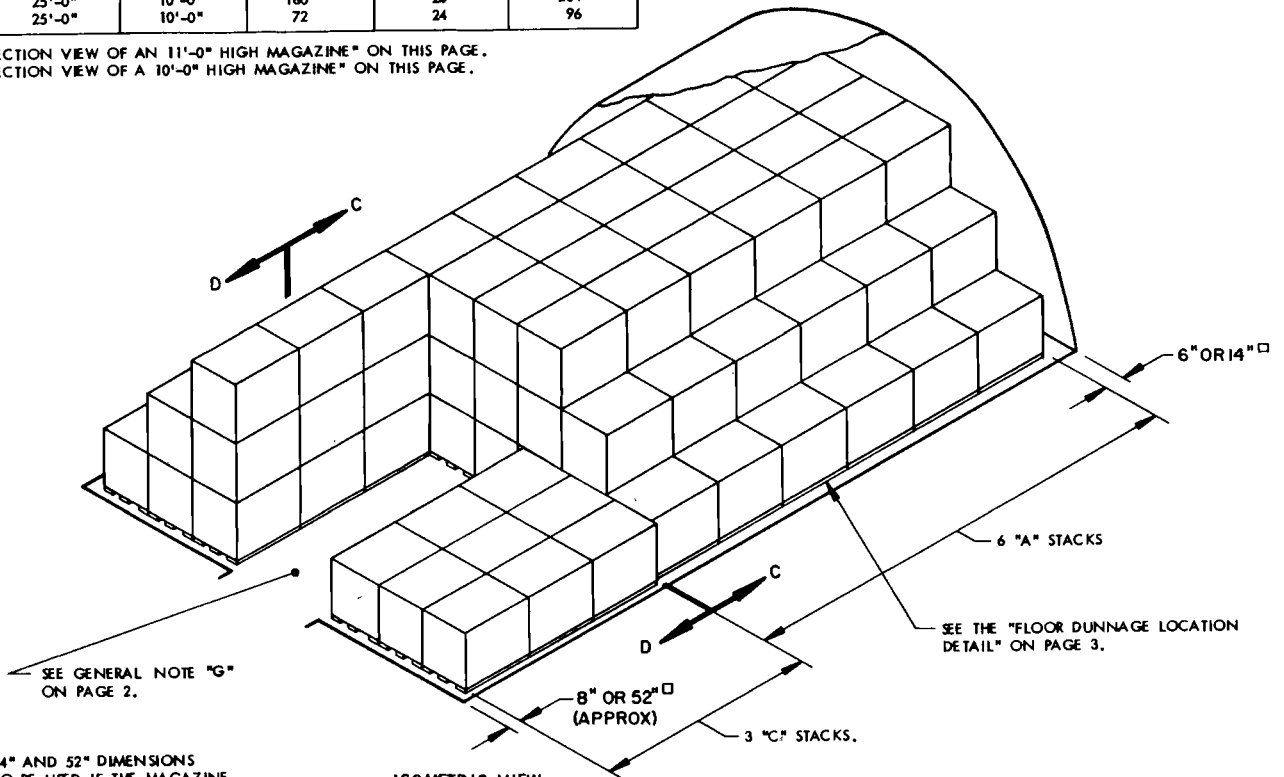
SECTION VIEW OF AN 81'-2" LONG X 26'-6" WIDE X 12'-1-3/4" HIGH MAGAZINE.

FOR "GENERAL NOTES" AND "MATERIAL SPECIFICATIONS",
 SEE PAGE 2



MAGAZINE STORAGE CHART					
MAG LENGTH	MAG WIDTH	MAG HEIGHT	PALLETS PER "A" STACKS	PALLETS PER "C" STACKS	PALLETS PER MAG
80'-0"	25'-0"	12'-1-3/4"	270	27	297
40'-0"	25'-0"	12'-1-3/4"	108	27	135
80'-0" *	25'-0"	11'-0"	225	27	252
40'-0" *	25'-0"	11'-0"	90	18	108
80'-0" **	25'-0"	10'-0"	180	24	204
40'-0" **	25'-0"	10'-0"	72	24	96

* SEE "SECTION VIEW OF AN 11'-0" HIGH MAGAZINE" ON THIS PAGE.
 ** SEE "SECTION VIEW OF A 10'-0" HIGH MAGAZINE" ON THIS PAGE.



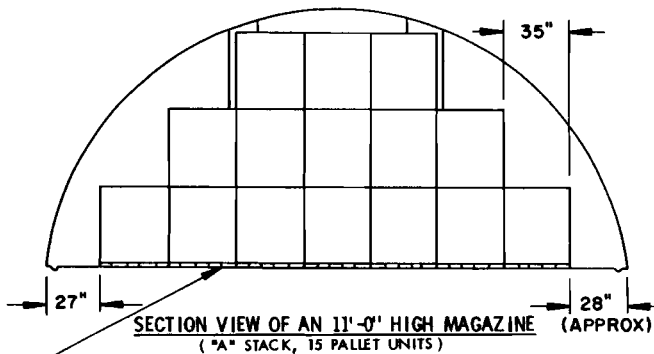
□ THE 14" AND 52" DIMENSIONS ARE TO BE USED IF THE MAGAZINE HAS REAR SUPPORT PILASTERS. NOTE THAT ONLY TWO "C" STACKS CAN BE STORED WHEN THE MAGAZINE HAS THE REAR SUPPORT PILASTERS.

ISOMETRIC VIEW
 (40'-0" LONG MAGAZINE)

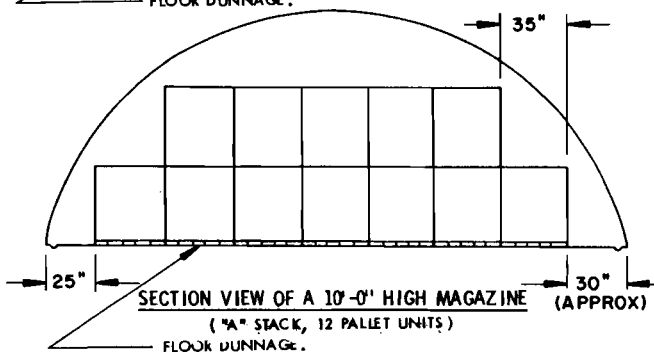
SPECIAL NOTE:

1. THE STORAGE PROCEDURES SHOWN IN THE "PLAN VIEW" ON PAGE 6 ARE FOR AN 80'-0" LONG BY 25'-0" WIDE BY 12'-1-3/4" HIGH ARCH TYPE MAGAZINE. THE STORAGE PROCEDURES SHOWN IN THE "ISOMETRIC VIEW" ON THIS PAGE ARE FOR A 40'-0" LONG BY 25'-0" WIDE BY 12'-1-3/4" HIGH ARCH TYPE MAGAZINE. FOR STORAGE IN AN 80'-0" LONG BY 25'-0" WIDE BY 11'-0" HIGH AND/OR A 40'-0" LONG BY 25'-0" WIDE BY 11'-0" HIGH ARCH TYPE MAGAZINE, SEE THE "MAGAZINE STORAGE CHART" ABOVE AND THE "SECTION VIEW OF AN 11'-0" HIGH MAGAZINE" AT LEFT. FOR STORAGE IN AN 80'-0" LONG BY 25'-0" WIDE BY 10'-0" HIGH AND/OR A 40'-0" LONG BY 25'-0" WIDE BY 10'-0" HIGH ARCH TYPE MAGAZINE, SEE THE "MAGAZINE STORAGE CHART" ABOVE AND THE "SECTION VIEW OF A 10'-0" HIGH MAGAZINE" AT LEFT.

FOR "GENERAL NOTES" AND "MATERIAL SPECIFICATION", SEE PAGE 2.



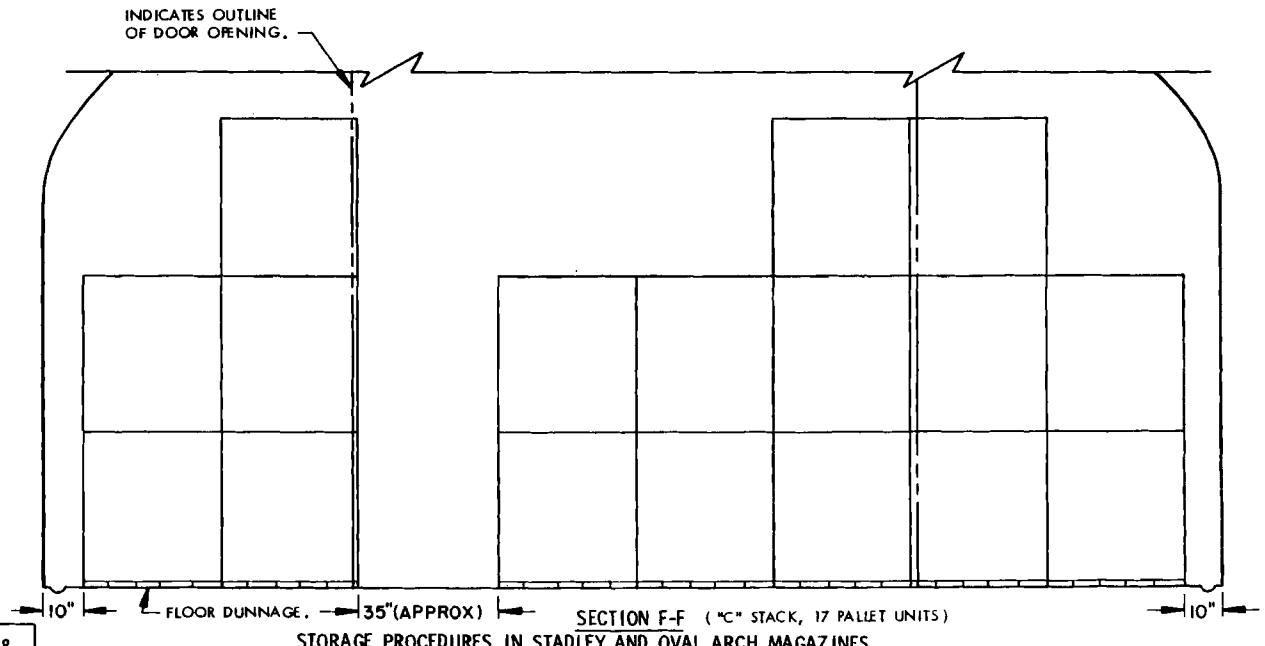
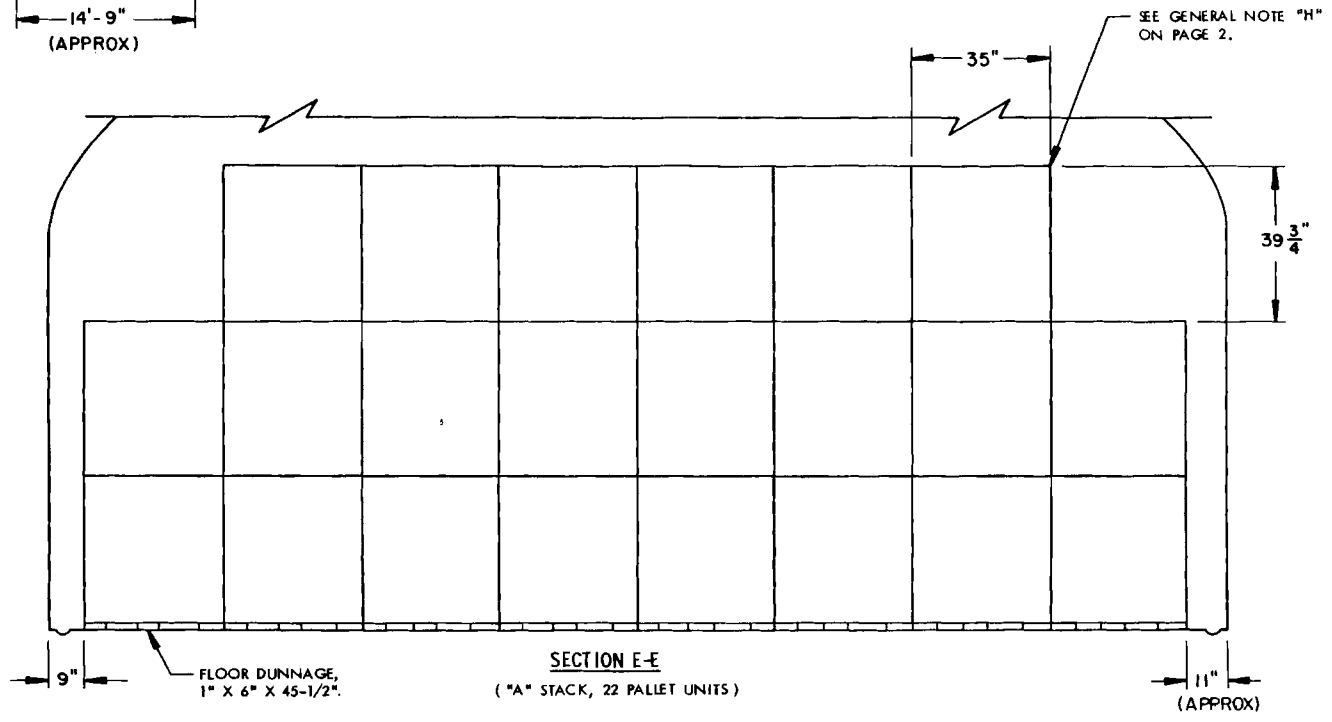
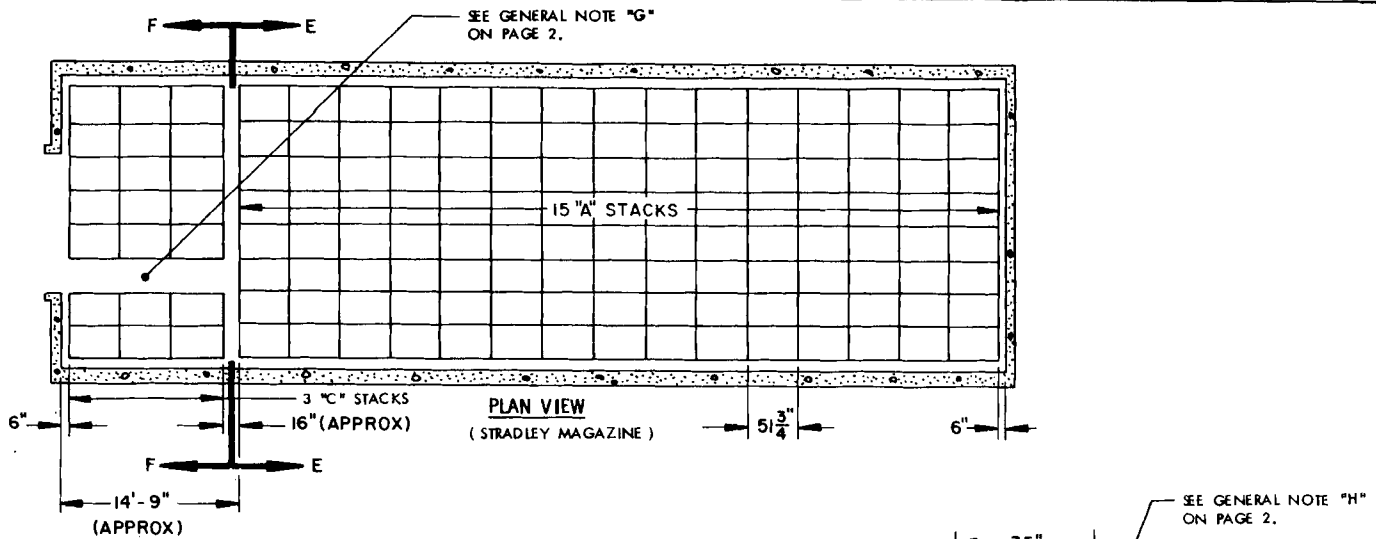
SECTION VIEW OF AN 11'-0" HIGH MAGAZINE (APPROX)
 ("A" STACK, 15 PALLET UNITS)



SECTION VIEW OF A 10'-0" HIGH MAGAZINE (APPROX)
 ("A" STACK, 12 PALLET UNITS)

BILL OF MATERIAL (PER STACK) ●			
MAG HEIGHT	TYPE STACK	1" X 6" DUNNAGE LUMBER	
		LINEAR FEET	BOARD FEET
12'-1-3/4"	A	91	45.5
	C	68.25	34.13
11'-0"	A	79.63	39.81
	C	68.25	34.13
10'-0"	A	79.63	39.81
	C	68.25	34.13

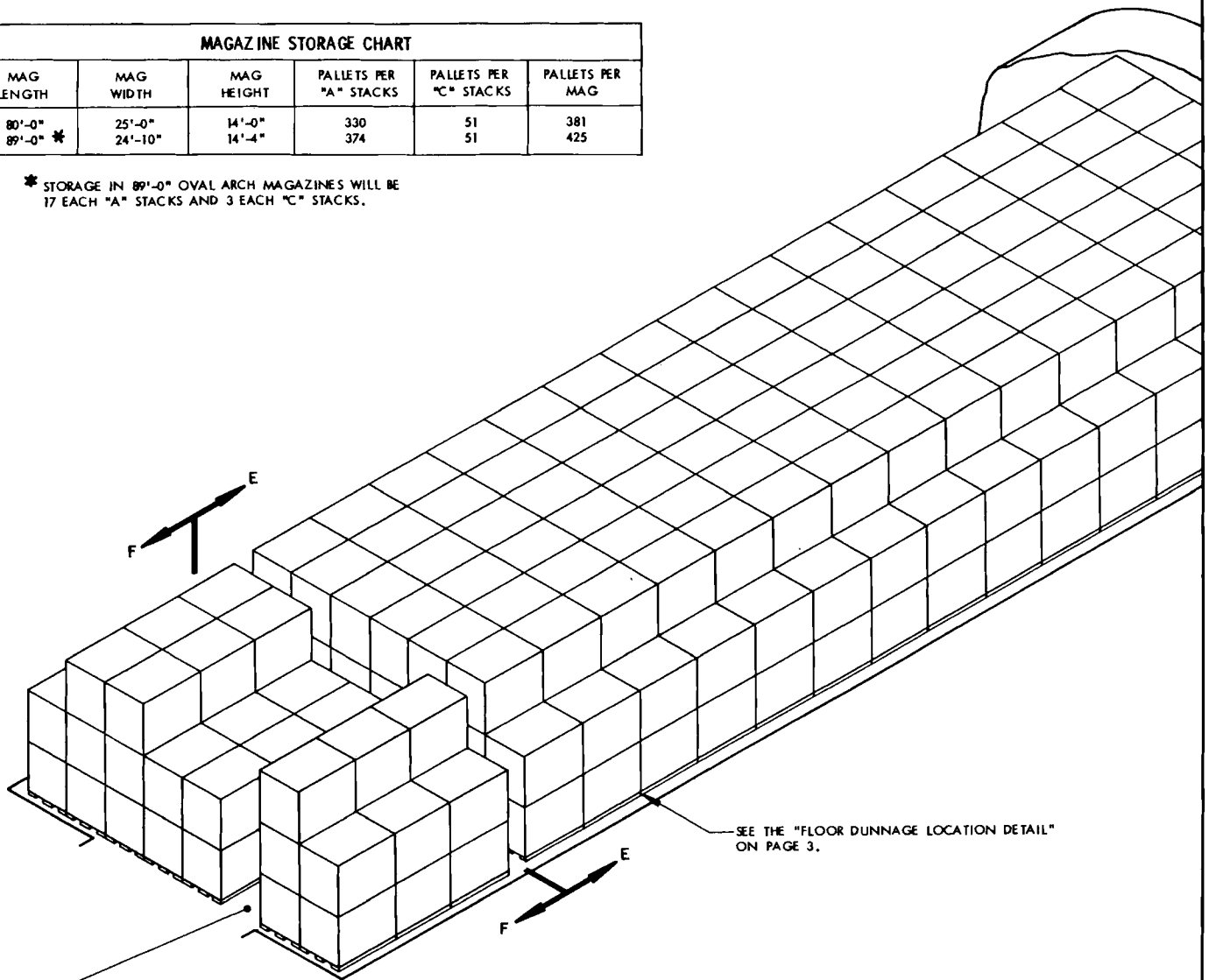
● SEE GENERAL NOTE "F" ON PAGE 2.



STORAGE PROCEDURES IN STRADLEY AND OVAL ARCH MAGAZINES

MAGAZINE STORAGE CHART					
MAG LENGTH	MAG WIDTH	MAG HEIGHT	PALLETS PER "A" STACKS	PALLETS PER "C" STACKS	PALLETS PER MAG
80'-0"	25'-0"	14'-0"	330	51	381
89'-0" *	24'-10"	14'-4"	374	51	425

* STORAGE IN 89'-0" OVAL ARCH MAGAZINES WILL BE 17 EACH "A" STACKS AND 3 EACH "C" STACKS.



SEE GENERAL NOTE "G" ON PAGE 2.

ISOMETRIC VIEW
(STRADLEY MAGAZINE)

SEE THE "FLOOR DUNNAGE LOCATION DETAIL" ON PAGE 3.

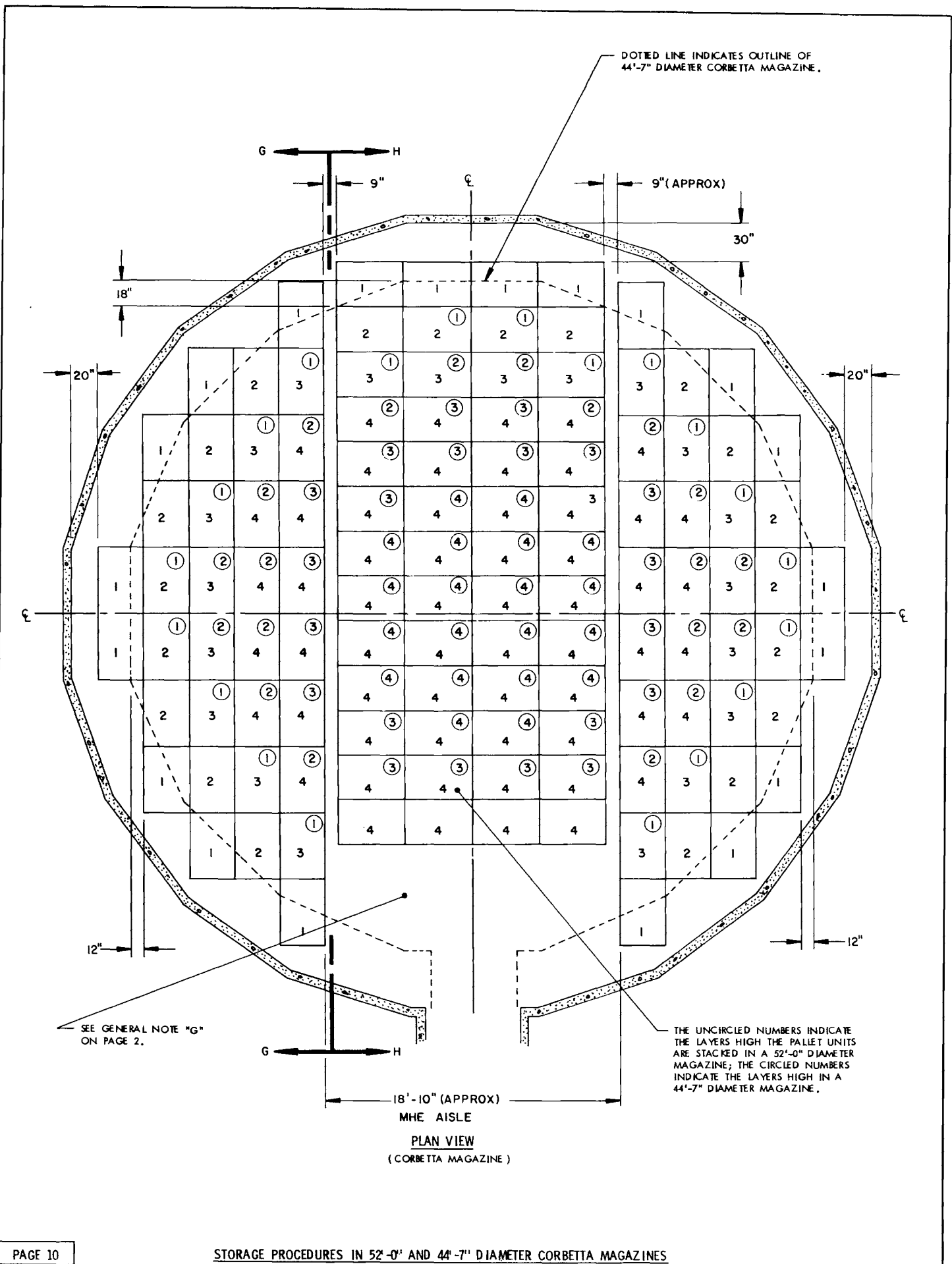
SPECIAL NOTE:

1. THE STORAGE PROCEDURES SHOWN IN THE "PLAN VIEW" ON PAGE 8 AND THE "ISOMETRIC VIEW" ON THIS PAGE ARE FOR THE STRADLEY MAGAZINE. FOR STORAGE IN OVAL ARCH MAGAZINE, SEE THE "MAGAZINE STORAGE CHART" ABOVE.

BILL OF MATERIAL (PER STACK) [○]		
TYPE STACK	1" X 6" DUNNAGE LUMBER	
	LINEAR FEET	BOARD FEET
A	91	45.5
C	79.63	39.81

[○] SEE GENERAL NOTE "F" ON PAGE 2.

FOR "GENERAL NOTES" AND MATERIAL SPECIFICATIONS",
SEE PAGE 2

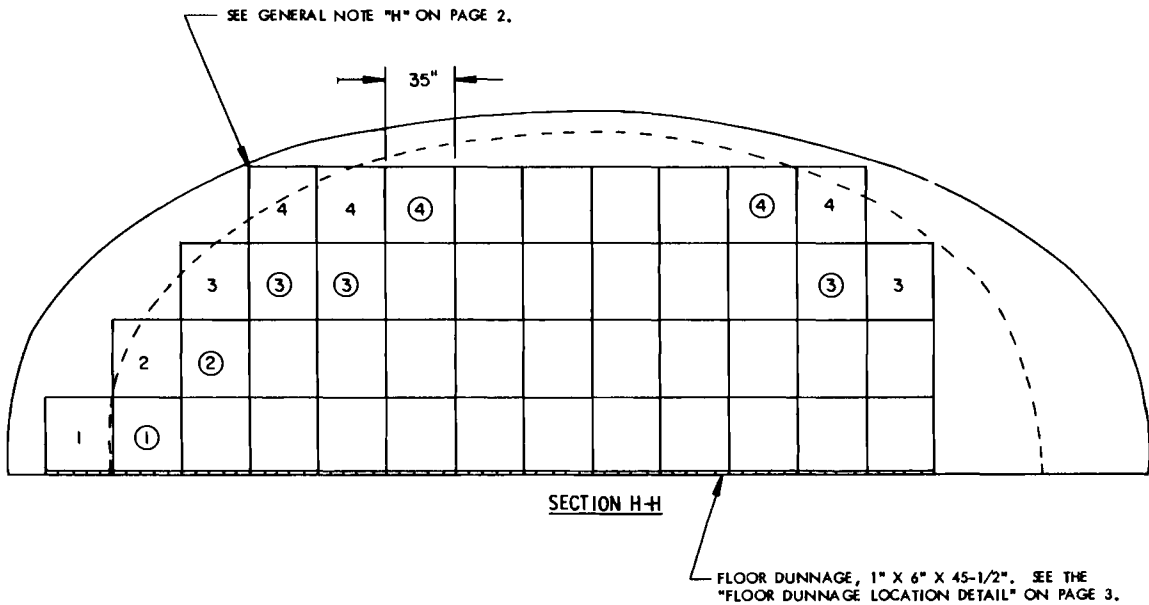
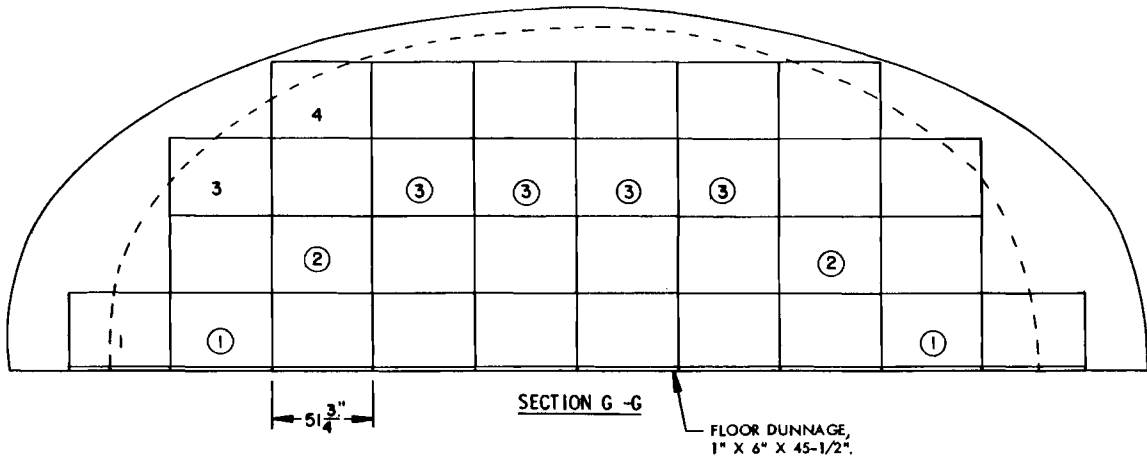


STORAGE IN 52'-0" DIAMETER CORBETTA MAGAZINE

ITEM _____ QUANTITY _____
 PALLET UNIT ----- 360

STORAGE IN 44'-7" DIAMETER CORBETTA MAGAZINE

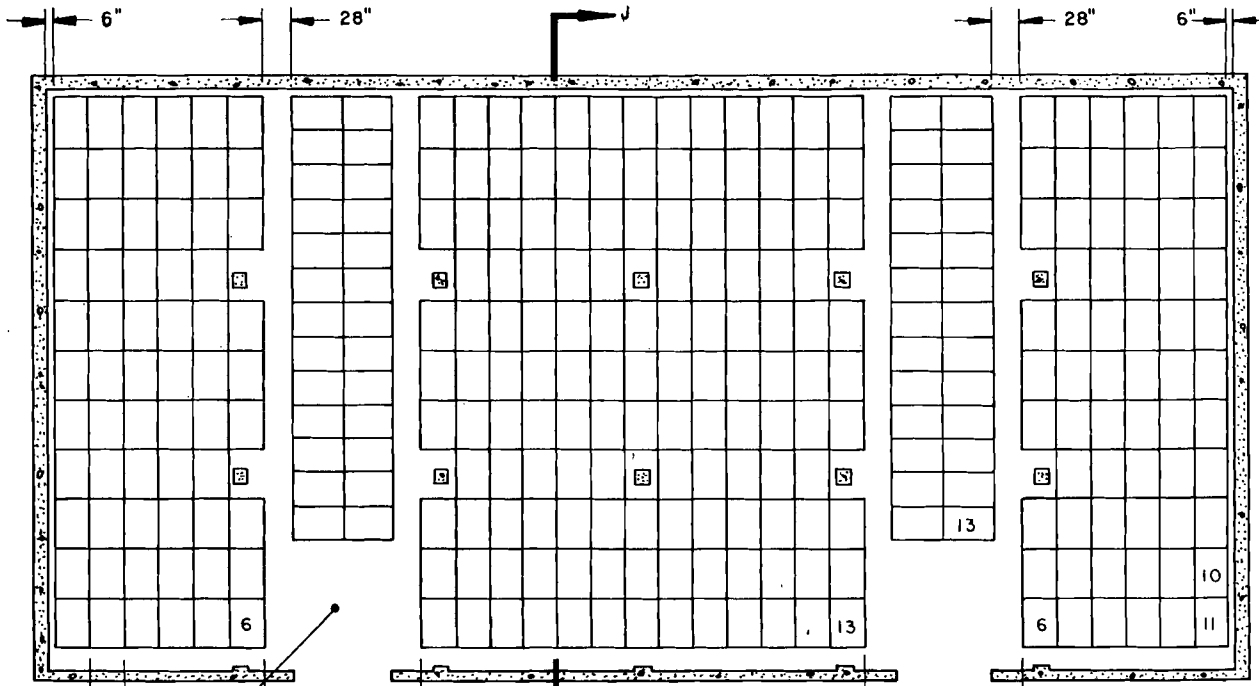
ITEM _____ QUANTITY _____
 PALLET UNIT ----- 206



BILL OF MATERIAL (PER FIRST LAYER PALLET UNIT) [○]		
LUMBER	LINEAR FEET	BOARD FEET
1" X 6"	11.38	5.69

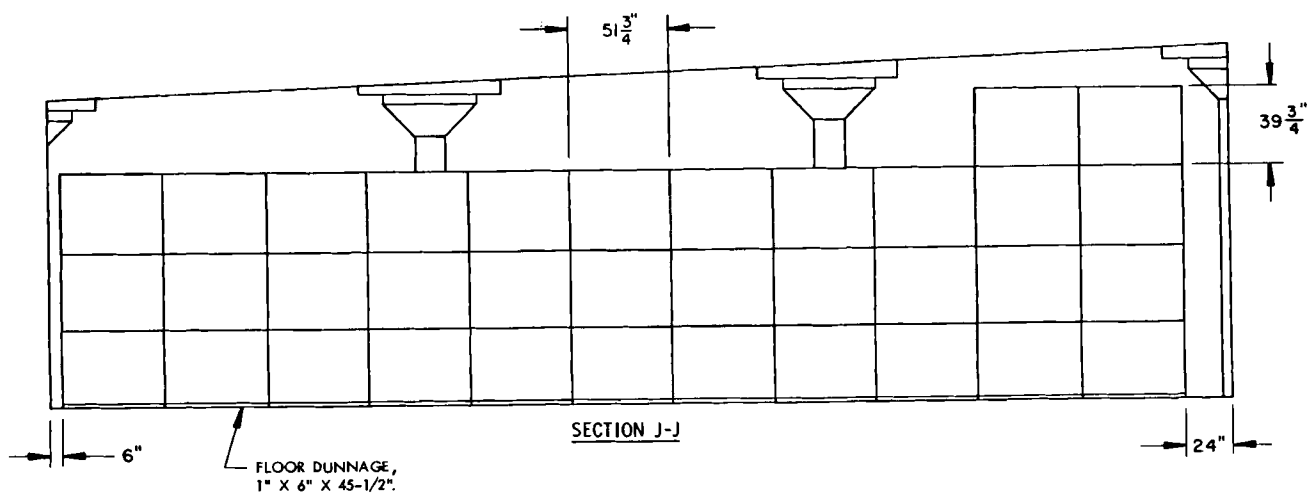
[○] SEE GENERAL NOTE "F" ON PAGE 2.

FOR "GENERAL NOTES" AND "MATERIAL SPECIFICATION",
 SEE PAGE 2.



PLAN VIEW
(100'-8" LONG BY 50'-0" WIDE MAGAZINE)

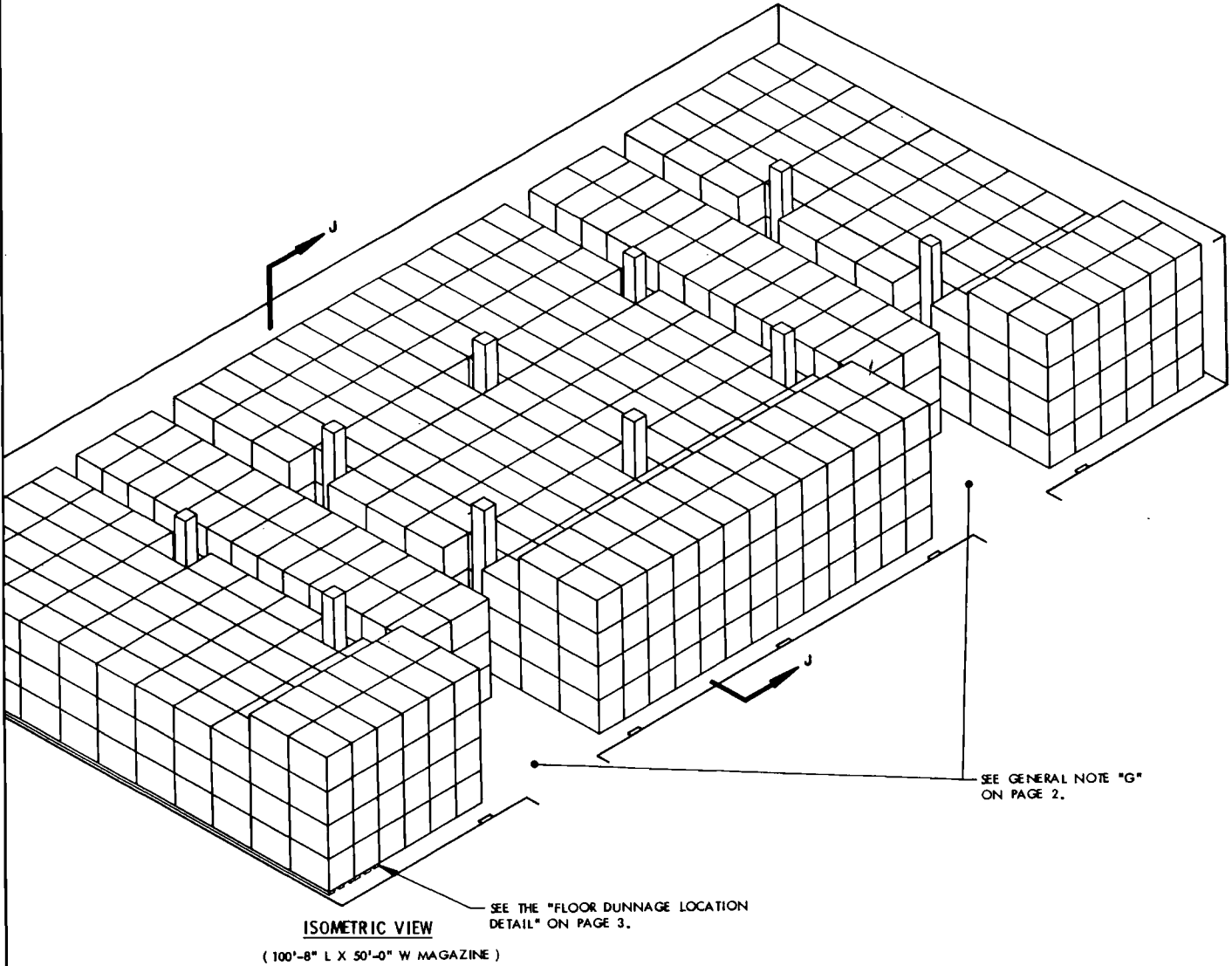
SEE GENERAL NOTE "G" ON PAGE 2.



SECTION J-J

STORAGE IN 100'-8" LONG BY 50'-0" WIDE RECTANGULAR MAGAZINE

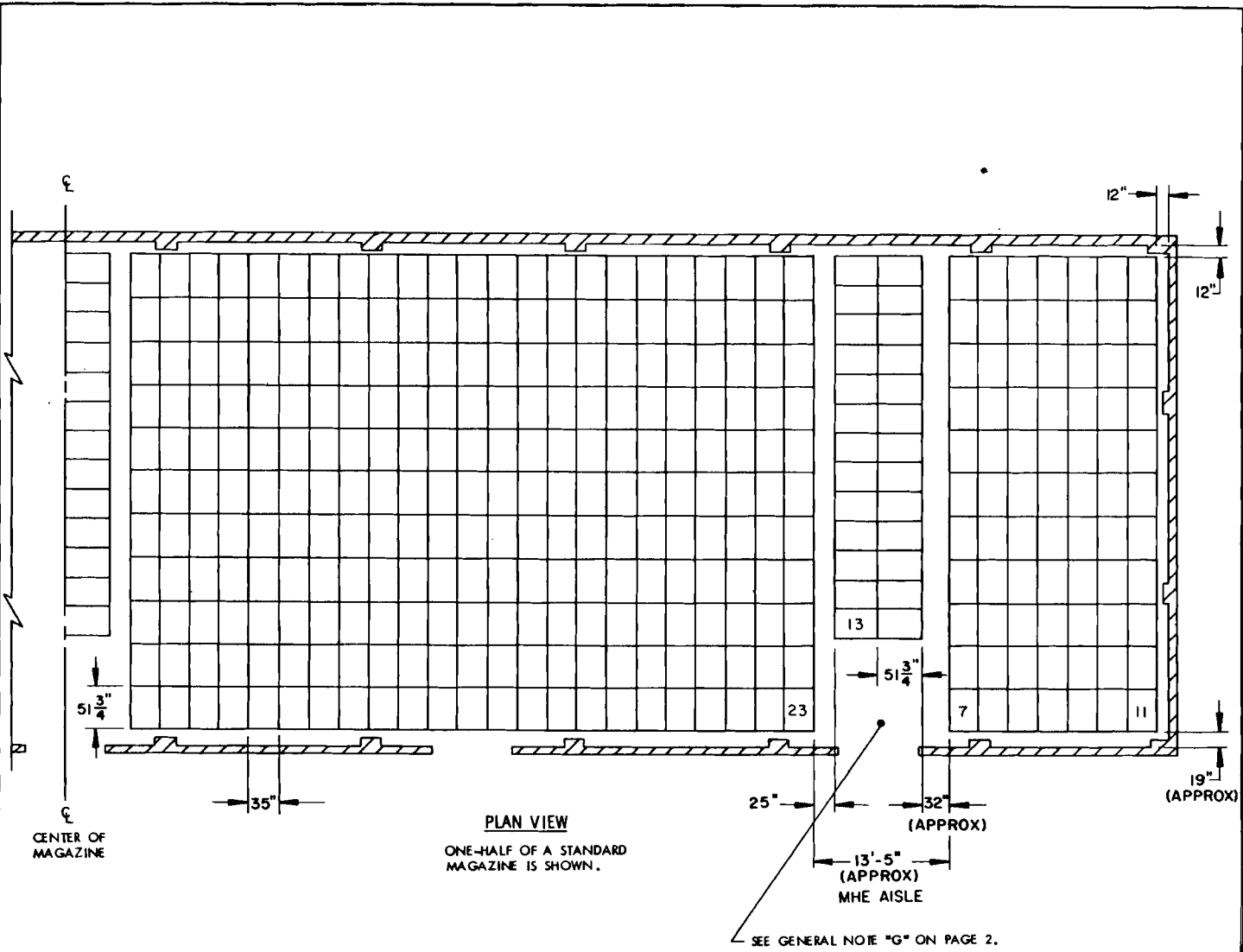
ITEM	QUANTITY
PALLET UNITS PER MAGAZINE	1,001



FOR "GENERAL NOTES" AND "MATERIAL SPECIFICATIONS",
SEE PAGE 2.

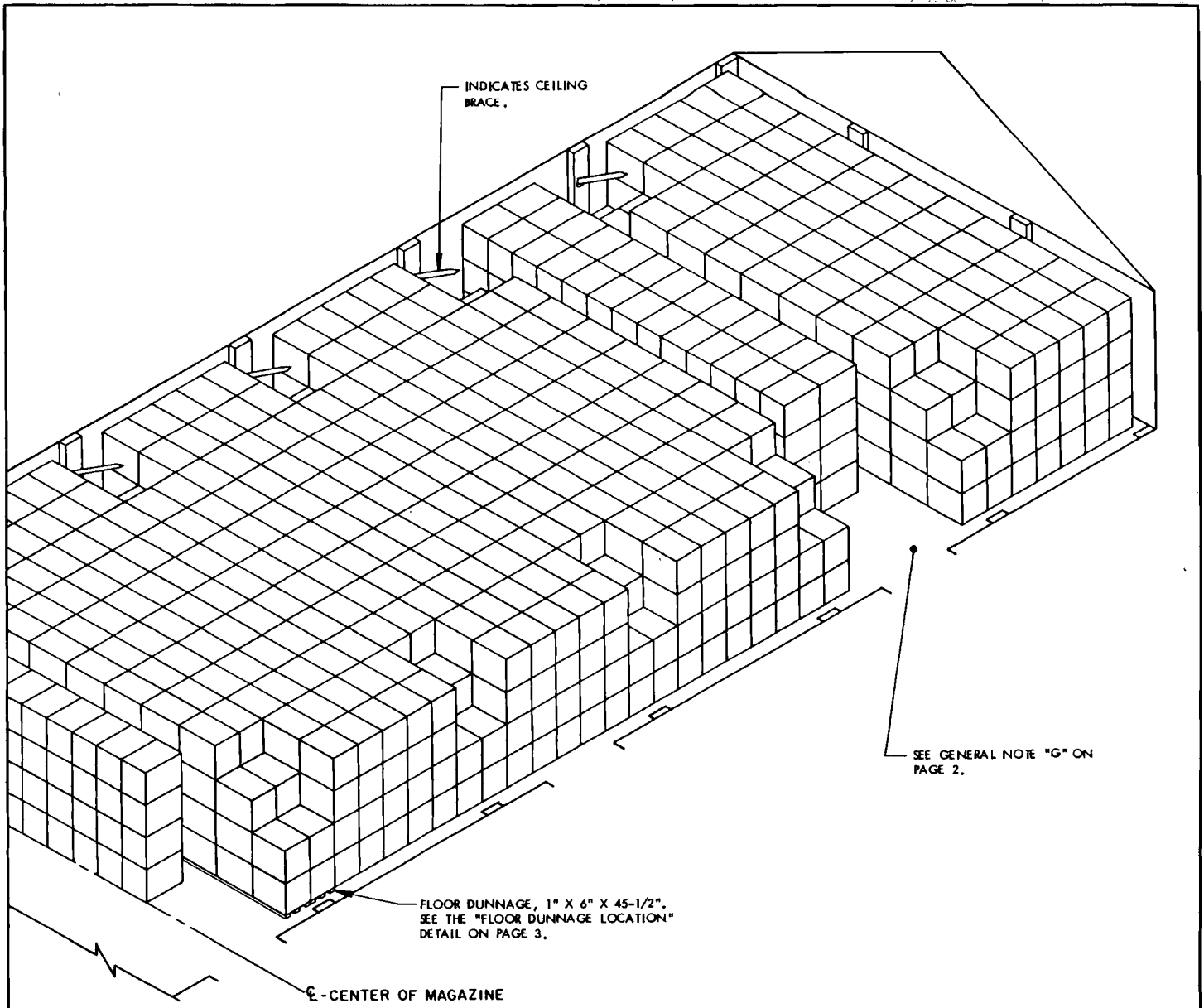
BILL OF MATERIAL (PER FIRST LAYER PALLET UNIT) [○]		
LUMBER	LINEAR FEET	BOARD FEET
1" X 6"	11.38	5.69

[○]SEE GENERAL NOTE "F" ON PAGE 2.



STORAGE IN ONE-HALF OF A STANDARD MAGAZINE

<u>ITEM</u>	<u>QUANTITY</u>
PALLET UNITS PER ONE-HALF MAGAZINE -----	1,416



ISOMETRIC VIEW
ONE-HALF OF A STANDARD
MAGAZINE IS SHOWN.

BILL OF MATERIAL (PER FIRST LAYER PALLET UNIT) ○		
LUMBER	LINEAR FEET	BOARD FEET
1" X 6"	11.38	5.69

○ SEE GENERAL NOTE "F" ON PAGE 2.

FOR "GENERAL NOTES" AND "MATERIAL SPECIFICATIONS"
SEE PAGE 2.

