

STORAGE IN APPROVED MAGAZINES OF MXU-650/B, MXU-651/B AND MXU-667/B AIRFOIL GROUPS PACKAGED IN METAL DRUMS UNPALLETIZED (BUNDLED ON PALLETS) AND PALLETIZED

ITEM	INDEX	BUNDLED	PALLETIZED
		UNITS	UNITS
		PAGE(S)	
GENERAL NOTES, AND MATERIAL SPECIFICATIONS - - - - -		2	2
UNIT DETAILS - - - - -		3	27
STORAGE PROCEDURES FOR THE MXU-650/B:			
81'-0", 60'-8" AND 40'-4" L X 26'-6" W X 12'-9" H IGLOO MAGAZINES - -		4,5	28,29
81'-2" L X 26'-6" W X 12'-1-3/4" H ARCH TYPE MAGAZINE - - - - -		4,5	28,29
80'-0" AND 40'-0" L X 25'-0" W X 12'-1-3/4" H ARCH TYPE MAGAZINES - -		6,7	30,31
80'-0" AND 40'-0" L X 25'-0" W X 11'-0" H ARCH TYPE MAGAZINES - - -		6,7	30,31
80'-0" AND 40'-0" L X 25'-0" W X 10'-0" H ARCH TYPE MAGAZINES - - -		6,7	30,31
80'-0" L X 25'-0" W X 14'-0" H STRADLEY MAGAZINE - - - - -		8,9	32,33
89'-0" L X 24'-10" W X 14'-4" H OVAL ARCH MAGAZINE - - - - -		8,9	32,33
89'-0" L X 24'-11" W X 13'-6" H STEEL ARCH MAGAZINE - - - - -		8,9	32,33
52'-0" DIA CORBETTA MAGAZINE - - - - -		10,11	34,35
100'-8" L X 50'-0" W RECTANGULAR MAGAZINE - - - - -		12,13	36,37
STORAGE PROCEDURES FOR THE MXU-651/B AND MXU-667/B:			
81'-0", 60'-8" AND 40'-4" L X 26'-6" W X 12'-9" H IGLOO MAGAZINES - -		14,15	38,39
81'-2" L X 26'-6" W X 12'-1-3/4" H ARCH TYPE MAGAZINE - - - - -		14,15	38,39
80'-0" AND 40'-0" L X 25'-0" W X 12'-1-3/4" H ARCH TYPE MAGAZINES - -		16,17	40,41
80'-0" AND 40'-0" L X 25'-0" W X 11'-0" H ARCH TYPE MAGAZINES - - -		16,17	40,41
80'-0" AND 40'-0" L X 25'-0" W X 10'-0" H ARCH TYPE MAGAZINES - - -		16,17	40,41
80'-0" L X 25'-0" W X 14'-0" H STRADLEY MAGAZINE - - - - -		18,19	42,43
89'-0" L X 24'-10" W X 14'-4" H OVAL ARCH MAGAZINE - - - - -		18,19	42,43
89'-0" L X 24'-11" W X 13'-6" H STEEL ARCH MAGAZINE - - - - -		18,19	42,43
52'-0" DIA CORBETTA MAGAZINE - - - - -		20,21	44,45
100'-8" L X 50'-0" W RECTANGULAR MAGAZINE - - - - -		22,23	46,47
TYPICAL MULTIPLE-LOT STORAGE PROCEDURES FOR MXU-650/B, MXU-651/B AND MXU-667/B - - - - -			
		24-26	48-50

U.S. ARMY MATERIEL COMMAND DRAWING			
APPROVED, U.S. ARMY INDUSTRIAL OPERATIONS COMMAND <i>David A. Podsiadlo</i> AMSTA-AR-ESK		DRAFTSMAN I. DEPPE, D. WHITMORE	
		ENGINEER M. DAEUMER	
APPROVED BY ORDER OF COMMANDING GENERAL, U.S. ARMY MATERIEL COMMAND <i>Arthur Podsiadlo</i>		SUPPLY ENGINEERING DIVISION <i>Thomas J. Michalski</i>	
		LOGISTICS ENGINEERING OFFICE <i>William F. Ernst</i>	
JANUARY 1981			
U.S. ARMY DEFENSE AMMUNITION CENTER AND SCHOOL		CLASS	DIVISION
REVISION NO. 2	JULY 1996	19	48
SEE REVISION LISTING ON PAGE 2		DRAWING	FILE
		7058	SP1-3-4-14 22PF1

DO NOT SCALE

GENERAL NOTES

(GENERAL NOTES CONTINUED)

- A. THIS DOCUMENT HAS BEEN PREPARED AND ISSUED IN ACCORDANCE WITH AR 740-1 AND AUGMENTS TM 743-200-1 (CHAPTER 5).
- B. THE STORAGE PROCEDURES SPECIFIED IN THIS DRAWING ARE APPLICABLE TO THE MXU-650/B AIRFOIL GROUPS PACKAGED IN 55-GALLON METAL DRUMS AND THE MXU-651/B OR MXU-667/B AIRFOIL GROUPS PACKAGED IN 80-GALLON METAL DRUMS UNPALLETIZED (BUNDLED) AND PALLETIZED, SUBSEQUENT REFERENCE TO CONTAINER MEANS DRUM WITH CONTENTS.
- C. FOR DETAILS OF UNPALLETIZED (BUNDLED) UNITS, SEE PAGE 3.
- CONTAINER DIMENSIONS:
MXU-650/B - - - - 25-1/2" DIA X 32-1/2" H.
GROSS WEIGHT - - - 154 LBS (APPROX)
MXU-651/B - - - - 33-1/8" DIA X 41-1/2" H.
GROSS WEIGHT - - - 288 LBS (APPROX)
MXU-667/B - - - - 33-1/8" DIA X 41-1/2" H.
GROSS WEIGHT - - - 196 LBS (APPROX)
- D. FOR DETAILS OF PALLETIZED UNITS, SEE PAGE 27.
- PALLET UNIT DIMENSIONS:
MXU-650/B - - - - 52-1/2" L X 27" W X 37-7/8" H.
GROSS WEIGHT - - - 390 LBS (APPROX)
MXU-651/B - - - - 67-3/4" L X 34-5/8" W X 46-7/8" H.
GROSS WEIGHT - - - 674 LBS (APPROX)
MXU-667/B - - - - 67-3/4" L X 34-5/8" W X 46-7/8" H.
GROSS WEIGHT - - - 490 LBS (APPROX)
- E. THE STORAGE PROCEDURES DEPICTED WITHIN THIS DOCUMENT ARE APPLICABLE FOR STORAGE IN VARIOUS TYPES AND SIZES OF MAGAZINES. THE STORAGE PROCEDURES DEPICTED FOR THE SPECIFIC TYPES OF MAGAZINES MAY ALSO BE UTILIZED TO STORE CONTAINERS IN OTHER TYPES OF APPROVED MAGAZINES. MINOR ADJUSTMENTS MAY BE MADE TO FACILITATE STORAGE IN OTHER TYPES OF MAGAZINES, HOWEVER, THE BASIC PRINCIPLES AS DEPICTED HEREIN WILL BE FOLLOWED.
- F. AISLE DIMENSIONS AS SHOWN HEREIN MAY BE ADJUSTED TO SUIT LOCAL CONDITIONS AND/OR AVAILABLE MATERIAL HANDLING EQUIPMENT (MHE), HOWEVER, AN 18" MINIMUM INSPECTION AISLE MUST BE MAINTAINED AT THE SIDE OF THE CONTAINER WHERE THE HUMIDITY INDICATOR IS LOCATED.
- G. IF AVAILABLE MHE PERMITS, ADDITIONAL CONTAINERS MAY BE STORED WITHIN THE FRONTAL AREA AND/OR OTHER AVAILABLE AREA OF THE MAGAZINE.
- H. STORED UNITS MUST NOT CONTACT THE WALLS OF A MAGAZINE. TO PROVIDE FOR THIS MANDATORY CLEARANCE REQUIREMENT, UNITS MAY BE ELIMINATED FROM THE DEPICTED STORAGE PATTERN AS NECESSARY.
- J. OTHER COMPATIBLE ITEMS BE STORED IN A MAGAZINE WHICH IS PARTIALLY FILLED WITH THE DESIGNATED ITEM.
- K. STORAGE OF MULTIPLE LOTS OF UNITS WILL REQUIRE CAREFUL PREPLANNING SO AS TO INSURE MHE ACCESSIBILITY TO ANY LOT IN ACCORDANCE WITH REQUIREMENTS SET FORTH IN THE "SPECIAL NOTES" SECTIONS OF THE TYPICAL MULTIPLE-LOT STORAGE PROCEDURES AS SHOWN ON PAGES 24 THRU 26 AND 48 THRU 50.
- L. ALTHOUGH SPECIFIC PROCEDURES ARE INCLUDED IN THIS DRAWING FOR STORING MULTIPLE LOTS WITHIN ONE STRUCTURE, THE BASIC STORAGE PATTERNS AS SHOWN ON PAGES 4 THRU 23 AND 28 THRU 47 CAN ALSO BE ADAPTED FOR THE STORING OF MORE THAN ONE LOT. MULTIPLE LOTS OF UNITS WHEN STORED IN ACCORDANCE WITH THE BASIC STORAGE PATTERN MAY BE STORED WITH ONE OR MORE STACKS USED FOR EACH LOT. LOTS WILL NOT BE MIXED, BUT ONLY TO THE EXTENT THAT UNITS OF ONE LOT WILL NOT BE STACKED ON TOP OF UNITS FROM ANOTHER LOT. MULTIPLE LOTS OF UNITS MAY BE STORED WITH ONE OR MORE ROWS USED FOR EACH LOT. A ROW OF UNITS RUNS FROM THE REAR OF THE MAGAZINE TO THE FRONT. EACH LOT WITHIN THE MAGAZINE MUST BE ACCESSIBLE FOR MOVEMENT BY MHE. A SINGLE-LOT IS CONSIDERED "ACCESSIBLE" IF NO MORE THAN TWELVE (12) "LIFTS" (A LIFT MAY CONSIST OF ONE (1) OR MORE UNITS) OF ANOTHER LOT OR LOTS HAVE TO BE MADE TO GAIN ACCESS TO THAT LOT.
- M. GENERALLY, WHEN STORING MULTIPLE LOTS, THE LARGEST LOT SHOULD BE STORED IN THE REAR OF THE MAGAZINE. EACH LOT MUST BE ACCESSIBLE FOR REMOVAL AND INSPECTION/INVENTORY IN ACCORDANCE WITH OTHER CRITERIA SPECIFIED IN THESE GENERAL NOTES AND IN THE SPECIAL NOTES THROUGHOUT THE DRAWING.
- N. PORTIONS OF THE MAGAZINES, SUCH AS SIDEWALLS, END WALLS, AND ROOFS, HAVE NOT BEEN SHOWN IN THE STORAGE VIEWS FOR CLARITY PURPOSES.
- O. IF THE QUANTITY OF CONTAINERS FOR A MAGAZINE IS TO BE REDUCED FROM WHAT IS SHOWN HEREIN, DUE TO A LIMITED QUANTITY TO BE STORED OR FOR ANY OTHER REASON, THE DELINEATED PROCEDURES ARE TO BE ADJUSTED BY OMITTING STACKS RATHER THAN BY OMITTING LAYERS.
- P. CAUTION: THE "BUNDLED UNITS" SHOWN ON PAGE 3 ARE FOR STORAGE ONLY AND ARE NOT SUITABLE FOR SHIPPING.
- Q. NOTE: WHEN STORING THE MXU-650/B AIRFOIL GROUPS, STORAGE MAGAZINES MUST HAVE A MINIMUM DOORWAY WIDTH OF 52" IF THE FOUR (4) DRUM BUNDLED UNIT, SHOWN ON PAGE 3, IS TO BE MOVED INTO AND OUT OF THE MAGAZINE. IF THE STORAGE MAGAZINE HAS DOORWAYS WHICH ARE LESS THAN 52" WIDE THE THREE (3) DRUM ALTERNATIVE BUNDLED UNIT, SHOWN ON PAGE 3, MAY BE USED.
- R. FOR ADDITIONAL GUIDANCE, ATTENTION IS DIRECTED TO THE "SPECIAL NOTES" SECTIONS WHICH ARE IMMEDIATELY ADJACENT TO THE DEPICTED STORAGE METHODS.
- S. UNPALLETIZED (BUNDLED) UNITS PRESENTLY STORED IN ACCORDANCE WITH A PRIOR APPROVED DRAWING NEED NOT BE RE-STORED SOLELY TO CONFORM TO THE PROCEDURES SPECIFIED IN THIS REVISED DOCUMENT.

(CONTINUED AT RIGHT)

MATERIAL SPECIFICATIONS

- STRAPPING, STEEL - - : ASTM D3953; FLAT STRAPPING TYPE 1, HEAVY DUTY, FINISH B (GRADE 2), SIZE 3/4" X .035" OR .031".
- SEAL, STRAP - - - - : ASTM D3953; CLASS H, FINISH B (GRADE 2), DOUBLE NOTCH TYPE, STYLE I, II, OR IV.
- ANTI-CHAFING MATERIAL - - - - : MIL-B-121 (OR EQUAL); NEUTRAL BARRIER MATERIAL.
- PALLET - - - - - : MIL SPEC MIL-P-15011; 4-WAY ENTRY, STYLE 1, 40" X 48" TYPE I, CLASS 1, PRESERVATIVE TREATED. SEE NOTE BELOW.
- PALLET - - - - - : MIL SPEC MIL-P-15011; 4-WAY ENTRY, STYLE 1A, 35" X 45-1/2" TYPE I, CLASS 1, PRESERVATIVE TREATED. SEE NOTE BELOW.

NOTE:

OTHER GRADES AND STYLES OF PALLETS MAY BE USED FOR BUNDLED UNITS IN LIEU OF THE TWO LISTED UNDER THE MATERIAL SPECIFICATIONS. THE PALLET SIZE MUST BE EQUAL TO OR GREATER THAN THE PALLETS SHOWN WITHIN THIS DRAWING. IF LARGER PALLETS ARE USED, QUANTITIES OF ITEMS WITHIN A MAGAZINE MAY BE LESS THAN SHOWN.

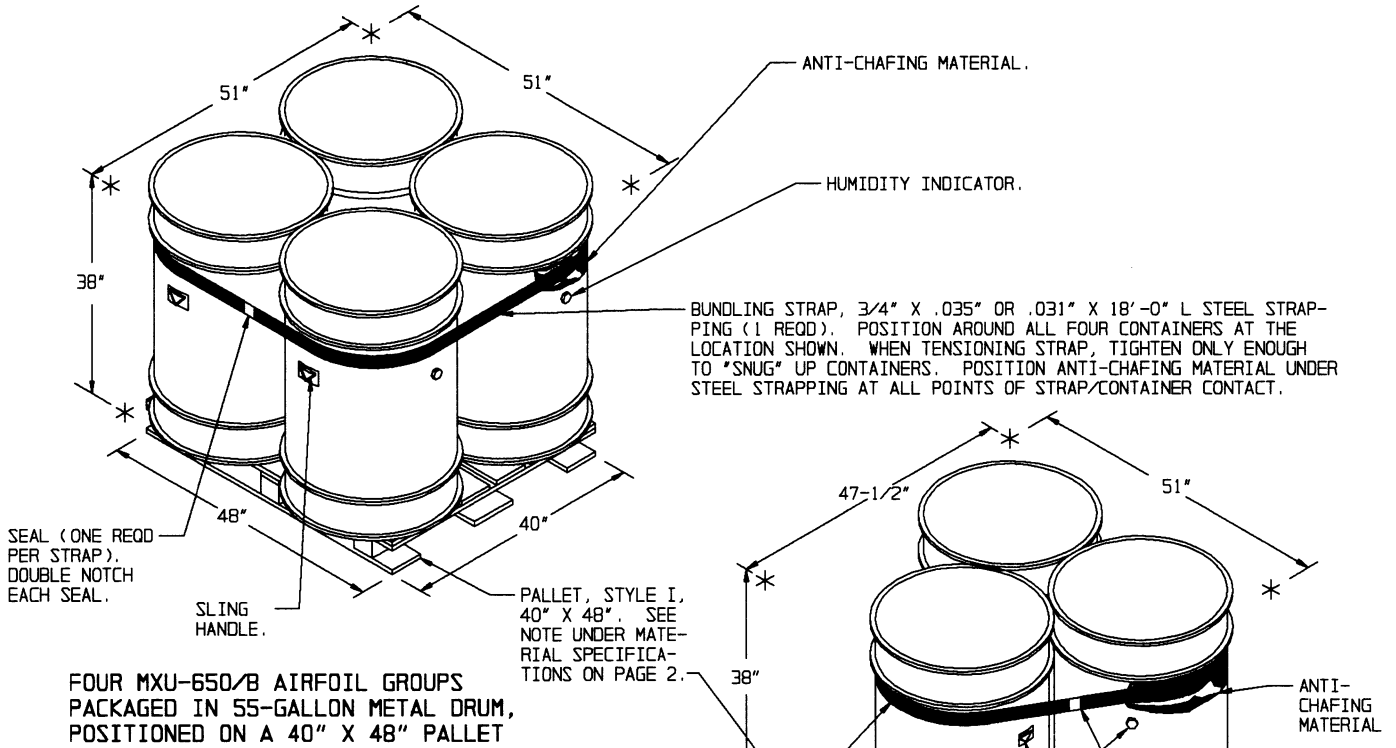
REVISIONS

REVISION NO. 1, DATED MARCH 1981, CONSISTS OF:

1. ADDING AN "ALTERNATIVE BUNDLED UNIT" FOR MXU-650/B ON PAGE 3 AND AN "ALTERNATIVE STORAGE METHOD" ON PAGE 5.

REVISION NO. 2, DATED JULY 1996, CONSIST OF:

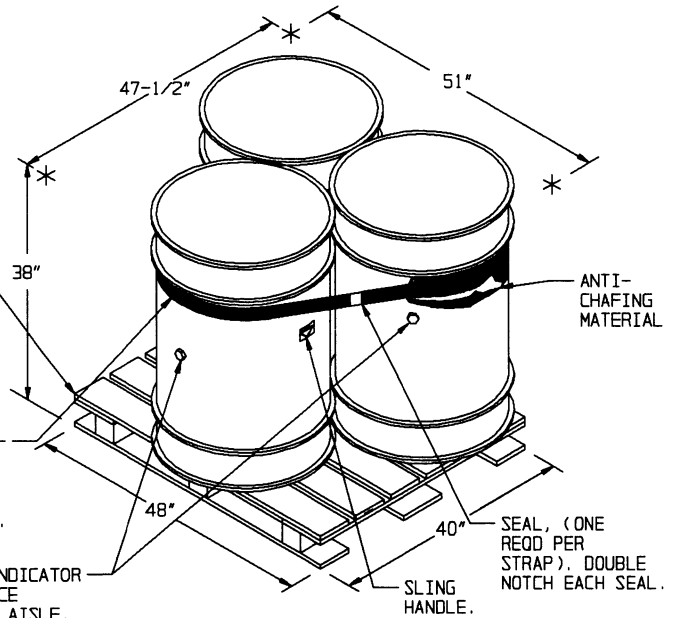
1. UPDATING DRAWING FORMAT, GENERAL NOTES, MATERIAL SPECIFICATIONS AND COVER PAGE.
2. ADDING MXU-667/B AIRFOIL GROUPS IN METAL DRUMS.
3. ADDING PROCEDURES FOR PALLETIZED UNITS OF MXU-650/B, MXU-651/B, AND MXU-667/B AIRFOIL GROUPS.
4. CONVERTING DRAWING TO CAD.



**FOUR MXU-650/B AIRFOIL GROUPS
PACKAGED IN 55-GALLON METAL DRUM,
POSITIONED ON A 40" X 48" PALLET**

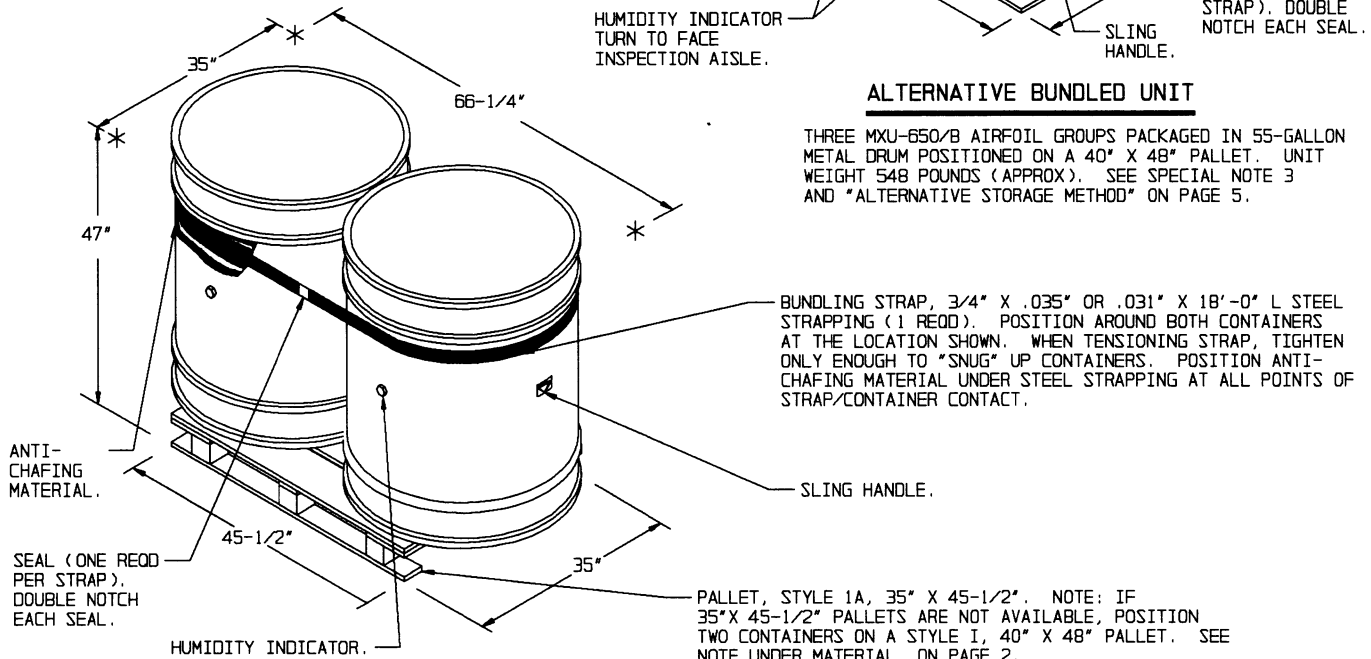
UNIT WEIGHT 702 POUNDS (APPROX)

BUNDLING STRAP, 3/4" X .035" OR .031" X 15'-0" L STEEL STRAPPING (1 REOD). POSITION AROUND ALL THREE CONTAINERS AT THE LOCATION SHOWN. WHEN TENSIONING STRAP, TIGHTEN ONLY ENOUGH TO "SNUG" UP CONTAINERS. POSITION ANTI-CHAFING MATERIAL UNDER STEEL STRAPPING AT ALL POINTS OF STRAP/CONTAINER CONTACT.



ALTERNATIVE BUNDLED UNIT

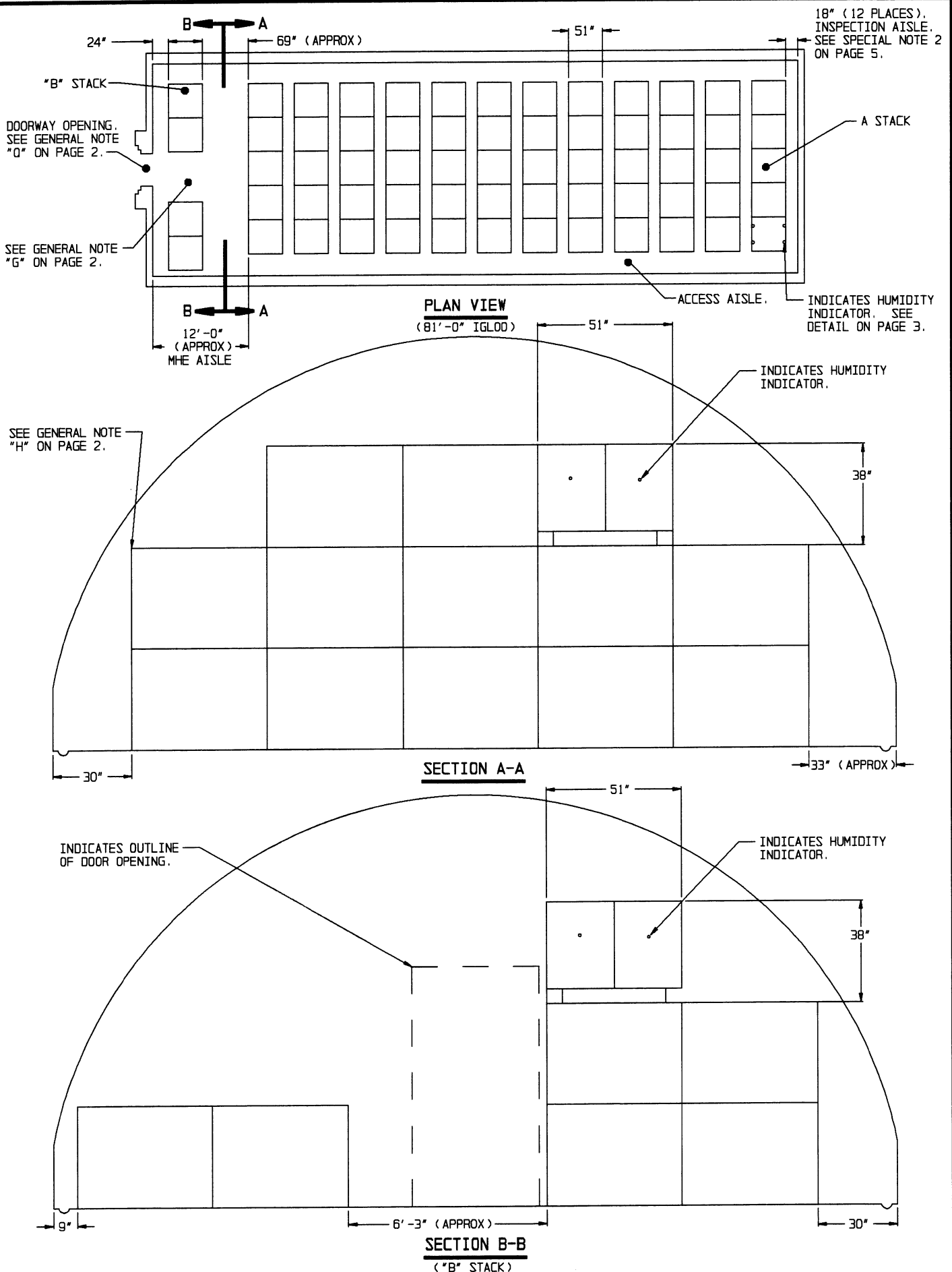
THREE MXU-650/B AIRFOIL GROUPS PACKAGED IN 55-GALLON METAL DRUM POSITIONED ON A 40" X 48" PALLET. UNIT WEIGHT 548 POUNDS (APPROX). SEE SPECIAL NOTE 3 AND "ALTERNATIVE STORAGE METHOD" ON PAGE 5.



**TWO MXU-651/B OR MXU-667/B AIRFOIL GROUPS
PACKAGED IN 80-GALLON METAL DRUM,
POSITIONED ON A 35" X 45-1/2" PALLET**

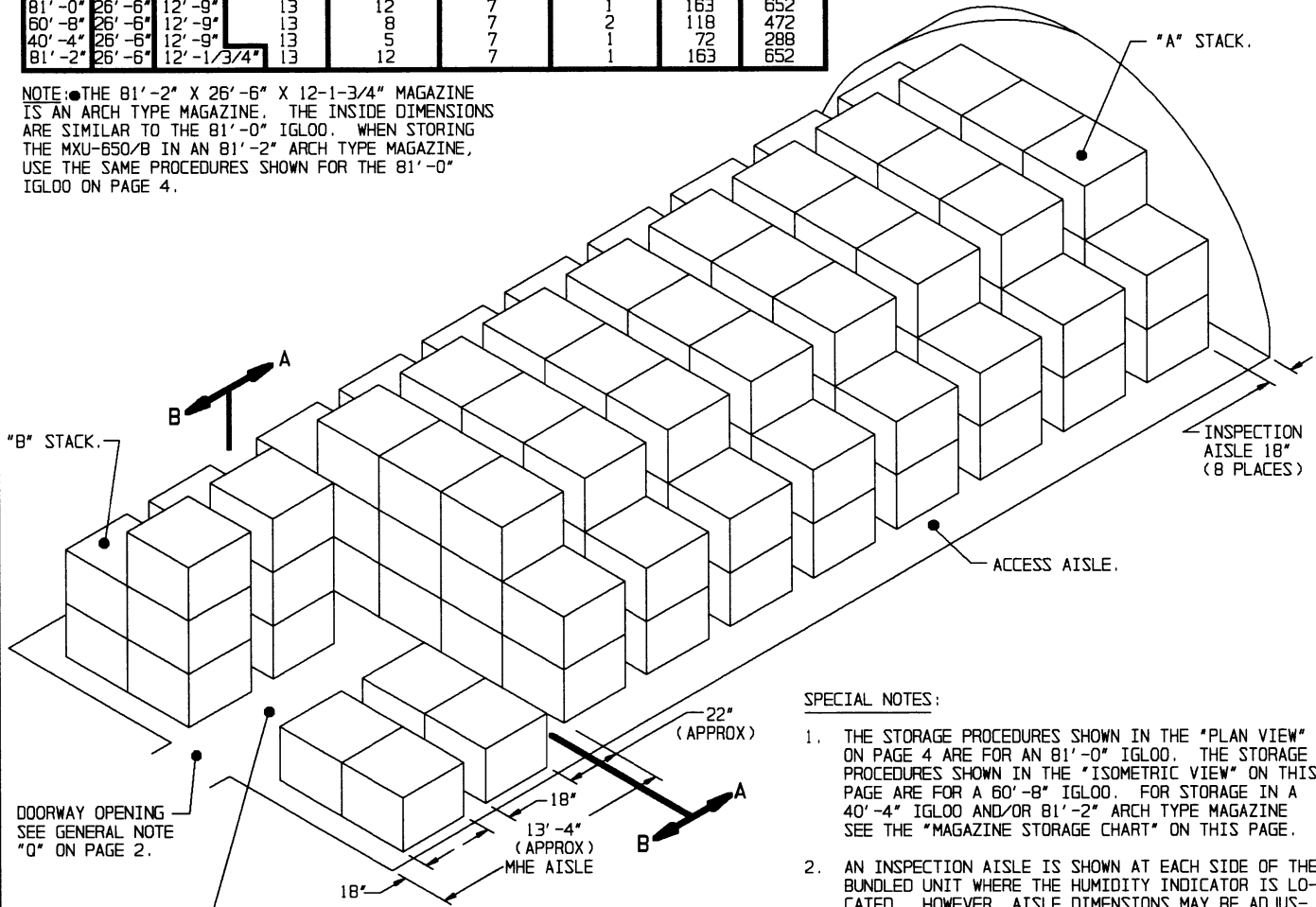
MXU-651/B UNIT WEIGHT 652 POUNDS (APPROX)
MXU-667/B UNIT WEIGHT 468 POUNDS (APPROX)

BUNDLED UNIT DETAILS



MAGAZINE STORAGE FOR MXU-650/B BUNDLED UNIT								
MAG LENGTH	MAG WIDTH	MAG HEIGHT	UNITS PER "A" STACK	"A" STACKS PER MAG	UNITS PER "B" STACK	"B" STACKS PER MAG	UNITS PER MAG	CNTRS PER MAG
81'-0"	26'-6"	12'-9"	13	12	7	1	163	652
60'-8"	26'-6"	12'-9"	13	8	7	2	118	472
40'-4"	26'-6"	12'-9"	13	5	7	1	72	288
81'-2"	26'-6"	12'-1-3/4"	13	12	7	1	163	652

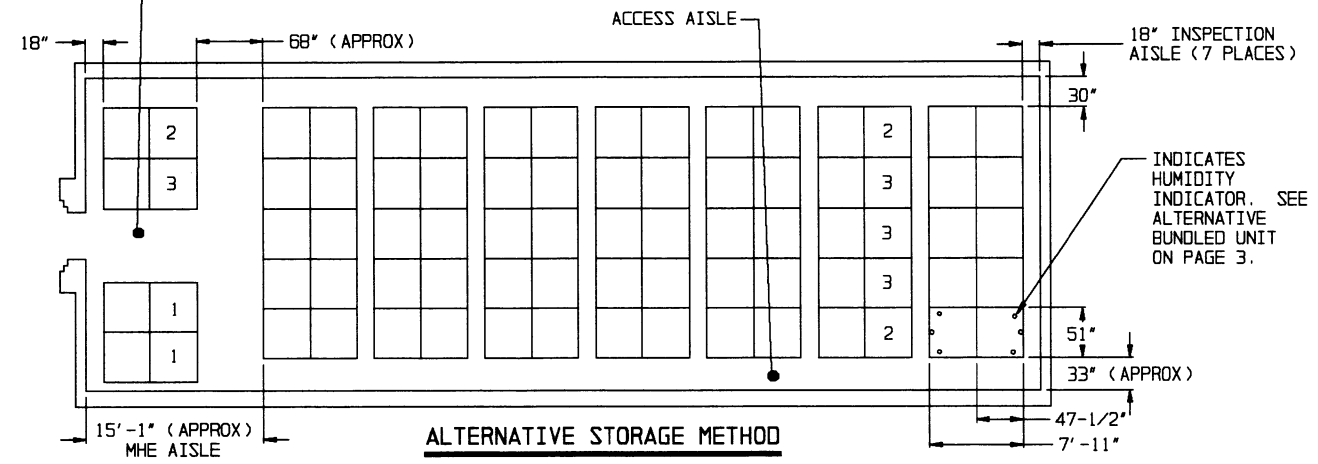
NOTE: THE 81'-2" X 26'-6" X 12'-1-3/4" MAGAZINE IS AN ARCH TYPE MAGAZINE. THE INSIDE DIMENSIONS ARE SIMILAR TO THE 81'-0" IGLOO. WHEN STORING THE MXU-650/B IN AN 81'-2" ARCH TYPE MAGAZINE, USE THE SAME PROCEDURES SHOWN FOR THE 81'-0" IGLOO ON PAGE 4.



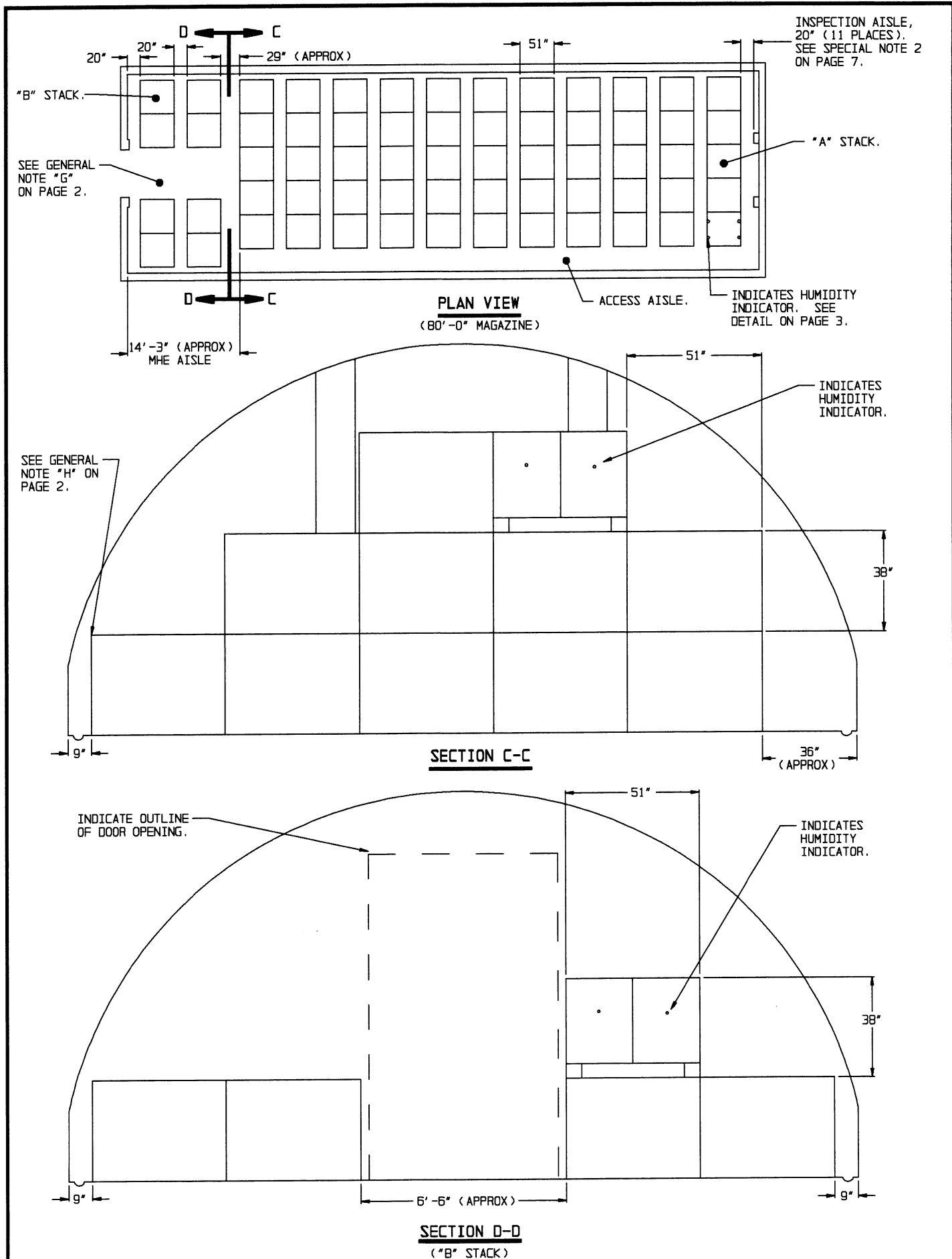
ISOMETRIC VIEW
(60'-8" IGLOO)

SPECIAL NOTES:

1. THE STORAGE PROCEDURES SHOWN IN THE "PLAN VIEW" ON PAGE 4 ARE FOR AN 81'-0" IGLOO. THE STORAGE PROCEDURES SHOWN IN THE "ISOMETRIC VIEW" ON THIS PAGE ARE FOR A 60'-8" IGLOO. FOR STORAGE IN A 40'-4" IGLOO AND/OR 81'-2" ARCH TYPE MAGAZINE SEE THE "MAGAZINE STORAGE CHART" ON THIS PAGE.
2. AN INSPECTION AISLE IS SHOWN AT EACH SIDE OF THE BUNDLED UNIT WHERE THE HUMIDITY INDICATOR IS LOCATED. HOWEVER, AISLE DIMENSIONS MAY BE ADJUSTED. SEE GENERAL NOTE "F" ON PAGE 2 AND DETAIL OF THE FOUR MXU-650/B BUNDLED UNIT ON PAGE 3.
3. THE "ALTERNATIVE STORAGE METHOD" DEPICTING THREE MXU-650/B AIRFOIL GROUPS PACKAGED IN 55-GALLON DRUM, THREE DRUMS TO A PALLET, MAY BE USED FOR STORAGE IN MAGAZINES HAVING 48" WIDE DOOR OPENINGS. SEE THE "ALTERNATIVE BUNDLED UNIT" ON PAGE 3 AND THE "ALTERNATIVE STORAGE METHOD" BELOW FOR GUIDANCE. IF DESIRED, THE "ALTERNATIVE BUNDLED UNIT" MAY BE USED IN ANY STORAGE MAGAZINE WITHIN THIS DRAWING.

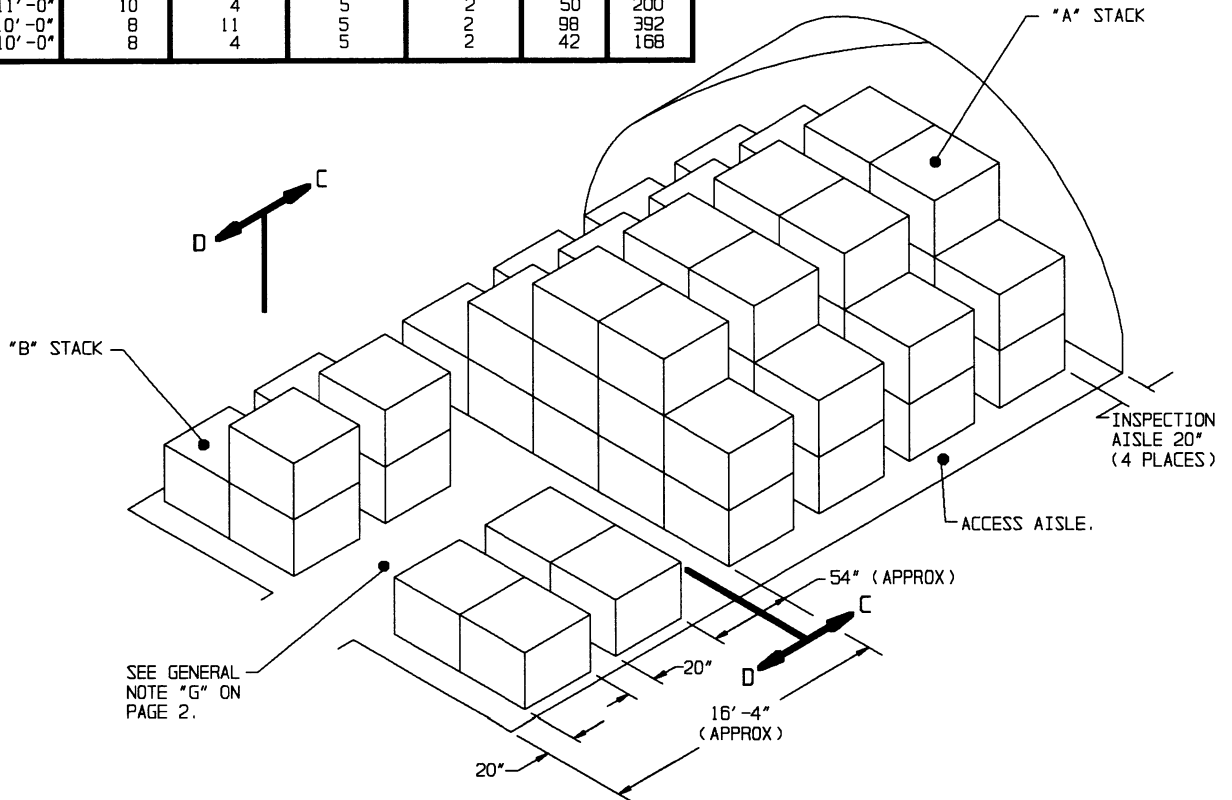


THIS ALTERNATIVE PLAN VIEW DEPICTS STORAGE IN 81'-0" IGLOO OF THE ALTERNATIVE BUNDLED UNIT, 13 UNITS PER STACK, 14 STACKS PER IGLOO. PLUS 2 STACKS OF 7 UNITS AT FRONT, FOR A TOTAL OF 196 BUNDLED UNITS, 588 CONTAINERS PER IGLOO. SEE GENERAL NOTE "O" ON PAGE 2.



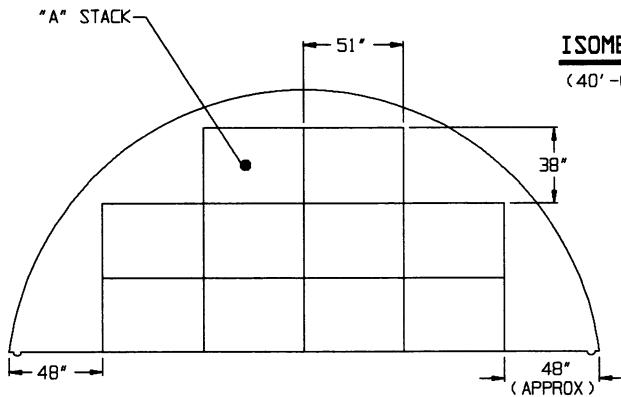
MAGAZINE STORAGE FOR MXU-650/B BUNDLED UNITS

MAG LENGTH	MAG WIDTH	MAG HEIGHT	UNITS PER "A" STACK	"A" STACKS PER MAG	UNITS PER "B" STACK	"B" STACKS PER MAG	UNITS PER MAG	CNTRS PER MAG
80'-0"	25'-0"	12'-1-3/4"	11	11	5	2	131	524
40'-0"	25'-0"	12'-1-3/4"	11	4	5	2	54	216
80'-0"	25'-0"	11'-0"	10	11	5	2	120	480
40'-0"	25'-0"	11'-0"	10	4	5	2	50	200
80'-0"	25'-0"	10'-0"	8	11	5	2	98	392
40'-0"	25'-0"	10'-0"	8	4	5	2	42	168



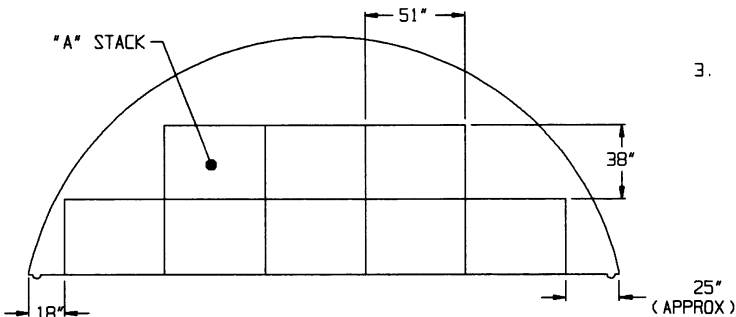
SEE GENERAL NOTE "G" ON PAGE 2.

ISOMETRIC VIEW
(40'-0" MAGAZINE)



SECTION VIEW OF AN 11'-0" H MAGAZINE

SEE SPECIAL NOTE 1 ON THIS PAGE.

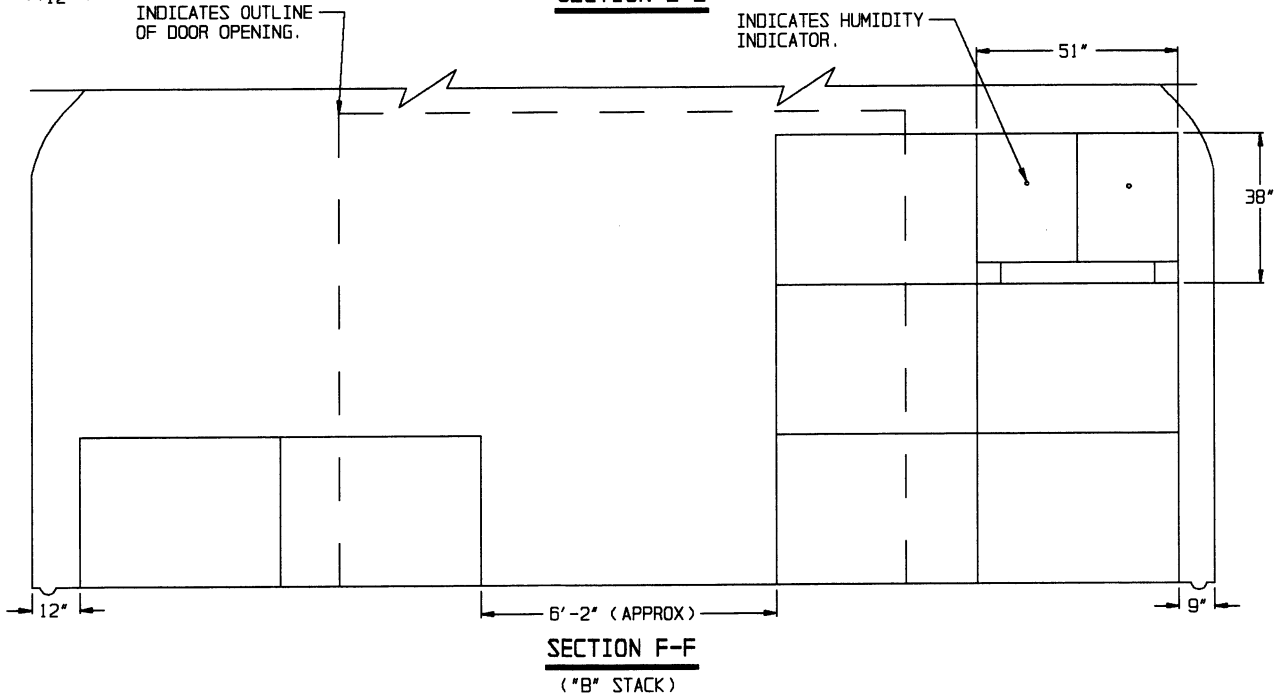
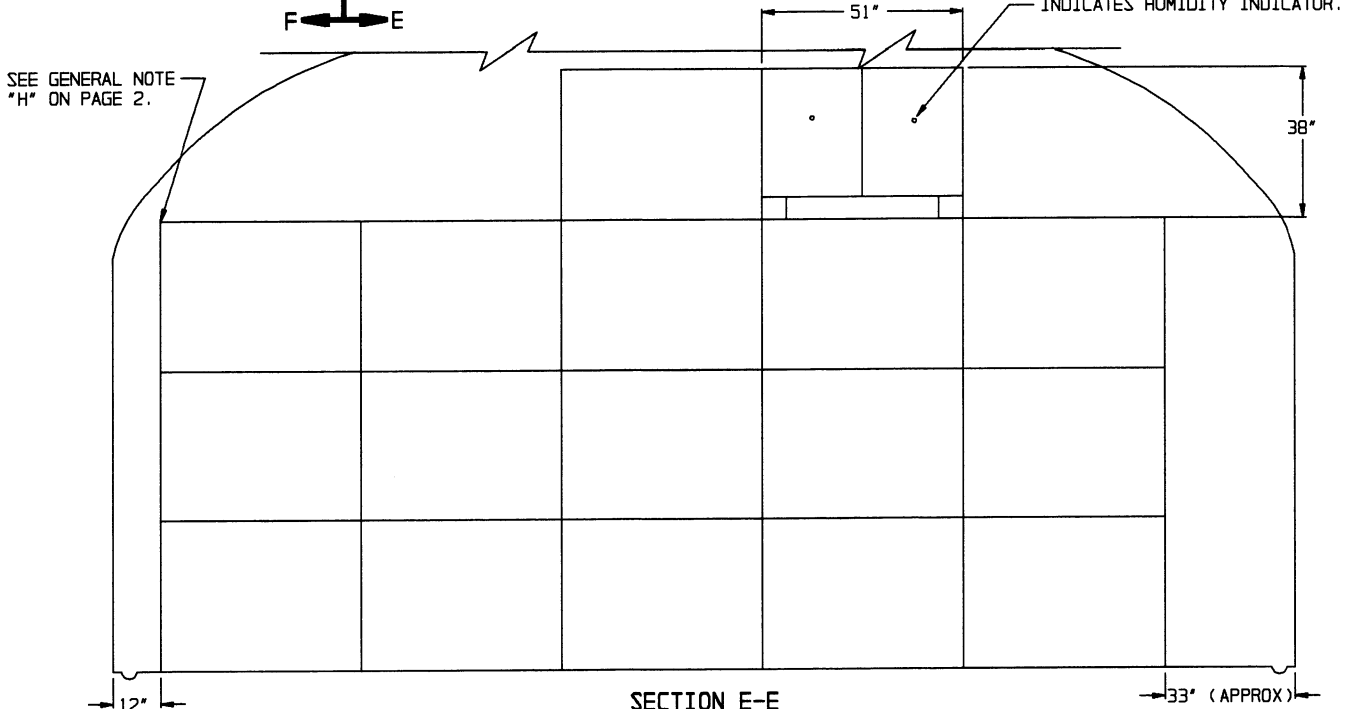
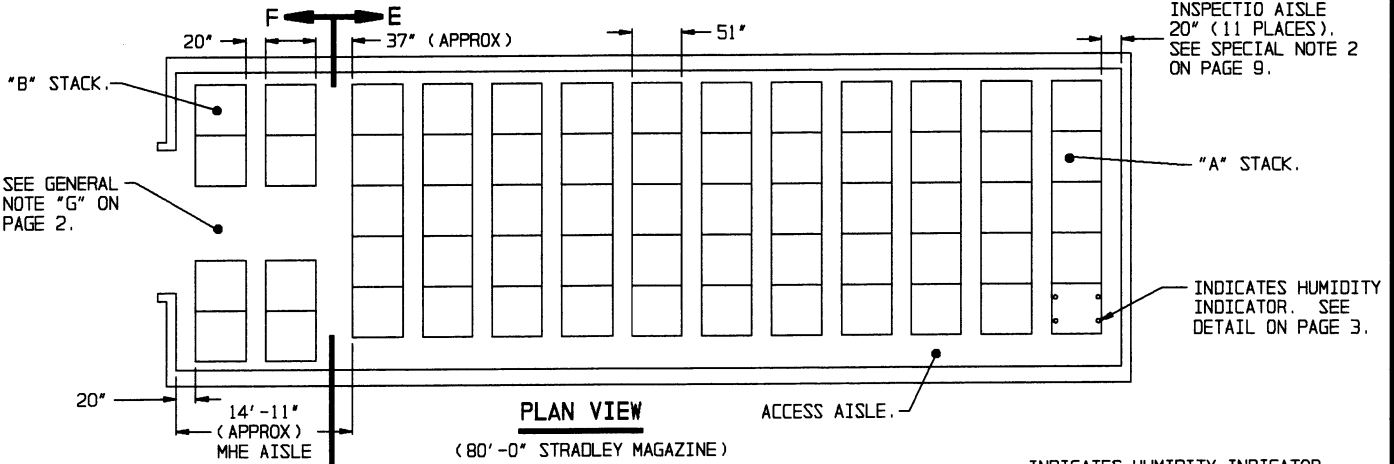


SECTION VIEW OF A 10'-0" H MAGAZINE

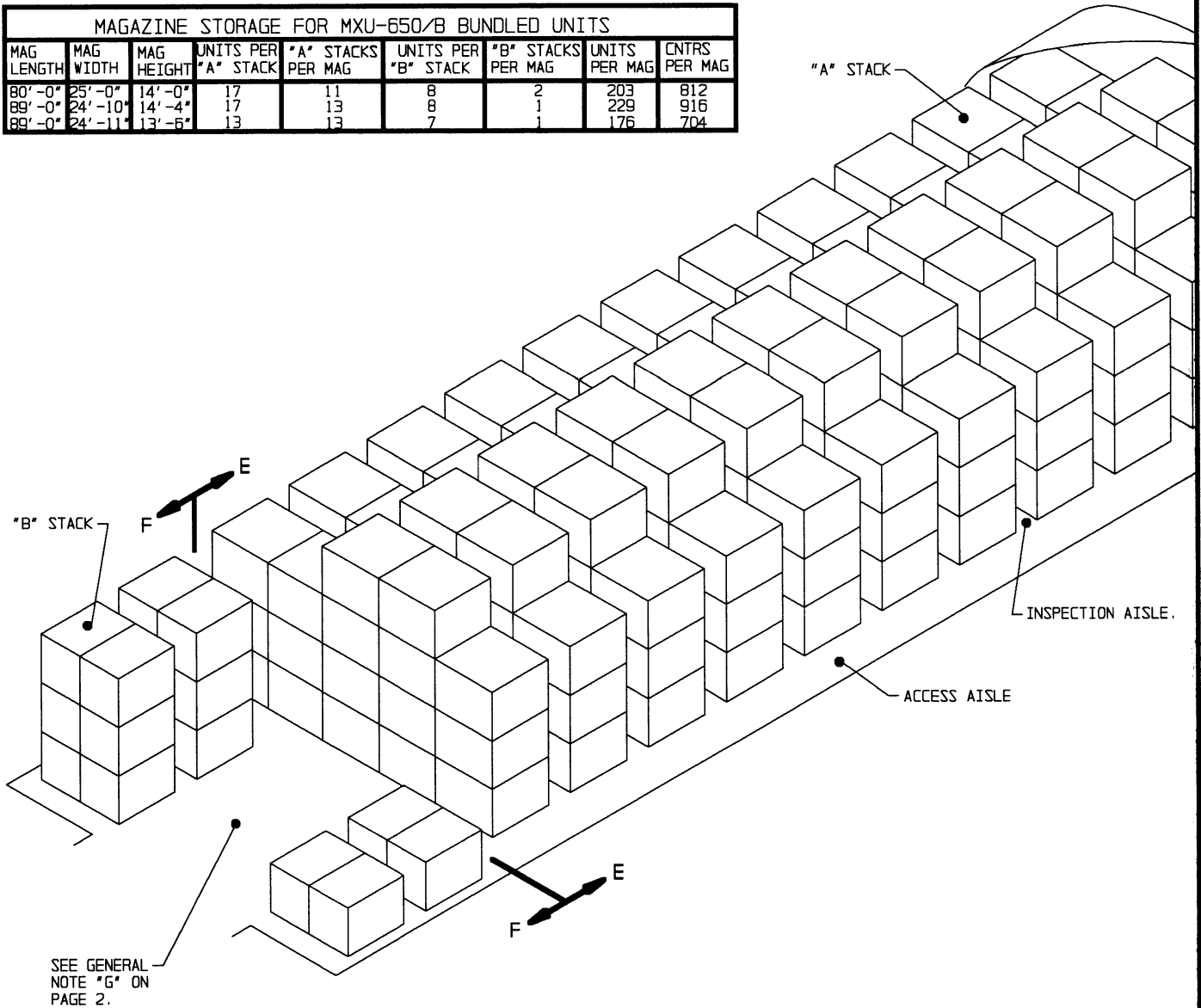
SEE SPECIAL NOTE 1 ON THIS PAGE.

SPECIAL NOTES:

1. THE STORAGE PROCEDURES SHOWN IN THE "PLAN VIEW" ON PAGE 6 ARE FOR AN 80'-0" X 25'-0" X 12'-1-3/4" HIGH ARCH TYPE MAGAZINE. THE STORAGE PROCEDURES SHOWN IN THE "ISOMETRIC VIEW" ON THIS PAGE ARE FOR A 40'-0" X 25'-0" X 12'-1-3/4" HIGH ARCH TYPE MAGAZINE. FOR STORAGE IN AN 80'-0" X 25'-0" X 11'-0" HIGH AND/OR A 40'-0" X 25'-0" X 11'-0" H ARCH TYPE MAGAZINE, SEE THE "MAGAZINE STORAGE CHART" AND THE "SECTION VIEW OF AN 11'-0" HIGH MAGAZINE" ON THIS PAGE. FOR STORAGE IN AN 80'-0" X 25'-0" X 10'-0" HIGH AND/OR 40'-0" X 25'-0" X 10'-0" HIGH ARCH TYPE SEE THE "MAGAZINE STORAGE CHART" AND THE "SECTION VIEW OF A 10'-0" HIGH MAGAZINE" ON THIS PAGE.
2. AN INSPECTION AISLE IS SHOWN AT EACH SIDE OF THE BUNDLED UNIT WHERE THE HUMIDITY INDICATOR IS LOCATED. HOWEVER, AISLE DIMENSIONS MAY BE ADJUSTED. SEE GENERAL NOTE "F" ON PAGE 2 AND DETAIL OF THE FOUR MXU-650/B BUNDLED UNIT ON PAGE 3.
3. FOR STORAGE IN AN 81'-2" X 26'-6" X 12'-1-3/4" HIGH ARCH TYPE MAGAZINE, SEE THE PROCEDURES SHOWN ON PAGE 4 AND "NOTE" ON PAGE 5.



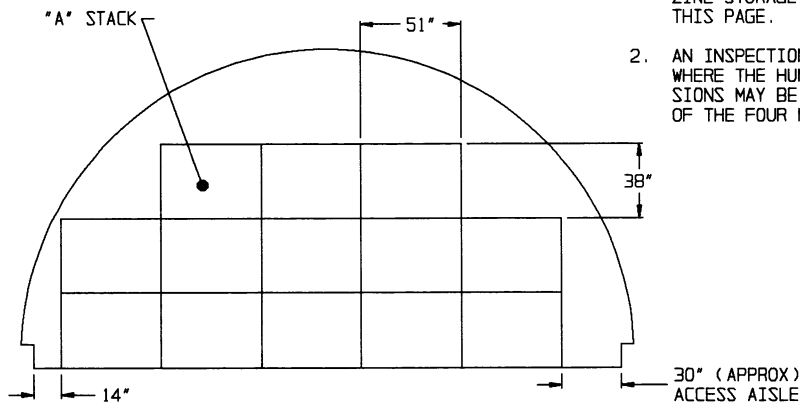
MAGAZINE STORAGE FOR MXU-650/B BUNDLED UNITS									
MAG LENGTH	MAG WIDTH	MAG HEIGHT	UNITS PER "A" STACK	"A" STACKS PER MAG	UNITS PER "B" STACK	"B" STACKS PER MAG	UNITS PER MAG	CNTRS PER MAG	
80'-0"	25'-0"	14'-0"	17	11	8	2	203	812	
88'-0"	24'-10"	14'-4"	17	13	8	1	229	916	
88'-0"	24'-11"	13'-6"	13	13	7	1	176	704	



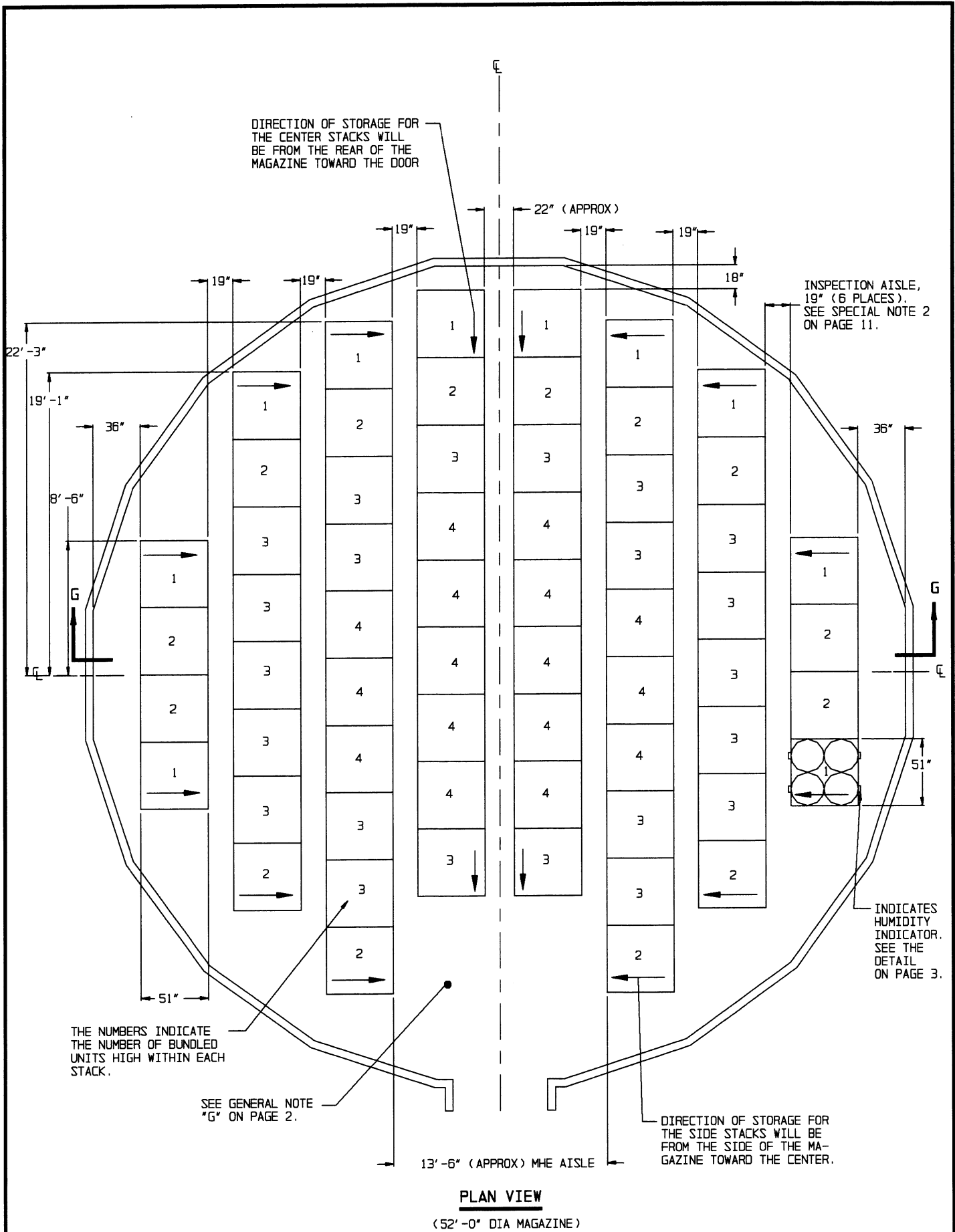
ISOMETRIC VIEW
(STRADLEY MAGAZINE)

SPECIAL NOTES:

1. THE STORAGE PROCEDURES SHOWN IN THE "PLAN VIEW" ON PAGE 8 AND THE "ISOMETRIC VIEW" ON THIS PAGE ARE FOR THE STRADLEY MAGAZINE. FOR STORAGE IN OVAL ARCH AND STEEL ARCH MAGAZINES, SEE THE "MAGAZINE STORAGE CHART" AND SECTION VIEW FOR STEEL ARCH MAGAZINE ON THIS PAGE.
2. AN INSPECTION AISLE IS SHOWN AT EACH SIDE OF THE BUNDLED UNIT WHERE THE HUMIDITY INDICATOR IS LOCATED. HOWEVER, AISLE DIMENSIONS MAY BE ADJUSTED. SEE GENERAL NOTE "F" ON PAGE 2 AND DETAIL OF THE FOUR MXU-650/B BUNDLED UNIT ON PAGE 3.

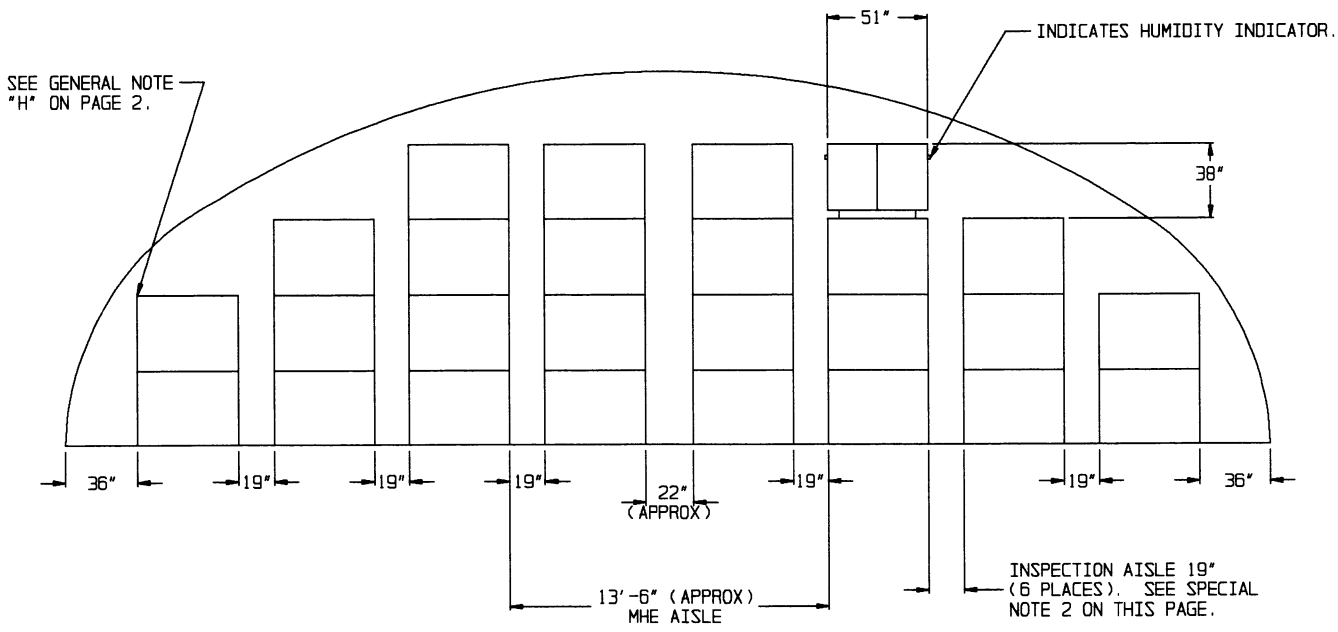


SECTION VIEW OF A 13'-6" HIGH STEEL ARCH MAGAZINE



MAGAZINE STORAGE FOR MXU-650/B BUNDLED UNIT
 IN A 52'-0" DIA CORBETTA MAGAZINE

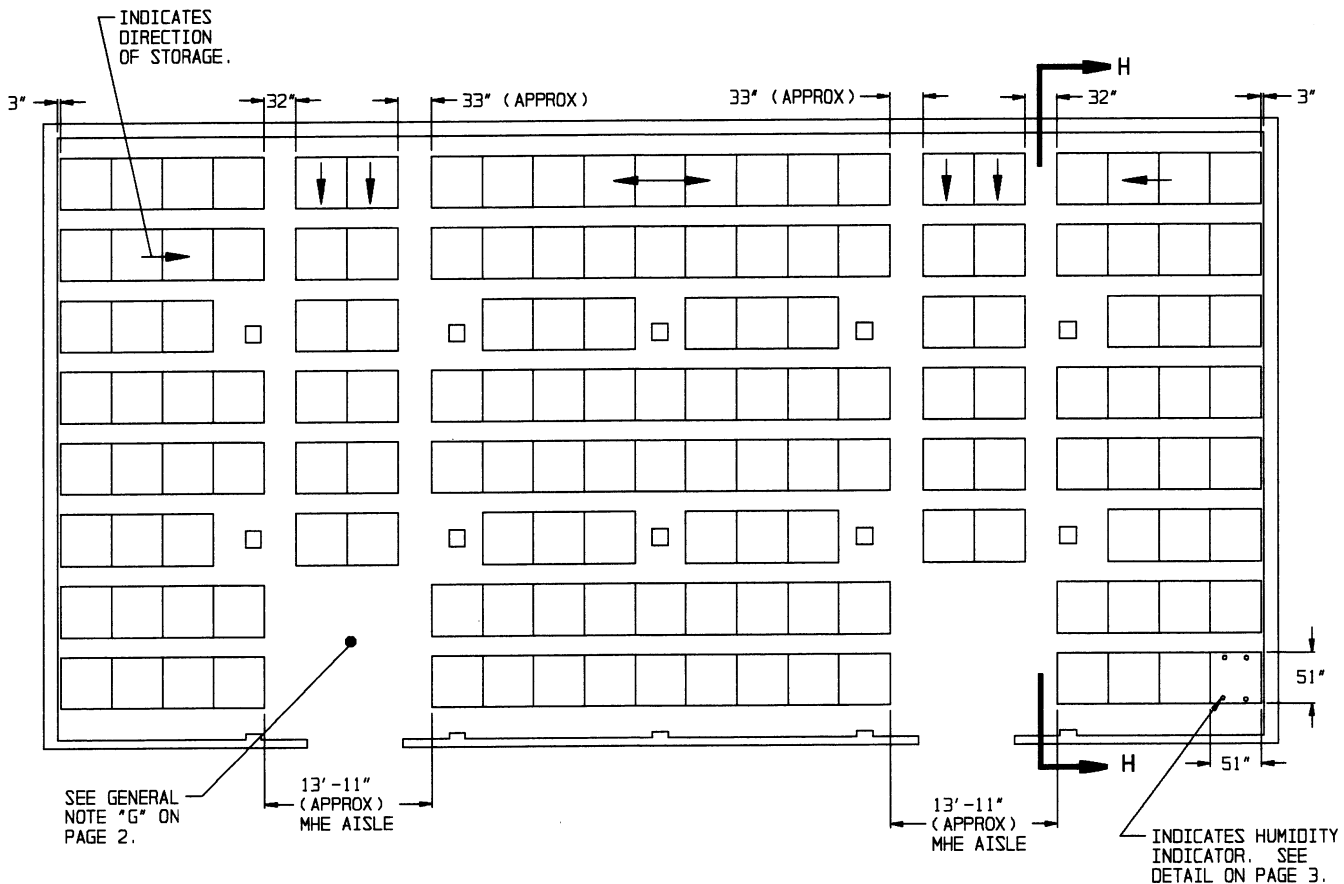
ITEM	QUANTITY
BUNDLED UNITS - - - - -	168
CONTAINERS - - - - -	672



SECTION G-G

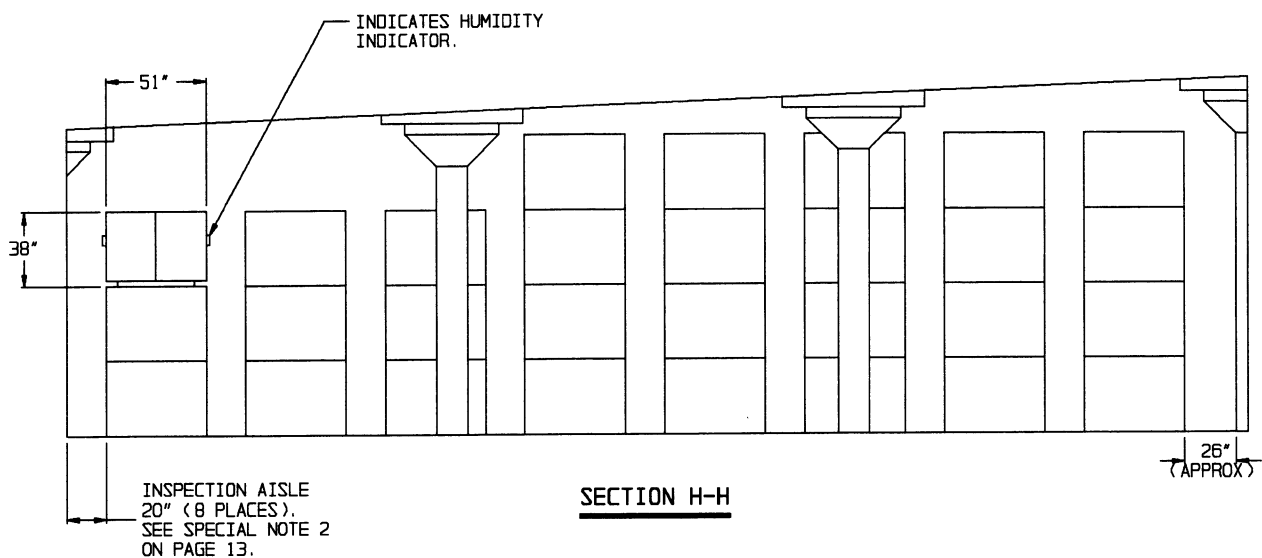
SPECIAL NOTES:

1. THE STORAGE PROCEDURES SHOWN IN THE "PLAN VIEW" ON PAGE 10 AND THE "SECTION G-G" ON THIS PAGE ARE FOR A 52'-0" DIAMETER CORBETTA MAGAZINE.
2. AN INSPECTION AISLE IS SHOWN AT EACH SIDE OF THE BUNDLED UNIT WHERE THE HUMIDITY INDICATOR IS LOCATED. HOWEVER, AISLE DIMENSIONS MAY BE ADJUSTED. SEE GENERAL NOTE "F" ON PAGE 2 AND DETAIL OF THE FOUR MXU-650/B BUNDLED UNIT ON PAGE 3.



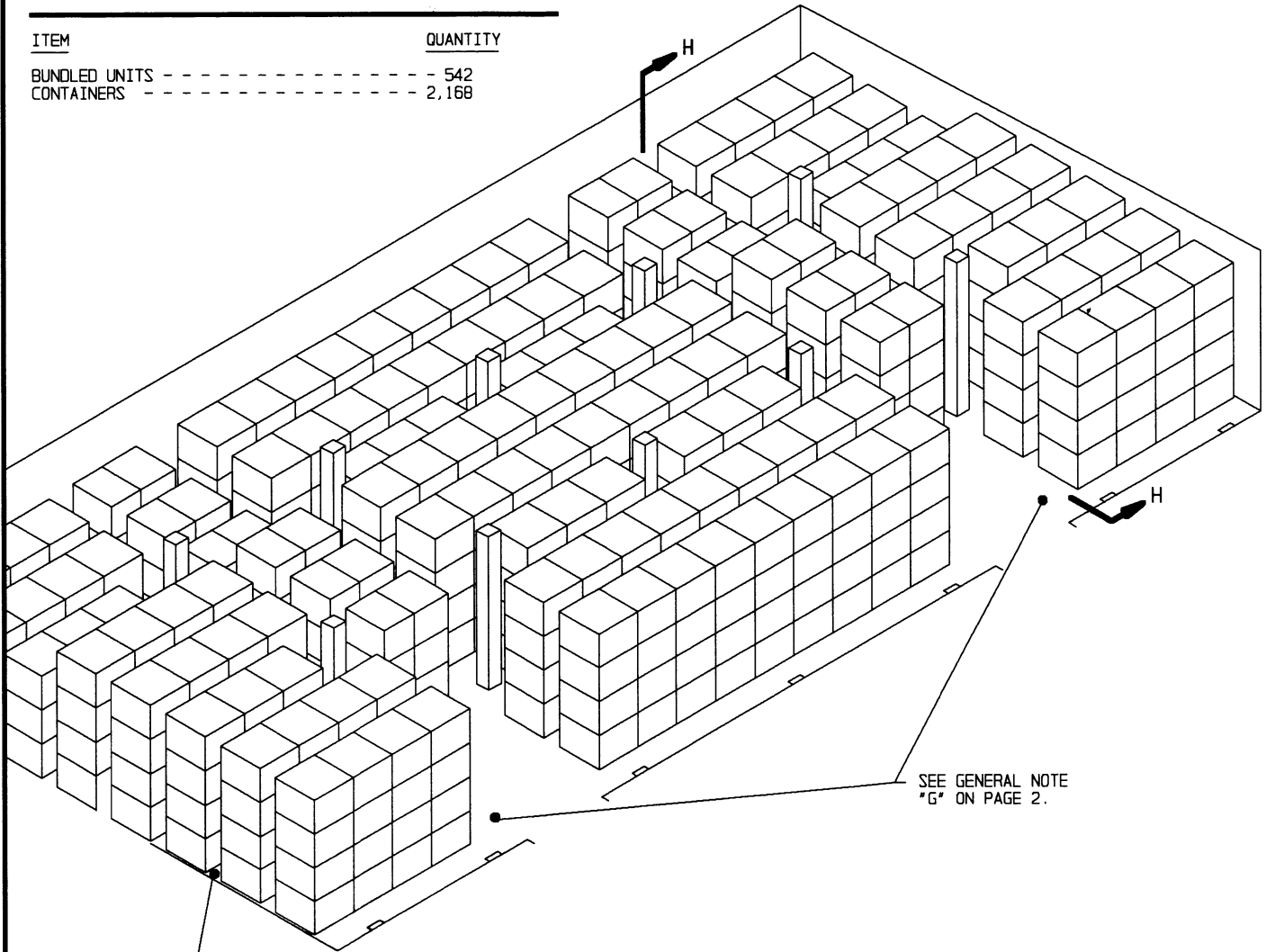
PLAN VIEW

(100'-8" X 50'-0" MAGAZINE)



MAGAZINE STORAGE FOR MXU-650/B BUNDLED UNIT
 IN A 100'-8" X 50'-0" RECTANGULAR MAGAZINE

ITEM	QUANTITY
BUNDLED UNITS - - - - -	542
CONTAINERS - - - - -	2,168



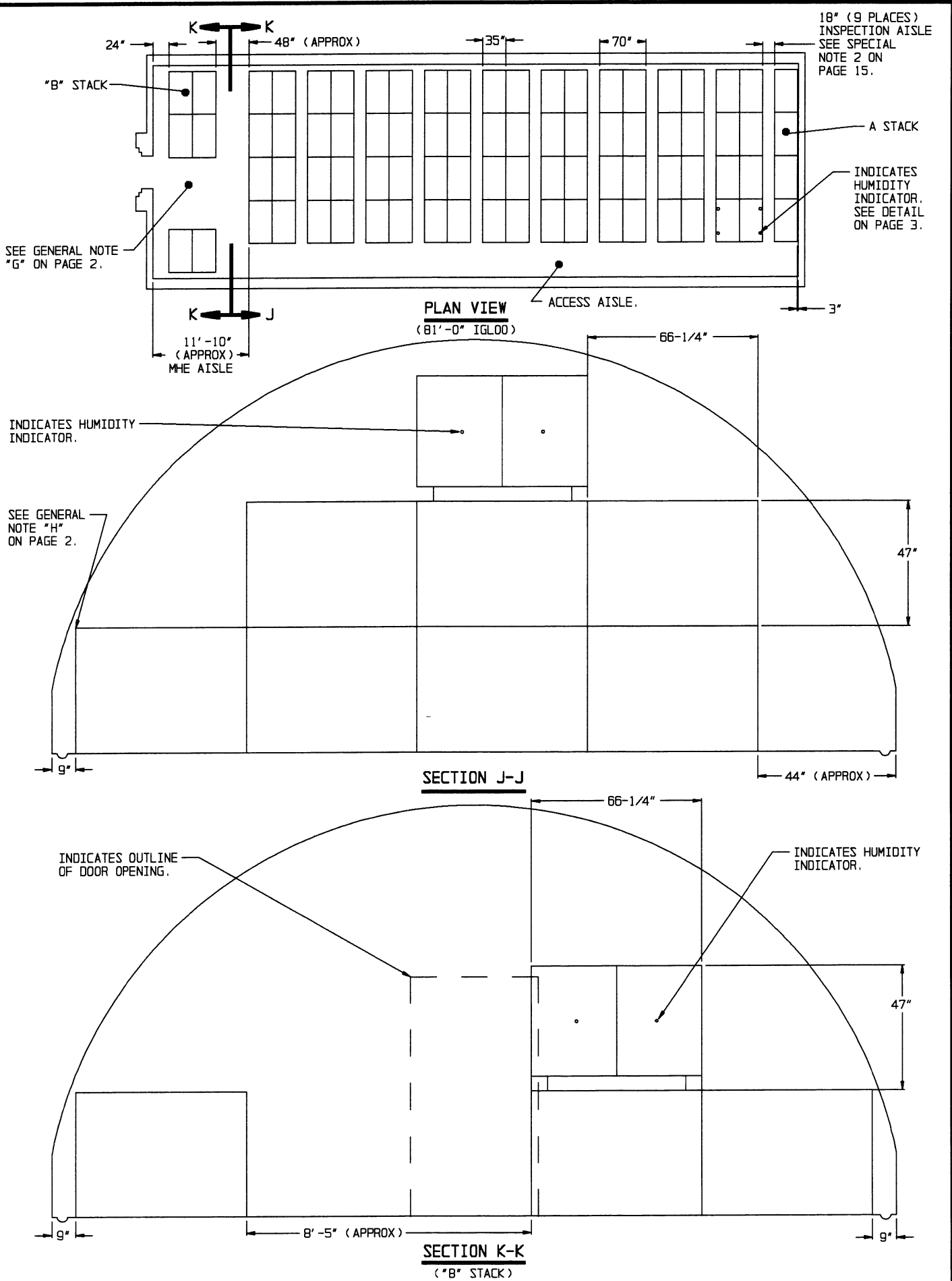
INSPECTION AISLE-
 20" (8 PLACES).
 SEE SPECIAL
 NOTE 2 ON THIS
 PAGE.

ISOMETRIC VIEW
 (100'-8" X 50'-0" MAGAZINE)

SEE GENERAL NOTE
 G ON PAGE 2.

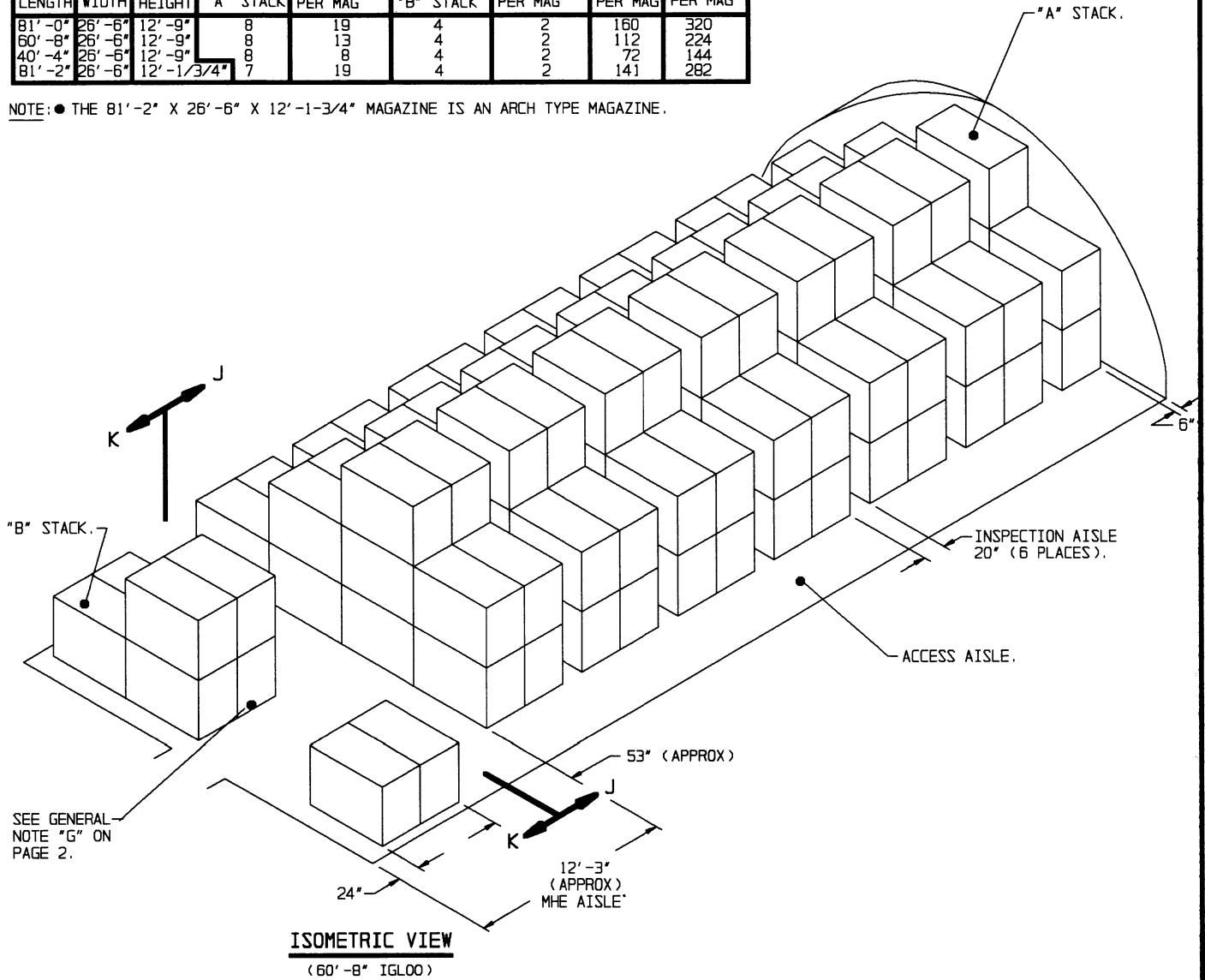
SPECIAL NOTES:

1. THE STORAGE PROCEDURES SHOWN IN THE "PLAN VIEW" ON PAGE 12 AND THE "ISOMETRIC VIEW" ON THIS PAGE ARE FOR A 100'-8" L BY 50'-0" W RECTANGULAR MAGAZINE.
2. AN INSPECTION AISLE IS SHOWN AT EACH SIDE OF THE BUNDLED UNIT WHERE THE HUMIDITY INDICATOR IS LOCATED. HOWEVER, AISLE DIMENSIONS MAY BE ADJUSTED SEE GENERAL NOTE *F* ON PAGE 2 AND DETAIL OF THE FOUR MXU-650/B BUNDLED UNIT ON PAGE 3.



MAGAZINE STORAGE FOR MXU-651/B AND MXU-667/B BUNDLED UNIT								
MAG LENGTH	MAG WIDTH	MAG HEIGHT	UNITS PER "A" STACK	"A" STACKS PER MAG	UNITS PER "B" STACK	"B" STACKS PER MAG	UNITS PER MAG	CNTRS PER MAG
81'-0"	26'-6"	12'-9"	8	19	4	2	160	320
60'-8"	26'-6"	12'-9"	8	13	4	2	112	224
40'-4"	26'-6"	12'-9"	8	8	4	2	72	144
81'-2"	26'-6"	12'-1-3/4"	7	19	4	2	141	282

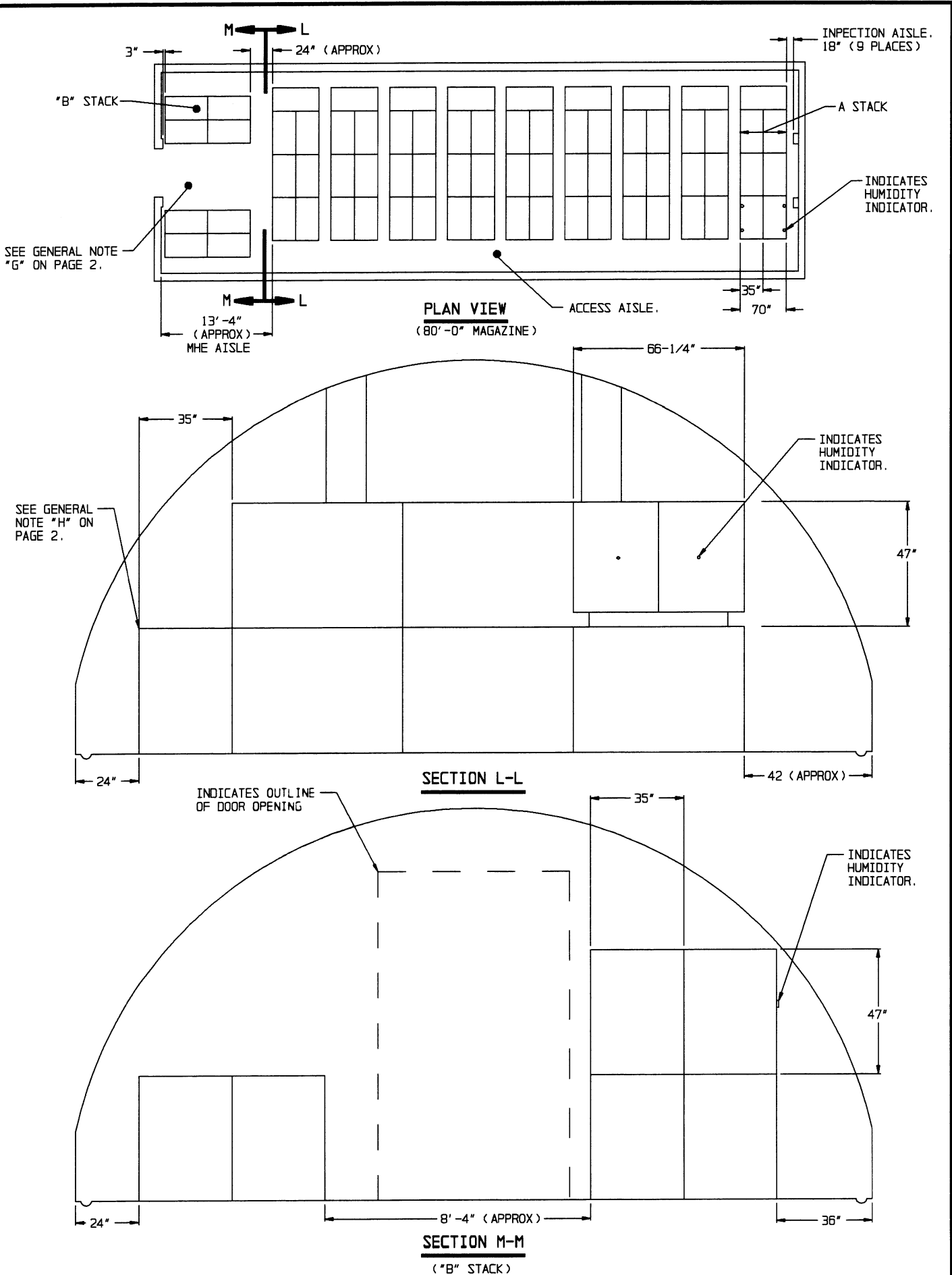
NOTE: ● THE 81'-2" X 26'-6" X 12'-1-3/4" MAGAZINE IS AN ARCH TYPE MAGAZINE.



SPECIAL NOTES:

1. THE STORAGE PROCEDURES SHOWN IN THE "PLAN VIEW" ON PAGE 14 ARE FOR AN 81'-0" IGLOO. THE STORAGE PROCEDURES SHOWN IN THE "ISOMETRIC VIEW" ON THIS PAGE ARE FOR A 60'-8" IGLOO. FOR STORAGE IN A 40'-4" IGLOO AND/OR AN 81'-2" ARCH TYPE MAGAZINE SEE THE "MAGAZINE STORAGE CHART" ON THIS PAGE.
2. AN INSPECTION AISLE IS SHOWN AT EACH SIDE OF THE BUNDLED UNIT WHERE THE HUMIDITY INDICATOR IS LOCATED. HOWEVER, AISLE DIMENSIONS MAY BE ADJUSTED. SEE GENERAL NOTE "F" ON PAGE 2 AND DETAIL OF THE TWO MXU-651/B OR MXU 667/B BUNDLED UNIT ON PAGE 3.

STORAGE PROCEDURES FOR MXU-651/B AND MXU-667/B
(BUNDLED UNITS) IN IGLOOS (SEE "NOTE ● "ABOVE").

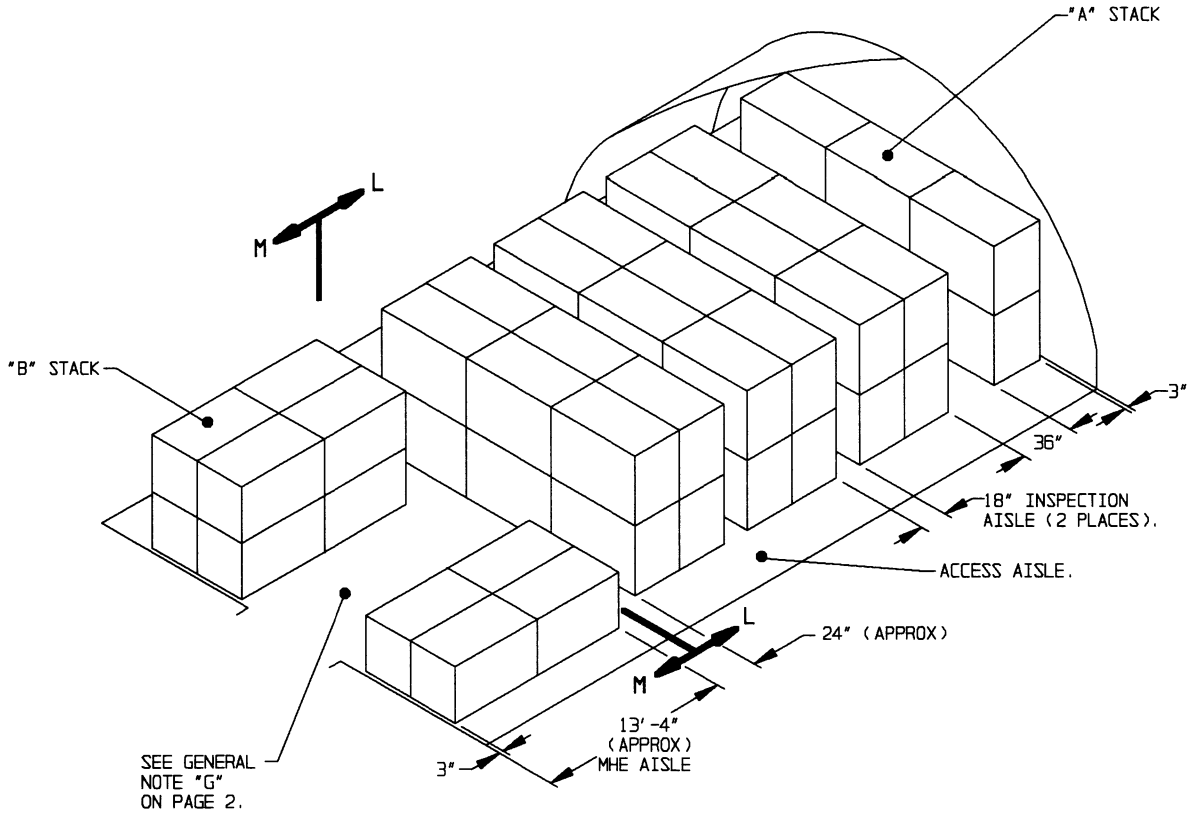


MAGAZINE STORAGE FOR MXU-650/B AND MXU-667/B BUNDLED UNITS

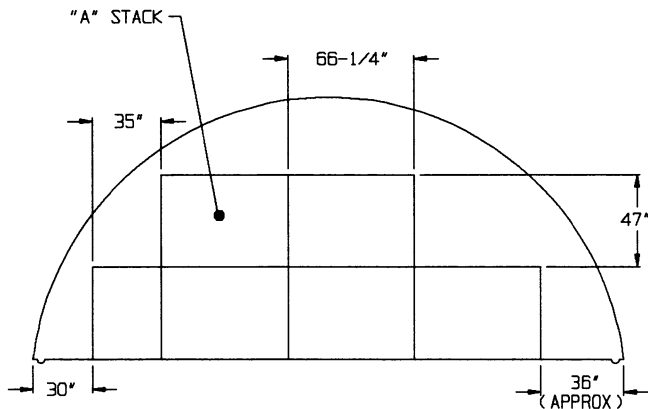
MAG LENGTH	MAG WIDTH	MAG HEIGHT	UNITS PER "A" STACK	"A" STACKS PER MAG	UNITS PER "B" STACK	"B" STACKS PER MAG	UNITS PER MAG	CNTRS PER MAG
80'-0"	25'-0"	12'-1-3/4"	13	9	6	2	129	258
40'-0"	25'-0"	12'-1-3/4"	13	*	6	2	58	116
80'-0"	25'-0"	11'-0"	11	9	6	3	111	222
40'-0"	25'-0"	11'-0"	11	*	6	3	51	102
80'-0"	25'-0"	10'-0"	11	9	6	2	111	222
40'-0"	25'-0"	10'-0"	11	*	6	2	51	102

*THREE "A" STACKS OF THIRTEEN (13) UNITS AND ONE PARTIAL STACK OF SEVEN (7) UNITS IN A 12'-1-3/4" HIGH MAGAZINE.

THREE "A" STACKS OF ELEVEN (11) UNITS AND ONE PARTIAL STACK OF SIX (6) UNITS IN AN 11'-0" OR A 10'-0" HIGH MAGAZINE.



ISOMETRIC VIEW
(40'-0" MAGAZINE)

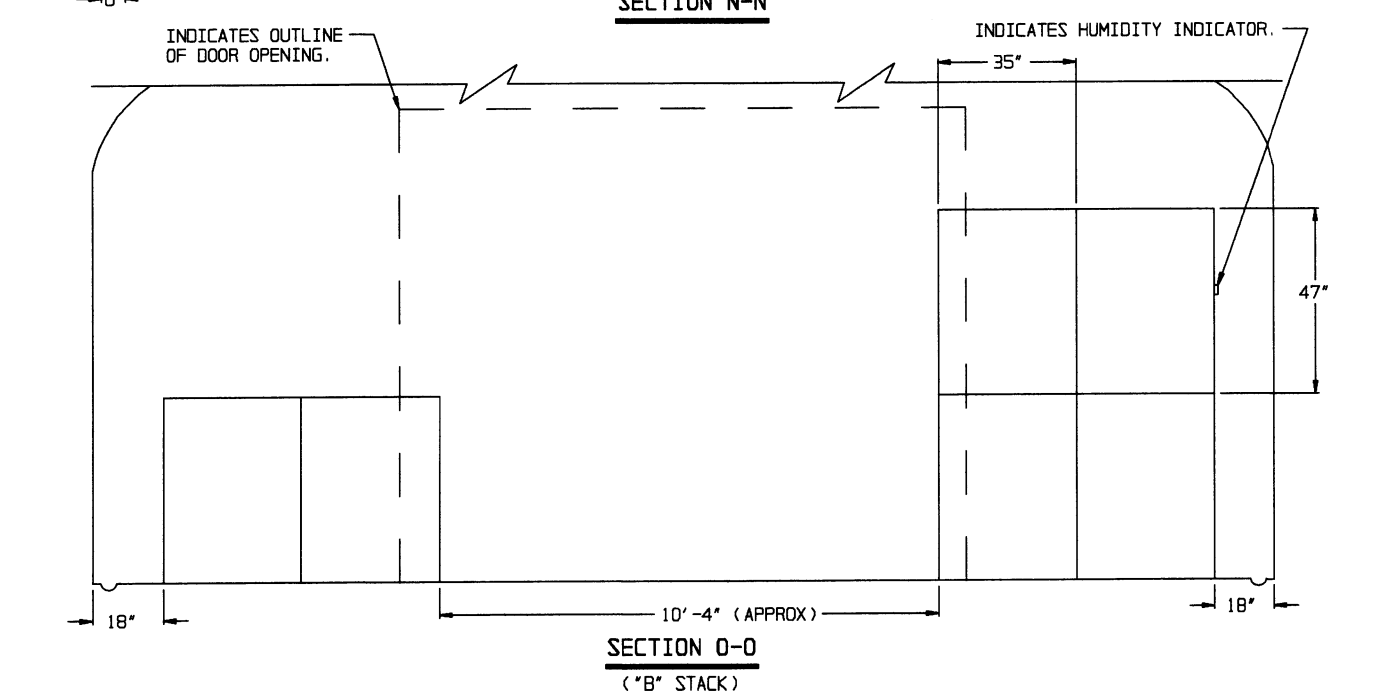
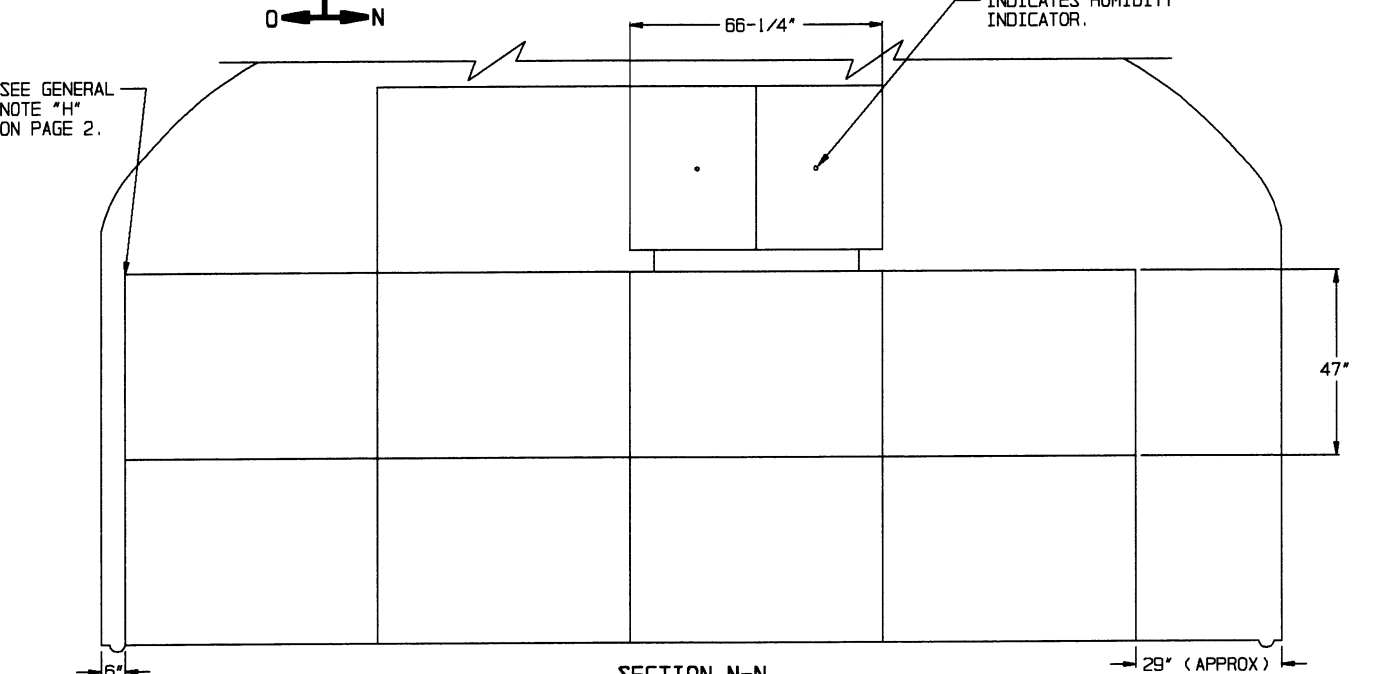
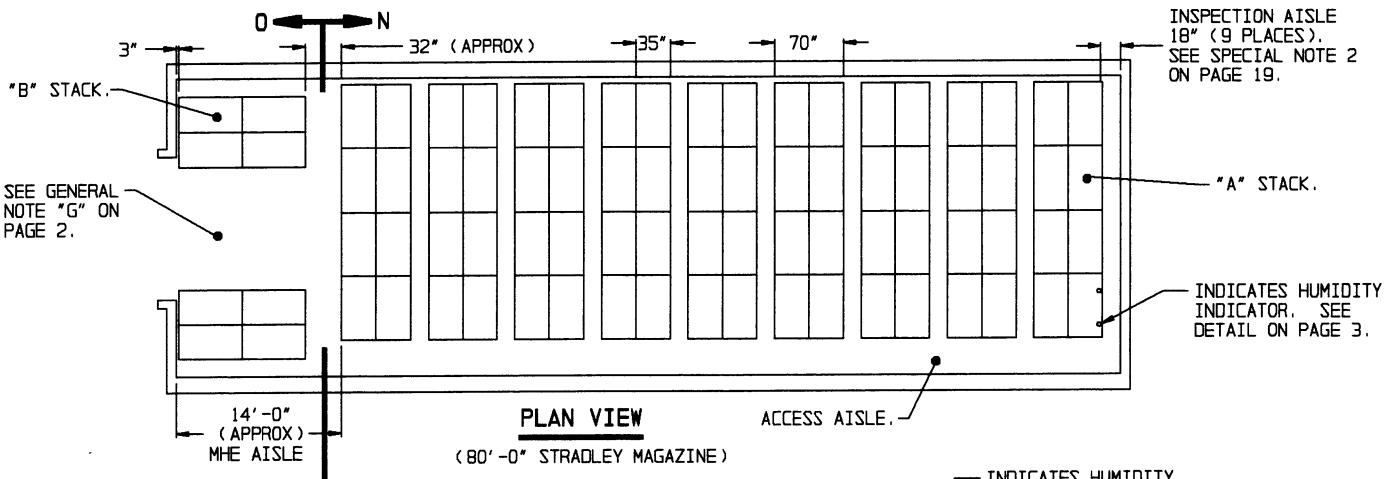


SECTION VIEW OF AN 11'-0" OR 10'-0" HIGH MAGAZINE

SEE SPECIAL NOTE 1 ON THIS PAGE.

SPECIAL NOTES:

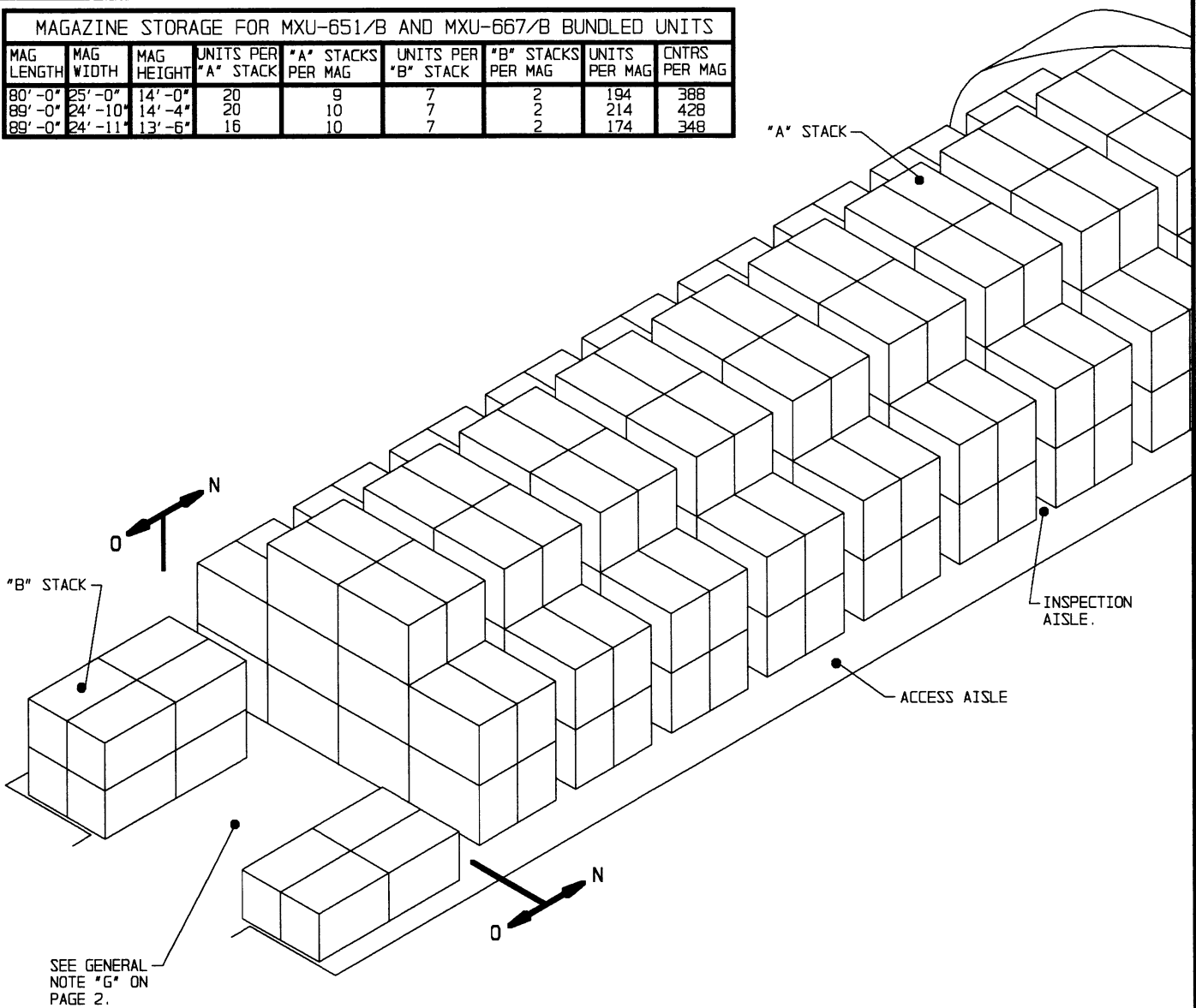
1. THE STORAGE PROCEDURES SHOWN IN THE "PLAN VIEW" ON PAGE 16 ARE FOR AN 80'-0" X 25'-0" X 12'-1-3/4" HIGH ARCH TYPE MAGAZINE. THE STORAGE PROCEDURES SHOWN IN THE "ISOMETRIC VIEW" ON THIS PAGE ARE FOR A 40'-0" X 25'-0" X 12'-1-3/4" HIGH ARCH TYPE MAGAZINE. FOR STORAGE IN AN 80'-0" X 25'-0" X 11'-0" HIGH AND/OR 40'-0" X 25'-0" X 11'-0" HIGH ARCH TYPE MAGAZINE. SEE THE "MAGAZINE STORAGE CHART" AND THE "SECTION VIEW OF AN 11'-0" OR 10'-0" HIGH ARCH TYPE MAGAZINE" ON THIS PAGE. FOR STORAGE IN AN 80'-0" X 25'-0" X 10'-0" HIGH AND/OR 40'-0" X 25'-0" X 10'-0" HIGH ARCH TYPE MAGAZINE, SEE THE "MAGAZINE STORAGE CHART" AND THE SECTION VIEW OF AN 11'-0" OR 10'-0" HIGH MAGAZINE" ON THIS PAGE.
2. AN INSPECTION AISLE IS SHOWN AT EACH SIDE OF THE BUNDLED UNITS WHERE THE HUMIDITY INDICATOR IS LOCATED. HOWEVER, AISLE DIMENSIONS MAY BE ADJUSTED. SEE GENERAL NOTE "F" ON PAGE 2 AND THE DETAIL OF THE TWO MXU-651/B OR MXU-667/B BUNDLED UNIT ON PAGE 3.



STORAGE PROCEDURES FOR MXU-651/B AND MXU-667/B (BUNDLED UNITS) IN STRADLEY, OVAL AND STEEL ARCH MAGAZINES

MAGAZINE STORAGE FOR MXU-651/B AND MXU-667/B BUNDLED UNITS

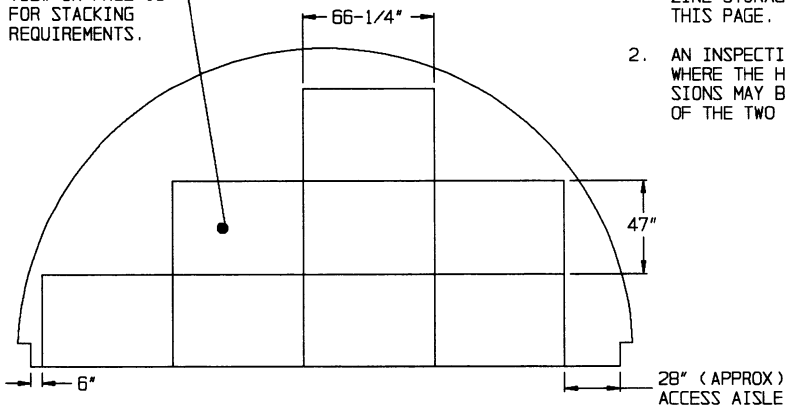
MAG LENGTH	MAG WIDTH	MAG HEIGHT	UNITS PER "A" STACK	"A" STACKS PER MAG	UNITS PER "B" STACK	"B" STACKS PER MAG	UNITS PER MAG	CNTRS PER MAG
80'-0"	25'-0"	14'-0"	20	9	7	2	194	388
89'-0"	24'-10"	14'-4"	20	10	7	2	214	428
89'-0"	24'-11"	13'-6"	16	10	7	2	174	348



ISOMETRIC VIEW

(80'-0" STRADLEY MAGAZINE)

HALF "A" STACK. SEE THE PLAN VIEW ON PAGE 18 FOR STACKING REQUIREMENTS.



SECTION VIEW OF A 13'-6" HIGH STEEL ARCH MAGAZINE

SPECIAL NOTES:

1. THE STORAGE PROCEDURES SHOWN IN THE "PLAN VIEW" ON PAGE 18 AND THE "ISOMETRIC VIEW" ON THIS PAGE ARE FOR THE STRADLEY MAGAZINE. FOR STORAGE IN OVAL ARCH AND STEEL ARCH MAGAZINES, SEE THE "MAGAZINE STORAGE CHART" AND SECTION VIEW FOR STEEL ARCH MAGAZINE ON THIS PAGE.
2. AN INSPECTION AISLE IS SHOWN AT EACH SIDE OF THE BUNDLED UNITS WHERE THE HUMIDITY INDICATOR IS LOCATED. HOWEVER, AISLE DIMENSIONS MAY BE ADJUSTED. SEE GENERAL NOTE "F" ON PAGE 2 AND DETAIL OF THE TWO MXU-651/B OR MXU-667/B BUNDLED UNIT ON PAGE 3.

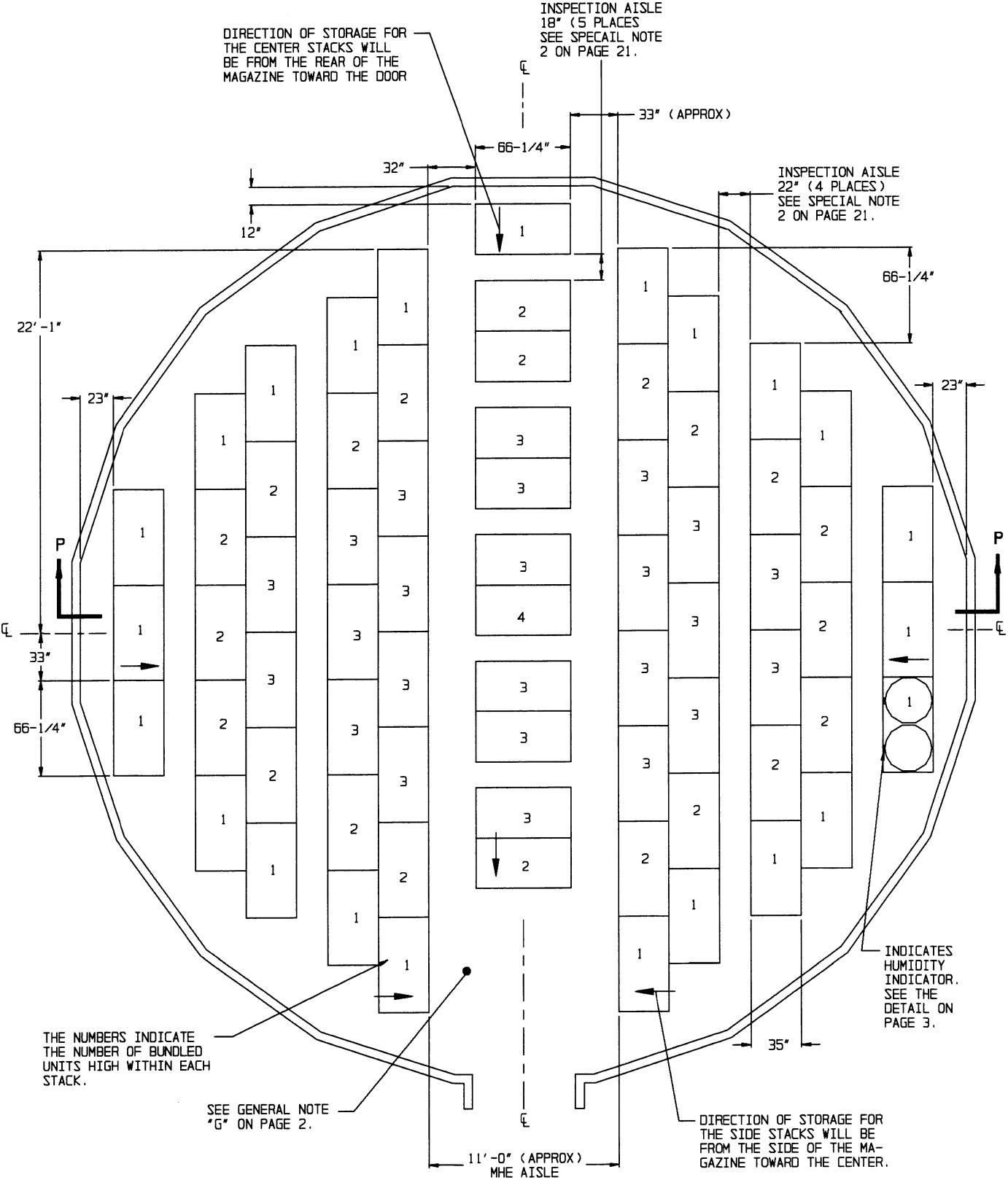
STORAGE PROCEDURES

FOR MXU-651/B AND MXU-667/B (BUNDLED UNITS) IN STRADLEY, OVAL AND STEEL ARCH MAGAZINES

INSPECTION AISLE
18" (5 PLACES)
SEE SPECIAL NOTE
2 ON PAGE 21.

DIRECTION OF STORAGE FOR
THE CENTER STACKS WILL
BE FROM THE REAR OF THE
MAGAZINE TOWARD THE DOOR

INSPECTION AISLE
22" (4 PLACES)
SEE SPECIAL NOTE
2 ON PAGE 21.



THE NUMBERS INDICATE
THE NUMBER OF BUNDLED
UNITS HIGH WITHIN EACH
STACK.

SEE GENERAL NOTE
"G" ON PAGE 2.

INDICATES
HUMIDITY
INDICATOR.
SEE THE
DETAIL ON
PAGE 3.

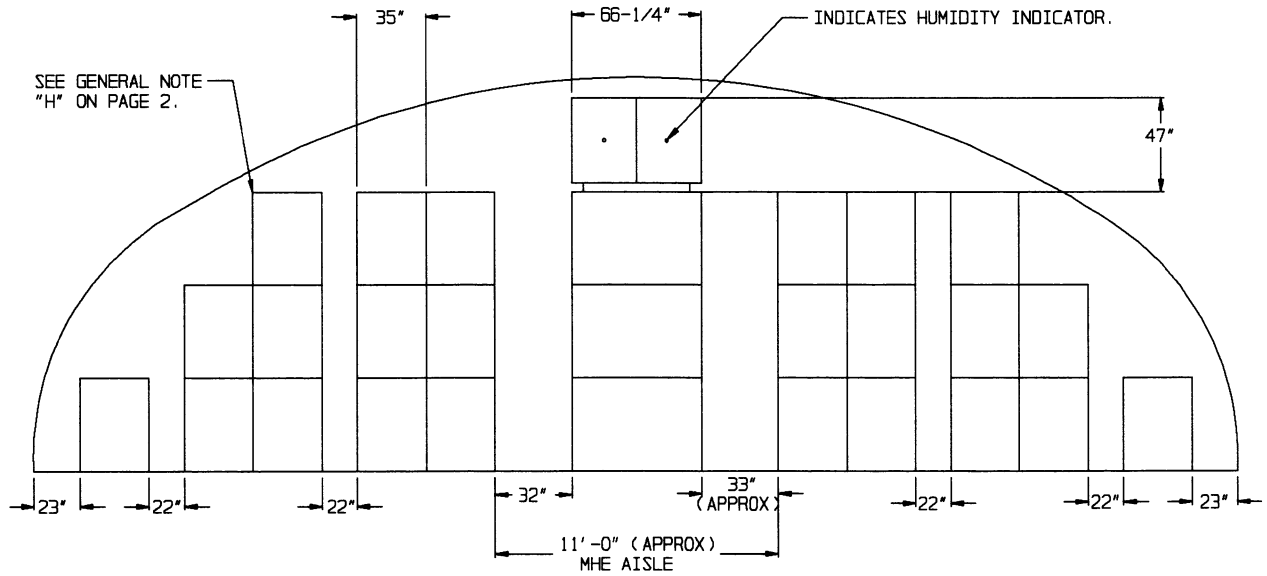
DIRECTION OF STORAGE FOR
THE SIDE STACKS WILL BE
FROM THE SIDE OF THE MA-
GAZINE TOWARD THE CENTER.

PLAN VIEW

(52'-0" DIA MAGAZINE)

MAGAZINE STORAGE FOR MXU-651/B AND MXU-667/B
BUNDLED UNITS IN A 52'-0" DIA CORBETTA MAGAZINE

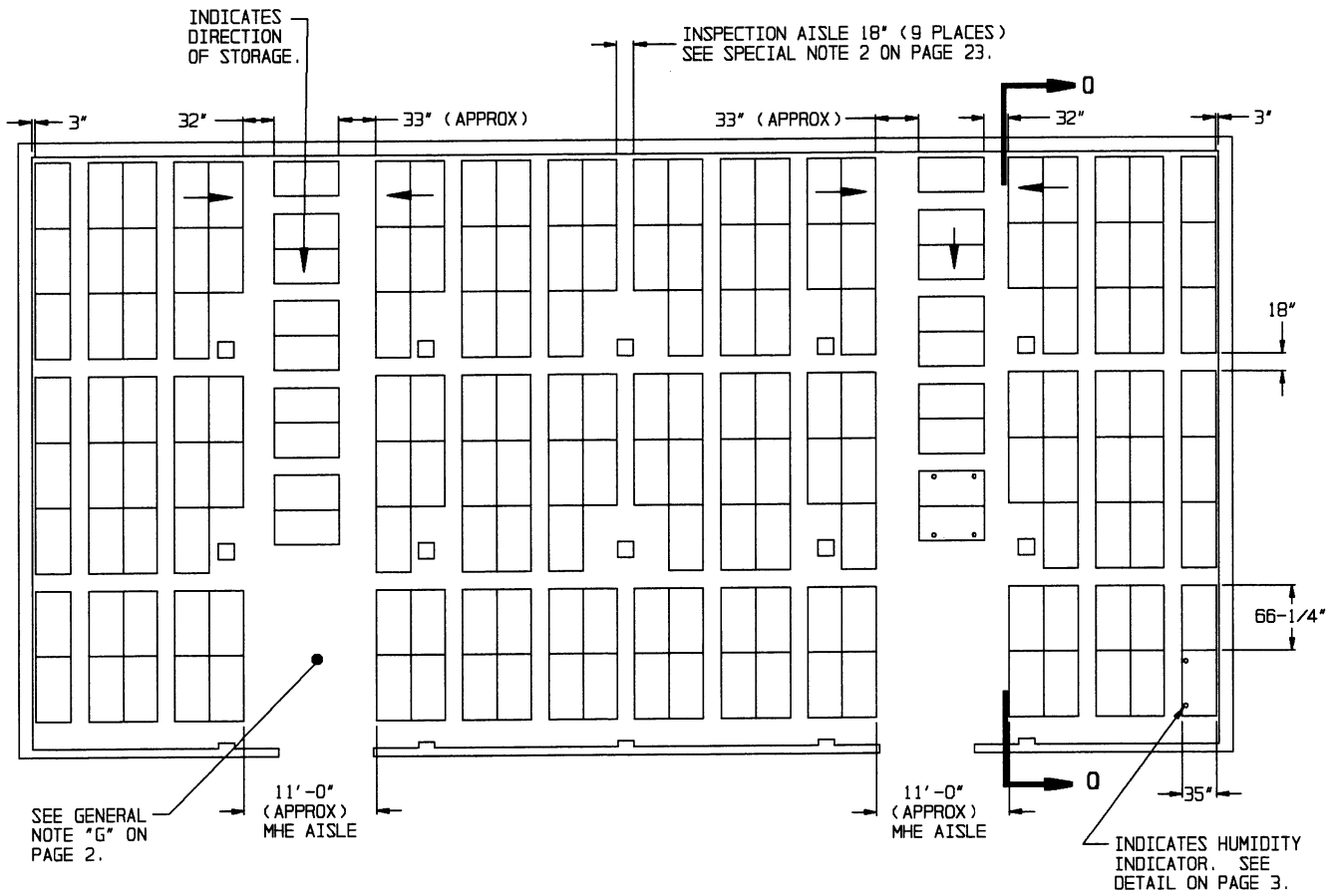
<u>ITEM</u>	<u>QUANTITY</u>
BUNDLED UNITS - - - - -	141
CONTAINERS - - - - -	282



SECTION P-P

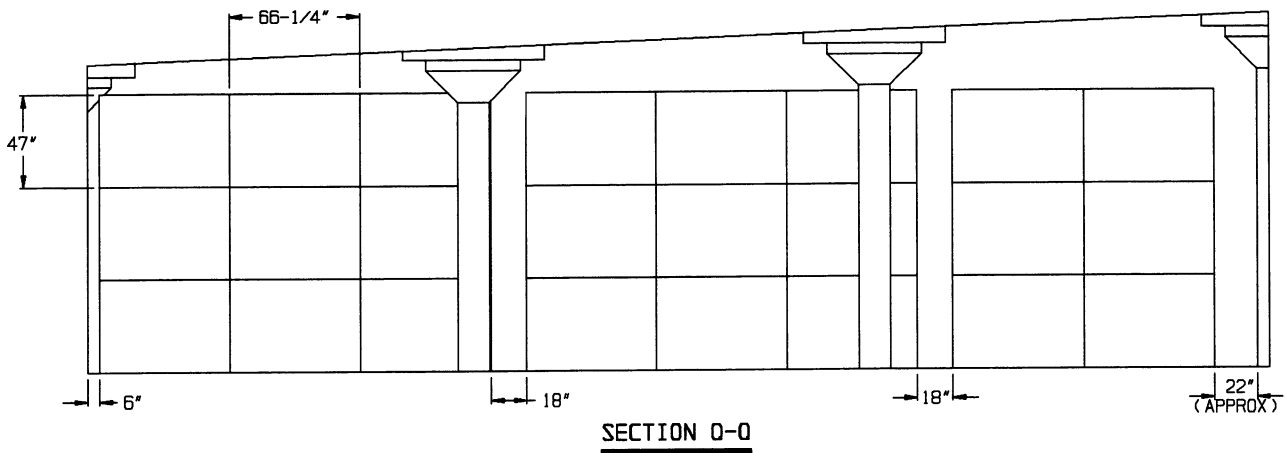
SPECIAL NOTES:

1. THE STORAGE PROCEDURES SHOWN IN THE "PLAN VIEW" ON PAGE 20 AND THE "SECTION P-P" ON THIS PAGE ARE FOR A 52'-0" DIAMETER CORBETTA MAGAZINE.
2. AN INSPECTION AISLE IS SHOWN AT EACH SIDE OF THE BUNDLED UNITS WHERE THE HUMIDITY INDICATOR IS LOCATED. HOWEVER, AISLE DIMENSIONS MAY BE ADJUSTED. SEE GENERAL NOTE "F" ON PAGE 2 AND DETAIL OF THE TWO MXU-651/B OR MXU-667/B BUNDLED UNIT ON PAGE 3.



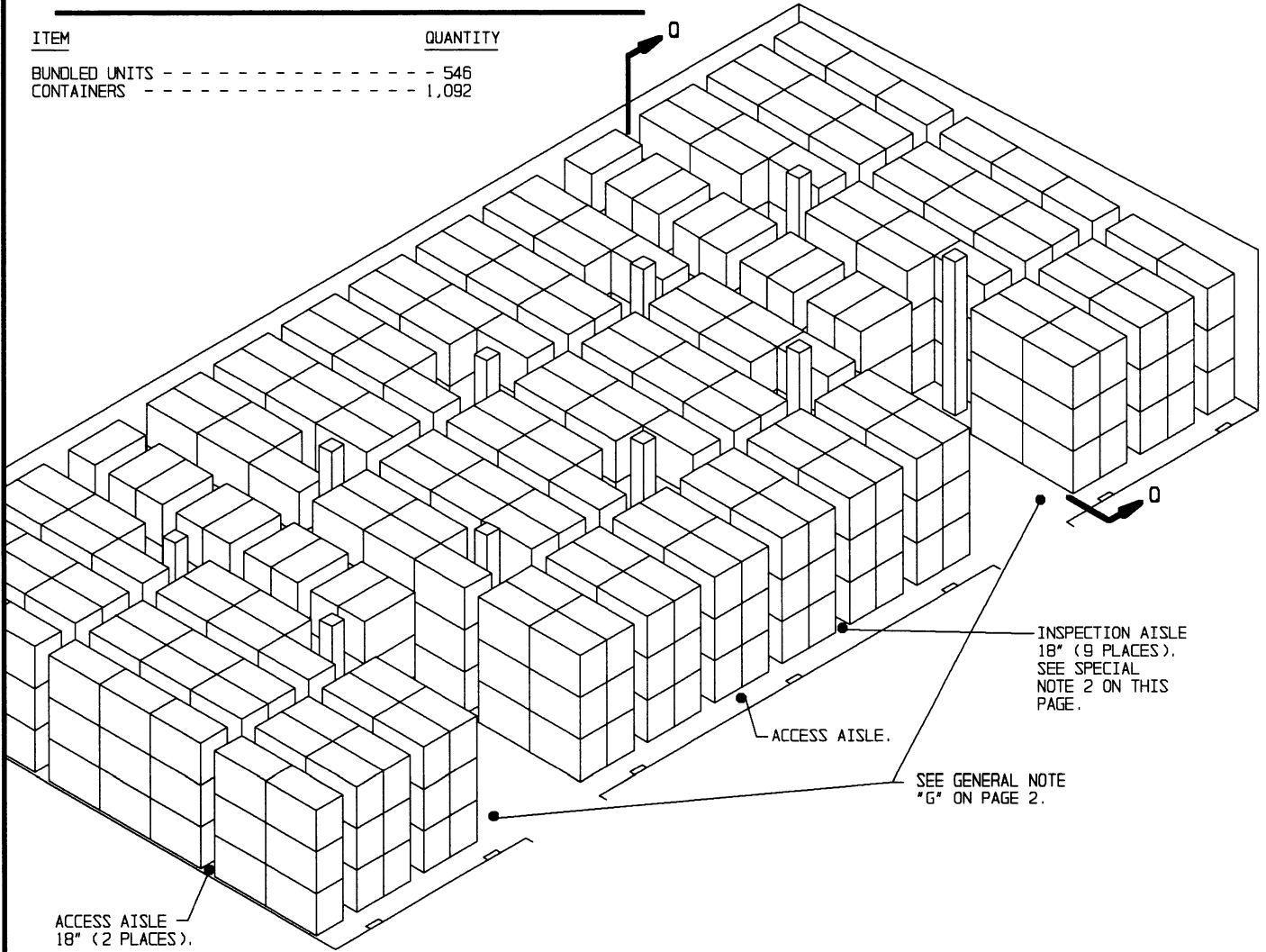
PLAN VIEW

(100'-8" X 50'-0" MAGAZINE)



MAGAZINE STORAGE FOR MXU-651/B AND MXU-667/B BUNDLED
 UNITS IN A 100'-8" X 50'-0" RECTANGULAR MAGAZINE

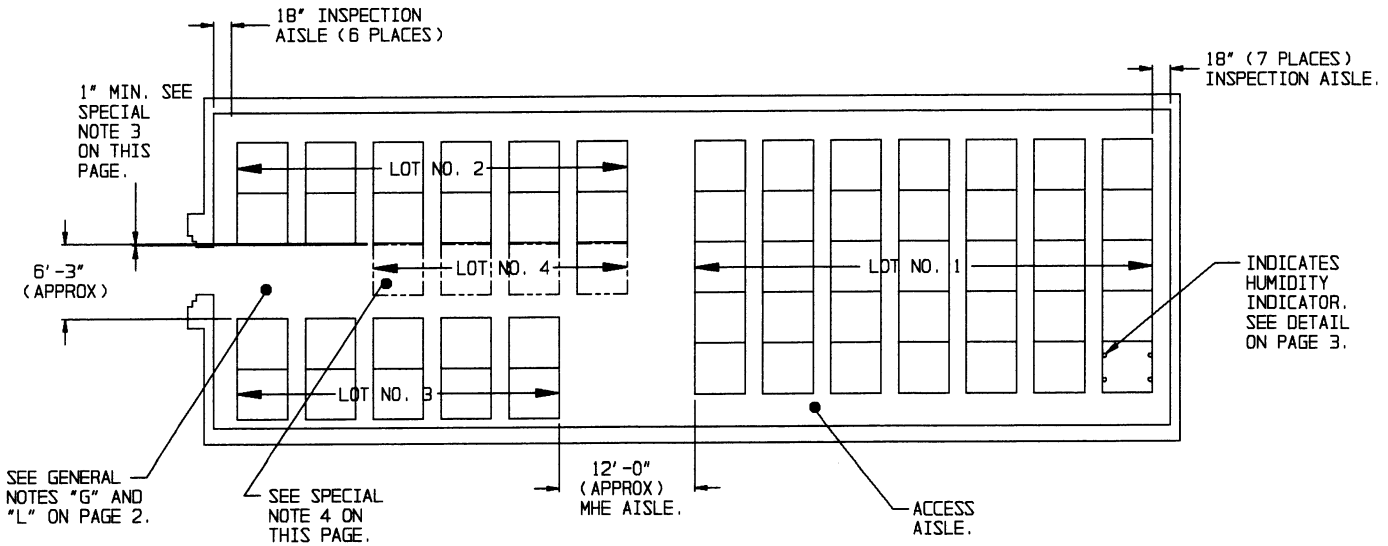
ITEM	QUANTITY
BUNDLED UNITS - - - - -	546
CONTAINERS - - - - -	1,092



ISOMETRIC VIEW
 (100'-8" X 50'-0" MAGAZINE)

SPECIAL NOTES:

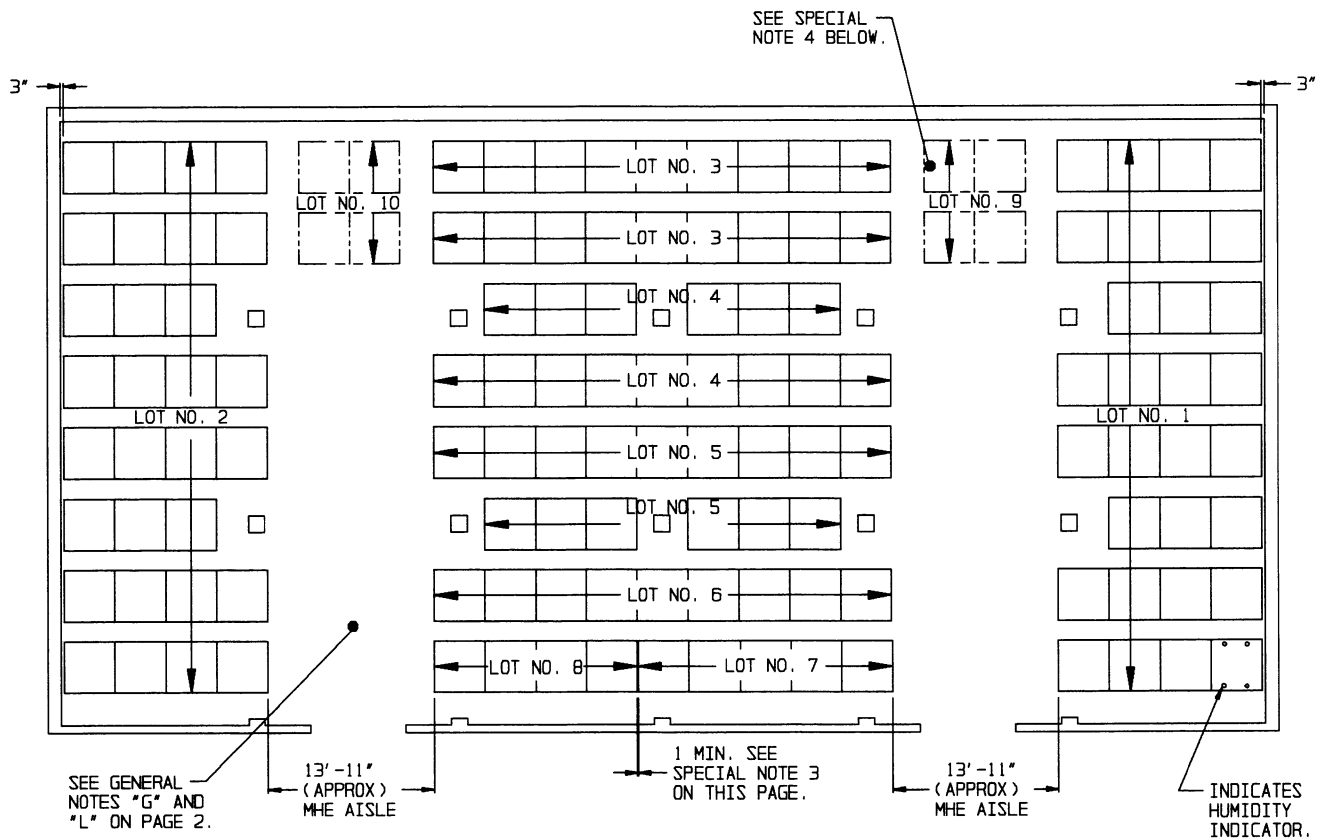
1. THE STORAGE PROCEDURES SHOWN IN THE "PLAN VIEW" ON PAGE 22 AND THE "ISOMETRIC VIEW" ON THIS PAGE ARE FOR A 100'-8" L BY 50'-0" W RECTANGULAR MAGAZINE.
2. AN INSPECTION AISLE IS SHOWN AT EACH SIDE OF THE BUNDLED UNIT WHERE THE HUMIDITY INDICATOR IS LOCATED. HOWEVER, AISLE DIMENSIONS MAY BE ADJUSTED. SEE GENERAL NOTE "F" ON PAGE 2 AND DETAIL OF THE TWO MXU-651/B OR MXU-667/B BUNDLED UNIT ON PAGE 3.



PLAN VIEW
(81'-0" IGLOO)

SPECIAL NOTES:

1. THE MULTIPLE-LOT STORAGE SHOWN ABOVE IS TYPICAL ONLY AND APPLIES TO STORAGE OF NUMEROUS LOTS. ADAPTATIONS MAY BE MADE DEPENDING ON THE NUMBER AND SIZE OF LOTS TO BE STORED. A "PLAN VIEW" OF AN 81'-0" X 26'-6" X 12'-9" HIGH IGLOO MAGAZINE DEPICTING TYPICAL MULTIPLE-LOT STORAGE FOR MXU-650/B BUNDLED UNITS IS SHOWN. SEE THE "STORAGE PROCEDURES FOR THE MXU-650/B IN IGLOO MAGAZINE" ON PAGES 4 AND 5 FOR QUANTITIES OF BUNDLED UNITS WITHIN A "STACK" OR "MAGAZINE". THESE PROCEDURES MAY ALSO BE USED FOR DEVELOPING MULTIPLE-LOT STORAGE FOR MXU-651/B AND MXU-667/B BUNDLED UNITS. SEE THE "STORAGE PROCEDURES FOR MXU-651/B AND MXU-667/B BUNDLED UNITS IN IGLOO MAGAZINE" ON PAGES 14 AND 15 FOR GUIDANCE.
2. THESE PROCEDURES WILL BE USED FOR DEVELOPING MULTIPLE-LOT STORAGE IN IGLOO, ARCH TYPE, STRADLEY, OVAL ARCH AND STEEL ARCH MAGAZINES. WHEN DEVELOPING A MULTIPLE-LOT STORAGE PLAN FOR THE MXU-650/B BUNDLED UNITS, USE A COMBINATION OF THE PROCEDURES SHOWN ON PAGES 4 THROUGH 9, DEPENDING ON WHICH TYPE OF MAGAZINE IS BEING USED. WHEN DEVELOPING A MULTIPLE-LOT STORAGE PLAN FOR THE MXU-651/B OR MXU-667/B BUNDLED UNITS, USE A COMBINATION OF THE PROCEDURES SHOWN ON THIS PAGE AND ON PAGES 14 THROUGH 19, DEPENDING ON WHICH TYPE OF MAGAZINE IS BEING USED.
3. WHEN TWO LOTS ARE STORED ADJACENT TO EACH OTHER WITHIN THE SAME STACK, AS SHOWN BY LOT NO. 2 AND LOT NO. 4 IN THE "PLAN VIEW" ABOVE, THEY MUST BE SEPARATED BY AT LEAST ONE-INCH (1") TO PROVIDE CLEARANCE FOR THE REMOVAL OF EITHER LOT.
4. UNITS SHOWN BY PHANTOM LINES INDICATE LOCATIONS WHERE ADDITIONAL LOTS MAY BE STORED. COMPLIANCE WITH ALL OF THE MULTIPLE-LOT CRITERIA AS SET FORTH ON THIS PAGE MUST BE OBSERVED. THE SIZE OF THE LOTS BEING STORED AND THE CRITERIA OF GENERAL NOTE "L" ON PAGE 2, RELATIVE TO "12 LIFTS" WILL BE MAJOR FACTORS IMPACTING ON THE NUMBER OF BUNDLED UNITS THAT CAN BE STORED IN AN "ADDITIONAL STORAGE LOCATION". MORE OR FEWER STACKS THAN SHOWN MAY BE STORED. A "CENTER AISLE" IS TO BE AT LEAST 54" INCHES WIDE. AN AISLE SLIGHTLY WIDER THAN 54" INCHES MAY BE REQUIRED AND WILL ENHANCE FORKLIFT TRUCK MOVEMENT WITHIN A MAGAZINE; HOWEVER THIS AISLE SHOULD NOT BE MADE WIDER THAN NECESSARY IF A LOSS IN STORAGE RESULTS.
5. FOR ADDITIONAL GUIDANCE, SEE GENERAL NOTES "K", "L" AND "M" ON PAGE 2.
6. AISLE DIMENSIONS MAY BE ADJUSTED. SEE GENERAL NOTE "F" ON PAGE 2.



PLAN VIEW

(100'-8" X 50'-0" MAGAZINE)

SPECIAL NOTES:

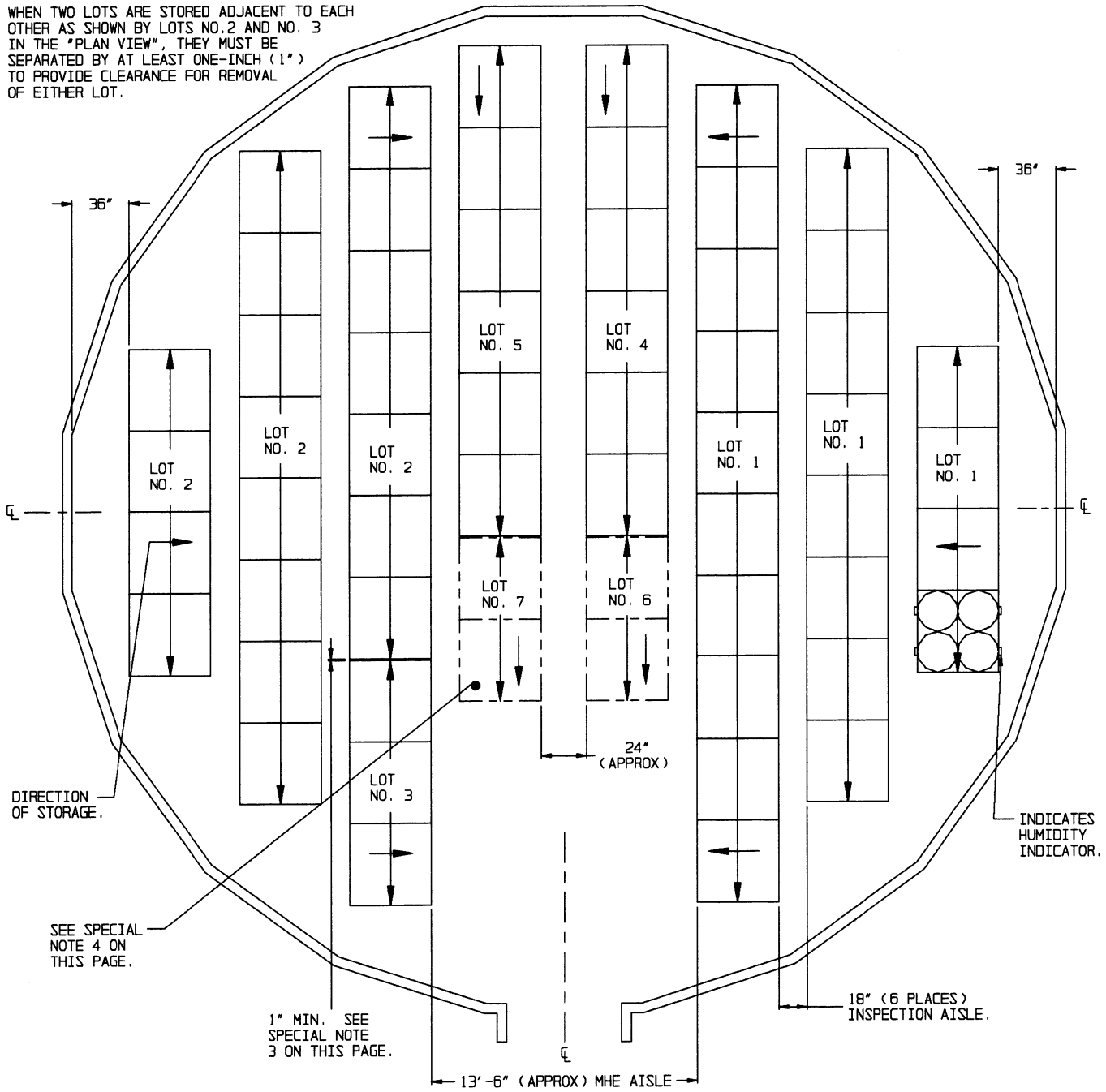
1. THE MULTIPLE-LOT STORAGE SHOWN ABOVE IS TYPICAL ONLY AND APPLIES TO STORAGE OF NUMEROUS LOTS. ADAPTATIONS MAY BE MADE DEPENDING ON THE NUMBER AND SIZE OF LOTS TO BE STORED. A "PLAN VIEW" OF A 100'-8" X 50'-0" RECTANGULAR MAGAZINE DEPICTING TYPICAL MULTIPLE-LOT STORAGE FOR MXU-650/B BUNDLED UNITS IS SHOWN. SEE THE "STORAGE PROCEDURES FOR THE MXU-650/B BUNDLED UNITS IN RECTANGULAR MAGAZINES" ON PAGES 12 AND 13 FOR QUANTITIES OF BUNDLED UNITS WITHIN A "STACK" OR "MAGAZINE". THESE PROCEDURES MAY ALSO BE USED FOR DEVELOPING MULTIPLE-LOT STORAGE FOR MXU-651/B AND MXU-667/B BUNDLED UNITS. SEE THE "STORAGE PROCEDURES IN RECTANGULAR MAGAZINES" ON PAGES 22 AND 23.
2. WHEN DEVELOPING A MULTIPLE-LOT STORAGE PLAN FOR THE MXU-650/B BUNDLED UNITS USE A COMBINATION OF THE PROCEDURES SHOWN ON THIS PAGE AND THE PROCEDURES SHOWN ON PAGES 12 AND 13. WHEN DEVELOPING A MULTIPLE-LOT STORAGE PLAN FOR THE MXU-651/B OR MXU-667/B BUNDLED UNITS, USE A COMBINATION OF THE PROCEDURES SHOWN ON THIS PAGE AND THE PROCEDURES SHOWN ON PAGES 22 AND 23.
3. WHEN TWO LOTS ARE STORED ADJACENT TO EACH OTHER WITHIN THE SAME STACK, AS SHOWN BY LOTS NO. 7 AND NO. 8 IN THE "PLAN VIEW" ABOVE, THEY MUST BE SEPARATED BY AT LEAST ONE INCH (1") TO PROVIDE CLEARANCE FOR THE REMOVAL OF EITHER LOT.
4. UNITS SHOWN BY PHANTOM LINES INDICATE LOCATIONS WHERE ADDITIONAL LOTS MAY BE STORED. COMPLIANCE WITH ALL OF THE MULTIPLE-LOT CRITERIA AS SET FORTH ON THIS PAGE MUST BE OBSERVED. THE SIZE OF THE LOTS BEING STORED AND THE CRITERIA OF GENERAL NOTE "L" ON PAGE 2, RELATIVE TO "24 LIFTS" WILL BE MAJOR FACTORS IMPACTING ON THE NUMBER OF BUNDLED UNITS THAT CAN BE STORED IN AN "ADDITIONAL STORAGE LOCATION". MORE OR FEWER STACKS THAN SHOWN MAY BE STORED. THE MHE OPERATING AREA CAN BE ENLARGED AS REQUIRED TO SUIT AVAILABLE FORKLIFT TRUCKS AND SHOULD BE MADE SMALLER IF AVAILABLE MHE PERMITS. HOWEVER, THIS AISLE SHOULD NOT BE MADE WIDER THAN NECESSARY IF A LOSS RESULTS.
5. FOR ADDITIONAL GUIDANCE, SEE GENERAL NOTES "K", "L" AND "M" ON PAGE 2.
6. AISLE DIMENSIONS MAY BE ADJUSTED. SEE GENERAL NOTE "F" ON PAGE 2.

SPECIAL NOTES:

(SPECIAL NOTES CONTINUED)

1. THE MULTIPLE-LOT STORAGE SHOWN IS TYPICAL ONLY AND APPLIES TO STORAGE OF NUMEROUS LOTS. ADAPTATIONS MAY BE MADE DEPENDING ON THE NUMBER AND SIZE OF LOTS TO BE STORED. A "PLAN VIEW" OF A CORBETTA MAGAZINE DEPICTING TYPICAL MULTIPLE-LOT STORAGE FOR MXU-650/B BUNDLED UNITS IS SHOWN. SEE THE "STORAGE PROCEDURES IN CORBETTA MAGAZINES" ON PAGES 10 AND 11 FOR QUANTITIES OF BUNDLED UNITS WITHIN A "STACK" OR "MAGAZINE". THESE PROCEDURES MAY ALSO BE USED FOR DEVELOPING MULTIPLE-LOT STORAGE FOR MXU-651/B AND MXU-667/B BUNDLED UNITS. SEE THE "STORAGE PROCEDURES IN CORBETTA MAGAZINE" ON PAGES 20 AND 21 FOR GUIDANCE.
2. WHEN DEVELOPING A MULTIPLE-LOT STORAGE PLAN FOR MXU-650/B BUNDLED UNITS, USE A COMBINATION OF THE PROCEDURES SHOWN ON THIS PAGE AND ON PAGES 10 AND 11. WHEN DEVELOPING A MULTIPLE-LOT STORAGE PLAN FOR THE MXU-651/B AND MXU-667/B BUNDLED UNITS USE COMBINATION OF THE PROCEDURES SHOWN ON THIS PAGE AND ON PAGES 20 AND 21.
3. WHEN TWO LOTS ARE STORED ADJACENT TO EACH OTHER AS SHOWN BY LOTS NO. 2 AND NO. 3 IN THE "PLAN VIEW", THEY MUST BE SEPARATED BY AT LEAST ONE-INCH (1") TO PROVIDE CLEARANCE FOR REMOVAL OF EITHER LOT.

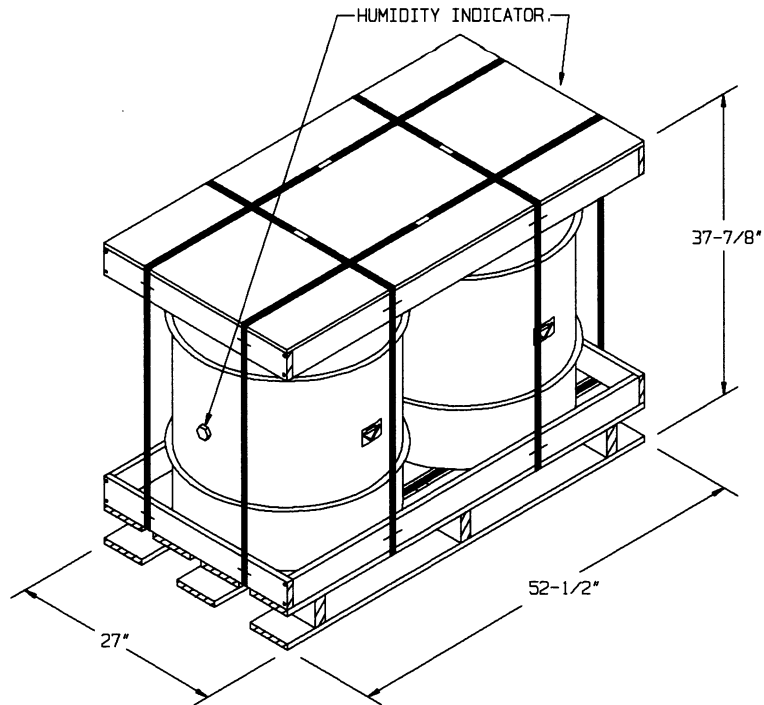
4. THE UNITS SHOWN BY PHANTOM LINES WITHIN THE MHE AISLE INDICATE LOCATIONS WHERE ADDITIONAL LOTS MAY BE STORED. COMPLIANCE WITH ALL OF THE MULTIPLE-LOT CRITERIA AS SET FORTH ON THIS PAGE MUST BE OBSERVED. THE SIZE OF THE LOTS BEING STORED AND THE CRITERIA OF GENERAL NOTE "L" ON PAGE 2 RELATIVE TO "12 LIFTS", WILL BE MAJOR FACTORS IMPACTING ON THE NUMBER OF BUNDLED UNITS THAT CAN BE STORED IN AN "ADDITIONAL STORAGE LOCATION". MORE OR FEWER STACKS THAN SHOWN MAY BE STORED. THE MHE OPERATING AREA CAN BE ENLARGED AS REQUIRED TO SUIT AVAILABLE FORKLIFT TRUCKS, AND SHOULD BE MADE SMALLER IF AVAILABLE MHE PERMITS. HOWEVER, THIS AISLE SHOULD NOT BE MADE WIDER IF A LOSS IN STORAGE RESULTS.
5. FOR ADDITIONAL GUIDANCE, SEE GENERAL NOTES "K", "L", AND "M" ON PAGE 2.
6. AISLE DIMENSIONS MAY BE ADJUSTED. SEE GENERAL NOTE "F" ON PAGE 2.



PLAN VIEW

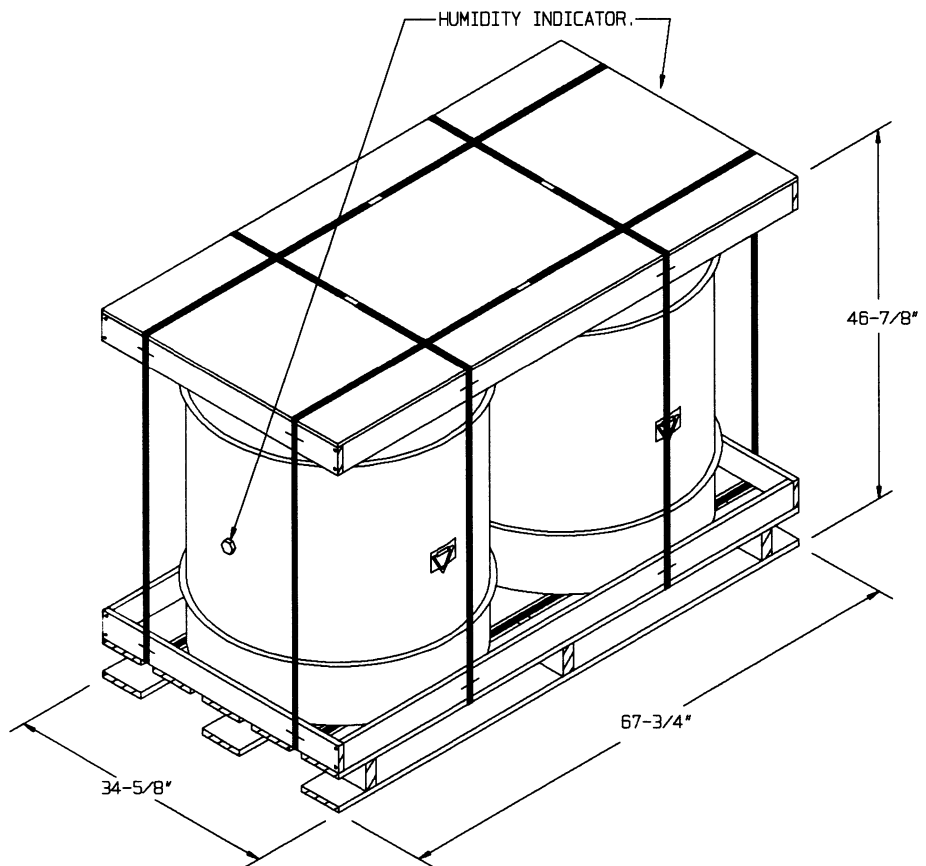
(52'-0" DIA MAGAZINE)

TYPICAL MULTIPLE-LOT STORAGE PROCEDURES FOR MXU-650/B, MXU-651/B AND MXU-667/B (BUNDLED UNITS) IN CORBETTA MAGAZINE



**MXU-650/B
PALLET UNIT**

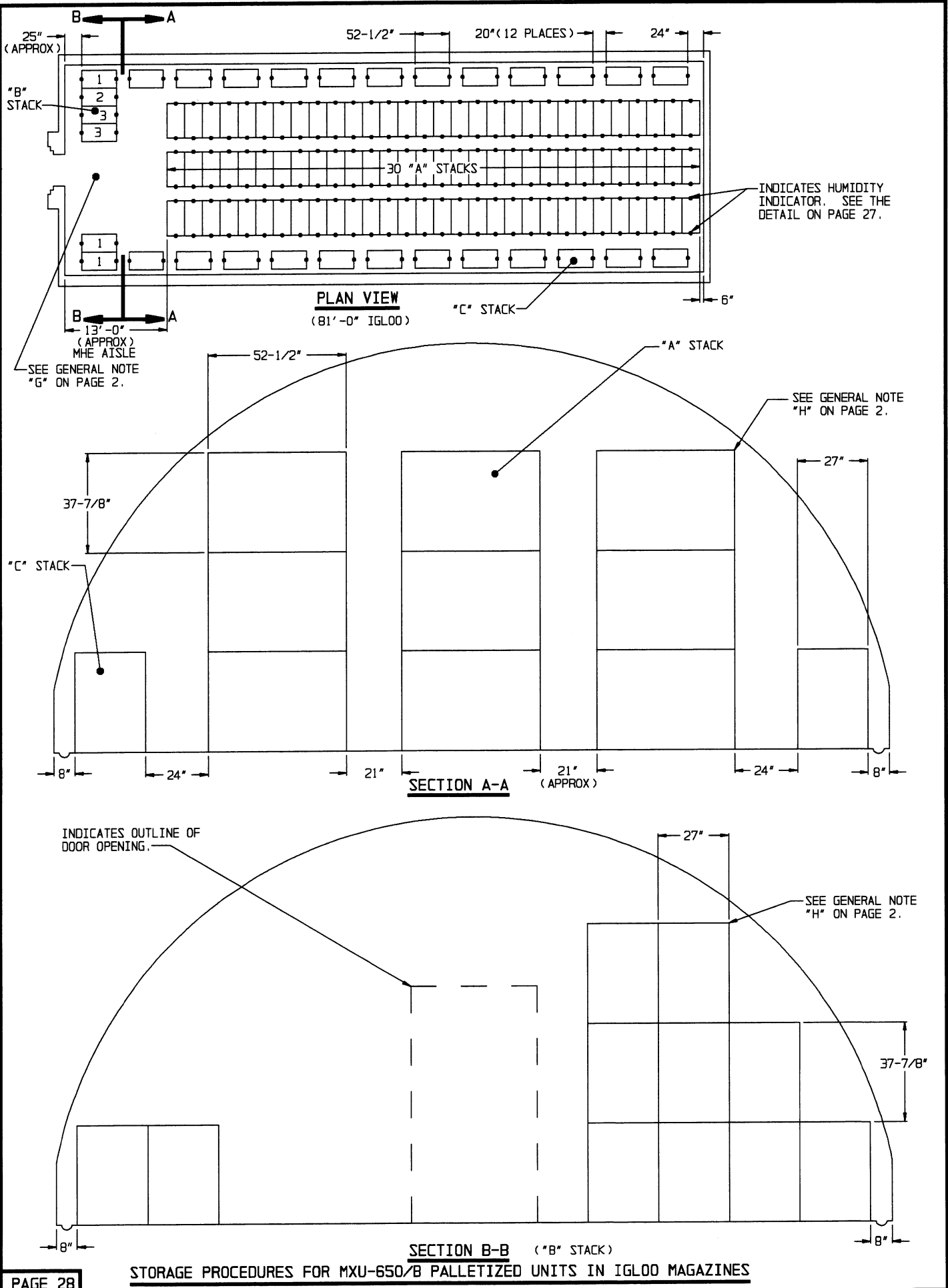
CUBE - - - 31.07 CU. FT. (APPROX)
WEIGHT - - 390 POUNDS (APPROX)



**MXU-651/B AND MXU-667/B
PALLET UNIT**

CUBE - - - - - 63.64 CU. FT. (APPROX)
MXU-651/B WEIGHT - - 674 POUNDS (APPROX)
MXU-667/B WEIGHT - - 490 POUNDS (APPROX)

PALLETIZED UNIT DETAILS

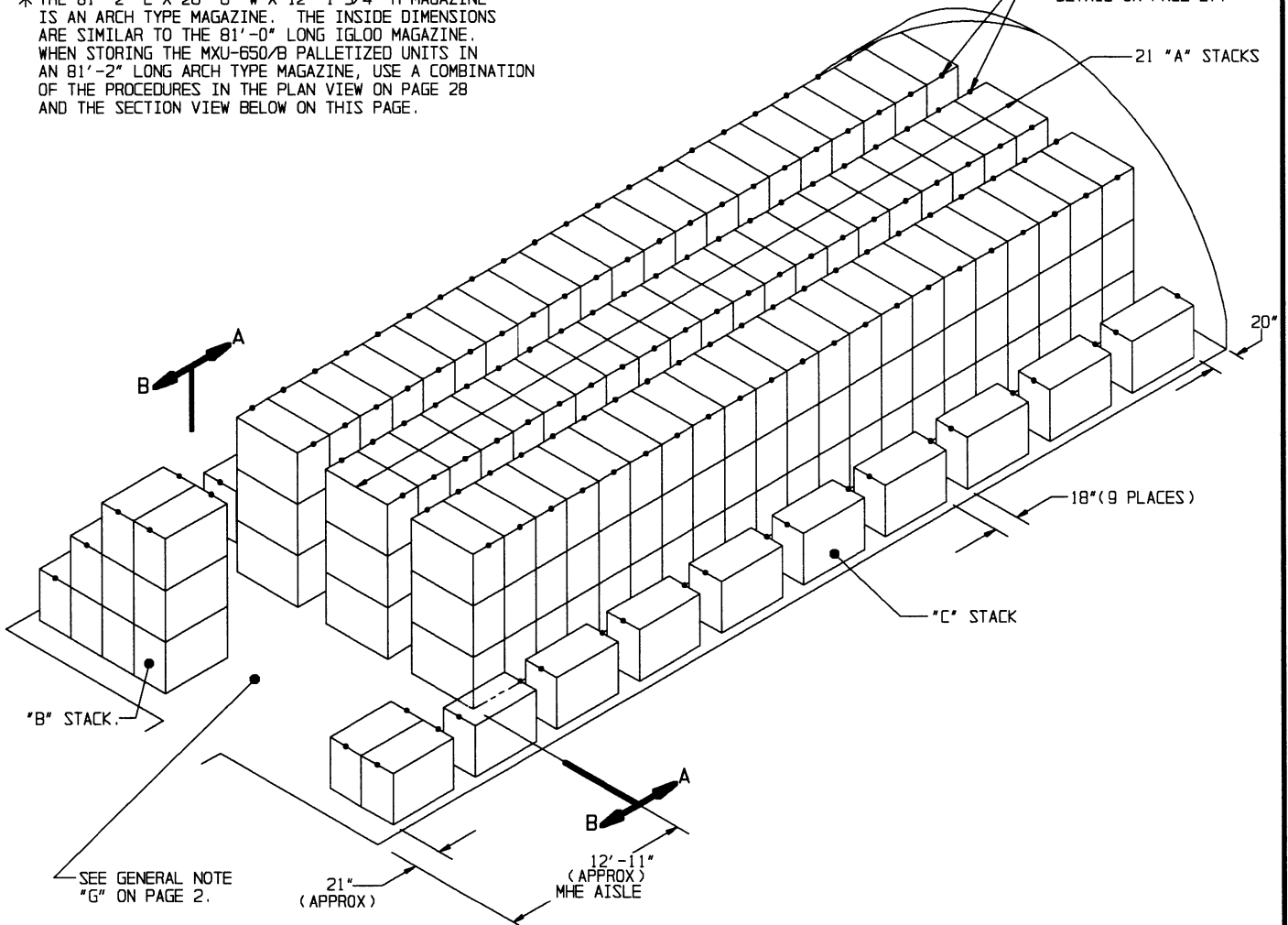


MAGAZINE STORAGE FOR MXU-650/B PALLETIZED UNITS

MAG LENGTH	MAG WIDTH	MAG HEIGHT	UNITS PER "A" STACK	"A" STACKS PER MAG	UNITS PER "B" STACK	"B" STACKS PER MAG	UNITS PER "C" STACK	"C" STACKS PER MAG	UNITS PER MAG	CNTRS PER MAG
81'-0"	26'-6"	12'-9"	9	30	11	1	12	2	305	610
60'-8"	26'-6"	12'-9"	9	21	11	1	9	2	218	436
40'-4"	26'-6"	12'-9"	9	12	11	1	6	2	131	262
* 81'-2"	26'-6"	12'-1-3/4"	6	30	11	1	36	2	263	526

* THE 81'-2" L X 26'-6" W X 12'-1-3/4" H MAGAZINE IS AN ARCH TYPE MAGAZINE. THE INSIDE DIMENSIONS ARE SIMILAR TO THE 81'-0" LONG IGLOO MAGAZINE. WHEN STORING THE MXU-650/B PALLETIZED UNITS IN AN 81'-2" LONG ARCH TYPE MAGAZINE, USE A COMBINATION OF THE PROCEDURES IN THE PLAN VIEW ON PAGE 28 AND THE SECTION VIEW BELOW ON THIS PAGE.

INDICATES HUMIDITY INDICATOR. SEE THE DETAIL ON PAGE 27.

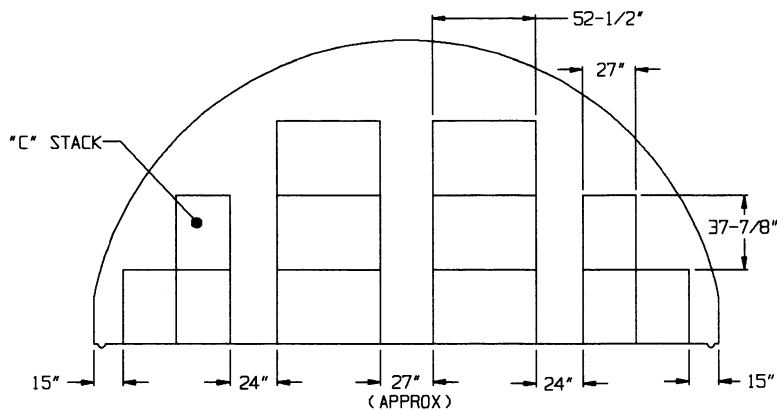


ISOMETRIC VIEW

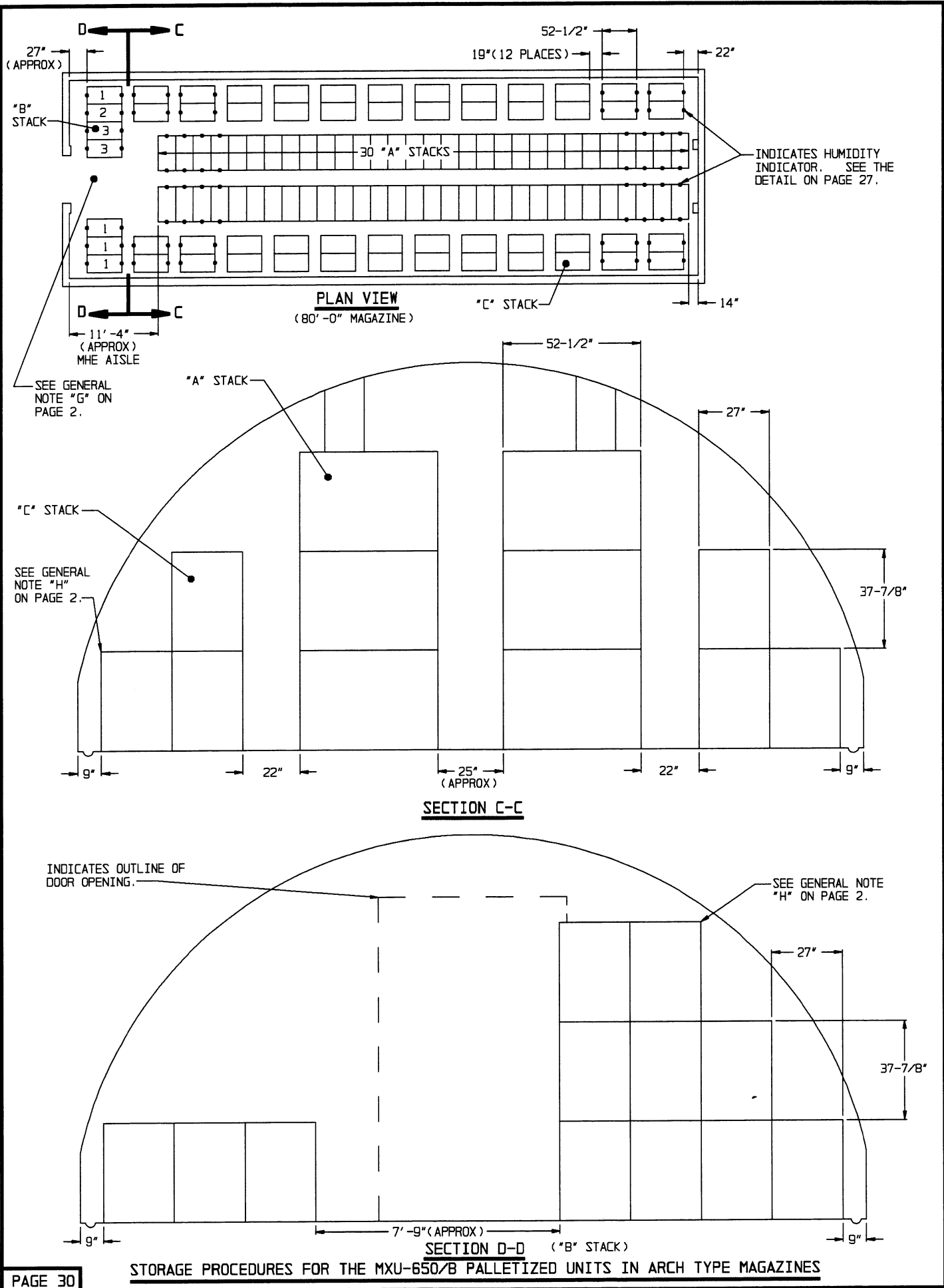
(60'-8" IGLOO)

SPECIAL NOTE:

THE STORAGE PROCEDURES SHOWN IN THE "PLAN VIEW" ON PAGE 28 ARE FOR AN 81'-0" LONG IGLOO. THE STORAGE PROCEDURES SHOWN IN THE "ISOMETRIC VIEW" ON THIS PAGE ARE FOR A 60'-8" LONG IGLOO. FOR STORAGE IN A 40'-4" LONG IGLOO AND/OR AN 81'-2" LONG ARCH TYPE MAGAZINE, SEE THE "MAGAZINE STORAGE CHART" ON THIS PAGE.

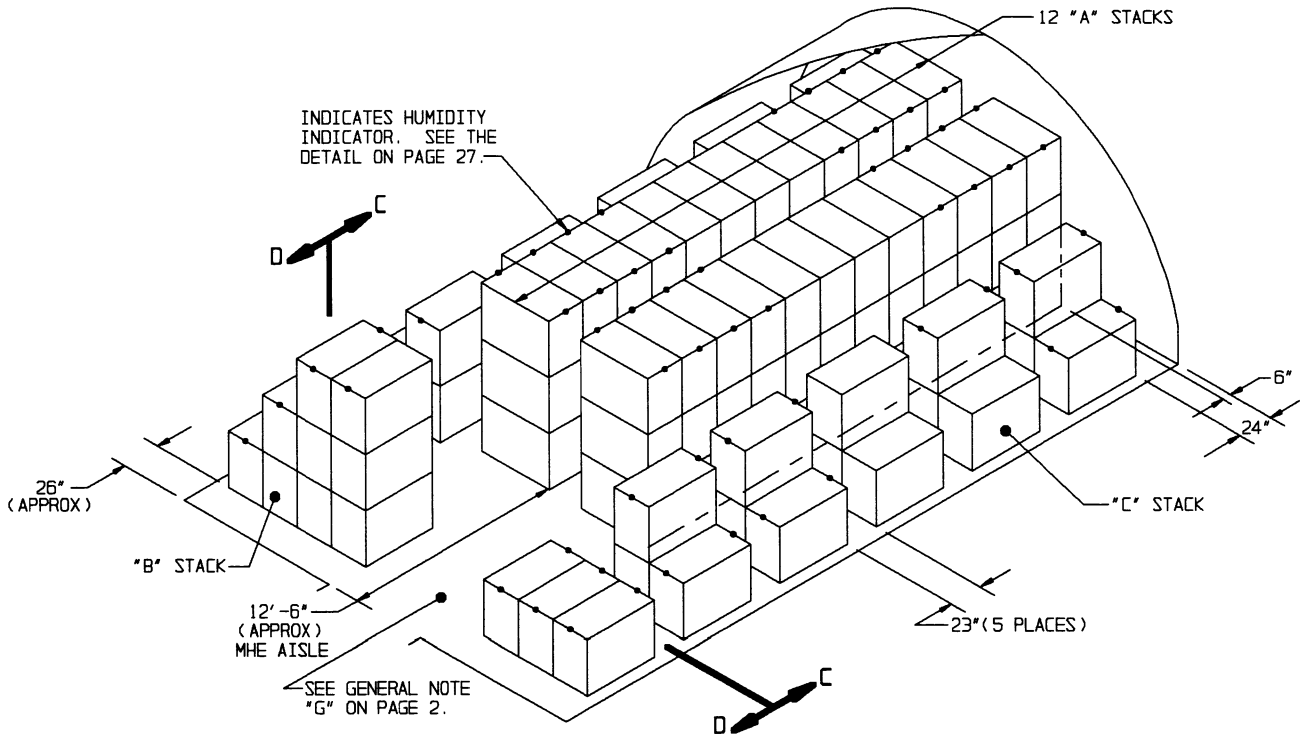


SECTION VIEW FOR 81'-2" ARCH TYPE MAGAZINE

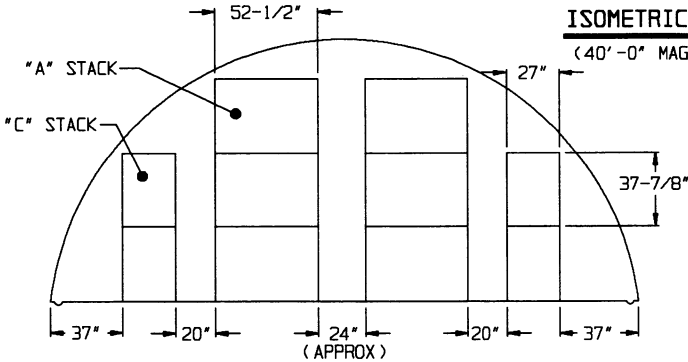


MAGAZINE STORAGE FOR MXU-650/B PALLETIZED UNITS

MAG LENGTH	MAG WIDTH	MAG HEIGHT	UNITS PER "A" STACK	"A" STACK PER MAG	UNITS PER "B" STACK	"B" STACK PER MAG	UNITS PER "C" STACK	"C" STACK PER MAG	UNITS PER MAG	CNTRS PER MAG
80'-0"	25'-0"	12'-1-3/4"	6	30	12	1	36	2	264	528
40'-0"	25'-0"	12'-1-3/4"	6	12	12	1	15	2	114	228
80'-0"	25'-0"	11'-0"	6	30	11	1	24	2	239	478
40'-0"	25'-0"	11'-0"	6	12	11	1	10	2	103	206
80'-0"	25'-0"	10'-0"	4	30	8	1	60	1	188	376
40'-0"	25'-0"	10'-0"	4	12	8	1	25	1	81	162

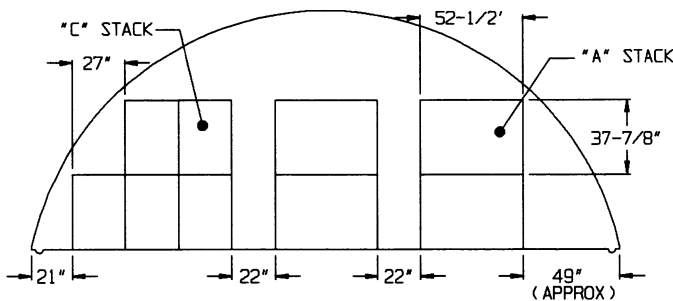


ISOMETRIC VIEW
(40'-0" MAGAZINE)



SECTION VIEW OF AN 11'-0" HIGH MAGAZINE

SEE SPECIAL NOTE 1 ON THIS PAGE.

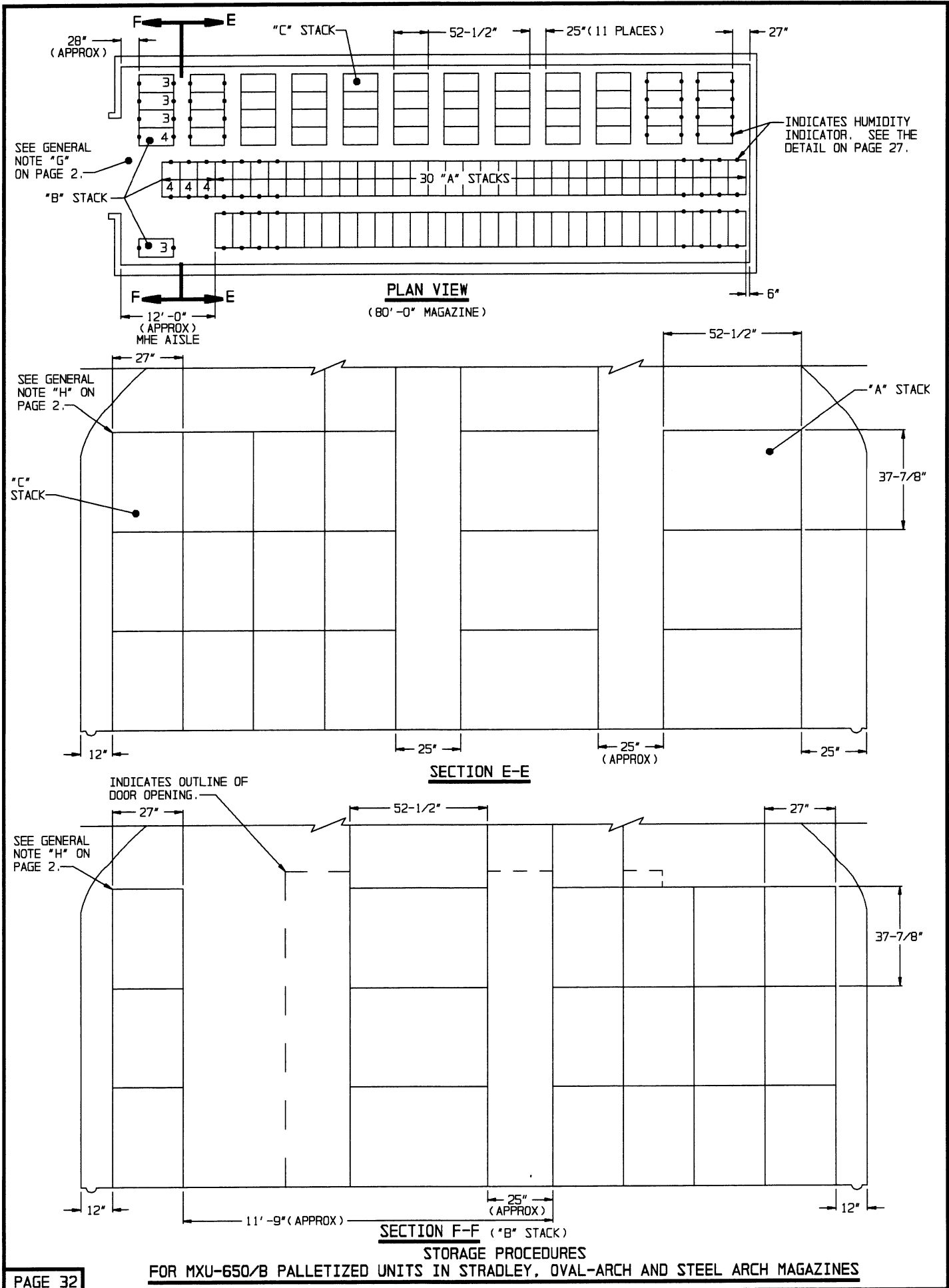


SECTION VIEW OF A 10'-0" HIGH MAGAZINE

SEE SPECIAL NOTE 1 ON THIS PAGE.

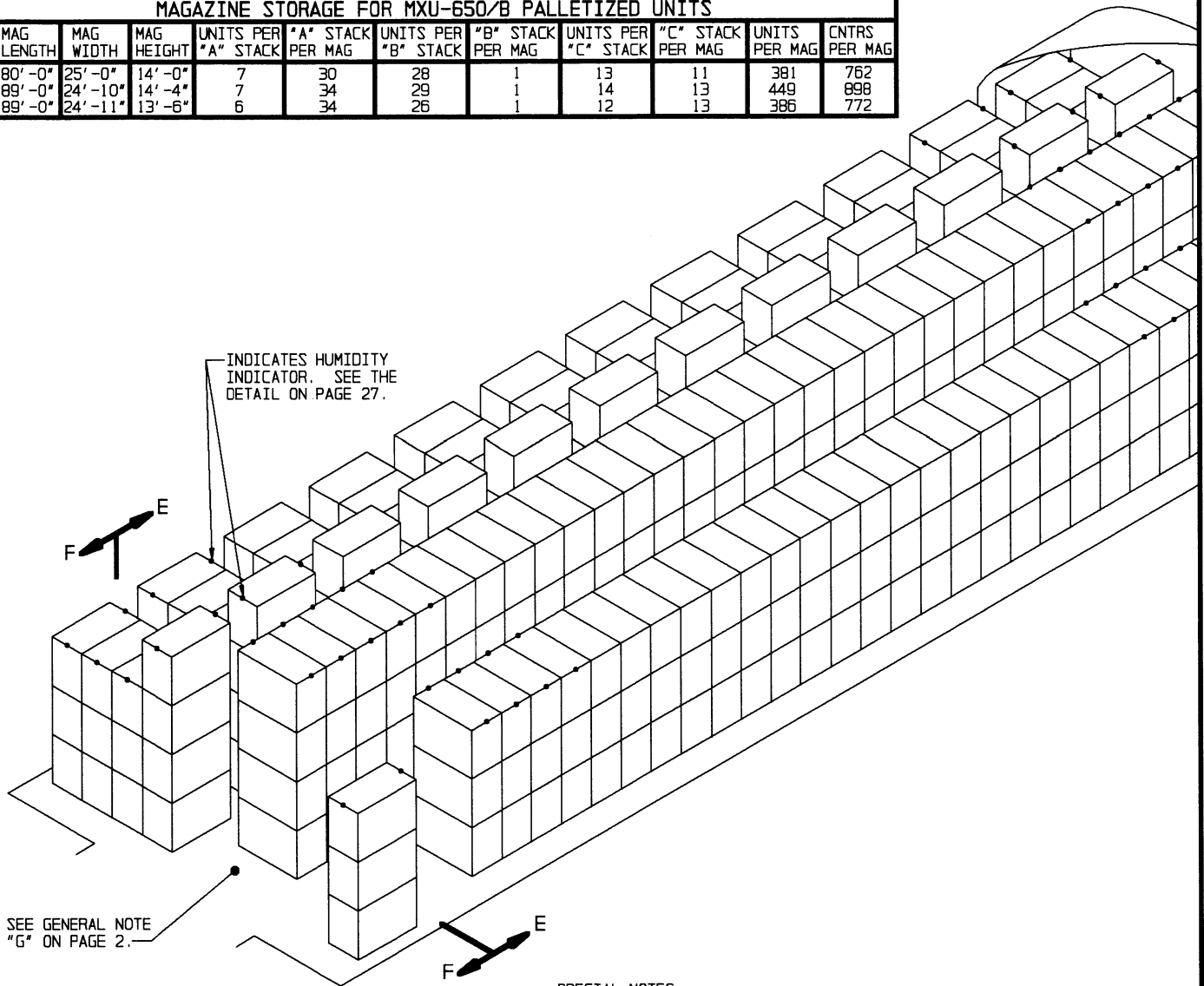
SPECIAL NOTES:

1. THE STORAGE PROCEDURES SHOWN IN THE "PLAN VIEW" ON PAGE 30 ARE FOR AN 80'-0" LONG BY 25'-0" WIDE BY 12'-1-3/4" HIGH ARCH TYPE MAGAZINE. THE STORAGE PROCEDURES SHOWN IN THE "ISOMETRIC VIEW" ON THIS PAGE ARE FOR A 40'-0" LONG BY 25'-0" WIDE BY 12'-1-3/4" HIGH ARCH TYPE MAGAZINE. FOR STORAGE IN 80'-0" LONG BY 25'-0" WIDE BY 11'-0" HIGH AND/OR A 40'-0" LONG BY 25'-0" WIDE BY 11'-0" HIGH ARCH TYPE MAGAZINE, SEE THE "MAGAZINE STORAGE CHART" AND THE "SECTION VIEW OF AN 11'-0" HIGH MAGAZINE" ON THIS PAGE. FOR STORAGE IN AN 80'-0" LONG BY 25'-0" WIDE BY 10'-0" HIGH AND/OR A 40'-0" LONG BY 25'-0" WIDE BY 10'-0" HIGH ARCH TYPE MAGAZINE, SEE THE "MAGAZINE STORAGE CHART" AND THE "SECTION VIEW OF A 10'-0" HIGH MAGAZINE" ON THIS PAGE.
2. AN INSPECTION AISLE IS SHOWN AT EACH END OF THE PALLETIZED UNIT WHERE THE HUMIDITY INDICATOR IS LOCATED. HOWEVER, AISLE DIMENSIONS MAY BE ADJUSTED. SEE GENERAL NOTE "F" ON PAGE 2 AND DETAIL OF THE MXU-650/B PALLETIZED UNIT ON PAGE 27.
3. FOR STORAGE IN AN 81'-2" LONG BY 26'-6" WIDE BY 12'-1-3/4" HIGH ARCH TYPE MAGAZINE, SEE THE PROCEDURES SHOWN ON PAGES 28 AND 29.



MAGAZINE STORAGE FOR MXU-650/B PALLETIZED UNITS

MAG LENGTH	MAG WIDTH	MAG HEIGHT	UNITS PER "A" STACK	"A" STACK PER MAG	UNITS PER "B" STACK	"B" STACK PER MAG	UNITS PER "C" STACK	"C" STACK PER MAG	UNITS PER MAG	CNTRS PER MAG
80'-0"	25'-0"	14'-0"	7	30	28	1	13	11	381	762
89'-0"	24'-10"	14'-4"	7	34	29	1	14	13	449	898
89'-0"	24'-11"	13'-6"	6	34	26	1	12	13	386	772

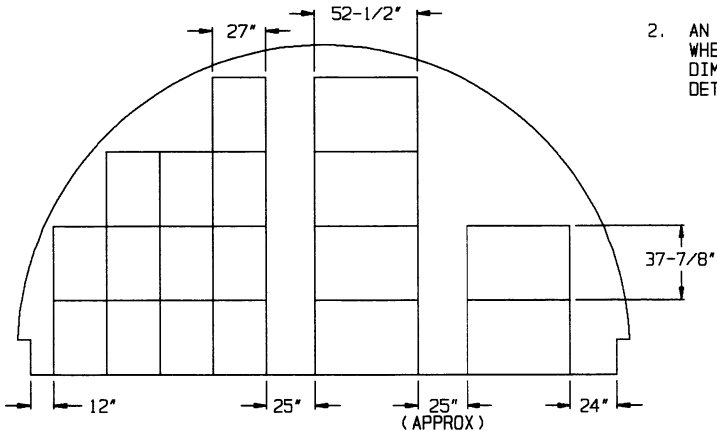


SEE GENERAL NOTE "G" ON PAGE 2.

ISOMETRIC VIEW
(STRADLEY MAGAZINE)

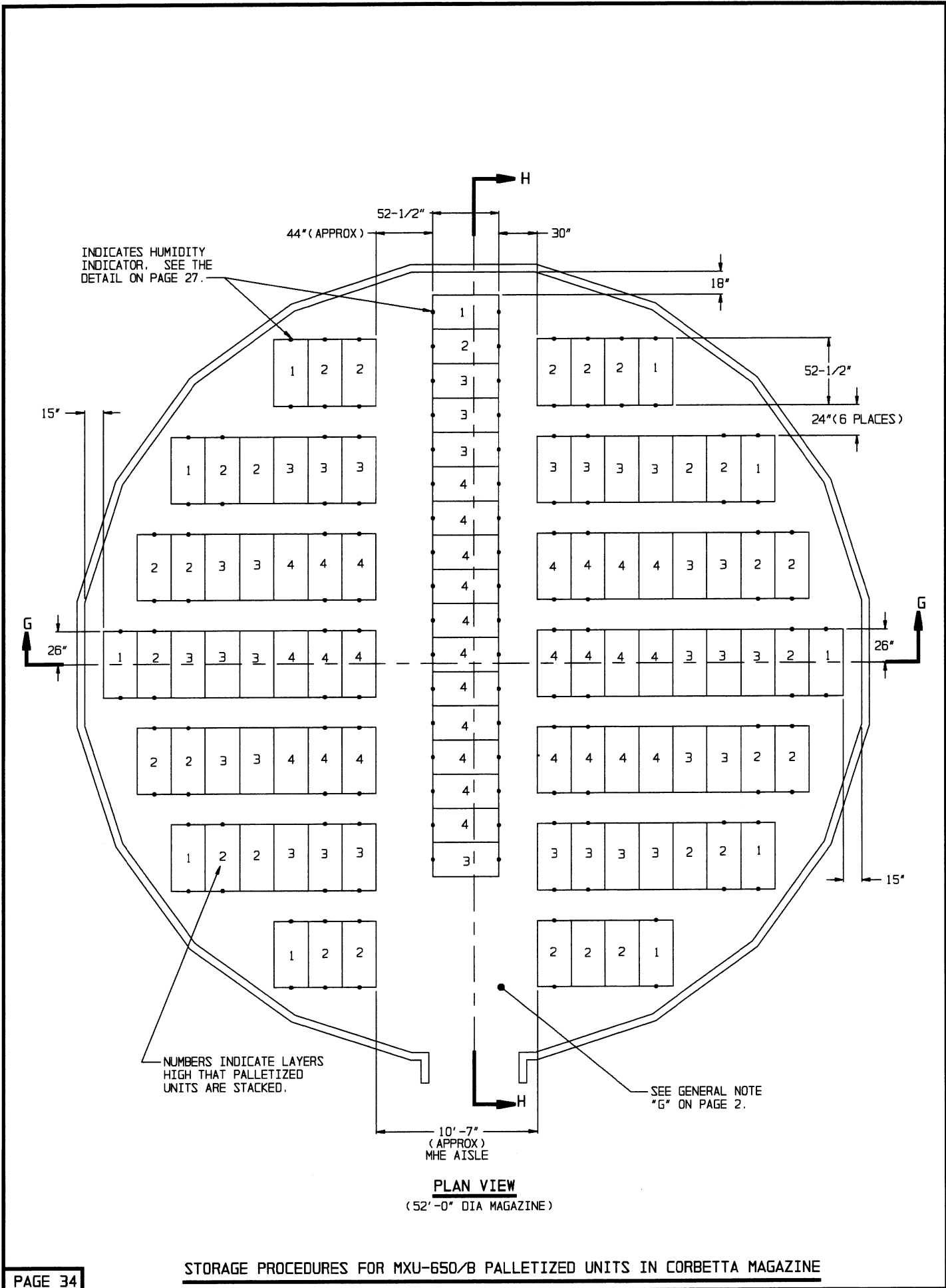
SPECIAL NOTES:

1. THE STORAGE PROCEDURES SHOWN IN THE "PLAN VIEW" ON PAGE 32 AND THE "ISOMETRIC VIEW" ON THIS PAGE ARE FOR THE STRADLEY MAGAZINE. FOR STORAGE IN OVAL ARCH AND STEEL ARCH MAGAZINES, SEE THE "MAGAZINE STORAGE CHART" AND THE "SECTION VIEW" OF A 13'-6" HIGH STEEL ARCH MAGAZINE ON THIS PAGE.
2. AN INSPECTION AISLE IS SHOWN AT EACH END OF THE PALLETIZED UNIT WHERE THE HUMIDITY INDICATOR IS LOCATED. HOWEVER, AISLE DIMENSIONS MAY BE ADJUSTED. SEE GENERAL NOTE "F" ON PAGE 2 AND DETAIL OF THE MXU-650/B PALLETIZED UNIT ON PAGE 27.



SECTION VIEW OF A 13'-6" HIGH STEEL ARCH MAGAZINE

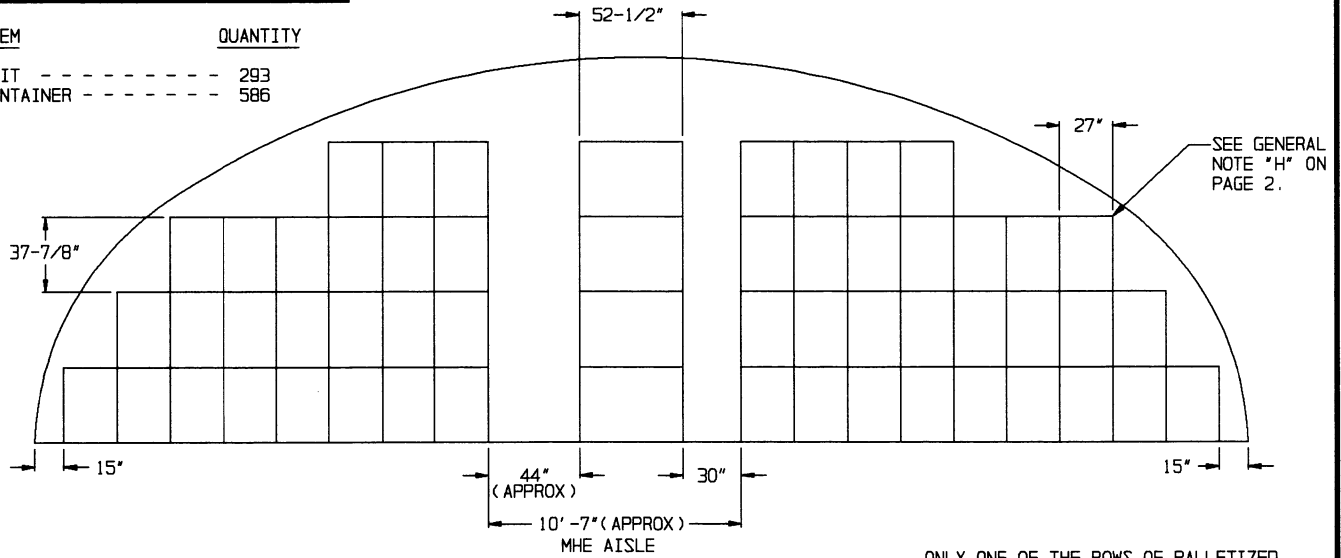
SEE SPECIAL NOTE 1 ON THIS PAGE.



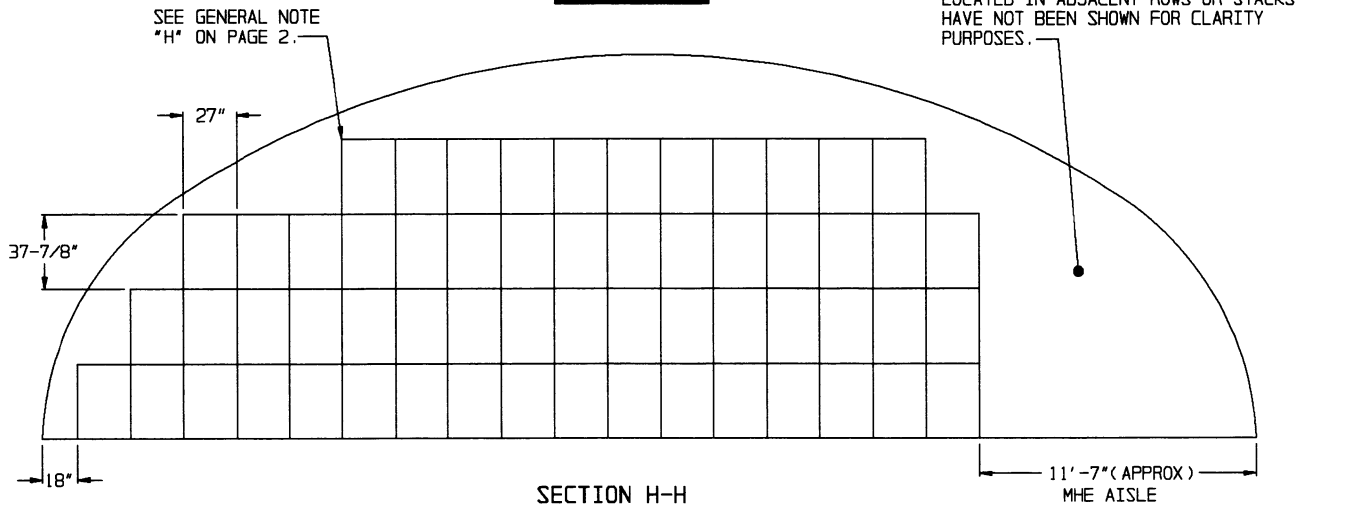
MAGAZINE STORAGE FOR MXU-650/B PALLETIZED UNITS

STORAGE IN 52'-0" DIA MAGAZINE

ITEM	QUANTITY
UNIT - - - - -	293
CONTAINER - - - - -	586



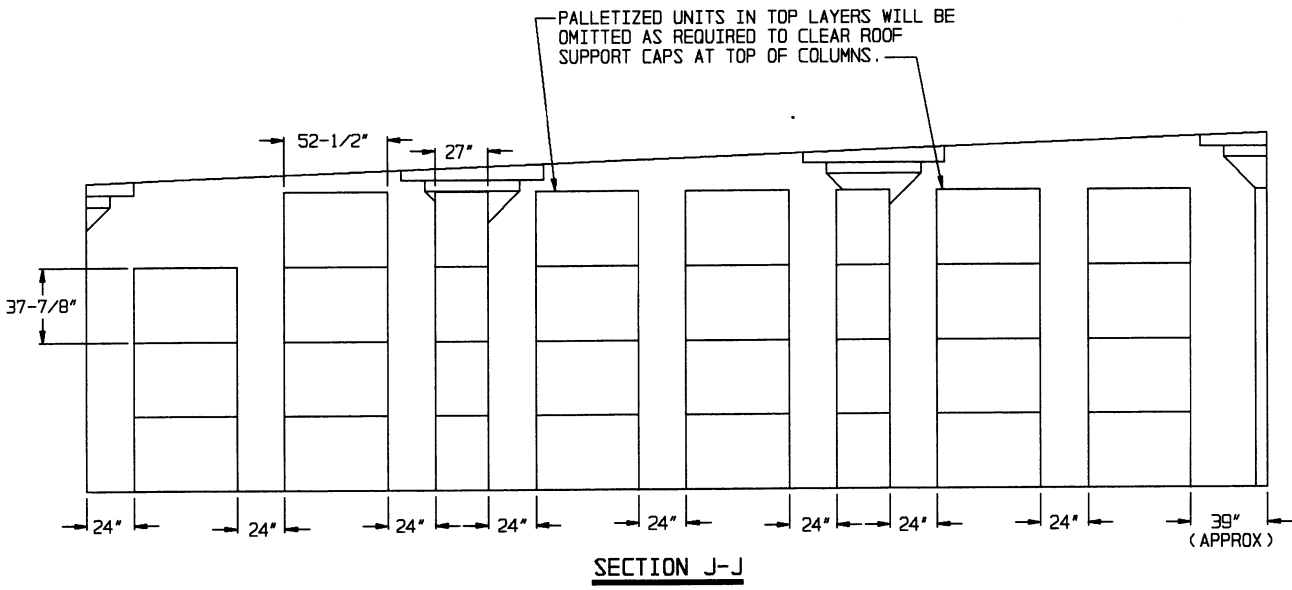
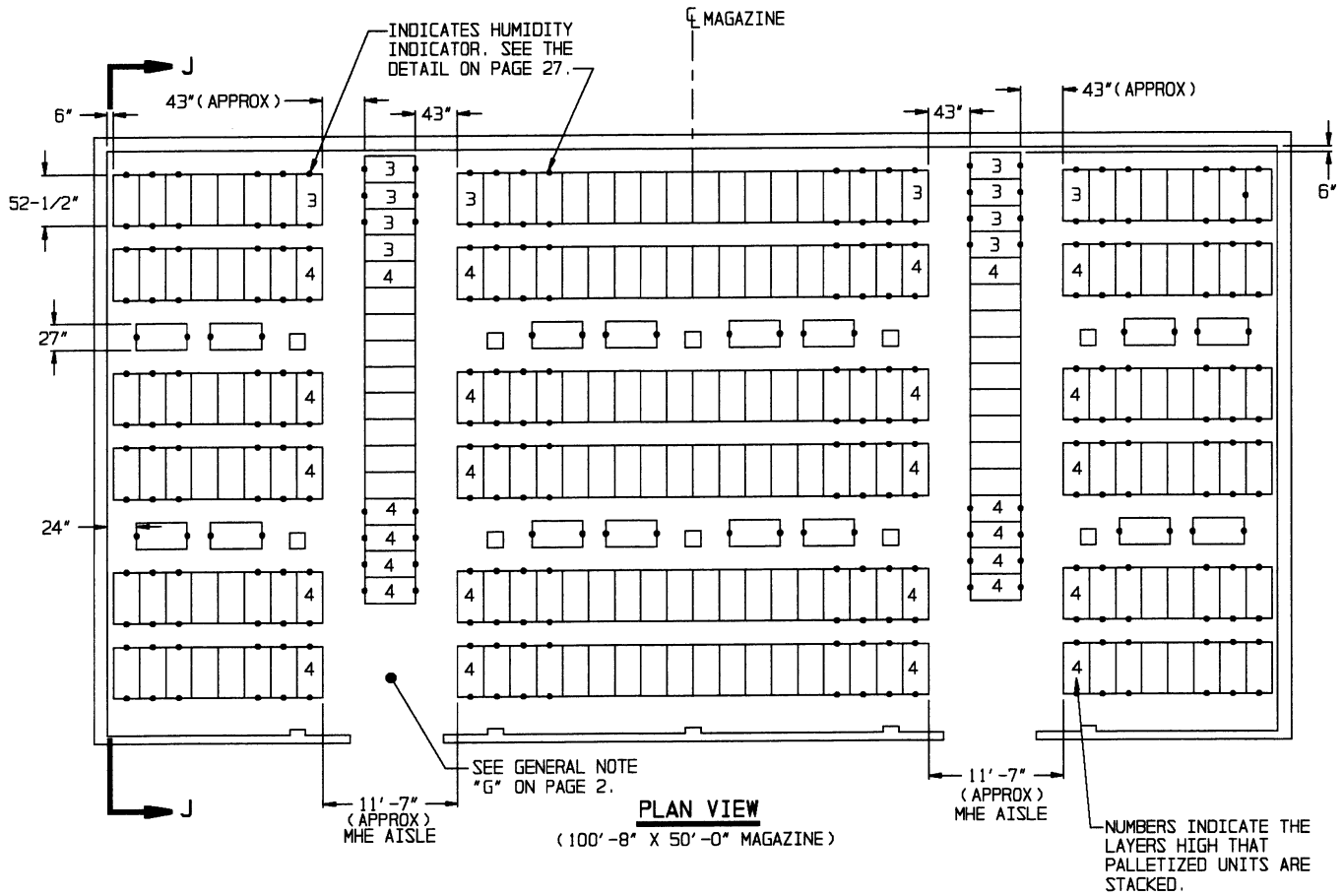
SECTION G-G



SECTION H-H

SPECIAL NOTES:

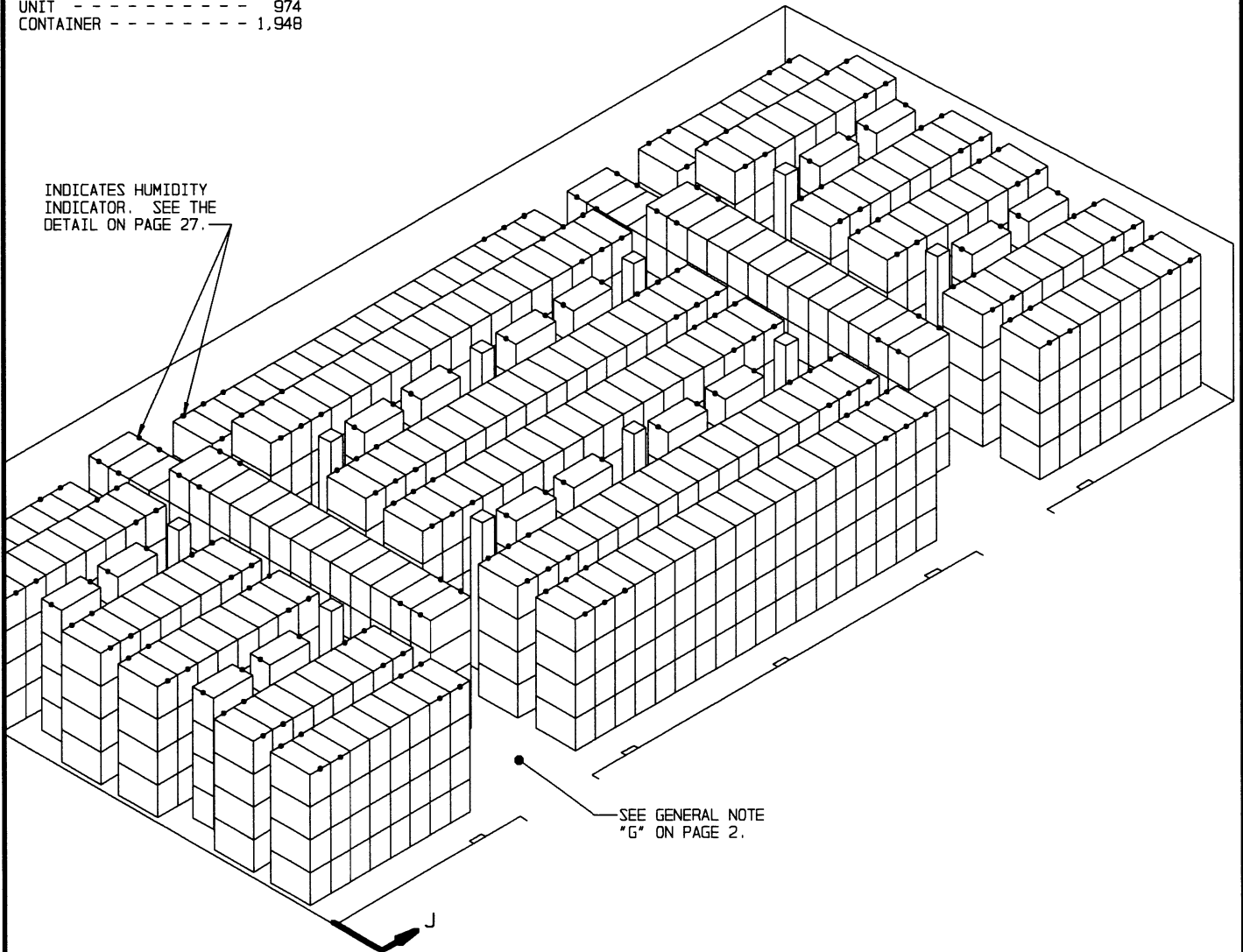
1. THE STORAGE PROCEDURES SHOWN IN THE "PLAN VIEW" ON PAGE 34 AND THE SECTIONS ON THIS PAGE ARE FOR A 52'-0" DIAMETER CORBETTA MAGAZINE.
2. AN INSPECTION AISLE IS SHOWN AT EACH END OF THE PALLETIZED UNITS WHERE THE HUMIDITY INDICATOR IS LOCATED. HOWEVER, AISLE DIMENSIONS MAY BE ADJUSTED. SEE GENERAL NOTE "F" ON PAGE 2 AND DETAIL OF THE MXU-650/B PALLETIZED UNIT ON PAGE 27.



**MAGAZINE STORAGE FOR MXU-650/B PALLETIZED UNITS
IN A 100'-8" L X 50'-0" W MAGAZINE**

ITEM	QUANTITY
UNIT - - - - -	974
CONTAINER - - - - -	1,948

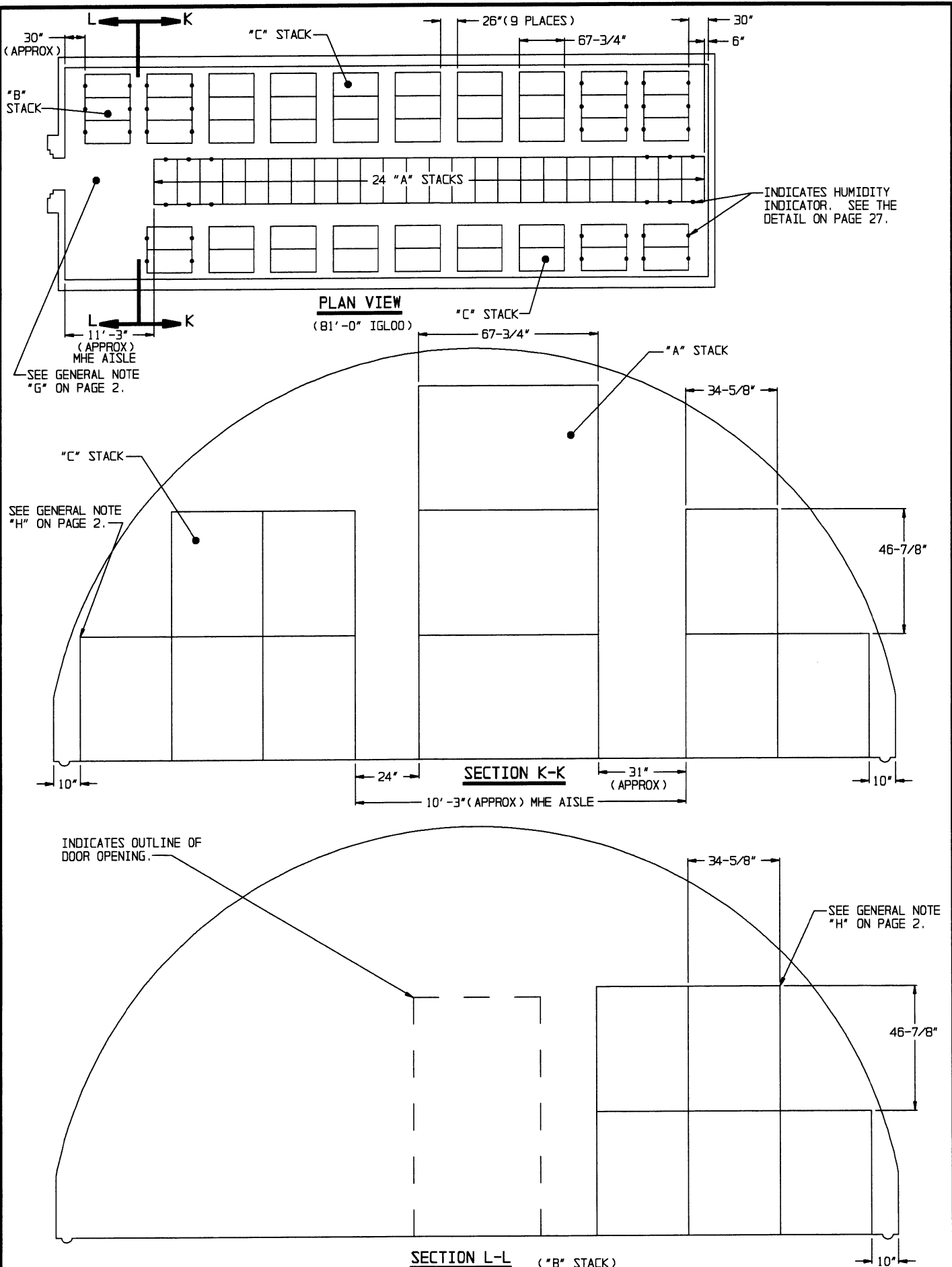
INDICATES HUMIDITY
INDICATOR. SEE THE
DETAIL ON PAGE 27.



ISOMETRIC VIEW
(RECTANGULAR MAGAZINE)

SPECIAL NOTES:

1. THE STORAGE PROCEDURES SHOWN IN THE "PLAN VIEW" ON PAGE 36 AND THE "ISOMETRIC VIEW" ON THIS PAGE ARE FOR A 100'-8" LONG BY 50'-0" WIDE RECTANGULAR MAGAZINE.
2. AN INSPECTION AISLE IS SHOWN AT EACH END OF THE PALLETIZED UNIT WHERE THE HUMIDITY INDICATOR IS LOCATED. HOWEVER, AISLE DIMENSIONS MAY BE ADJUSTED. SEE GENERAL NOTE "F" ON PAGE 2 AND DETAIL OF THE UNIT ON PAGE 27.

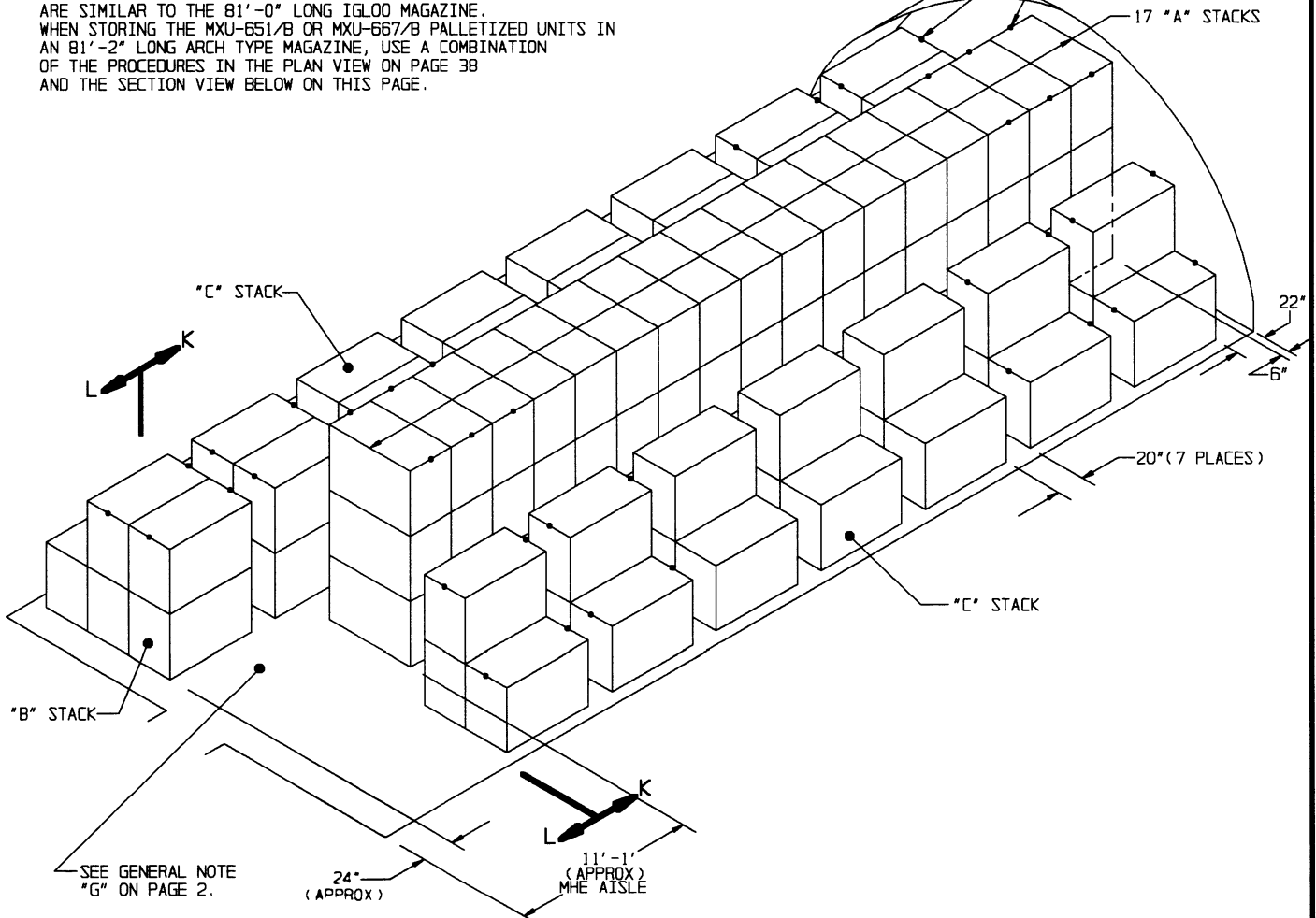


MAGAZINE STORAGE FOR MXU-651/B AND MXU-667/B PALLETIZED UNITS

MAG LENGTH	MAG WIDTH	MAG HEIGHT	UNITS PER "A" STACK	"A" STACKS PER MAG	UNITS PER "B" STACK	"B" STACKS PER MAG	UNITS PER "C" STACK	"C" STACKS PER MAG	UNITS PER MAG	CNTRS PER MAG
81'-0"	26'-6"	12'-9"	3	24	5	1	8	9	149	298
60'-8"	26'-6"	12'-9"	3	17	5	1	8	7	112	224
40'-4"	26'-6"	12'-9"	3	10	5	1	8	4	67	134
* 81'-2"	26'-6"	12'-1 3/4"	4	24	5	1	3	9	128	256

* THE 81'-2" X 26'-6" X 12'-1 3/4" HIGH MAGAZINE IS AN ARCH TYPE MAGAZINE. THE INSIDE DIMENSIONS ARE SIMILAR TO THE 81'-0" LONG IGLOO MAGAZINE. WHEN STORING THE MXU-651/B OR MXU-667/B PALLETIZED UNITS IN AN 81'-2" LONG ARCH TYPE MAGAZINE, USE A COMBINATION OF THE PROCEDURES IN THE PLAN VIEW ON PAGE 38 AND THE SECTION VIEW BELOW ON THIS PAGE.

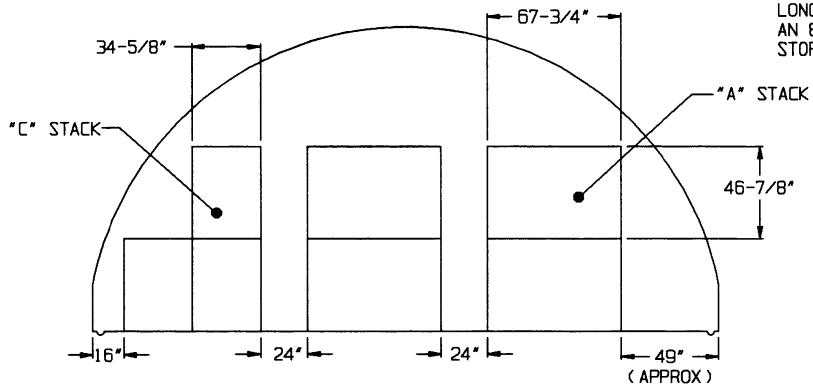
INDICATES HUMIDITY INDICATOR. SEE THE DETAIL ON PAGE 27.



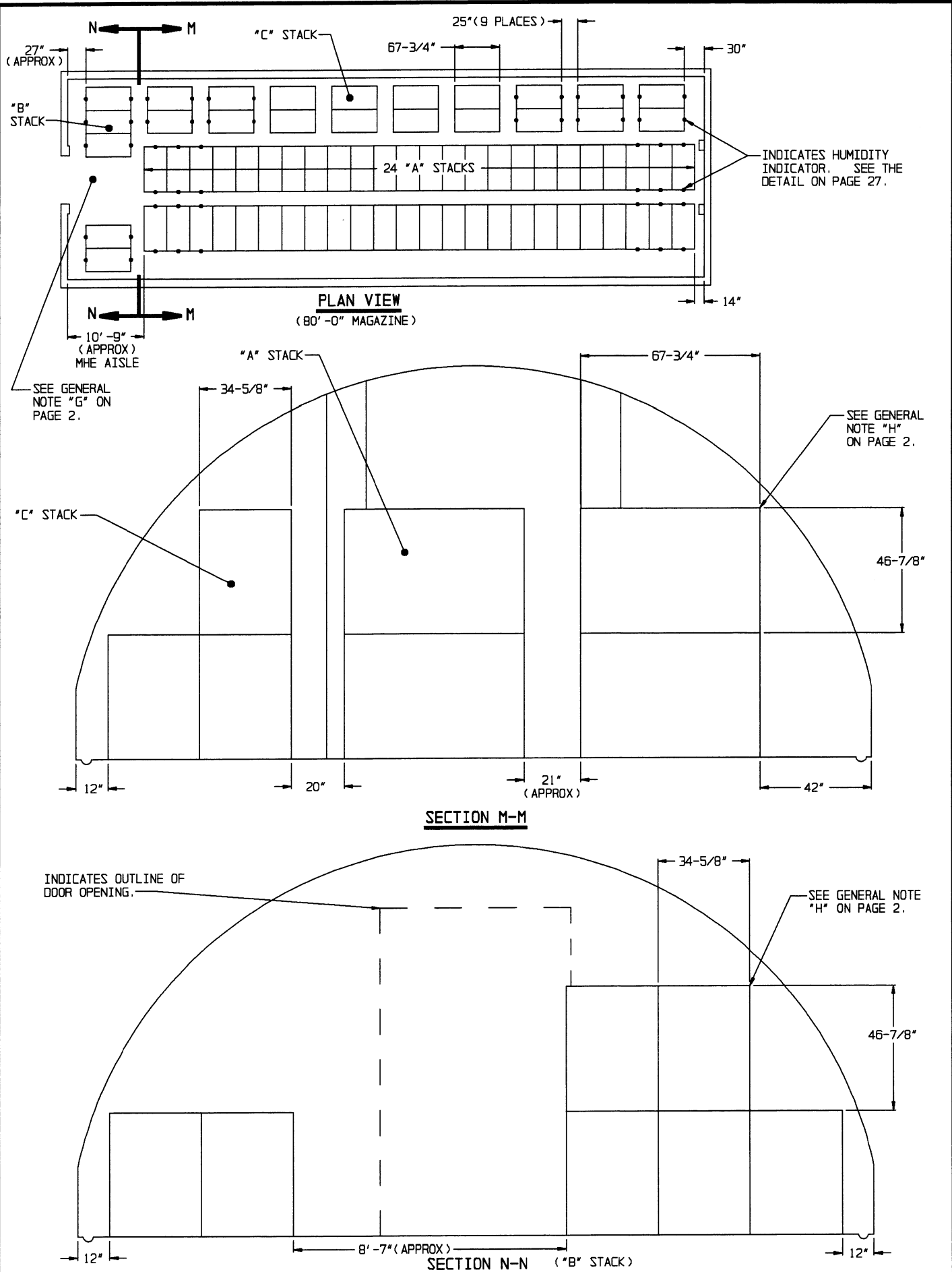
ISOMETRIC VIEW
(60'-8" IGLOO)

SPECIAL NOTE:

THE STORAGE PROCEDURES SHOWN IN THE "PLAN VIEW" ON PAGE 38 ARE FOR AN 81'-0" LONG IGLOO. THE STORAGE PROCEDURES SHOWN IN THE "ISOMETRIC VIEW" ON THIS PAGE ARE FOR A 60'-8" LONG IGLOO. FOR STORAGE IN A 40'-4" LONG IGLOO AND/OR AN 81'-2" LONG ARCH TYPE MAGAZINE, SEE THE "MAGAZINE STORAGE CHART" ON THIS PAGE.

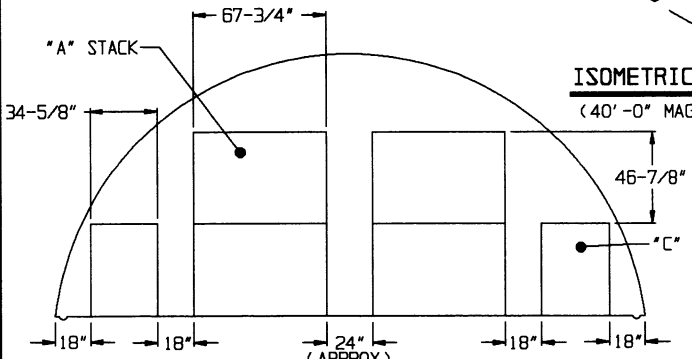
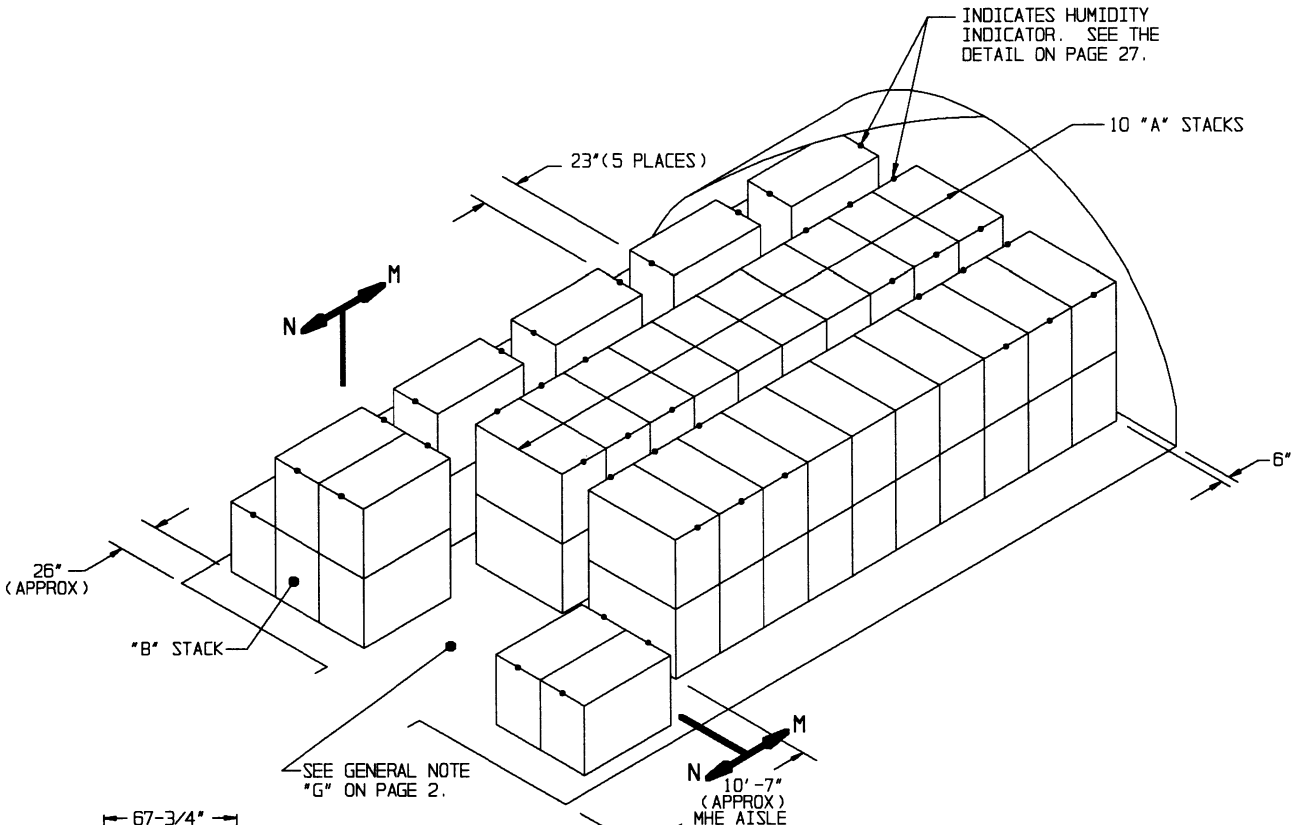


SECTION VIEW FOR 81'-2" ARCH TYPE MAGAZINE



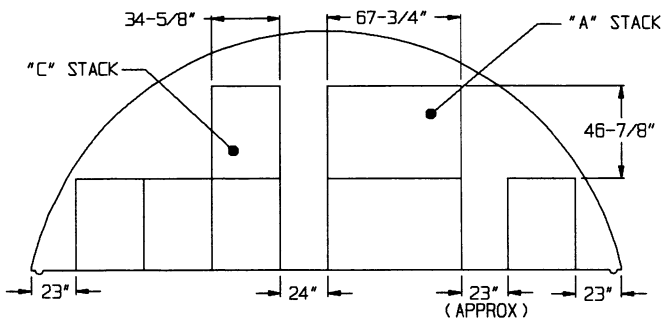
MAGAZINE STORAGE FOR MXU-651/B AND MXU-667/B PALLETIZED UNITS

MAG LENGTH	MAG WIDTH	MAG HEIGHT	UNITS PER "A" STACK	"A" STACK PER MAG	UNITS PER "B" STACK	"B" STACK PER MAG	UNITS PER "C" STACK	"C" STACK PER MAG	UNITS PER MAG	CNTRS PER MAG
80'-0"	25'-0"	12'-1-3/4"	4	24	7	1	3	9	130	260
40'-0"	25'-0"	12'-1-3/4"	4	10	7	1	3	4	59	118
80'-0"	25'-0"	11'-0"	4	24	5	1	2	9	119	238
40'-0"	25'-0"	11'-0"	4	10	5	1	2	4	53	106
80'-0"	25'-0"	10'-0"	2	24	5	1	5	9	98	196
40'-0"	25'-0"	10'-0"	2	10	5	1	5	4	45	90



SECTION VIEW OF AN 11'-0" HIGH MAGAZINE

SEE SPECIAL NOTE 1 ON THIS PAGE.

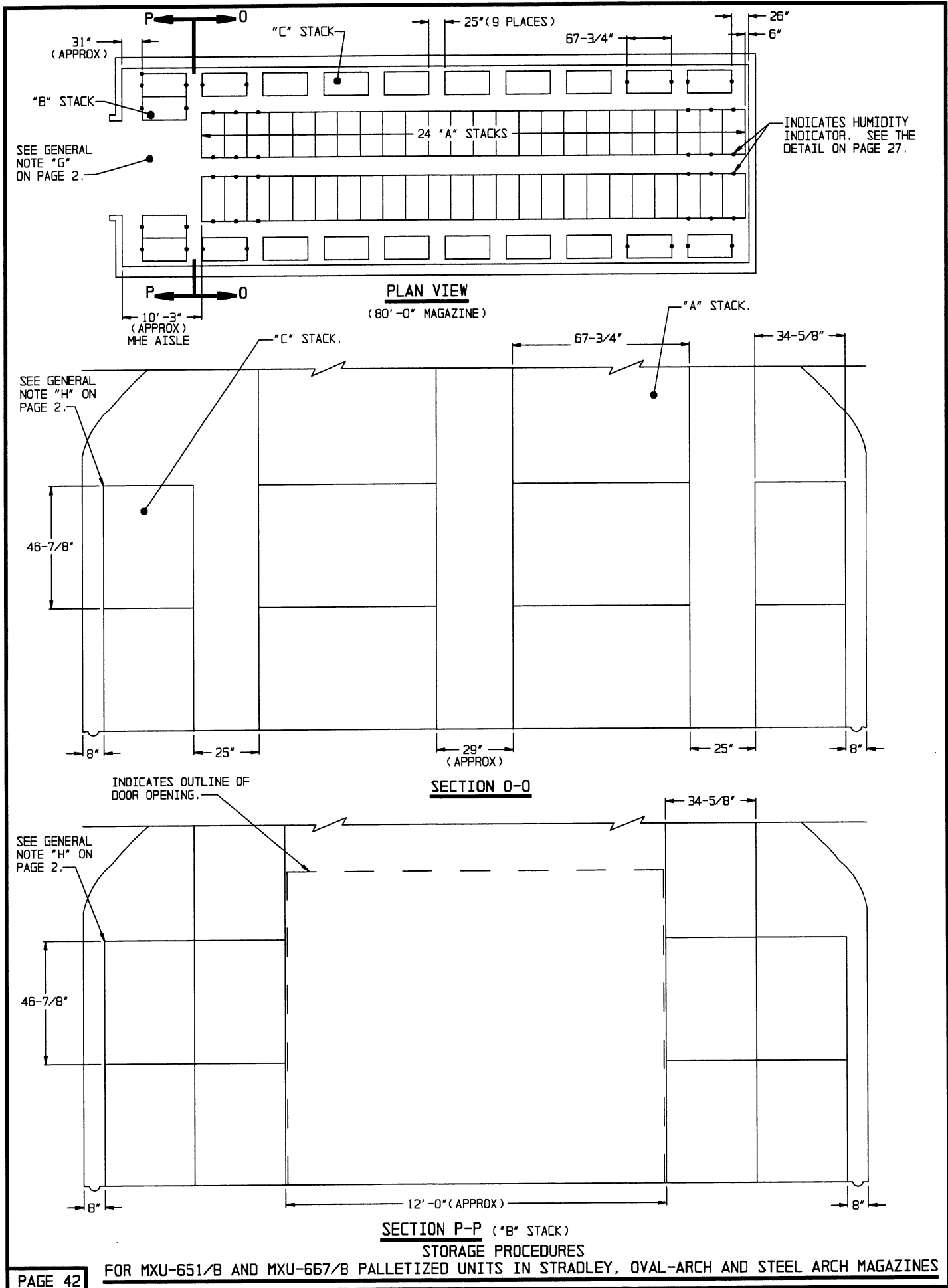


SECTION VIEW OF A 10'-0" HIGH MAGAZINE

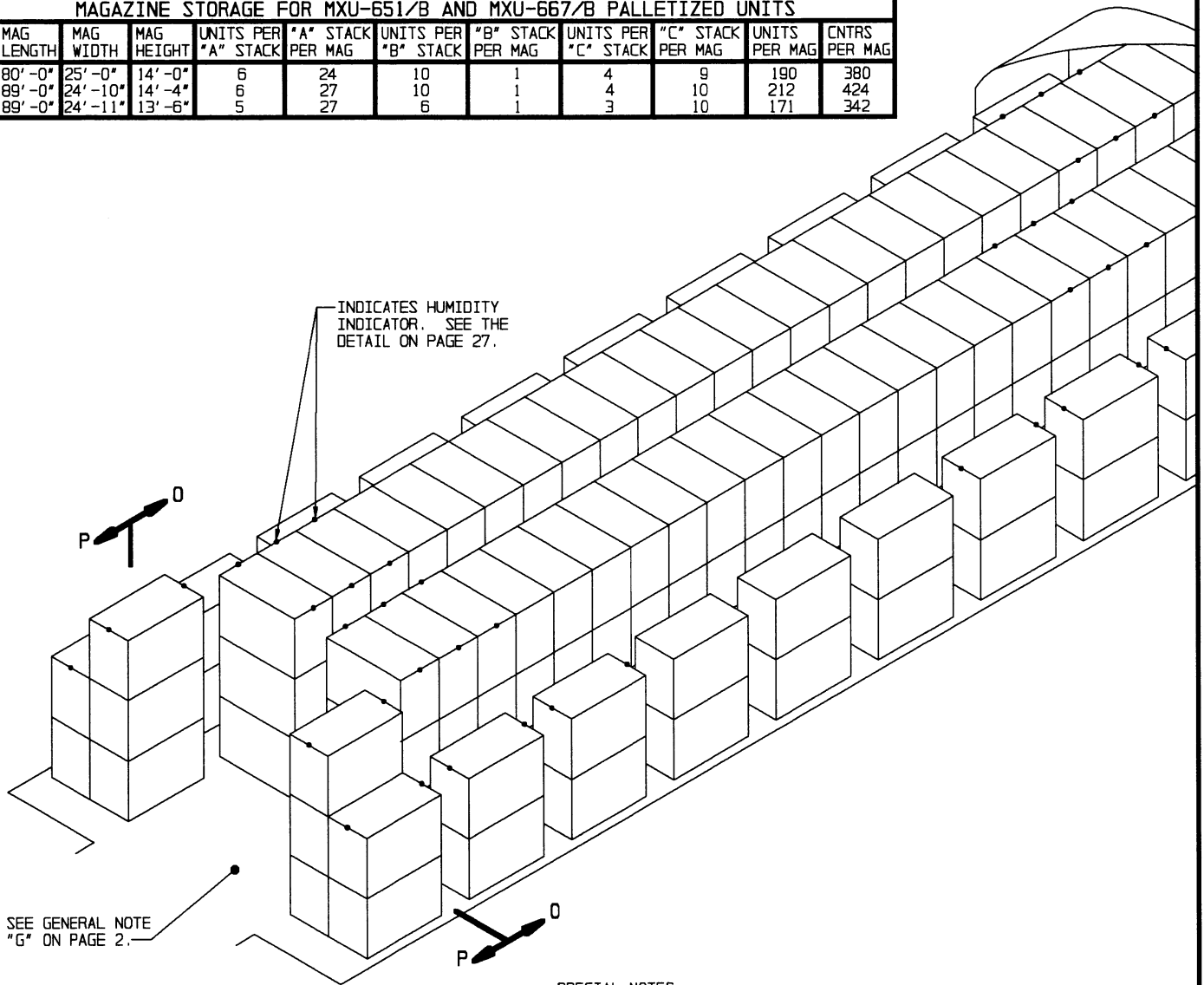
SEE SPECIAL NOTE 1 ON THIS PAGE.

SPECIAL NOTES:

1. THE STORAGE PROCEDURES SHOWN IN THE "PLAN VIEW" ON PAGE 40 ARE FOR AN 80'-0" LONG BY 25'-0" WIDE BY 12'-1-3/4" HIGH ARCH TYPE MAGAZINE. THE STORAGE PROCEDURES SHOWN IN THE "ISOMETRIC VIEW" ON THIS PAGE ARE FOR A 40'-0" LONG BY 25'-0" WIDE BY 12'-1-3/4" HIGH ARCH TYPE MAGAZINE. FOR STORAGE IN 80'-0" LONG BY 25'-0" WIDE BY 11'-0" HIGH AND/OR A 40'-0" LONG BY 25'-0" WIDE BY 11'-0" HIGH ARCH TYPE MAGAZINE, SEE THE "MAGAZINE STORAGE CHART" AND THE "SECTION VIEW OF AN 11'-0" HIGH MAGAZINE" ON THIS PAGE. FOR STORAGE IN AN 80'-0" LONG BY 25'-0" WIDE BY 10'-0" HIGH AND/OR A 40'-0" LONG BY 25'-0" WIDE BY 10'-0" HIGH ARCH TYPE MAGAZINE, SEE THE "MAGAZINE STORAGE CHART" AND THE "SECTION VIEW OF A 10'-0" HIGH MAGAZINE" ON THIS PAGE.
2. AN INSPECTION AISLE IS SHOWN AT EACH END OF THE PALLETIZED UNIT WHERE THE HUMIDITY INDICATOR IS LOCATED. HOWEVER, AISLE DIMENSIONS MAY BE ADJUSTED. SEE GENERAL NOTE "F" ON PAGE 2 AND DETAIL OF THE MXU-651/B AND MXU-667/B PALLETIZED UNIT ON PAGE 27.
3. FOR STORAGE IN AN 81'-2" LONG BY 26'-6" WIDE BY 12'-1-3/4" HIGH ARCH MAGAZINE, SEE THE PROCEDURES SHOWN ON PAGES 38 AND "NOTE *" ON PAGE 39.



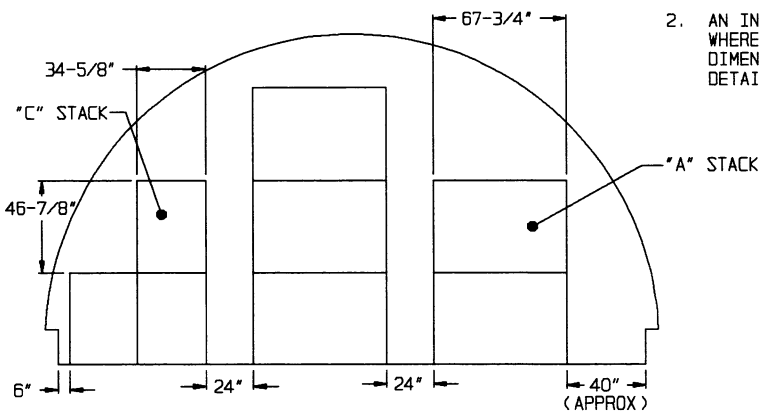
MAGAZINE STORAGE FOR MXU-651/B AND MXU-667/B PALLETIZED UNITS										
MAG LENGTH	MAG WIDTH	MAG HEIGHT	UNITS PER "A" STACK	"A" STACK PER MAG	UNITS PER "B" STACK	"B" STACK PER MAG	UNITS PER "C" STACK	"C" STACK PER MAG	UNITS PER MAG	CNTRS PER MAG
80'-0"	25'-0"	14'-0"	6	24	10	1	4	9	190	380
89'-0"	24'-10"	14'-4"	6	27	10	1	4	10	212	424
89'-0"	24'-11"	13'-6"	5	27	6	1	3	10	171	342



ISOMETRIC VIEW
(STRADLEY MAGAZINE)

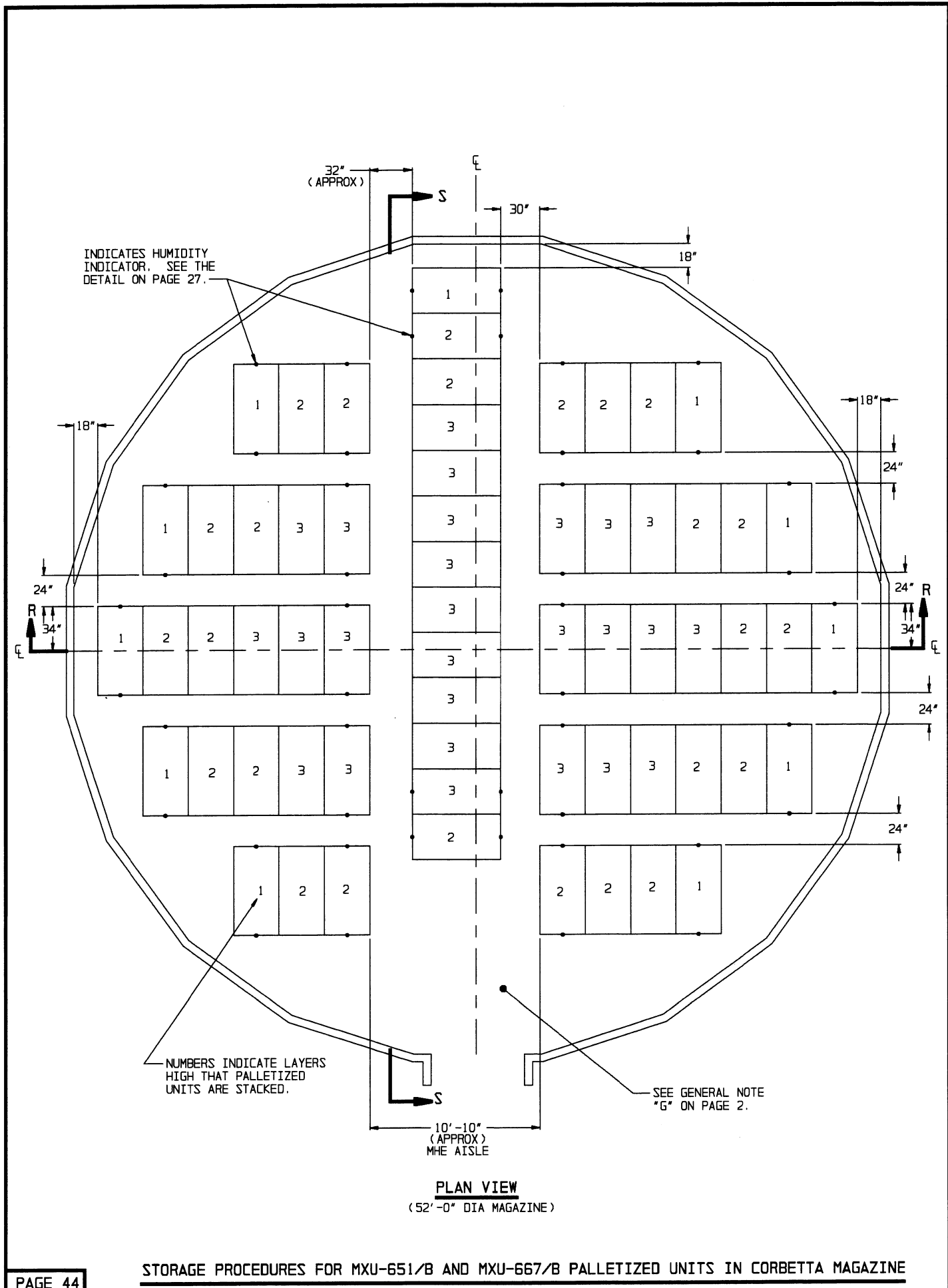
SPECIAL NOTES:

1. THE STORAGE PROCEDURES SHOWN IN THE "PLAN VIEW" ON PAGE 42 AND THE "ISOMETRIC VIEW" ON THIS PAGE ARE FOR THE STRADLEY MAGAZINE. FOR STORAGE IN OVAL ARCH AND STEEL ARCH MAGAZINES, SEE THE "MAGAZINE STORAGE CHART" AND THE "SECTION VIEW" OF A 13'-6" HIGH STEEL ARCH MAGAZINE ON THIS PAGE.
2. AN INSPECTION AISLE IS SHOWN AT EACH END OF THE PALLETIZED UNIT WHERE THE HUMIDITY INDICATOR IS LOCATED. HOWEVER, AISLE DIMENSIONS MAY BE ADJUSTED. SEE GENERAL NOTE "F" ON PAGE 2 AND DETAIL OF THE MXU-651/B AND MXU-667/B PALLETIZED UNIT ON PAGE 27.



SECTION VIEW OF A 13'-6" HIGH STEEL ARCH MAGAZINE

SEE SPECIAL NOTE 1 ON THIS PAGE.



INDICATES HUMIDITY INDICATOR. SEE THE DETAIL ON PAGE 27.

NUMBERS INDICATE LAYERS HIGH THAT PALLETIZED UNITS ARE STACKED.

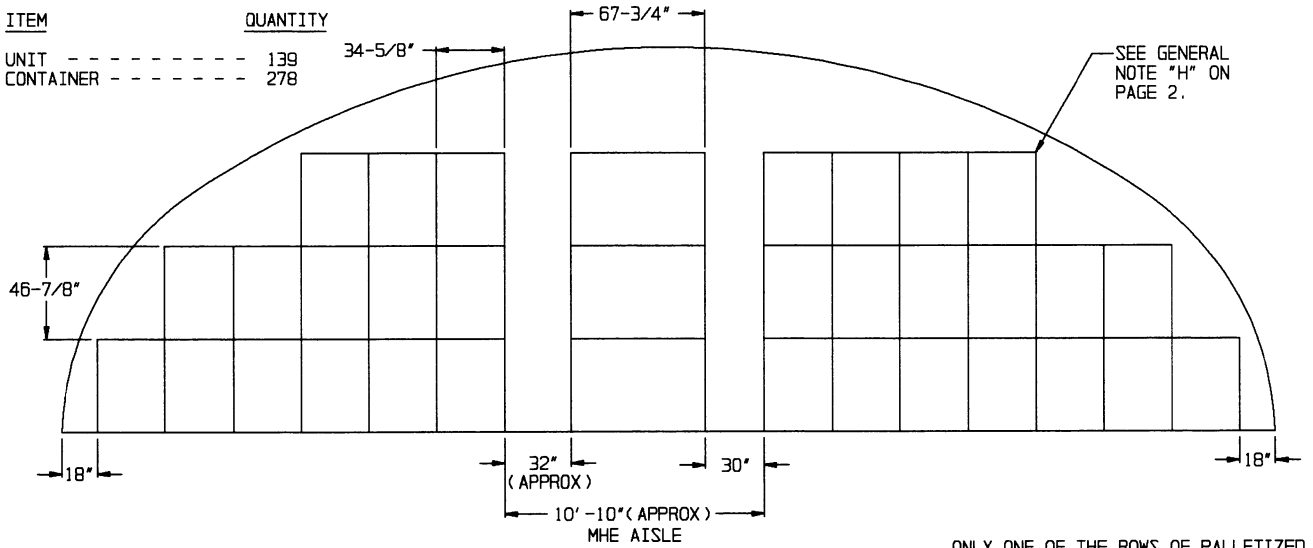
SEE GENERAL NOTE "G" ON PAGE 2.

PLAN VIEW
(52'-0" DIA MAGAZINE)

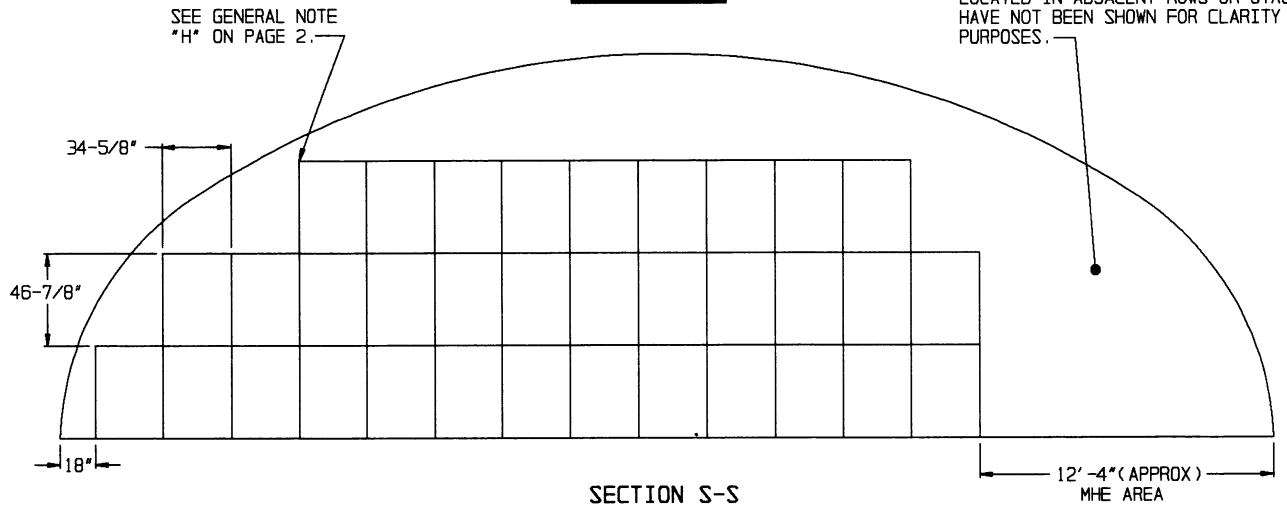
STORAGE PROCEDURES FOR MXU-651/B AND MXU-667/B PALLETIZED UNITS IN CORBETTA MAGAZINE

**MAGAZINE STORAGE FOR MXU-651/B AND MXU-667/B
 PALLETIZED UNITS IN 52'-0" DIA MAGAZINE**

ITEM	QUANTITY
UNIT - - - - -	139
CONTAINER - - - - -	278



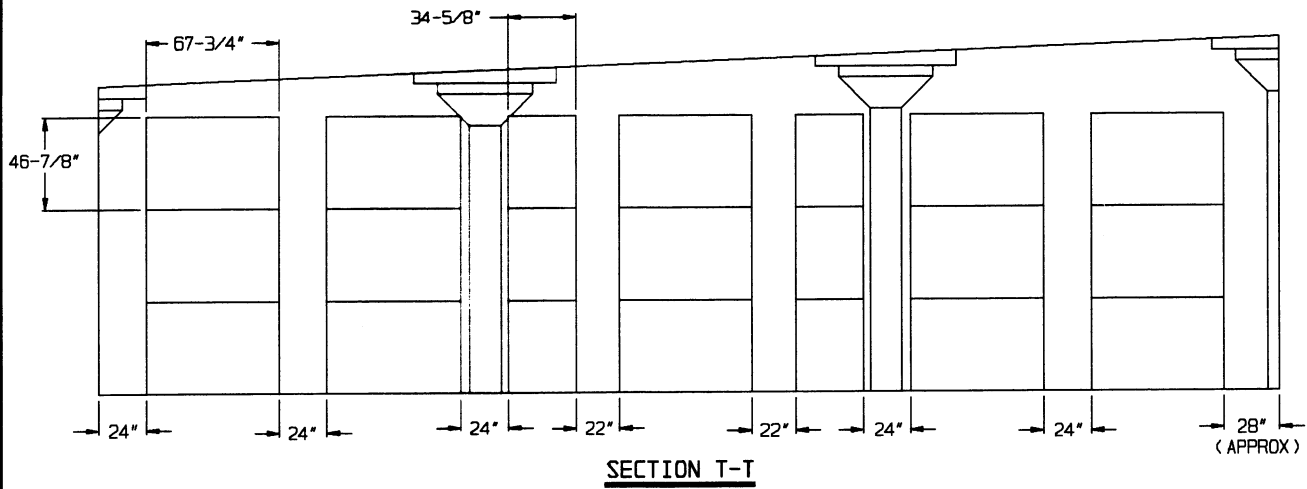
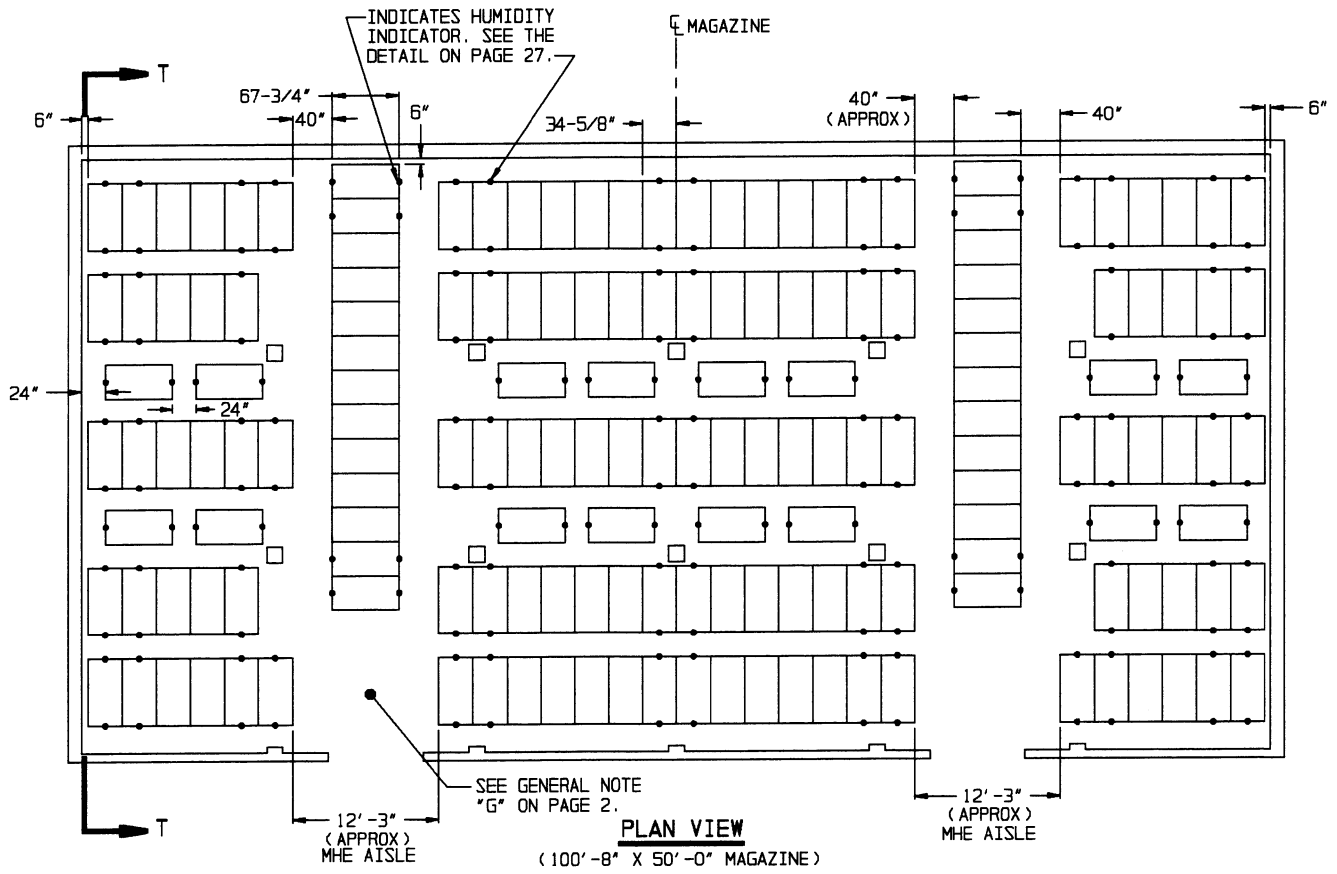
SECTION R-R



SECTION S-S

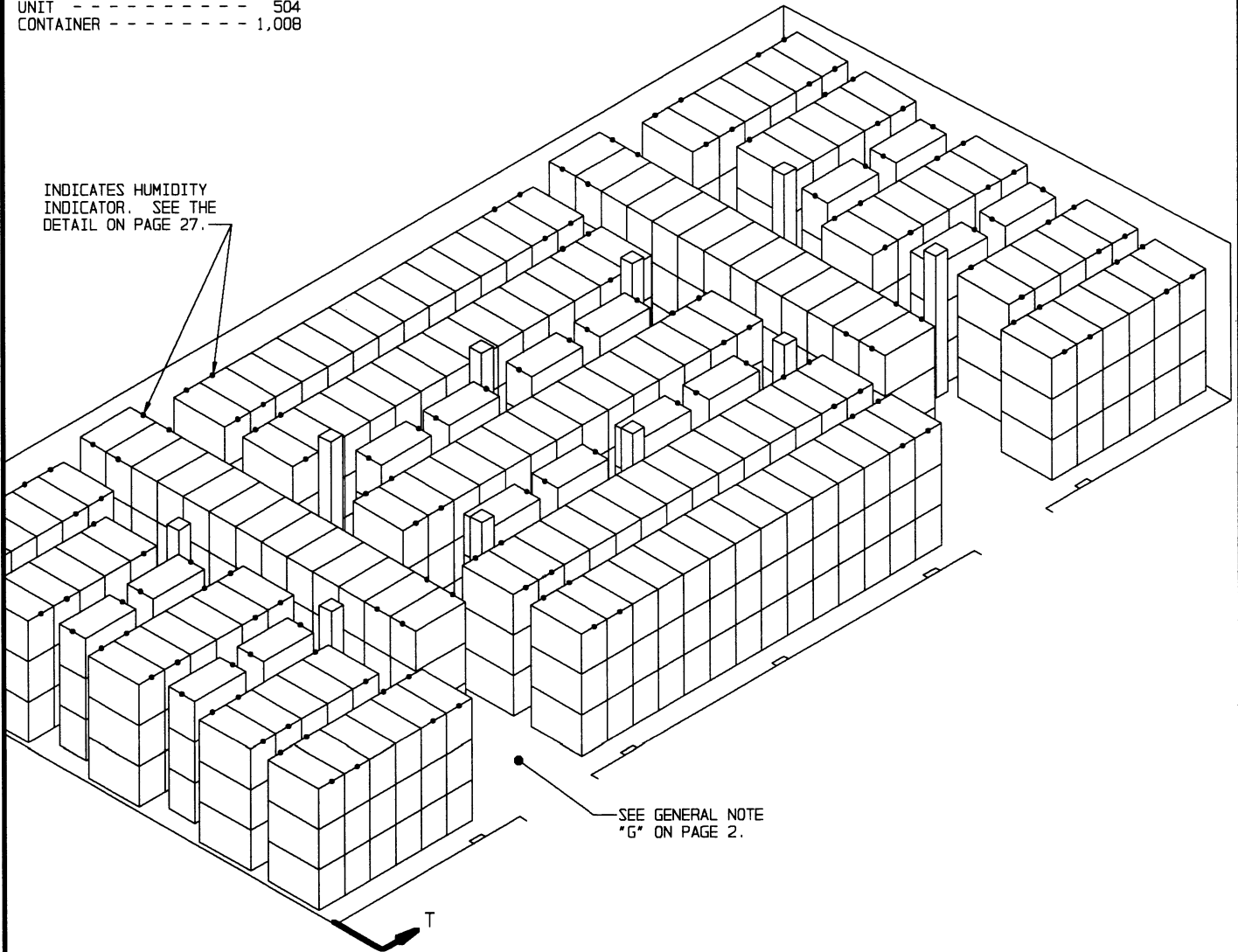
SPECIAL NOTES:

1. THE STORAGE PROCEDURES SHOWN IN THE "PLAN VIEW" ON PAGE 44 AND THE SECTIONS ON THIS PAGE ARE FOR A 52'-0" DIAMETER CORBETTA MAGAZINE.
2. AN INSPECTION AISLE IS SHOWN AT EACH END OF THE PALLETIZED UNITS WHERE THE HUMIDITY INDICATOR IS LOCATED. HOWEVER, AISLE DIMENSIONS MAY BE ADJUSTED. SEE GENERAL NOTE "F" ON PAGE 2 AND DETAIL OF THE MXU-651/B AND MXU-667/B PALLETIZED UNITS ON PAGE 27.



**MAGAZINE STORAGE FOR MXU-651/B AND MXU-667/B PALLETIZED UNITS
IN A 100'-8" L X 50'-0" W MAGAZINE**

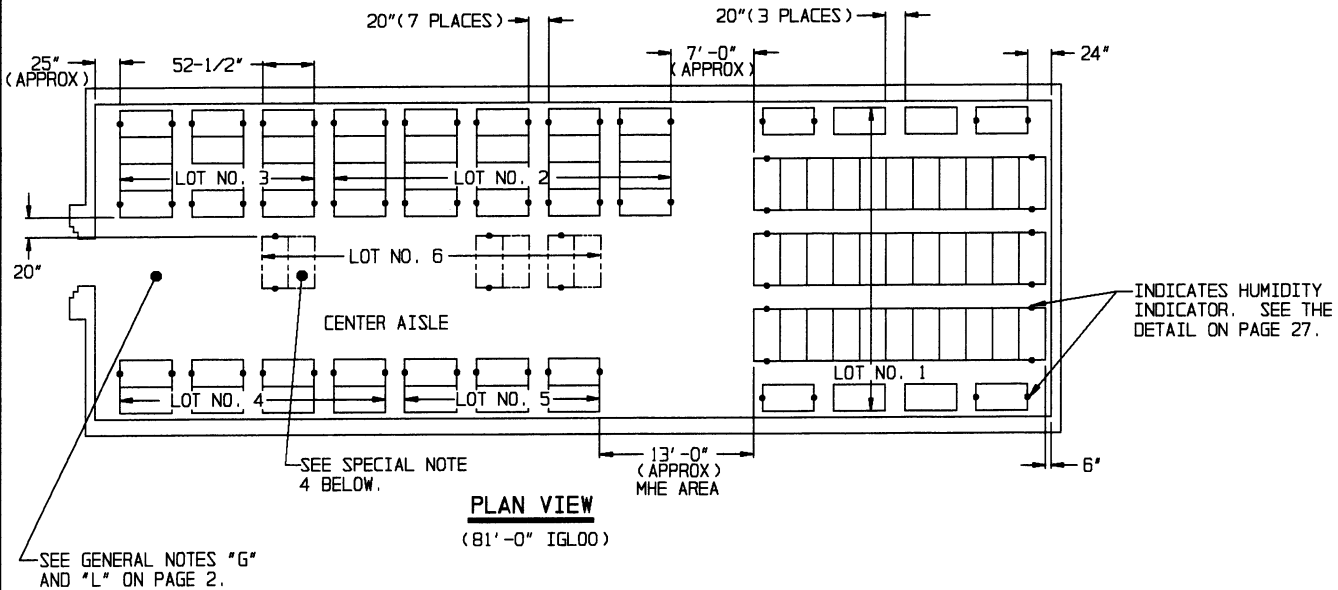
ITEM	QUANTITY
UNIT - - - - -	504
CONTAINER - - - - -	1,008



ISOMETRIC VIEW
(RECTANGULAR MAGAZINE)

SPECIAL NOTES:

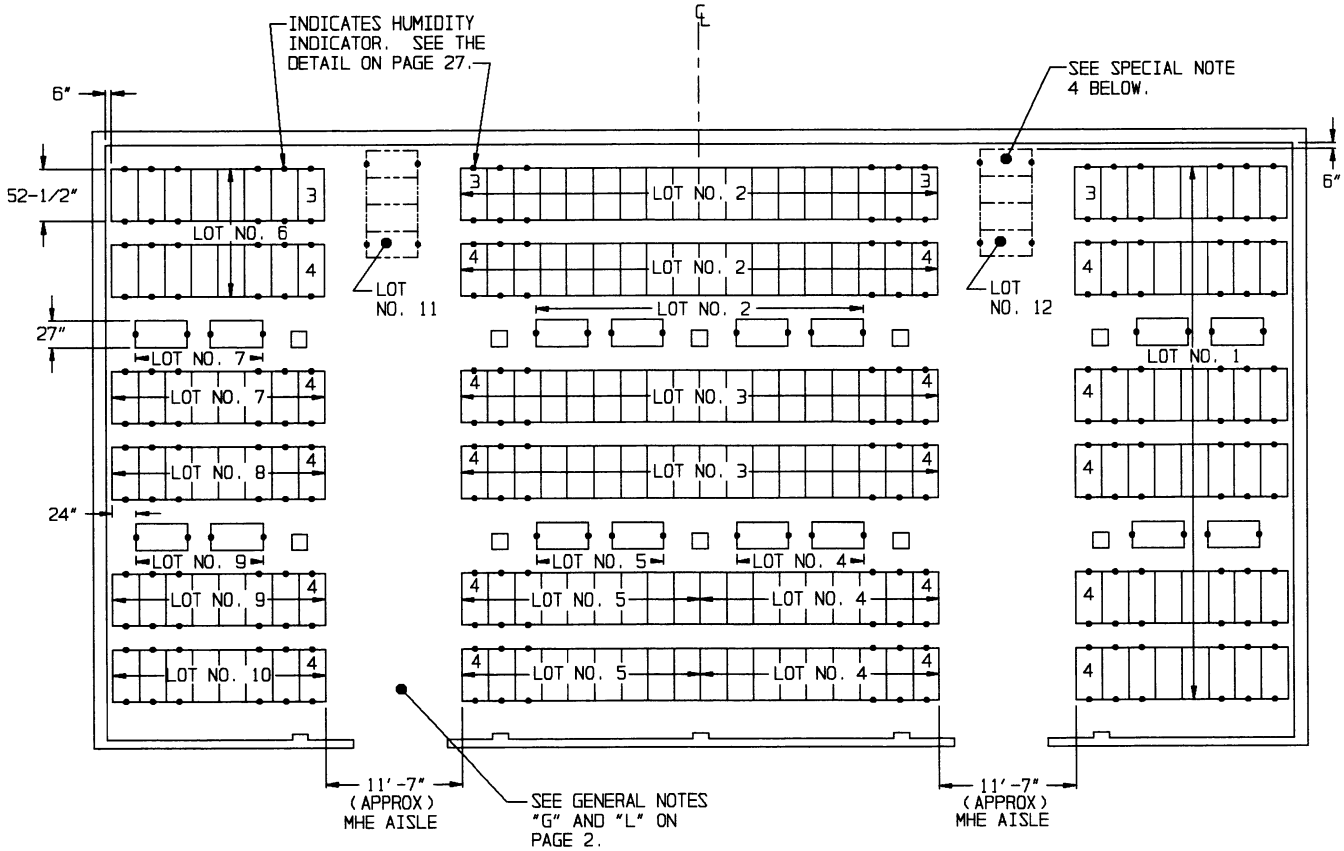
1. THE STORAGE PROCEDURES SHOWN IN THE "PLAN VIEW" ON PAGE 46 AND THE "ISOMETRIC VIEW" ON THIS PAGE ARE FOR A 100'-8" LONG BY 50'-0" WIDE RECTANGULAR MAGAZINE.
2. AN INSPECTION AISLE IS SHOWN AT EACH END OF THE PALLETIZED UNIT WHERE THE HUMIDITY INDICATOR IS LOCATED. HOWEVER, AISLE DIMENSIONS MAY BE ADJUSTED. SEE GENERAL NOTE "F" ON PAGE 2 AND DETAIL OF THE MXU-651/B AND MXU-667/B PALLETIZED UNITS ON PAGE 27.



SPECIAL NOTES:

1. THE MULTIPLE LOT STORAGE SHOWN ABOVE IS TYPICAL ONLY AND APPLIES TO STORAGE OF NUMEROUS LOTS. ADAPTATIONS MAY BE MADE DEPENDING ON THE NUMBER AND SIZE OF LOTS TO BE STORED. A "PLAN VIEW" OF AN 81'-0" X 26'-6" X 12'-9" HIGH IGL00 MAGAZINE DEPICTING TYPICAL MULTIPLE LOT STORAGE FOR MXU-650/B PALLETIZED UNITS IS SHOWN. SEE THE "STORAGE PROCEDURES FOR THE MXU-650/B PALLETIZED UNIT IN IGL00 MAGAZINES" ON PAGES 28 AND 29 FOR QUANTITIES OF PALLETIZED UNITS WITHIN A "STACK" OR "MAGAZINE". THESE PROCEDURES MAY ALSO BE USED FOR DEVELOPING MULTIPLE-LOT STORAGE FOR MXU-651/B AND MXU-667/B PALLETIZED UNITS SEE THE "STORAGE PROCEDURES FOR THE MXU-651/B AND MXU-667/B PALLETIZED UNITS IN IGL00 MAGAZINES" ON PAGES 38 AND 39 FOR GUIDANCE.
2. THESE PROCEDURES WILL BE USED FOR DEVELOPING MULTIPLE-LOT STORAGE IN IGL00, ARCH TYPE, STRADLEY, OVAL ARCH AND STEEL ARCH MAGAZINES. WHEN DEVELOPING A MULTIPLE-LOT STORAGE PLAN FOR MXU-650/B PALLETIZED UNITS, USE A COMBINATION OF THE PROCEDURES SHOWN ON PAGES 28 THROUGH 33, DEPENDING ON WHICH TYPE OF MAGAZINE IS BEING USED. WHEN DEVELOPING A MULTIPLE-LOT STORAGE PLAN FOR THE MXU-651/B OR MXU-667/B PALLETIZED UNITS, USE A COMBINATION OF THE PROCEDURES SHOWN ON THIS PAGE AND THE PROCEDURES SHOWN ON PAGES 38 THROUGH 43, DEPENDING ON WHICH TYPE OF MAGAZINE IS BEING USED.
3. WHEN TWO LOTS ARE STORED ADJACENT TO EACH OTHER WITHIN THE SAME STACK, THEY MUST BE SEPARATED BY AT LEAST ONE-INCH (1") TO PROVIDE CLEARANCE FOR THE REMOVAL OF EITHER LOT.
4. UNITS SHOWN BY PHANTOM LINES INDICATE LOCATIONS WHERE ADDITIONAL LOTS MAY BE STORED. COMPLIANCE WITH ALL OF THE MULTIPLE-LOT CRITERIA AS SET FORTH ON THIS PAGE MUST BE OBSERVED. THE SIZE OF THE LOTS BEING STORED AND THE CRITERIA OF GENERAL NOTE "L" ON PAGE 2, RELATIVE TO "12 LIFTS" WILL BE MAJOR FACTORS IMPACTING ON THE NUMBER OF PALLETIZED UNITS THAT CAN BE STORED IN AN "ADDITIONAL STORAGE LOCATION". MORE OR FEWER STACKS THAN SHOWN MAY BE STORED. A "CENTER AISLE" IS TO BE AT LEAST 56 INCHES WIDE. AN AISLE SLIGHTLY WIDER THAN 56 INCHES WILL ENHANCE FORKLIFT TRUCK MOVEMENT WITHIN A MAGAZINE; HOWEVER, THIS AISLE SHOULD NOT BE MADE WIDER IF A LOSS IN STORAGE RESULTS.
5. FOR ADDITIONAL GUIDANCE, SEE GENERAL NOTES "K", "L", AND "M" ON PAGE 2.
6. AISLE DIMENSIONS MAY BE ADJUSTED. SEE GENERAL NOTE "F" ON PAGE 2.

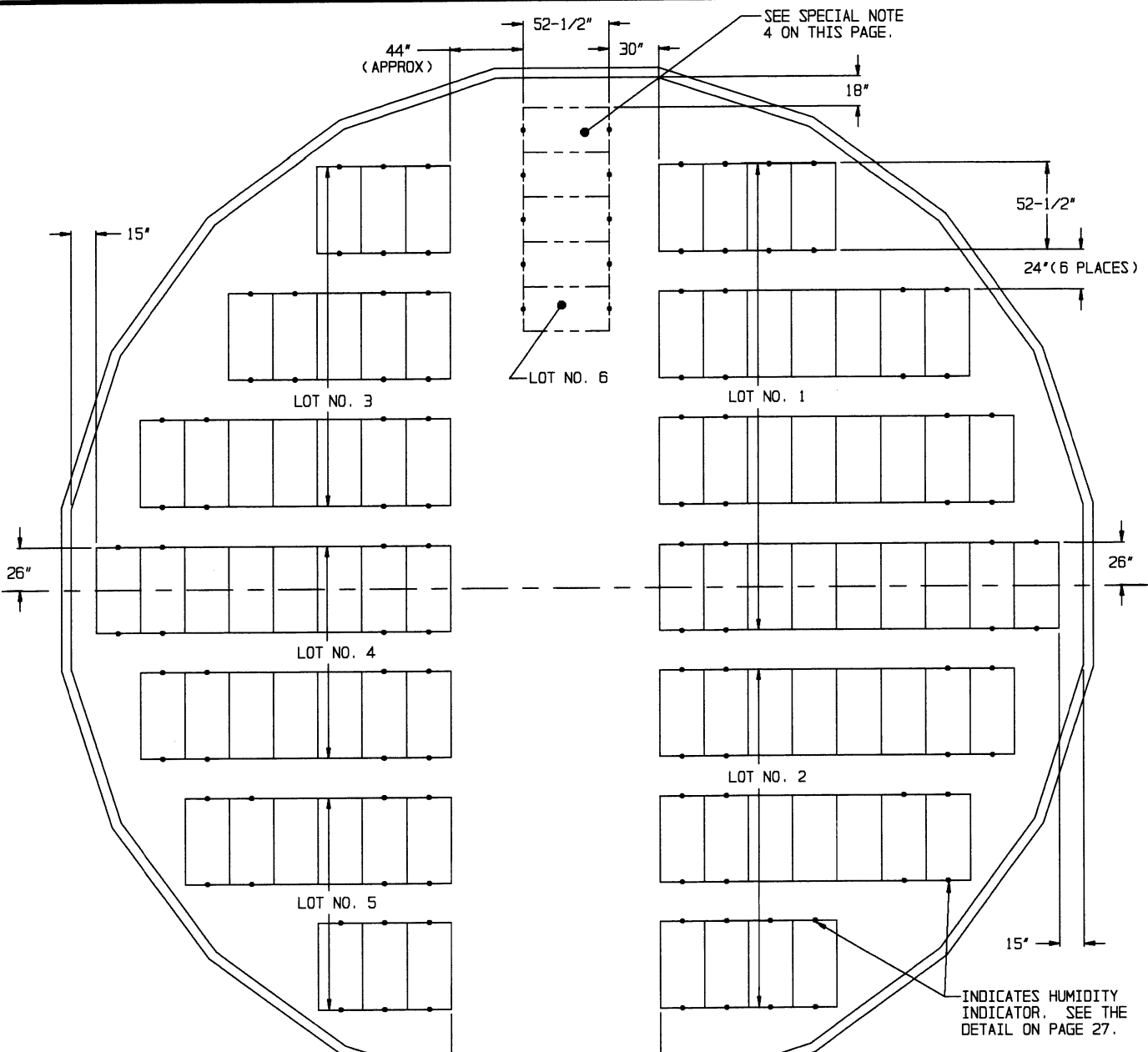
TYPICAL MULTIPLE-LOT STORAGE PROCEDURES FOR MXU-650/B, MXU-651/B OR MXU-667/B PALLETIZED UNITS IN IGL00, ARCH TYPE, STRADLEY, OVAL ARCH AND STEEL ARCH MAGAZINES



PLAN VIEW
(100'-8" X 50'-0" MAGAZINE)

SPECIAL NOTES:

1. THE MULTIPLE LOT STORAGE SHOWN ABOVE IS TYPICAL ONLY AND APPLIES TO STORAGE OF NUMEROUS LOTS. ADAPTATIONS MAY BE MADE DEPENDING ON THE NUMBER AND SIZE OF LOTS TO BE STORED. A "PLAN VIEW" OF A 100'-8" X 50'-0" RECTANGULAR MAGAZINE DEPICTING TYPICAL MULTIPLE LOT STORAGE FOR MXU-650/B PALLETIZED UNITS IS SHOWN ABOVE. SEE THE "STORAGE PROCEDURES FOR THE MXU-650/B PALLETIZED UNITS IN RECTANGULAR MAGAZINES" ON PAGES 36 AND 37 FOR QUANTITIES OF PALLETIZED UNITS WITHIN A "STACK" OR "MAGAZINE". THESE PROCEDURES MAY ALSO BE USED FOR DEVELOPING MULTIPLE-LOT STORAGE FOR MXU-651/B AND MXU-667/B PALLETIZED UNITS. SEE THE "STORAGE PROCEDURES FOR THE MXU-651/B AND MXU-667/B PALLETIZED UNITS IN RECTANGULAR MAGAZINES" ON PAGES 46 AND 47 FOR GUIDANCE.
2. WHEN DEVELOPING A MULTIPLE-LOT STORAGE PLAN FOR MXU-650/B PALLETIZED UNITS, USE A COMBINATION OF THE PROCEDURES SHOWN ON THIS PAGE AND THE PROCEDURES SHOWN ON PAGES 36 AND 37. WHEN DEVELOPING A MULTIPLE-LOT STORAGE PLAN FOR THE MXU-651/B AND MXU-667/B PALLETIZED UNITS, USE A COMBINATION OF THE PROCEDURES SHOWN ON THIS PAGE AND THE PROCEDURES SHOWN ON PAGES 46 AND 47.
3. WHEN TWO OR MORE LOTS ARE STORED ADJACENT TO EACH OTHER WITHIN THE SAME STACK, THEY MUST BE SEPARATED BY AT LEAST ONE-INCH (1") TO PROVIDE CLEARANCE FOR THE REMOVAL OF EITHER LOT.
4. UNITS SHOWN BY PHANTOM LINES INDICATE LOCATIONS WHERE ADDITIONAL LOTS MAY BE STORED. COMPLIANCE WITH ALL OF THE MULTIPLE-LOT CRITERIA AS SET FORTH ON THIS PAGE MUST BE OBSERVED. THE SIZE OF THE LOTS BEING STORED AND THE CRITERIA OF GENERAL NOTE "L" ON PAGE 2, RELATIVE TO "24 LIFTS", WILL BE MAJOR FACTORS IMPACTING ON THE NUMBER OF PALLETIZED UNITS THAT CAN BE STORED IN AN "ADDITIONAL STORAGE LOCATION". MORE OR FEWER STACKS THAN SHOWN MAY BE STORED. THE MHE OPERATING AREA CAN BE ENLARGED AS REQUIRED TO SUIT AVAILABLE FORKLIFT TRUCKS, AND SHOULD BE MADE SMALLER IF AVAILABLE MHE PERMITS. HOWEVER, THIS AISLE SHOULD BE MADE WIDER IF A LOSS IN STORAGE RESULTS.
5. FOR ADDITIONAL GUIDANCE, SEE GENERAL NOTES "K", "L", AND "M" ON PAGE 2.
6. AISLE DIMENSIONS MAY BE ADJUSTED. SEE GENERAL NOTE "F" ON PAGE 2.



SPECIAL NOTES:

1. THE MULTIPLE LOT STORAGE SHOWN IS TYPICAL ONLY AND APPLIES TO STORAGE OF NUMEROUS LOTS. ADAPTATIONS MAY BE MADE DEPENDING ON THE NUMBER AND SIZE OF LOTS TO BE STORED. A "PLAN VIEW" OF A CORBETTA MAGAZINE DEPICTING TYPICAL MULTIPLE LOT STORAGE FOR THE MXU-650/B PALLETIZED UNITS IS SHOWN. SEE THE "STORAGE PROCEDURES IN CORBETTA MAGAZINES" ON PAGES 34 AND 35 FOR QUANTITIES OF PALLETIZED UNITS WITHIN A "STACK" OR "MAGAZINE". THESE PROCEDURES MAY ALSO BE USED FOR DEVELOPING MULTIPLE-LOT STORAGE FOR MXU-651/B AND MXU-667/B PALLETIZED UNITS. SEE THE "STORAGE PROCEDURES IN CORBETTA MAGAZINES" ON PAGES 44 AND 45 FOR GUIDANCE.
2. WHEN DEVELOPING A MULTIPLE-LOT STORAGE PLAN FOR MXU-650/B PALLETIZED UNITS, USE A COMBINATION OF THE PROCEDURES SHOWN ON THIS PAGE AND THE PROCEDURES SHOWN ON PAGES 34 AND 35. WHEN DEVELOPING A MULTIPLE-LOT STORAGE PLAN FOR MXU-651/B AND MXU-667/B PALLETIZED UNITS, USE A COMBINATION OF THE PROCEDURES SHOWN ON THIS PAGE AND THE PROCEDURES SHOWN ON PAGES 44 AND 45.
3. WHEN TWO LOTS ARE STORED ADJACENT TO EACH OTHER, THEY MUST BE SEPARATED BY AT LEAST ONE-INCH (1") TO PROVIDE CLEARANCE FOR THE REMOVAL OF EITHER LOT.

4. THE UNITS SHOWN BY PHANTOM LINES WITHIN THE MHE AISLE INDICATE LOCATIONS WHERE ADDITIONAL LOTS MAY BE STORED. COMPLIANCE WITH ALL OF THE MULTIPLE-LOT CRITERIA AS SET FORTH ON THIS PAGE MUST BE OBSERVED. THE SIZE OF THE LOTS BEING STORED AND THE CRITERIA OF GENERAL NOTE "L" ON PAGE 2, RELATIVE TO "12 LIFTS", WILL BE MAJOR FACTORS IMPACTING ON THE NUMBER OF PALLETIZED UNITS THAT CAN BE STORED IN AN "ADDITIONAL STORAGE LOCATION". MORE OR FEWER STACKS THAN SHOWN MAY BE STORED. THE MHE OPERATING AREA CAN BE ENLARGED AS REQUIRED TO SUIT AVAILABLE FORKLIFT TRUCKS, AND SHOULD BE MADE SMALLER IF AVAILABLE MHE PERMITS. HOWEVER, THIS AISLE SHOULD NOT BE MADE WIDER IF A LOSS IN STORAGE RESULTS.

5. FOR ADDITIONAL GUIDANCE, SEE GENERAL NOTES "K", "L", AND "M" ON PAGE 2.
6. AISLE DIMENSIONS MAY BE ADJUSTED. SEE GENERAL NOTE "F" ON PAGE 2.

(CONTINUED AT RIGHT)

TYPICAL MULTIPLE-LOT STORAGE PROCEDURES FOR MXU-650/B, MXU-651/B OR MXU-667/B PALLETIZED UNITS IN CORBETTA MAGAZINE