

THAAD

STORAGE IN STRADLEY MAGAZINE OF TERMINAL HIGH ALTITUDE AREA DEFENSE (THAAD) MISSILE PACKED IN MISSILE ROUND (MR) CONTAINER

<u>ITEM</u>	<u>INDEX</u>	<u>PAGE(S)</u>
GENERAL NOTES AND MATERIAL SPECIFICATIONS	- - - - -	2
MR CONTAINER DETAIL	- - - - -	3
18 MR CONTAINER STORAGE ON MDA M-TUBE CART-24"	- - - - -	4-5
NINE MR CONTAINER STORAGE ON MDA M-TUBE CART-24"	- - - - -	6-7
SIX MR CONTAINER STORAGE ON WOODEN DUNNAGE	- - - - -	8-9
DUNNAGE DETAIL	- - - - -	10

DISTRIBUTION STATEMENT A:

APPROVED FOR PUBLIC RELEASE
DISTRIBUTION IS UNLIMITED.

U.S. ARMY MATERIEL COMMAND DRAWING

APPROVED, U.S. ARMY AVIATION AND MISSILE COMMAND DEGURSE.DANA.M ARLENE.13993885 00 <small>Digitally signed by DEGURSE.DANA.MARLENE.139 9388500 Date: 2022.09.20 12:01:35 -05'00'</small>	CAUTION: VERIFY PRIOR TO USE AT https://www.dau.edu/cop/ammo/pages/default.aspx THAT THIS IS THE MOST CURRENT VERSION OF THIS DOCUMENT. THIS IS PAGE 1 OF 10.							
APPROVED BY ORDER OF COMMANDING GENERAL, U.S. ARMY MATERIEL COMMAND BRAILSFORD.KEITH H.ANTHONY.10286 55661 <small>Digitally signed by BRAILSFORD.KEITH.ANTHONY. 1028655661 Date: 2022.11.21 08:23:29 -06'00'</small> DEFENSE AMMUNITION CENTER	DO NOT SCALE	OCTOBER 2011						
	DESIGN ENGINEER	BASIC REV.	RICHARD GARSIDE RICHARD GARSIDE		REVISION NO. 2	AUGUST 2022		
APPROVED BY ORDER OF COMMANDING GENERAL, U.S. ARMY MATERIEL COMMAND BRAILSFORD.KEITH H.ANTHONY.10286 55661 <small>Digitally signed by BRAILSFORD.KEITH.ANTHONY. 1028655661 Date: 2022.11.21 08:23:29 -06'00'</small> DEFENSE AMMUNITION CENTER	ENGINEERING DIVISON	FIEFFER.LAUR A.A.1230375727 <small>Digitally signed by FIEFFER.LAUR.A.1230375727 Date: 2022.08.18 10:42:20 -05'00'</small>		SEE THE REVISION LISTING ON PAGE 2				
	TEST ENGINEER TEST REPORT	NA	FELICIANO.AD IN.1259200373 <small>Digitally signed by FELICIANO.ADIN.1259200373 Date: 2022.08.19 13:31:45 -05'00'</small>		CLASS	DIVISION	DRAWING	FILE
	EXPLOSIVE SAFETY DIRECTORATE	FIEFFER.LAUR A.A.1230375727 <small>Digitally signed by FIEFFER.LAUR.A.1230375727 Date: 2022.09.16 14:32:49 -05'00'</small>		19	48	5279	GM14TH3	

GENERAL NOTES

- A. THIS DOCUMENT HAS BEEN PREPARED AND ISSUED IN ACCORDANCE WITH AR 740-1 AND AUGMENTS TM 743-200-1 (CHAPTER 5).
- B. THE STORAGE PROCEDURES DEPICTED WITHIN THIS DOCUMENT ARE APPLICABLE FOR STORAGE IN STRADLEY MAGAZINES. SEE DEPARTMENT OF THE ARMY DRAWING 33-15-74 FOR DETAILS. MINOR ADJUSTMENTS MAY BE MADE TO FACILITATE LOCAL STORAGE CONDITIONS, HOWEVER, THE BASIC PRINCIPLES AS DEPICTED HEREIN WILL BE FOLLOWED. CONTACT THAAD PROJECT OFFICE AT MDA FOR MORE INFORMATION: TH_LogDev@mda.mil
- C. THE STORAGE PROCEDURES SPECIFIED IN THIS DRAWING ARE APPLICABLE TO THAAD MISSILE PACKED IN MISSILE ROUND (MR) CONTAINER. SUBSEQUENT REFERENCE TO CONTAINER HEREIN MEANS CONTAINER WITH THAAD MISSILE. SEE PAGE 3 AND LOCKHEED MARTIN DRAWING 13551475 FOR DETAILS OF THE MR CONTAINER.
- D. STORAGE OF THE MR CONTAINER IS ACHIEVED USING EITHER THE MDA M-TUBE CART-24" OR THE DUNNAGE ASSEMBLY. SEE PAGE 3 AND ADMC DRAWING 11-082 FOR DETAILS OF THE MDA M-TUBE CART-24". SEE PAGE 10 FOR DETAILS OF THE DUNNAGE ASSEMBLY.
- E. **CAUTION:** THESE ITEMS ARE IN A "PROPULSIVE STATE" AND MUST BE STORED WITH THE NOSE END FACING TOWARD THE REAR WALL OR A SIDE WALL OF THE MAGAZINE, NOT TOWARD THE DOOR/FRONT WALL.
- F. **CAUTION:** THE ALLOWABLE "EXPLOSIVE LIMIT" ESTABLISHED FOR A MAGAZINE IS NOT TO BE EXCEEDED. THIS LIMITATION MAY REQUIRE A QUANTITY REDUCTION FROM THE STORAGE AS SHOWN.
- G. STORED CONTAINERS MUST NOT CONTACT THE SIDES OF A MAGAZINE. THEREFORE, UNITS MUST BE STORED A MINIMUM OF 6" FROM THE SIDEWALL OR CURVATURE OF THE MAGAZINE AS APPLICABLE. TO PROVIDE FOR THIS MANDATORY CLEARANCE REQUIREMENT, UNITS MAY BE ELIMINATED FROM THE DEPICTED STORAGE PATTERN AS NECESSARY.
- H. A 48" MINIMUM INSPECTION DISTANCE MUST BE MAINTAINED AT THE END OF THE CONTAINERS WHERE HUMIDITY INDICATORS ARE LOCATED, IN ORDER TO CHANGE THE DESSICANT.
- J. THE MAXIMUM FLOOR LOAD FOR THE MAGAZINE AS PRESCRIBED WILL NOT BE EXCEEDED.
- K. AN 18" MINIMUM WIDTH ACCESS AISLE MUST BE PROVIDED FOR INVENTORY PURPOSES. ADDITIONALLY, ONE MR CONTAINER OF EACH LOT MUST BE PLACED IN AN ACCESSIBLE LOCATION IN THE MAGAZINE, TO PERMIT USE OF MHE, TO SATISFY SURVEILLANCE REQUIREMENTS. COORDINATION IS NEEDED BETWEEN QUALITY ASSURANCE AND OPERATING PERSONNEL TO ASSURE SURVEILLANCE SAMPLES ARE POSITIONED IN A READILY ACCESSIBLE LOCATION.
- L. ADDITIONAL MR CONTAINERS MAY BE STORED WITHIN THE MHE AISLE OR FRONTAL AREA OF THE MAGAZINE ONLY WHEN STORED ON MDA M-TUBE CARTS, IF DESIRED. AN ADDITIONAL THREE MR CONTAINERS CAN BE STORED IN AN 18 MR CONTAINER MAGAZINE, AS DEPICTED ON PAGES 4 AND 5. ADDITIONAL CONTAINERS CAN ALSO BE ADDED TO THE STORAGE CONFIGURATION DEPICTED ON PAGES 6 AND 7.
- M. OTHER COMPATIBLE ITEMS MAY BE STORED IN THE MAGAZINE, WHICH IS PARTIALLY FILLED WITH THE DESIGNATED ITEM.
- N. PORTIONS OF THE MAGAZINE, SUCH AS SIDEWALLS, ENDWALLS, AND ROOFS, HAVE NOT BEEN SHOWN IN THE STORAGE VIEWS FOR CLARITY PURPOSES.
- O. CONVERSION TO METRIC EQUIVALENTS: DIMENSIONS WITHIN THIS DOCUMENT ARE EXPRESSED IN INCHES, AND WEIGHTS ARE EXPRESSED IN POUNDS. WHEN NECESSARY, THE METRIC EQUIVALENT MAY BE COMPUTED ON THE BASIS OF ONE INCH EQUALS 25.4MM AND ONE POUND EQUALS 0.454 KG.

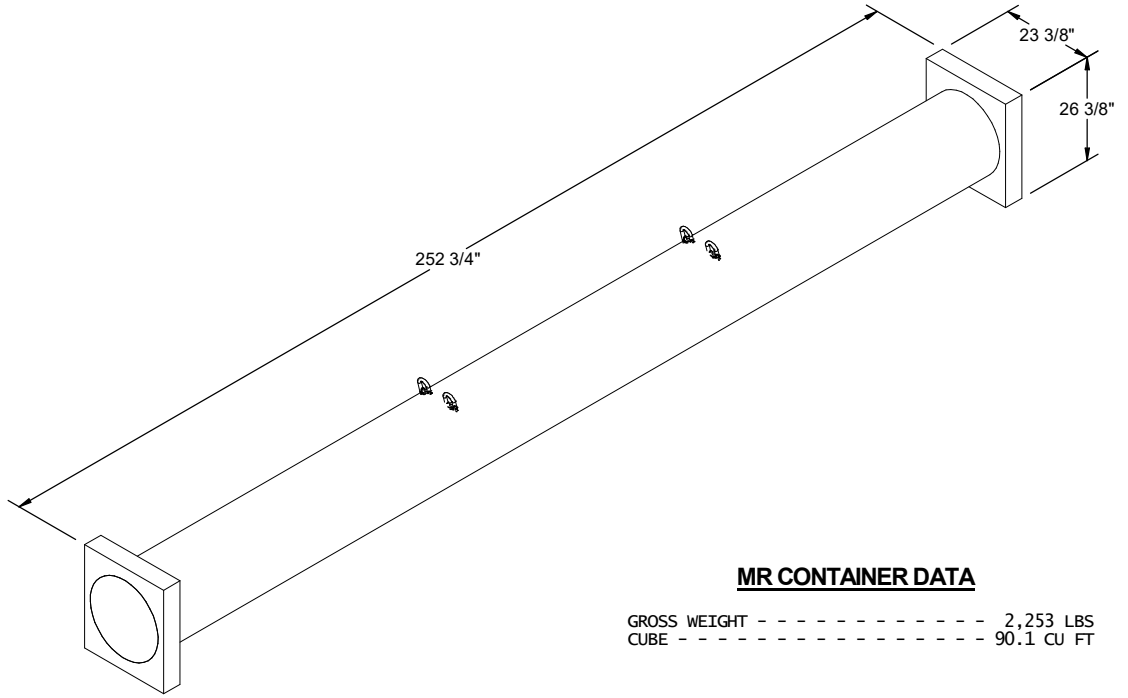
REVISIONS

REVISION NO. 1, DATED MARCH 2021, CONSISTS OF:

1. REMOVING RESTRICTION FOR ANNISTON MUNITIONS CENTER ONLY.
2. ADDING MAGAZINE DRAWING INFORMATION ON PAGE 2.
3. ADDING MDA REFERENCE INFORMATION ON PAGE 2.

REVISION NO. 2, DATED AUGUST 2022, CONSISTS OF:

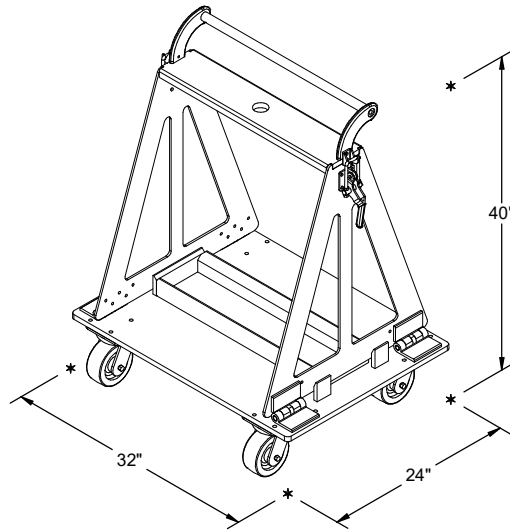
ADDING "DISTRIBUTION STATEMENT A" TO COVER PAGE.



MR CONTAINER DATA

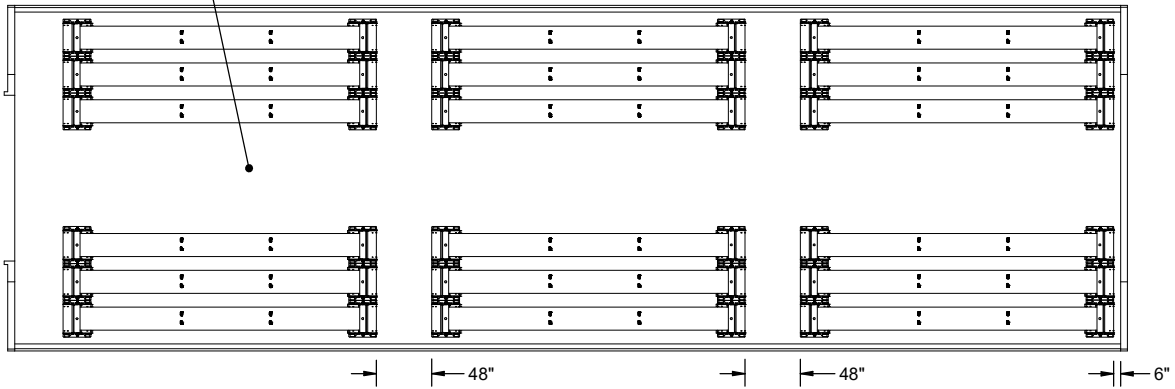
GROSS WEIGHT - - - - - 2,253 LBS
 CUBE - - - - - 90.1 CU FT

INDICATES AFT END OF CONTAINER (CONTAINS HUMIDITY INDICATOR AND DESICCANTS)



MDA M-TUBE CART-24"

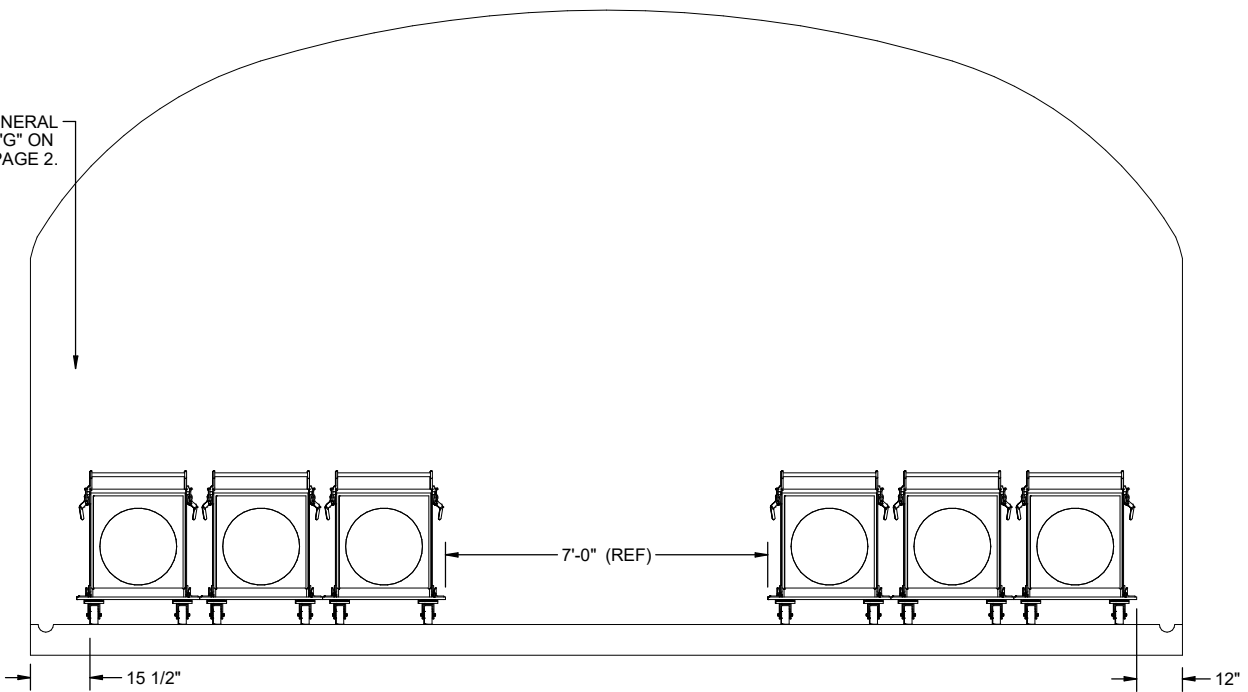
SEE GENERAL NOTES "K" AND "L" ON PAGE 2.



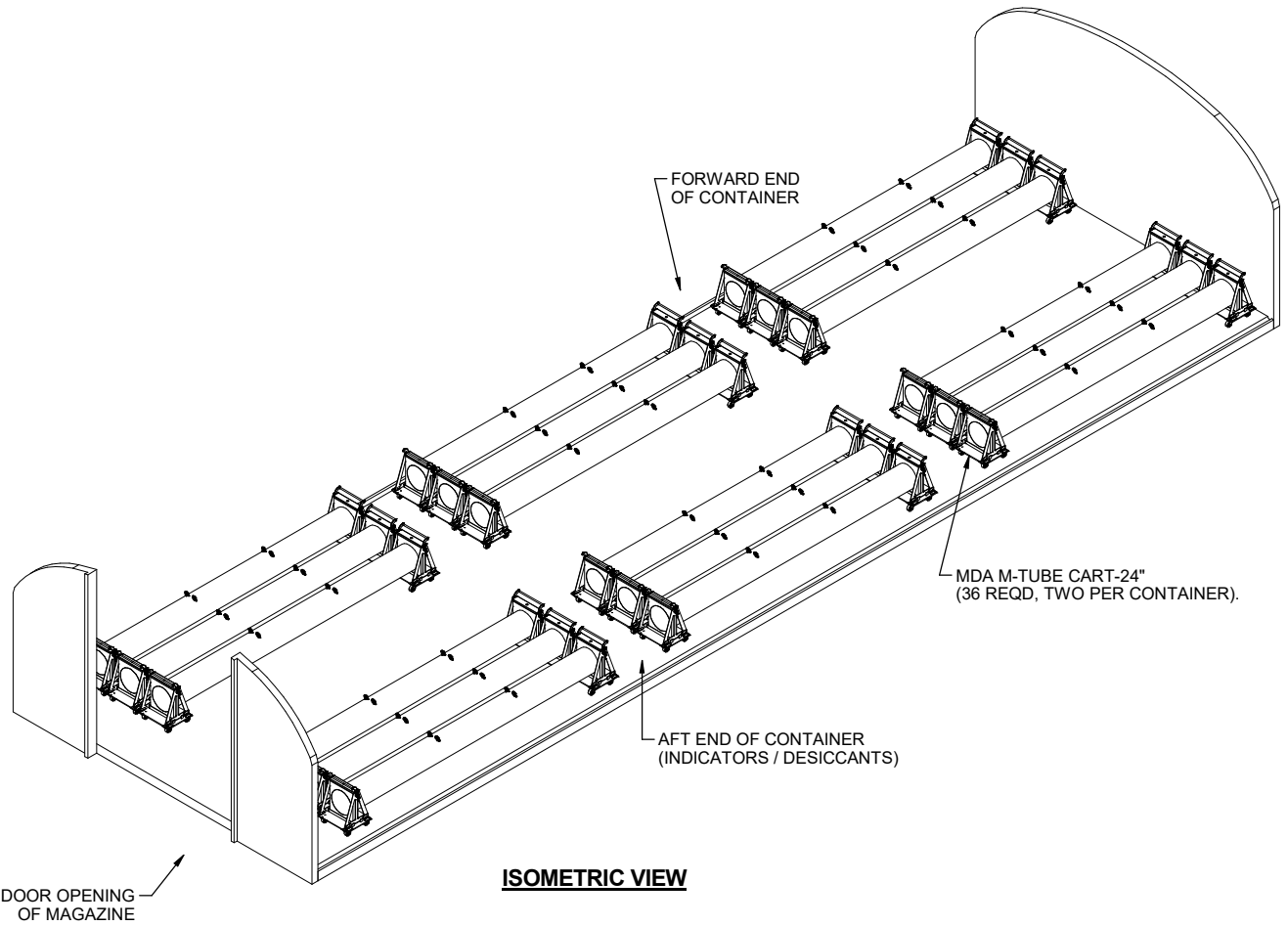
DOOR OPENING OF MAGAZINE

PLAN VIEW

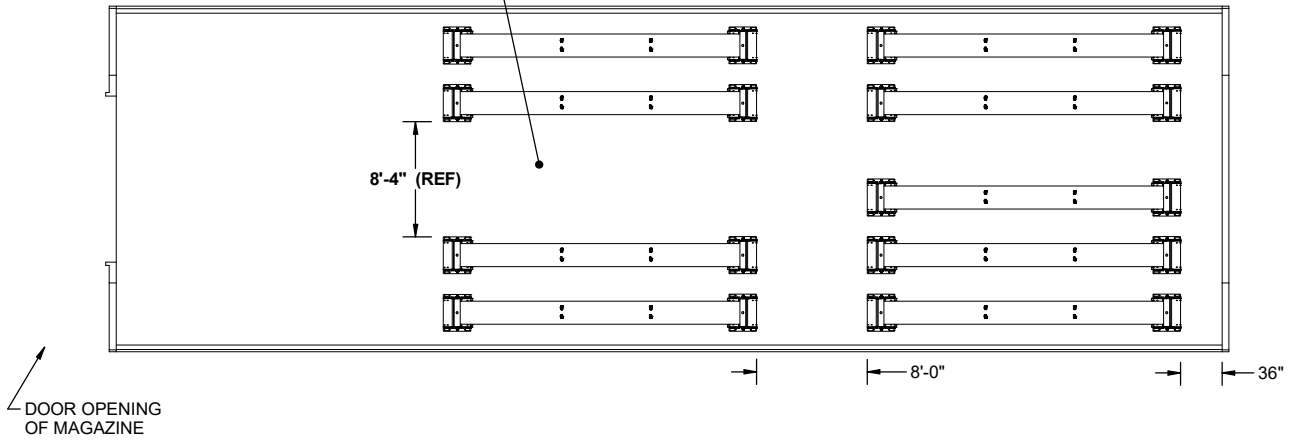
SEE GENERAL NOTE "G" ON PAGE 2.



FRONT VIEW

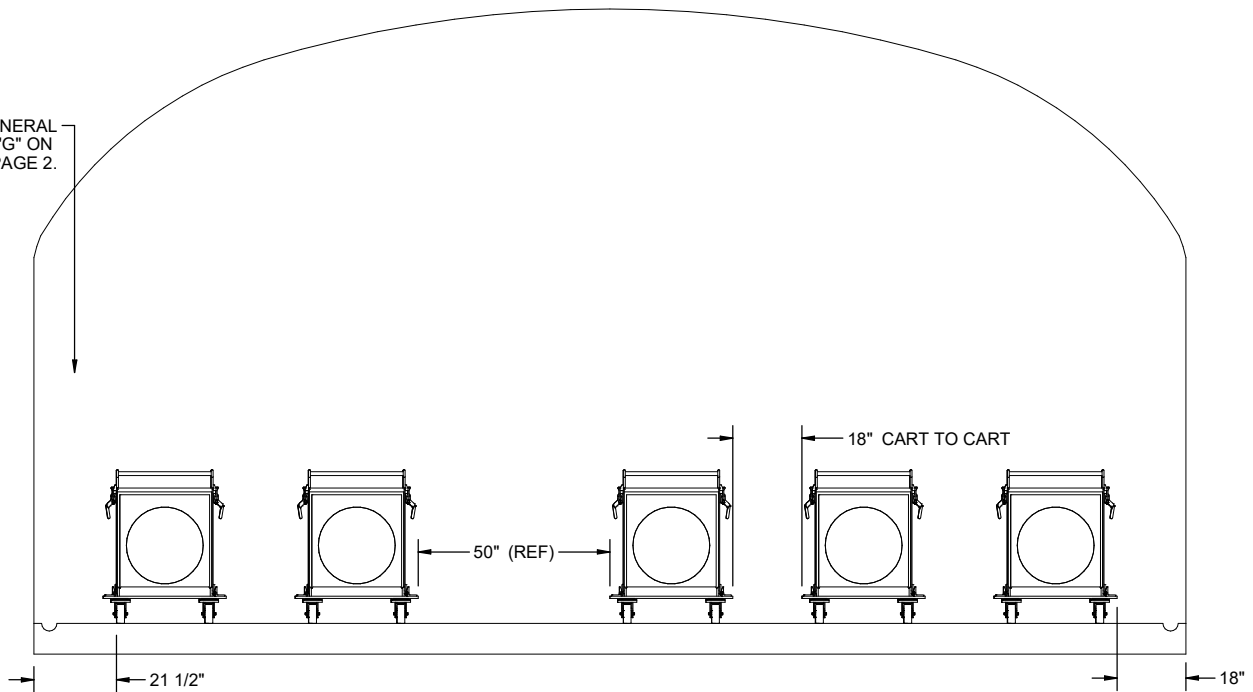


SEE GENERAL NOTES "K" AND "L" ON PAGE 2.

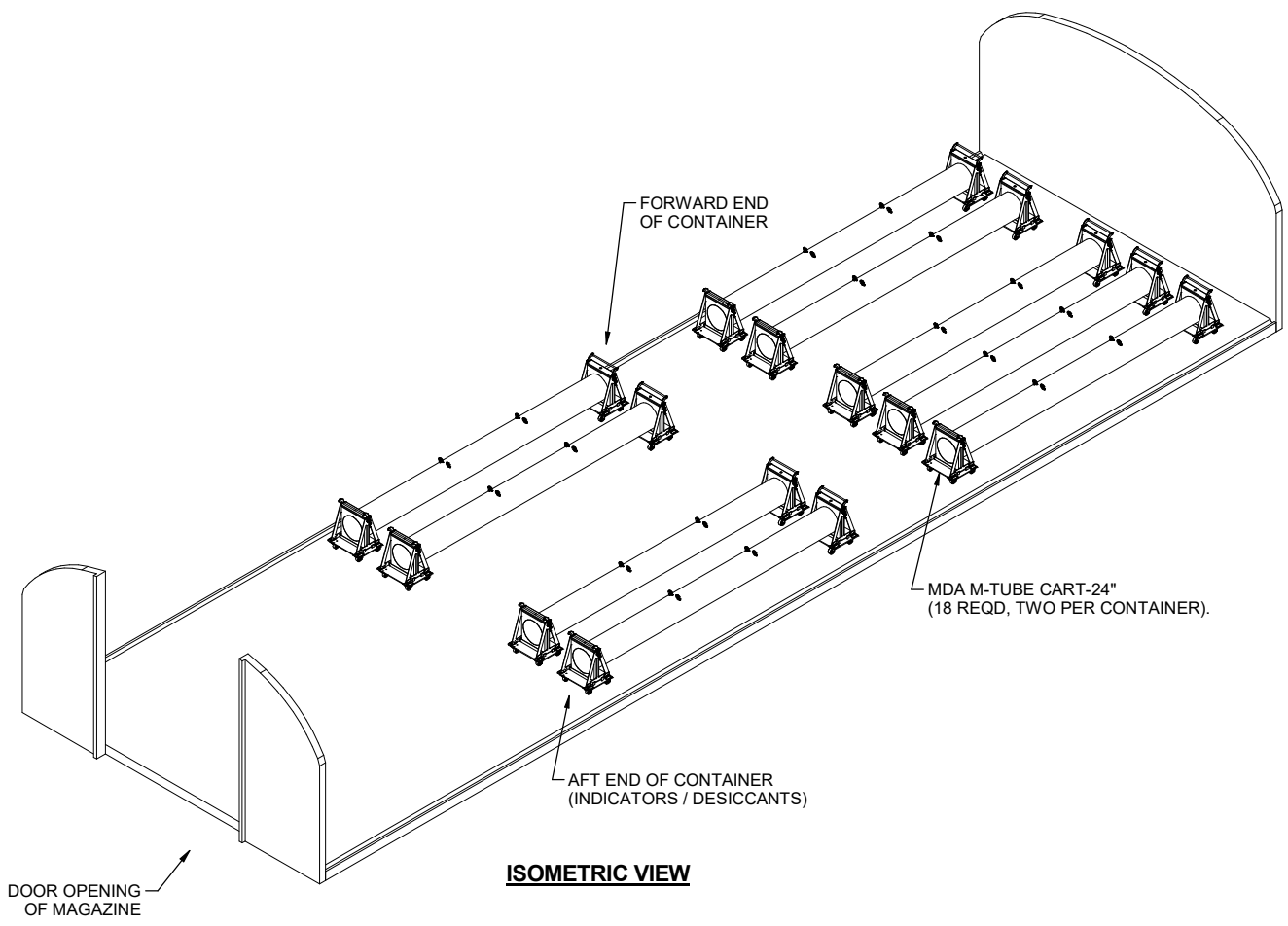


PLAN VIEW

SEE GENERAL NOTE "G" ON PAGE 2.

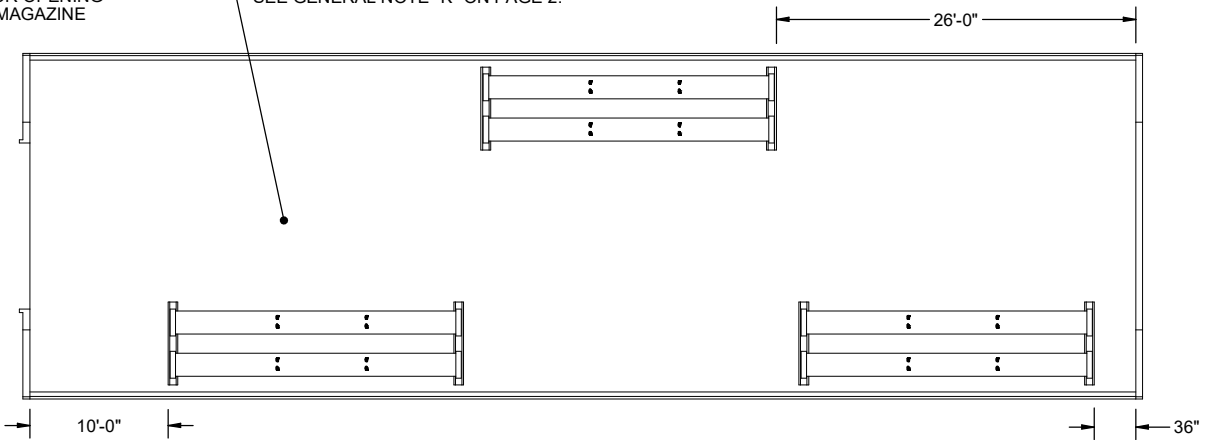


FRONT VIEW



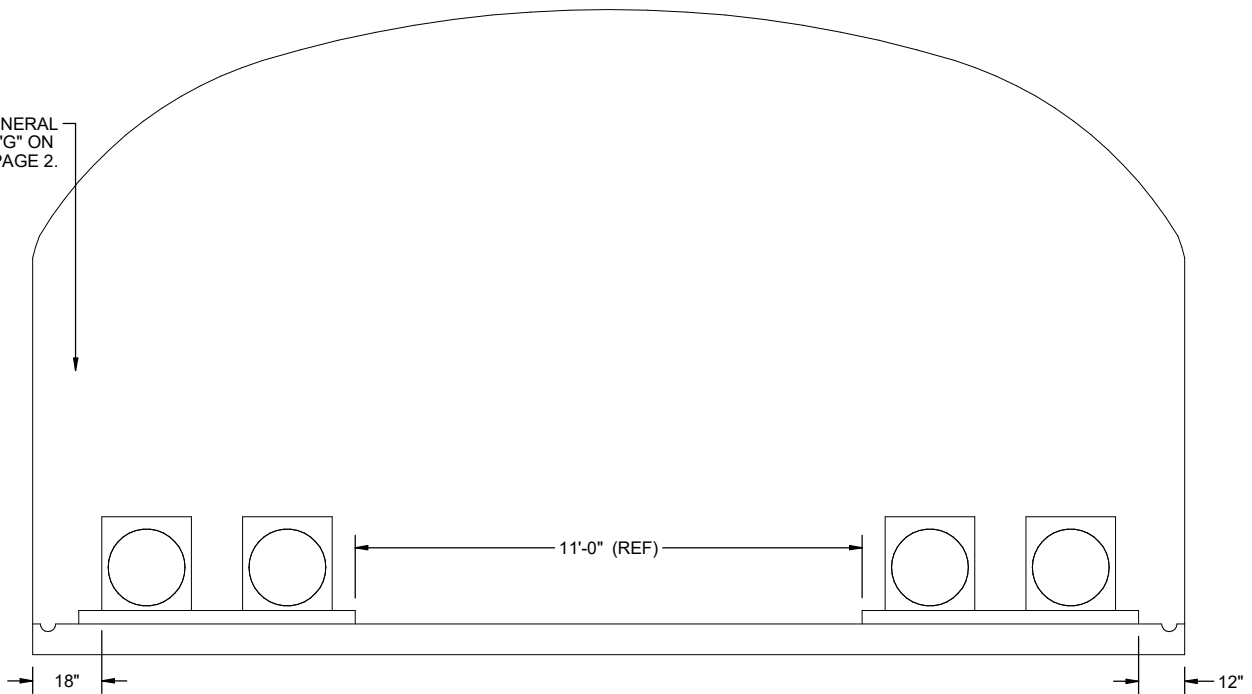
DOOR OPENING
OF MAGAZINE

SEE GENERAL NOTE "K" ON PAGE 2.

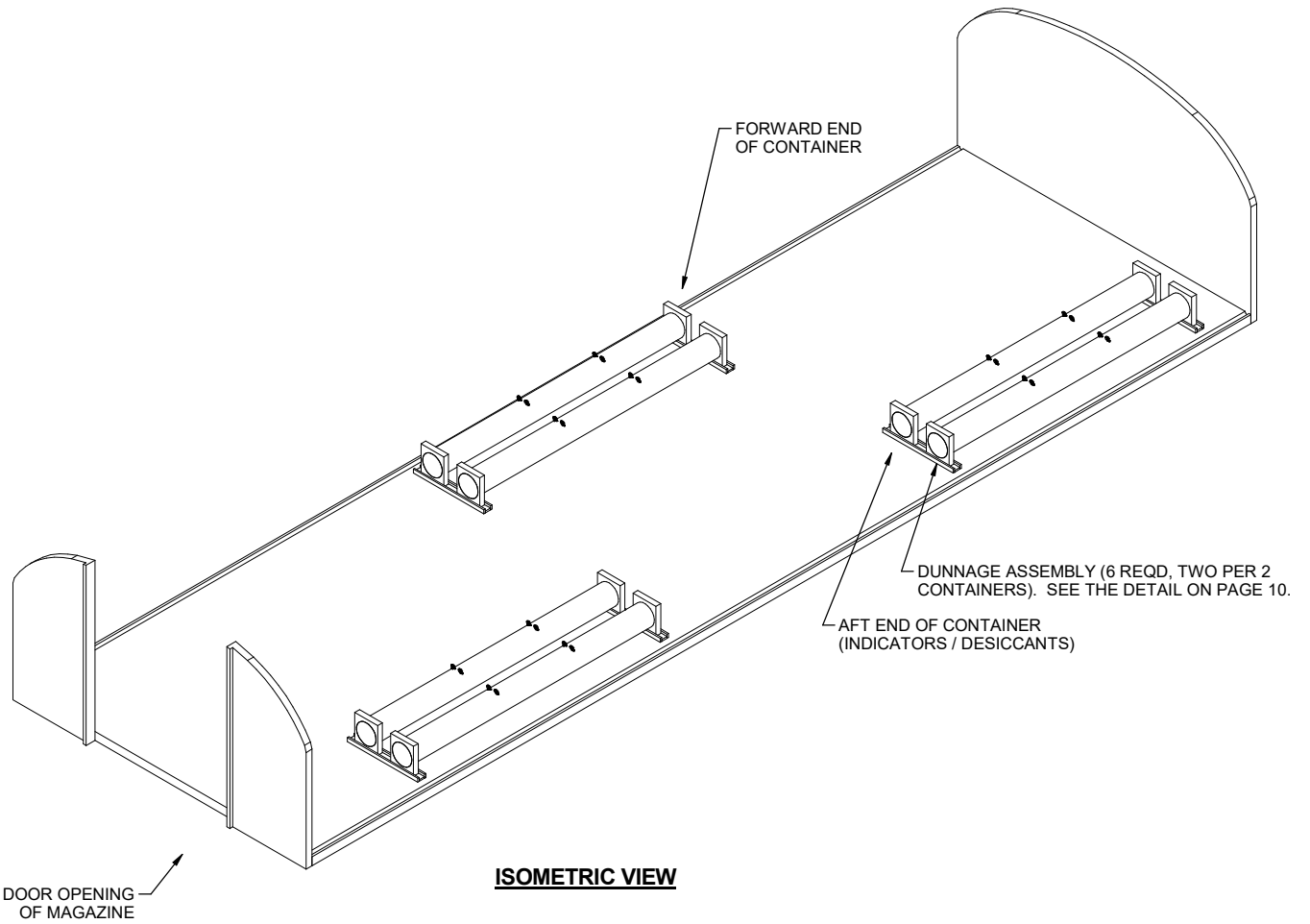


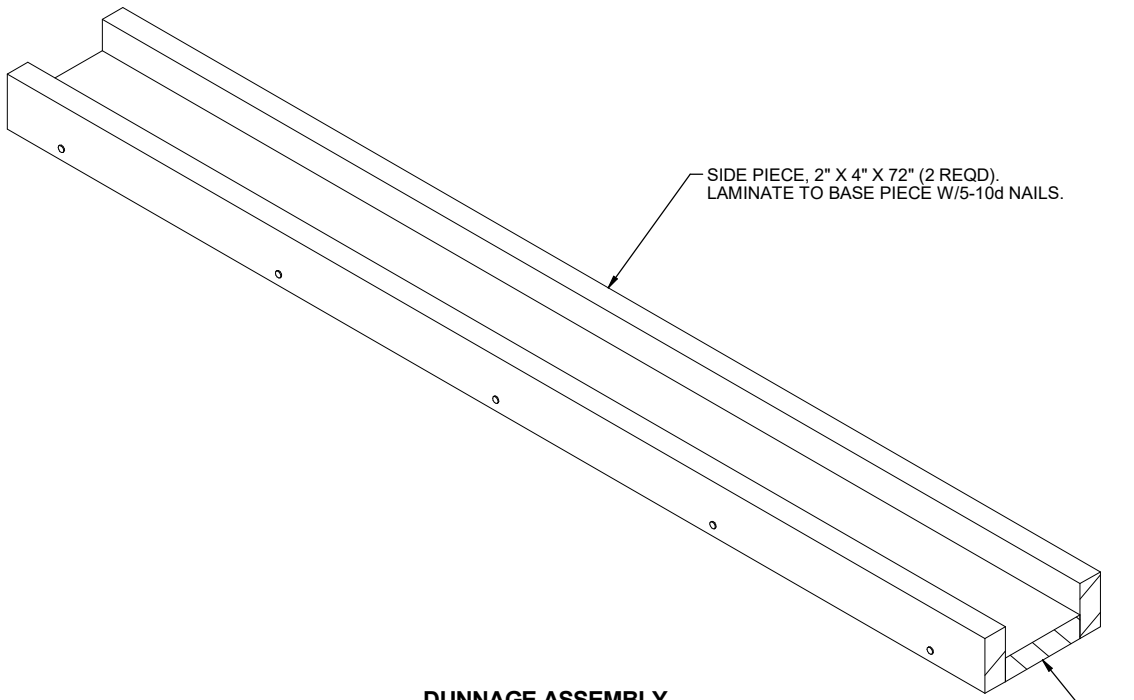
PLAN VIEW

SEE GENERAL
NOTE "G" ON
PAGE 2.



FRONT VIEW





SIDE PIECE, 2" X 4" X 72" (2 REQD).
LAMINATE TO BASE PIECE W/5-10d NAILS.

DUNNAGE ASSEMBLY

BASE PIECE, 2" X 6" X 72" (1 REQD).