

ATACMS

STORAGE IN APPROVED MAGAZINES OF MISSILE/LAUNCH POD ASSEMBLY (M/LPA) FOR THE ARMY TACTICAL MISSILE SYSTEM

INDEX

<u>ITEM</u>	<u>PAGE(S)</u>
GENERAL NOTES AND MATERIAL SPECIFICATIONS - - - - -	2
M/LPA DETAILS - - - - -	3
STORAGE PROCEDURES (EARTH COVERED MAGAZINES):	
TYPICAL STORAGE IN ARCHED OR ROUNDED ROOF MAGAZINES - - - - -	4-7
52' -0" DIAMETER CORBETTA MAGAZINE - - - - -	8, 9
100' -8" L X 50' -0" W RECTANGULAR MAGAZINE - - - - -	10, 11
60' -0" L X 40' -0" W TYPE II BUNKER MAGAZINE - - - - -	12, 13
60' -0" L X 40' -0" W TYPE III BUNKER MAGAZINE - - - - -	14, 15
40' -0" L X 20' -0" W TYPE IV BUNKER MAGAZINE - - - - -	16, 17

U.S. ARMY MATERIEL COMMAND DRAWING

APPROVED, U.S. ARMY AVIATION AND MISSILE COMMAND APPROVED BY ORDER OF COMMANDING GENERAL, U.S. ARMY MATERIEL COMMAND U.S. ARMY DEFENSE AMMUNITION CENTER	<p>CAUTION: VERIFY PRIOR TO USE AT WWW.DAC.ARMY.MIL THAT THIS IS THE MOST CURRENT VERSION OF THIS DOCUMENT. THIS IS PAGE 1 OF 18.</p> <table style="width: 100%; border-collapse: collapse;"> <tr> <td colspan="2" style="text-align: center;">DO NOT SCALE</td> <td colspan="2" style="text-align: center;">AUGUST 1989</td> </tr> <tr> <td style="width: 15%;">ENGINEER OR TECHNICIAN</td> <td style="width: 10%;">BASIC REV.</td> <td colspan="2" style="text-align: center;">MELVIN DAEUMER</td> </tr> <tr> <td></td> <td></td> <td colspan="2" style="text-align: center;">MELVIN SIX</td> </tr> <tr> <td colspan="2" style="vertical-align: top;"> TRANSPORTATION ENGINEERING DIVISION VALIDATION ENGINEERING DIVISION ENGINEERING DIRECTORATE </td> <td style="width: 15%; vertical-align: top;"> TESTED </td> <td style="width: 15%; vertical-align: top;"> REVISION NO. 2 MAY 2004 SEE THE REVISION LISTING ON PAGE 2 <table style="width: 100%; border-collapse: collapse;"> <tr> <td style="width: 15%;">CLASS</td> <td style="width: 15%;">DIVISION</td> <td style="width: 15%;">DRAWING</td> <td style="width: 15%;">FILE</td> </tr> <tr> <td style="text-align: center;">19</td> <td style="text-align: center;">48</td> <td style="text-align: center;">5262</td> <td style="text-align: center;">GM1-3-4- 14-22AT1</td> </tr> </table> </td> </tr> </table>	DO NOT SCALE		AUGUST 1989		ENGINEER OR TECHNICIAN	BASIC REV.	MELVIN DAEUMER				MELVIN SIX		TRANSPORTATION ENGINEERING DIVISION VALIDATION ENGINEERING DIVISION ENGINEERING DIRECTORATE		TESTED 	REVISION NO. 2 MAY 2004 SEE THE REVISION LISTING ON PAGE 2 <table style="width: 100%; border-collapse: collapse;"> <tr> <td style="width: 15%;">CLASS</td> <td style="width: 15%;">DIVISION</td> <td style="width: 15%;">DRAWING</td> <td style="width: 15%;">FILE</td> </tr> <tr> <td style="text-align: center;">19</td> <td style="text-align: center;">48</td> <td style="text-align: center;">5262</td> <td style="text-align: center;">GM1-3-4- 14-22AT1</td> </tr> </table>	CLASS	DIVISION	DRAWING	FILE	19	48	5262	GM1-3-4- 14-22AT1
DO NOT SCALE		AUGUST 1989																							
ENGINEER OR TECHNICIAN	BASIC REV.	MELVIN DAEUMER																							
		MELVIN SIX																							
TRANSPORTATION ENGINEERING DIVISION VALIDATION ENGINEERING DIVISION ENGINEERING DIRECTORATE		TESTED 	REVISION NO. 2 MAY 2004 SEE THE REVISION LISTING ON PAGE 2 <table style="width: 100%; border-collapse: collapse;"> <tr> <td style="width: 15%;">CLASS</td> <td style="width: 15%;">DIVISION</td> <td style="width: 15%;">DRAWING</td> <td style="width: 15%;">FILE</td> </tr> <tr> <td style="text-align: center;">19</td> <td style="text-align: center;">48</td> <td style="text-align: center;">5262</td> <td style="text-align: center;">GM1-3-4- 14-22AT1</td> </tr> </table>	CLASS	DIVISION	DRAWING	FILE	19	48	5262	GM1-3-4- 14-22AT1														
CLASS	DIVISION	DRAWING	FILE																						
19	48	5262	GM1-3-4- 14-22AT1																						

PROJECT GM 810-88

GENERAL NOTES

- A. THIS DOCUMENT HAS BEEN PREPARED AND ISSUED IN ACCORDANCE WITH AR 740-1 AND AUGMENTS TM 743-200-1 (CHAPTER 5).
- B. THE STORAGE PROCEDURES SPECIFIED IN THIS DRAWING ARE APPLICABLE TO THE ARMY TACTICAL MISSILE SYSTEM (ATACMS) COMPLETE ROUND, WHEN PACKED IN THE MISSILE/LAUNCH POD ASSEMBLY (M/LPA). SUBSEQUENT REFERENCE TO ASSEMBLY HEREIN MEANS THE M/LPA WITH MISSILE COMPONENTS.
- C. FOR DETAILS OF THE MISSILE/LAUNCH POD ASSEMBLY, SEE US ARMY MISSILE COMMAND DRAWING NO. 13288205 AND THE ATACMS MISSILE/LAUNCH POD ASSEMBLY DETAIL ON PAGE 3.
- D. THIS IS A QD CLASS 1.1 ITEM AND IS IN COMPATIBILITY GROUP E. CAUTION: THIS ITEM IS IN A "PROPULSIVE STATE" AND MUST BE STORED WITH THE FORWARD END FACING TOWARD THE SAME MAGAZINE SIDEWALL OR THE REAR WALL AS INDICATED BY THE DIRECTIONAL ARROWS ON THE STORAGE VIEWS.
- E. THE STORAGE PROCEDURES DEPICTED WITHIN THIS DOCUMENT ARE APPLICABLE FOR STORAGE IN VARIOUS TYPES AND SIZES OF MAGAZINES. THE STORAGE PROCEDURES DEPICTED FOR THE SPECIFIC TYPES OF MAGAZINES MAY ALSO BE UTILIZED TO STORE ASSEMBLIES IN OTHER TYPES OF APPROVED MAGAZINES. MINOR ADJUSTMENTS MAY BE MADE TO FACILITATE STORAGE IN OTHER TYPES OF MAGAZINES; HOWEVER, THE BASIC PRINCIPLES AS DEPICTED HEREIN WILL BE FOLLOWED.
- F. CAUTION: THE ALLOWABLE "EXPLOSIVE LIMIT" ESTABLISHED FOR A MAGAZINE IS NOT TO BE EXCEEDED. THIS LIMITATION MAY REQUIRE A QUANTITY REDUCTION FROM THE STORAGE AS SHOWN.
- G. IF THE QUANTITY OF ASSEMBLIES FOR A MAGAZINE IS TO BE REDUCED FROM WHAT IS SHOWN HEREIN DUE TO THE PERMITTED "EXPLOSIVE LIMIT" OR FOR ANY OTHER REASON, SUCH AS A LIMITED QUANTITY TO BE STORED, THE DELINEATED PROCEDURES ARE TO BE ADJUSTED BY OMITTING STACKS RATHER THAN BY OMITTING LAYERS.
- H. STORED ASSEMBLIES MUST NOT CONTACT THE WALLS OF A MAGAZINE. THEREFORE, ASSEMBLIES WILL BE STORED A MINIMUM OF 6" FROM THE SIDEWALL OR CURVATURE OF THE MAGAZINE AS APPLICABLE. TO PROVIDE FOR THIS MANDATORY CLEARANCE REQUIREMENT, ASSEMBLIES MAY BE ELIMINATED FROM THE DEPICTED STORAGE PATTERN AS NECESSARY.
- J. AISLE DIMENSIONS SHOWN FOR STORAGE PROCEDURES IN MAGAZINES MAY BE ADJUSTED TO SUIT LOCAL CONDITIONS, AND/OR AVAILABLE MATERIALS HANDLING EQUIPMENT (MHE). HOWEVER, A 24" MINIMUM INSPECTION AISLE MUST BE MAINTAINED AT THE END OF THE ASSEMBLIES WHERE HUMIDITY INDICATORS ARE LOCATED.
- K. THE MAXIMUM FLOOR LOAD FOR A MAGAZINE AS PRESCRIBED BY LOCAL STANDARDS WILL NOT BE EXCEEDED.
- L. IF AVAILABLE MHE PERMITS, ADDITIONAL ASSEMBLIES MAY BE STORED WITHIN THE MHE AREA AND/OR OTHER AVAILABLE AREA OF THE MAGAZINE.
- M. OTHER COMPATIBLE ITEMS MAY BE STORED IN A MAGAZINE, WHICH IS PARTIALLY FILLED WITH THE DESIGNATED ITEM.
- N. CAUTION: ASSEMBLIES MUST NOT BE STACKED MORE THAN FOUR ASSEMBLIES HIGH.
- O. THE HEIGHT OF THE PACKAGE GUARD ON SOME FORKLIFT TRUCKS MAY NOT PERMIT PLACEMENT OF SOME TOP LAYER ASSEMBLIES IN THE STACKS SHOWN IN THE STORAGE VIEWS HEREIN, UNLESS TWO UPPER ASSEMBLIES ARE HANDLED AS ONE LIFT OR THE PACKAGE GUARD IS REMOVED (TINE CARRIAGE WILL IN MOST INSTANCES PROVIDE ADEQUATE PACKAGE GUARD PROTECTION). ONLY A FORKLIFT TRUCK OF ADEQUATE CAPACITY WILL BE USED WHEN LIFTING TWO ASSEMBLIES AS ONE LIFT.

(CONTINUED AT RIGHT)

MATERIAL SPECIFICATIONS

LUMBER - - - - - : SEE TM 743-200-1 (DUNNAGE LUMBER) AND VOLUNTARY PRODUCT STANDARD PS 20.
NAILS - - - - - : ASTM F1667; COMMON STEEL NAIL (NLCMS OR NLCMMS).

(GENERAL NOTES CONTINUED)

- P. PORTIONS OF THE MAGAZINES, SUCH AS SIDE WALLS, END WALLS, AND ROOFS HAVE NOT BEEN SHOWN IN THE STORAGE VIEWS FOR CLARITY PURPOSES.
- Q. CONVERSION TO METRIC EQUIVALENTS: DIMENSIONS WITHIN THIS DOCUMENT ARE EXPRESSED IN INCHES AND WEIGHTS ARE EXPRESSED IN POUNDS. WHEN NECESSARY, THE METRIC EQUIVALENT MAY BE COMPUTED ON THE BASIS OF ONE INCH EQUALS 25.4 MM, AND ONE POUND EQUALS 0.454 KG.
- R. DUNNAGE LUMBER SPECIFIED THROUGHOUT THIS PROCEDURAL DRAWING IS OF NOMINAL SIZE. FOR EXAMPLE, 1" X 4" MATERIAL IS ACTUALLY 3/4" THICK BY 3-1/2" WIDE AND 2" X 6" MATERIAL IS ACTUALLY 1-1/2" THICK BY 5-1/2" WIDE.
- S. THE ATACMS IS A "LOW DENSITY" MISSILE SYSTEM. SMALL LOT SIZES ARE EXPECTED (LESS THAN 50). CURRENT REQUIREMENTS ARE FOR 10 PERCENT OF THE STOCK TO BE RECERTIFIED ANNUALLY THROUGH THE ATMF AND ANOTHER 20 PERCENT TO BE VISUALLY, PERIODICALLY INSPECTED TO INCLUDE ELECTRICAL TESTING UTILIZING THE MISSILE MONITOR TEST DEVICE (MMTD). STORAGE CONFIGURATIONS SHOULD INCORPORATE THESE EXTRA REWAREHOUSING REQUIREMENTS.
- T. CAUTION: WHEN STACKING MISSILE/LAUNCH POD ASSEMBLIES (M/LPAS), THE ALIGNMENT HOLES IN THE SHOCK ISOLATOR SKIDS OF AN UPPER CONTAINER MUST BE PROPERLY ALIGNED WITH THE STACKING PINS OF A LOWER CONTAINER TO PRECLUDE UNDUE STRESS ON THE SHOCK ABSORBERS AND FRAME AND TO PROVIDE FOR STABILITY OF THE STACK.
- U. THE SHOCK ISOLATOR (RUBBER) SKIDS OF A MISSILE/LAUNCH POD ASSEMBLY WILL NOT ADEQUATELY SUPPORT A STACK OF TWO ASSEMBLIES. THEREFORE, "POD SUPPORT" DUNNAGE MUST BE INSTALLED DIRECTLY BEHIND THE SKIDS OF THE LOWER CONTAINER(S) IF STACKS ARE TWO OR MORE HIGH. A "POD SUPPORT" IS NOT REQUIRED FOR A ONE-HIGH ASSEMBLY STACK, OR BETWEEN THE TOP TWO ASSEMBLIES OF STACKS MORE THAN ONE HIGH.

REVISIONS

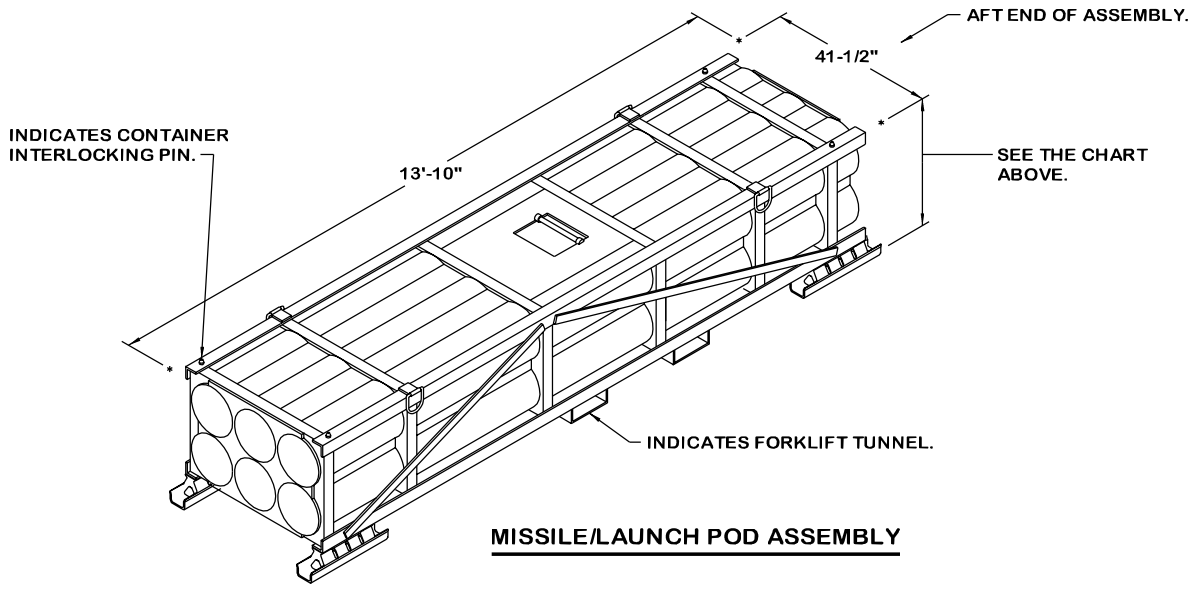
REVISION NO. 1, DATED MARCH 1994, CONSISTS OF:

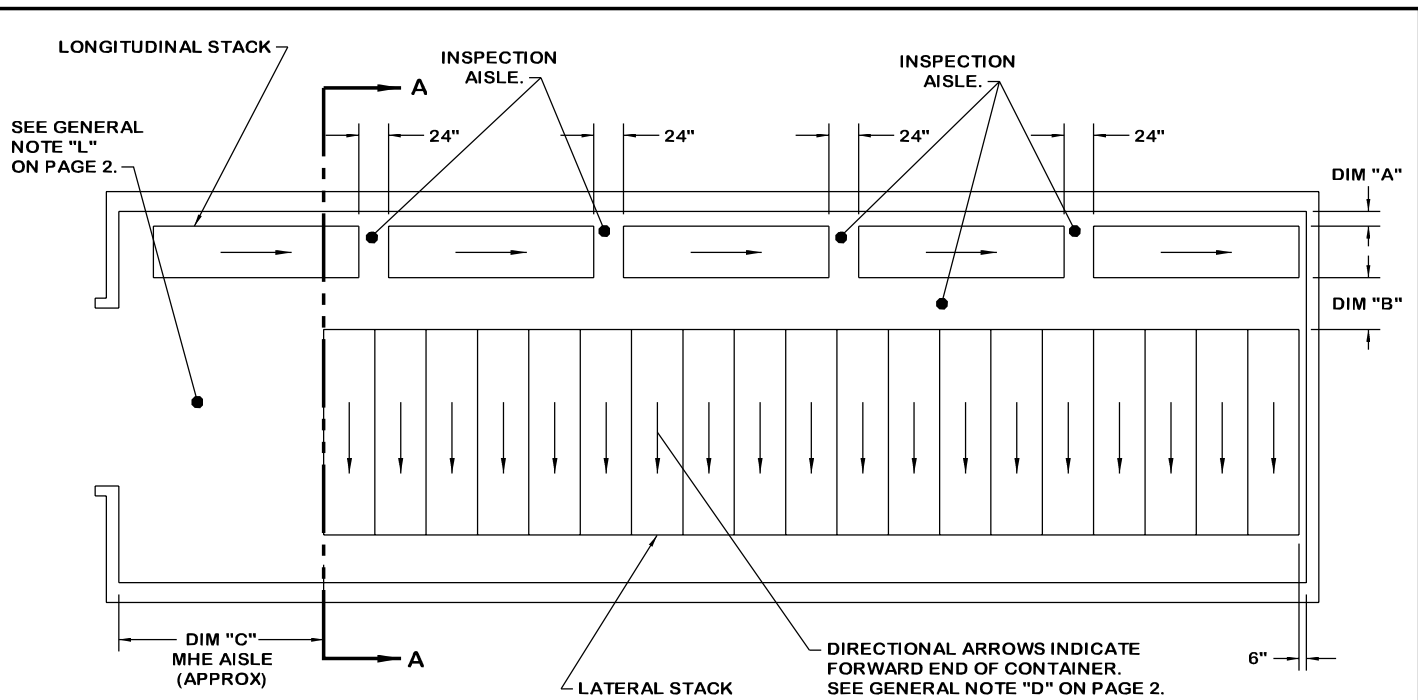
1. UPDATING DRAWING FORMAT.
2. REVISING GENERAL NOTES "G" AND "L" AND ADDING GENERAL NOTE "S" ON PAGE 2.
3. ADDING ALTERNATIVE STORAGE PROCEDURES ON PAGES 6 AND 7 FOR INCREASED STORAGE IN 81'-0", 60'-8" AND 40'-4" L X 26'-6" W X 12'-9" H IGLOO MAGAZINES AND CHANGING SUBSEQUENT PAGE NUMBERS ACCORDINGLY.

REVISION NO. 2, DATED MAY 2004, CONSISTS OF:

1. ADDING "GROSS WEIGHT, DIMENSIONS AND CUBE OF GUIDED MISSILE LAUNCHING ASSEMBLIES, ON PAGE 3, WHICH INCLUDES NEW WEIGHTS FOR THE M/LPA.
2. UPDATING THE DRAWING FORMAT.
3. REDESIGNING STORAGE LAYOUTS TO INCLUDE 24" INSPECTION AISLES AND THE MORE COMMON TYPE BLOCK IA AND II ATACMS ASSEMBLIES.

GROSS WEIGHT, DIMENSIONS, AND CUBE OF GUIDED MISSILE LAUNCHING ASSEMBLIES							
NSN	DODIC	TYPE	LENGTH	WIDTH	HEIGHT	WEIGHT (LBS)	CUBE (CU FT)
1427-00-000-0195	PL81	BLOCK I	13'-10"	41-1/2"	32-5/8"	5,105	129.7
1427-01-274-3904	PL81	BLOCK I	13'-10"	41-1/2"	32-5/8"	4,814	129.7
1427-01-386-3113	PL81	BLOCK I	13'-10"	41-1/2"	32-5/8"	5,111	129.7
1427-01-398-6538	PL38	BLOCK IA	13'-10"	41-1/2"	33-3/4"	4,640	134.6
1427-01-463-0001	PL38	BLOCK IA	13'-10"	41-1/2"	33-3/4"	4,640	134.6
1427-01-439-8639	PL47	BLOCK II	13'-10"	41-1/2"	33-3/4"	4,985	134.6
1427-01-481-1620	N/A	TACMS 2K	13'-10"	41-1/2"	33-3/4"	4,985	134.6
1427-01-480-8516	PL65	IA UNITARY	13'-10"	41-1/2"	33-3/4"	4,682	134.6

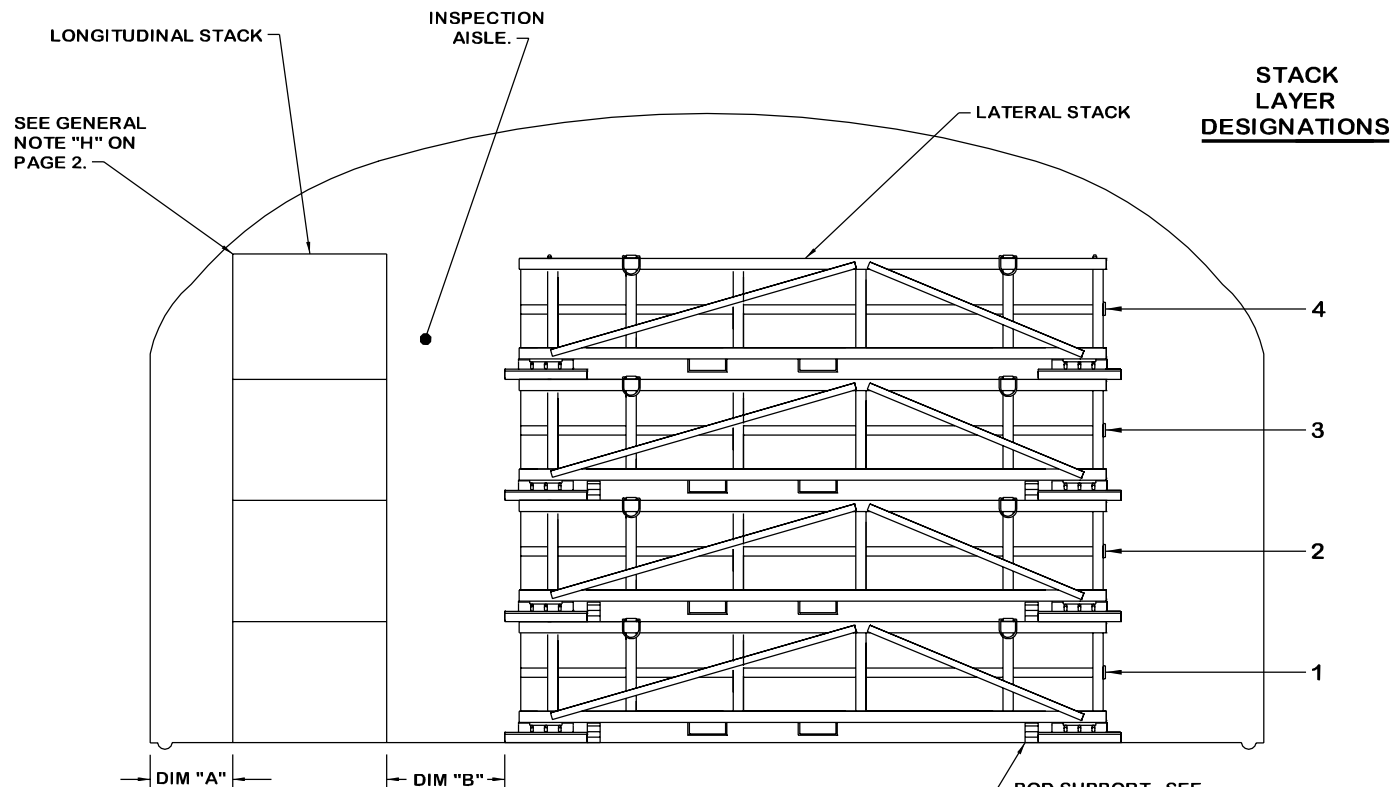




PLAN VIEW

(STRADLEY MAGAZINE SHOWN AS TYPICAL)

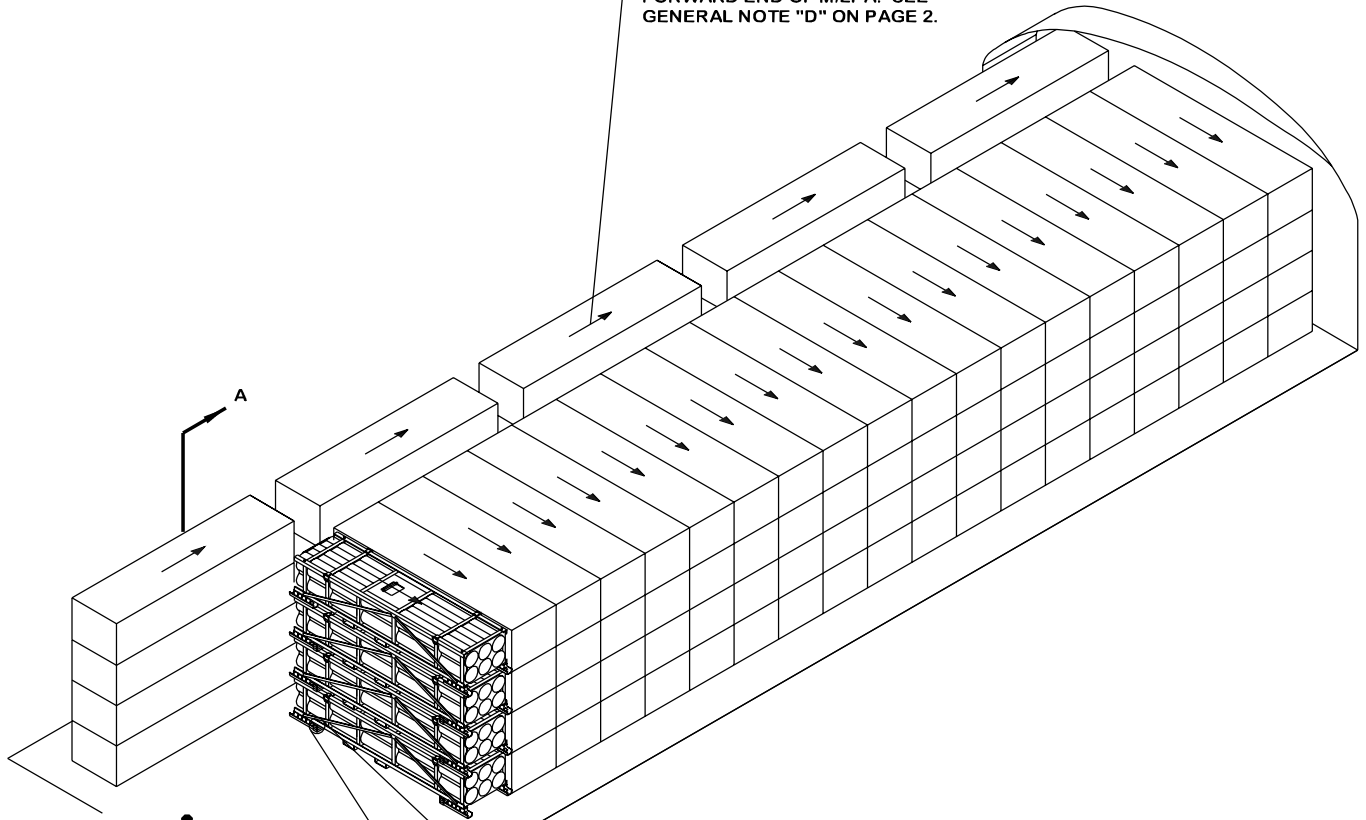
NOTE: FOR IDENTIFICATION OF LETTERED DIMENSIONS REFER TO CHART 1 ON PAGE 6.



SECTION A-A

(STRADLEY MAGAZINE SHOWN AS TYPICAL)
 (SEE "CHART 1 - DIMENSIONS" AND "CHART 2 - STACK CONFIGURATION" ON PAGE 6)

DIRECTIONAL ARROWS INDICATE FORWARD END OF M/LPA. SEE GENERAL NOTE "D" ON PAGE 2.



SEE GENERAL NOTE "L" ON PAGE 2.

ISOMETRIC VIEW

(SEE "CHART 1 - DIMENSIONS" AND "CHART 2 - STACK CONFIGURATION" ON PAGE 6)

POD SUPPORT. SEE GENERAL NOTE "U" ON PAGE 2.

CHART 1 - DIMENSIONS

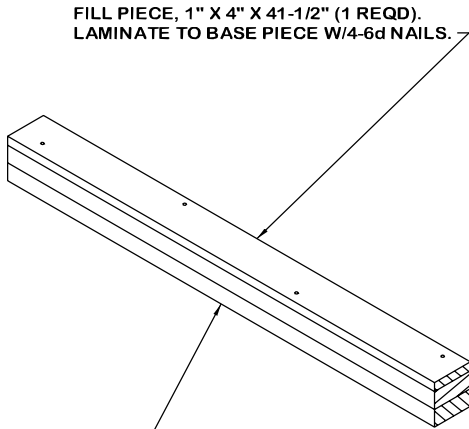
MAGAZINE DIMENSIONS	MAGAZINE TYPE													
	IGLOO			26'-6"	ARCH 12' 25'-0"	ARCH 11'		ARCH 10'		OVAL ARCH	STRADLEY	STEEL ARCH		
LENGTH	40'-4"	60'-8"	81'-0"	81'-2"	40'-0"	80'-0"	40'-0"	80'-0"	40'-0"	80'-0"	89'-0"	80'-0"	59'-0"	89'-0"
WIDTH		26'-6"		26'-6"	25'-0"	25'-0"		25'-0"		25'-0"	24'-10"	25'-0"	25'-0"	24'-11"
HEIGHT		12'-9"			12'-1-3/4"		11'-0"		11'-0"		14'-5"	14'-0"	13'-10"	13'-6"
DIMENSIONS	CONTAINER SPACING DIMENSIONS													
DIM "A"	30"			18"	18"	18"	18"	18"	30"	32"	18"	18"		
DIM "B" (INSPECT. AISLE)	24"			24"	24"	24"	24"	24"	24"	24"	24"	24"	24"	24"
DIM "C" (MHE AISLE)	12'-2"	11'-9"	11'-4"	10'-10"	11'-10"	13'-9"	11'-2"	13'-1"	11'-10"	13'-9"	12'-5"	13'-10"	13'-6"	12'-5"

CHART 2 - STACK CONFIGURATION

QUANTITY PER MAGAZINE	MAGAZINE TYPE													
	40'-4"L	IGLOO		ARCH 12' 26'-6"W	ARCH 12' X 25' W		ARCH 11'		ARCH 10'		OVAL ARCH	STRADLEY	STEEL ARCH	
	28	50	70	65	28	67	18	43	18	43	108	96	45	76
LONGITUDINAL STACK CONFIGURATION														
LAYERS PER STACK	2			1	2		1		1		4	4	2	2
NUMBER OF STACKS	2	4	5	5	2	5	2	5	2	5	5	5	3	5
STACK TOTAL	4	8	10	5	4	10	2	5	2	5	20	20	6	10
LATERAL STACK CONFIGURATION														
LAYERS PER STACK	3			3	3		2		2		4	4	3	3
NUMBER OF STACKS	8	14	20	20	8	19	8	19	8	19	22	19	13	22
STACK TOTAL	24	42	60	60	24	57	16	38	16	38	88	76	39	66

CHART 3 - BILL OF MATERIAL

MAGAZINE DIMENSIONS	MAGAZINE TYPE													
	IGLOO			ARCH 12' 25' -0"		ARCH 11'		ARCH 10'		OVAL ARCH	STRADLEY	STEEL ARCH		
LENGTH	40' -4"	60' -8"	81' -0"	81' -2"	40' -0"	80' -0"	40' -0"	80' -0"	40' -0"	80' -0"	89' -0"	80' -0"	59' -0"	89' -0"
WIDTH		26' -6"		26' -6"	25' -0"	25' -0"	25' -0"	25' -0"	25' -0"	25' -0"	24' -10"	25' -0"	25' -0"	24' -11"
HEIGHT		12' -9"		12' -1-3/4"			11' -0"		11' -0"		14' -5"	14' -0"	13' -10"	13' -6"
POD SUPPORT QUANTITIES - BASED ON "CHART 2 - STACK CONFIGURATION" ON PAGE 6														
	36	64	90	80	36	86	16	36	16	36	162	144	48	98
DESCRIPTION	MATERIAL QUANTITIES FOR ATACMS BLOCK I													
2" X 4" LINEAR FEET	249'	443'	623'	554'	249'	595'	111'	249'	111'	249'	1121'	996'	332'	678'
BOARD FEET	166'	296'	415'	369'	166'	397'	74'	166'	74'	166'	747'	664'	222'	452'
1" X 4" LINEAR FEET	125'	222'	312'	277'	125'	298'	56'	125'	56'	125'	561'	498'	166'	339'
BOARD FEET	42'	74'	104'	93'	42'	100'	19'	42'	19'	42'	187'	166'	56'	113'
6d NAILS	144	256	360	320	144	344	64	144	64	144	648	579	192	392
10d NAILS														
DESCRIPTION	MATERIAL QUANTITIES FOR ATACMS BLOCK IA AND II													
2" X 4" LINEAR FEET	374'	664'	934'	830'	374'	893'	166'	374'	166'	374'	1681'	1494'	498'	1017'
BOARD FEET	249'	443'	623'	554'	249'	595'	111'	249'	111'	249'	1121'	996'	332'	678'
1" X 4" LINEAR FEET	125'	222'	312'	277'	125'	298'	56'	125'	56'	125'	561'	498'	166'	339'
BOARD FEET	42'	74'	104'	93'	42'	100'	19'	42'	19'	42'	187'	166'	56'	113'
6d NAILS	144	256	360	320	144	344	64	144	64	144	648	579	192	392
10d NAILS	288	512	720	640	288	688	128	288	128	288	1296	1152	384	784

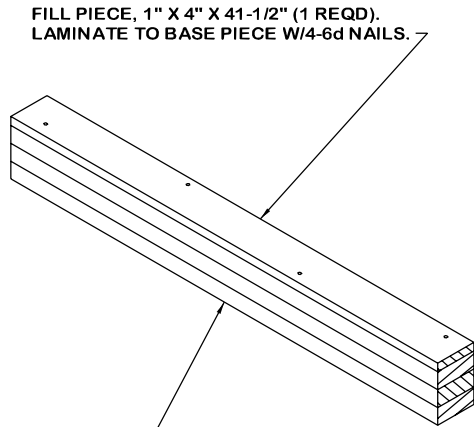


FILL PIECE, 1" X 4" X 41-1/2" (1 REQD).
LAMINATE TO BASE PIECE W/4-6d NAILS.

BASE, 2" X 4" X 41-1/2" (2 REQD). LAMINATE
THE SECOND PIECE TO THE FIRST PIECE W/4-10d.

POD SUPPORT FOR ATACMS BLOCK I

SEE GENERAL NOTE "U" ON PAGE 2.



FILL PIECE, 1" X 4" X 41-1/2" (1 REQD).
LAMINATE TO BASE PIECE W/4-6d NAILS.

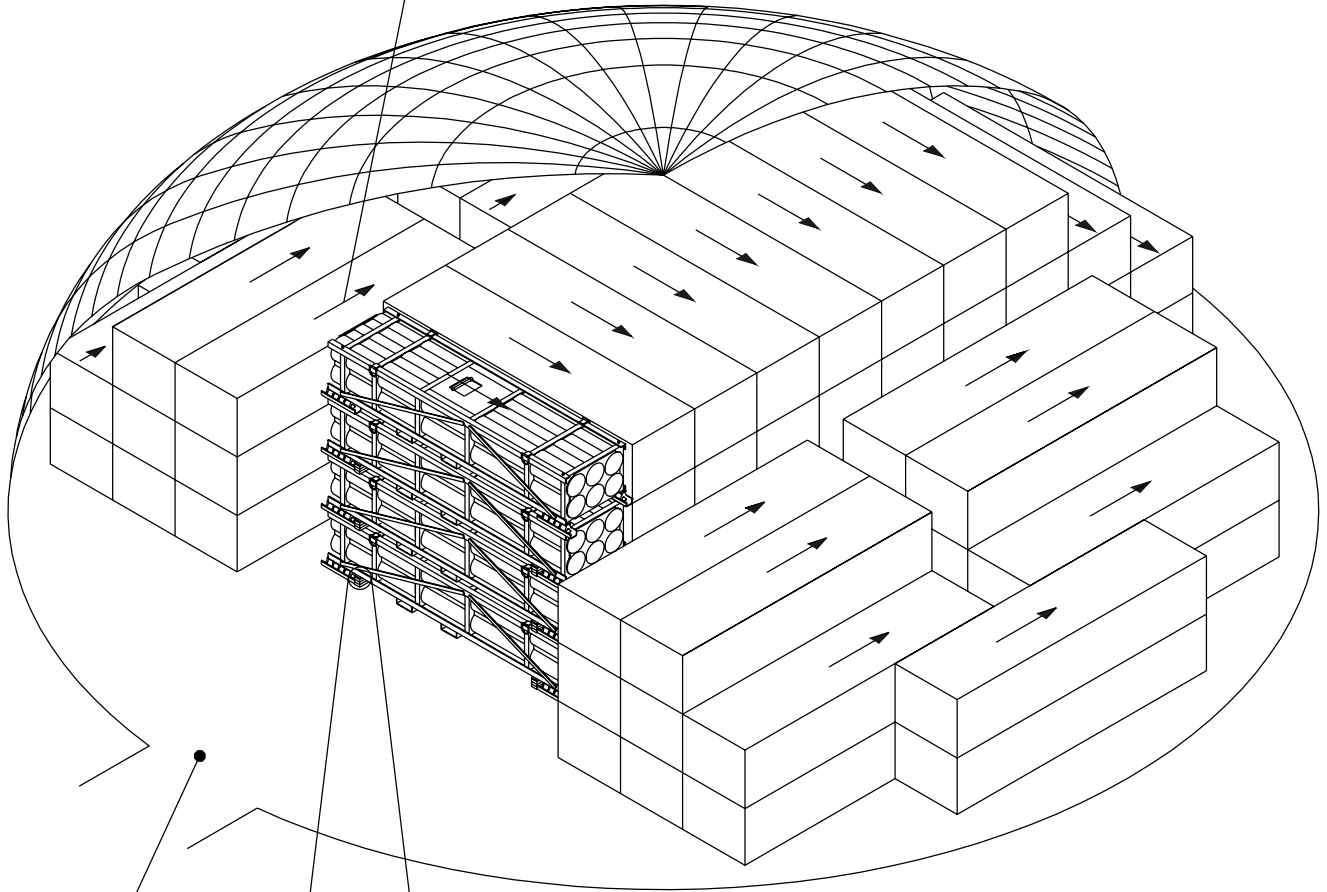
BASE, 2" X 4" X 41-1/2" (3 REQD). LAMINATE
THE SECOND AND THIRD PIECES TO THE
PREVIOUS PIECE W/4-10d.

POD SUPPORT FOR ATACMS BLOCK IA AND II

SEE GENERAL NOTE "U" ON PAGE 2.

NOTE: FOR STABILITY PURPOSES IT IS DESIRED THAT THE SKID OF A LOWER ASSEMBLY SUPPORT A PORTION OF THE WEIGHT OF THE ASSEMBLIES ABOVE. THE THICKNESS MAY BE REDUCED BY SUBSTITUTING 5/8" OR THINNER BY 3-1/2" PLYWOOD FOR THE 1" X 4" FILL PIECE. THE THICKNESS MAY BE INCREASED BY ADDING A 1/4" OR THICKER BY 3-1/2" WIDE PLYWOOD PIECE.

DIRECTIONAL ARROWS INDICATE FORWARD END OF M/LPA. SEE GENERAL NOTE "D" ON PAGE 2.



SEE GENERAL NOTE "L" ON PAGE 2.

POD SUPPORT (66 REQD FOR THE 44'-7" CORBETTA, 98 REQD FOR THE 52'-0" CORBETTA). SEE GENERAL NOTE "U" ON PAGE 2.

ISOMETRIC VIEW

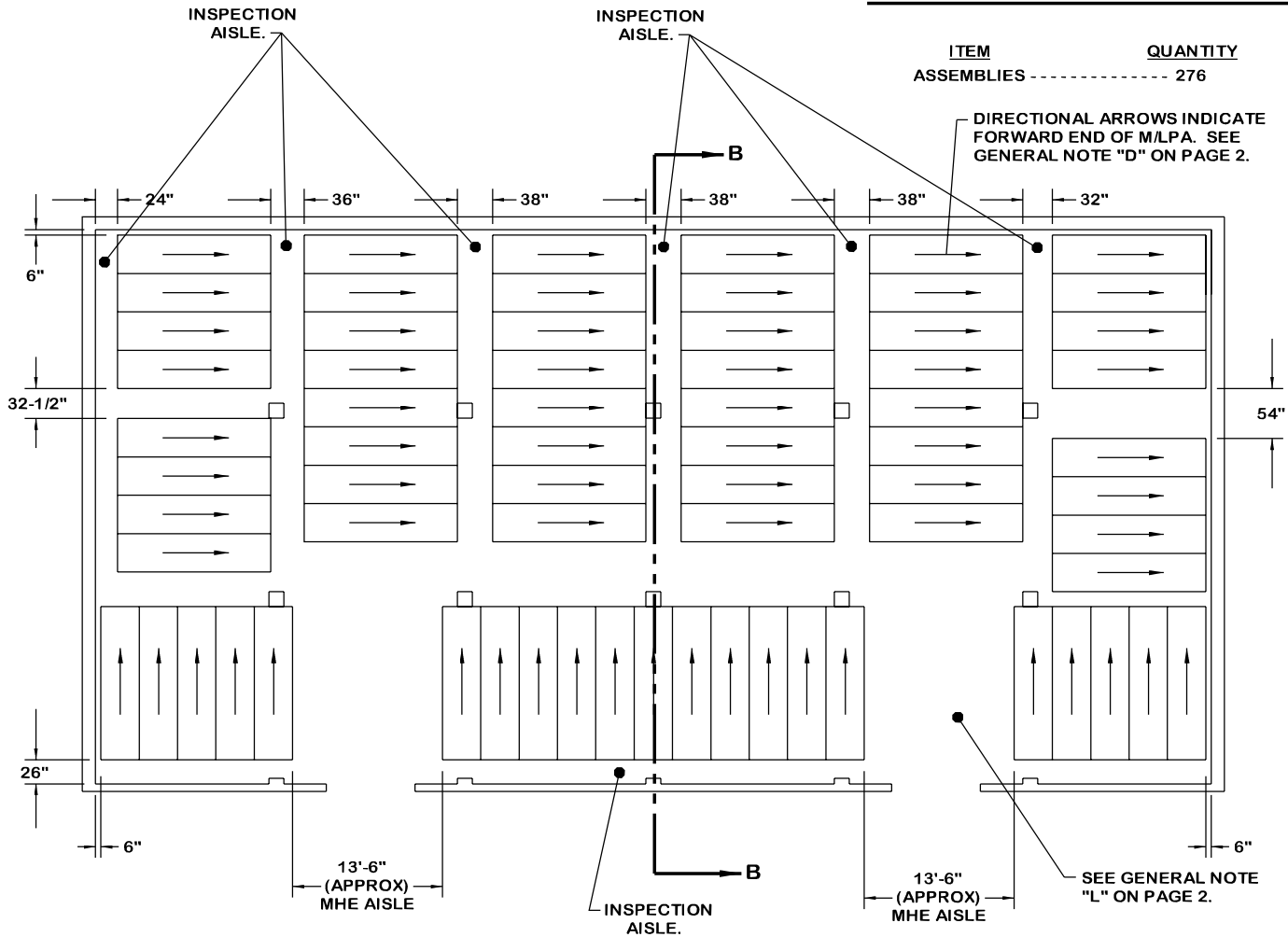
(52'-0" DIA MAGAZINE)

BILL OF MATERIAL - 44'-7" CORBETTA		
66 POD SUPPORTS ATACMS BLOCK I		
LUMBER	LINEAR FEET	BOARD FEET
1" X 4"	229	77
2" X 4"	457	305
NAILS	NO. REQD	POUNDS
6d (2")	264	2
10d (3")	264	5
ATACMS BLOCK IA AND II		
LUMBER	LINEAR FEET	BOARD FEET
1" X 4"	229	77
2" X 4"	685	457
NAILS	NO. REQD	POUNDS
6d (2")	264	2
10d (3")	528	9

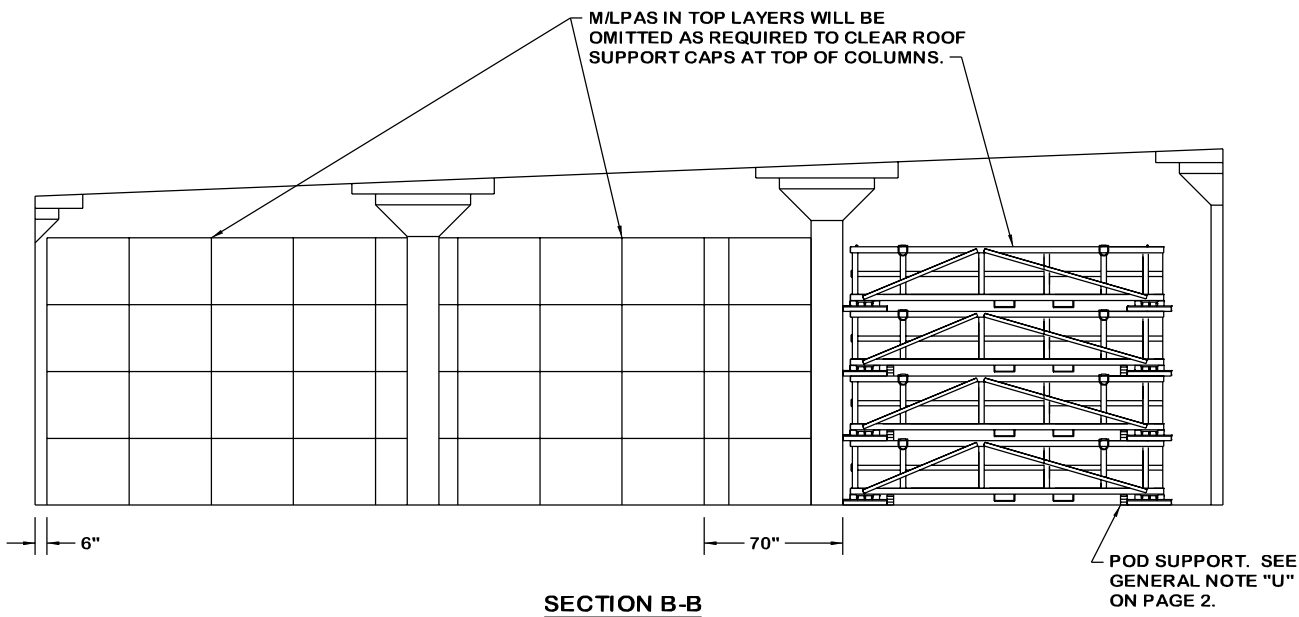
BILL OF MATERIAL - 52'-0" CORBETTA		
98 POD SUPPORTS ATACMS BLOCK I		
LUMBER	LINEAR FEET	BOARD FEET
1" X 4"	339	113
2" X 4"	678	452
NAILS	NO. REQD	POUNDS
6d (2")	392	3
10d (3")	392	7
ATACMS BLOCK IA AND II		
LUMBER	LINEAR FEET	BOARD FEET
1" X 4"	339	113
2" X 4"	1016	678
NAILS	NO. REQD	POUNDS
6d (2")	392	3
10d (3")	784	13

STORAGE PROCEDURES IN 52'-0" DIAMETER CORBETTA MAGAZINE

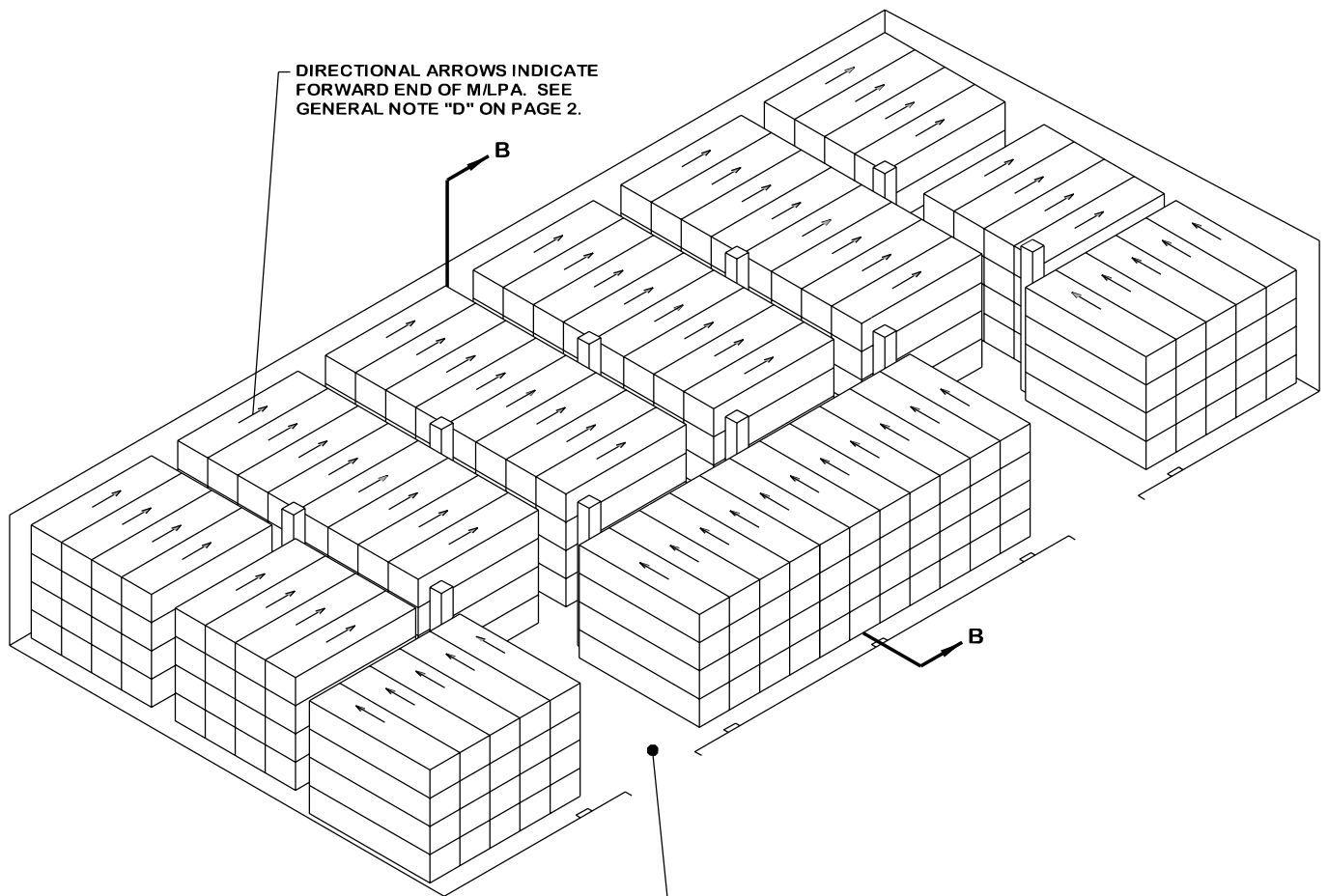
STORAGE IN 100'-8" X 50'-0" MAGAZINE



PLAN VIEW



SECTION B-B



ISOMETRIC VIEW

BILL OF MATERIAL ATACMS BLOCK I - 414 POD SUPPORTS		
LUMBER	LINEAR FEET	BOARD FEET
1" X 4"	1432	478
2" X 4"	2864	1909
NAILS	NO. REQD	POUNDS
6d (2")	1656	10
10d (3")	1656	25

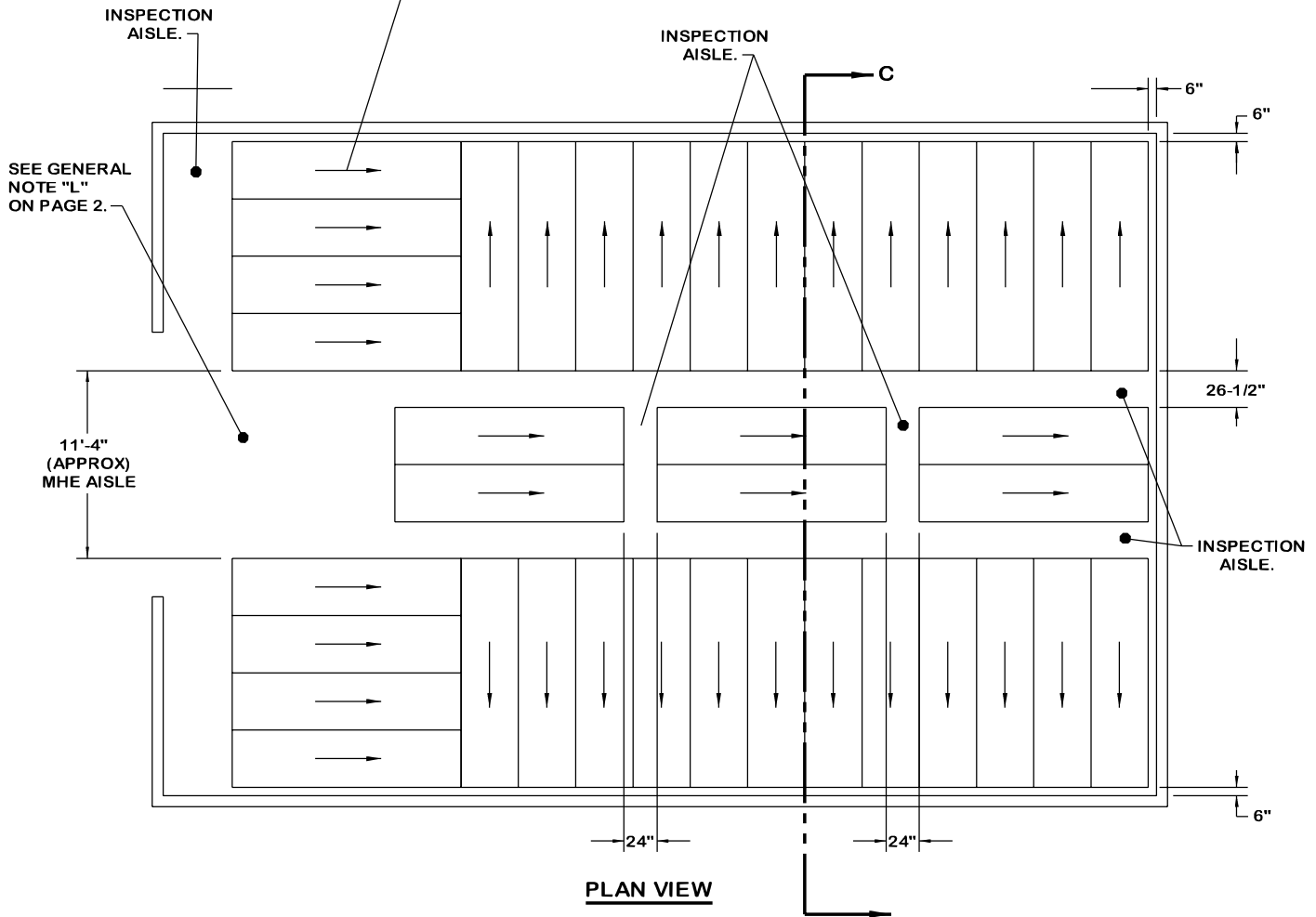
BILL OF MATERIAL ATACMS BLOCK IA AND II - 414 POD SUPPORTS		
LUMBER	LINEAR FEET	BOARD FEET
1" X 4"	1432	478
2" X 4"	4296	2864
NAILS	NO. REQD	POUNDS
6d (2")	1656	10
10d (3")	3312	51

STORAGE PROCEDURES IN 100'-0" L X 50'-0" W RECTANGULAR MAGAZINE

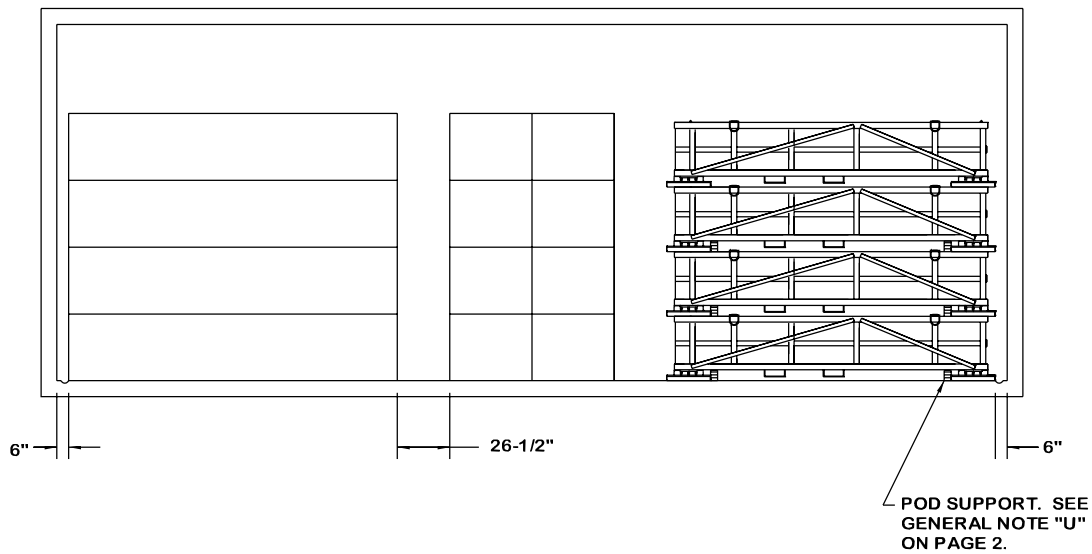
**STORAGE IN 60'-0" X 40'-0"
TYPE II BUNKER MAGAZINE**

ITEM	QUANTITY
ASSEMBLY -----	152

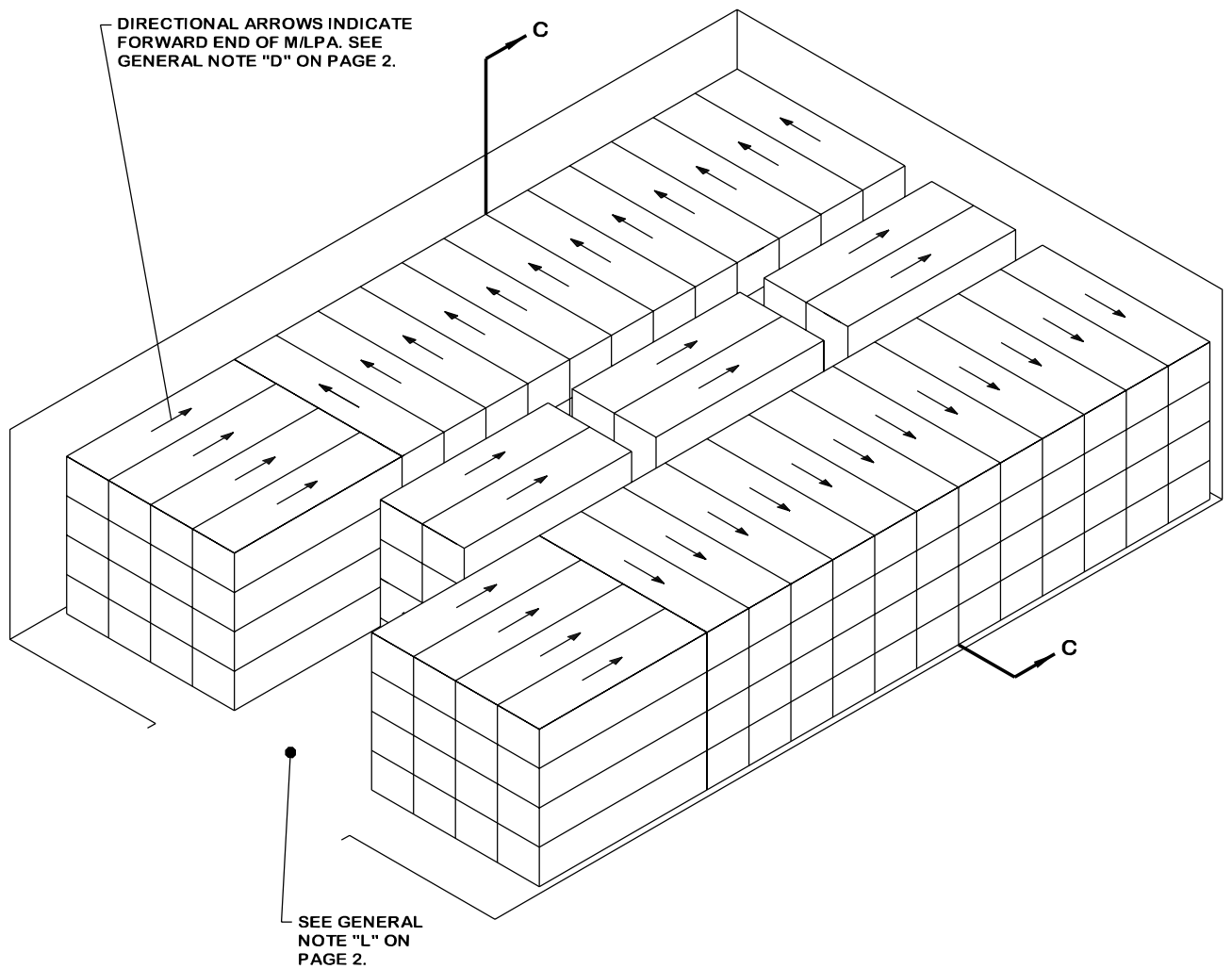
DIRECTIONAL ARROWS INDICATE FORWARD END OF M/LPA. SEE GENERAL NOTE "D" ON PAGE 2.



PLAN VIEW



SECTION C-C



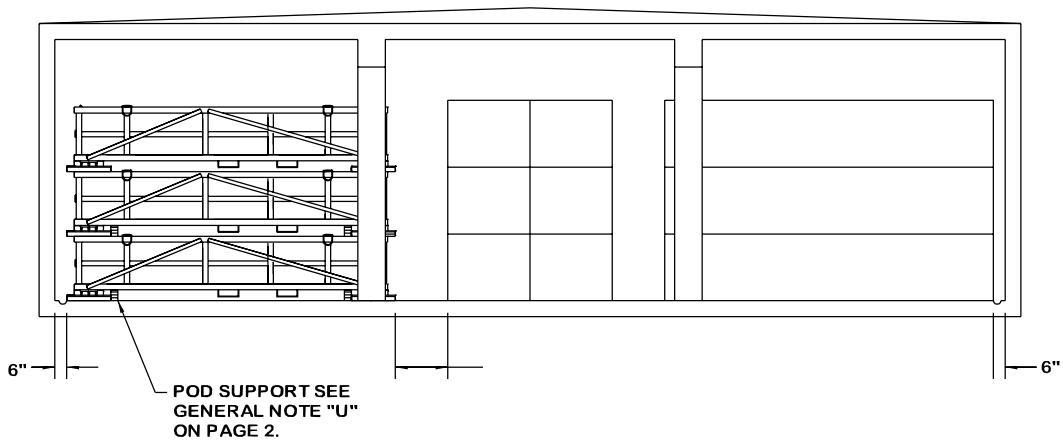
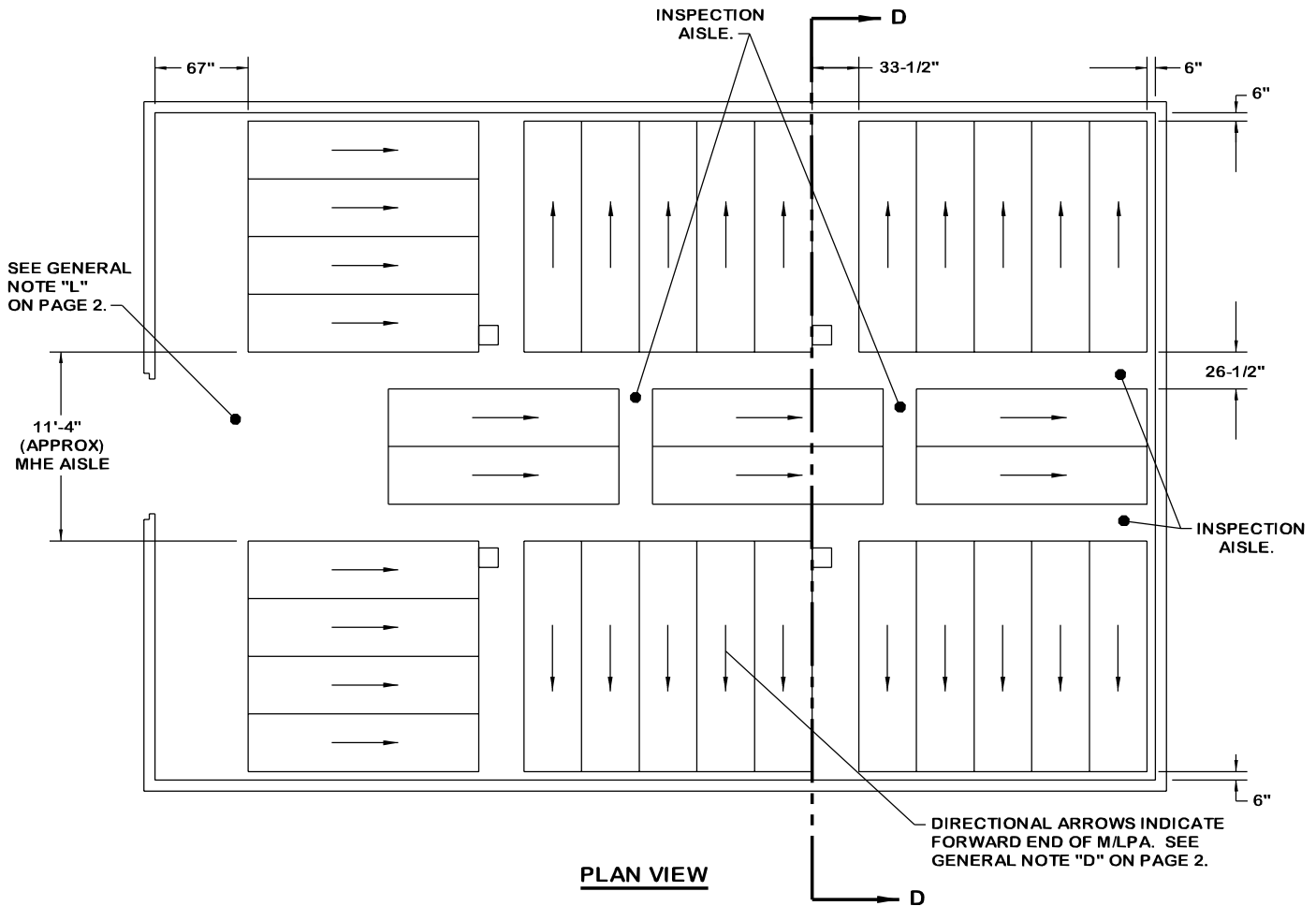
ISOMETRIC VIEW

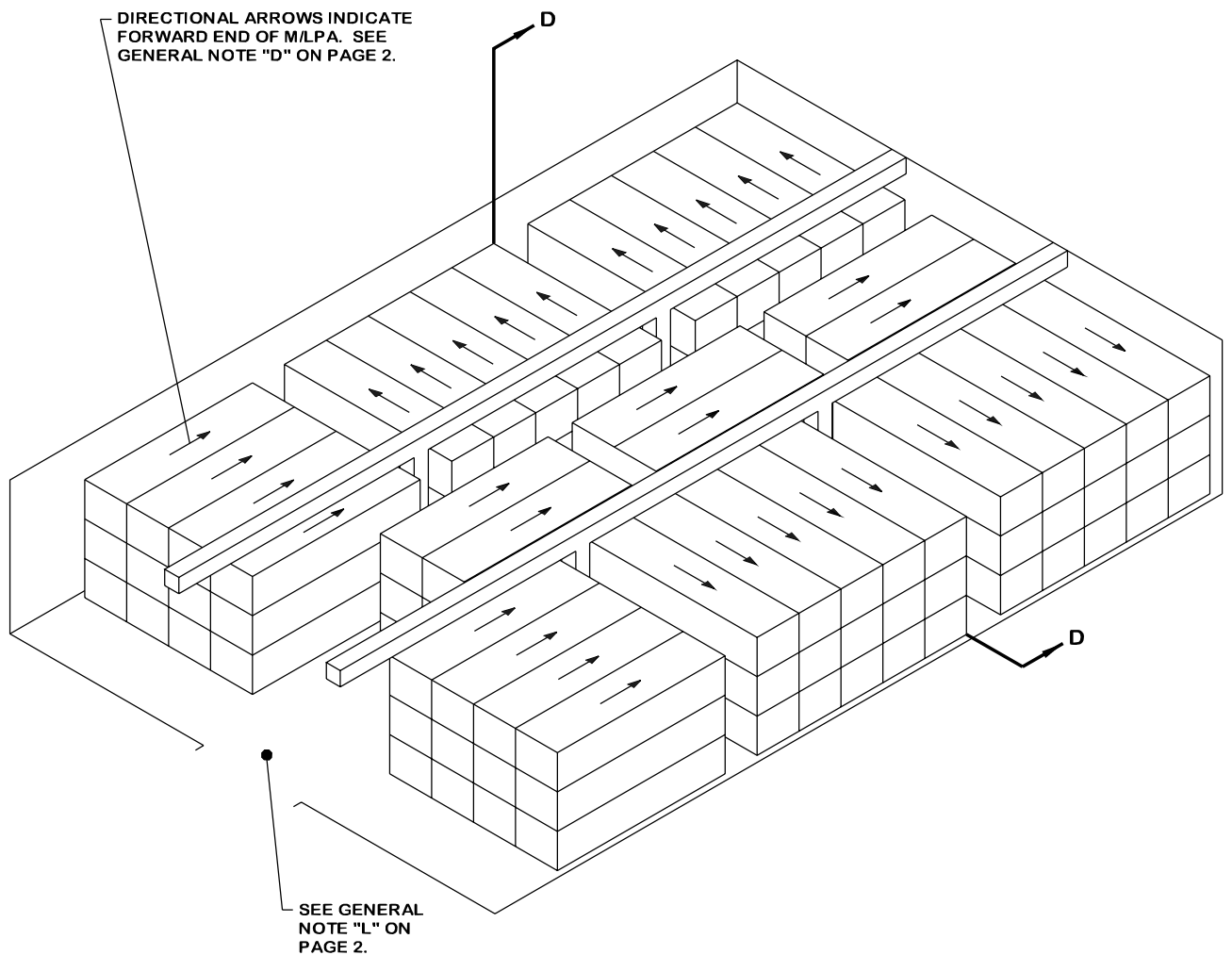
BILL OF MATERIAL ATACMS BLOCK I - 228 POD SUPPORTS		
LUMBER	LINEAR FEET	BOARD FEET
1" X 4"	789	263
2" X 4"	1577	1052
NAILS	NO. REQD	POUNDS
6d (2")	912	6
10d (3")	912	15

BILL OF MATERIAL ATACMS BLOCK IA AND II - 228 POD SUPPORTS		
LUMBER	LINEAR FEET	BOARD FEET
1" X 4"	789	263
2" X 4"	2366	1577
NAILS	NO. REQD	POUNDS
6d (2")	912	6
10d (3")	1824	29

**STORAGE IN 60'-0" X 40'-0"
TYPE III BUNKER MAGAZINE**

ITEM	QUANTITY
ASSEMBLY -----	102





ISOMETRIC VIEW

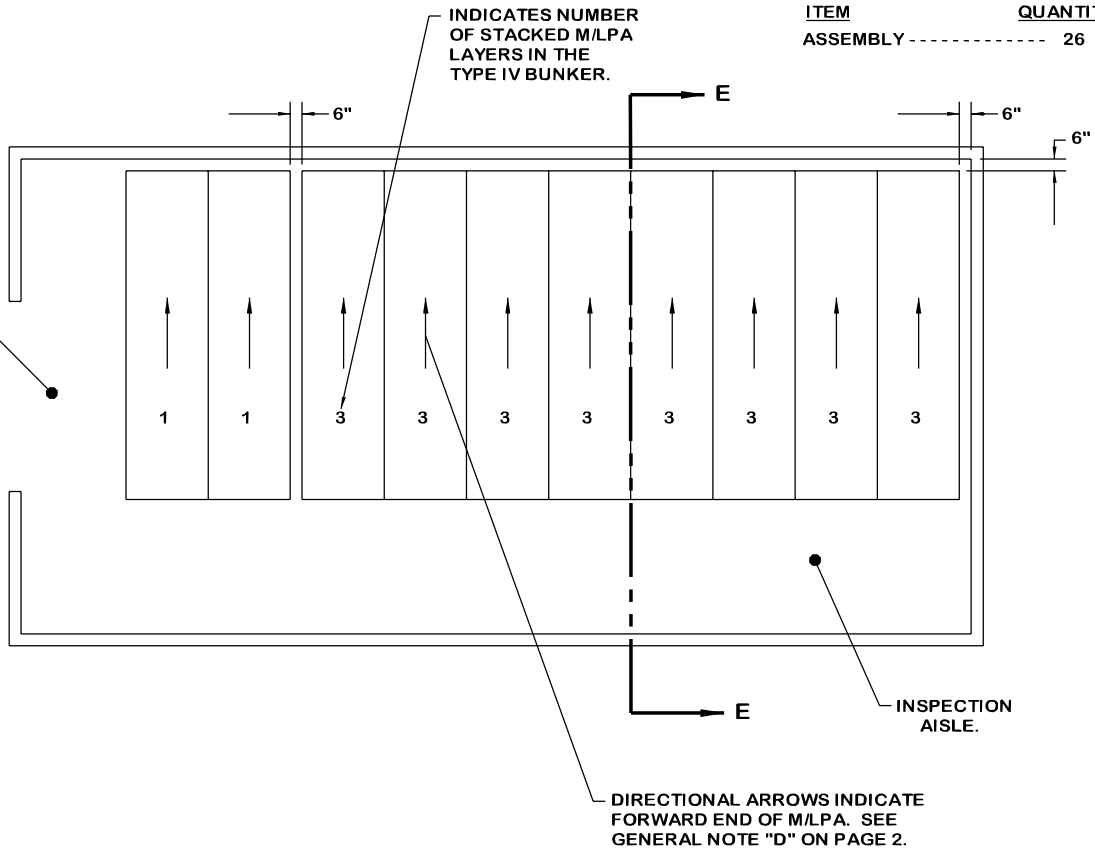
BILL OF MATERIAL ATACMS BLOCK I - 136 POD SUPPORTS		
LUMBER	LINEAR FEET	BOARD FEET
1" X 4"	471	157
2" X 4"	941	628
NAILS	NO. REQD	POUNDS
6d (2")	544	4
10d (3")	544	9

BILL OF MATERIAL ATACMS BLOCK IA AND II - 136 POD SUPPORTS		
LUMBER	LINEAR FEET	BOARD FEET
1" X 4"	471	157
2" X 4"	1411	941
NAILS	NO. REQD	POUNDS
6d (2")	544	4
10d (3")	1088	17

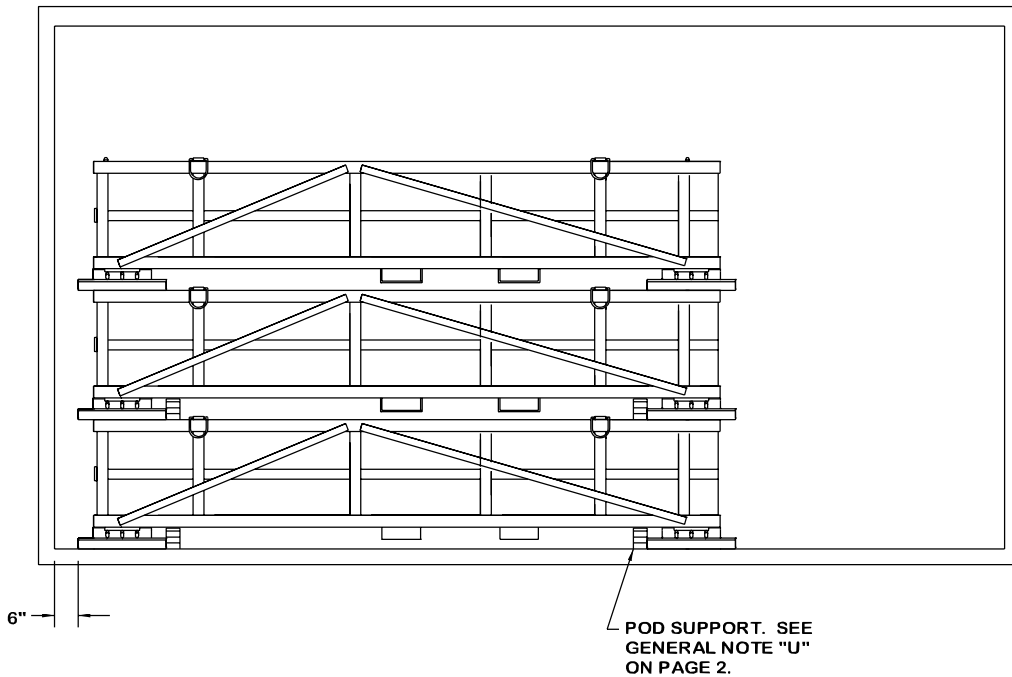
**STORAGE IN 40'-0" X 20'-0"
TYPE IV BUNKER MAGAZINE**

ITEM	QUANTITY
ASSEMBLY -----	26

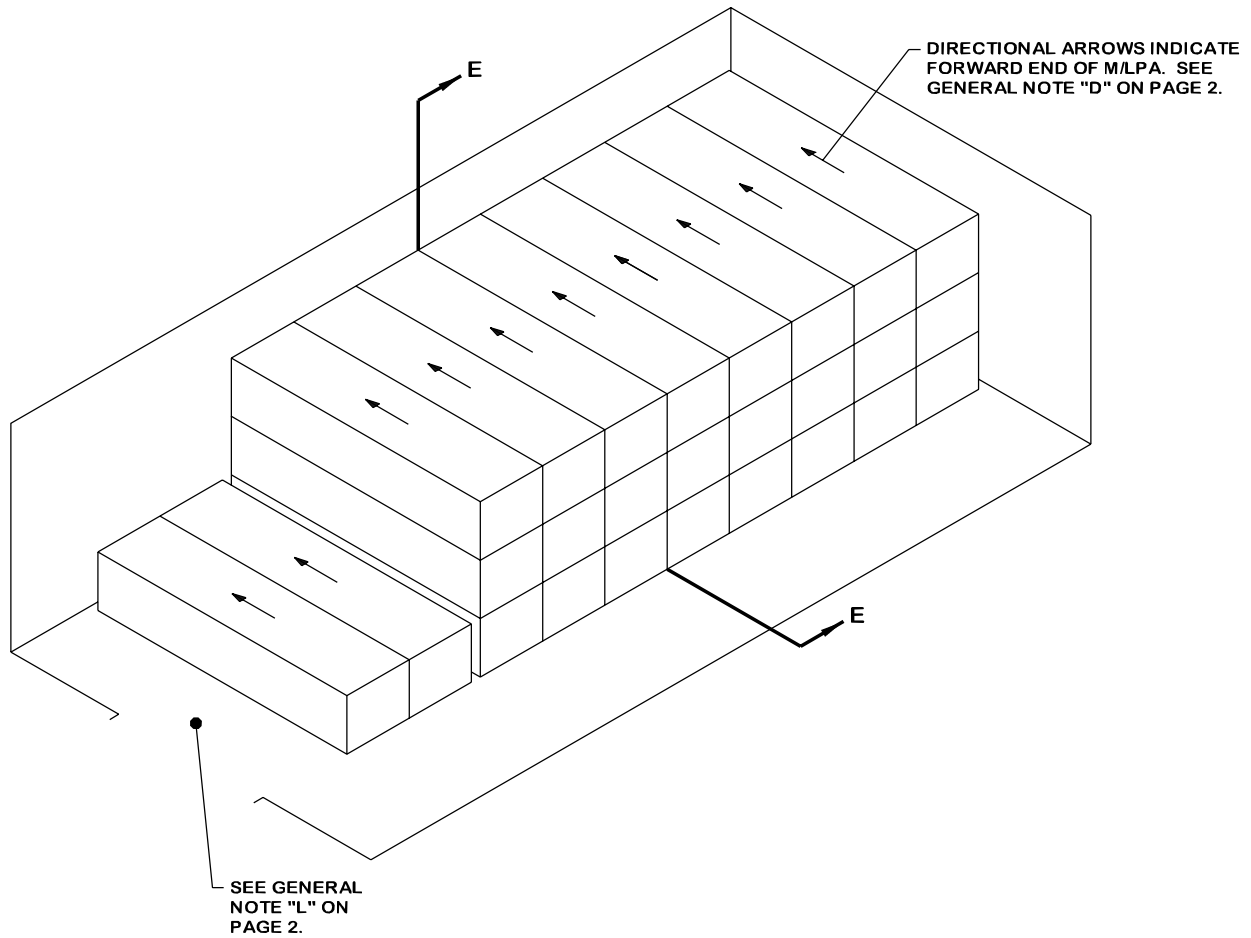
SEE GENERAL NOTE "L" ON PAGE 2.



PLAN VIEW



SECTION E-E



ISOMETRIC VIEW

BILL OF MATERIAL ATACMS BLOCK I - 32 POD SUPPORTS		
LUMBER	LINEAR FEET	BOARD FEET
1" X 4"	111	37
2" X 4"	222	148
NAILS	NO. REQD	POUNDS
6d (2")	128	1
10d (3")	256	2

BILL OF MATERIAL ATACMS BLOCK IA AND II - 32 POD SUPPORTS		
LUMBER	LINEAR FEET	BOARD FEET
1" X 4"	111	37
2" X 4"	332	222
NAILS	NO. REQD	POUNDS
6d (2")	128	1
10d (3")	256	4

