

LANCE

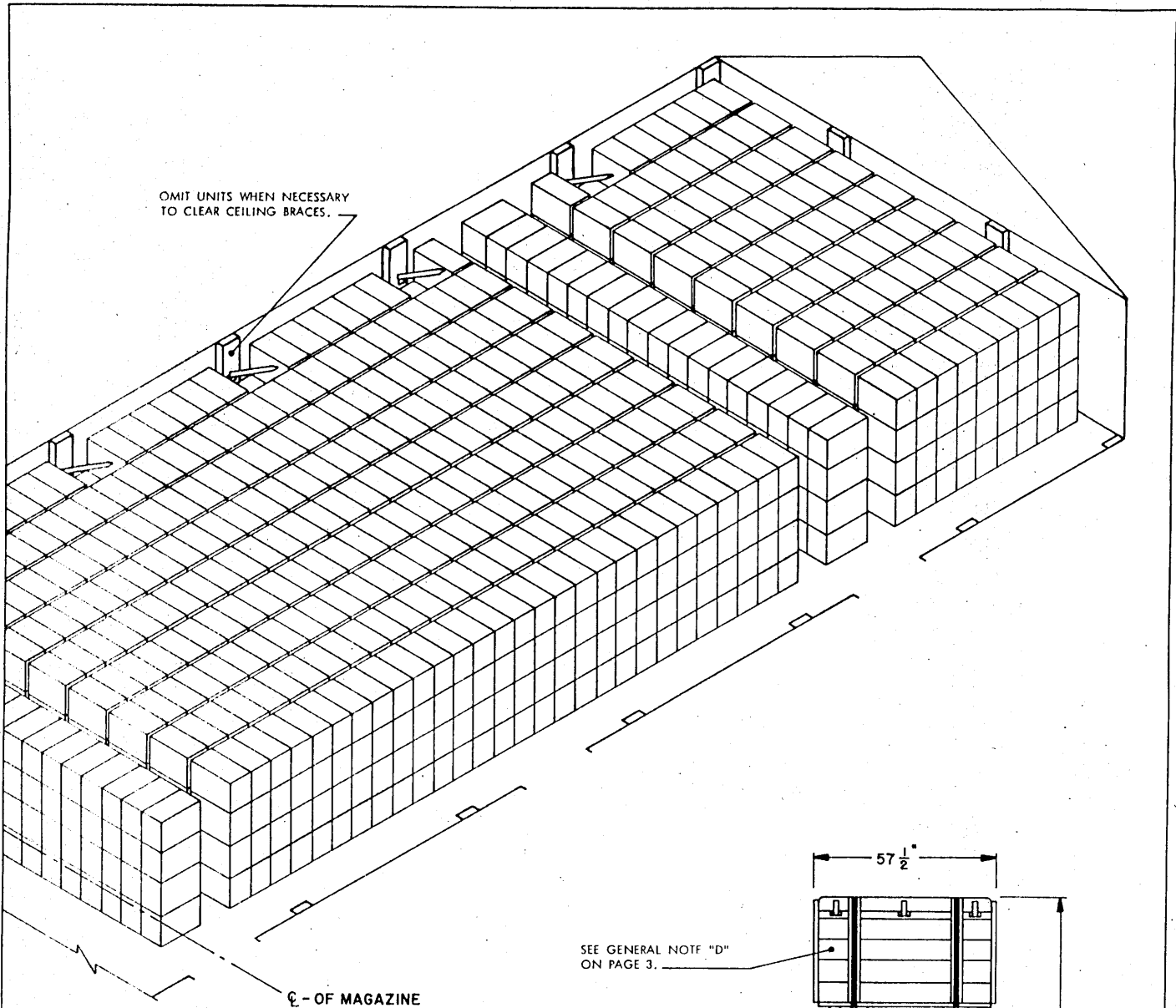
STORAGE IN STANDARD MAGAZINE OF CONTROL SURFACE, XM30 AND XM29, PACKED IN CONTAINER, XM596 AND XM597 (PALLETIZED AND UNPALLETIZED)

INDEX

<u>ITEM</u>	<u>PAGE(S)</u>
GENERAL NOTES, AND MATERIAL SPECIFICATIONS-----	3
XM596 CONTAINER (PALLETIZED)-----	2,3
XM597 CONTAINER (PALLETIZED)-----	4,5
XM596 CONTAINER (UNPALLETIZED)-----	6,7
XM597 CONTAINER (UNPALLETIZED)-----	8,9

DRAFTER <i>RSF</i>	PROJ ENG <i>MWZ/NEW</i>	AMSHI-CHMP <i>M.B.</i>	SUBMITTED <i>n r Dickson</i>
CHECKER <i>RSF</i>	AMC AMMO CTR <i>John Boyd</i>		COMMANDING OFFICER, SAVANNAH ARMY DEPOT
REVISIONS			APPROVED
			<i>Marie E. Johnson</i>
			ARMY MISSILE COMMAND APPROVED BY ORDER OF U. S. ARMY MATERIEL COMMAND <i>G. W. Keil</i>
			U. S. ARMY MATERIEL COMMAND
			FEBRUARY 1971
			CLASS DIVISION DRAWING FILE
			19 48 5210 GM2A22

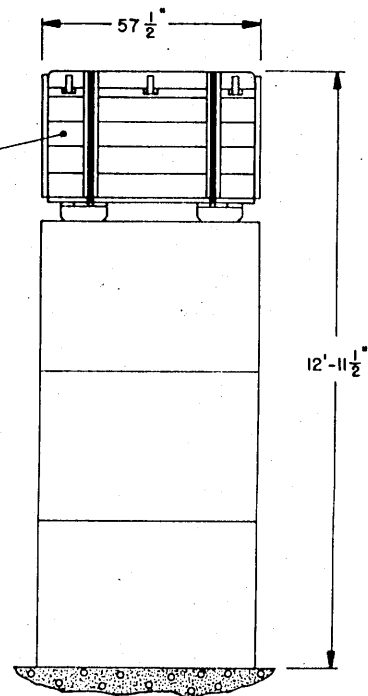
DO NOT SCALE



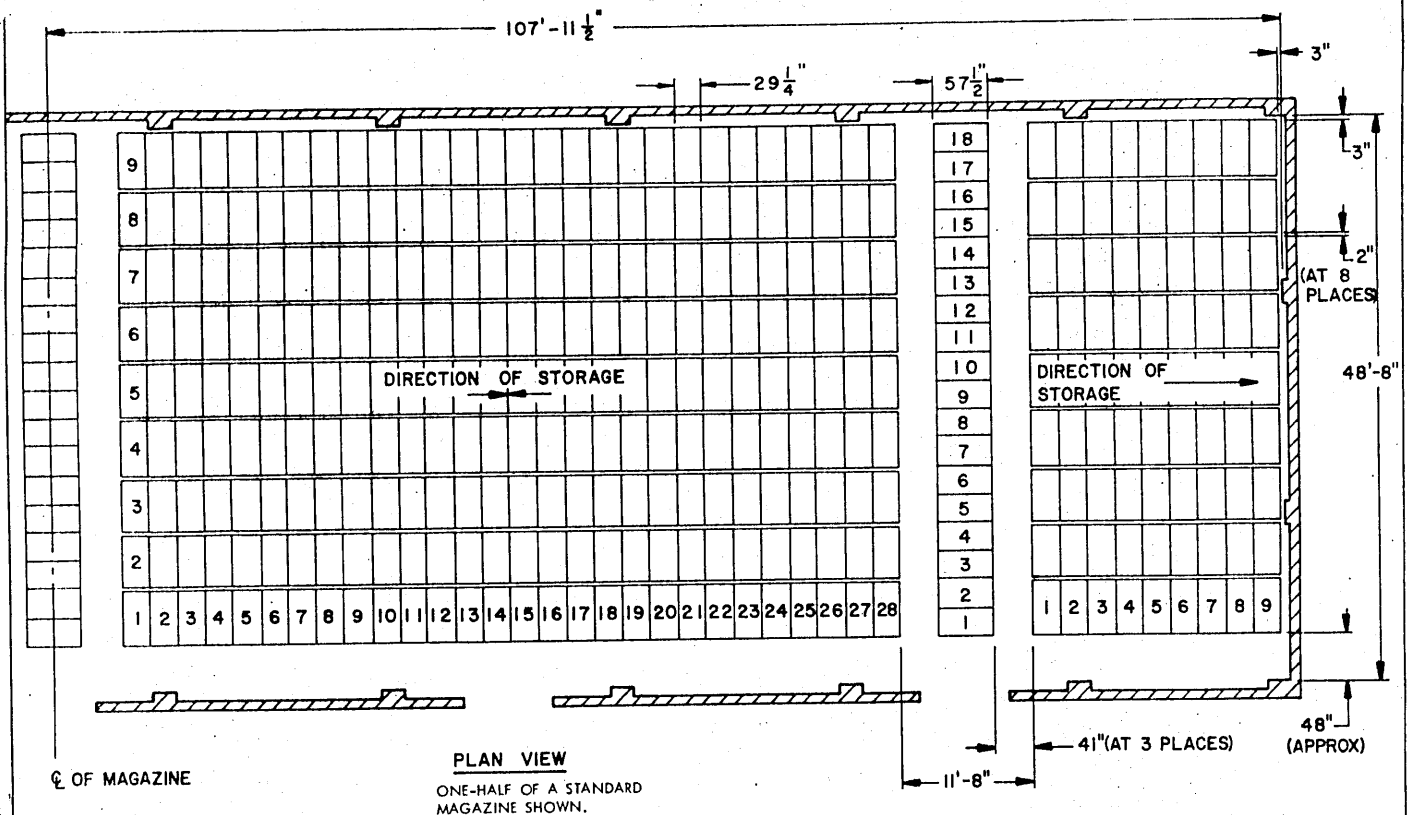
ISOMETRIC VIEW

ONE-HALF OF A STANDARD MAGAZINE SHOWN.

SEE GENERAL NOTE "D" ON PAGE 3.



TYPICAL STACK



☉ OF MAGAZINE

STORAGE AS SHOWN
ONE-HALF OF A STANDARD MAGAZINE

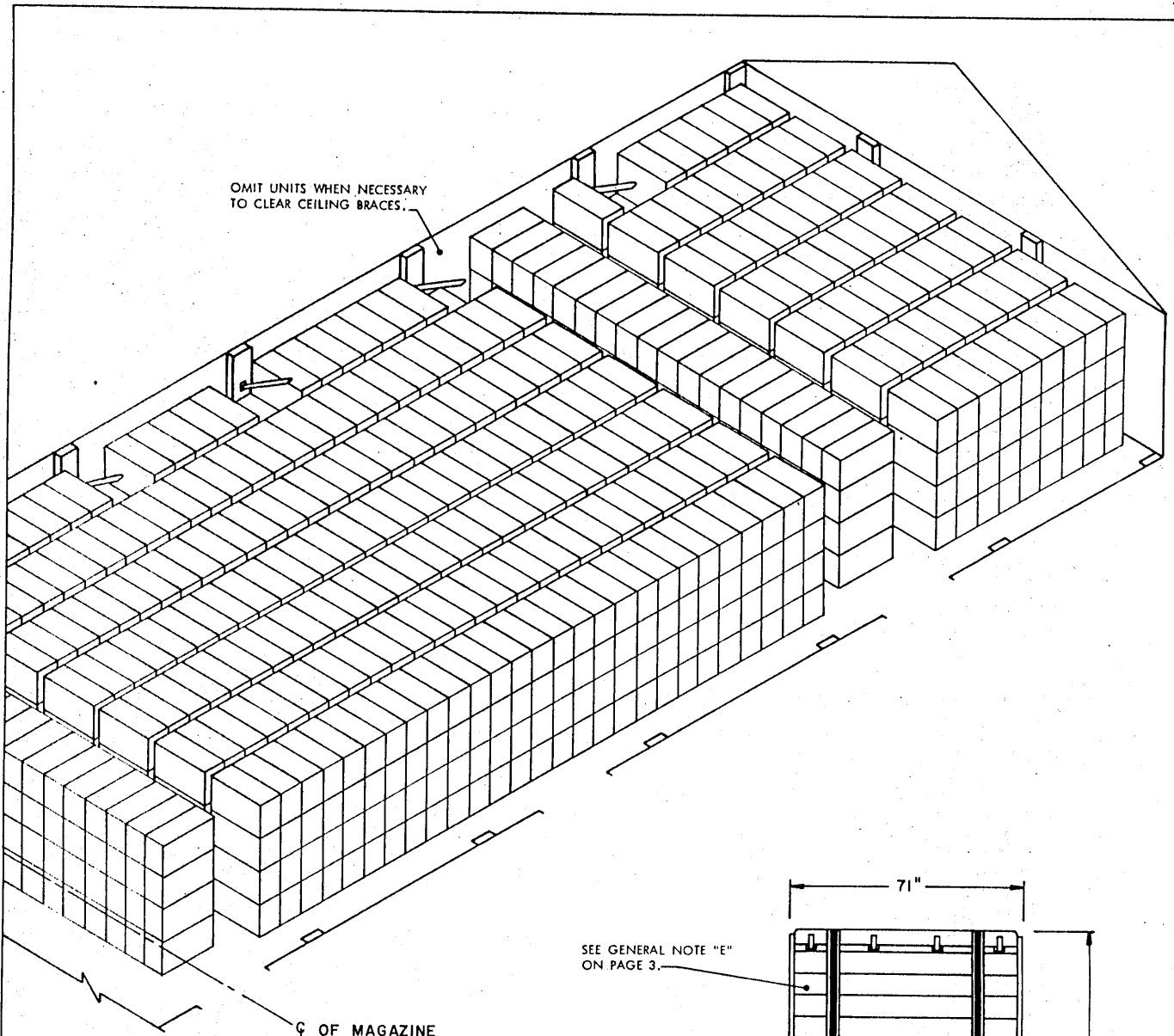
ITEM	QUANTITY
PALLETIZED UNITS	1,430
CONTAINERS	7,150

MATERIAL SPECIFICATIONS

LUMBER : SEE TM 743-200-1, DUNNAGE LUMBER; FED SPEC MM-L-751.

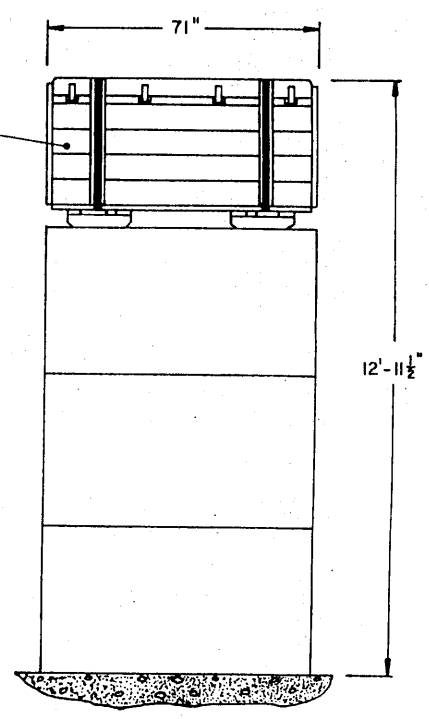
GENERAL NOTES

- A. THIS DOCUMENT HAS BEEN PREPARED AND ISSUED IN ACCORDANCE WITH AMCR 740-13, AND AUGMENTS TM 743-200-1 (CHAPTER 5).
- B. FOR DETAILS OF THE XM596 CONTAINER, SEE DRAWING NO. E710-59854.
CONTAINER DIMENSIONS --- 56" LONG BY 27-3/4" WIDE BY 6-3/4" HIGH.
GROSS WEIGHT ----- 96 POUNDS (APPROX).
SEE PAGES 6 AND 7 FOR APPLICABLE STORAGE PROCEDURES.
- C. FOR DETAILS OF THE XM597 CONTAINER, SEE DRAWING NO. E710-59853.
CONTAINER DIMENSIONS --- 69-1/2" LONG BY 27-3/4" WIDE BY 6-3/4" HIGH.
GROSS WEIGHT ----- 115 POUNDS (APPROX).
SEE PAGES 8 AND 9 FOR APPLICABLE STORAGE PROCEDURES.
- D. FOR DETAILS OF THE XM596 CONTAINER PALLET UNIT, SEE PAGES 2 AND 3 OF U. S. ARMY MATERIEL COMMAND DRAWING NO. 19-48-5236-GM20PB.
PALLET UNIT DIMENSIONS -- 57-1/2" LONG BY 29-1/4" WIDE BY 38-7/8" HIGH.
GROSS WEIGHT ----- 565.5 POUNDS (APPROX).
CUBE ----- 37.8 CUBIC FEET.
SEE PAGES 2 AND 3 FOR APPLICABLE STORAGE PROCEDURES.
- E. FOR DETAILS OF THE XM597 CONTAINER PALLET UNIT, SEE PAGES 4 AND 5 OF U. S. ARMY MATERIEL COMMAND DRAWING NO. 19-48-5236-GM20PB.
PALLET UNIT DIMENSIONS -- 71" LONG BY 29-1/4" WIDE BY 38-7/8" HIGH.
GROSS WEIGHT ----- 672 POUNDS (APPROX).
CUBE ----- 46.7 CUBIC FEET.
SEE PAGES 4 AND 5 FOR APPLICABLE STORAGE PROCEDURES.
- F. AISLE DIMENSIONS SHOWN IN THIS DRAWING MAY BE ADJUSTED TO SUIT THE LOCAL CONDITIONS AND/OR AVAILABLE MATERIALS HANDLING EQUIPMENT.
- G. STACKING OF UNPALLETIZED CONTAINERS IS LIMITED TO SIX (6) HIGH.
- H. 1" X 4" MATERIAL MAY BE USED FOR FLOOR DUNNAGE IN LIEU OF 4" X 4" MATERIAL IF CONTAINERS ARE TO BE HAND STACKED.

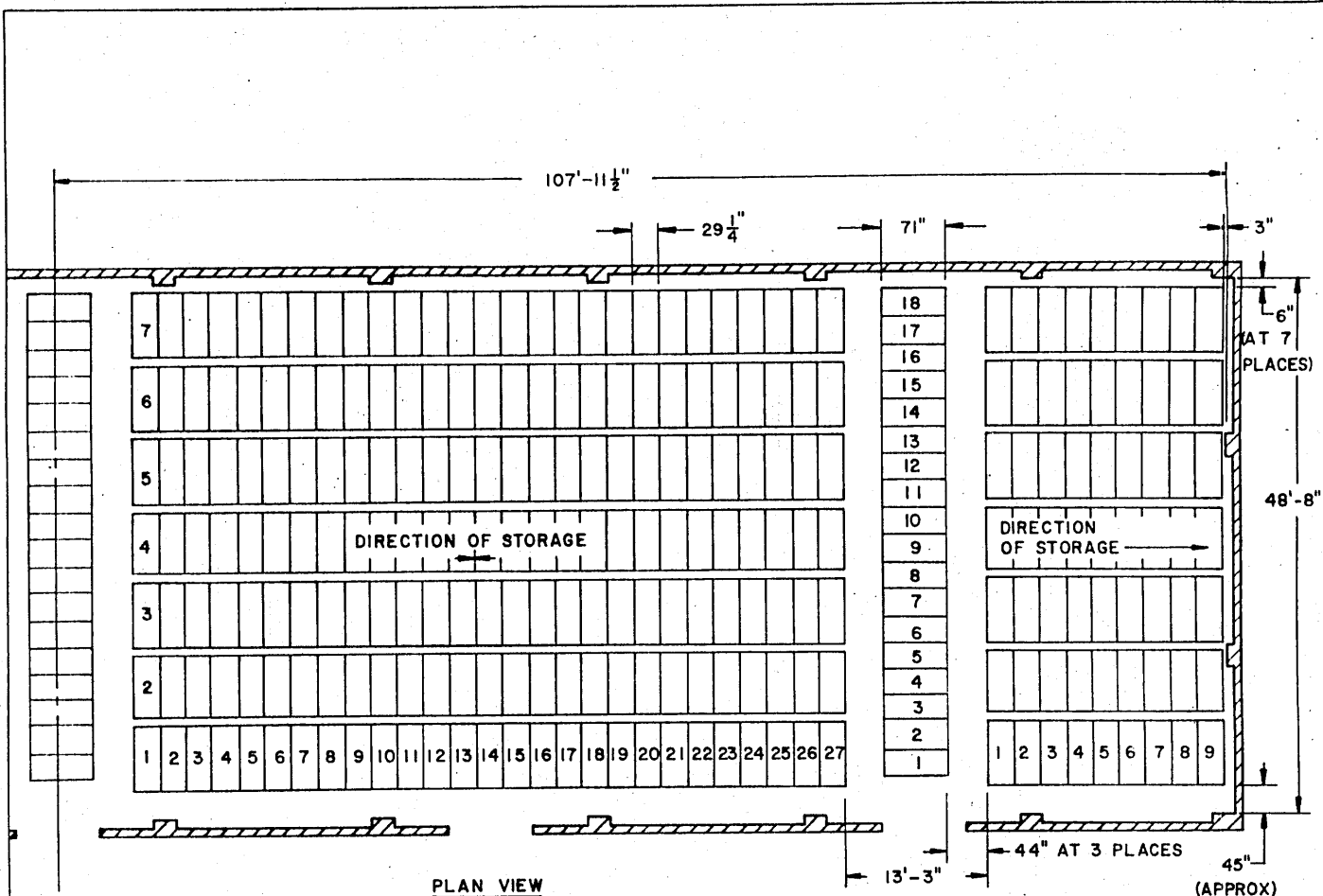


ISOMETRIC VIEW
 ONE-HALF OF A STANDARD MAGAZINE
 SHOWN.

SEE GENERAL NOTE "E"
 ON PAGE 3.



TYPICAL STACK



PLAN VIEW

ONE-HALF OF A STANDARD
MAGAZINE SHOWN.

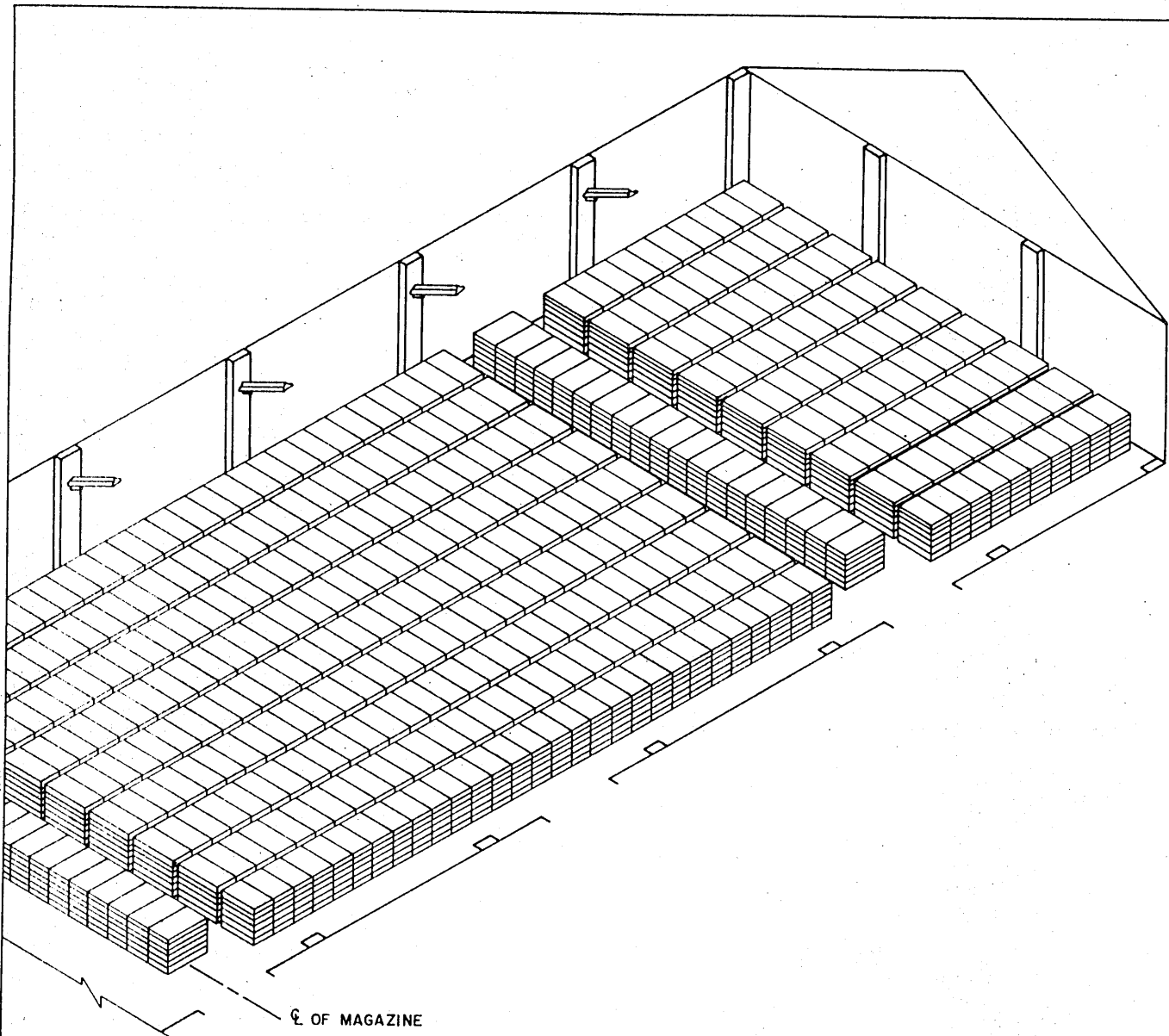
E OF MAGAZINE

STORAGE AS SHOWN

ONE-HALF OF A STANDARD MAGAZINE

ITEM	QUANTITY
PALLETIZED UNITS	1,106
CONTAINERS	5,530

FOR "GENERAL NOTES" SEE PAGE 3

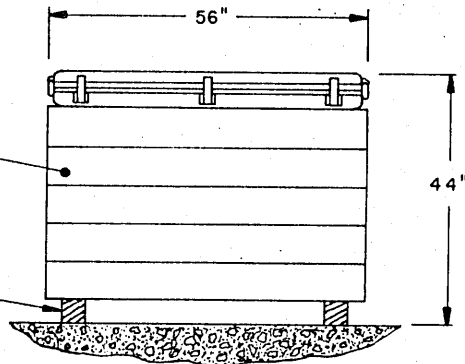


ISOMETRIC VIEW

ONE-HALF OF A STANDARD
MAGAZINE SHOWN.

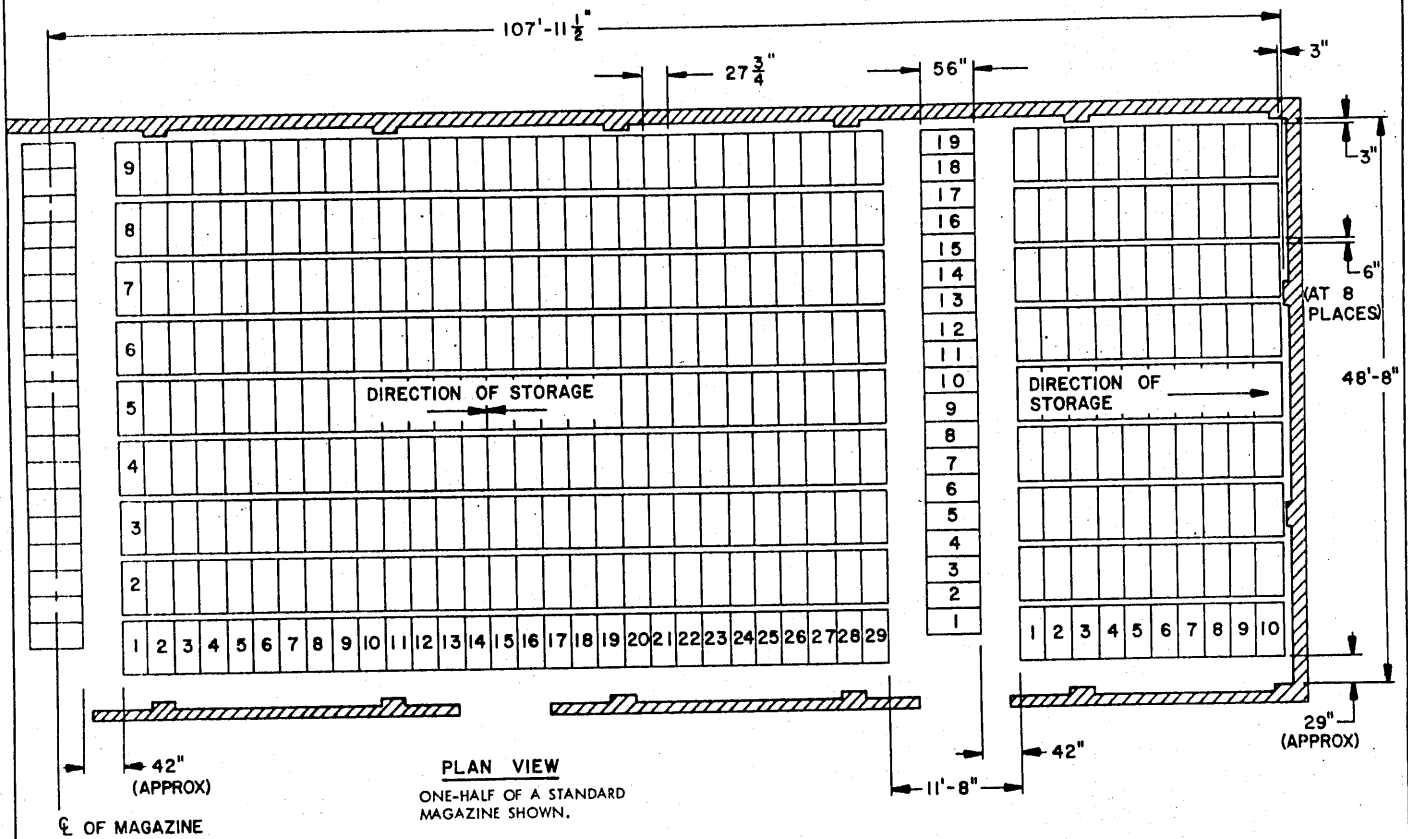
SEE GENERAL NOTE "B"
ON PAGE 3.

FLOOR DUNNAGE, 4" X 4" X 26"
(2 REQD PER STACK). SEE GENERAL
NOTE "H" ON PAGE 3.



TYPICAL STACK

SEE GENERAL NOTE "G"
ON PAGE 3.



☉ OF MAGAZINE

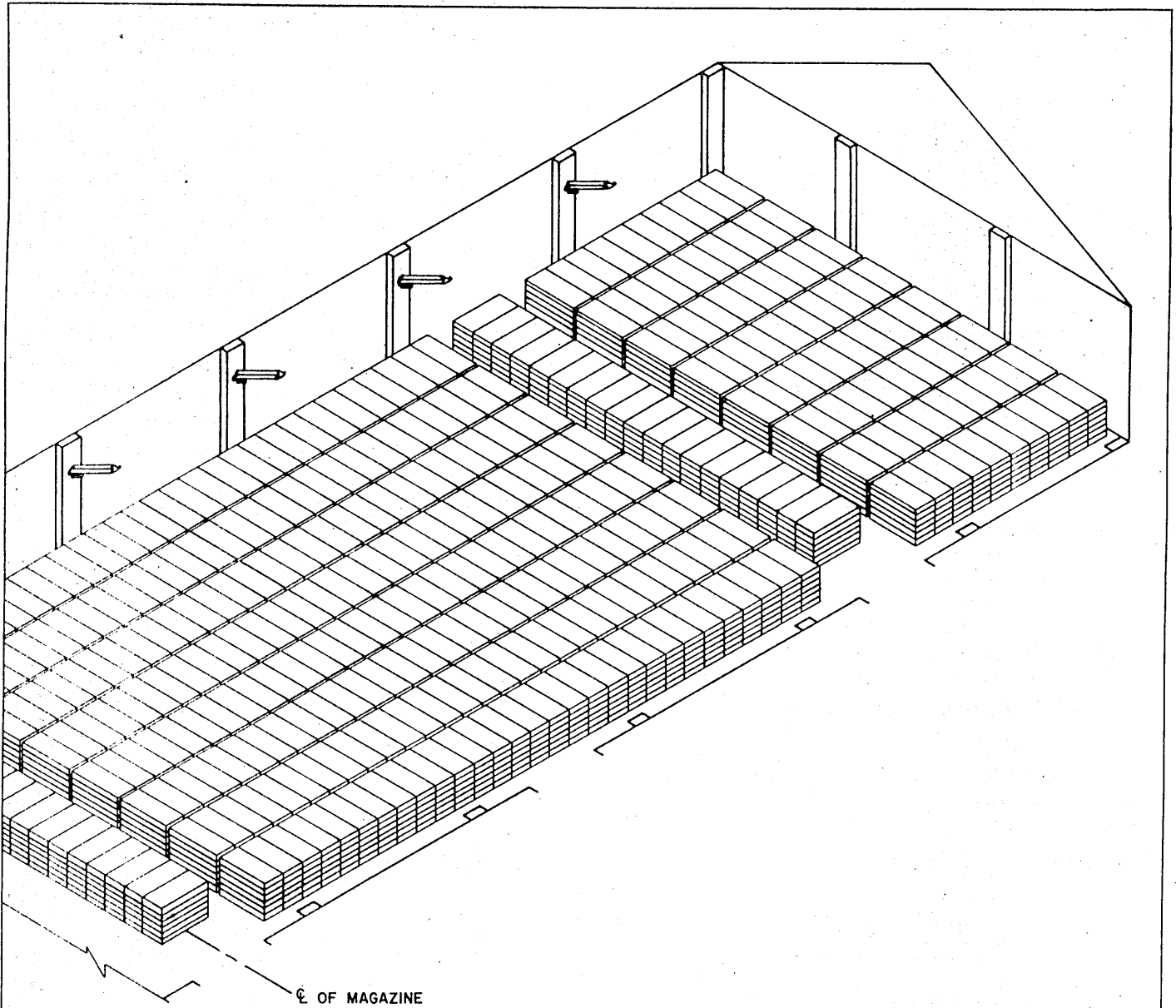
STORAGE AS SHOWN

ONE-HALF OF A STANDARD MAGAZINE

ITEM	QUANTITY
CONTAINERS	2,277

FOR "GENERAL NOTES" AND "MATERIAL SPECIFICATIONS", SEE PAGE 3.

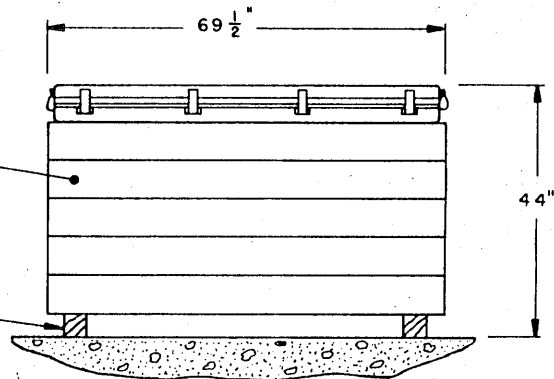
BILL OF MATERIAL PER STACK		
LUMBER	LINEAR FEET	BOARD FEET
4" X 4"	4'-4"	5-3/4



℄ OF MAGAZINE

ISOMETRIC VIEW

ONE-HALF OF A STANDARD MAGAZINE SHOWN.

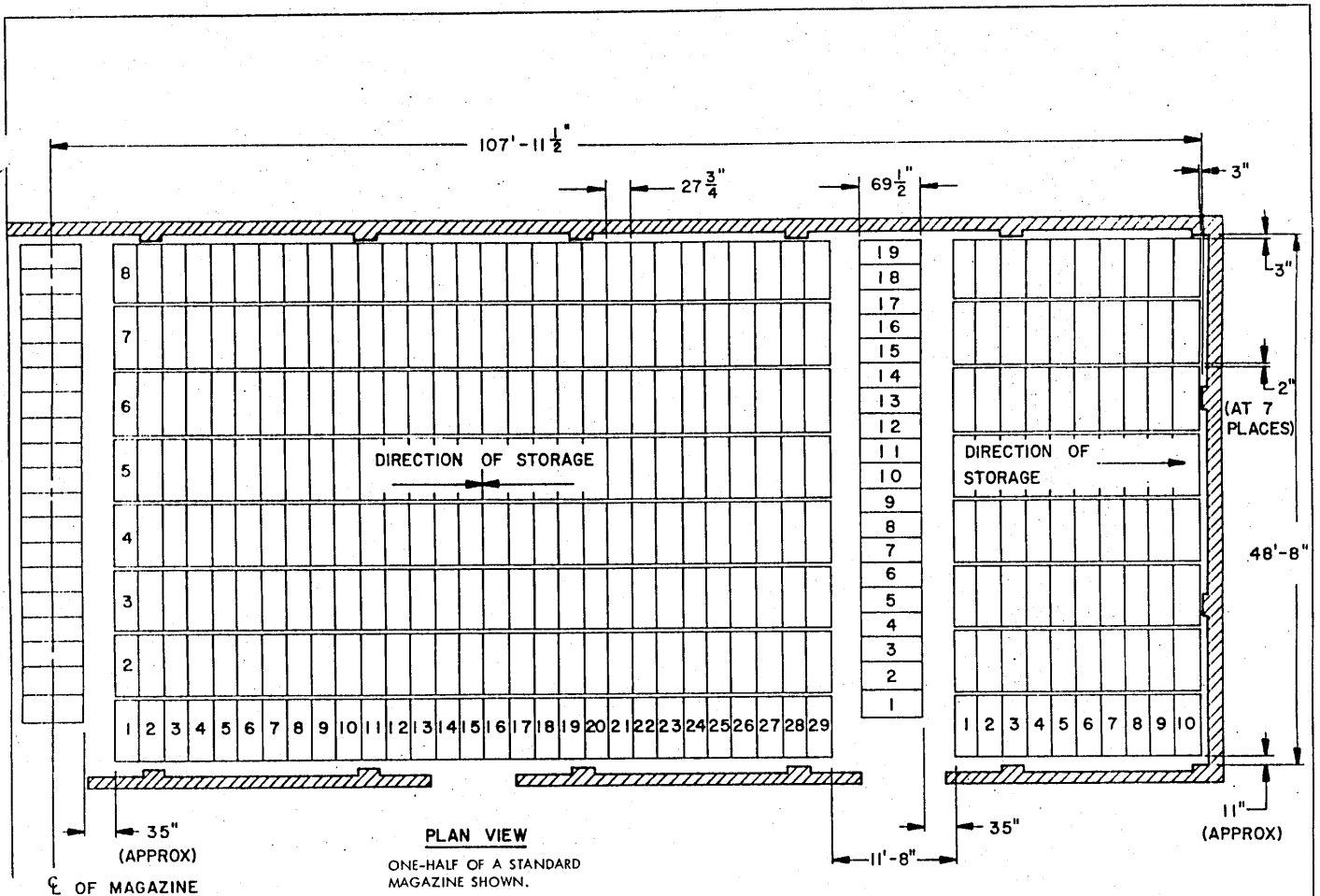


SEE GENERAL NOTE "C" ON PAGE 3.

FLOOR DUNNAGE, 4" X 4" X 26"
(2 REQD PER STACK). SEE GENERAL NOTE "H" ON PAGE 3.

TYPICAL STACK

SEE GENERAL NOTE "G" ON PAGE 3.



☉ OF MAGAZINE

STORAGE AS SHOWN

ONE-HALF OF A STANDARD MAGAZINE

ITEM	QUANTITY
CONTAINER	2,043

FOR "GENERAL NOTES" AND "MATERIAL SPECIFICATIONS", SEE PAGE 3.

BILL OF MATERIAL PER STACK		
LUMBER	LINEAR FEET	BOARD FEET
4" X 4"	4'-4"	5-3/4

