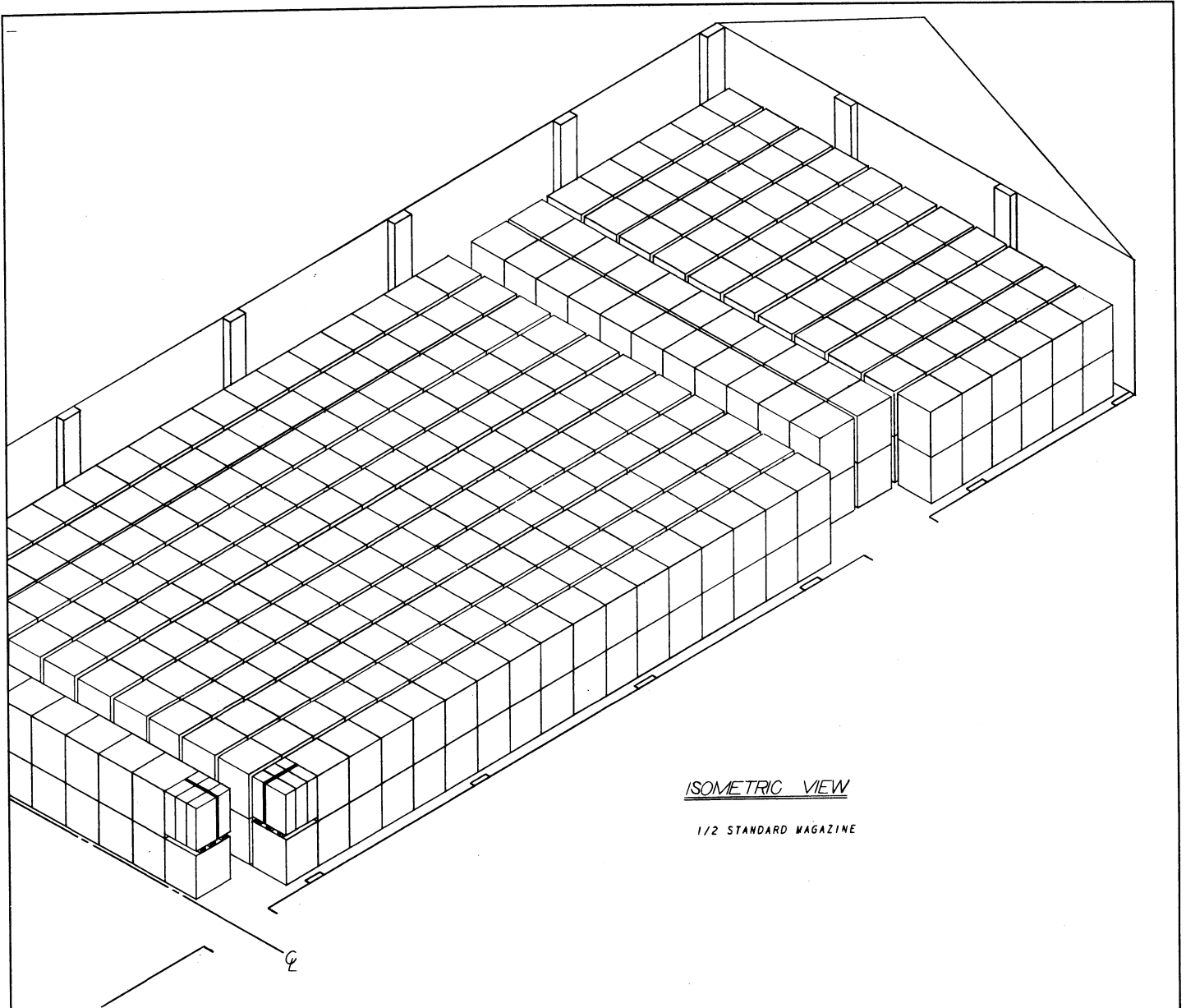


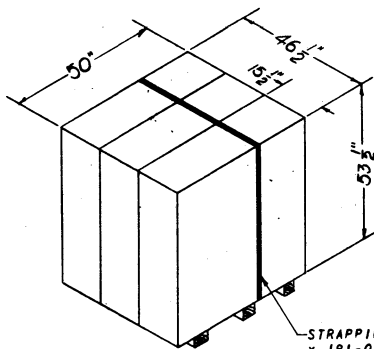
STORAGE IN STANDARD MAGAZINE OF FIN ASSEMBLY,
 M136 SERIES, PACKED FOUR PER PLYWOOD CONTAINER,
 FOR THE 762 MM ROCKET

DRAFTSMAN <i>K.S.V.</i>	TRACER	ENGINEER <i>DIW/JD</i>	SUBMITTED	
CHECKER <i>RHA/GWP</i>	CHECKER <i>AAI</i>	ENGINEER	<i>Ralph G. Maltby</i>	
REVISIONS			EXAMINED <i>John Taylor</i>	
			ORD. CORPS U.S.A.	
			APPROVED BY ORDER OF THE CHIEF OF ORDNANCE	
			<i>Andrew W. Heid</i>	
			ORD. CORPS U.S.A.	
			ORDNANCE CORPS U.S.A.	
			1 MAY 1962	
			CLASS	DIVISION
			DRAWING	FILE
			19	48
			5195	GM 2A19



ISOMETRIC VIEW

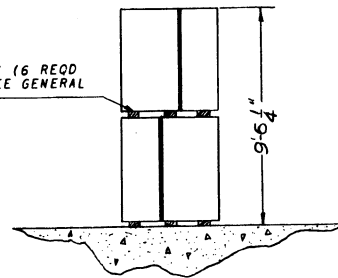
1/2 STANDARD MAGAZINE



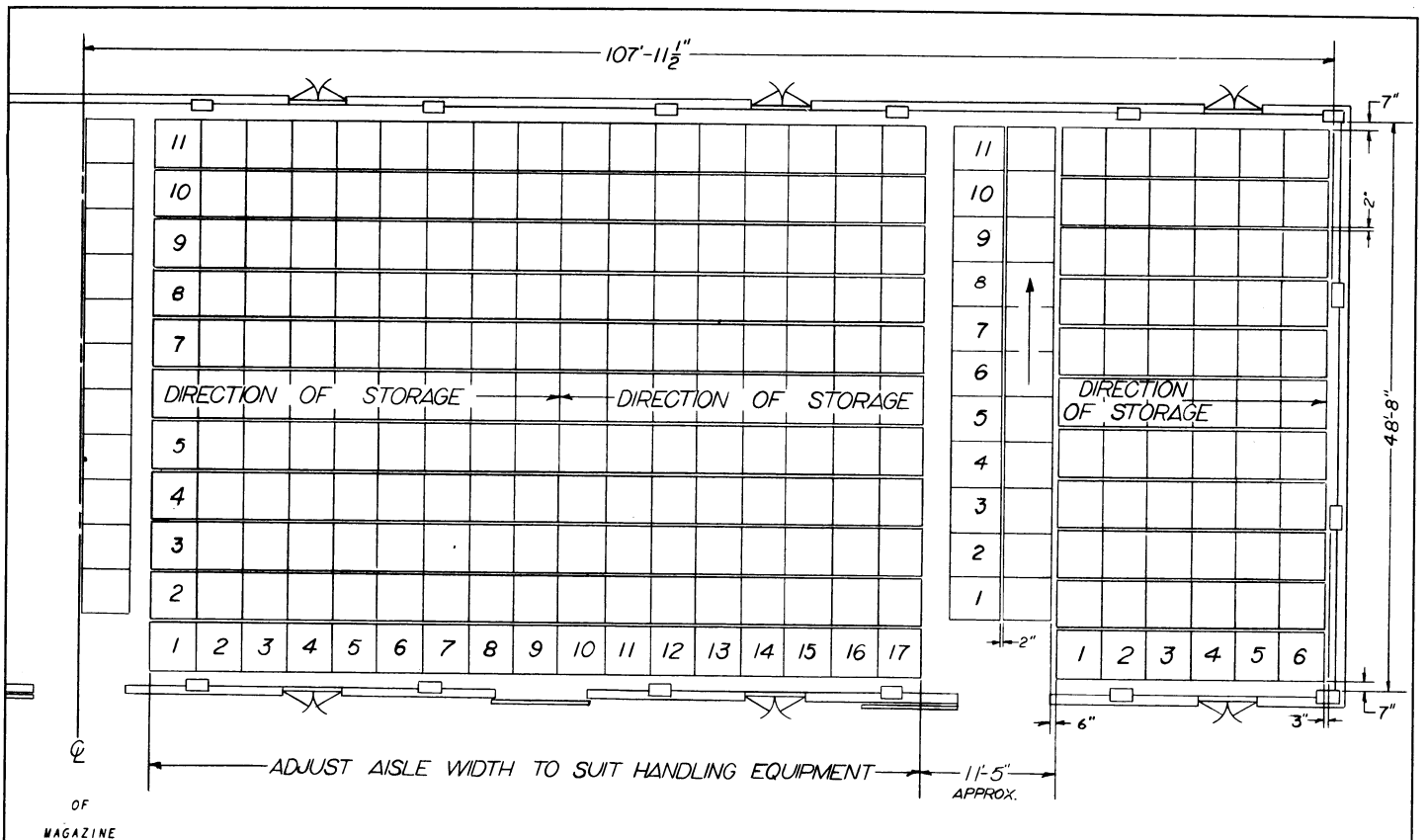
TYPICAL UNIT
DETAIL

STRAPPING, STEEL, $\frac{3}{8}$ " x .028"
x 18'-0" (1 RECD PER UNIT).

4" x 4" x 46 1/2" (6 RECD
PER STACK). SEE GENERAL
NOTE "B".



TYPICAL STACK



PLAN VIEW

ONE-HALF OF STANDARD MAGAZINE

GENERAL NOTES

- A. FOR DETAIL OF CONTAINER SEE DRAWING NO. 9100040. CONTAINER DIMENSIONS - 50" LONG x 15 1/2" WIDE x 53 1/2" HIGH. GROSS WEIGHT - 290 LBS (APPROX).
- B. DUNNAGE, 2" x 4" x 46 1/2" MAY BE USED IN LEIU OF 4" x 4" PIECES IF THICKNESS OF FORKS OF MHE PERMITS.
- C. DIMENSIONS OF OPERATING AISLES SHOWN HEREIN MAY BE ADJUSTED TO SUIT LOCALLY AVAILABLE MHE.

BILL OF MATERIAL (PER STACK)

LUMBER	LINEAL FEET	BOARD FEET
4" x 4"	23 1/2	31
STRAPPING, STEEL, 3/8" x .028" - 54' REQD.		

STORAGE AS SHOWN

ONE-HALF OF STANDARD MAGAZINE

CONTAINERS

1,716

MATERIAL SPECIFICATIONS

LUMBER: SEE PARAGRAPH B400, ORDM 3-4, VOL 3.

STRAPPING, STEEL: TYPE 1, CLASS "A" OR "C", FED SPEC. QO-S-791. FOR FSM SEE SB-39-100.

DO NOT SCALE

STORAGE IN STANDARD MAGAZINE OF FIN ASSEMBLY, MI36 SERIES, PACKED FOUR PER PLYWOOD CONTAINER, FOR THE 762 MM ROCKET

DRAFTSMAN K.S.J.	TRACER	ENGINEER DIW/JLB	SUBMITTED <i>Paul W. G. M... COLONEL ORDN. CORPS U.S.A.</i>
CHECKER RHA/GWP	CHECKER AA	ENGINEER	EXAMINED <i>John Taylor ORD. CORPS U.S.A.</i>
REVISIONS			APPROVED BY ORDER OF THE CHIEF OF ORDNANCE <i>Andrew W. Boyd ORD. CORPS U.S.A.</i>
			1 MAY 1962
CLASS	DIVISION	DRAWING	FILE
19	48	5195	GM 2A19

