

HAWK

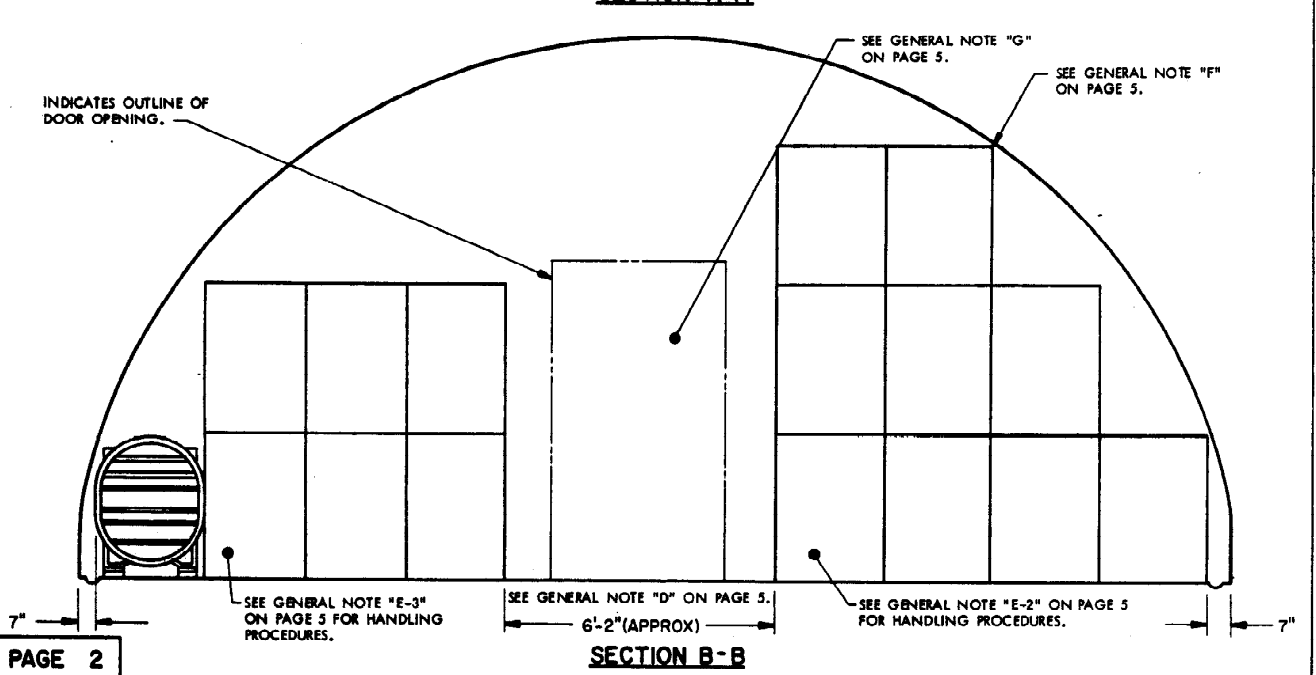
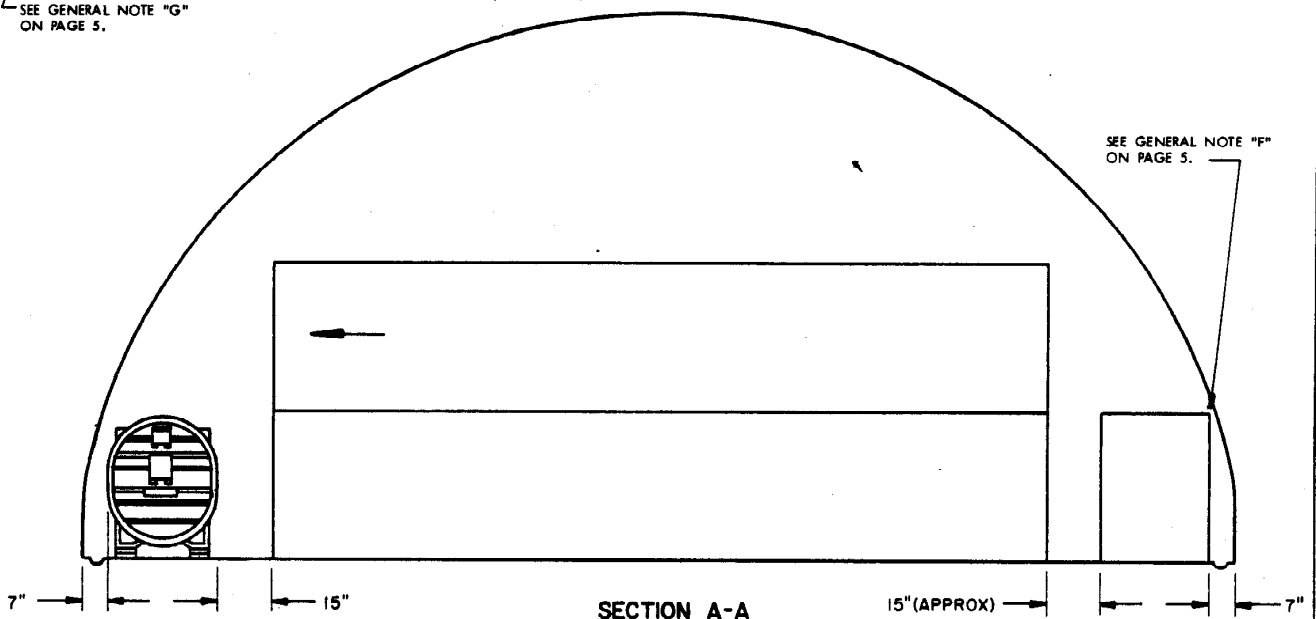
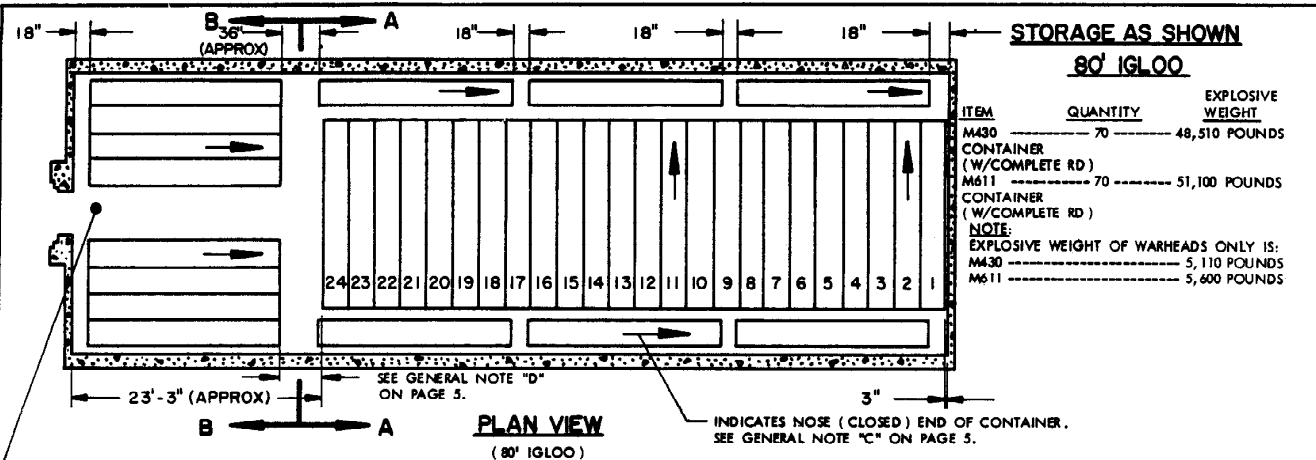
STORAGE IN 60' & 80' IGLOO MAGAZINES OF COMPLETE ROUND IN THE M430 OR M611 CONTAINER

NOTE: TWO METHODS OF STORAGE (STACKING PATTERNS) ARE SHOWN HEREIN; CROSSWISE STORAGE ON PAGES 2 AND 3, AND LENGTHWISE STORAGE ON PAGES 4 AND 5. THE METHOD WHICH BEST SUITS LOCAL CONDITIONS SHOULD BE SELECTED.

THIS DRAWING, INCLUDING REVISION 3, SUPERSEDES DRAWING 19-43-5176-GM1A30, DATED 25 AUGUST 1959, AND ALL REVISIONS THERETO, THROUGH NUMBER 2, DATED 6 JUNE 1967.

DO NOT SCALE

REVISIONS		DRAWN BY GRG/MLH	PROJ ENG RWD/MLH	A1511-51 287
3	AUG 75	/MLH	/MLH	/MLH
		CHECKED BY: <i>Wesley E. Gilkerson</i> APPROVED BY: <i>Wesley E. Gilkerson</i> U.S. ARMY MATERIEL COMMAND		
		APPROVED BY ORDER OF COMMANDING GENERAL U. S. ARMY MATERIEL COMMAND <i>AT Ehinger</i> USAMC AMMO CENTER		
		U. S. ARMY MATERIEL COMMAND		
		AUGUST 1975		
		CLASS	DIVISION	DRAWING
		19	48	5176
				GM IHAI



STORAGE AS SHOWN

60' IGL00

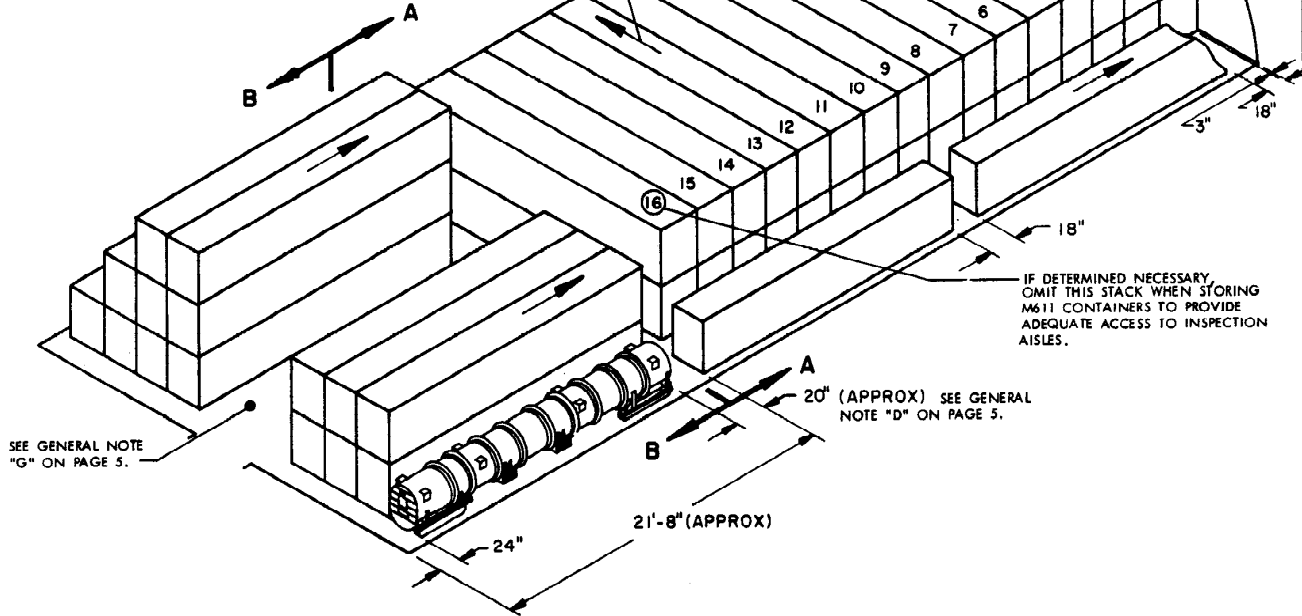
ITEM	QUANTITY	EXPLOSIVE WEIGHT
M430 CONTAINER (W/COMPLETE RD)	52	36,036 POUNDS
M611 CONTAINER (W/COMPLETE RD)	50	36,500 POUNDS

NOTE:

EXPLOSIVE WEIGHT OF WARHEADS ONLY IS:

M430	3,796 POUNDS
M611	4,000 POUNDS

INDICATES NOSE (CLOSED) END OF CONTAINER. SEE GENERAL NOTE "C" ON PAGE 5.



SEE GENERAL NOTE "G" ON PAGE 5.

IF DETERMINED NECESSARY, OMIT THIS STACK WHEN STORING M611 CONTAINERS TO PROVIDE ADEQUATE ACCESS TO INSPECTION AISLES.

20" (APPROX) SEE GENERAL NOTE "D" ON PAGE 5.

ISOMETRIC VIEW

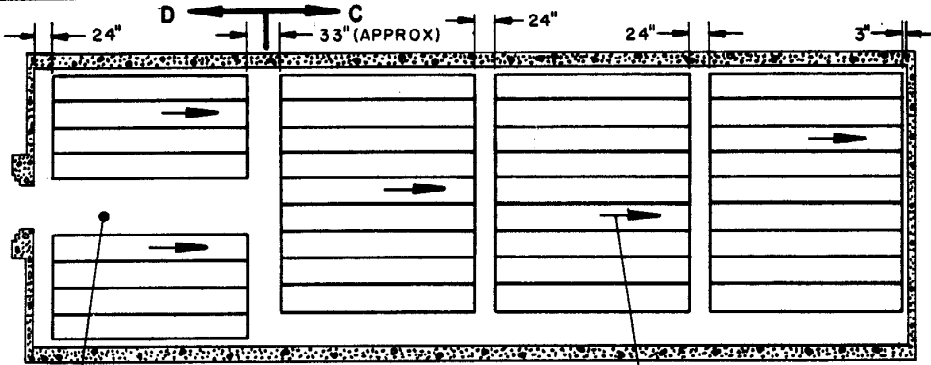
(60' IGL00)

FOR "GENERAL NOTES", SEE PAGE 5

REVISIONS

REVISION NO. 3, DATED AUGUST 1973, CONSISTS OF:

1. CHANGING COMPATIBILITY GROUP.
2. CHANGES NECESSARY TO UP-DATE DRAWING FORMAT.
3. UPDATING GENERAL NOTES.
4. ADDING M611 CONTAINER.
5. CHANGING PROCEDURES TO PROVIDE FOR ITEMS BEING IN A "PROPULSIVE STATE".
6. CHANGING DRAWING FILE NO. FROM GM1A30 TO GM1HAT.

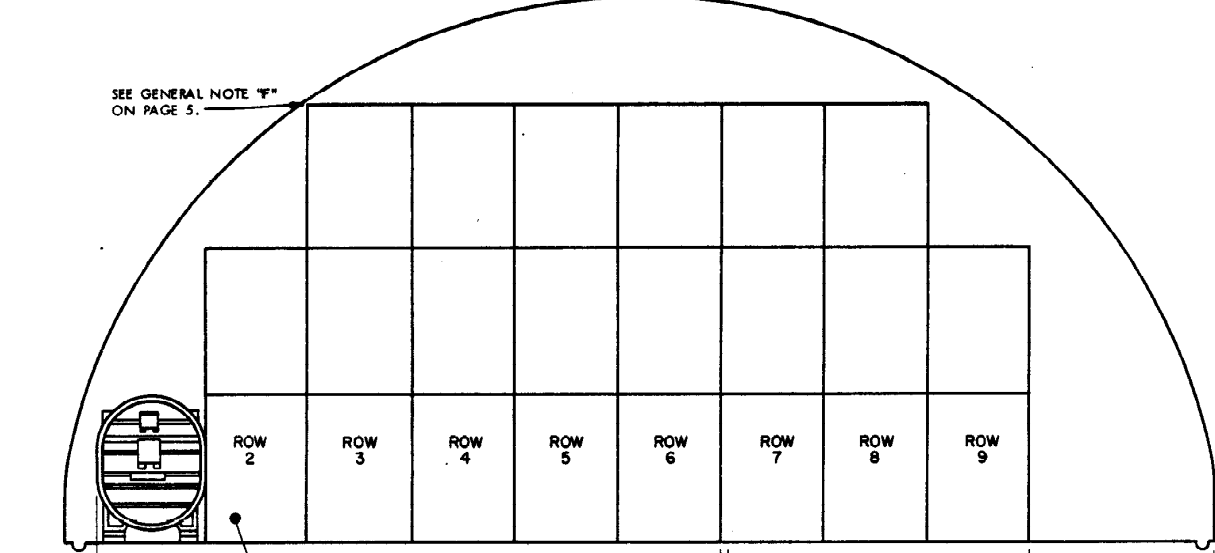


**STORAGE AS SHOWN
80' IGLOO**

ITEM	QUANTITY	EXPLOSIVE WEIGHT
M430 CONTAINER (W/COMPLETE RD)	85	58,905 POUNDS
M611 CONTAINER (W/COMPLETE RD)	85	62,050 POUNDS

NOTE:
EXPLOSIVE WEIGHT OF WARHEADS ONLY IS:
M430 ----- 6,205 POUNDS
M611 ----- 6,800 POUNDS

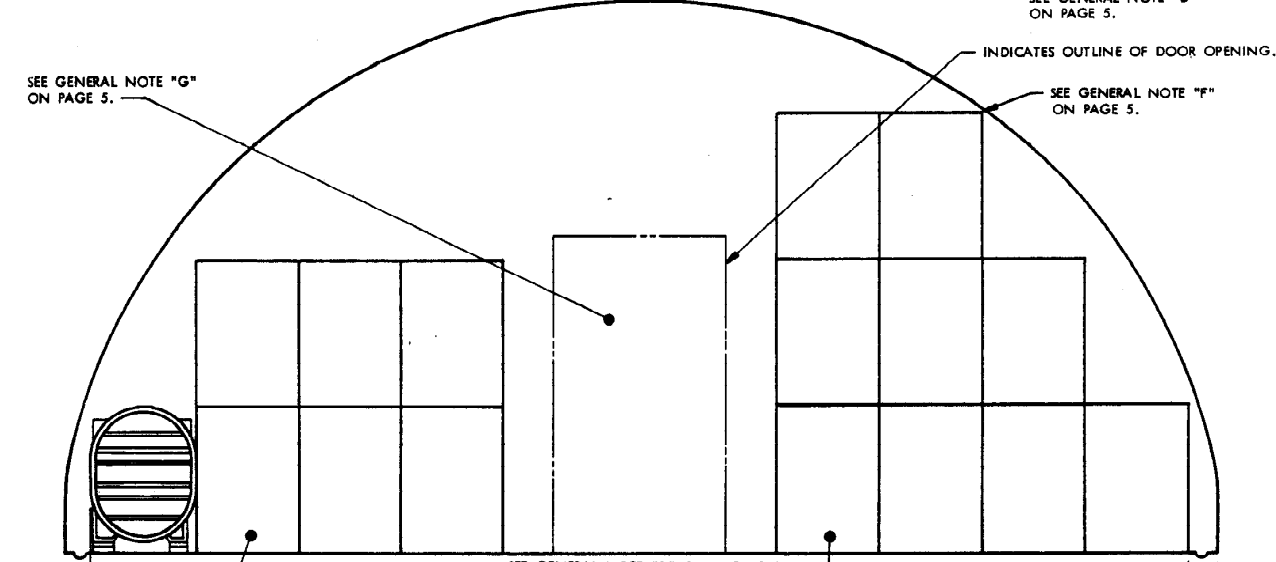
PLAN VIEW
(80' IGLOO)
INDICATES NOSE (CLOSED) END OF CONTAINER. SEE GENERAL NOTE "C" ON PAGE 5.



SECTION C-C
23 CONTAINERS PER STACK

SEE GENERAL NOTE "D" ON PAGE 5.

SEE GENERAL NOTE "E-1" ON PAGE 5 FOR HANDLING PROCEDURES.



SECTION D-D
16 CONTAINERS PER STACK

SEE GENERAL NOTE "E-3" ON PAGE 5 FOR HANDLING PROCEDURES.

SEE GENERAL NOTE "D" ON PAGE 5.

SEE GENERAL NOTE "E-2" ON PAGE 5 FOR HANDLING PROCEDURES.

SEE GENERAL NOTE "G" ON PAGE 5.

INDICATES OUTLINE OF DOOR OPENING.

SEE GENERAL NOTE "F" ON PAGE 5.

STORAGE AS SHOWN

60' IGLOO

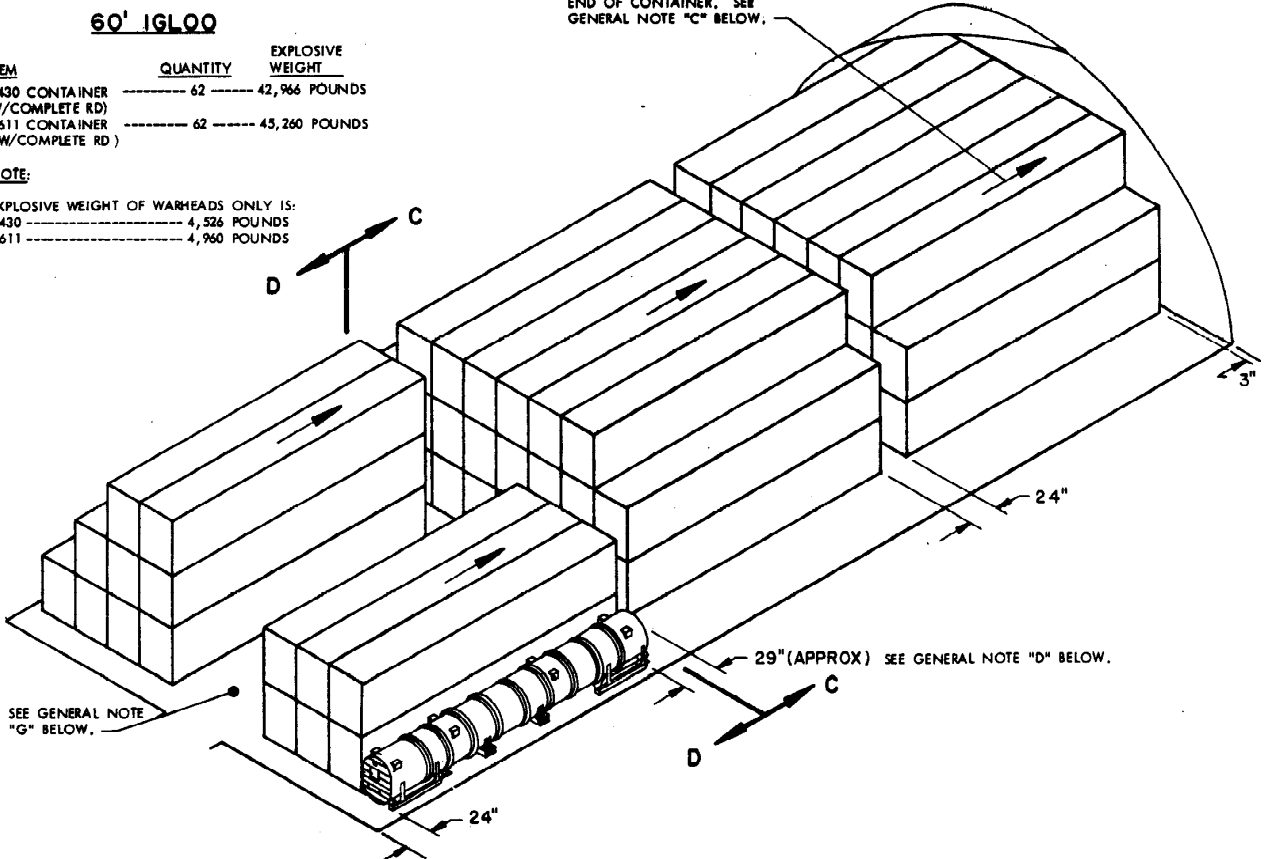
INDICATES NOSE (CLOSED)
END OF CONTAINER, SEE
GENERAL NOTE "C" BELOW.

ITEM	QUANTITY	EXPLOSIVE WEIGHT
M430 CONTAINER (W/COMPLETE RD)	62	42,966 POUNDS
M611 CONTAINER (W/COMPLETE RD)	62	43,260 POUNDS

NOTE:

EXPLOSIVE WEIGHT OF WARHEADS ONLY IS:
M430 ----- 4,526 POUNDS
M611 ----- 4,960 POUNDS

SEE GENERAL NOTE
"G" BELOW.



ISOMETRIC VIEW

(60' IGLOO)

(GENERAL NOTES CONTINUED)

- * 2. FOR THE NINE (9) CONTAINER FRONTAL AREA STORAGE LOCATED TO THE LEFT AS ENTERING THE DOOR OF THE MAGAZINE, FORM 4 ROWS BY HANDLING INDIVIDUAL CONTAINERS FROM THE SIDE WITH A FORK LIFT TRUCK.
- * 3. FOR THE SEVEN (7) CONTAINER FRONTAL AREA STORAGE LOCATED TO THE RIGHT AS ENTERING THE DOOR, BUILD THE CONTAINER-STACKS OUTSIDE THE MAGAZINE. MOVE THE CONTAINER AND/OR CONTAINER-STACKS THROUGH THE IGLOO DOORWAY AND MOVE SIDEWARD WITH A HAND OPERATED PALLET TRUCK OR ON A ROLLER ASSEMBLY.
- * GENERAL NOTES "E-2" AND "E-3" ARE ALSO APPLICABLE TO THE FRONTAL AREA STORAGE ON PAGES 2 AND 3.
- F. STORED CONTAINERS MUST NOT CONTACT THE WALL OF A MAGAZINE. TO PROVIDE FOR THIS MANDATORY CLEARANCE REQUIREMENT, THE SPACE AT THE SIDEWALLS OF THE MAGAZINE MAY BE ADJUSTED ACCORDINGLY, OR A CONTAINER MAY BE OMITTED FROM A DEPICTED STACKING PATTERN AS NECESSARY.
- G. ADDITIONAL M430 OR M611 CONTAINERS MAY BE STORED IN THE FRONTAL AREA OF THE MAGAZINE IF AVAILABLE MATERIALS HANDLING EQUIPMENT PERMITS.
- H. THE STORAGE PROCEDURES DEPICTED HEREIN FOR SPECIFIC TYPES OF MAGAZINES MAY ALSO BE UTILIZED TO STORE THE M430 OR M611 CONTAINER IN OTHER TYPES OF APPROVED MAGAZINES. MINOR ADJUSTMENTS MAY BE MADE TO FACILITATE STORAGE IN OTHER TYPES OF MAGAZINES, HOWEVER, THE BASIC PRINCIPLES AS DEPICTED HEREIN WILL BE COMPLIED WITH.

GENERAL NOTES

- A. THIS DOCUMENT HAS BEEN PREPARED AND ISSUED IN ACCORDANCE WITH AR 740-1, AND AUGMENTS TM 743-200-1 (CHAPTER 5).
- B. FOR DETAILS OF THE M430 CONTAINER SEE DRAWING NO. 9073970.

CONTAINER DIMENSIONS	-----	216" LONG X 28-3/4" WIDE X 41-1/2" HIGH
GROSS WEIGHT	-----	3,225 POUNDS (APPROX)
EXPLOSIVE WEIGHT	-----	WARHEAD, 73 POUNDS MOTOR, 620 POUNDS
- FOR DETAILS OF THE M611 CONTAINER SEE DRAWING NO. 8035841.

CONTAINER DIMENSIONS	-----	216" LONG X 30" WIDE X 41-1/2" HIGH
GROSS WEIGHT	-----	3,351 POUNDS (APPROX)
EXPLOSIVE WEIGHT	-----	WARHEAD, 80 POUNDS MOTOR, 650 POUNDS
- C. THESE ITEMS ARE QD CLASS 7 ITEMS AND ARE IN COMPATIBILITY GROUP F. CAUTION: THESE ITEMS ARE IN A "PROPULSIVE STATE" AND CONTAINERS MUST BE STORED WITH THE NOSE (CLOSED) END FACING TOWARD THE REAR WALL OR A SIDE WALL OF THE MAGAZINE, NOT TOWARD THE DOOR OR FRONT WALL.
- D. AISLE DIMENSIONS SHOWN IN THIS DRAWING MAY BE ADJUSTED TO SUIT LOCAL CONDITIONS AND/OR AVAILABLE MATERIALS HANDLING EQUIPMENT (MHE). THE DIMENSIONS SHOWN ARE BASED ON THE STORAGE OF M430 CONTAINERS, WHEN STORING M611 CONTAINERS, MINOR ADJUSTMENTS TO DIMENSIONS WILL BE REQUIRED TO COMPENSATE FOR THE SLIGHTLY INCREASED WIDTH OF THE CONTAINERS.
- E. NOTE: THE STORAGE AS SHOWN ON PAGES 4 AND 5 IS THE PREFERRED METHOD. HOWEVER, ACCOMPLISHMENT IS DEPENDENT ON THE CAPABILITY OF THE INSTALLATION INVOLVED TO HANDLE THE ITEMS WITHIN THE IGLOO AS FOLLOWS:
 1. FOR EACH OF THE STACKS OTHER THAN THE FRONTAL AREA STORAGE, FORM ROWS 1 THROUGH 6 (SEE "SECTION C-C") BY HANDLING INDIVIDUAL CONTAINERS FROM THE SIDE WITH A FORK LIFT TRUCK. FOR ROWS 7 THROUGH 9, BUILD THE CONTAINER-STACKS IN THE AREA IN FRONT OF THE STACK BEING BUILT AND MOVE LENGTHWISE INTO FINAL POSITION ON A ROLLER ASSEMBLY. A FORK LIFT TRUCK CAN BE USED AT THE END OF A CONTAINER-STACK TO AID IN THE PLACEMENT AND REMOVAL OF THE ROLLER ASSEMBLY AND FOR MOVING A CONTAINER-STACK INTO POSITION.

(CONTINUED AT LEFT)

