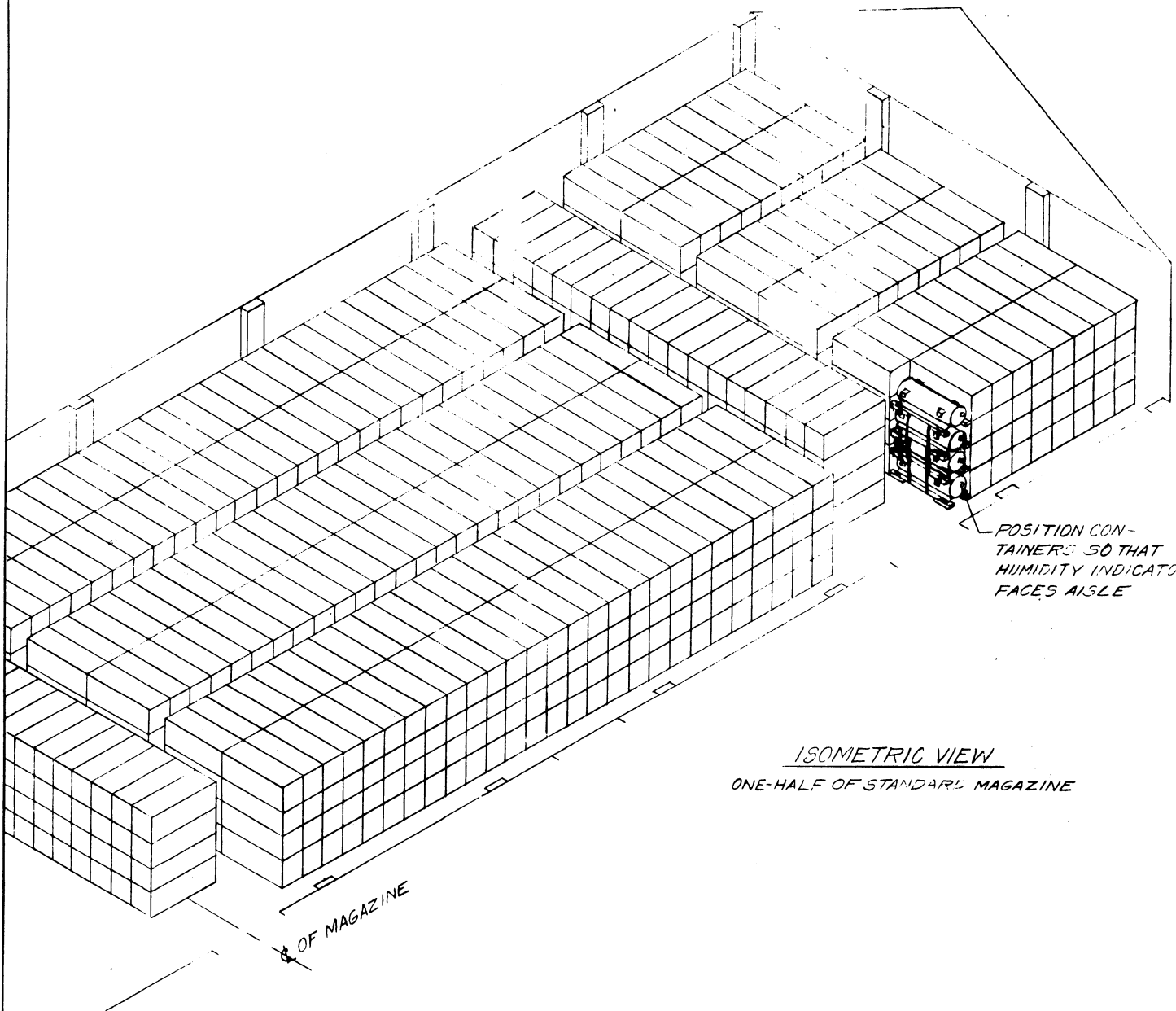
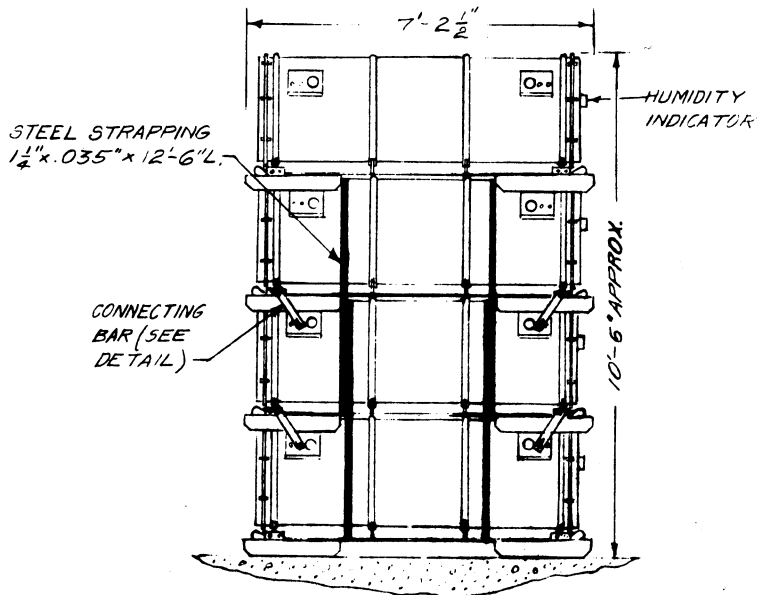


STORAGE IN STANDARD MAGAZINES OF THE
FORE SECTION FOR THE HAWK ANTI-
AIRCRAFT GUIDED MISSILE

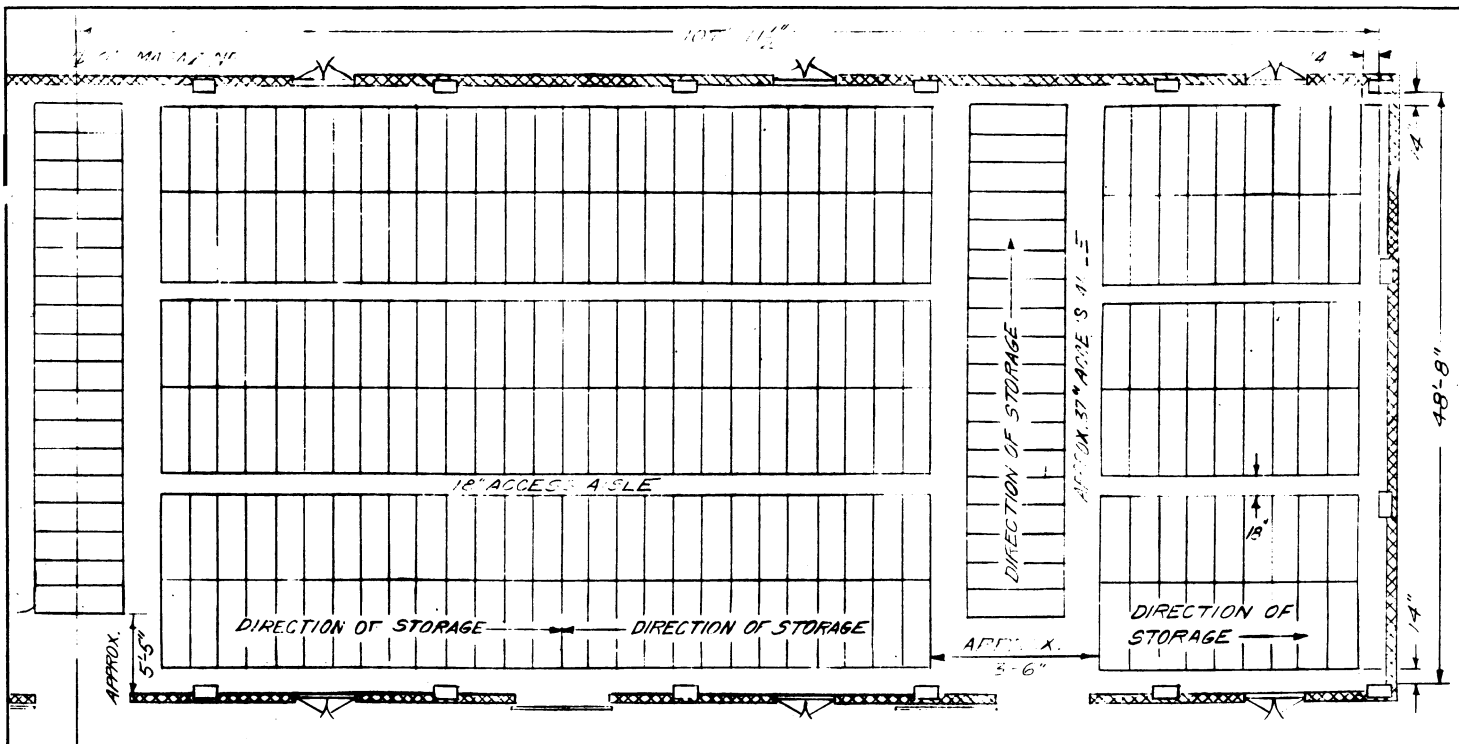
DRAFTSMAN <i>RAA</i>	TRACER	ENGINEER <i>CFE/ENG</i>	SUBMITTED <i>W. D. Jones</i>	
CHECKER <i>CRJ</i>	CHECKER <i>AAU</i>	ENGINEER	ORD. CORPS U.S.A.	
REVISIONS			EXAMINED <i>Donald L. Koshur</i>	
			ORD. CORPS U.S.A.	
			APPROVED BY ORDER OF THE CHIEF OF ORDNANCE <i>Angela F. ...</i>	
			ORD. CORPS U.S.A.	
			ORDNANCE CORPS U.S.A.	
			24 JANUARY 1958	
			CLASS	DIVISION
			DRAWING	FILE
			19	48
			5050	GM2A12



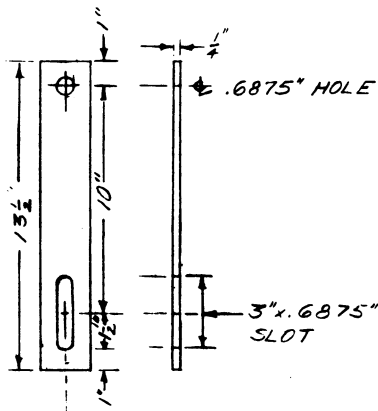
ISOMETRIC VIEW
ONE-HALF OF STANDARD MAGAZINE



TYPICAL STACK



PLAN VIEW
ONE-HALF STANDARD MAGAZINE



DETAIL-CONNECTING BAR

GENERAL NOTES

- A. FOR DETAILS OF CONTAINER SEE DWG. NO. _____
CONTAINER SIZE - 86 1/2" L x 26 1/2" W x 33 3/4" H.
GROSS WT. - 700 LBS.
- B. DIMENSION OF OPERATING AISLE SHOWN
HEREON MAY BE ADJUSTED TO SUIT LOCALLY
AVAILABLE MHE.

STORAGE AS SHOWN
ONE-HALF STANDARD MAGAZINE
CONTAINERS - 1008

NOTE:
EACH GROUP OF THREE (3) CONTAINERS REQUIRES
1. EIGHT (8) CONNECTING BARS SECURED IN PLACE BY:
SIXTEEN (16) BOLTS 5/8" DIA (SEE LIST OF PARTS);
SIXTEEN (16) NUTS (SEE LIST OF PARTS)
2. 1.25" STEEL STRAPPING - AS SHOWN IN TYPICAL STACK.

NOTE:
HOLES MAY BE "BURNED" THRU CONNECTING BAR, THEN EN-
LARGED TO .6875" WITH A "BRIDGE" TYPE REAMER.

N.B. LOCK WASHERS WILL NOT BE USED.

STORAGE IN STANDARD MAGAZINES OF THE
FORE SECTION FOR THE HAWK ANTI-
AIRCRAFT GUIDED MISSILE

LIST OF PARTS PER UNIT							
LINE NO.	NAME OF PART	QTY REQD	PC. MK. (ORD PART NO.)	MATERIAL			REMARKS
				SIZE OR FORM	KIND	GRADE	
1	SCREW, CAP	16	825910	5/8-18-8NF-2A	STEEL ALLOY		PLAIN FINISH
2	NUT, CASTLE	16	818469	5/8-18-8NF-2B	STEEL ALLOY		PLAIN FINISH
3	WASHER	16	221440	5/8"	STEEL	LIGHT SER.	PLAIN
4	PIN, COTTER	16	59048L	1/2 x 2	STEEL		SPLIT
5	BAR, CONNECTING	8		2 1/2 x 1 1/2	STEEL	HT1010	37-136
6	STRAPPING	4		1.25" x 1.25"	STEEL	WIRE CL. A. 82C	80-5-200 1/2'-6"

* ALTERNATE: DOUBLE "LOCK NUTS" MAY BE SUBSTITUTED FOR CASTLE NUTS AND COTTER PINS.

DO NOT SCALE

DESIGNED RAB	CHECKED CRJ	TRACED AAL	ENGINEER CRJ/ENG	APPROVED <i>Wideman</i>
REVISIONS				
DONALD L KOEHLER ORDNANCE CORPS U.S.A. <i>Charles F. ...</i> ORDNANCE CORPS U.S.A.				
24 JANUARY 1958				
CLASS	DIVISION	DRAWING	FILE	
19	48	5050	GM2A12	