

PLAN VIEW
1/4 WAREHOUSE

NOTE:

- EACH GROUP OF THREE (3) CONTAINERS REQUIRES:
 - EIGHT (8) CONNECTING BARS SECURED IN PLACE BY SIXTEEN (16) BOLTS 5/8" DIA. (SEE LIST OF PARTS)
 - SIXTEEN (16) NUTS (SEE LIST OF PARTS)
 - 1.25" STEEL STRAPPING AS SHOWN IN TYPICAL STACK.

NOTE:

HOLDS MAY BE "BURNED" THRU CONNECTING BARS, THEN ENLARGED TO .6875" WITH A "RIDGE" TYPE REAMER.

N.B. LOCK WASHERS WILL NOT BE USED.

GENERAL NOTES

- A. FOR DETAILS OF CONTAINER SEE DWG. NO. _____
CONTAINER SIZE - 86 1/2" L x 20' W x 33 1/2" H.
GRD. WT - 700 LBS.
- B. DIMENSIONS OF OPERATING AISLE SHOWN HEREIN MAY BE ADJUSTED TO SUIT LOCAL AVAIL. AREA.

STORAGE AS SHOWN
1/4 WAREHOUSE
CONTAINER - 1776

LIST OF PARTS PER UNIT (3 CNTRS)

LINE NO.	NAME OF PART	QTY.	ORD. PART NO.	MATERIAL			SPEC. (DWG. NO.)	REMARKS
				SIZE OR FORM	KIND	GRADE		
1	SCREW, CAP	16	226910	5/8-18 UNF-2A	STEEL, ALLOY		BUNX1	PLAIN FINISH
2	NUT, CASTLE	16	218469	5/8-18 UNF-2B	STEEL, ALLOY		BUNX1	PLAIN FINISH
3	WASHER	16	221440	5/8"	STEEL CORR. SIGN RESISTANT	LIGHT SERIES	BEBX1	PLAIN
4	PIN, COTTER	16	530492	3/8 x 2	STEEL CORR. SIGN RESISTANT		BPAKX1	SPLIT
5	BAR CONNECTING	8		2 1/2 x 18	STEEL, HOT ROLLED		IND1010	57-136
6	STRAPPING	4		1.25" x .085"	STEEL	TYPE 1 CL. AOK	01-171A	12'-6"

ALTERNATE: DOUBLE "LOCK NUTS" MAY BE SUBSTITUTED FOR CASTLE NUTS AND COTTER PINS.

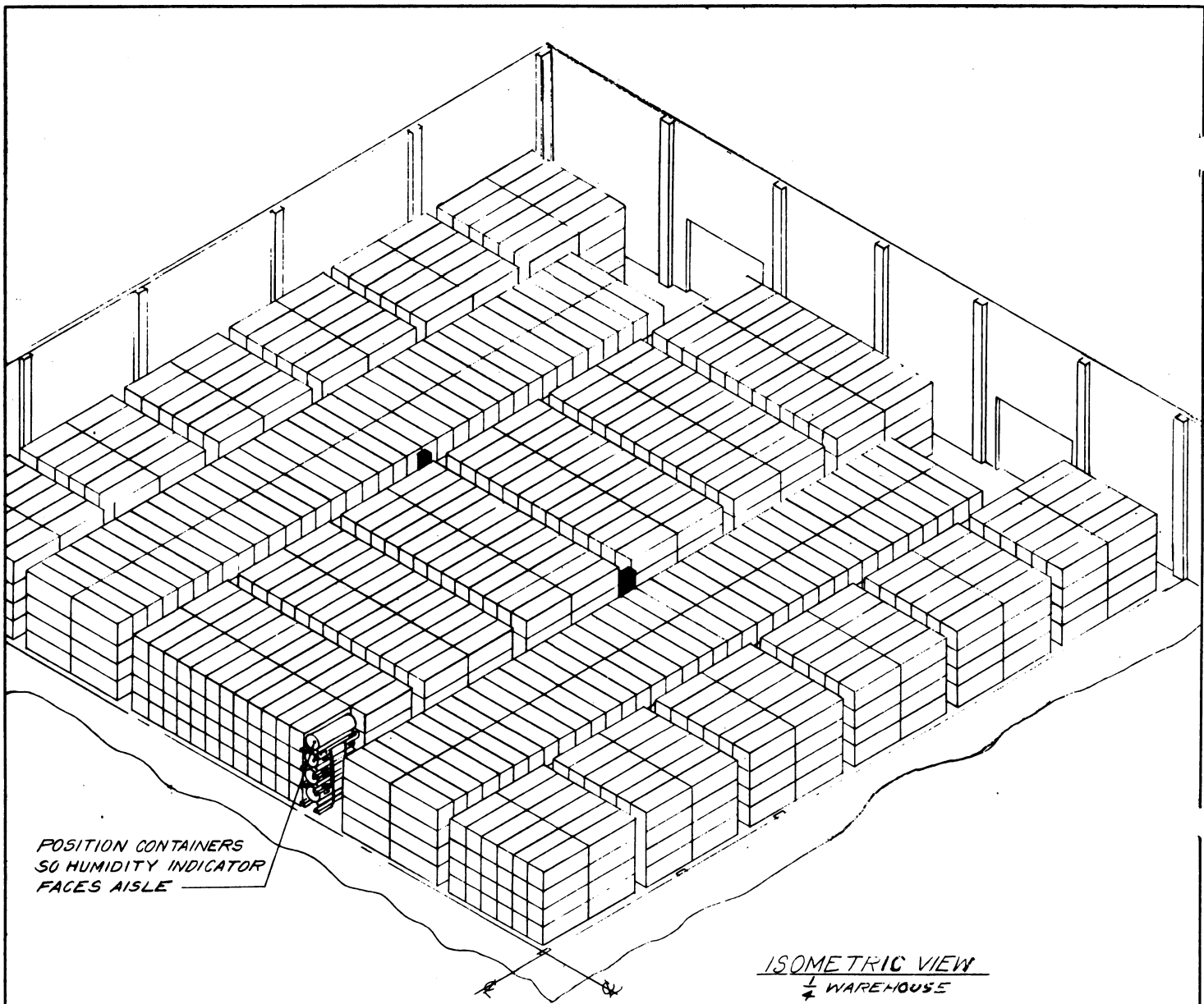
DO NOT SCALE

STORAGE IN WAREHOUSE OF THE FORE SECTION FOR THE HAVAN ANTI-AIRCRAFT SUITCASE MISSILE

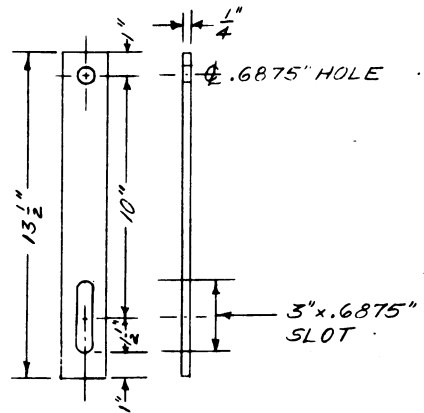
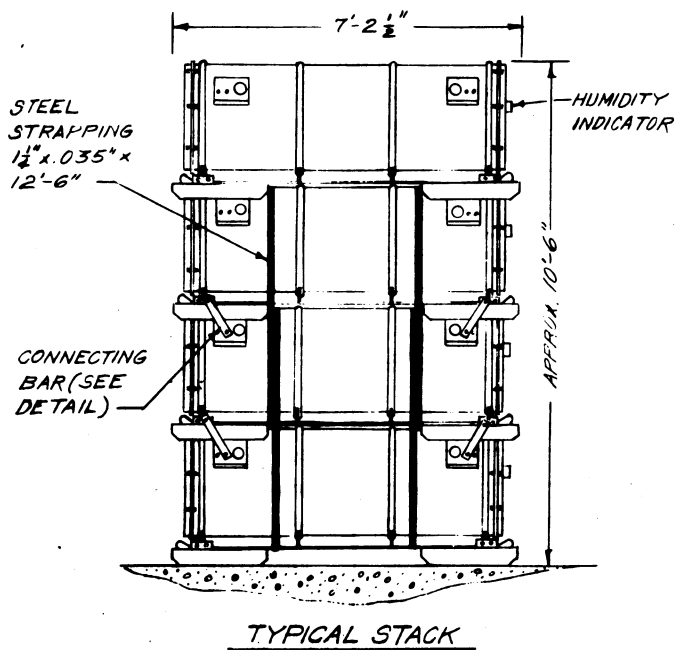
DESIGNED BY RAB	CHECKED BY AAL	APPROVED BY CRJ/ENQ	DATE 1/15/58
EXAMINED BY Donald C Kosher APPROVED BY CHIEF OF THE BUREAU OF ORDNANCE Chester R. ... ORDNANCE CORPS U.S.A. 24 JANUARY 1958			
CLASS	DIVISION	DRAWING	FILE
19	48	5049	GMIOA13

STORAGE IN WAREHOUSE OF THE FORE SECTION
FOR THE HAWK ANTI-AIRCRAFT GUIDED
MISSILE

DESIGNATION RAS	TRADE	SYMBOLS CRJ/ENQ	QUANTITY
CLASSIFICATION CRJ	CLASSIFICATION AAL		<i>V. H. ...</i> ORD. CORPS U.S.A.
REVISIONS			EXAMINED <i>Donald C Kosher</i> ORD. CORPS U.S.A.
			APPROVED BY ORDER OF THE CHIEF OF ORDNANCE <i>Chas. R. ...</i> ORD. CORPS U.S.A.
			ORDNANCE CORPS U.S.A.
			24 JANUARY 1958
			CLASS DIVISION DRAWING FILE
			19 48 5049 GMIOA13



ISOMETRIC VIEW
1/4 WAREHOUSE



DETAIL-CONNECTING BAR