

# HONEST JOHN

STORAGE IN 60' AND 80' IGLOO  
MAGAZINES OF WARHEAD SECTION,  
762 MM ROCKET, HE OR PRACTICE,  
PACKED ONE PER WOODEN CONTAINER

## INDEX

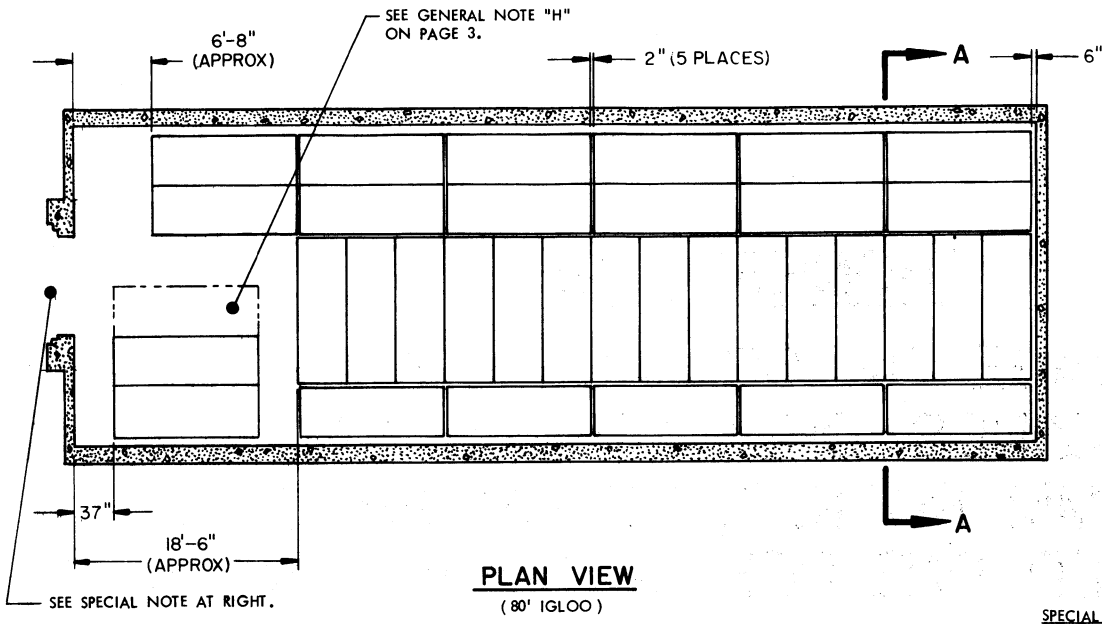
<u>ITEM</u>	<u>PAGE(S)</u>
GENERAL NOTES-----	3
IGLOO STORAGE PROCEDURES (LUMBER/PLYWOOD SHEATHED CONTAINER)----	2,3
IGLOO STORAGE PROCEDURES (XM473 CONTAINER)-----	4,5

<small>DRAFTSMAN</small> P M H	<small>TRACER</small>	<small>ENGINEER</small> DIW/BGB	<small>SUBMITTED</small> <i>Ralph F. Munkwitz</i>
<small>CHECKER</small> RHA/GWP	<small>CHECKER</small> AAI	<small>ENGINEER</small>	<small>COLONEL ORD. CORPS U.S.A.</small>
<b>REVISIONS</b>			<small>EXAMINED</small> <i>John Taylor</i>
2	1-31-61	<small>DDG</small> <small>GWP</small> <i>Andrew W. Bled</i>	<small>ORD. CORPS U.S.A.</small>
3	NOV 69	<small>DDG</small> <small>GWP</small> <i>Andrew W. Bled</i> <i>Paul Klein</i>	<small>APPROVED BY ORDER OF THE CHIEF OF ORDNANCE</small>
			<i>Andrew W. Bled</i> <small>ORD. CORPS U.S.A.</small>
			<b>ORDNANCE CORPS U.S.A.</b>
			<b>31 JANUARY 1955</b>
	<small>CLASS</small>	<small>DIVISION</small>	<small>DRAWING</small>
			<small>FILE</small>
	19	48	5016 GMIA8

**DO NOT SCALE**

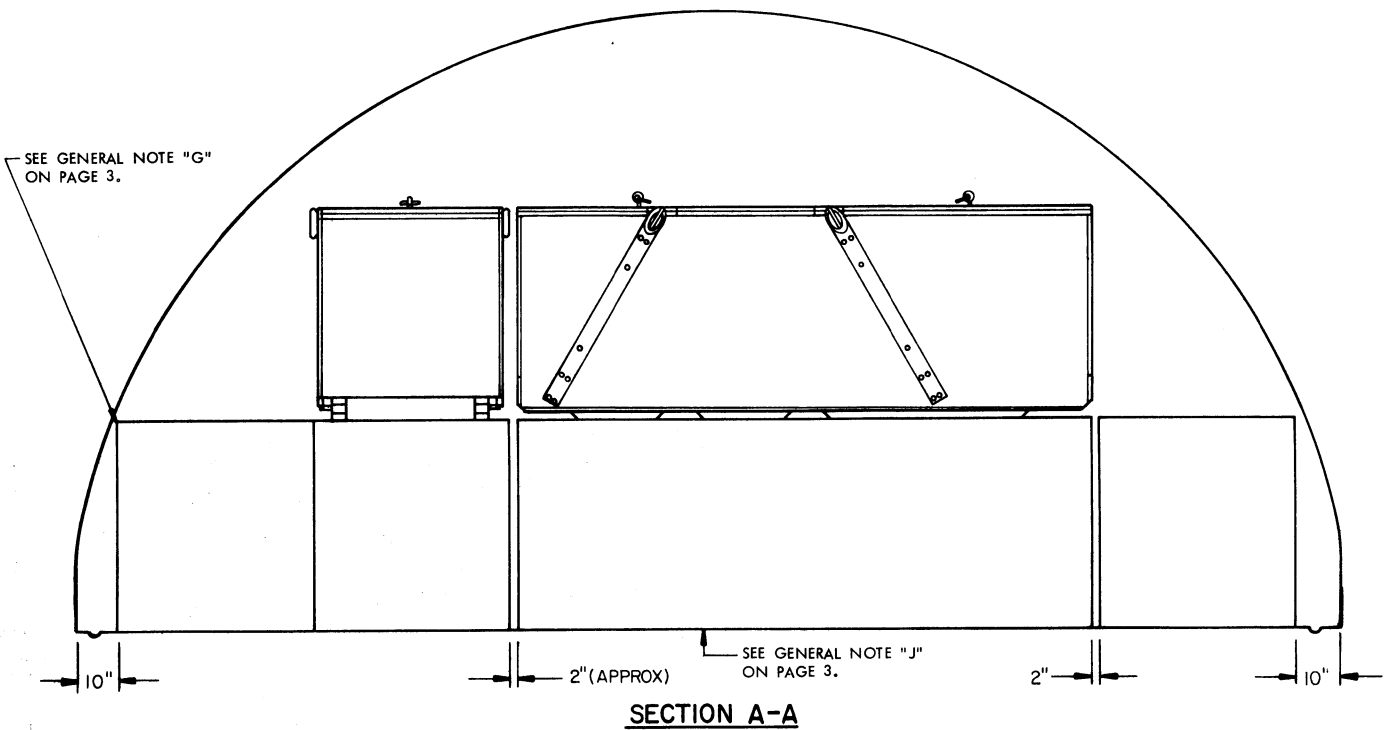
**STORAGE AS SHOWN  
80' IGLOO**

ITEM	QUANTITY
CONTAINER -----	56



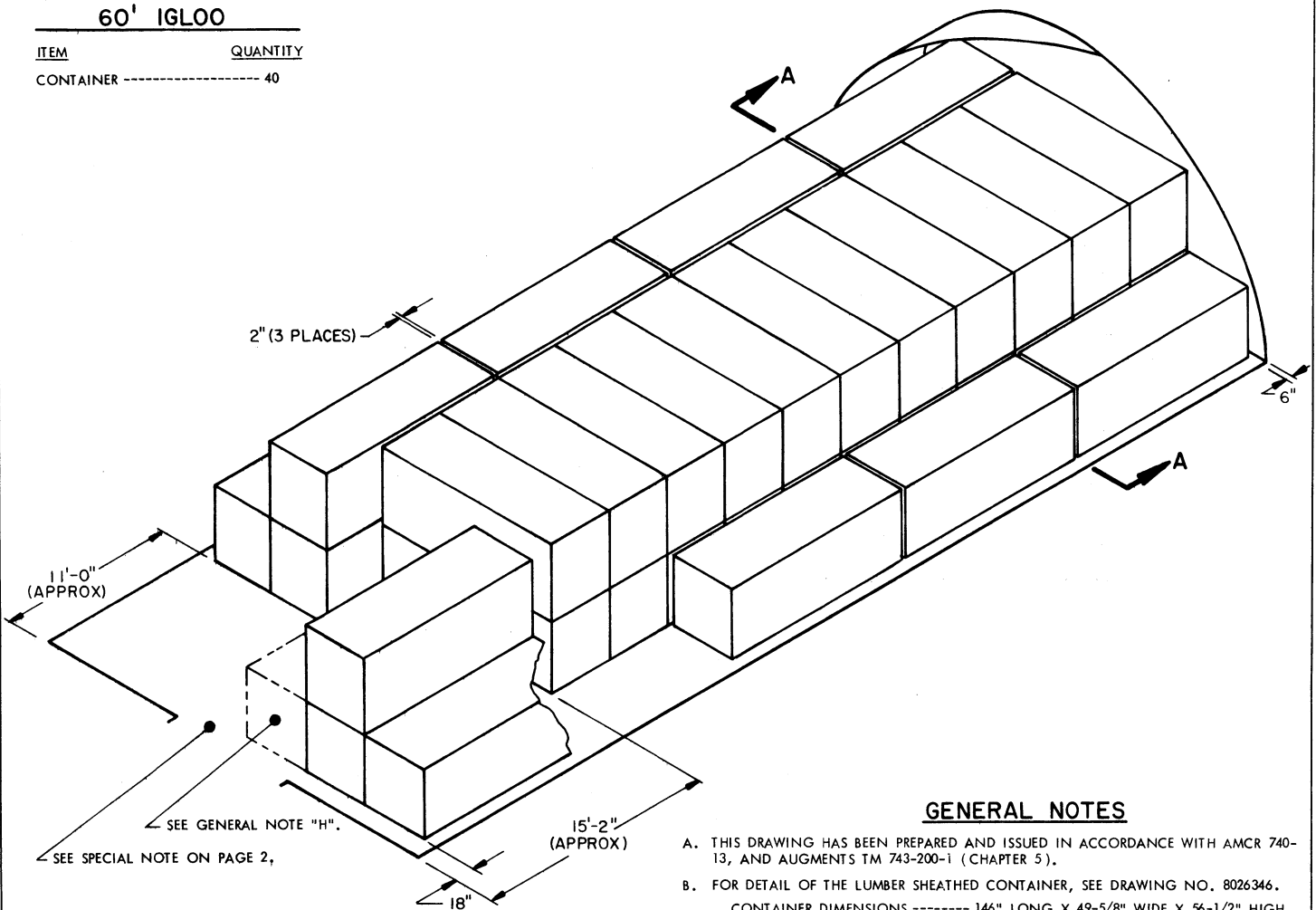
**SPECIAL NOTE:**

STORAGE AS SHOWN FOR LUMBER/PLYWOOD SHEATHED CONTAINERS CAN ONLY BE ACCOMPLISHED WITHIN IGLOO MAGAZINES WHICH HAVE DOUBLE DOORS.



**STORAGE AS SHOWN**  
**60' IGLOO**

ITEM	QUANTITY
CONTAINER -----	40



**ISOMETRIC VIEW**  
(60' IGLOO)

**REVISIONS**

REVISION NO. 3, DATED NOVEMBER 1969, CONSISTS OF:

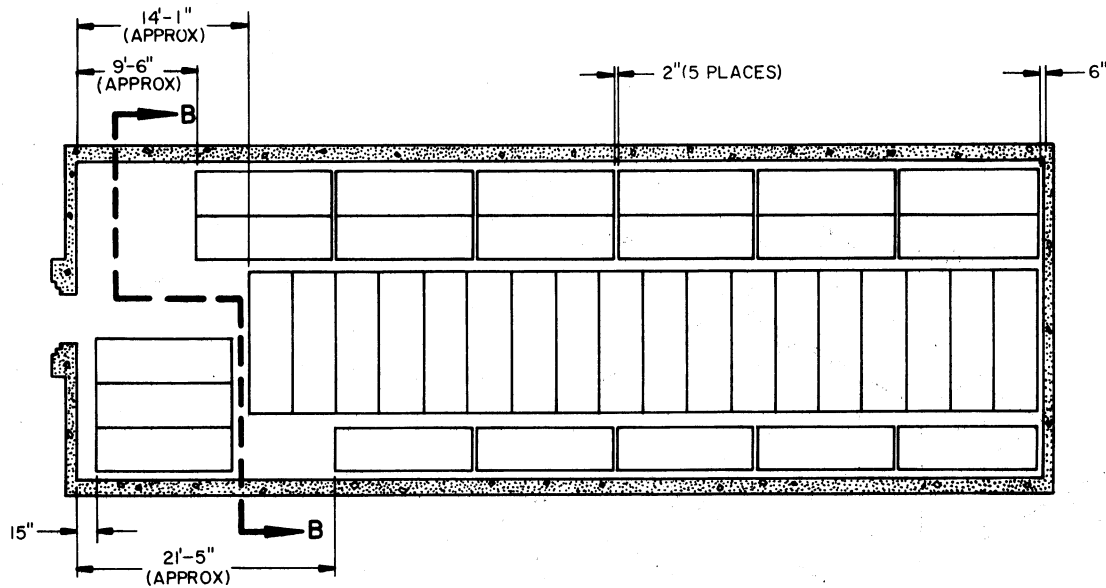
1. ALL REFERENCES TO CORPORAL GUIDED MISSILE DELETED.
2. PROCEDURES FOR XM473 CONTAINER ADDED.
3. PROCEDURES FOR LUMBER/PLYWOOD SHEATHED CONTAINER CHANGED TO INCREASE QUANTITY.
4. DRAWING FORMAT UPDATED.

**GENERAL NOTES**

- A. THIS DRAWING HAS BEEN PREPARED AND ISSUED IN ACCORDANCE WITH AMCR 740-13, AND AUGMENTS TM 743-200-1 (CHAPTER 5).
- B. FOR DETAIL OF THE LUMBER SHEATHED CONTAINER, SEE DRAWING NO. 8026346.  
CONTAINER DIMENSIONS ----- 146" LONG X 49-5/8" WIDE X 56-1/2" HIGH.  
GROSS WEIGHT W/HE WARHEAD -- 3,410 POUNDS (APPROX).  
EXPLOSIVE WEIGHT ----- 412 POUNDS (APPROX).
- C. FOR DETAIL OF THE PLYWOOD SHEATHED CONTAINER, SEE DRAWING NO. 8100000.  
CONTAINER DIMENSIONS ----- 144" LONG X 49-5/8" WIDE X 56-1/2" HIGH.  
GROSS WEIGHT W/HE WARHEAD -- 3,102 POUNDS (APPROX).  
EXPLOSIVE WEIGHT ----- 412 POUNDS (APPROX).
- D. FOR DETAIL OF THE XM473 CONTAINER, SEE DRAWING NO. 8824908 AND 8881082.  
CONTAINER DIMENSIONS ----- 140-1/4" LONG X 44-1/4" WIDE X 50-3/8" HIGH.  
GROSS WEIGHT W/PRACTICE  
WARHEAD ----- 2,898 POUNDS (APPROX).  
EXPLOSIVE WEIGHT ----- 3 POUNDS (APPROX).
- E. THE HE WARHEAD SECTION IS QD CLASS 7, COMPATIBILITY GROUP G.
- F. THE PRACTICE WARHEAD SECTION IS QD CLASS 2, COMPATIBILITY GROUP N.
- G. STORED CONTAINERS MUST NOT CONTACT THE WALLS OF A MAGAZINE. TO PROVIDE FOR THIS MANDATORY CLEARANCE REQUIREMENT, CONTAINERS MAY BE OMITTED FROM THE DEPICTED STORAGE PATTERN AS NECESSARY.
- H. THE QUANTITY OF CONTAINERS TO BE STORED MAY BE ADJUSTED TO SUIT LOCAL CONDITIONS AND/OR AVAILABLE MATERIAL HANDLING EQUIPMENT. IF THE AVAILABLE MHE PERMITS, ADDITIONAL MATERIALS MAY BE STORED WITHIN THE FRONTAL AREA OF THE MAGAZINE.
- J. POSITION SHIMS UNDER SKIDS AT ONE END OF CONTAINER AS REQUIRED TO PROVIDE FULL BEARING SURFACE FOR THE SKIDS.

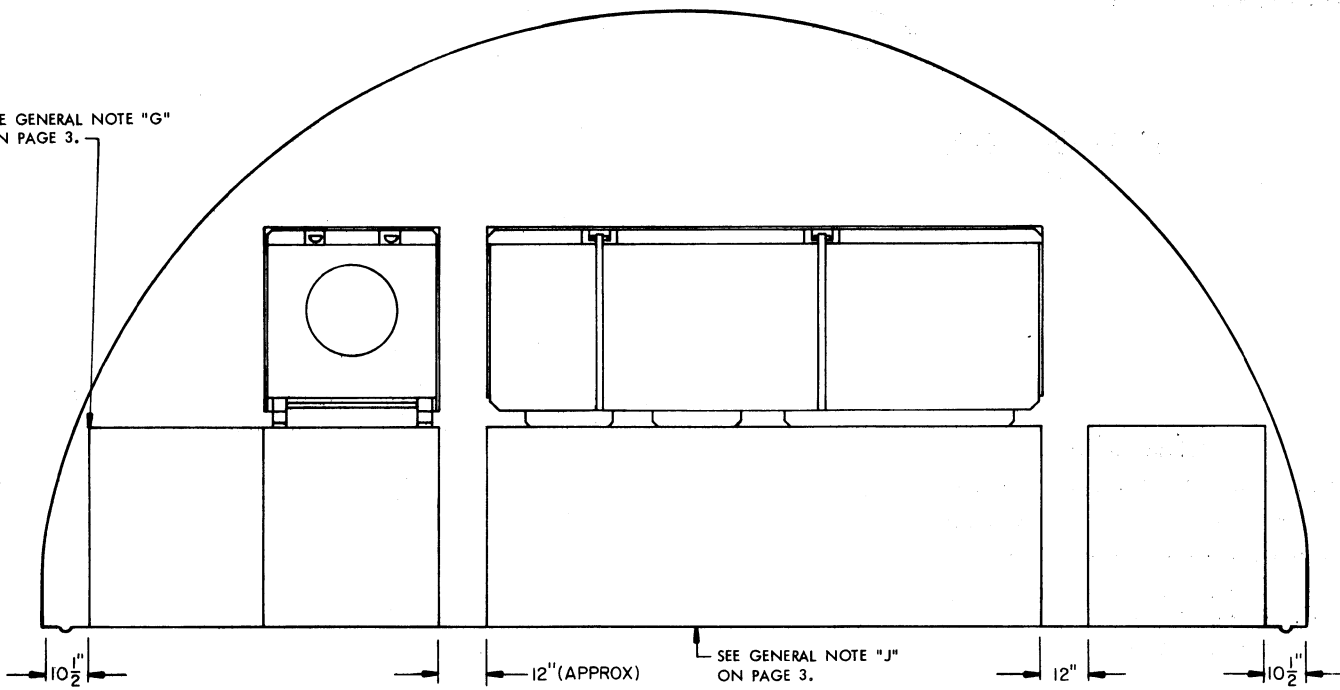
STORAGE AS SHOWN  
80' IGLOO

ITEM	QUANTITY
CONTAINER	64



**PLAN VIEW**  
(80' IGLOO)

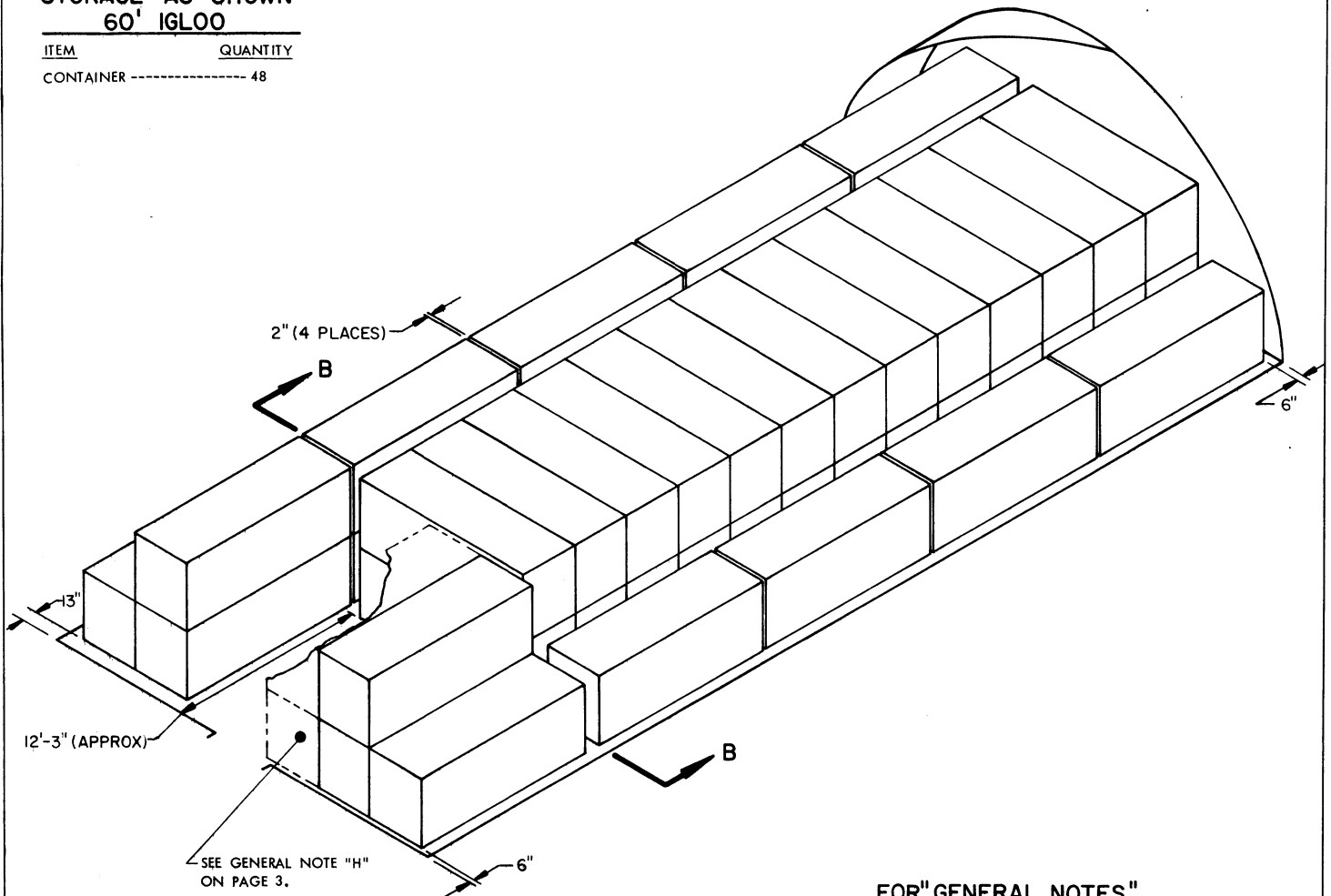
SEE GENERAL NOTE "G"  
ON PAGE 3.



**SECTION B-B**

**STORAGE AS SHOWN**  
**60' IGLOO**

ITEM	QUANTITY
CONTAINER -----	48



**ISOMETRIC VIEW**  
(60' IGLOO)

**FOR "GENERAL NOTES",  
SEE PAGE 3.**



10 10 10 10 10