

*O ~ 10/11/05*

DATE 10-11-2005

# APPENDIX 37A

## LOADING AND BRACING PROCEDURES FOR STRATEGIC CONFIGURED LOAD (SCL) ON CONTAINER ROLL IN/OUT PLATFORM (CROP)

### SCL #37A - 155MM HE M107

#### INDEX

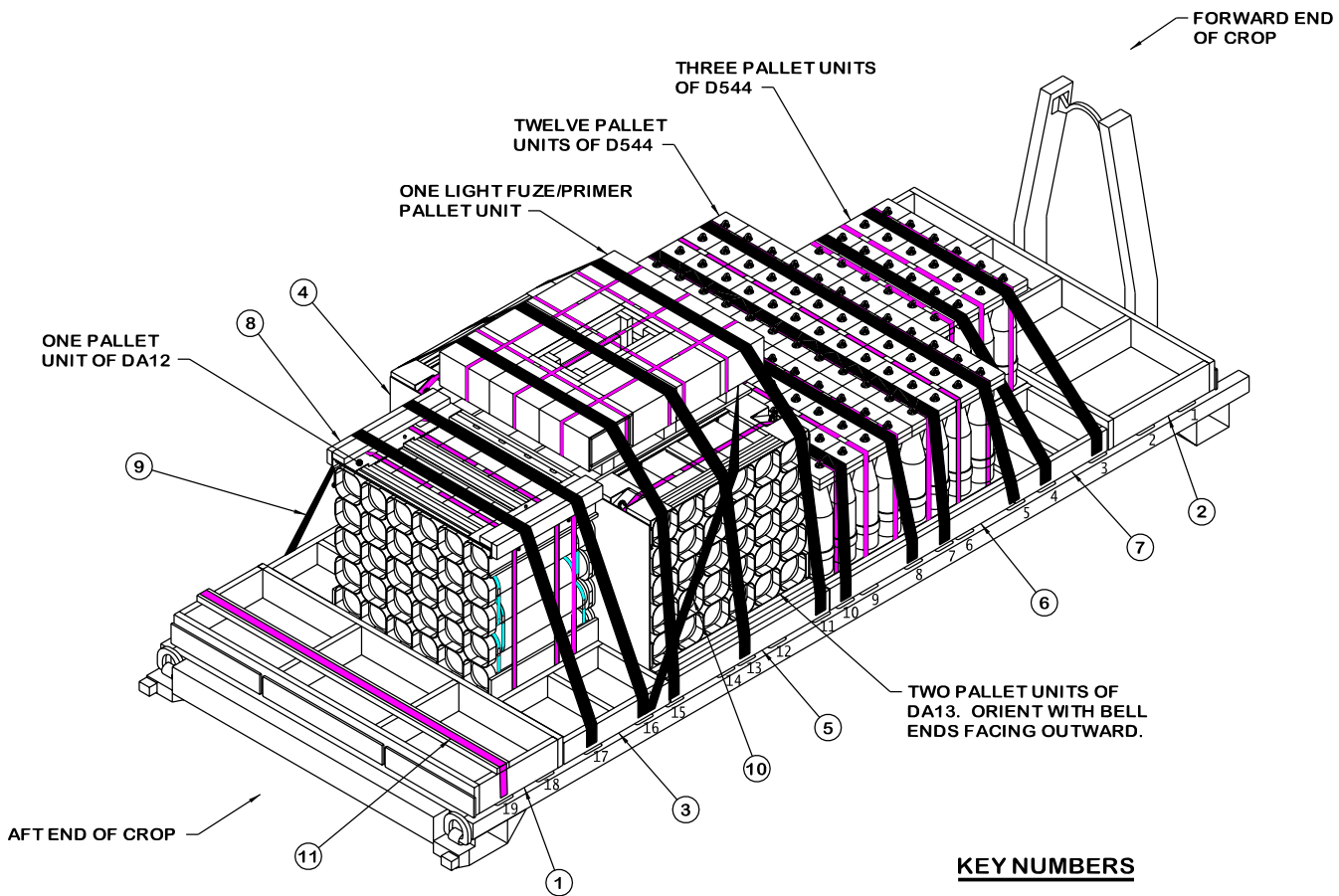
<u>ITEM</u>	<u>PAGE(S)</u>
TYPICAL LOADING PROCEDURES - - - - -	2
GENERAL NOTES AND SEQUENTIAL LOADING PROCEDURES - - - - -	3
PALLET UNIT DETAILS - - - - -	4-5
DETAILS - - - - -	6-8

**NOTICE: THIS APPENDIX CANNOT STAND ALONE BUT MUST BE USED IN CONJUNCTION WITH THE BASIC CROP OUTLOADING PROCEDURES DRAWING 19-48-4905-CA17Q6.**

- LOADING AND BRACING SPECIFICATIONS SET FORTH WITHIN THIS DRAWING ARE APPLICABLE TO LOADS THAT ARE TO BE SHIPPED BY TRAILER/CONTAINER-ON-FLATCAR (T/COFC) RAIL CARRIER SERVICE. THESE SPECIFICATIONS MAY ALSO BE USED FOR LOADS THAT ARE TO BE MOVED BY MOTOR OR WATER CARRIERS.

### U.S. ARMY MATERIEL COMMAND DRAWING

APPROVED, U.S. ARMY FIELD SUPPORT COMMAND	<b>CAUTION: VERIFY PRIOR TO USE AT WWW.DAC.ARMY.MIL THAT THIS IS THE MOST CURRENT VERSION OF THIS DOCUMENT. THIS IS PAGE 1 OF 8.</b>						
	<b>DO NOT SCALE</b>				<b>OCTOBER 2005</b>		
APPROVED BY ORDER OF COMMANDING GENERAL, U.S. ARMY MATERIEL COMMAND	ENGINEER OR TECHNICIAN	BASIC REV.	LAURA A. FIEFFER				
	TRANSPORTATION ENGINEERING DIVISION	<i>G. R. Wilho</i>					
	VALIDATION ENGINEERING DIVISION	TESTED	<i>Joseph J. ...</i>		CLASS	DIVISION	DRAWING
U.S. ARMY DEFENSE AMMUNITION CENTER	ENGINEERING DIRECTORATE	<i>...</i>		19	48	4905/ 37A	CA17Q6



**ISOMETRIC VIEW**

(KEY NUMBERS CONTINUED)

- ⑧ STRAPPING BOARD ASSEMBLY (2 REQD). SEE THE DETAIL ON PAGE 8. INSTALL ON THE EDGES OF THE DA12 PALLET UNIT.
- ⑨ HOLD-DOWN STRAP, 3-INCH WIDE WEB STRAP TIEDOWN ASSEMBLY FOR CROP (11 REQD). INSTALL EACH HOLD-DOWN STRAP TO EXTEND FROM THE DESIGNATED TIEDOWN ANCHOR ON ONE SIDE OF CROP, OVER THE TOP OF THE PALLET UNIT(S), TO THE CORRESPONDING TIEDOWN ANCHOR ON THE OPPOSITE SIDE OF THE CROP. ALIGN SCUFF SLEEVES OVER ALL SHARP EDGES AND FIRMLY TENSION STRAP. SEE GENERAL NOTE "G" ON PAGE 3.
- ⑩ FORWARD END RESTRAINT STRAP, 3-INCH WIDE WEB STRAP TIEDOWN ASSEMBLY FOR CROP (1 REQD). INSTALL THE STRAP FROM THE SIXTEENTH TIEDOWN ANCHOR ON ONE SIDE OF THE CROP, OVER A DA13 PALLET UNIT, AROUND FORWARD PALLET POSTS OF THE LIGHT FUZE/PRIMER PALLET UNIT, AND BACK DOWN OVER A DA13 PALLET UNIT TO THE SIXTEENTH TIEDOWN ANCHOR ON THE OPPOSITE SIDE OF THE CROP. ALIGN SCUFF SLEEVES OVER ALL SHARP EDGES AND FIRMLY TENSION STRAP. SEE GENERAL NOTE "G" ON PAGE 3.
- ⑪ RETAINER STRAP, 2" WIDE WEB STRAP TIEDOWN ASSEMBLY (1 REQD). INSTALL TO EXTEND FROM THE NINETEENTH TIEDOWN RING ON ONE SIDE OF THE CROP, OVER THE TOP OF THE STRAPPING BOARD OF THE AFT FILLER ASSEMBLY, TO THE NINETEENTH TIEDOWN RING ON THE OPPOSITE SIDE OF THE CROP. POSITION SCUFF SLEEVES OVER ALL SHARP EDGES AND FIRMLY TENSION STRAP. SEE GENERAL NOTE "G" ON PAGE 3.

**KEY NUMBERS**

- ① AFT FILLER ASSEMBLY (1 REQD). SEE DETAIL ON PAGE 6. CENTER AGAINST AFT CROP END GATE AND, AFTER THE PALLET UNITS ARE LOADED, NAIL W/2-12d NAILS THRU THE SLOTS IN THE AFT CROP END GATE INTO THE AFT FILLER ASSEMBLY, LEAVING THE NAIL HEADS PROTRUDING THRU THE SLOTS TO PROVIDE LATERAL RESTRAINT.
- ② FORWARD FILLER ASSEMBLY (1 REQD). SEE DETAIL ON PAGE 6. CENTER AGAINST FORWARD CROP END GATE AND, AFTER THE PALLET UNITS ARE LOADED, NAIL W/2-12d NAILS THRU THE HOLES IN THE FORWARD CROP END GATE INTO THE FORWARD FILLER ASSEMBLY, LEAVING THE NAIL HEADS PROTRUDING THRU THE HOLES TO PROVIDE LATERAL AND VERTICAL RESTRAINT.
- ③ SIDE BLOCKING ASSEMBLY A (2 REQD). SEE THE DETAIL ON PAGE 7. INSTALL ONE ON EACH SIDE OF THE CROP ADJACENT TO THE DA12 PALLET UNIT. AFTER THE HOLD-DOWN STRAPS ARE INSTALLED, NAIL THROUGH THE STRAP ATTACHMENT SLOTS OF TWO HOLD-DOWN STRAPS INTO SIDE BLOCKING W/1-10d PARTIALLY DRIVEN NAIL AND BEND OVER SIDE OF HOOK.
- ④ SEPARATOR GATE (2 REQD). SEE THE DETAIL ON PAGE 8.
- ⑤ SIDE BLOCKING ASSEMBLY B (2 REQD). SEE THE DETAIL ON PAGE 7. INSTALL ONE ON EACH SIDE OF THE CROP ADJACENT TO THE DA13 PALLET UNITS. AFTER THE HOLD-DOWN STRAPS ARE INSTALLED, NAIL THROUGH THE STRAP ATTACHMENT SLOTS OF TWO HOLD-DOWN STRAPS (ONE AT EACH END OF THE ASSEMBLY) INTO SIDE BLOCKING W/1-10d PARTIALLY DRIVEN NAIL AND BEND OVER SIDE OF HOOK.
- ⑥ SIDE FILL, 2" X 6" X 54" (DOUBLED) (2 REQD). LAMINATE THE SECOND PIECE TO THE FIRST PIECE W/5-10d NAILS. POSITION AGAINST THE D544 PALLETS ON BOTH SIDES OF THE CROP. AFTER THE HOLD-DOWN STRAPS ARE INSTALLED, NAIL THROUGH THE STRAP ATTACHMENT SLOTS OF TWO HOLD-DOWN STRAPS (ONE AT EACH END OF THE ASSEMBLY) INTO THE SIDE BLOCKING W/1-10d NAIL PARTIALLY DRIVEN AND BENT OVER SIDE OF HOOK.
- ⑦ SIDE BLOCKING ASSEMBLY C (2 REQD). SEE THE DETAIL ON PAGE 7. INSTALL ONE ON EACH SIDE OF THE CROP ADJACENT TO THE ROW OF THREE D544 PALLET UNITS. AFTER THE HOLD-DOWN STRAPS ARE INSTALLED, NAIL THROUGH THE STRAP ATTACHMENT SLOTS OF TWO HOLD-DOWN STRAPS INTO SIDE BLOCKING W/1-10d PARTIALLY DRIVEN NAIL AND BEND OVER SIDE OF HOOK.

**RECOMMENDED SEQUENTIAL PROCEDURES**

1. PREFABRICATE THE AFT FILLER ASSEMBLY, THE FORWARD FILLER ASSEMBLY, TWO SIDE BLOCKING ASSEMBLIES "A", TWO SIDE BLOCKING ASSEMBLIES "B", TWO SIDE BLOCKING ASSEMBLIES "C", TWO STRAPPING BOARD ASSEMBLIES, AND TWO SEPARATOR GATES.
2. INSTALL THE AFT FILLER ASSEMBLY.
3. LOAD ONE DA12 PALLET UNIT, CROSSWISE, CENTERING LATERALLY ON THE CROP.
4. INSTALL ONE SEPARATOR GATE, WITH THE HOLD DOWN PIECES AWAY FROM THE DA12 PALLET UNITS.
5. LOAD ONE ROW OF TWO PALLET UNITS OF DA13 AGAINST THE SEPARATOR GATE, CENTERING THE ROW LATERALLY ON THE CROP.
6. INSTALL ONE SEPARATOR GATE, WITH THE HOLD DOWN PIECES UNDER THE DA13 PALLET UNITS.
7. LOAD TWO ROWS OF SIX PALLET UNITS OF D544 AGAINST THE SEPARATOR GATE, CENTERING LATERALLY ON THE CROP.
8. LOAD ONE ROW OF THREE PALLET UNITS OF D544 AGAINST THE D515 PALLET UNITS, CENTERING LATERALLY ON THE CROP.
9. INSTALL THE FORWARD FILLER ASSEMBLY.
10. LOAD THE LIGHT FUZE/PRIMER PALLET UNIT ON TOP OF THE ROW OF DA13 PALLET UNITS, TIGHT AGAINST THE DA12 PALLET UNIT. CENTER AND ALIGN WITH THE STRONG POINTS OF THE DA13 ROW.
11. INSTALL THE TWO SIDE BLOCKING ASSEMBLIES "A", ONE ON EITHER SIDE OF THE DA12 PALLET UNIT.
12. INSTALL THE TWO SIDE BLOCKING ASSEMBLIES "B", ONE ON EITHER SIDE OF THE DA13 PALLET UNITS.
13. INSTALL THE SIDE FILL AGAINST THE TWO ROWS OF SIX PALLET UNITS OF D544, ONE SET ON EITHER SIDE.
14. INSTALL THE TWO SIDE BLOCKING ASSEMBLIES "C", ONE ON EITHER SIDE OF THE THREE D544 PALLET UNITS.
15. INSTALL 11 WEB STRAP TIEDOWN ASSEMBLIES AS DELINEATED IN KEY NUMBER ⑨.
16. INSTALL THE FORWARD END RESTRAINT STRAP AS DELINEATED IN KEY NUMBER ⑩.
17. NAIL THROUGH THE STRAP ATTACHMENT SLOT OF A HOLD-DOWN STRAP INTO TO EACH END OF THE SIDE BLOCKING ASSEMBLIES W/1-10d PARTIALLY DRIVEN NAIL AND BEND OVER SIDE OF HOOK.
18. INSTALL RETAINER STRAP AS DELINEATED IN KEY NUMBER ⑪.
19. NAIL TWO 12d RETAINING NAILS THRU THE SLOTS IN THE AFT CROP END GATE AS DELINEATED IN KEY NUMBER ①.
20. NAIL THE TWO REMAINING 12d RETAINING NAILS THRU THE HOLES IN THE FORWARD CROP END GATE AS DELINEATED IN KEY NUMBER ②.

**GENERAL NOTES**

- A. THIS APPENDIX CANNOT STAND ALONE BUT MUST BE USED IN CONJUNCTION WITH THE BASIC LOADING PROCEDURES DRAWING 19-48-4905-CA17Q6. TO PRODUCE AN APPROVED LOAD, ALL PERTINENT PROCEDURES, SPECIFICATIONS AND CRITERIA SET FORTH WITHIN THE BASIC DRAWING WILL APPLY TO THE PROCEDURES DELINEATED IN THIS APPENDIX. ANY EXCEPTIONS TO THE BASIC PROCEDURES ARE SPECIFIED IN THIS APPENDIX.
- B. THE OUTLOADING PROCEDURES DEPICTED IN THIS DRAWING ARE APPLICABLE TO LOADS OF SCL #37A. SEE PAGES 4 AND 5 FOR DETAILS OF THE PALLET UNITS. AN M3A1 (HYUNDAI) CROP IS SHOWN AS TYPICAL. OTHER MANUFACTURER'S CROPS CAN BE USED FOR THE LOAD SHOWN ON PAGE 2. THE SEQUENTIAL LOADING PROCEDURES DEPICTED AT LEFT DESCRIBE THE SEQUENCE USED TO LOAD AN M3A1 CROP. FOR AN M3 (SUMMA) CROP, SEQUENTIAL LOADING PROCEDURES 2 THROUGH 9 MUST BE REVERSED. ACTUAL CROP CONFIGURATION WILL DETERMINE WHETHER THE SEQUENTIAL LOADING STARTS AT THE AFT OR THE FORWARD END OF THE CROP.
- C. THE LOADING PROCEDURES DEPICTED HEREIN MAY ALSO BE USED FOR OUTLOADING SIMILAR SCL LOADS WHEN IDENTIFIED BY DIFFERENT NATIONAL STOCK NUMBERS (NSN) THAN WHAT IS SHOWN ON PAGE 4, PROVIDED THE OVERALL PALLET UNIT DIMENSIONS DO NOT VARY FROM WHAT IS DELINEATED HEREIN.
- D. DIMENSIONS, CUBE AND WEIGHT OF THE PALLET UNITS WILL VARY SLIGHTLY DEPENDING UPON THE ACTUAL DIMENSIONS OF THE BOXES AND THE WEIGHT OF THE SPECIFIC ITEM BEING UNITIZED.
- E. ALTERNATE NSN/DODIC COMBINATIONS ARE SHOWN IN THE CHART ON PAGE 4. THESE ALTERNATES MAY BE SUBSTITUTED FOR SOME OR ALL THE DEPICTED NSN/DODICS IF NECESSARY DUE TO THE ITEMS OR QUANTITIES ON HAND.
- F. DIMENSIONS GIVEN FOR DUNNAGE ASSEMBLIES WILL BE FIELD CHECKED PRIOR TO THEIR ASSEMBLY. PALLET UNITS MUST FIT SNUGLY AGAINST THE DUNNAGE ASSEMBLIES. THIS GUIDANCE MUST BE APPLIED PRIOR TO BEGINNING AN OUTLOADING OPERATION. ALSO, DUE TO VARIATION OF PALLET UNIT DIMENSIONS, ADJUSTMENTS MAY BE REQUIRED AS TO THE LOCATION OF CERTAIN PIECES ON DUNNAGE ASSEMBLIES.
- G. ALL WEB STRAP TIEDOWN ASSEMBLIES MUST HAVE THE EXCESS LENGTH OF THE STRAP SECURED. ROLL UP AND BUNDLE THE EXCESS LENGTH OF WEB STRAP, SECURING WITH CABLE TIES. SEE THE "STRAP END SECUREMENT" DETAIL AND GENERAL NOTE "K.12" IN THE BASIC PROCEDURE DRAWING 19-48-4905-CA17Q6.
- H. UNUSED WEB STRAP TIEDOWN ASSEMBLIES MUST BE SECURED AS DELINEATED IN GENERAL NOTE "K.13" IN THE BASIC PROCEDURES DRAWING 19-48-4905-CA17Q6.
- J. CONVERSION TO METRIC EQUIVALENTS: DIMENSIONS WITHIN THIS DOCUMENT ARE EXPRESSED IN INCHES, AND WEIGHTS ARE EXPRESSED IN POUNDS. WHEN NECESSARY, THE METRIC EQUIVALENTS MAY BE COMPUTED ON THE BASIS OF ONE INCH EQUALS 25.4MM AND ONE POUND EQUALS 0.454 KG.

**BILL OF MATERIAL**

LUMBER	LINEAR FEET	BOARD FEET
2" X 3" (ACTUAL)	5	3
2" X 4"	26	17
2" X 6"	88	88
2" X 8"	49	65
NAILS	NO. REQD	POUNDS
6d (2")	12	1/4
10d (3")	214	3-1/2
12d (3-1/4")	4	1/4
PLYWOOD, 1/4" - - -	44.33 SQ FT REQD	- - 30-1/2 LBS
2" WEB STRAP TIEDOWN ASSY - - -	1 REQD	- - - 6 LBS

**LOAD AS SHOWN**

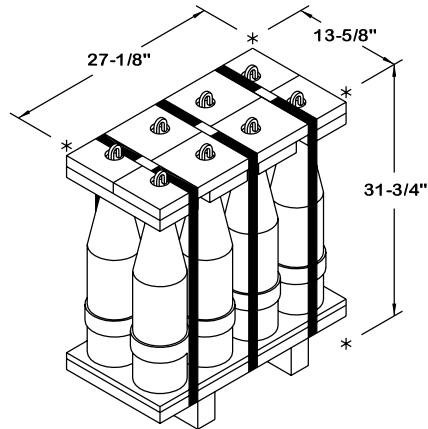
ITEM	QUANTITY	WEIGHT (APPROX)
D544 PALLET UNIT - - - -	15 - - - - -	11,910 LBS
DA12 PALLET UNIT - - - -	1 - - - - -	1,297 LBS
DA13 PALLET UNIT - - - -	2 - - - - -	3,670 LBS
LIGHT FUZE/ PRIMER PALLET UNIT - - - -	1 - - - - -	541 LBS
DUNNAGE - - - - -	- - - - -	384 LBS
CROP - - - - -	- - - - -	3,800 LBS
TOTAL WEIGHT - - - - -		21,602 LBS (APPROX)

## SCL #37A COMPOSITION CHART

DODIC	NSN	NOMENCLATURE	UNIT DWG	REQD	UNITS REQD	HC
D544 *	1320-00-926-9319	PROJ, 155MM HE M107	9362569	120	15 PALLETS	1. 1D
DA12	1320-01-454-4603	MODULAR ARTILLERY CHARGE SYSTEM (MACS), M231	4326/50	120	1 PALLET	1. 3C
DA13	1320-01-457-4063	MODULAR ARTILLERY CHARGE SYSTEM (MACS), M232	4326/50A	300	2 PALLETS	1. 3C
N290 ^	1390-01-283-6532	FUZE, ELECTRONIC TIME W/BOOSTER M767	4116/156S	48	3 BOXES	1. 2. 2D
N291 ^	1390-01-309-6452	FUZE, PROXIMITY W/BOOSTER M732A2	4116/156	48	3 BOXES	1. 2. 2D
N340 ^	1390-01-132-7481	FUZE, PD W/O BOOSTER M739A1	4116/156S	48	3 BOXES	1. 2. 2D
N523	1390-01-481-2024	PRIMER, PERCUSSION M82	4116/158G	200	1 BOX	1. 4S

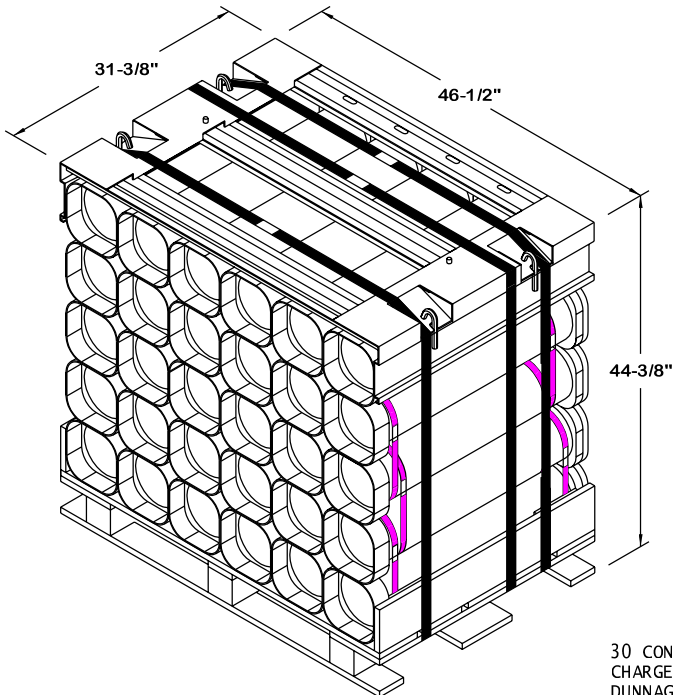
**NOTE: THE DODICS LISTED BELOW MAY BE USED AS ALTERNATES FOR THE DODICS WITH MATCHING SYMBOLS SHOWN ABOVE IF THE QUANTITY OF THE DODICS SHOWN ABOVE IS INSUFFICIENT.**

D544 *	1320-01-257-4222	PROJ, 155MM HE M107	9362569			1. 1D
NA08 ^	1390-01-436-2308	FUZE, MOFA W/BOOSTER M773	4116/156			1. 2. 2D



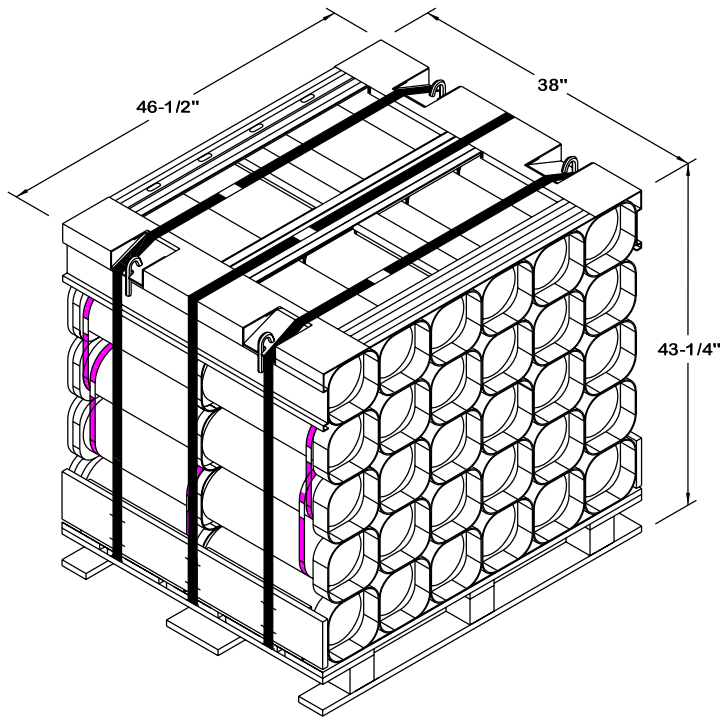
### D544 PALLET UNIT DETAIL

8 155MM CTG @ 94-5/8 LBS	757 LBS (APPROX)
DUNNAGE AND PALLET	37 LBS
<hr/>	
TOTAL WEIGHT	794 LBS (APPROX)
CUBE	6.8 CU FT (APPROX)



### DA12 PALLET UNIT DETAIL

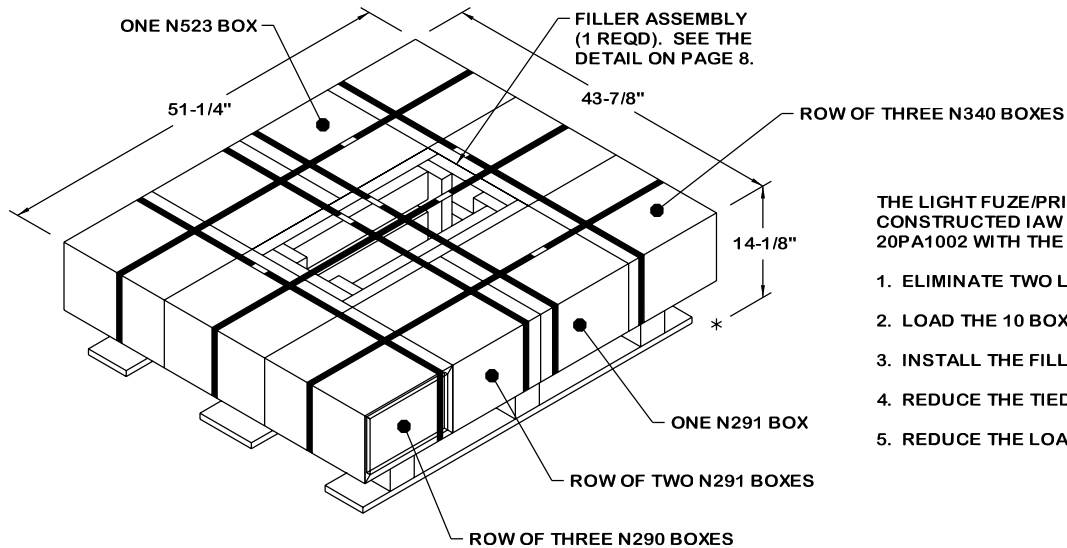
30 CONTAINERS OF MACS PROPELLING CHARGES (4 PER CONTAINER) @ 38 LBS	1,140 LBS (APPROX)
DUNNAGE	97 LBS
PALLET	60 LBS
<hr/>	
TOTAL WEIGHT	1,297 LBS (APPROX)
CUBE	37.5 CU FT (APPROX)



**DA13 PALLET UNIT DETAIL**

30 CONTAINERS OF MACS PROPELLING  
 CHARGES (5 PER CONTAINER) @ 55 LBS - - 1, 650 LBS (APPROX)  
 DUNNAGE - - - - - 110 LBS  
 PALLET - - - - - 75 LBS

TOTAL WEIGHT - - - - - 1, 835 LBS (APPROX)  
 CUBE - - - - - 44.3 CU FT (APPROX)



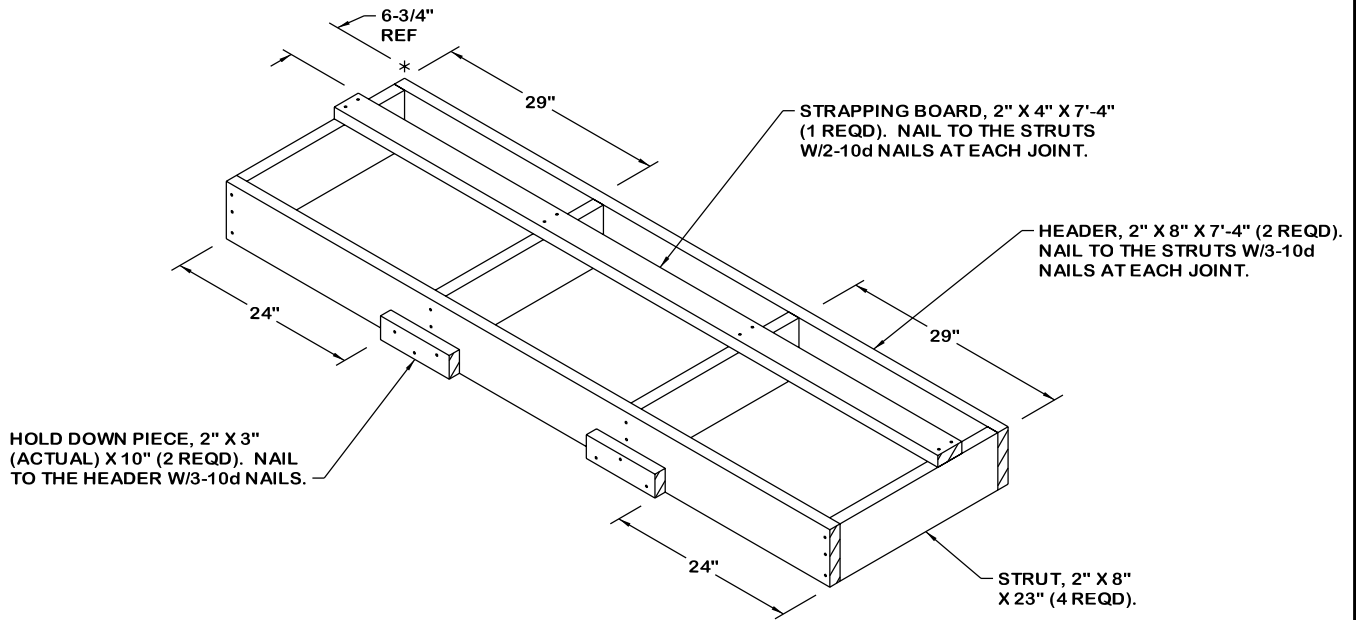
THE LIGHT FUZE/PRIMER PALLET UNIT SHOULD BE  
 CONSTRUCTED IAW AMC DRAWING 19-48-4116/156S-  
 20PA1002 WITH THE FOLLOWING CHANGES:

1. ELIMINATE TWO LAYER OF BOXES (24 BOXES).
2. LOAD THE 10 BOXES OF FUZES AND PRIMERS.
3. INSTALL THE FILLER ASSEMBLY.
4. REDUCE THE TIEDOWN STRAP LENGTH TO 9'-10".
5. REDUCE THE LOAD STRAP LENGTH TO 11'-1".

**LIGHT FUZE/PRIMER PALLET UNIT DETAIL**

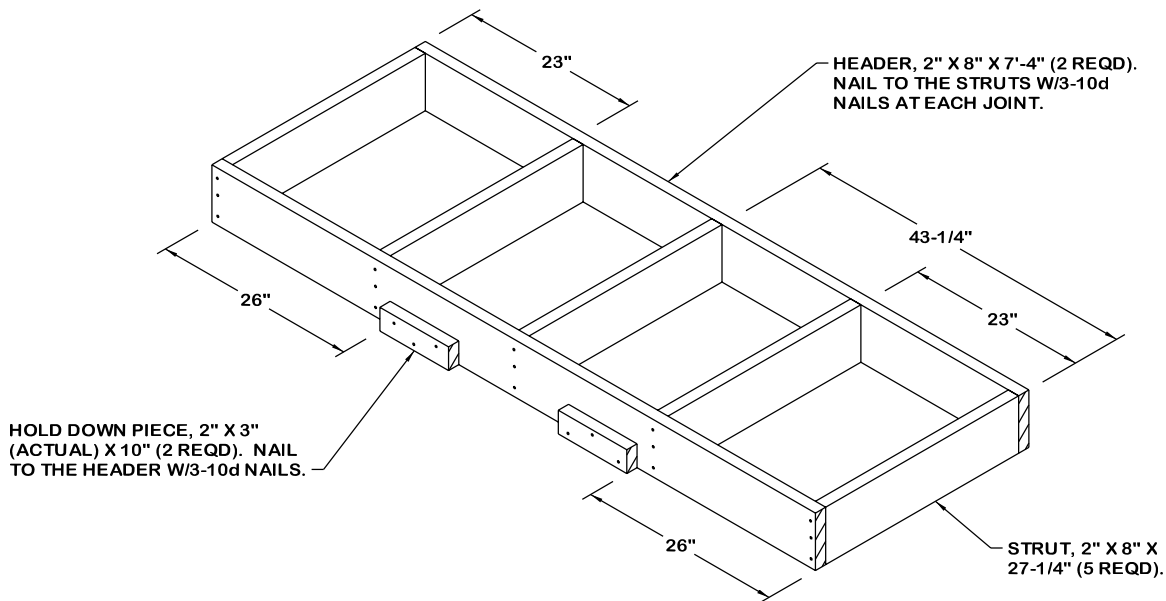
3 BOXES OF N290 (16 PER BOX) AT 42 LBS - - 126 LBS (APPROX)  
 3 BOXES OF N291 (16 PER BOX) AT 42 LBS - - 126 LBS (APPROX)  
 3 BOXES OF N340 (16 PER BOX) AT 46 LBS - - 138 LBS (APPROX)  
 1 BOX OF N523 (200 PER BOX) AT 34 LBS - - 34 LBS (APPROX)  
 DUNNAGE - - - - - 37 LBS  
 PALLET - - - - - 80 LBS

TOTAL WEIGHT - - - - - 541 LBS (APPROX)  
 CUBE - - - - - 18.4 CU FT (APPROX)



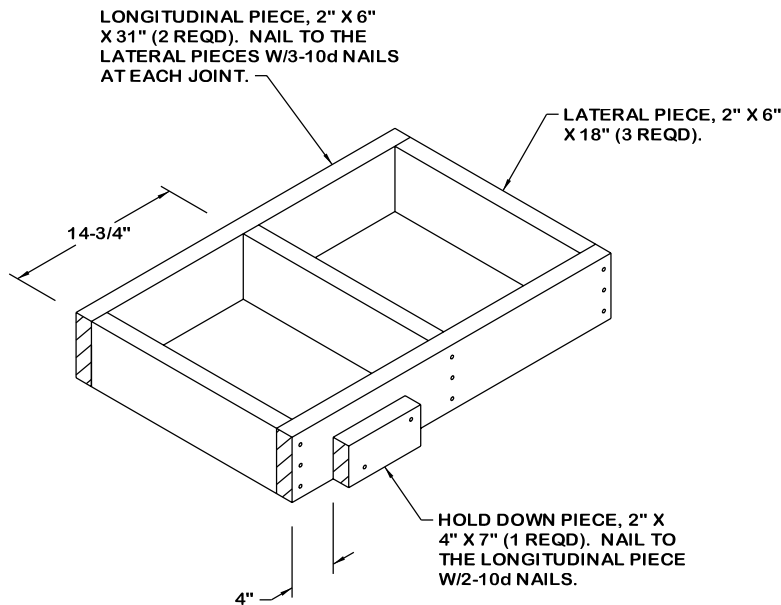
**AFT FILLER ASSEMBLY**

INSTALL WITH THE HOLD DOWN PIECES TOWARDS THE LADING. ENSURE THAT THE STRAPPING BOARD IS IN ALIGNMENT WITH THE NINETEENTH TIEDOWN ANCHOR.



**FORWARD FILLER ASSEMBLY**

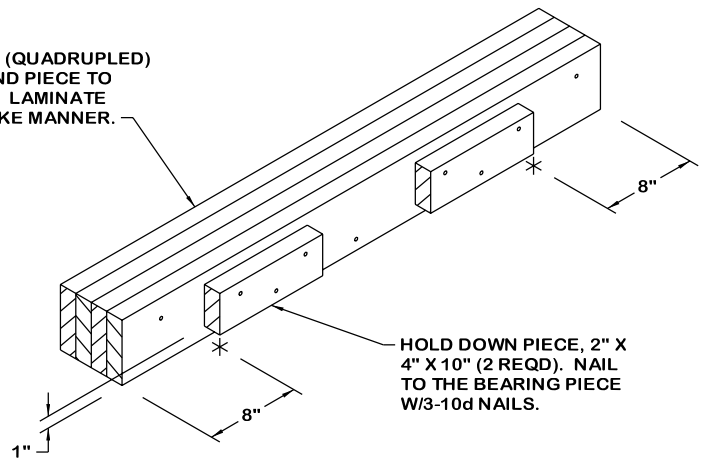
INSTALL WITH THE HOLD DOWN PIECES TOWARDS THE LADING. STRUT LENGTH MAY BE MODIFIED TO PROVIDE FOR A TIGHT END OF LOAD FIT.



**SIDE BLOCKING ASSEMBLY A**

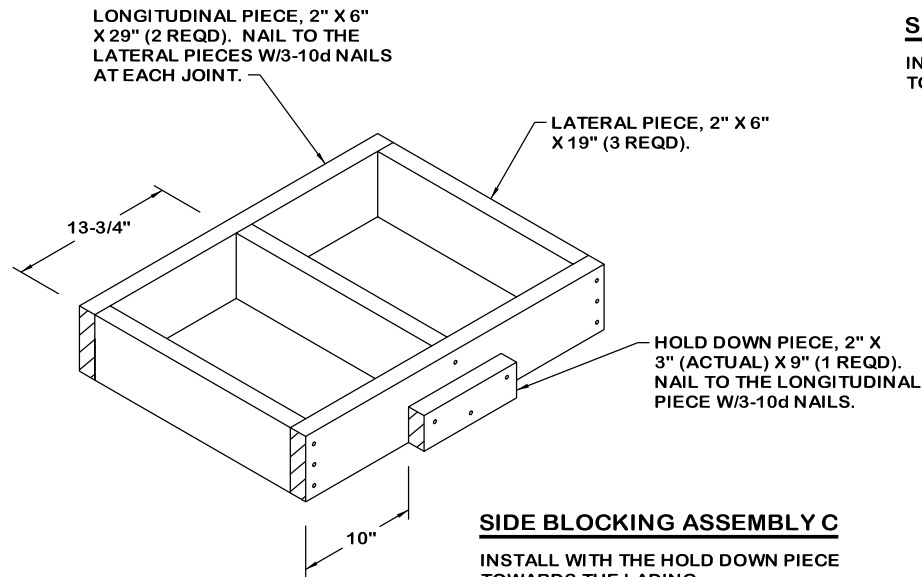
INSTALL WITH THE HOLD DOWN PIECE TOWARDS THE LADING.

BEARING PIECE, 2" X 6" X 46-1/2" (QUADRUPLED) (1 REQD). LAMINATE THE SECOND PIECE TO THE FIRST PIECE W/3-10d NAILS. LAMINATE EACH ADDITIONAL PIECE IN A LIKE MANNER.



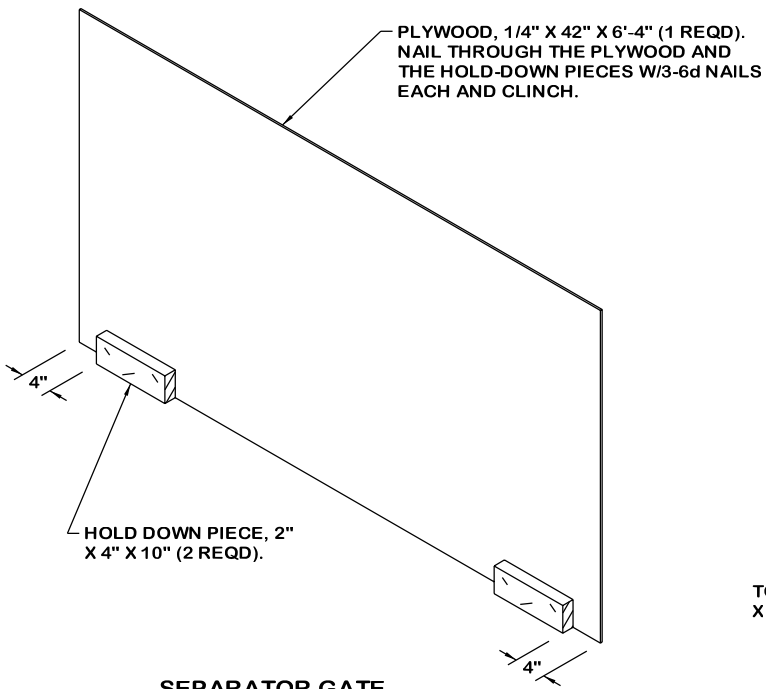
**SIDE BLOCKING ASSEMBLY B**

INSTALL WITH THE HOLD DOWN PIECES TOWARDS THE LADING.



**SIDE BLOCKING ASSEMBLY C**

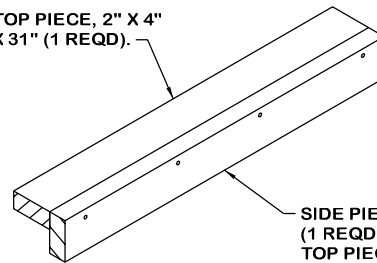
INSTALL WITH THE HOLD DOWN PIECE TOWARDS THE LADING.



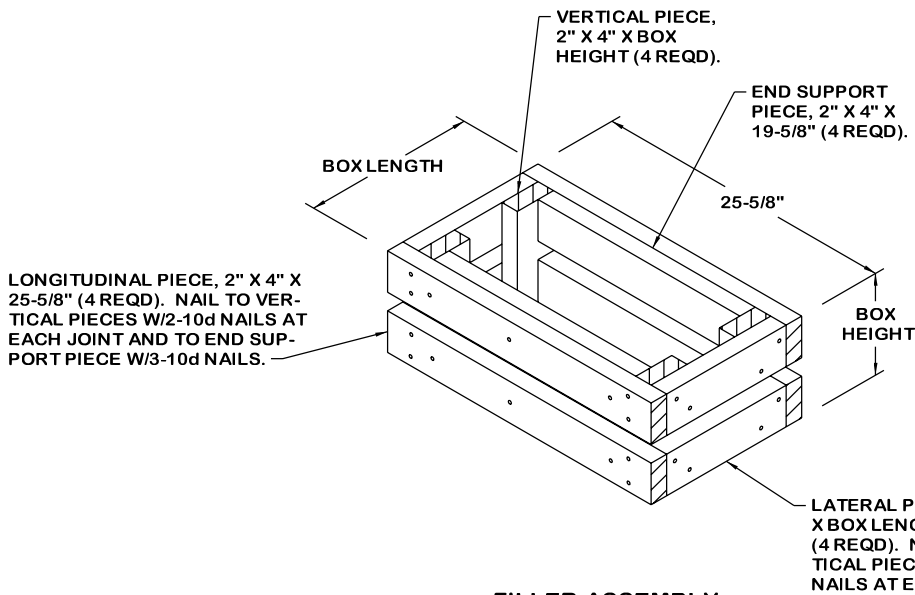
**SEPARATOR GATE**

INSTALL WITH THE HOLD DOWN PIECES  
TOWARDS THE DA13 PALLET UNITS.

TOP PIECE, 2" X 4"  
X 31" (1 REQD).



**STRAPPING BOARD ASSEMBLY**



**FILLER ASSEMBLY**