

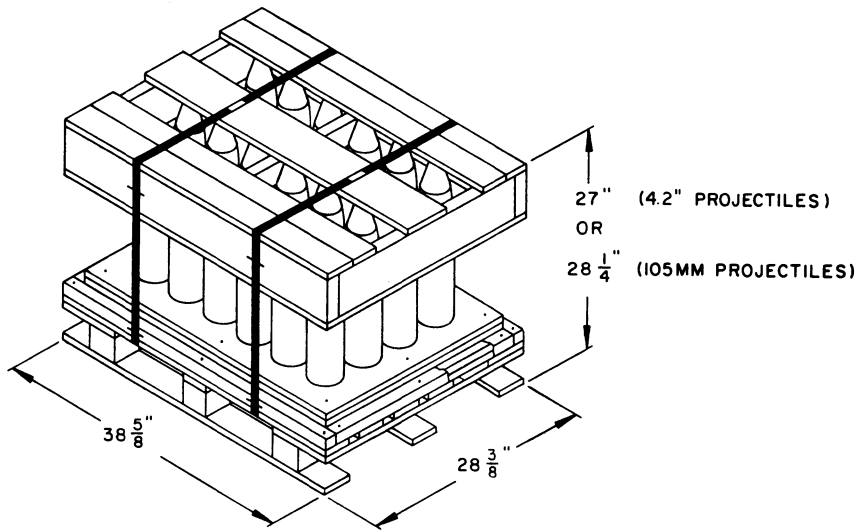
# STORAGE IN ARCH TYPE MAGAZINES OF CHEMICAL FILLED PROJECTILES, 105MM AND 4.2-INCH, UNITIZED 24 PROJECTILES PER SPECIAL 4-WAY ENTRY PALLET

REVISIONS				DRAFTSMAN	PROJ ENG		
				5W	MWD/WRF		
				CHECKER	LOG ENGRG OFFICE		
				410	2062...		
				APPROVED, U.S. ARMY ARMAMENT, MUNITIONS AND CHEMICAL COMMAND			
				<i>Martin</i>			
				APPROVED BY ORDER OF COMMANDING GENERAL, U.S. ARMY MATERIAL COMMAND (AMC)			
				<i>William F. Ernst</i>			
				U.S. ARMY DEFENSE AMMUNITION CENTER AND SCHOOL			
				U.S. ARMY AMC DRAWING			
				JANUARY 1988			
				CLASS	DIVISION	DRAWING	FILE
				19	48	4539	CBI - 14PE2

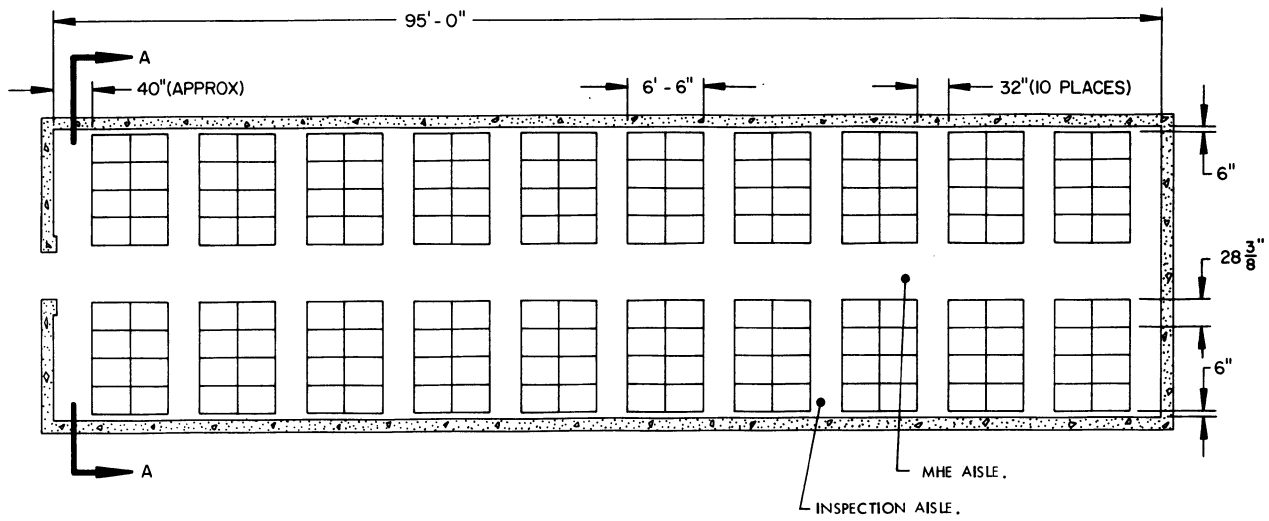
DO NOT SCALE

## GENERAL NOTES

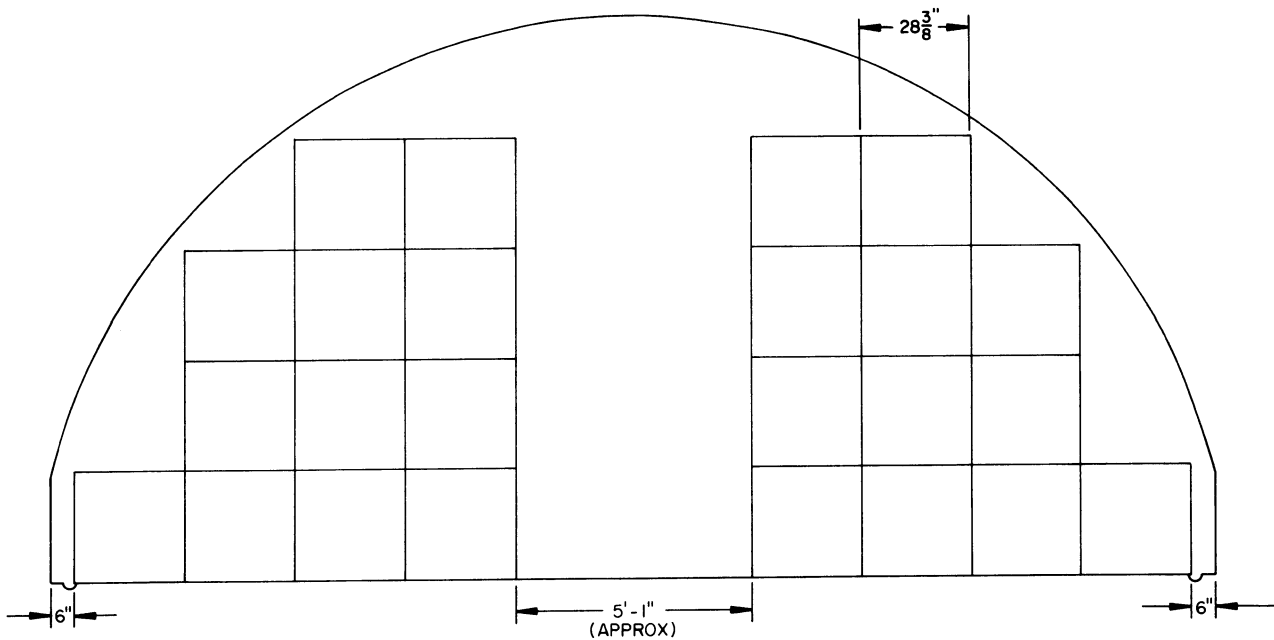
- A. THIS DOCUMENT HAS BEEN PREPARED AND ISSUED IN ACCORDANCE WITH AR 740-1 AND AUGMENTS TM 743-200-1 (CHAPTER 5), TM 3-250 AND TM 9-1300-206 (CHAPTER 4). HOWEVER, THE REQUIREMENTS OF TM 9-1300-206 DO NOT APPLY TO SUBCOMMANDS, INSTALLATIONS, AND ACTIVITIES UNDER DIRECT CONTROL OF THE U.S. ARMY MATERIEL COMMAND (AMC).
- B. THE STORAGE PROCEDURES SPECIFIED IN THIS DRAWING ARE APPLICABLE TO 105MM AND 4.2 INCH CHEMICAL FILLED PROJECTILES, UNITIZED 24 PROJECTILES PER SPECIAL 4-WAY ENTRY PALLET. THE PALLET UNITS ARE DESIGNED TO FACILITATE DEMILITARIZATION OPERATIONS AND ARE FOR INTRA-INSTALLATION MOVEMENT ONLY. THE STORAGE PROCEDURES ARE DESIGNED TO PERMIT INSPECTION AND READY ACCESS FOR REMOVAL OF ANY UNIT CONTAINING A LEAKING PROJECTILE. A PALLET UNIT IS CONSIDERED "READILY ACCESSIBLE" FOR REMOVAL IF NOT MORE THAN TWELVE (12) "LIFTS" OF OTHER PALLET UNITS HAVE TO BE MADE TO GAIN ACCESS TO THAT UNIT. THE TERM "LIFT" MEANS HANDLING AND MOVING NOT MORE THAN TWO (2) PALLET UNITS OF PROJECTILES AT ONE TIME.
- C. STORAGE IS SHOWN IN THOSE EARTH COVERED ARCH-TYPE MAGAZINES PECULIAR TO THE JOHNSTON ISLAND CHEMICAL ACTIVITY AND IS BASED ON USE OF SIDE-FRONT LOADING FORKLIFT TRUCKS. SINCE THE SIZE OF THE PALLET UNITS FOR THE 105MM AND THE 4.2" PROJECTILES VARY ONLY SLIGHTLY IN HEIGHT, THE STORAGE PROCEDURES AS SPECIFIED WILL APPLY TO BOTH UNITS AND THE QUANTITY OF UNITS THAT CAN BE STORED IN A MAGAZINE WILL BE THE SAME FOR EITHER PROJECTILE. SEE NOTE "N".
- D. FOR DETAILS OF THE PALLET UNITS, SEE U.S. ARMY AMC DRAWING 19-48-4538-CB20PE1 AND THE "PALLET UNIT" DETAIL ON PAGE 3.
- 105MM PROJECTILE PALLET UNIT:
- DIMENSIONS ----- 28-3/8" LONG X 38-5/8" WIDE X 28 1/4" HIGH  
GROSS WEIGHT ----- 918 POUNDS (APPROX).  
CUBE ----- 17.9 CUBIC FEET (APPROX)
- 4.2" PROJECTILE PALLET UNIT:
- DIMENSIONS ----- 28-3/8" LONG X 38-5/8" WIDE X 27" HIGH  
GROSS WEIGHT ----- 678 POUNDS (APPROX)  
CUBE ----- 17.1 CUBIC FEET (APPROX)
- E. INSPECTION AISLE DIMENSIONS AS SHOWN MAY BE ADJUSTED, HOWEVER, THEY WILL BE A MINIMUM OF 30" WIDE TO FACILITATE INSPECTION OF ALL PALLET UNITS. THE WIDTH OF MHE AISLES MAY BE ADJUSTED TO SUIT AVAILABLE MATERIALS HANDLING EQUIPMENT. WIDER MHE AISLES WILL REQUIRE ELIMINATION OF ONE OR MORE ROWS OF PALLET UNITS ADJACENT TO THE MHE AISLE THEREBY MATERIALLY REDUCING THE QUANTITY OF UNITS THAT CAN BE STORED IN A MAGAZINE.
- F. STORED PALLET UNITS MUST NOT CONTACT THE WALLS OF A MAGAZINE. TO PROVIDE FOR THIS MANDATORY CLEARANCE REQUIREMENT, UNITS MAY BE ELIMINATED FROM THE DEPICTED STORAGE PATTERN AS NECESSARY.
- G. IF THE CAPACITY OF THE FORKLIFT TRUCK PERMITS, TWO (2) PALLET UNITS CAN BE HANDLED AS ONE LOAD OR "SINGLE LIFT". OTHER APPLICABLE SAFETY CONTROLS (DIRECTIVES, REGULATIONS, ETC.) MUST BE OBSERVED.
- H. THE MAXIMUM FLOOR LOAD FOR A MAGAZINE, AS PRESCRIBED BY LOCAL STANDARDS, WILL NOT BE EXCEEDED.
- J. CAUTION: THE ALLOWABLE "EXPLOSIVE LIMIT" ESTABLISHED FOR A MAGAZINE IS NOT TO BE EXCEEDED.
- K. STORAGE OF MULTIPLE LOTS IN A MAGAZINE WILL REQUIRE CAREFUL PRE-PLANNING SO AS TO INSURE MHE ACCESSIBILITY TO ANY LOT IN ACCORDANCE WITH REQUIREMENTS SET FORTH IN THE "SPECIAL NOTES" SECTION OF THE MULTIPLE LOT STORAGE PROCEDURES TYPICALLY SHOWN ON PAGE 8.
- L. ANY "LIGHT" PALLETIZED UNIT THAT DOES NOT CONTAIN A FULL QUANTITY OF PROJECTILES WILL NOT BE BURIED IN STORAGE. IT MUST BE POSITIONED ADJACENT TO AN AISLE, PREFERABLY IN FRONT OF THE LOT.
- M. PORTIONS OF THE MAGAZINES, SUCH AS SIDE WALLS, END WALLS, AND ROOFS, HAVE NOT BEEN SHOWN IN THE STORAGE VIEWS FOR CLARITY PURPOSES.
- N. ALTHOUGH THE STORAGE STRUCTURES DEPICTED HEREIN ARE OF THE TYPES AND SIZES PECULIAR TO JOHNSTON ISLAND CHEMICAL ACTIVITY, THE PROCEDURES ARE ALSO APPLICABLE TO STORAGE IN EARTH COVERED MAGAZINES OF OTHER TYPES AND SIZES APPROVED FOR STORAGE OF CHEMICAL AMMUNITION AT OTHER INSTALLATIONS. THE REQUIREMENTS OF ALL THE ABOVE NOTES AND THE DEPICTED PROCEDURES WILL BE COMPLIED WITH. THE QUANTITY OF UNITS THAT CAN BE STORED WILL DEPEND ON THE TYPE AND SIZE OF MAGAZINE TO BE USED.



PALLET UNIT DETAIL  
 (FOR ADDITIONAL DETAILS SEE UNITIZATION  
 DRAWING 19-48-4538-CB20PE1)



PLAN VIEW  
(95' - 0" MAGAZINE)



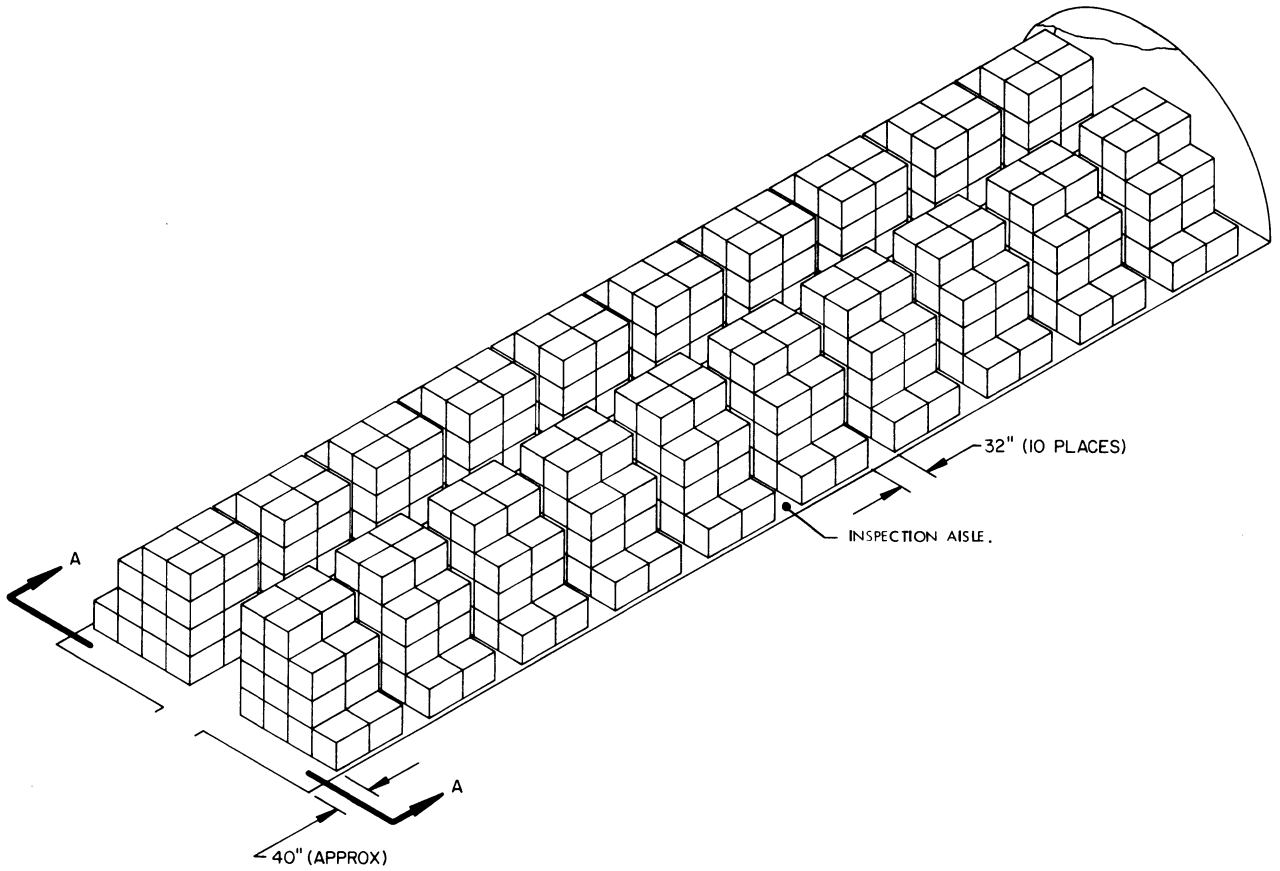
SECTION A-A  
(24 PALLET UNITS PER STACK)

STORAGE IN 95' - 0" MAGAZINE

ITEM                      QUANTITY

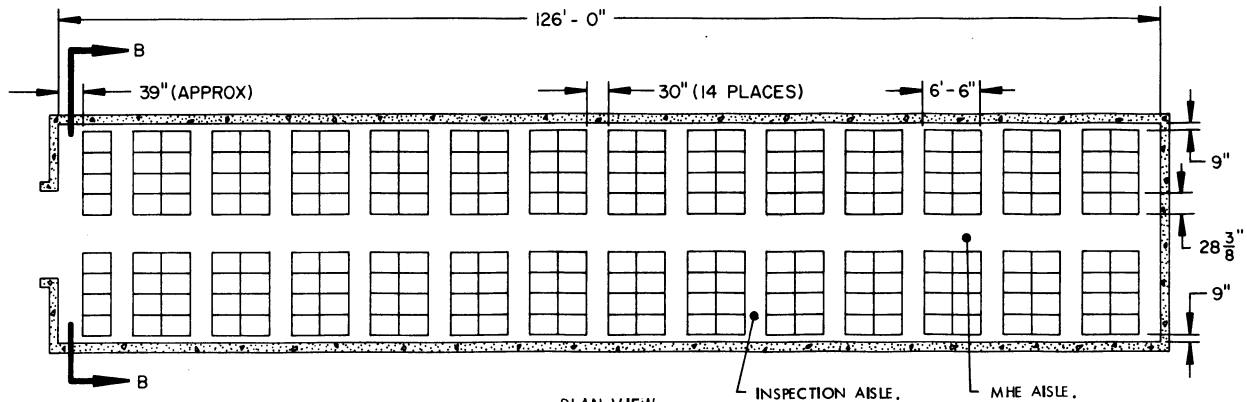
PALLET UNITS ----- 480

PROJECTILES ----- 11,520

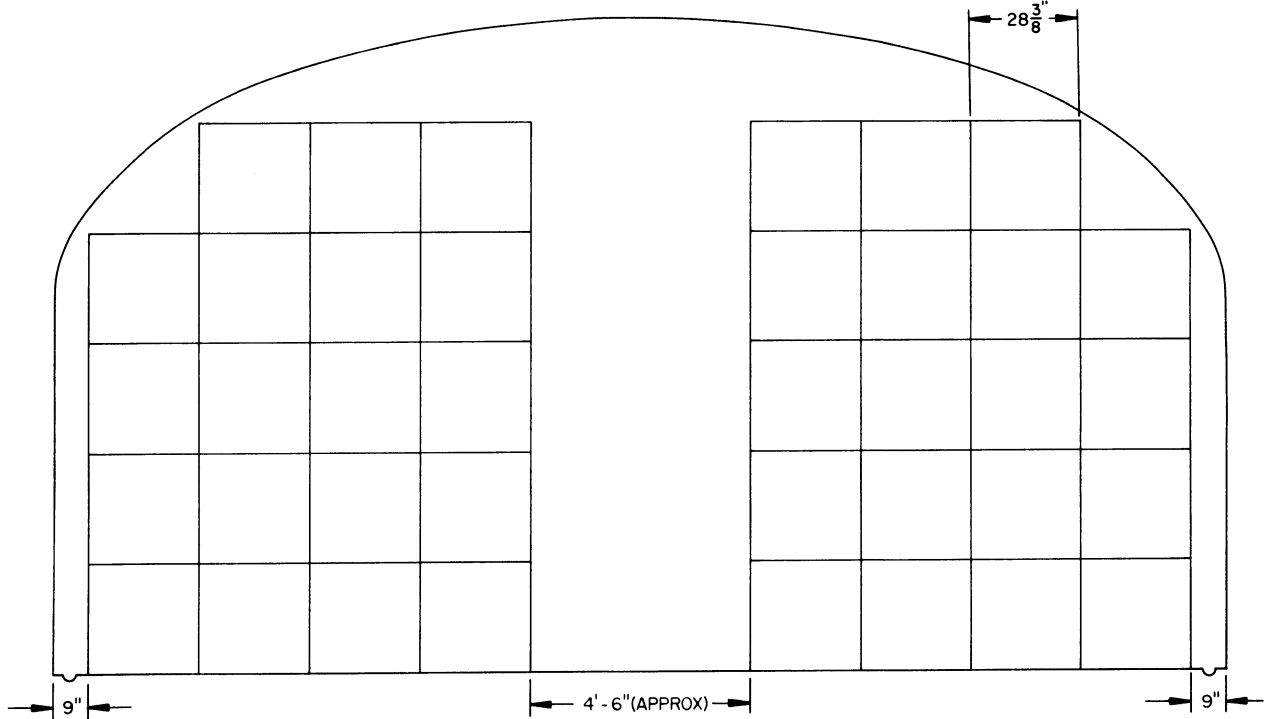


ISOMETRIC VIEW  
(95' - 0" MAGAZINE)

FOR GENERAL NOTES, SEE PAGE 2.



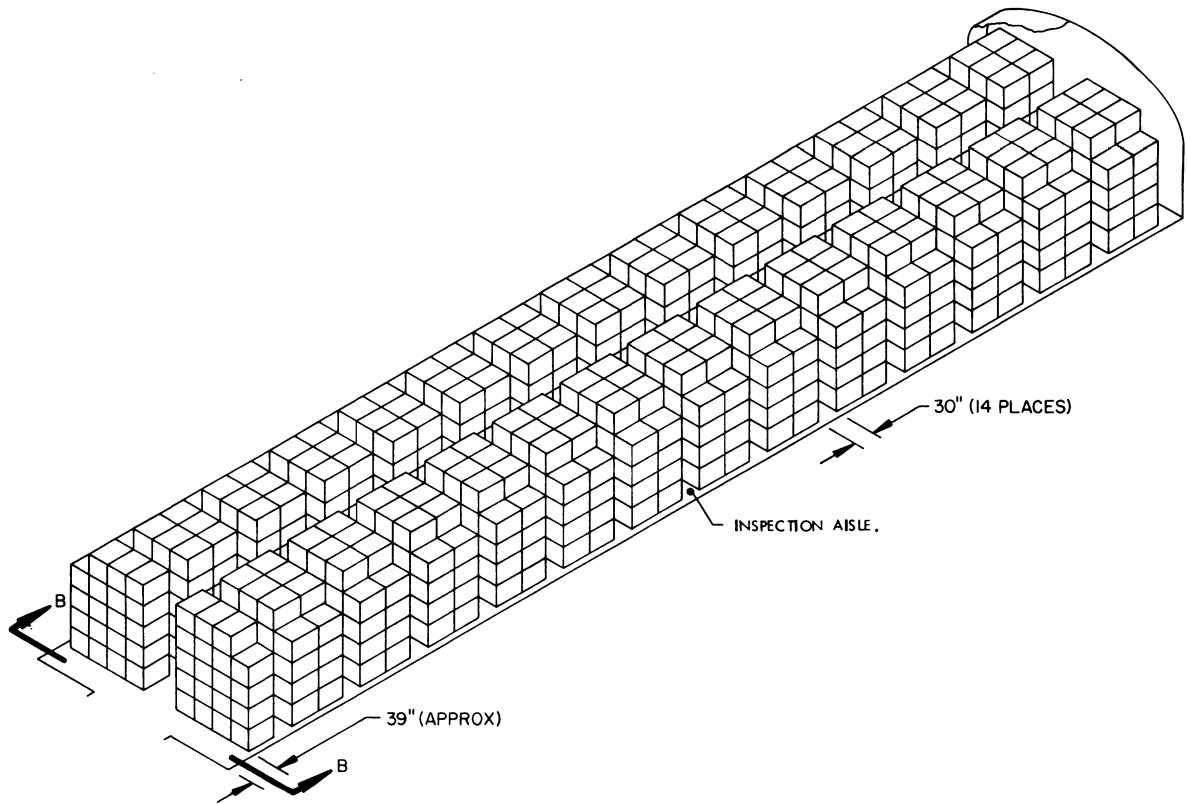
PLAN VIEW  
(126' - 0" MAGAZINE)



SECTION B-B  
(38 PALLET UNITS PER STACK)

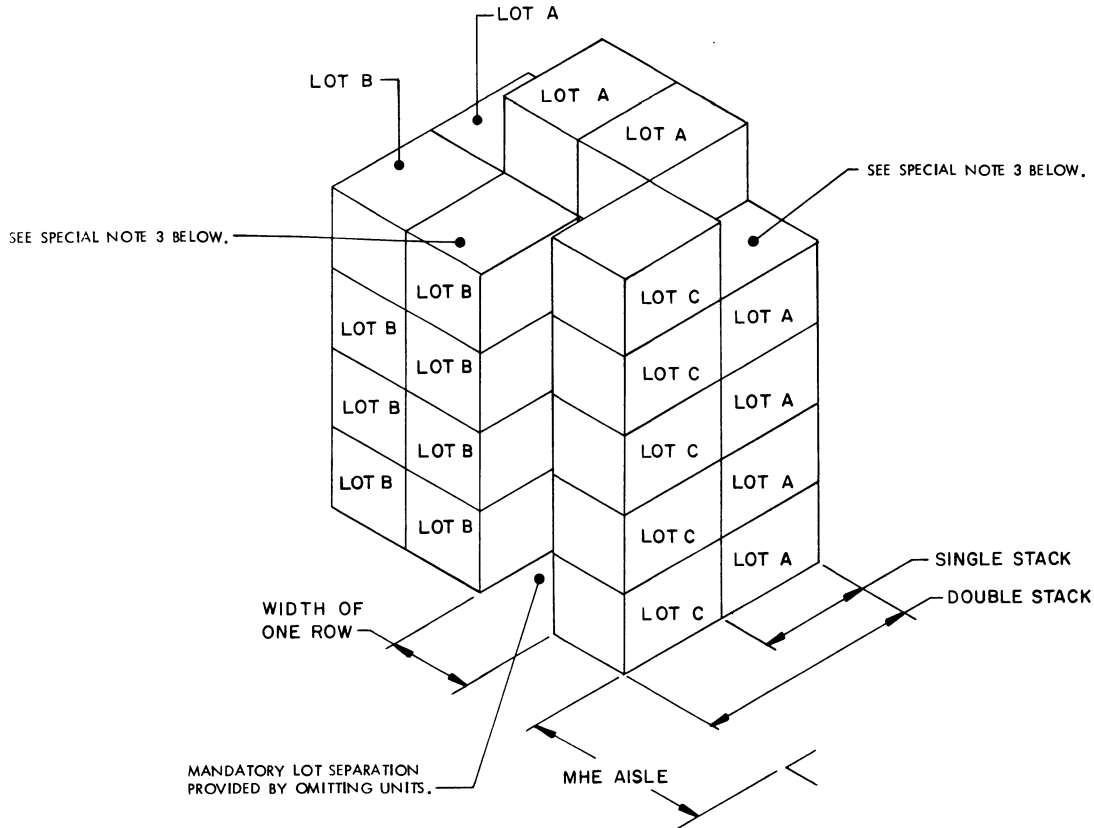
STORAGE IN 126' - 0" MAGAZINE

<u>ITEM</u>	<u>QUANTITY</u>
PALLET UNITS -----	1,026
PROJECTILES -----	24,624



ISOMETRIC VIEW  
(126' - 0" MAGAZINE)

FOR GENERAL NOTES, SEE PAGE 2.



TYPICAL LOT SEPARATION DETAIL

SPECIAL NOTES:

1. LOT SEPARATION WILL BE MAINTAINED WITHIN A STORAGE MAGAZINE. WHEN STORING MULTIPLE LOTS, DIFFERENT LOTS WILL BE SEPARATED WITHIN A SINGLE STACK BY OMITTING UNITS IN THE MANNER SHOWN IN THE "TYPICAL LOT SEPARATION DETAIL" ABOVE. UNITS OF ONE LOT IN A SINGLE STACK WILL NOT REQUIRE SEPARATION FROM UNITS OF A DIFFERENT LOT IN THE ADJACENT SINGLE STACK.
2. EACH LOT WITHIN THE MAGAZINE MUST BE ACCESSIBLE FOR MOVEMENT BY MHE. A SINGLE-LOT OF PALLET UNITS IS CONSIDERED "ACCESSIBLE" IF NOT MORE THAN TWELVE (12) "LIFTS" OF ANOTHER LOT OR LOTS HAVE TO BE MADE TO GAIN ACCESS TO THAT LOT. THE TERM "LIFT" MEANS HANDLING AND MOVING NOT MORE THAN TWO (2) PALLET UNITS OF PROJECTILES AT ONE TIME.
3. ONE LOT WILL NOT BE STACKED ON TOP OF ANOTHER LOT.
4. INSPECTION/ACCESS AISLES, NOT LESS THAN 30" WIDE, MUST BE PROVIDED ON EACH SIDE OF A DOUBLE STACK AS SHOWN IN THE STORAGE VIEWS ON PAGES 4 THROUGH 7.