

STORAGE IN IGL00 AND STRADLEY MAGAZINES OF 105MM AND 4.2-INCH CHEMICAL FILLED PROJECTILES, UNITIZED 24 PROJECTILES PER SPECIAL 4-WAY ENTRY SKIDDED BASE

•THE PROCEDURES DELINEATED IN THIS DRAWING ARE FOR INTRA-INSTALLATION MOVEMENT ONLY.

U.S. ARMY MATERIEL COMMAND DRAWING			
APPROVED, U.S. ARMY ARMAMENT, MUNITIONS AND CHEMICAL COMMAND <i>David A. Prokocik</i> SMCAR-ESK	DRAFTSMAN	INGEBORG DEPPE	
	ENGINEER	M. DAEUMER	
APPROVED BY ORDER OF COMMANDING GENERAL, U.S. ARMY MATERIEL COMMAND <i>William F Ernst</i> U.S. ARMY DEFENSE AMMUNITION CENTER AND SCHOOL	SUPPLY ENGINEERING DIVISION	<i>Thomas J. Wehler</i>	
	LOGISTICS ENGINEERING OFFICE	<i>William F Ernst</i>	
MAY 1992			
	CLASS	DIVISION	DRAWING
	19	48	4539/1
			FILE
			CB1-14PE2

DO NOT SCALE

GENERAL NOTES

- A. THIS DOCUMENT HAS BEEN PREPARED AND ISSUED IN ACCORDANCE WITH AR 740-1 AND AUGMENTS TM 743-200-1 (CHAPTER 5), TM 3-250 AND TM 9-1300-206 (CHAPTER 4). HOWEVER, THE REQUIREMENTS OF TM 9-1300-206 DO NOT APPLY TO SUBCOMMANDS, INSTALLATIONS AND ACTIVITIES UNDER THE DIRECT CONTROL OF THE U.S. ARMY MATERIEL COMMAND (AMC).
- B. THE STORAGE PROCEDURES SPECIFIED IN THIS DRAWING ARE APPLICABLE TO 105MM AND 4.2 INCH CHEMICAL FILLED PROJECTILES, UNITIZED 24 PROJECTILES PER SPECIAL 4-WAY ENTRY SKIDDED BASE. THE SKIDDED UNITS ARE DESIGNED TO FACILITATE DEMILITARIZATION OPERATIONS AND ARE FOR INTRA-INSTALLATION MOVEMENT ONLY. DUE TO THE MINIMAL WIDTH AND LENGTH DIMENSIONS OF THE SKIDDED UNITS AND TO FACILITATE HANDLING OPERATIONS IN PLACEMENT OR REMOVAL OF UNITS WITHIN THE DOUBLE STACKS, IT IS RECOMMENDED THAT TWO UNITS BE BUNDLED WITH TWO (2) STRAPS AS SHOWN IN THE "BUNDLING DETAIL" ON PAGE 3.
- C. FOR DETAILS OF THE SKIDDED UNITS, SEE U.S. ARMY AMC DRAWING 19-48-4538/1-CB20PE1 AND THE "SKIDDED UNIT" DETAIL ON PAGE 3.

105MM PROJECTILE SKIDDED UNIT:

DIMENSIONS - - - 20-3/4" LONG X 30-3/4" WIDE X 27" HIGH
GROSS WEIGHT - - 836 POUNDS (APPROX)
CUBE - - - - - 9.97 CUBIC FEET (APPROX)

4.2" PROJECTILE SKIDDED UNIT:

DIMENSIONS - 20-3/4" LONG X 30-3/4" WIDE X 25-3/4" HIGH
GROSS WEIGHT - - - - - 596 POUNDS (APPROX)
CUBE - - - - - 9.51 CUBIC FEET (APPROX)

- D. THE STORAGE PROCEDURES ARE DESIGNED TO PERMIT INSPECTION AND READY ACCESS FOR REMOVAL OF ANY UNIT CONTAINING A LEAKING PROJECTILE. A SKIDDED UNIT IS CONSIDERED "READILY ACCESSIBLE" FOR REMOVAL IF NOT MORE THAN TWELVE (12) "LIFTS" OF OTHER SKIDDED UNITS HAVE TO BE MADE TO GAIN ACCESS TO THAT UNIT. THE TERM "LIFT" MEANS HANDLING AND MOVING NOT MORE THAN TWO (2) UNITS NOT BUNDLED OR FOUR (4) UNITS, IF EACH TWO (2) UNITS ARE BUNDLED, AS RECOMMENDED IN NOTE "B" ABOVE, AND THE CAPACITY OF THE FORKLIFT TRUCK PERMITS. OTHER APPLICABLE SAFETY CONTROLS (DIRECTIVES, REGULATIONS, ETC.) MUST BE OBSERVED. SEE NOTE "K" BELOW.
- E. STORAGE IS SHOWN IN EARTH COVERED IGLOO AND STRADLEY MAGAZINES APPROVED FOR STORAGE OF CHEMICAL AMMUNITION, AND IS BASED ON USE OF STANDARD FRONT LOADING FORKLIFT TRUCKS NORMALLY AVAILABLE AT STORAGE INSTALLATIONS. HOWEVER, IF SIDE-FRONT LOADING FORKLIFT TRUCKS ARE AVAILABLE, TWO ADDITIONAL ROWS OF SKIDDED UNITS MAY BE STORED ON ONE SIDE OF THE MHE AISLE AS SHOWN BY DOTTED LINES IN THE STORAGE VIEWS. SINCE THE SIZE OF THE SKIDDED UNITS FOR THE 105MM AND THE 4.2" PROJECTILES VARY SLIGHTLY IN HEIGHT, THE STORAGE PROCEDURES AS SPECIFIED WILL APPLY TO BOTH UNITS AND THE QUANTITY OF UNITS THAT CAN BE STORED IN A MAGAZINE WILL BE THE SAME FOR EITHER PROJECTILE. SEE NOTE "N".

(CONTINUED AT RIGHT)

(GENERAL NOTES CONTINUED)

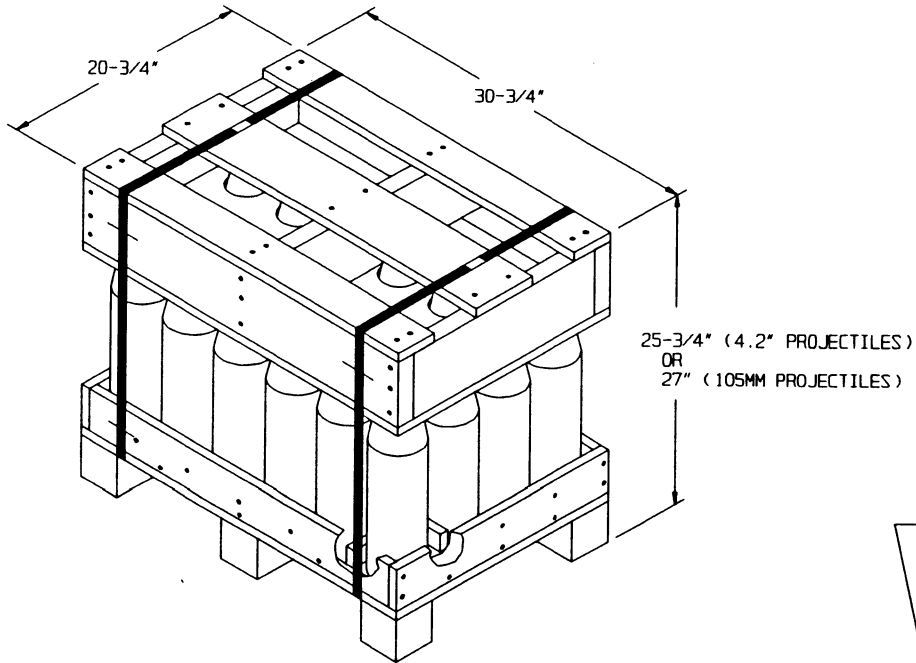
- F. INSPECTION AISLE DIMENSIONS AS SHOWN MAY BE ADJUSTED, HOWEVER, THEY WILL BE A MINIMUM OF 30" WIDE TO FACILITATE INSPECTION OF ALL SKIDDED UNITS. THE WIDTH OF THE MHE AISLES MAY BE ADJUSTED TO SUIT AVAILABLE MATERIALS HANDLING EQUIPMENT. WIDER MHE AISLES WILL REQUIRE ELIMINATION OF ONE OR MORE ROWS OF SKIDDED UNITS ADJACENT TO THE MHE AISLE THEREBY MATERIALLY REDUCING THE QUANTITY OF UNITS THAT CAN BE STORED IN A MAGAZINE.
- G. STORED SKIDDED UNITS MUST NOT CONTACT THE WALLS OF A MAGAZINE. TO PROVIDE FOR THIS MANDATORY CLEARANCE REQUIREMENT, UNITS MAY BE ELIMINATED FROM THE DEPICTED STORAGE PATTERN AS NECESSARY.
- H. THE MAXIMUM FLOOR LOAD FOR A MAGAZINE, AS PRESCRIBED BY LOCAL STANDARDS, WILL NOT BE EXCEEDED.
- J. CAUTION: THE ALLOWABLE "EXPLOSIVE LIMIT" ESTABLISHED FOR A MAGAZINE IS NOT TO BE EXCEEDED.
- K. STORAGE OF MULTIPLE LOTS IN A MAGAZINE WILL REQUIRE CAREFUL PRE-PLANNING SO AS TO INSURE MHE ACCESSIBILITY TO ANY LOT IN ACCORDANCE WITH REQUIREMENTS SET FORTH IN NOTE "D" ABOVE. EACH DOUBLE STACK MAY CONSIST OF ONE OR MORE LOTS. HOWEVER, ONE LOT WILL NOT BE STACKED ON TOP OF ANOTHER LOT.
- L. ANY "LIGHT" SKIDDED UNIT THAT DOES NOT CONTAIN A FULL QUANTITY OF PROJECTILES WILL NOT BE BURIED IN STORAGE. IT MUST BE POSITIONED ADJACENT TO AN AISLE, PREFERABLY IN FRONT OF THE LOT.
- M. PORTIONS OF THE MAGAZINES, SUCH AS SIDE WALL, END WALLS, AND ROOFS, HAVE NOT BEEN SHOWN IN THE STORAGE VIEWS FOR CLARITY PURPOSES.
- N. ALTHOUGH THE STORAGE MAGAZINES DEPICTED HEREIN ARE FOR IGLOO AND STRADLEY TYPES AND SIZES, THE PROCEDURES ARE ALSO APPLICABLE TO STORAGE IN EARTH COVERED MAGAZINES OF OTHER TYPES AND SIZES APPROVED FOR STORAGE OF CHEMICAL AMMUNITION. THE REQUIREMENTS OF ALL THE ABOVE NOTES AND THE DEPICTED PROCEDURES WILL BE COMPLIED WITH. THE QUANTITY OF UNITS THAT CAN BE STORED WILL DEPEND ON THE TYPE AND SIZE OF THE MAGAZINE TO BE USED.

MATERIAL SPECIFICATIONS

LUMBER - - - - - : SEE TM 743-200-1, DUNNAGE LUMBER, FED SPEC MM-L-751

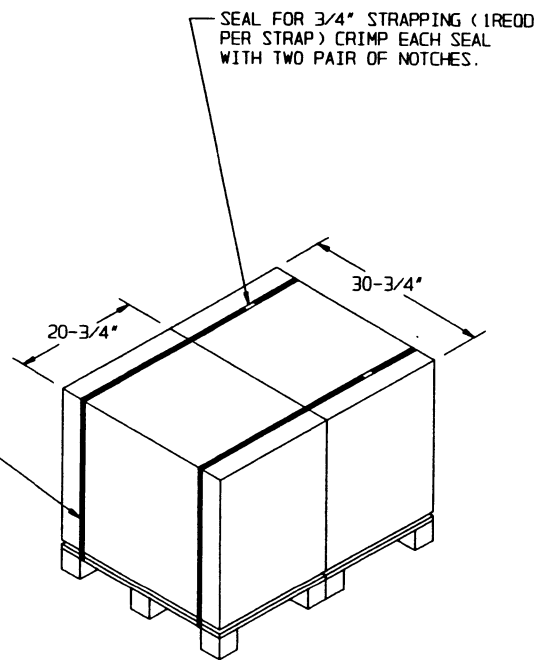
STRAPPING, STEEL - - - : ASTM D 3953; FLAT STRAPPING, TYPE 1 OR 2, HEAVY DUTY, ZINC-COATED (GRADE 2).

SEAL, STRAP - - - - - : ASTM D 3953; CLASS H, FINISH B (GRADE 2), TYPE D, STYLE I, II, OR IV.



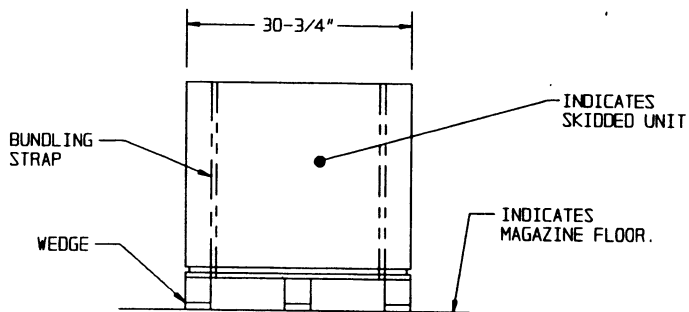
SKIDDED UNIT DETAIL

(FOR ADDITIONAL DETAILS SEE UNITIZATION DRAWING 19-48-453B/1-CB20PE1)



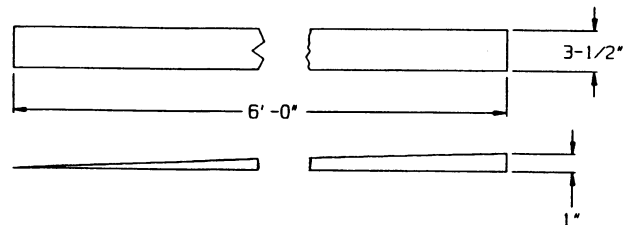
BUNDLING STRAP, 3/4" X .035" OR .031" STEEL STRAPPING BY A LENGTH REQUIRED TO ENCIRCLE TWO (2) SKIDDED UNITS (2 REOD). SEE GENERAL NOTE "B" ON PAGE 2.

BUNDLING DETAIL



WEDGE LOCATION DETAIL

(3 REOD PER STACK; 6 REOD PER DOUBLE STACK)



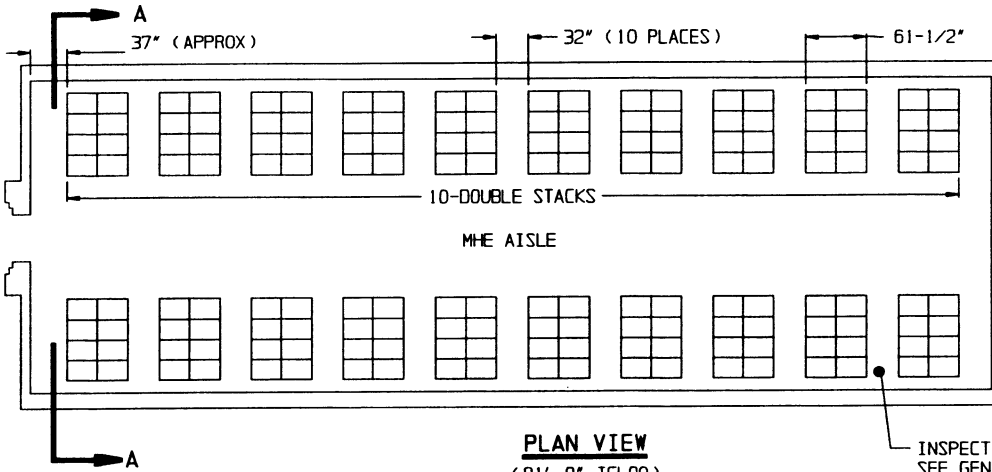
WEDGE DETAIL

(2" X 4" MATERIAL)

STORAGE IN 81'-0" IGL00

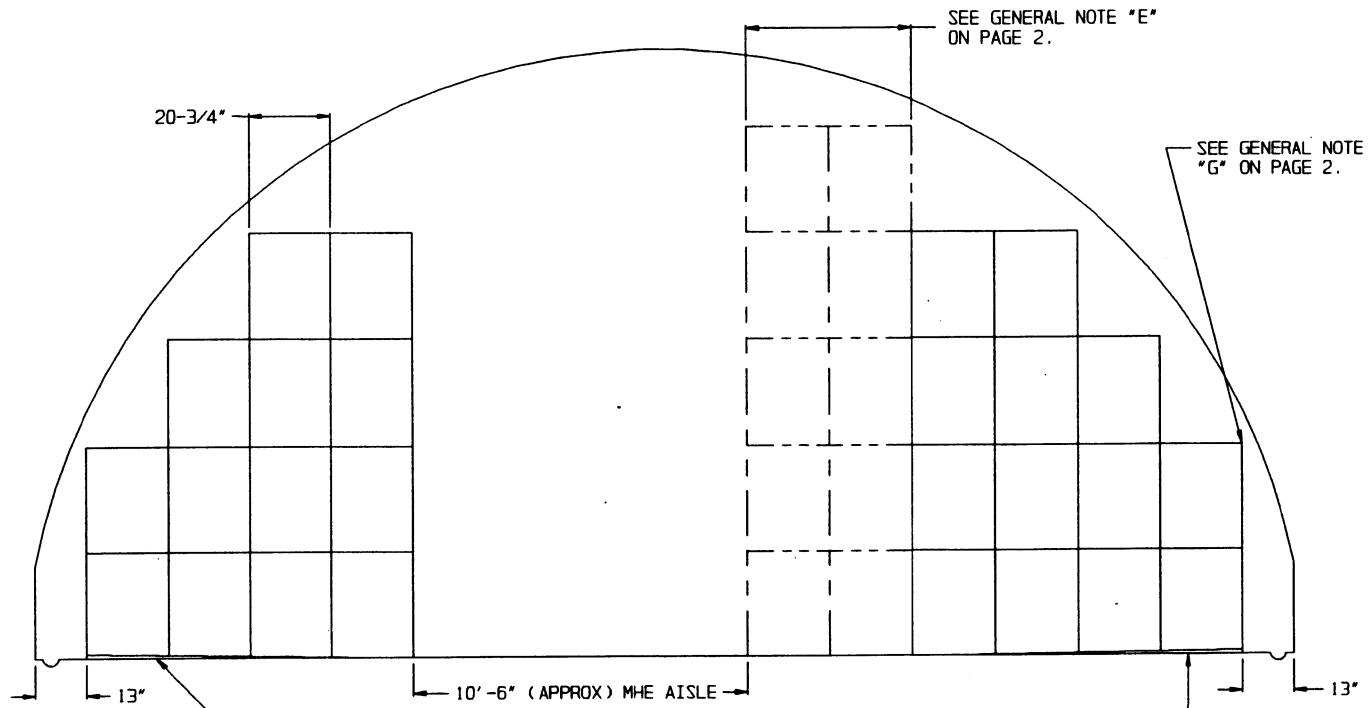
(12'-9" HIGH)

ITEM	QUANTITY
SKIDDED UNIT - - - - -	520



PLAN VIEW
(81'-0" IGL00)

INSPECTION AISLE.
SEE GENERAL NOTE
"F" ON PAGE 2.



SECTION A-A
(26 SKIDDED UNITS PER STACK)

SEE GENERAL NOTE "E"
ON PAGE 2.

SEE GENERAL NOTE
"G" ON PAGE 2.

6'-0" WEDGE
(6 REOD PER
DOUBLE STACK.)

6'-0" WEDGE
SEE DETAILS
ON PAGE 3.

STORAGE IN 60'-8" IGL00

(12'-9" HIGH)

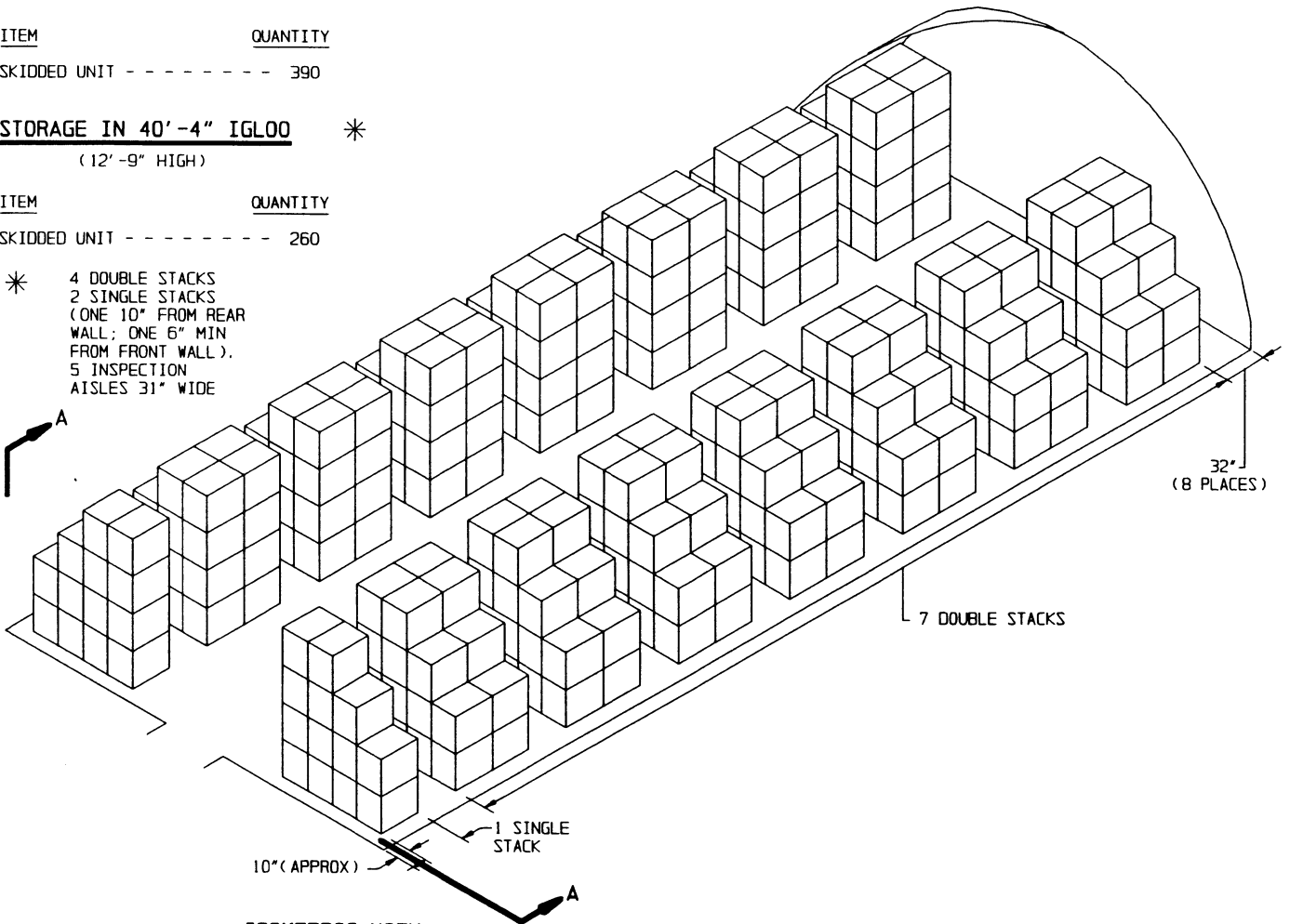
ITEM	QUANTITY
SKIDDED UNIT - - - - -	390

STORAGE IN 40'-4" IGL00 *

(12'-9" HIGH)

ITEM	QUANTITY
SKIDDED UNIT - - - - -	260

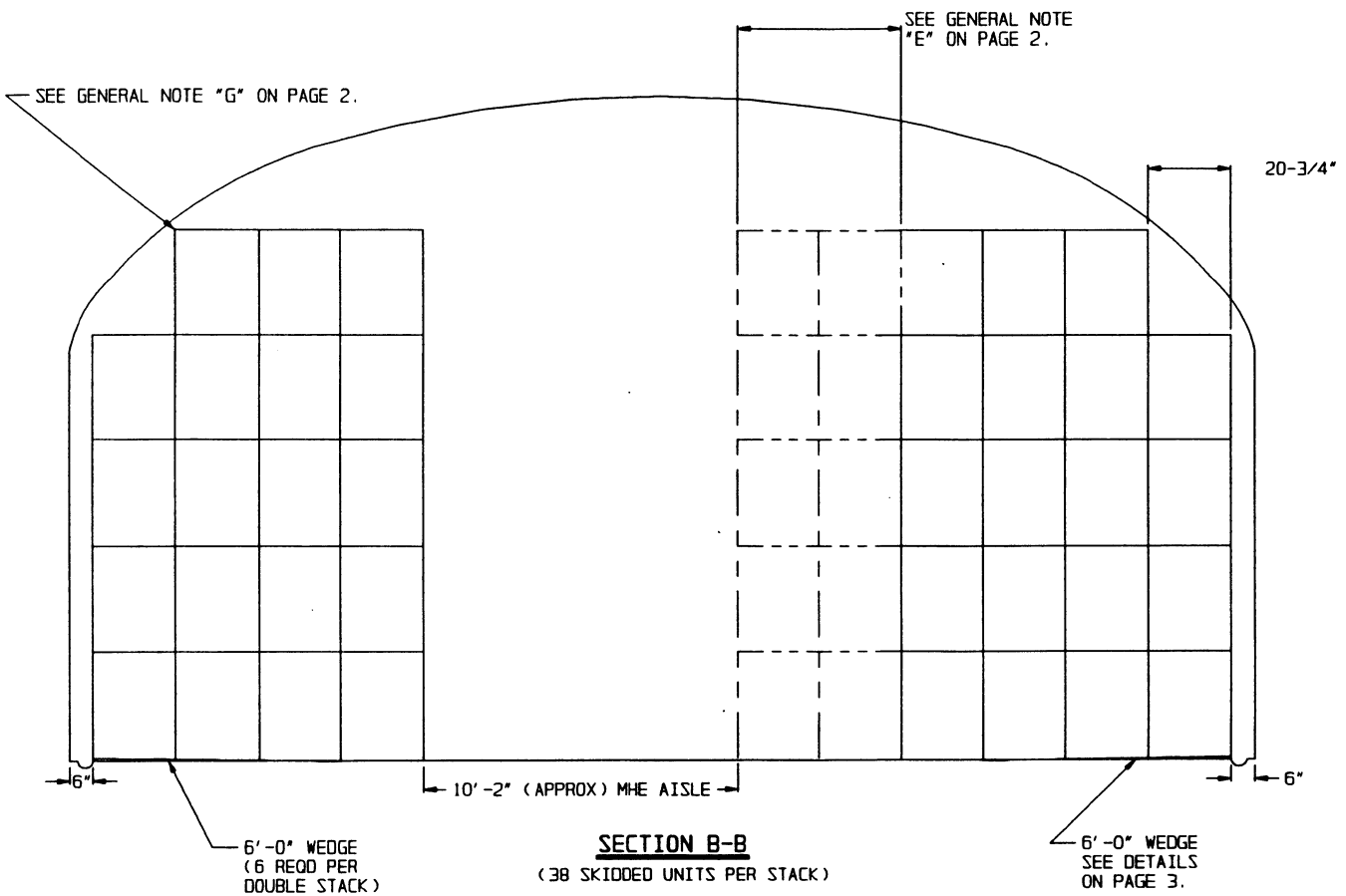
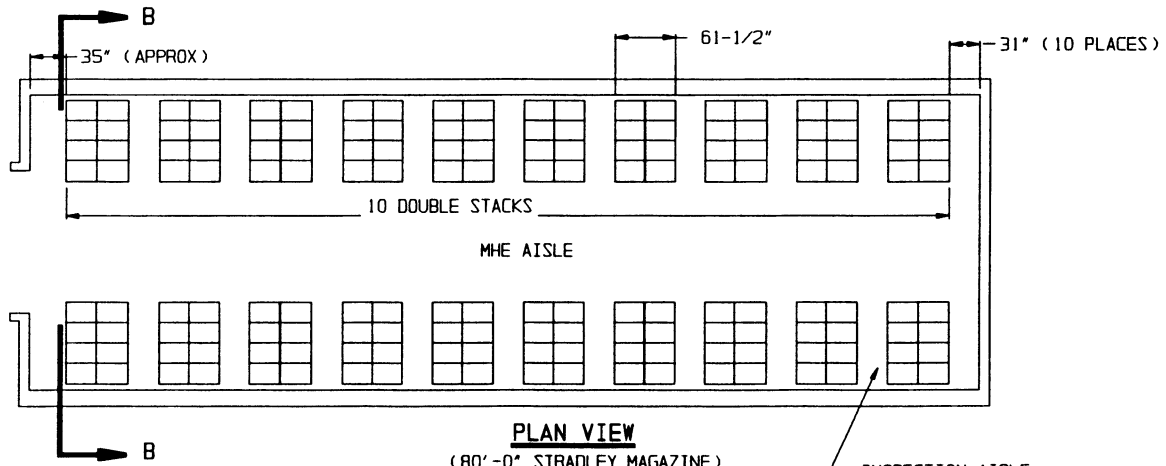
- * 4 DOUBLE STACKS
- 2 SINGLE STACKS
- (ONE 10" FROM REAR WALL; ONE 6" MIN FROM FRONT WALL).
- 5 INSPECTION AISLES 31" WIDE



ISOMETRIC VIEW

(60'-8" IGL00)

FOR "GENERAL NOTES" AND "MATERIAL SPECIFICATIONS", SEE PAGE 2.



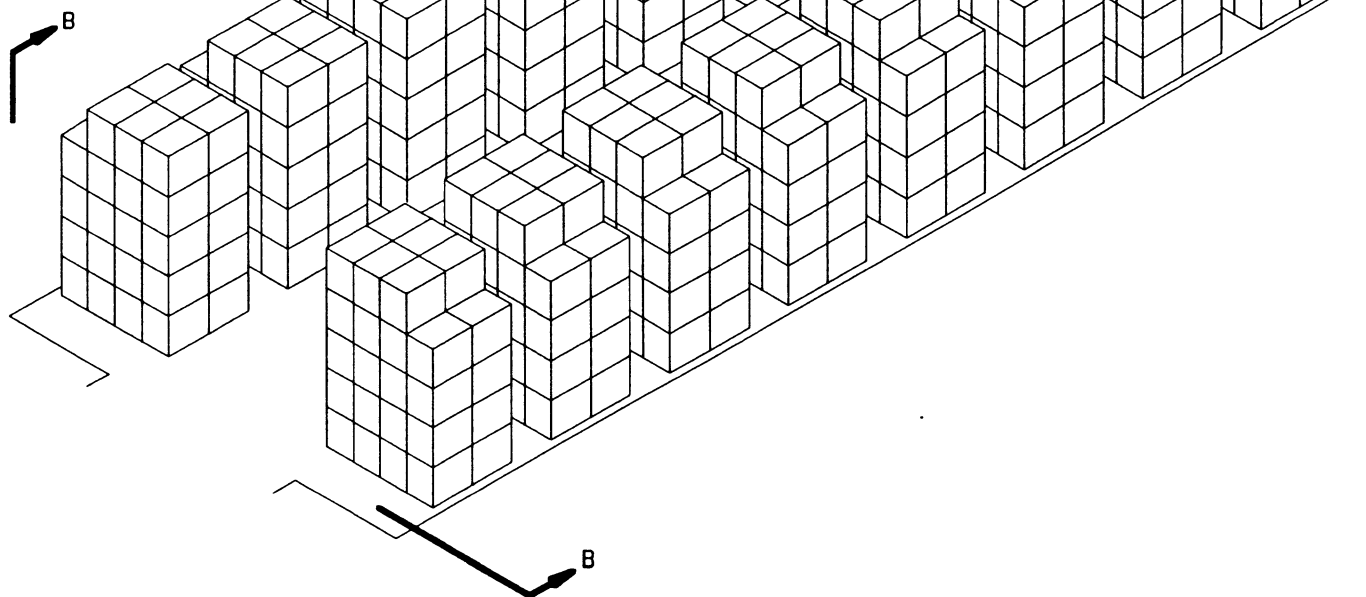
STORAGE IN 80'-0" STRADLEY MAGAZINE

(14'-0" HIGH)

ITEM

QUANTITY

SKIDDED UNIT - - - - - 760



ISOMETRIC VIEW

(80'-0" STRADLEY MAGAZINE)

FOR "GENERAL NOTES" AND "MATERIAL SPECIFICATIONS", SEE PAGE 2.

