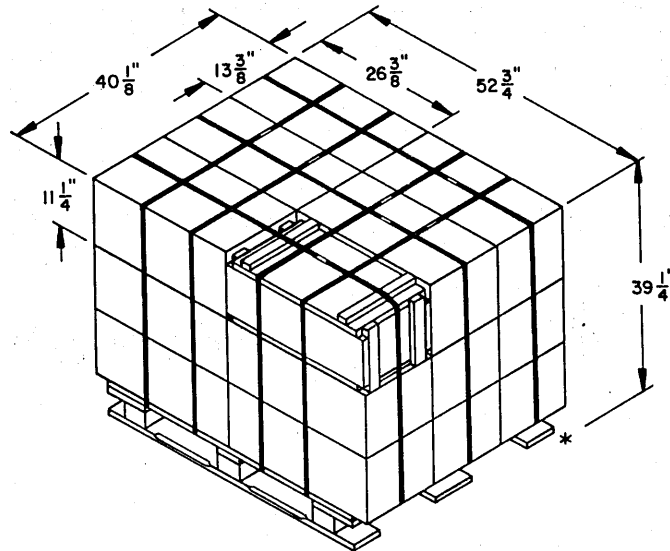


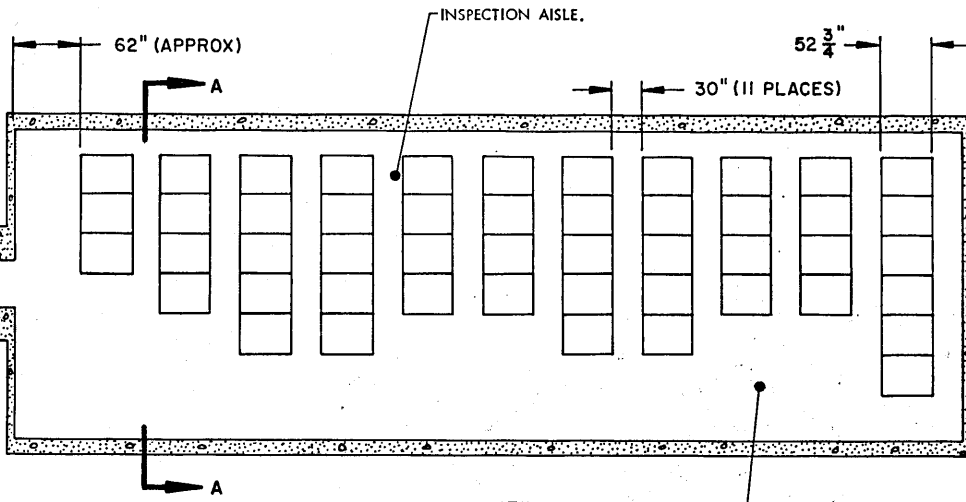
GENERAL NOTES

- A. THIS DOCUMENT HAS BEEN PREPARED AND ISSUED IN ACCORDANCE WITH AR 740-1, AND AUGMENTS TM 743-200-1 (CHAPTER 5), TM 9-1300-206 (CHAPTER 4), AND TM 3-250.
- B. PALLET UNIT DETAILS:
18 BOX (144 CANISTER) PALLET UNIT:
DIMENSIONS --- 40-1/8" LONG X 52-3/4" WIDE X 39-1/4" HIGH (APPROX).
GROSS WEIGHT -1,700 POUNDS (APPROX).
- C. AISLE DIMENSIONS SHOWN IN THIS DRAWING MAY BE ADJUSTED TO SUIT LOCAL CONDITIONS AND/OR AVAILABLE MATERIALS HANDLING EQUIPMENT; HOWEVER, THIRTY-INCH (30") MINIMUM ACCESS AISLES WILL BE PROVIDED, AS SHOWN, TO FACILITATE INSPECTION.
- D. STORED PALLET UNITS MUST NOT CONTACT THE WALL OF A MAGAZINE. TO PROVIDE FOR THIS MANDATORY CLEARANCE REQUIREMENT, UNITS MAY BE ELIMINATED FROM THE DEPICTED STORAGE PATTERN AS NECESSARY.
- E. THE MAXIMUM FLOOR LOAD FOR A MAGAZINE, AS PRESCRIBED BY LOCAL STANDARDS, WILL NOT BE EXCEEDED.
- F. THE STORAGE PROCEDURES DEPICTED HEREIN FOR SPECIFIC TYPES OF MAGAZINES MAY ALSO BE UTILIZED TO STORE PALLET UNITS IN OTHER TYPES OF APPROVED MAGAZINES. MINOR ADJUSTMENTS MAY BE MADE TO FACILITATE STORAGE IN OTHER TYPES OF MAGAZINES, HOWEVER, THE BASIC PRINCIPLES AS DEPICTED HEREIN WILL BE COMPLIED WITH.
- G. THE MAGAZINE MUST COMPLY WITH ALL REQUIREMENTS AND BE APPROVED FOR THE STORAGE OF CHEMICAL ITEMS.
- H. OTHER COMPATIBLE ITEMS MAY BE STORED IN A MAGAZINE WHICH IS PARTIALLY FILLED WITH THE DESIGNATED ITEM.
- J. A COMBINATION OF MATERIAL HANDLING EQUIPMENT (MHE), SUCH AS FORKLIFT TRUCKS, PALLET JACKS, AND OTHER APPROVED EQUIPMENT, MAY BE USED TO PLACE AND/OR REMOVE UNITS WITHIN A STACK. USE OF FRONT/SIDE LOADING FORKLIFT TRUCKS WILL INCREASE STORAGE CAPABILITY IN MOST STORAGE PATTERNS. IF SUITABLE MHE IS NOT AVAILABLE TO PERMIT PLACING AND/OR REMOVAL OPERATIONS WITHIN THE DESIGNATED MHE OPERATING AISLE, IT MAY BE NECESSARY TO OMIT ONE ROW OF UNITS ADJACENT TO THE MHE OPERATING AISLE TO GAIN ADDITIONAL OPERATING SPACE.
- K. REFER TO PAGE 20 FOR GUIDANCE RELATIVE TO LOT SEPARATION REQUIREMENTS WHEN STORING MULTIPLE LOTS WITHIN A MAGAZINE.
- L. THE STORAGE PROCEDURES DEPICTED FOR IGLOO MAGAZINES ARE ALSO APPLICABLE FOR STEEL ARCH MAGAZINES WHICH HAVE A SIMILAR CROSS SECTIONAL AREA.



PALLET UNIT

GROSS WEIGHT -----1,700 LBS (APPROX)
 CUBIC FEET -----48.08

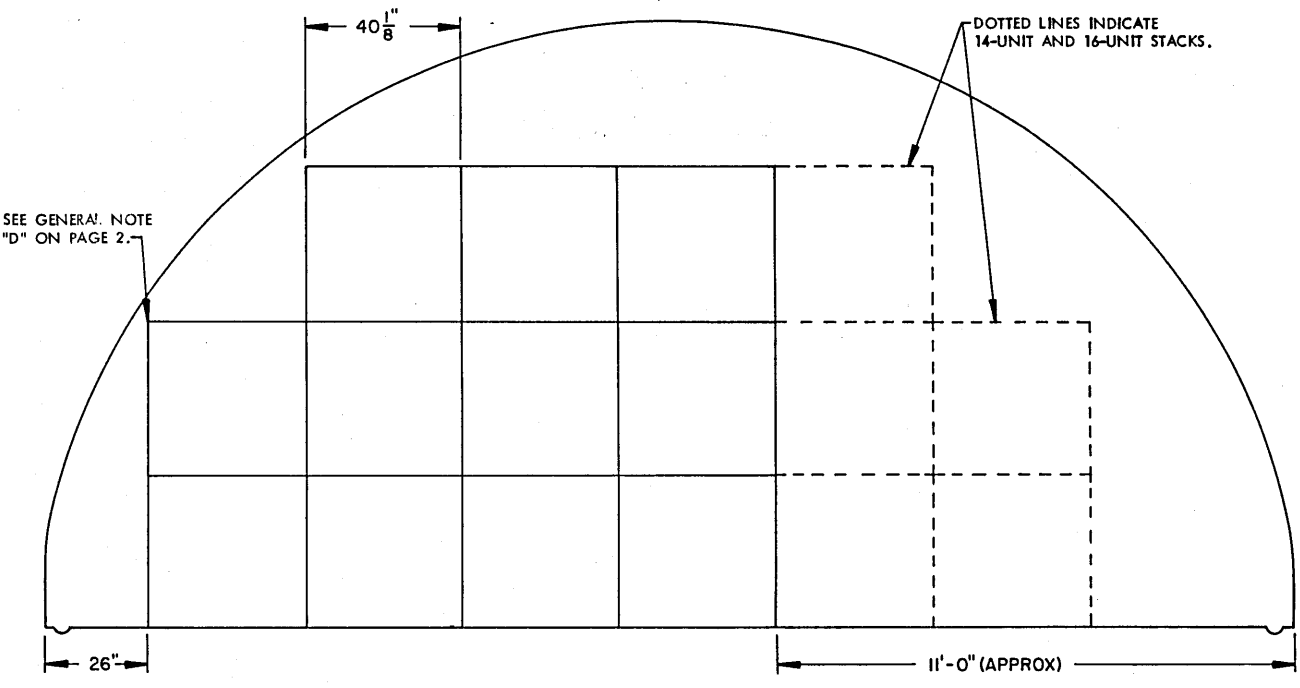


STORAGE IN 81'-0' L IGLOO
(12'-9" HIGH)

ITEM	QUANTITY
PALLET UNITS -----	135
CANISTERS -----	19,440

PLAN VIEW
(81'-0" L IGLOO)

MHE OPERATING AISLE. SEE GENERAL NOTE "J" ON PAGE 2.



SEE GENERAL NOTE "D" ON PAGE 2.

DOTTED LINES INDICATE 14-UNIT AND 16-UNIT STACKS.

SECTION A-A
(11-UNIT STACK SHOWN)

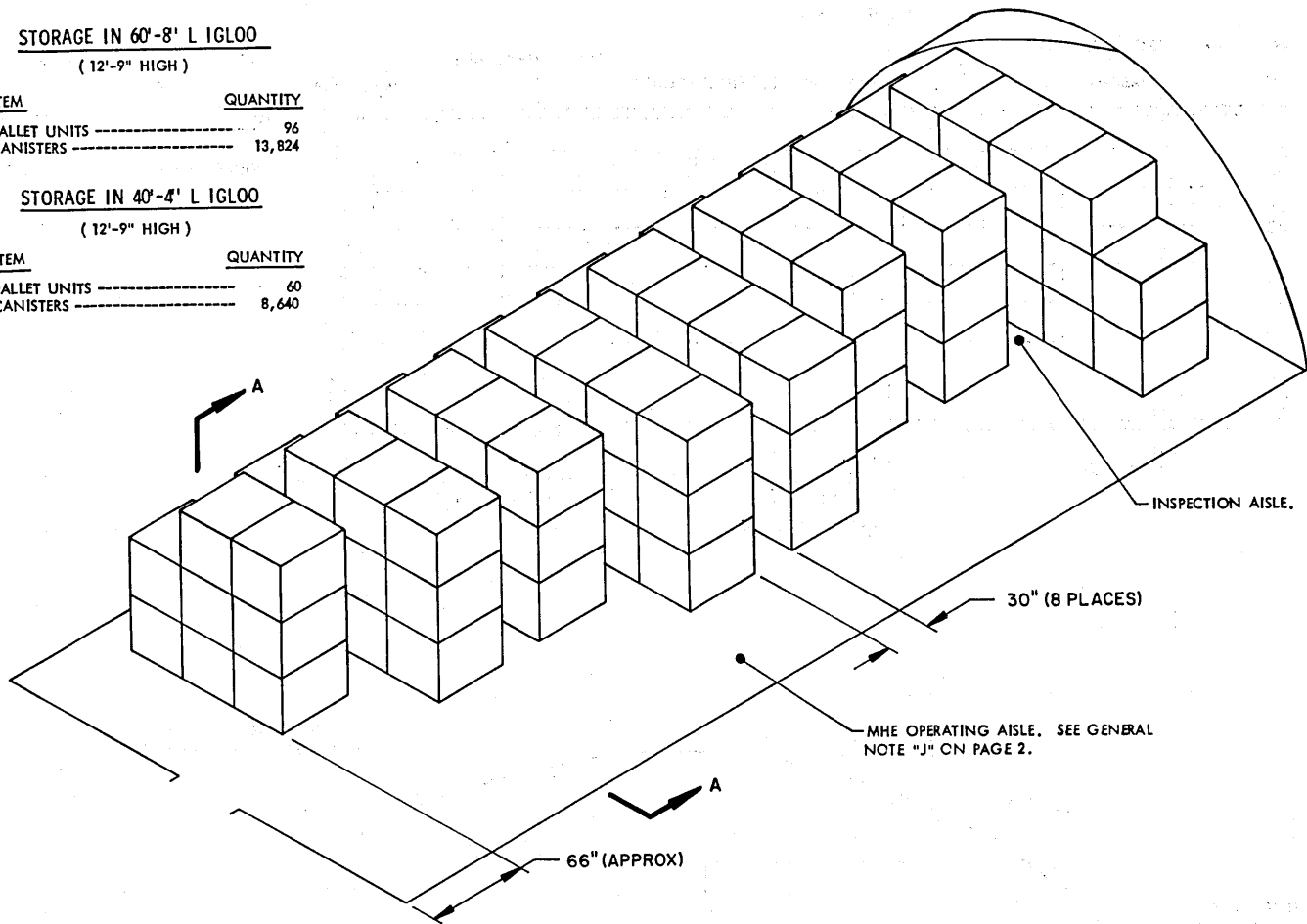
MHE OPERATING AISLE.

STORAGE IN 60'-8" L IGLOO
(12'-9" HIGH)

ITEM	QUANTITY
PALLET UNITS -----	96
CANISTERS -----	13,824

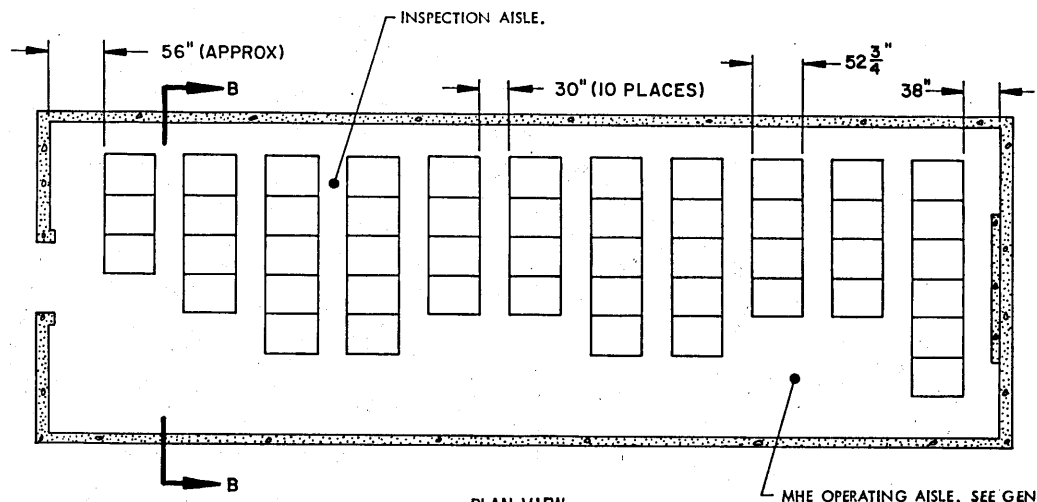
STORAGE IN 40'-4" L IGLOO
(12'-9" HIGH)

ITEM	QUANTITY
PALLET UNITS -----	60
CANISTERS -----	8,640



ISOMETRIC VIEW
(60'-8" L IGLOO)

SEE "GENERAL NOTES" ON PAGE 2.

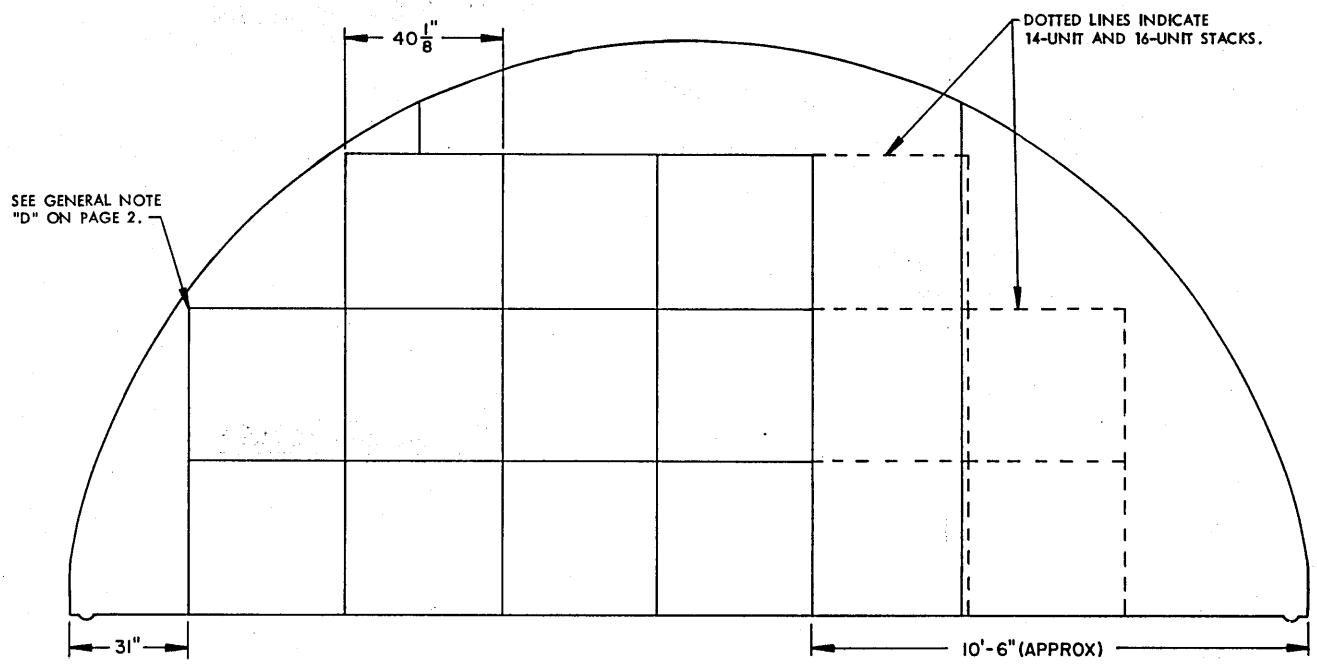


STORAGE IN 81'-2" L MAGAZINE
(12'-1-3/4" HIGH)

ITEM	QUANTITY
PALLET UNITS -----	135
CANISTERS -----	19,440

PLAN VIEW
(81'-2" L MAGAZINE)

MHE OPERATING AISLE. SEE GENERAL NOTE "J" ON PAGE 2.



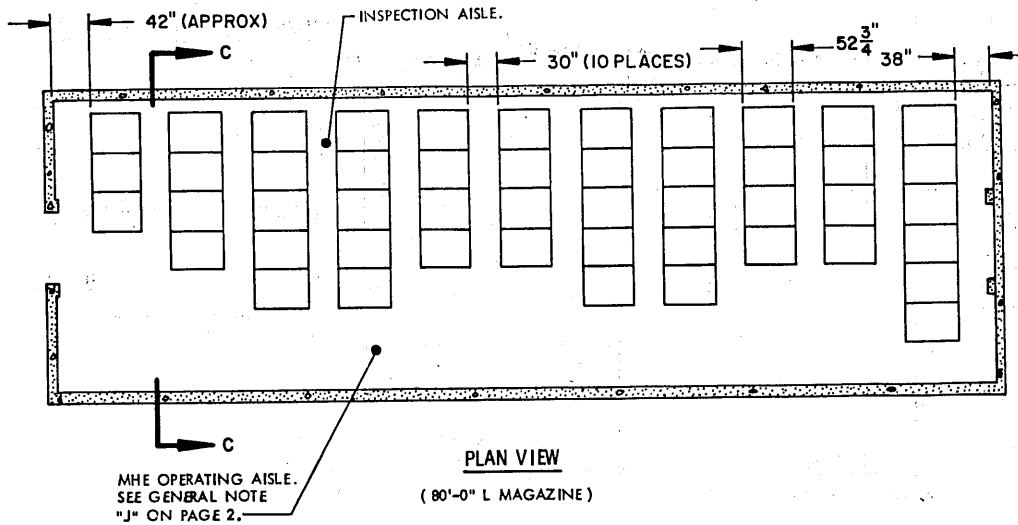
SEE GENERAL NOTE "D" ON PAGE 2.

DOTTED LINES INDICATE 14-UNIT AND 16-UNIT STACKS.

SECTION B-B
(11-UNIT STACK SHOWN)

MHE OPERATING AISLE

SEE "GENERAL NOTES" ON PAGE 2.

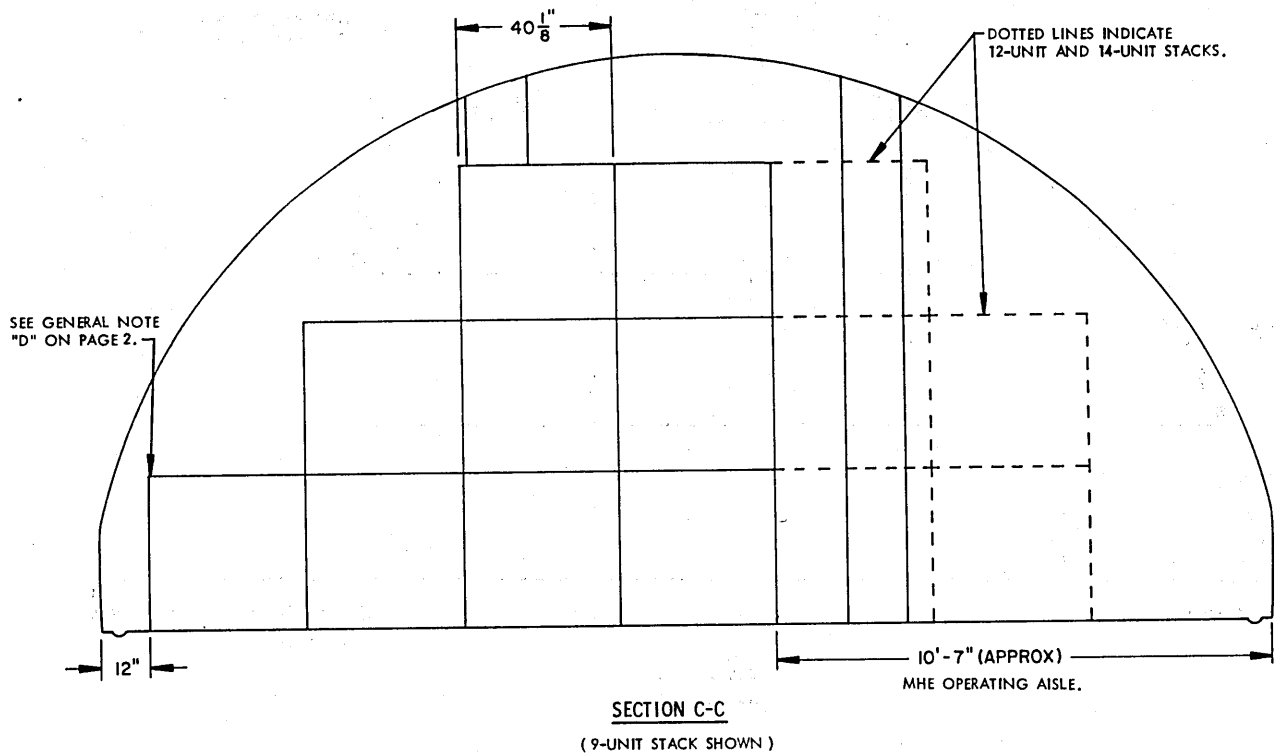


STORAGE IN 80'-0" L MAGAZINE
(12'-1-3/4" HIGH)

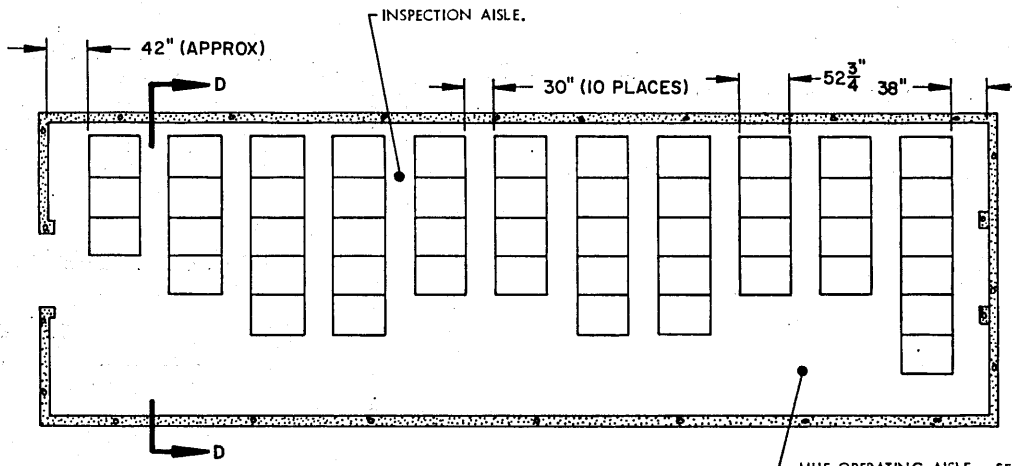
ITEM	QUANTITY
PALLET UNITS -----	113
CANISTERS -----	16,272

STORAGE IN 40'-0" L MAGAZINE
(12'-1-3/4" HIGH)

ITEM	QUANTITY
PALLET UNITS -----	50
CANISTERS -----	7,200



SEE "GENERAL NOTES" ON PAGE 2.



STORAGE IN 80'-0" L MAGAZINE

(11'-0" HIGH)

ITEM	QUANTITY
PALLET UNITS -----	113
CANISTERS -----	16,272

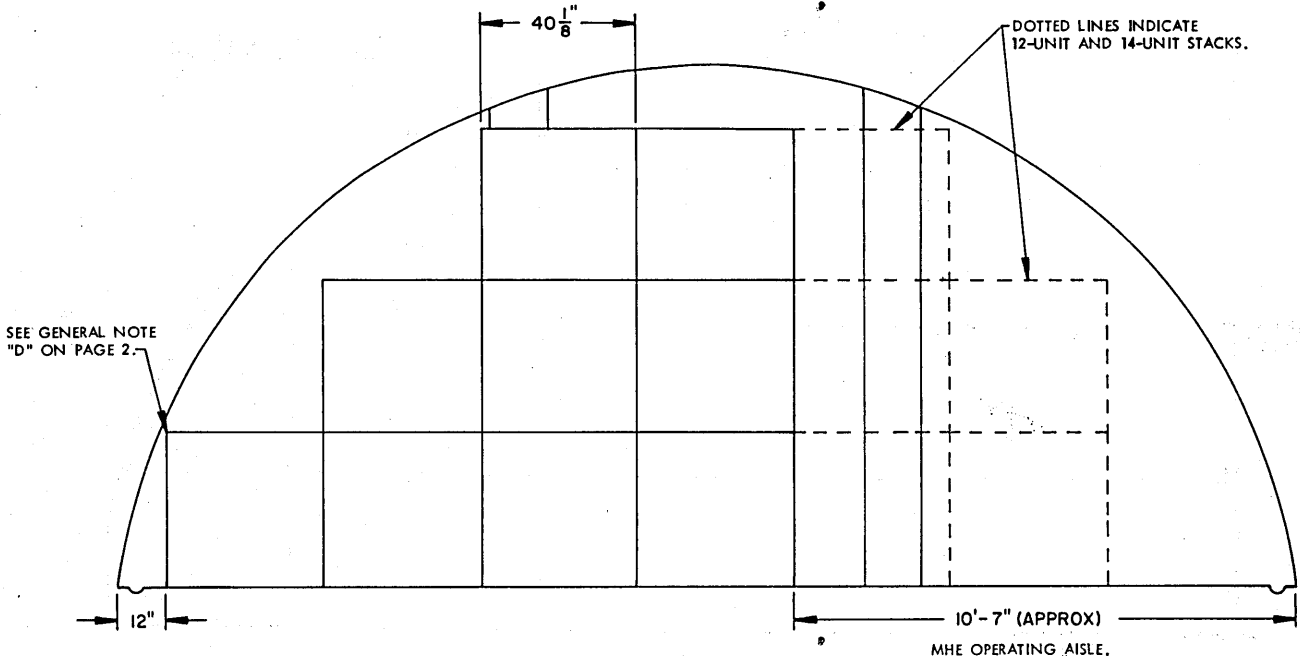
STORAGE IN 40'-0" L MAGAZINE

(11'-0" HIGH)

ITEM	QUANTITY
PALLET UNITS -----	50
CANISTERS -----	7,200

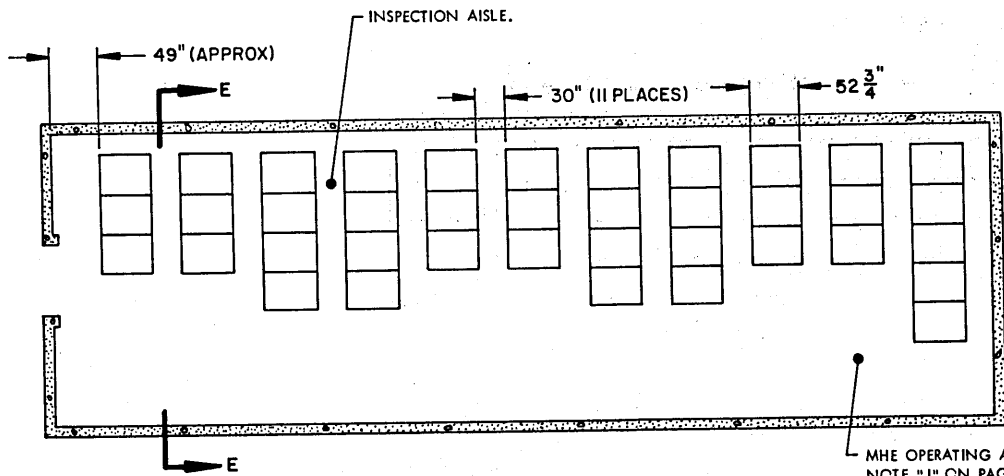
PLAN VIEW
(80'-0" L MAGAZINE)

MHE OPERATING AISLE. SEE GENERAL NOTE "J" ON PAGE 2.



SECTION D-D
(9-UNIT STACK SHOWN)

SEE "GENERAL NOTES" ON PAGE 2.



STORAGE IN 80'-0" L MAGAZINE
(10'-0" HIGH)

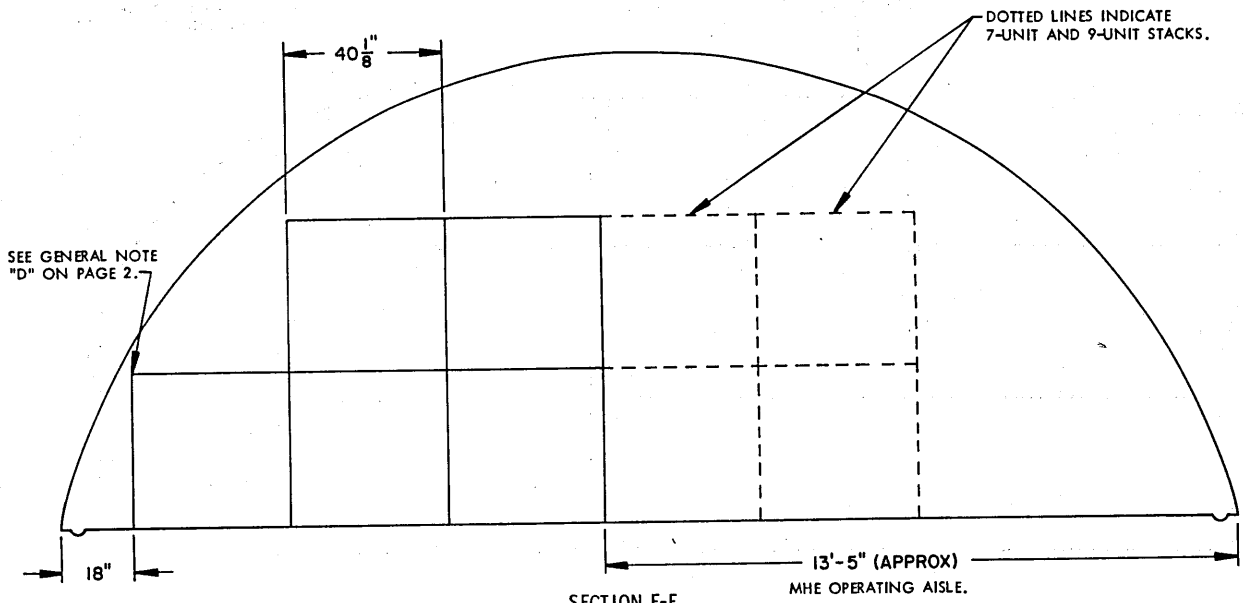
ITEM	QUANTITY
PALLET UNITS -----	67
CANISTERS -----	9,648

STORAGE IN 40'-0" L MAGAZINE
(10'-0" HIGH)

ITEMS	QUANTITY
PALLET UNITS -----	31
CANISTERS -----	4,464

PLAN VIEW
(80'-0" L MAGAZINE)

MHE OPERATING AISLE. SEE GENERAL NOTE "J" ON PAGE 2.



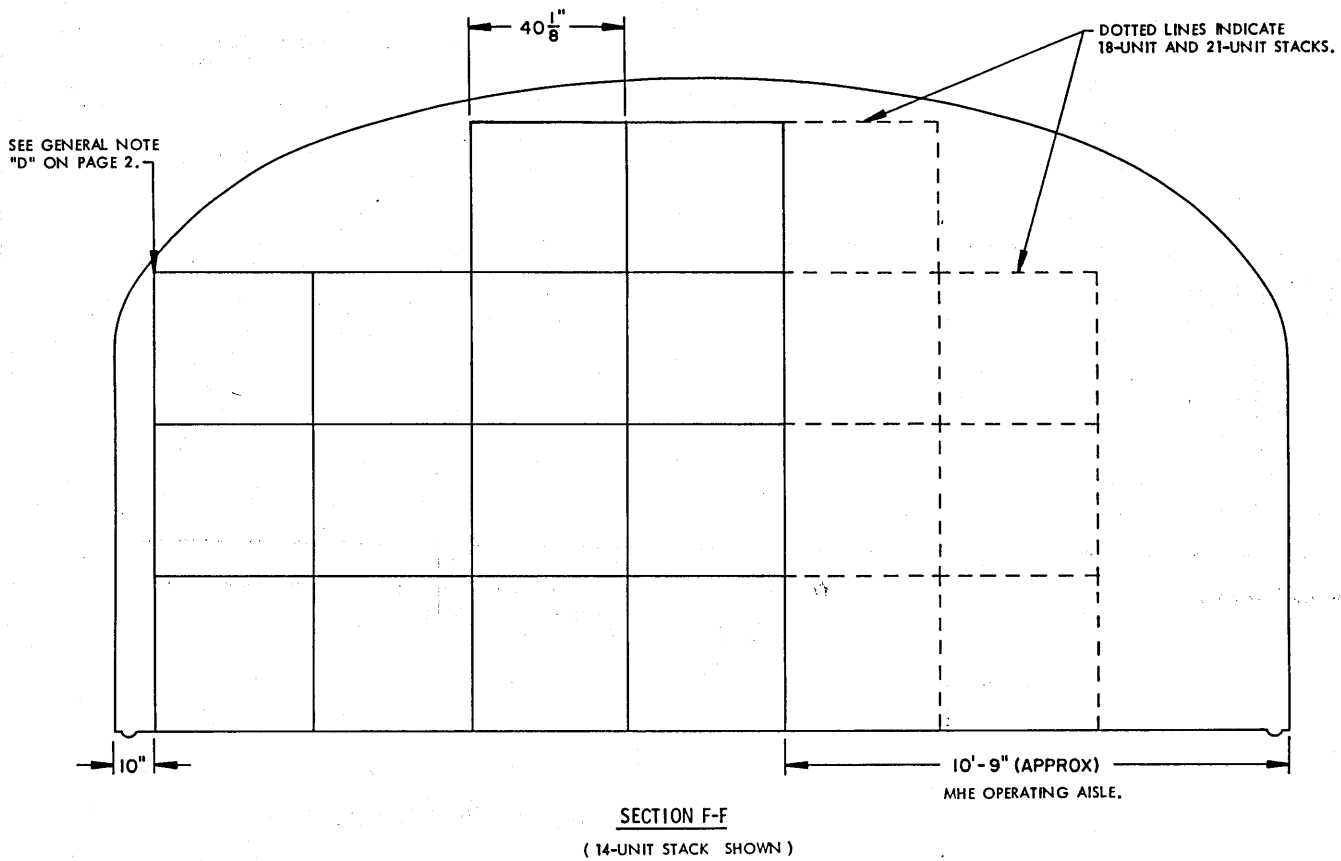
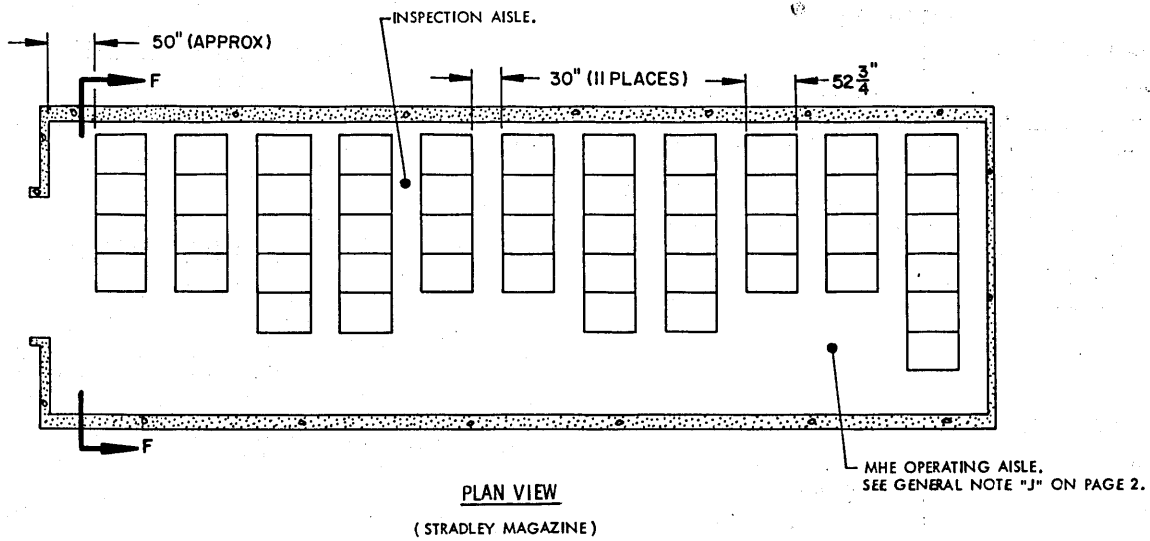
SEE GENERAL NOTE "D" ON PAGE 2.

DOTTED LINES INDICATE 7-UNIT AND 9-UNIT STACKS.

SECTION E-E
(5-UNIT STACK SHOWN)

MHE OPERATING AISLE.

SEE "GENERAL NOTES" ON PAGE 2.

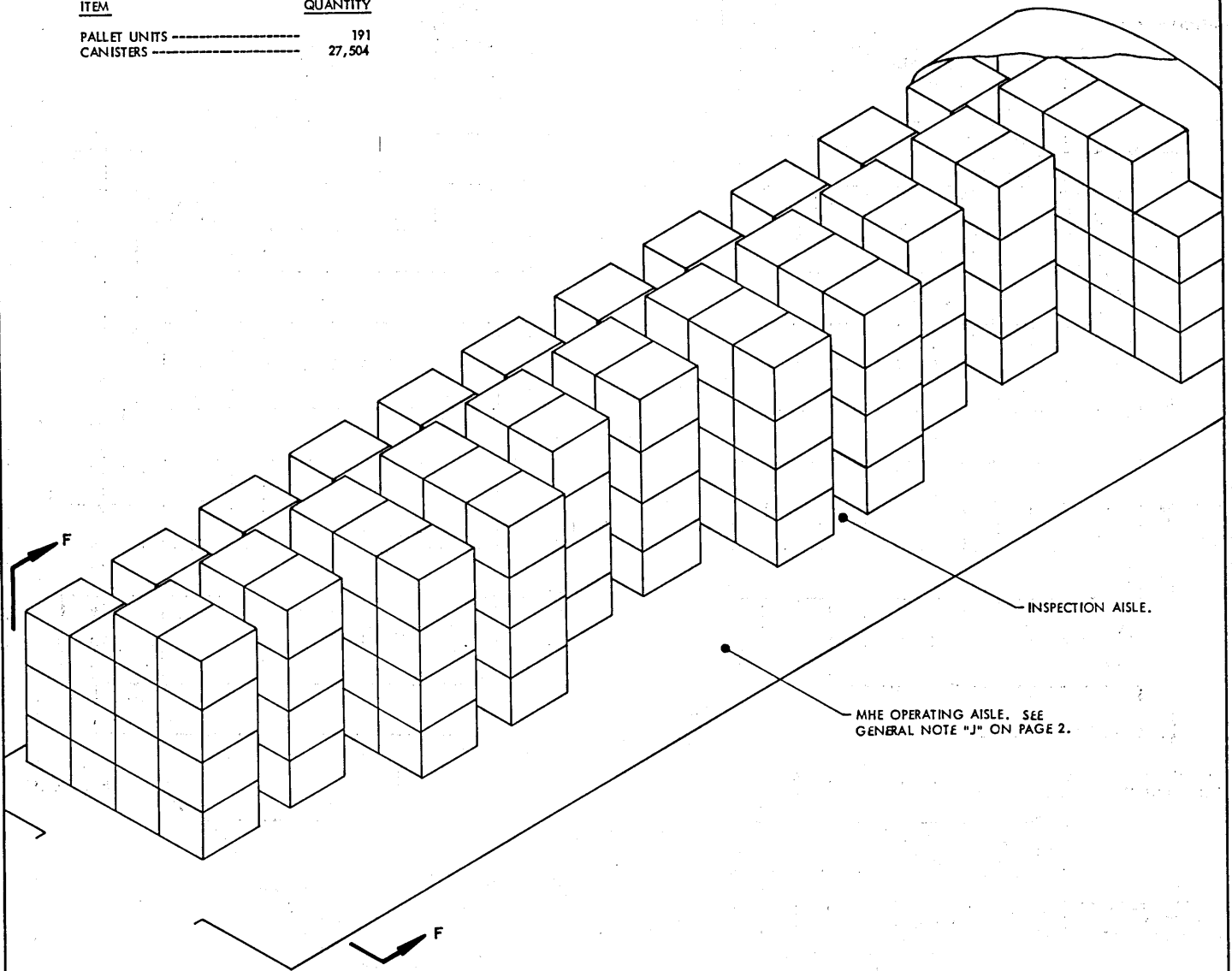


STORAGE IN STRADLEY MAGAZINE

<u>ITEM</u>	<u>QUANTITY</u>
PALLET UNITS -----	177
CANISTERS -----	25,488

STORAGE IN OVAL ARCH MAGAZINE

<u>ITEM</u>	<u>QUANTITY</u>
PALLET UNITS -----	191
CANISTERS -----	27,504



ISOMETRIC VIEW
(STRADLEY MAGAZINE)

INSPECTION AISLE.

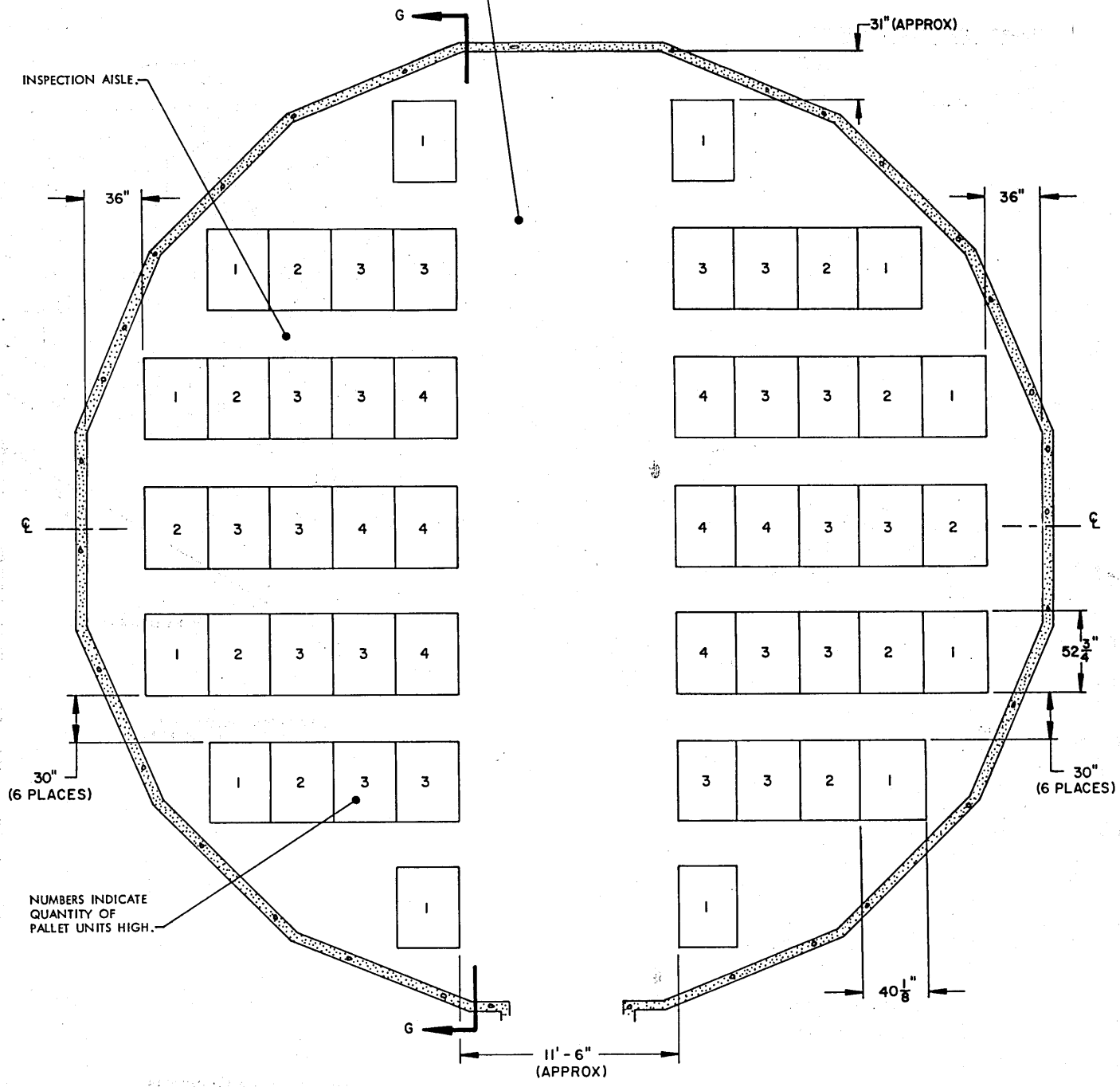
MHE OPERATING AISLE. SEE
GENERAL NOTE "J" ON PAGE 2.

SEE "GENERAL NOTES" ON PAGE 2.

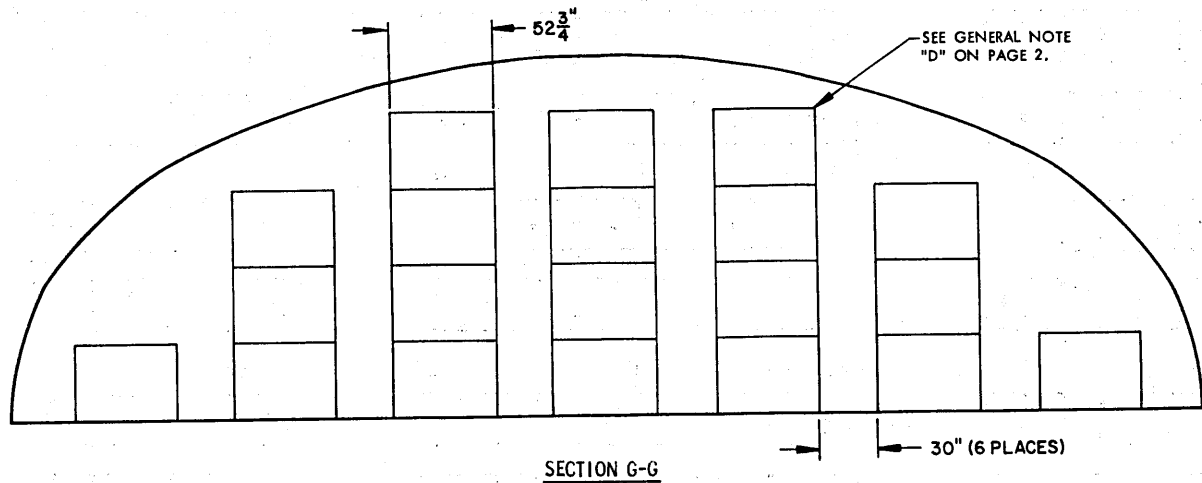
STORAGE IN 52'-0" DIAMETER MAGAZINE

ITEM	QUANTITY
PALLET UNITS	124
CANISTERS	17,856

MHE OPERATING AISLE.
SEE GENERAL NOTE
"J" ON PAGE 2.



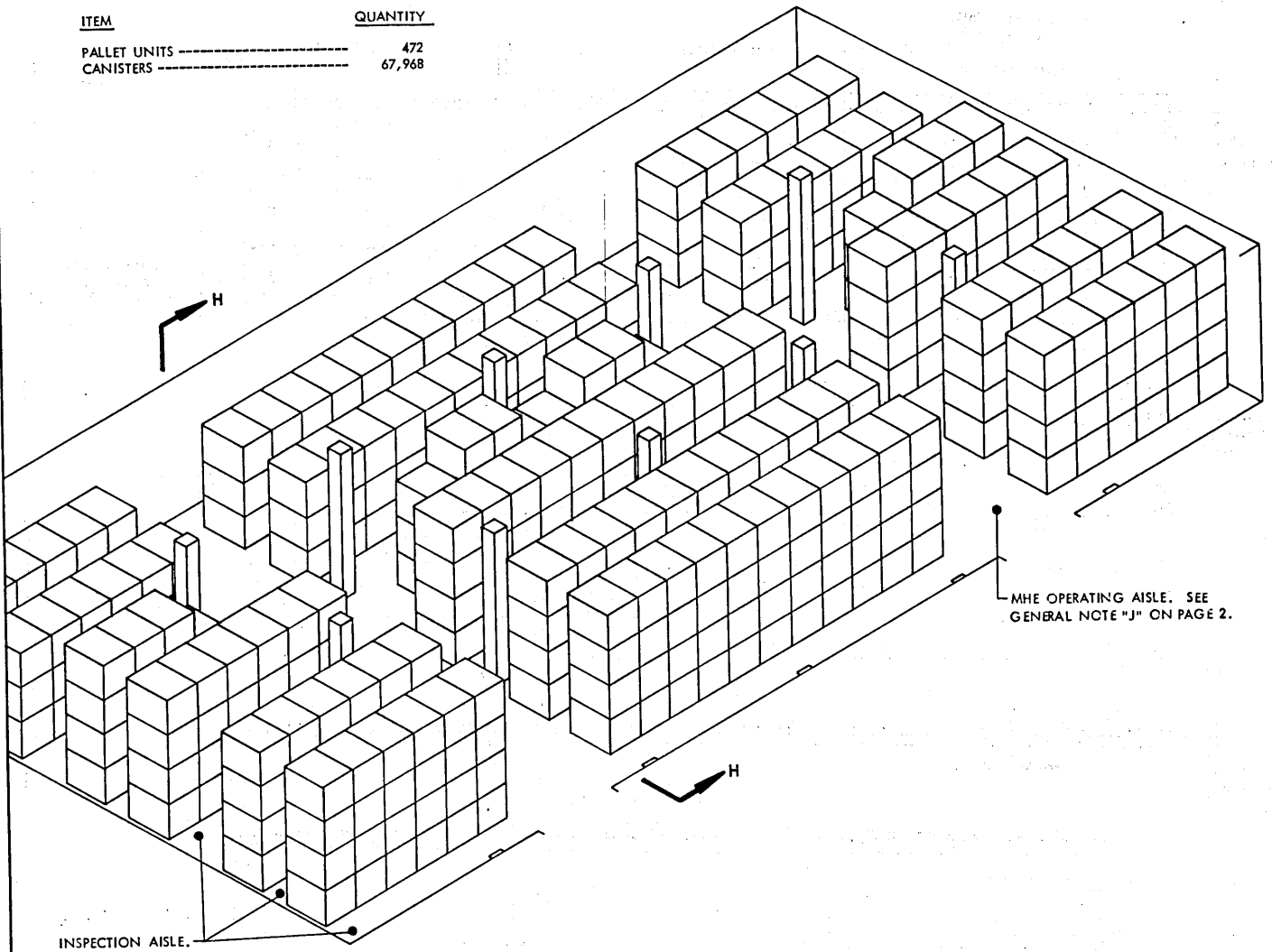
PLAN VIEW
(CORBETTA MAGAZINE)



SEE "GENERAL NOTES" ON PAGE 2.

STORAGE IN 100'-8" L X 50'-0" W MAGAZINE

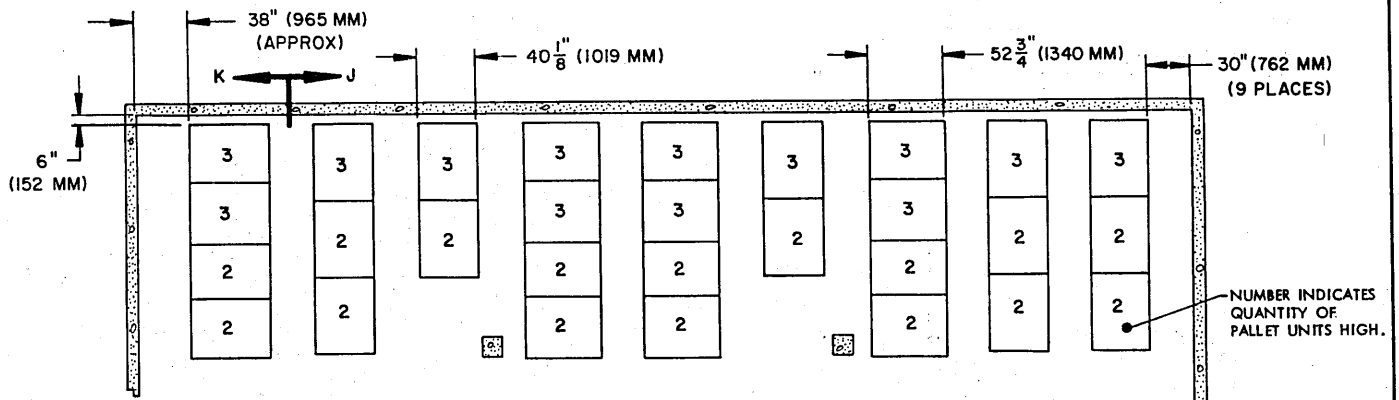
<u>ITEM</u>	<u>QUANTITY</u>
PALLET UNITS -----	472
CANISTERS -----	67,968



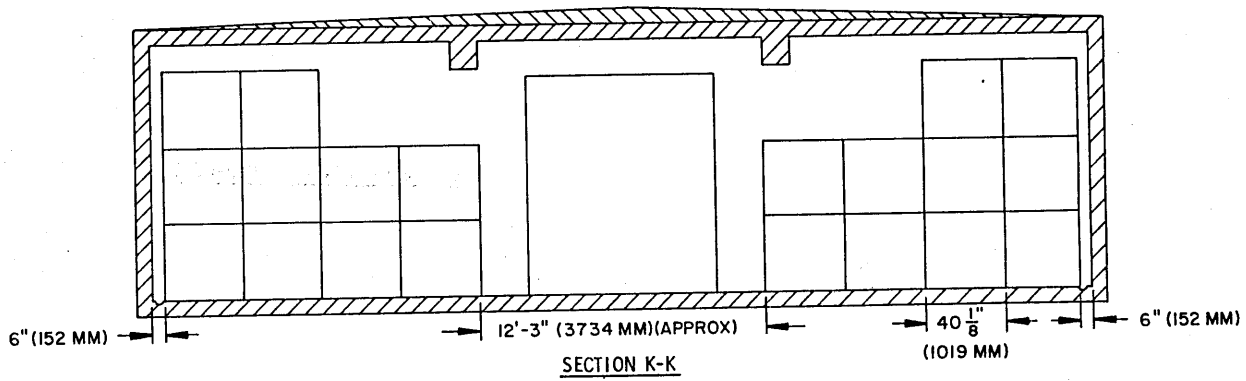
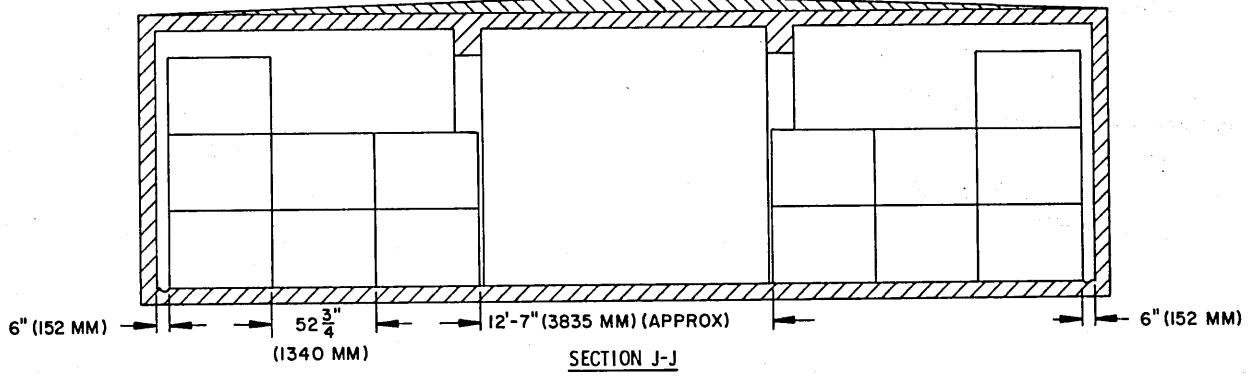
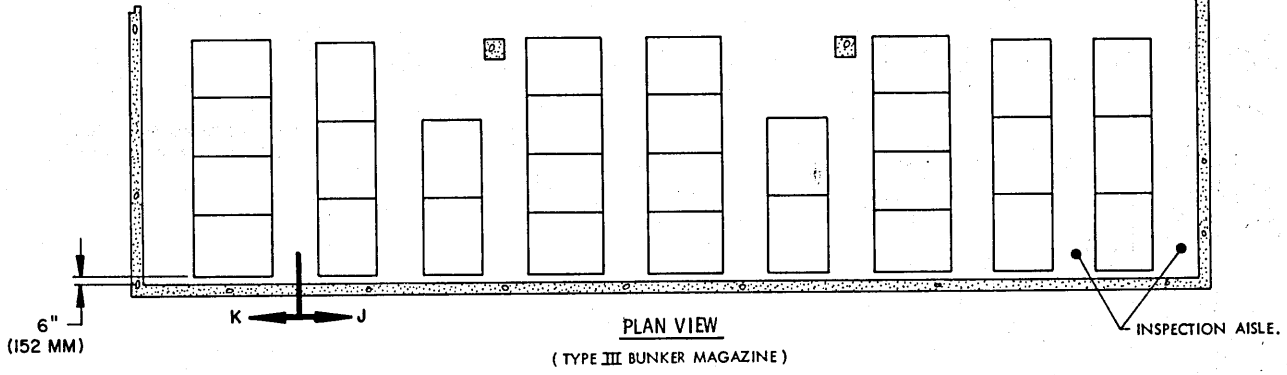
ISOMETRIC VIEW

(100'-8" L X 50'-0" W MAGAZINE)

SEE "GENERAL NOTES" ON PAGE 2.

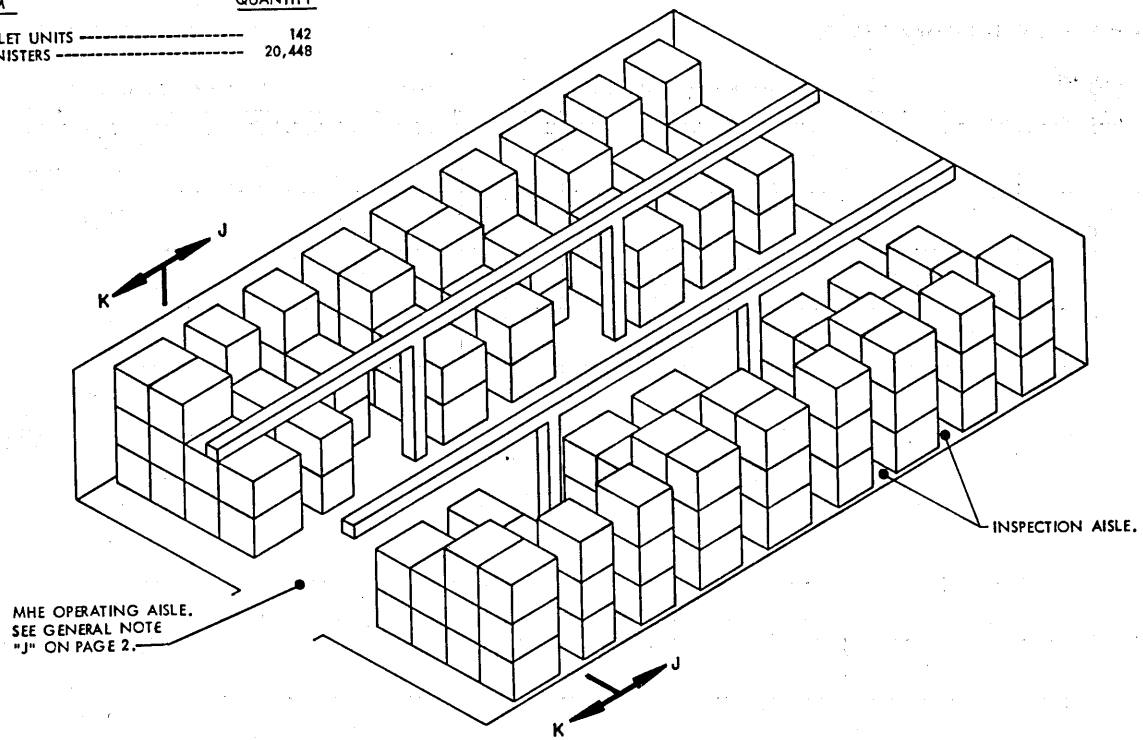


MHE OPERATING AISLE.
SEE GENERAL NOTE
"J" ON PAGE 2.



STORAGE IN TYPE III BUNKER MAGAZINE

ITEM	QUANTITY
PALLET UNITS -----	142
CANISTERS -----	20,448

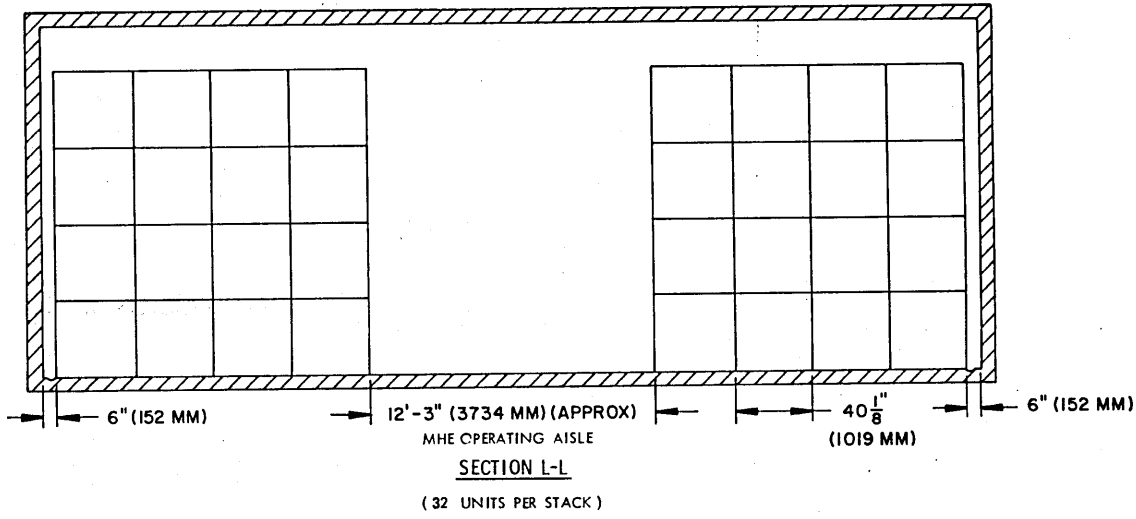
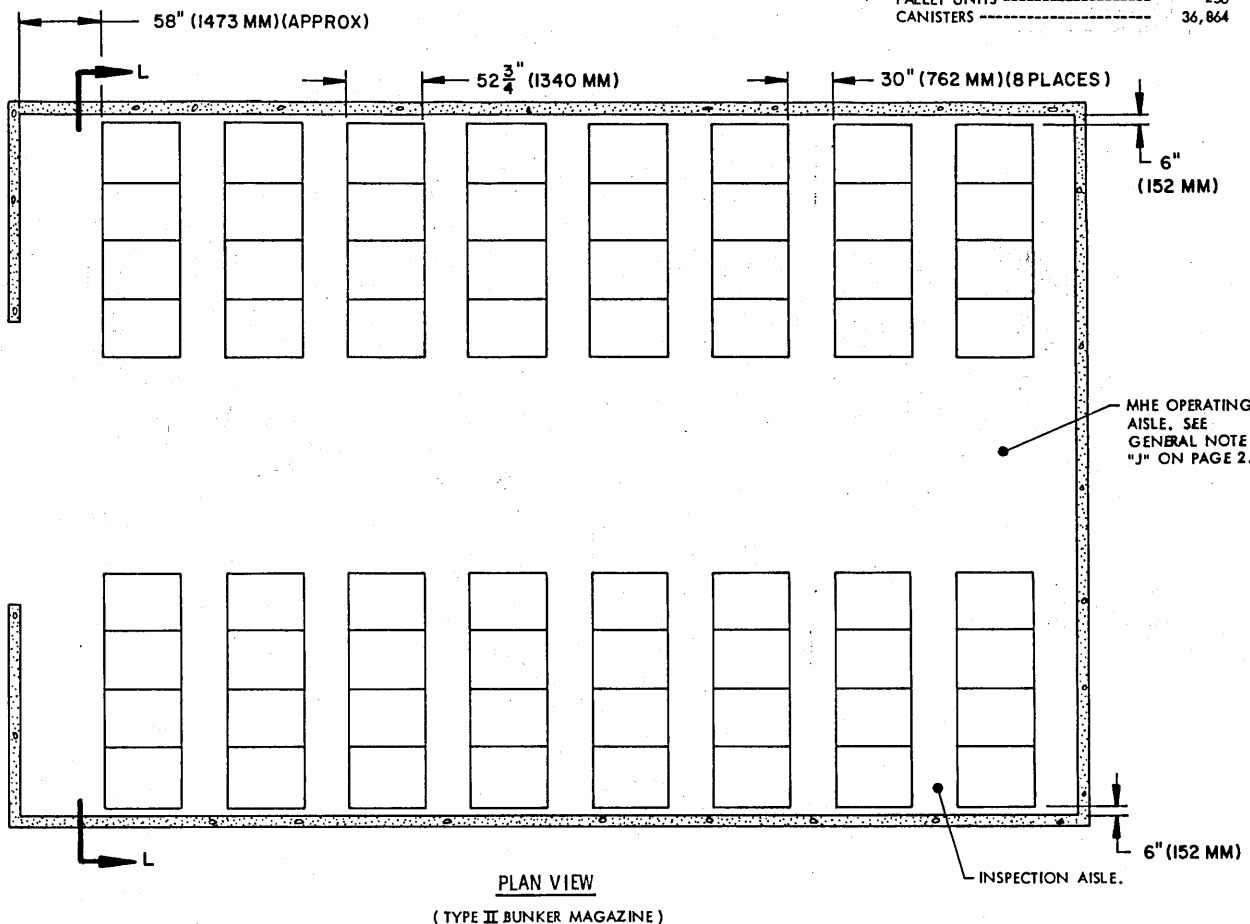


ISOMETRIC VIEW
(TYPE III BUNKER MAGAZINE)

SEE "GENERAL NOTES" ON PAGE 2.

STORAGE IN TYPE II BUNKER MAGAZINE

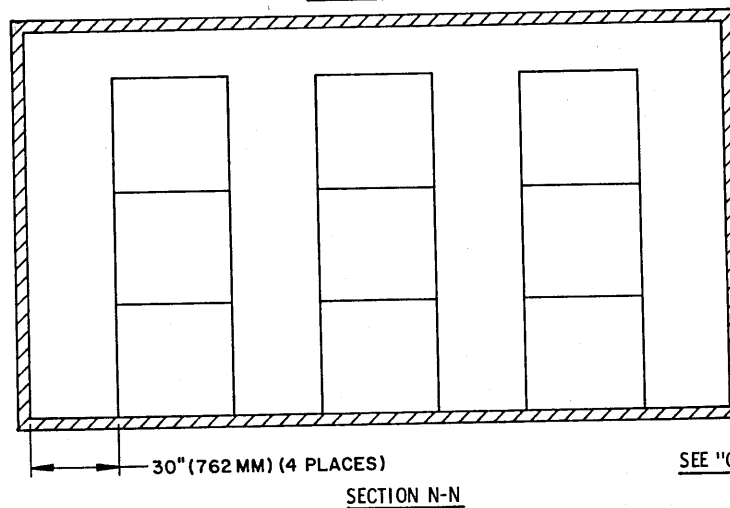
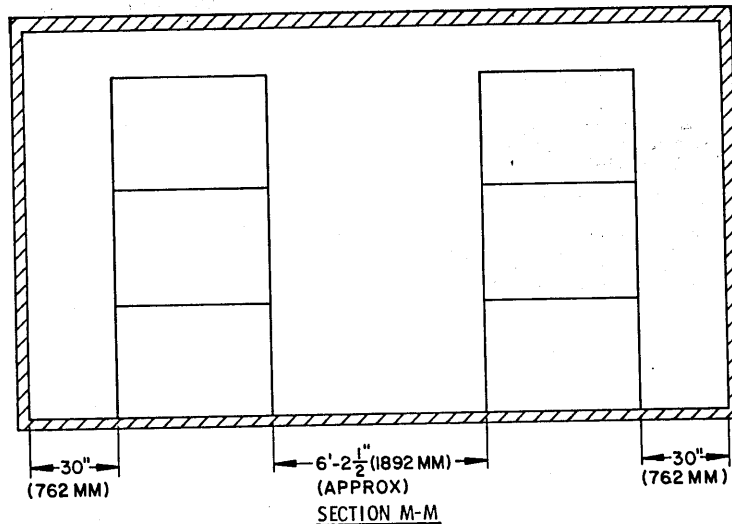
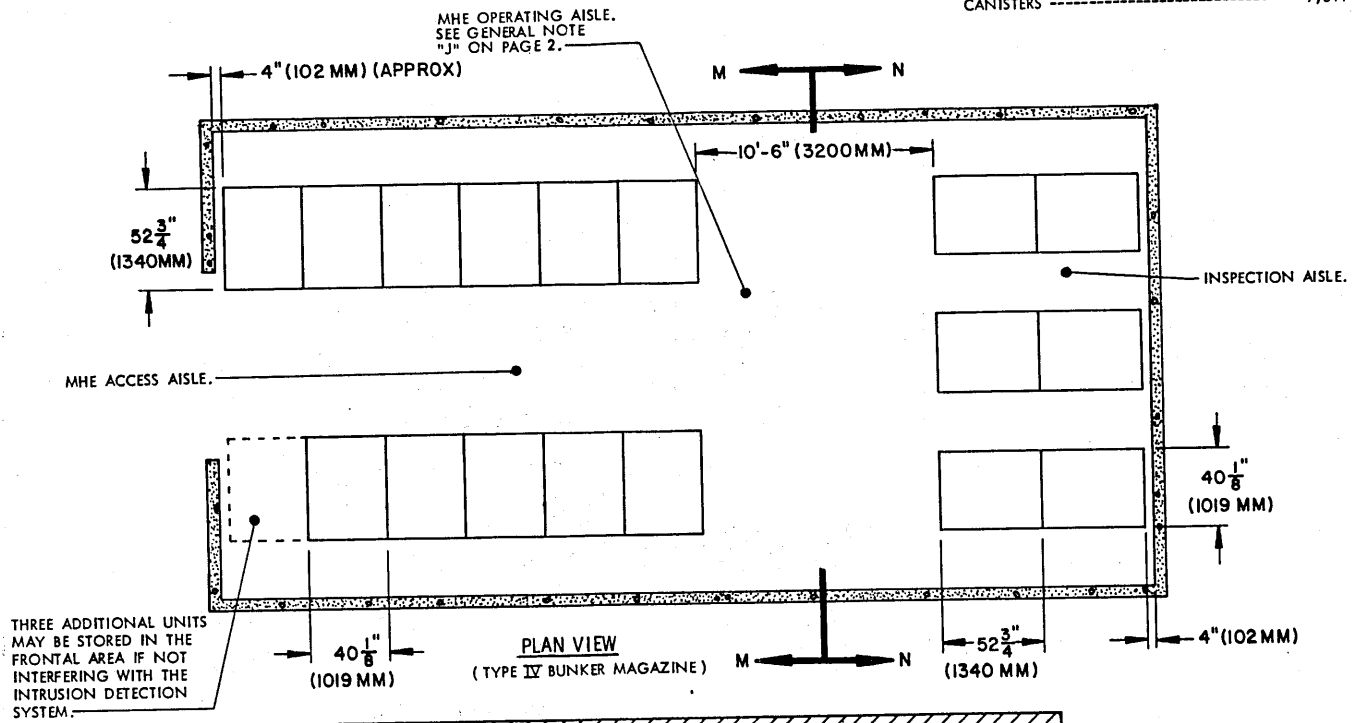
ITEM	QUANTITY
PALLET UNITS	256
CANISTERS	36,864



SEE "GENERAL NOTES" ON PAGE 2.

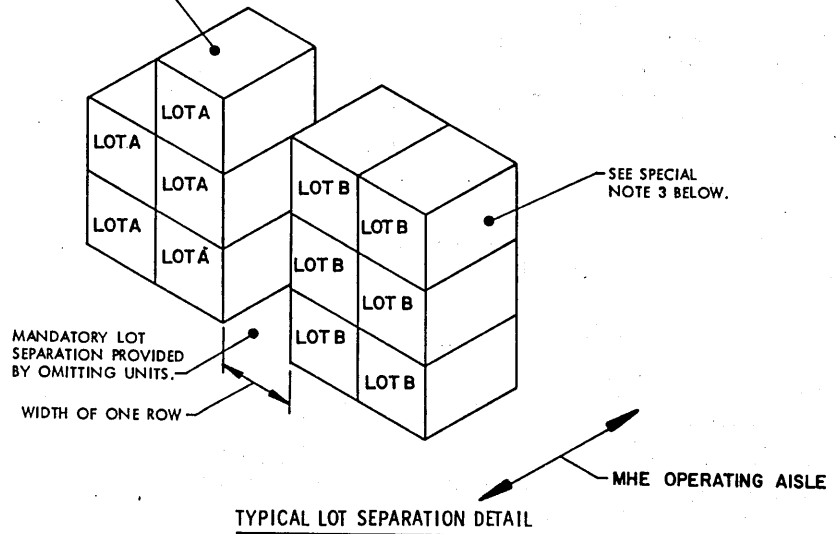
STORAGE IN TYPE IV BUNKER MAGAZINE

ITEM	QUANTITY
PALLET UNITS -----	51
CANISTERS -----	7,344



STORAGE PROCEDURES IN 40'-0" L X 20'-0" W X 11'-0" H TYPE IV BUNKER MAGAZINE

SEE SPECIAL
NOTE 2 BELOW.



SPECIAL NOTES:

1. WHEN STORING MULTIPLE LOTS WITHIN A MAGAZINE, DIFFERENT LOTS WILL BE SEPARATED WITHIN A STACK BY OMITTING UNITS IN THE MANNER SHOWN IN THE "TYPICAL LOT SEPARATION DETAIL".
2. ONE LOT WILL NOT BE STACKED ON TOP OF ANOTHER LOT.
3. TO SATISFY LOT QUANTITIES, IT MAY BE NECESSARY TO OMIT A ROW-STACK WHICH WOULD NORMALLY BE NEXT TO AN MHE OPERATING AISLE, SINCE IT IS NOT PERMISSIBLE TO STACK ITEMS OF ONE LOT IMMEDIATELY ADJACENT TO ITEMS OF ANOTHER LOT WITHIN THE SAME STACK.