

UNITIZATION PROCEDURES FOR CHEMICAL PROJECTILE CANISTER, FOR 155MM BINARY SEPARATE LOADING PROJECTILE, PACKED 8 CANISTERS PER WOODEN BOX, UNITIZED 12 BOXES PER 40" X 48" 4-WAY ENTRY PALLET; APPROX BOX SIZE 26 $\frac{3}{8}$ " L X 13 $\frac{3}{8}$ " W X 16 $\frac{15}{16}$ " H

PALLET UNIT DATA						
ITEMS INCLUDED		HAZARD CLASSIFICATION ^①				WEIGHT (LBS)
NSN	DODIC	DOT CLASS	CG CLASS	QD CLASS	COMP GROUP	
1320-00-407-830B 01-249-3242	D002 D100	FL FL	XI-C XI-C	3 3	L L	1,852 1,852

REVISIONS

REVISION NO. 1, DATED DECEMBER 1987, CONSISTS OF:

1. UPDATING DRAWING TITLE.
2. ADDING "PALLET UNIT DATA" CHART.

REVISION NO. 2, DATED MAY 1989, CONSISTS OF:

ADDING GENERAL NOTE "H".

NOTICE: THIS DRAWING CANNOT STAND ALONE BUT MUST BE USED IN CONJUNCTION WITH THE BASIC UNITIZATION PROCEDURES DRAWING 19-48-4116-20PA1002.

^① HAZARD CLASSIFICATION DATA CONTAINED IN THE ABOVE CHART IS FOR GUIDANCE AND INFORMATIONAL PURPOSES ONLY. VERIFICATION OF THE SPECIFIED DATA SHOULD BE MADE BY CONSULTING THE MOST-RECENT JOINT HAZARD CLASSIFICATION SYSTEM LISTING OR OTHER APPROVED LISTING (S).

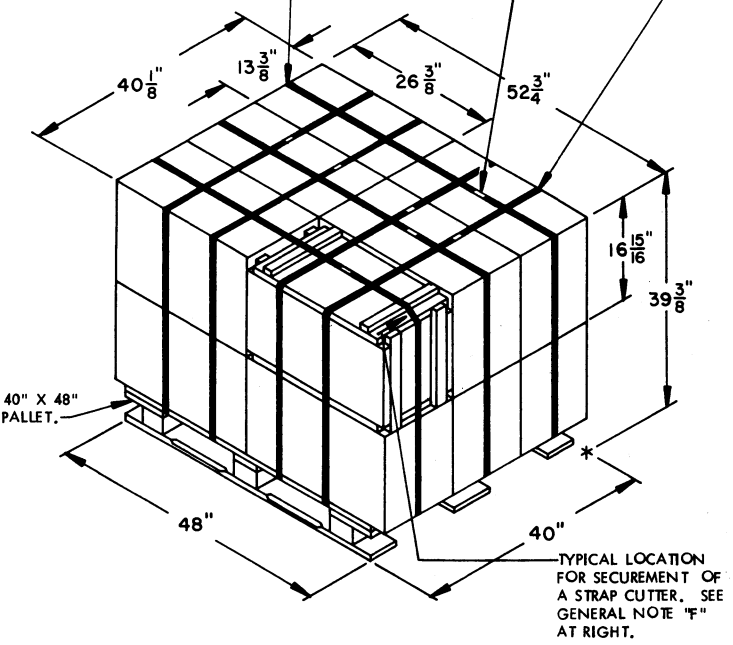
DO NOT SCALE

REVISIONS				DRAFTSMAN <i>gk/pt</i>	PROJ ENG <i>WRF/ilm</i>	N/AH (R) <i>N/AH (R)</i>
1	DEC 87	<i>WRF/ilm</i>	<i>William F. Ernest</i>	CHECKER <i>GRG</i>	LOG ENGRG OFFICE <i>W F Ernest</i>	
2	MAY 89	<i>WRF/ilm</i>	<i>William F. Ernest</i>	APPROVED, U. S. ARMY ARMAMENT MATERIEL READINESS COMMAND <i>William F. Ernest</i>		
				DRSAR - LEP <i>John L. Syrdy</i>		
				APPROVED BY ORDER OF COMMANDING GENERAL, U. S. ARMY MATERIEL DEVELOPMENT AND READINESS COMMAND (DARCOM) <i>John L. Syrdy</i>		
				U. S. ARMY DEFENSE AMMUNITION CENTER AND SCHOOL		
				U. S. ARMY DARCOM DRAWING		
				MARCH 1982		
				CLASS	DIVISION	DRAWING
				19	48	4524
						FILE
						CB 20PA2

LOAD STRAP, 3/4" X .035" OR .031" X 15'-7" LONG STEEL STRAPPING (3 REQD). SEE GENERAL NOTE "C" AT RIGHT.

SEAL FOR 3/4" STRAPPING (7 REQD, 1 PER STRAP). CRIMP EACH SEAL WITH TWO PAIR OF NOTCHES.

TIEDOWN STRAP, 3/4" X .035" OR .031" X 13'-5" LONG STEEL STRAPPING (4 REQD). SEE GENERAL NOTE "D" AT RIGHT.



PALLET UNIT

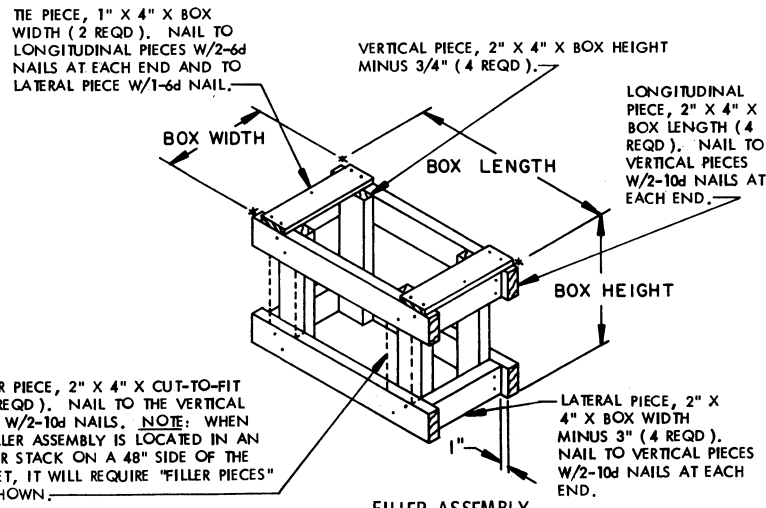
SEE GENERAL NOTE "B" AT RIGHT.

12 BOXES OF CANISTERS (8 PER BOX) @ 147 LBS -----	1,764 LBS (APPROX)
DUNNAGE -----	8 LBS
PALLET -----	80 LBS
TOTAL WEIGHT -----	1,852 LBS (APPROX)
CUBE -----	48.2 CU FT (APPROX)

BILL OF MATERIAL			
PALLET, 40" X 48" -----	1 REQD -----	80 LBS	
STEEL STRAPPING, 3/4" -----	100.42 REQD -----	7.17 LBS	
SEAL FOR 3/4" STRAPPING -----	7 REQD -----	NIL	

GENERAL NOTES

- A. THIS DRAWING CANNOT STAND ALONE BUT MUST BE USED IN CONJUNCTION WITH THE BASIC UNITIZATION PROCEDURES DRAWING 19-48-4116-20PA1002. TO PRODUCE AN APPROVED UNIT LOAD, ALL PERTINENT PROCEDURES, SPECIFICATIONS AND CRITERIA SET FORTH WITHIN THE BASIC DRAWING WILL APPLY TO THE PROCEDURES DELINEATED IN THIS DRAWING. ANY EXCEPTIONS TO THE BASIC PROCEDURES ARE SPECIFIED IN THIS DRAWING.
- B. DIMENSIONS, CUBE AND WEIGHT OF A PALLET UNIT WILL VARY SLIGHTLY DEPENDING UPON THE ACTUAL DIMENSIONS OF THE BOXES AND THE WEIGHT OF THE SPECIFIC ITEM BEING UNITIZED.
- C. THE LOAD STRAPS MUST BE PRE-POSITIONED ON THE PALLET DECK PRIOR TO PLACING BOXES ON THE PALLET. LOAD STRAPS MUST NOT BE TENSIONED AND SEALED UNTIL TIEDOWN STRAPS HAVE BEEN TENSIONED AND SEALED.
- D. INSTALL EACH TIEDOWN STRAP TO PASS UNDER THE TOP DECK BOARDS OF THE PALLET AND TO BE LOCATED AS SHOWN.
- E. THE FOLLOWING AMC (DARCOC) DRAWINGS ARE APPLICABLE FOR OUTLOADING AND STORAGE OF THE ITEMS COVERED BY THIS DRAWING.
 - CARLOADING ----- 19-48-4115-5PA1002
 - TRUCKLOADING ----- 19-48-4117-11PA1003
 - STORAGE ----- 19-48-4528-CB1-3-4-14-22PA1
- F. FOR THE METHOD OF SECURING A STRAP CUTTER TO THE PALLET UNIT, SEE DARCOC DRAWING 19-48-4127-20P1000.
- G. THE STYLE 1 PALLET DELINEATED IN THE DETAIL AT LEFT NEED NOT HAVE CHAMFERS OR STRAP SLOTS AS SPECIFIED WITHIN MILITARY SPECIFICATION MIL-P-15011 WHEN USED FOR THE UNITIZATION OF THE ITEMS COVERED BY THIS DRAWING.
- H. FOR MARKING OF THE SHIPPING CONTAINER, REFER TO U.S. ARMY ARMAMENT, MUNITIONS AND CHEMICAL COMMAND, CHEMICAL RESEARCH, DEVELOPMENT AND ENGINEERING CENTER DRAWING D15-12-91.



FILLER ASSEMBLY

(FOR MINUS ONE BOX)