

# STORAGE IN 60' & 80' IGLOO, 80' STRADLEY, AND 89' OVAL-ARCH MAGAZINES OF M116 SERIES CHEMICAL BOMB (WETEYE) IN MK398 SERIES CONTAINER

## INDEX

<u>ITEM</u>	<u>PAGE (S)</u>
GENERAL NOTES, AND MATERIAL SPECIFICATIONS .....	3
IGLOO MAGAZINE STORAGE PROCEDURES .....	2,3
STRADLEY MAGAZINE STORAGE PROCEDURES .....	4,5
OVAL-ARCH MAGAZINE STORAGE PROCEDURES .....	6,7
MULTIPLE LOT STORAGE REQUIREMENTS .....	8

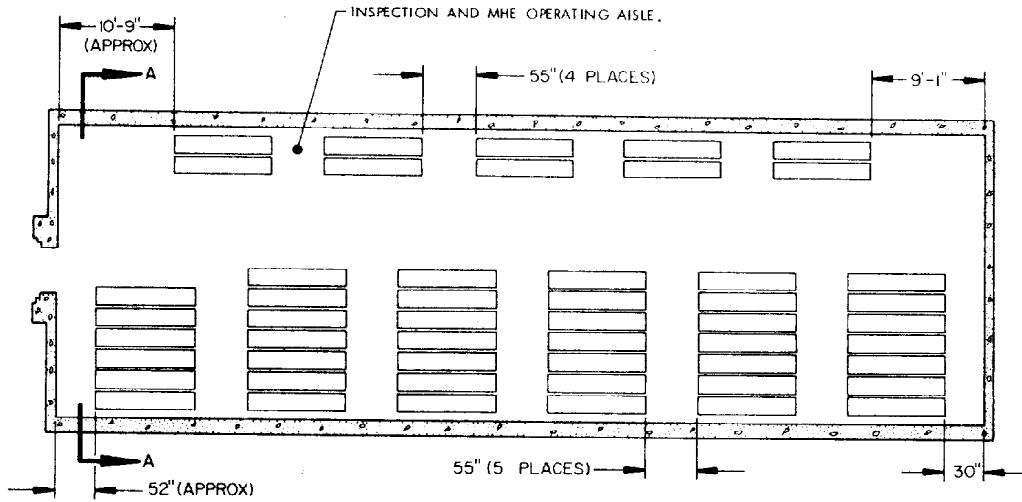
REVISIONS				DRAFTSMAN GRG	PROJ ENG J.H.H./K.W.		
				CHECKER GRG	LOGS BRANCH OFFICE John Powell		
				APPROVED, U.S. ARMY ARMAMENT COMMAND			
				<i>[Signature]</i>			
				APPROVED BY ORDER OF COMMANDING GENERAL, U.S. ARMY MATERIEL DEVELOPMENT AND RESUPPLY COMMAND (DARCOM) <i>[Signature]</i> DARCOM AMMO CENTER			
				U.S. ARMY DARCOM DRAWING			
				SEPTEMBER 1976			
				CLASS	DIVISION	DRAWING	FILE
				19	48	4512	CBI-14- 22B2

**DO NOT SCALE**

STORAGE AS SHOWN

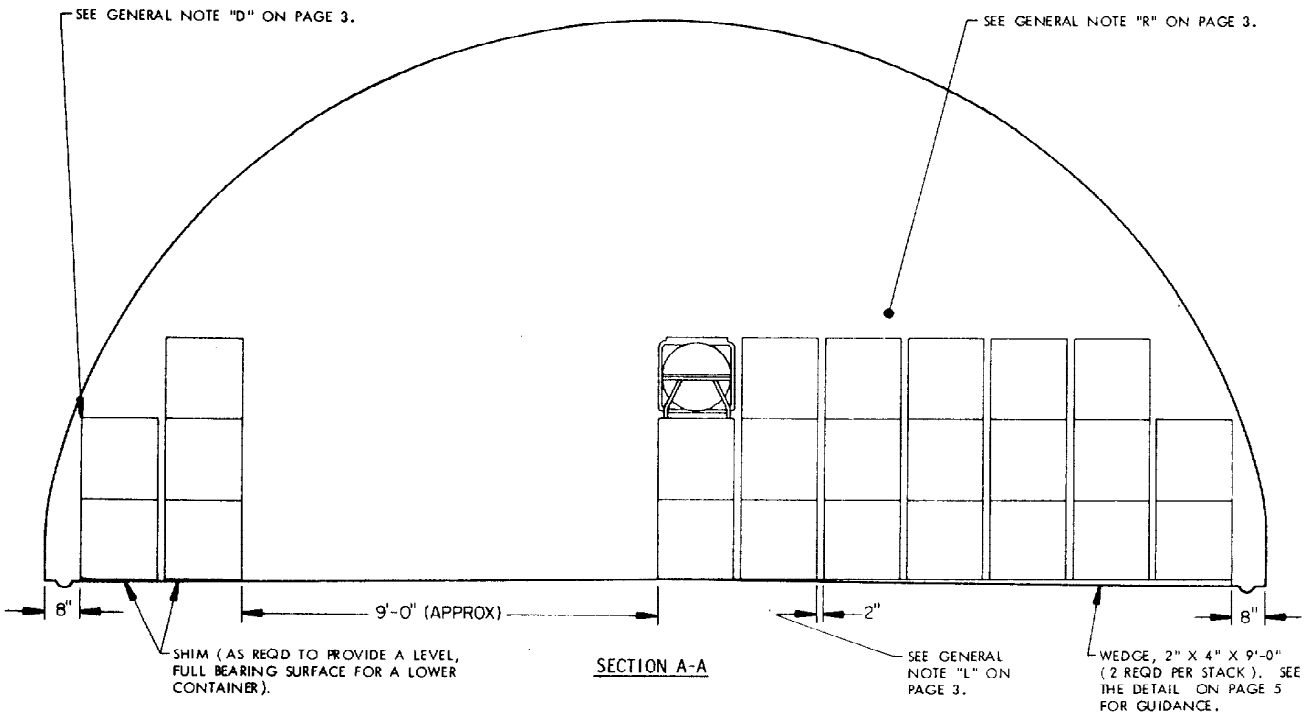
80' IGL00

ITEM	QUANTITY
CONTAINER WITH BOMB	---- 142



PLAN VIEW

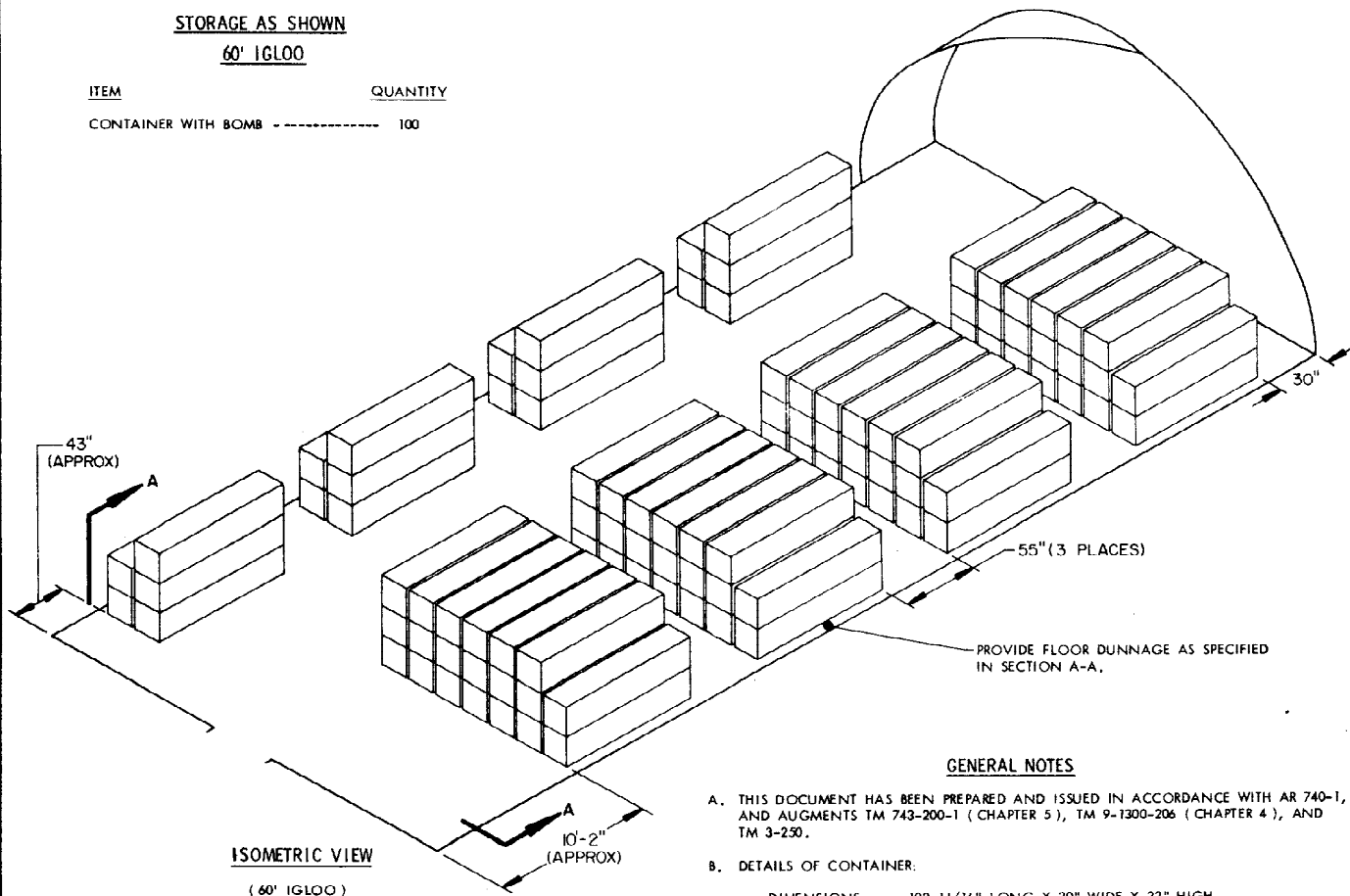
(80' IGL00)



**STORAGE AS SHOWN**

**60' IGLOO**

ITEM	QUANTITY
CONTAINER WITH BOMB -----	100



**ISOMETRIC VIEW**

(60' IGLOO)

(GENERAL NOTES CONTINUED)

- N. WEDGES ARE REQUIRED TO PERMIT LEVEL STACKING OF UNITS IN IGLOO AND STRADLEY MAGAZINES, WHICH HAVE FLOORS THAT SLOPE TOWARD THE SIDEWALL OF THE MAGAZINE. WEDGES ARE NOT REQUIRED IN OVAL-ARCH MAGAZINES, WHERE THE FLOOR DOES NOT SLOPE TOWARD THE SIDEWALL OF THE MAGAZINE. WEDGES WILL BE USED IN AN OVAL-ARCH MAGAZINE IF THE FLOOR IS SLOPED TO THE SIDE WALLS.
- O. THE STORAGE PROCEDURES DEPICTED FOR IGLOO MAGAZINES ARE ALSO APPLICABLE FOR STEEL ARCH MAGAZINES WHICH HAVE A SIMILAR CROSS SECTIONAL AREA.
- P. REFER TO PAGE 8 FOR GUIDANCE RELATIVE TO LOT SEPARATION REQUIREMENTS WHEN STORING MULTIPLE LOTS WITHIN A MAGAZINE.
- Q. PROVIDED ADEQUATE MHE IS AVAILABLE, AND SPECIFIED INSPECTION AND MHE OPERATING AREAS ARE PROVIDED FOR, ADDITIONAL CONTAINERS MAY BE STORED IN THE FRONTAL AREA OF A MAGAZINE.
- R. STACKING OF THE M116 CHEMICAL BOMB IN THE MK398 CONTAINER IS LIMITED TO THREE UNITS IN HEIGHT BY THE PROponent AGENCY. UPON RECEIPT OF SPECIAL AUTHORITY, THE CONTAINERS MAY BE STACKED TO A MAXIMUM OF FIVE UNITS IN HEIGHT.

**BILL OF MATERIAL (PER STACK)**

BILL OF MATERIAL (PER STACK)	
WEDGES	NO. REQD
2" X 4" X 9'-0"	2
SHIMS	AS REQD

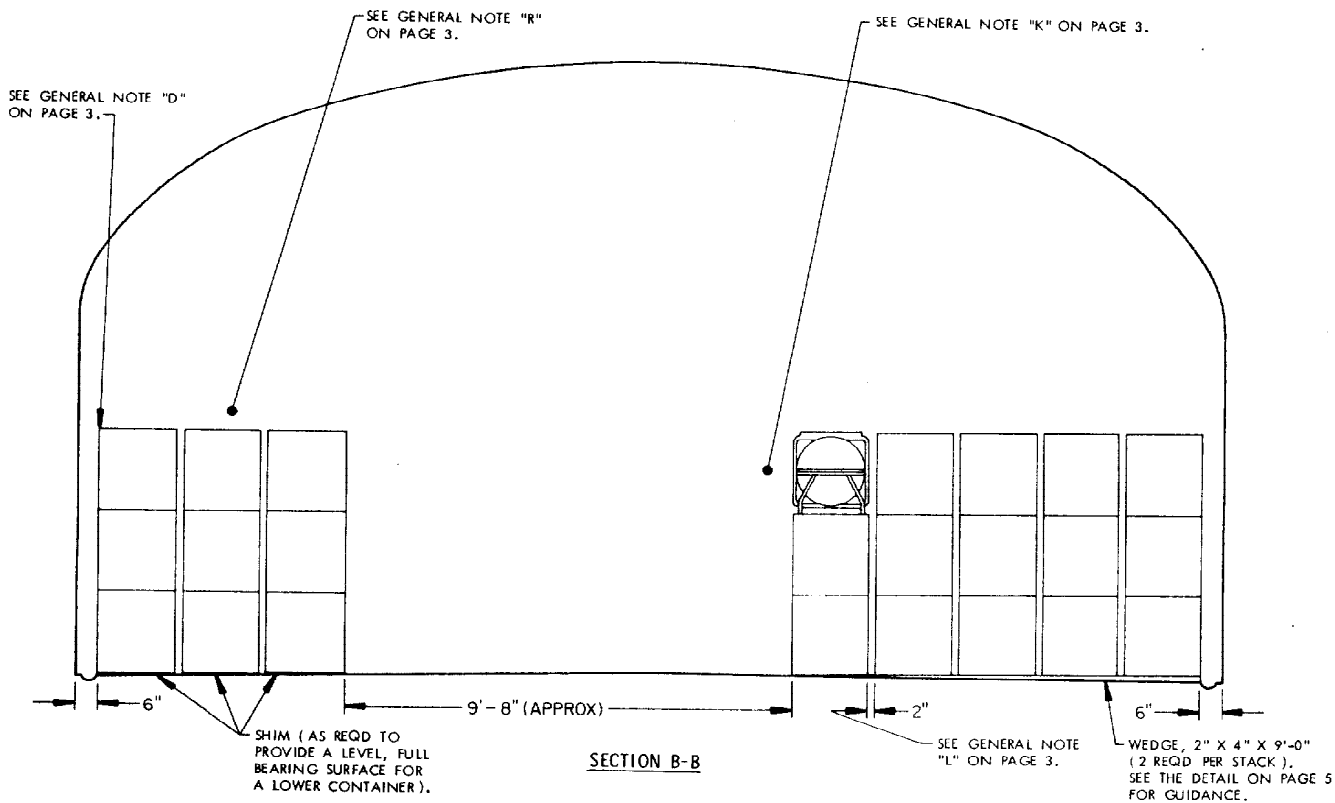
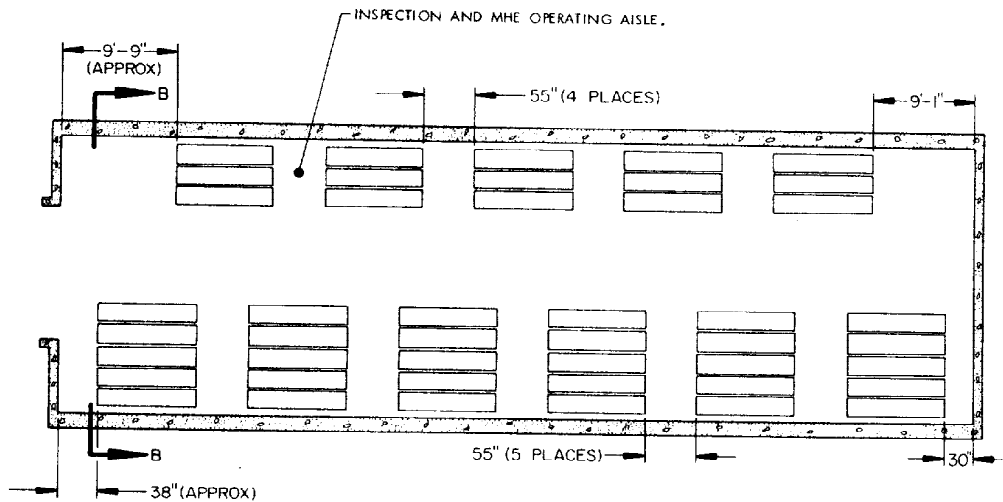
**MATERIAL SPECIFICATIONS**

**LUMBER** ----- : SEE TM 743-200-1, DUNNAGE LUMBER: FED SPEC MM-L-751.

**GENERAL NOTES**

- A. THIS DOCUMENT HAS BEEN PREPARED AND ISSUED IN ACCORDANCE WITH AR 740-1, AND AUGMENTS TM 743-200-1 (CHAPTER 5), TM 9-1300-206 (CHAPTER 4), AND TM 3-230.
- B. DETAILS OF CONTAINER:  
DIMENSIONS ---- 102-11/16" LONG X 20" WIDE X 22" HIGH.  
GROSS WEIGHT -- 851 POUNDS (APPROX).
- C. AISLE DIMENSIONS SHOWN IN THIS DRAWING MAY BE ADJUSTED TO SUIT LOCAL CONDITIONS AND/OR AVAILABLE MATERIALS HANDLING EQUIPMENT; HOWEVER, A THIRTY-INCH (30") MINIMUM ACCESS AISLE IS REQUIRED ON ONE END OF A STACK, AS SHOWN, TO FACILITATE INSPECTION.
- D. STORED CONTAINERS MUST NOT CONTACT THE WALL OF A MAGAZINE. TO PROVIDE FOR THIS MANDATORY CLEARANCE REQUIREMENT, UNITS MAY BE ELIMINATED FROM THE DEPICTED STORAGE PATTERN OR MINOR ADJUSTMENTS MAY BE MADE IN THE SPACING OF THE CONTAINERS FROM THE SIDEWALLS, AS NECESSARY.
- E. THE MAGAZINE MUST COMPLY WITH ALL REQUIREMENTS AND BE APPROVED FOR THE STORAGE OF CHEMICAL ITEMS.
- F. THE MAXIMUM FLOOR LOAD FOR A MAGAZINE, AS PRESCRIBED BY LOCAL STANDARDS, WILL NOT BE EXCEEDED.
- G. DUNNAGE LUMBER SPECIFIED THROUGHOUT THIS PROCEDURAL DRAWING IS OF NOMINAL SIZE. FOR EXAMPLE, 2" X 4" MATERIAL IS ACTUALLY 1-1/2" THICK BY 3-1/2" WIDE OR 1-5/8" THICK BY 3-5/8" WIDE.
- H. THE STORAGE PROCEDURES DEPICTED HEREIN FOR SPECIFIC TYPES OF MAGAZINES MAY ALSO BE UTILIZED TO STORE BOMBS IN OTHER TYPES OF APPROVED MAGAZINES. MINOR ADJUSTMENTS MAY BE MADE TO FACILITATE STORAGE IN OTHER TYPES OF MAGAZINES, HOWEVER, THE BASIC PRINCIPLES AS DEPICTED HEREIN WILL BE COMPLIED WITH.
- J. A COMBINATION OF MATERIAL HANDLING EQUIPMENT (MHE), SUCH AS FORKLIFT TRUCKS, PALLET JACKS, AND OTHER APPROVED EQUIPMENT, MAY BE USED TO PLACE AND/OR REMOVE UNITS WITHIN A STACK.
- K. PROVIDED SUITABLE MHE IS AVAILABLE, AND THE CONTAINERS CAN BE PROPERLY MANEUVERED INTO OR OUT OF THE STORAGE CONFIGURATION, IT IS PERMISSIBLE TO ADD ONE OR TWO ROWS OF UNITS ADJACENT TO A CENTER AISLE TO GAIN INCREASED STORAGE DENSITY.
- L. THE 2" SEPARATION BETWEEN ROWS OF CONTAINERS IS ONLY REQUIRED WHEN USING A HANDLING SLING TO PLACE OR REMOVE THE CONTAINERS. IF A HANDLING SLING IS NOT TO BE USED FOR EITHER OPERATION, THE 2" SEPARATION MAY BE ELIMINATED.
- M. OTHER COMPATIBLE ITEMS MAY BE STORED IN A MAGAZINE WHICH IS PARTIALLY FILLED WITH THE DESIGNATED ITEM.

(CONTINUED AT LEFT)



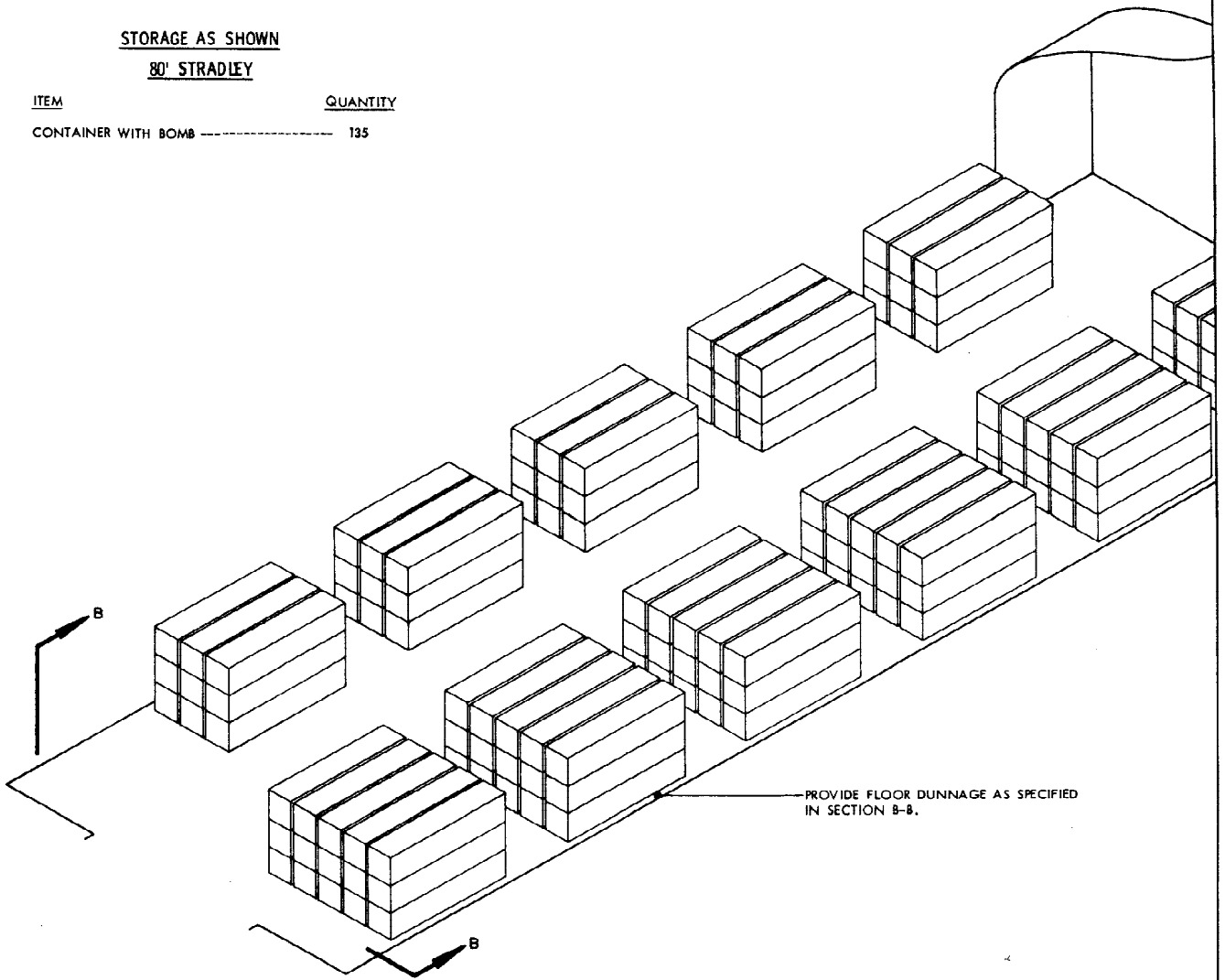
STORAGE AS SHOWN

80' STRADLEY

ITEM

QUANTITY

CONTAINER WITH BOMB ----- 135

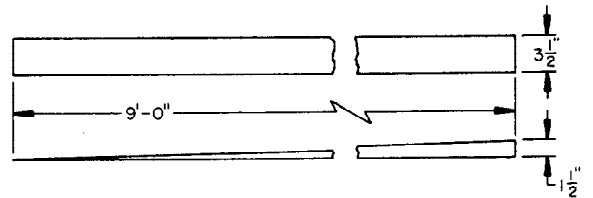


ISOMETRIC VIEW

(80' STRADLEY)

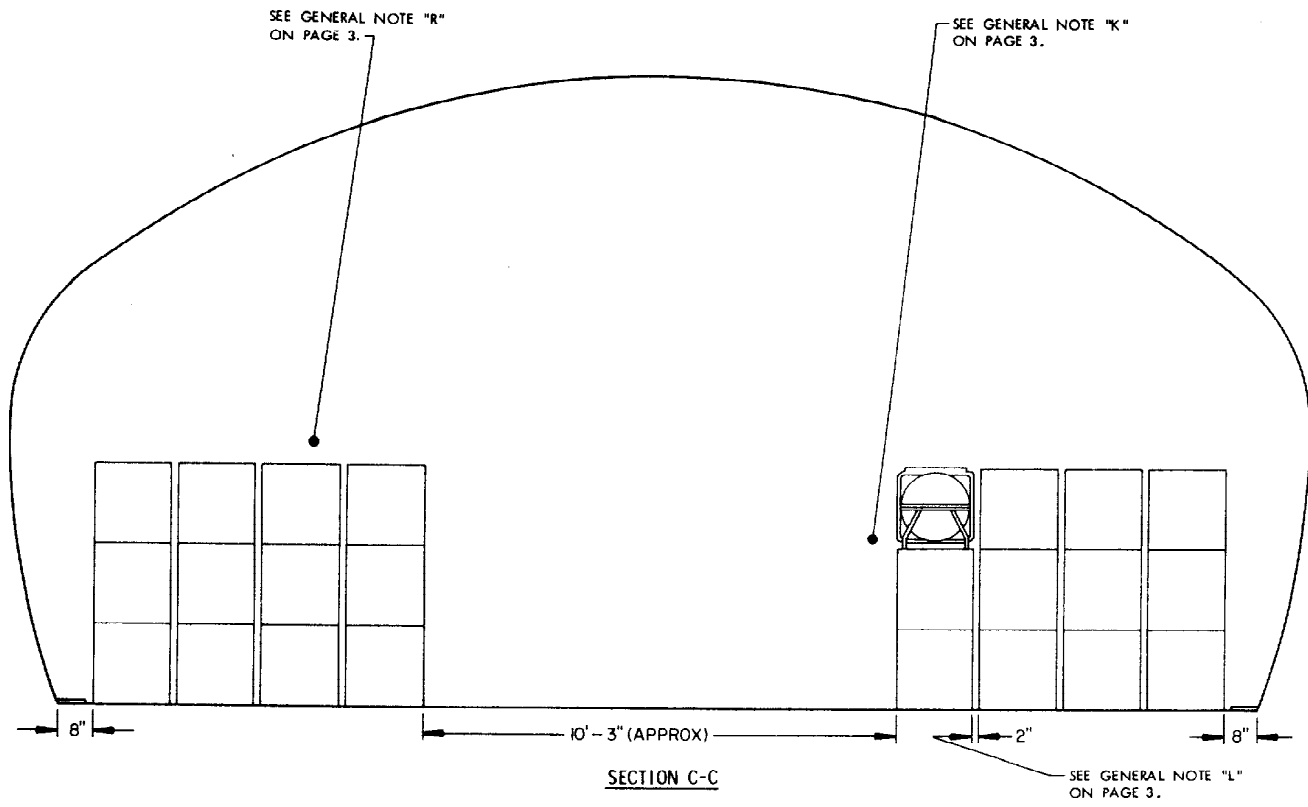
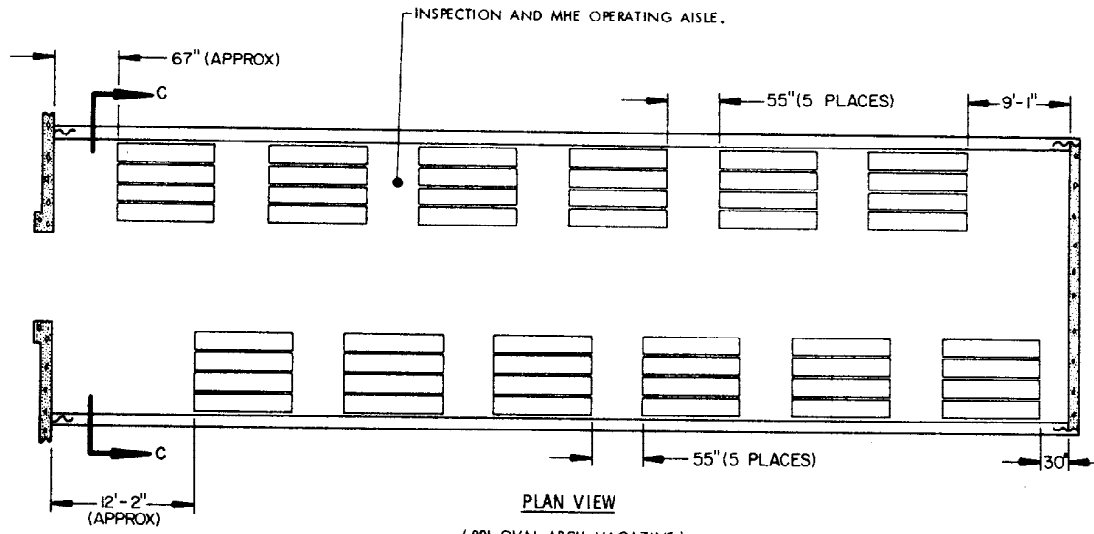
SEE "GENERAL NOTES", AND "MATERIAL SPECIFICATIONS" ON PAGE 3.

<u>BILL OF MATERIAL ( PER STACK )</u>	
<u>WEDGES</u>	<u>NO. REQD</u>
2" X 4" X 9'-0"	2
<u>SHIMS</u>	<u>AS REQD</u>



WEDGE DETAIL

( NOMINAL 2" X 4" MATERIAL )



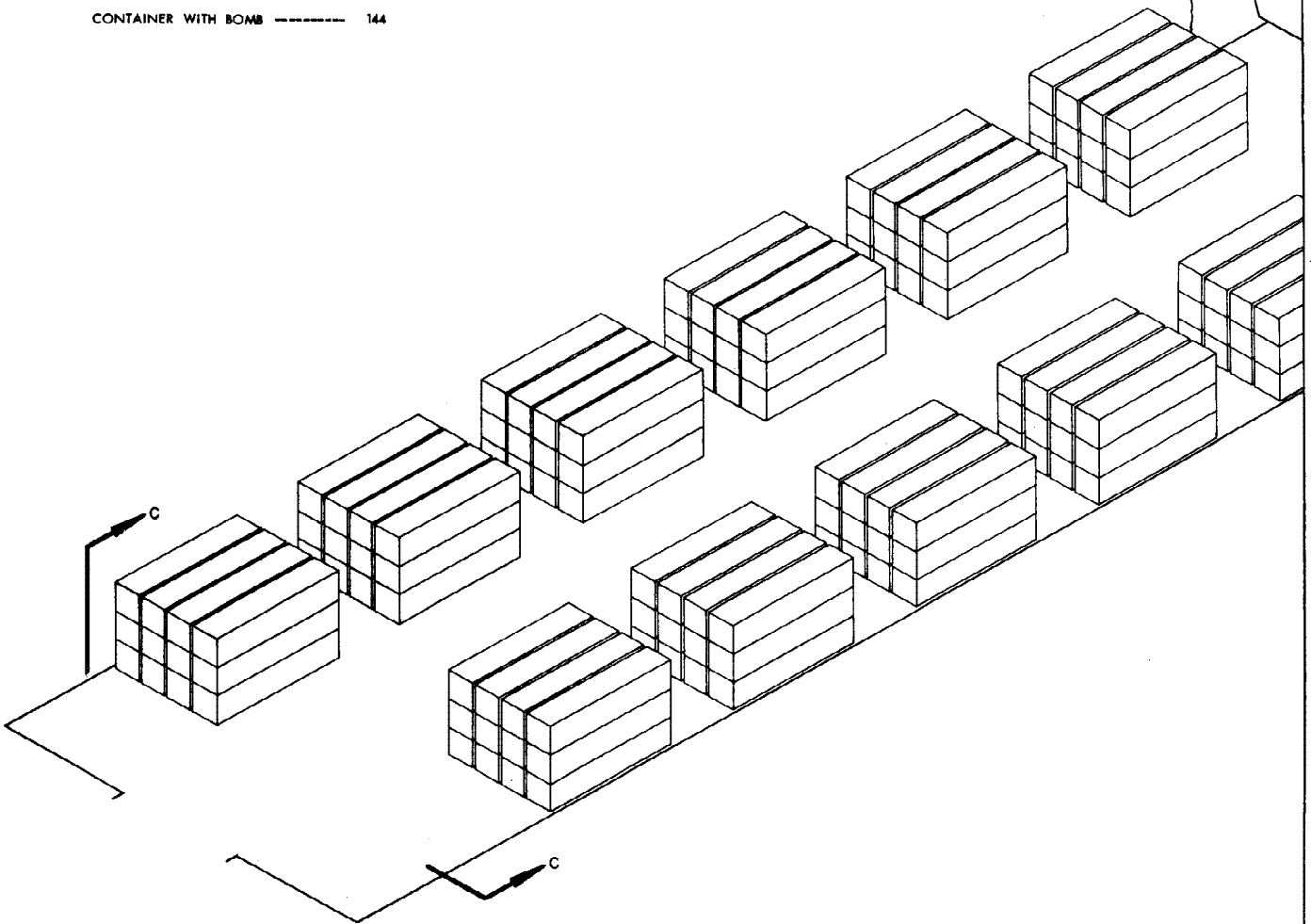
STORAGE AS SHOWN

89' OVAL-ARCH MAGAZINE

ITEM

QUANTITY

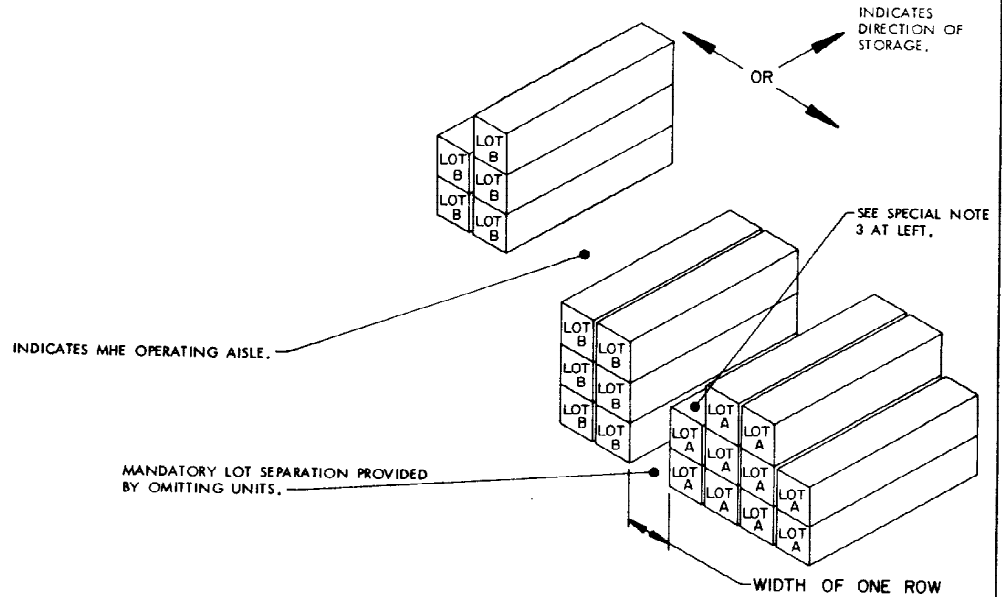
CONTAINER WITH BOMB ----- 144



ISOMETRIC VIEW

( 89' OVAL-ARCH MAGAZINE )

SEE "GENERAL NOTES"  
ON PAGE 3.

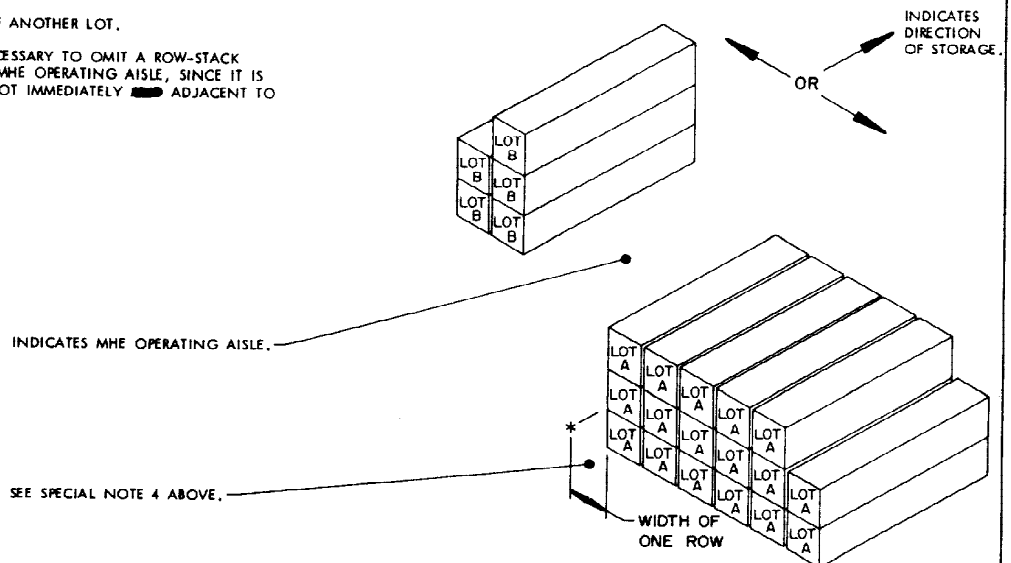


**TYPICAL LOT SEPARATION DETAIL 1**

(IGLOO STACK DEPICTED)

**SPECIAL NOTES:**

1. LOT SEPARATION WILL BE MAINTAINED WITHIN A STORAGE MAGAZINE. THE TYPICAL DETAILS ON THIS PAGE ILLUSTRATE POSSIBLE CONFIGURATIONS WHICH COMPLY WITH THE MANDATORY LOT SEPARATION REQUIREMENTS. OTHER CONFIGURATIONS MAY ALSO BE USED, PROVIDED THE OTHER CONFIGURATIONS COMPLY WITH THE BASIC REQUIREMENTS STATED HEREIN.
2. WHEN STORING MULTIPLE LOTS WITHIN A MAGAZINE, DIFFERENT LOTS WILL BE SEPARATED WITHIN A SINGLE STACK BY OMITTING UNITS IN THE MANNER SHOWN IN THE "TYPICAL LOT SEPARATION DETAILS".
3. ONE LOT WILL NOT BE STACKED ON TOP OF ANOTHER LOT.
4. TO SATISFY LOT QUANTITIES, IT MAY BE NECESSARY TO OMIT A ROW-STACK WHICH WOULD NORMALLY BE NEXT TO AN MHE OPERATING AISLE, SINCE IT IS NOT PERMISSIBLE TO STACK ITEMS OF ONE LOT IMMEDIATELY ADJACENT TO ITEMS OF ANOTHER LOT.



**TYPICAL LOT SEPARATION DETAIL 2**

(IGLOO STACK DEPICTED)