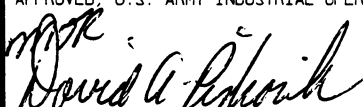
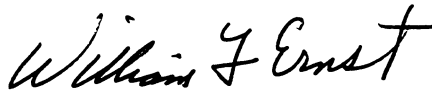

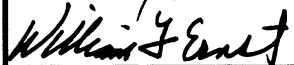


STORAGE IN APPROVED MAGAZINES OF BULK EXPLOSIVES PACKED IN FIBERBOARD BOXES, SECURED WITH STRETCH NET, UNITIZED 36 BOXES PER 35" X 45-1/2" 4-WAY ENTRY WOODEN PALLET FOR LONG TERM STORAGE

INDEX

<u>ITEM</u>	<u>PAGE(S)</u>
GENERAL NOTES AND MATERIAL SPECIFICATIONS - - - - -	2
DETAILS - - - - -	3
STORAGE PROCEDURES (EARTH COVERED MAGAZINES):	
81'-0", 60'-8" AND 40'-4" L X 26'-6" W X 12'-9" H IGLOO MAGAZINES - - -	4,5
81'-2" L X 26'-6" W X 12'-1-3/4" H ARCH TYPE MAGAZINE - - - - -	6,7
80'-0" AND 40'-0" L X 25'-0" W X 12'-1-3/4" H ARCH TYPE MAGAZINES - - -	8,9
80'-0" AND 40'-0" L X 25'-0" W X 11'-0" H ARCH TYPE MAGAZINES - - - -	10,11
80'-0" AND 40'-0" L X 25'-0" W X 10'-0" H ARCH TYPE MAGAZINES - - - -	12,13
80'-0" L X 25'-0" W X 14'-0" H STRADLEY MAGAZINE - - - - -	14,15
89'-0" L X 24'-11" W X 13'-6" H STEEL ARCH MAGAZINE - - - - -	16,17
52'-0" DIA CORBETTA MAGAZINE - - - - -	18,19
44'-7" DIA CORBETTA MAGAZINE - - - - -	20,21
100'-8" L X 50'-0" W RECTANGULAR MAGAZINE - - - - -	22,23
TYPICAL MULTIPLE-LOT PROCEDURES:	
IGLOO AND ARCH TYPE MAGAZINES - - - - -	24,25
STRADLEY MAGAZINE - - - - -	26,27
CORBETTA MAGAZINE - - - - -	28,29
RECTANGULAR MAGAZINE - - - - -	30

U.S. ARMY MATERIEL COMMAND DRAWING			
APPROVED, U.S. ARMY INDUSTRIAL OPERATIONS COMMAND  AMSTA-AR-ESK	DRAFTSMAN	D. WHITMORE	
	ENGINEER	M. DAEUMER	
APPROVED BY ORDER OF COMMANDING GENERAL, U.S. ARMY MATERIEL COMMAND  DEFENSE AMMUNITION CENTER	SUPPLY ENGINEERING DIVISION		
	LOGISTICS ENGINEERING OFFICE		
JANUARY 1997			
CLASS	DIVISION	DRAWING	FILE
19	48	4211	1-3-4-14-22PA1012

DO NOT SCALE

GENERAL NOTES

(GENERAL NOTES CONTINUED)

- A. THIS DOCUMENT HAS BEEN PREPARED AND ISSUED IN ACCORDANCE WITH AR 740-1 AND AUGMENTS TM 743-200-1 (CHAPTER 5).
- B. THE STORAGE PROCEDURES SPECIFIED HEREIN ARE APPLICABLE TO BULK EXPLOSIVES PACKED IN FIBERBOARD BOXES, SECURED WITH STRETCH NET, UNITIZED 36 BOXES PER 35" X 45-1/2" WOODEN PALLET FOR LONG TERM STORAGE. STACKS LIMITED TO TWO LAYERS HIGH. SUBSEQUENT REFERENCE TO PALLET UNIT MEANS THE PALLET UNIT WITH BULK EXPLOSIVES.
- C. FOR DETAIL OF THE PALLET UNIT, REFER TO U.S. ARMY AMC DRAWING 19-48-4177/1-20PA1007, AND TO PAGE 3 OF THIS DRAWING.

PALLET UNIT

DIMENSIONS - - - 37" L X 45-3/4" W X 50" H
 GROSS WEIGHT - - (54 LB BOXES) - - 2,020 POUNDS (APPROX)
 EXPLOSIVE WEIGHT - - - 1,944 POUNDS (APPROX)
 GROSS WEIGHT - - (64 LB BOXES) - - 2,380 POUNDS (APPROX)
 EXPLOSIVE WEIGHT - - - 2,304 POUNDS (APPROX)
 CUBE - - - - - 49.0 CUBIC FEET (APPROX)

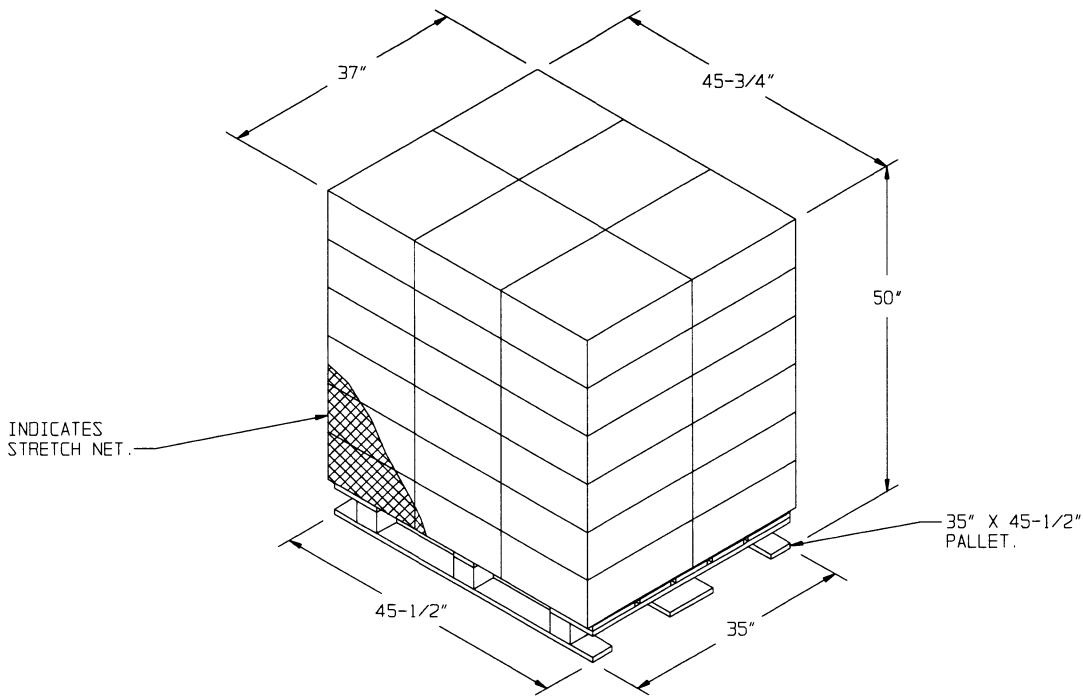
- D. THE QUANTITY OF PALLET UNITS SHOWN IN THE STORAGE VIEWS HEREIN ARE APPLICABLE TO UNITS WITH AN EXPLOSIVE WEIGHT OF 2,304 POUNDS (APPROX). THE "EXPLOSIVE LIMIT" FOR SOME TYPES AND SIZES OF MAGAZINES RESULT IN SOME UNUSED AREAS. WHEN STORING UNITS WITH AN EXPLOSIVE WEIGHT OF 1,944 POUNDS (APPROX), ADDITIONAL UNITS MAY BE STORED IN THE UNUSED AREAS SHOWN. HOWEVER, THE "EXPLOSIVE LIMIT" ESTABLISHED FOR THE SPECIFIC MAGAZINE TO BE USED IS NOT TO BE EXCEEDED.
- E. THE STORAGE PROCEDURES DEPICTED WITHIN THIS DOCUMENT ARE APPLICABLE FOR STORAGE IN VARIOUS TYPES AND SIZES OF MAGAZINES. THE STORAGE PROCEDURES DEPICTED FOR THE SPECIFIC TYPES OF MAGAZINES MAY ALSO BE UTILIZED TO STORE PALLET UNITS IN OTHER TYPES OF APPROVED MAGAZINES. MINOR ADJUSTMENTS MAY BE MADE TO FACILITATE STORAGE IN OTHER TYPES OF MAGAZINES, HOWEVER, THE BASIC PRINCIPLES AS DEPICTED HEREIN WILL BE FOLLOWED.
- F. CAUTION: THE ALLOWABLE "EXPLOSIVE LIMIT" ESTABLISHED FOR A MAGAZINE IS NOT TO BE EXCEEDED. THIS LIMITATION MAY REQUIRE A QUANTITY REDUCTION FROM THE STORAGE AS SHOWN. STORAGE OF SOME SPECIFIC TYPES OF BULK EXPLOSIVES MUST ALSO COMPLY WITH CURRENT DIRECTIVE AND REGULATORY REQUIREMENTS OTHER THAN AS SPECIFIED IN THIS DRAWING.
- G. STORED PALLET UNITS MUST NOT CONTACT THE WALLS OF A MAGAZINE. THEREFORE, UNITS WILL BE STORED A MINIMUM OF SIX INCHES (6") FROM THE SIDEWALL OR CURVATURE OF THE MAGAZINE AS APPLICABLE. TO PROVIDE FOR THIS MANDATORY CLEARANCE REQUIREMENT, UNITS MAY BE ELIMINATED FROM THE DEPICTED STORAGE PATTERN AS NECESSARY.
- H. AISLE DIMENSIONS SHOWN FOR STORAGE PROCEDURES IN MAGAZINES MAY BE ADJUSTED TO SUIT LOCAL CONDITIONS, VARIATIONS IN PALLET UNIT DIMENSIONS, AND/OR AVAILABLE MATERIALS HANDLING EQUIPMENT.
- J. THE MAXIMUM FLOOR LOAD FOR A MAGAZINE AS PRESCRIBED BY LOCAL STANDARDS WILL NOT BE EXCEEDED.
- K. IF AVAILABLE MHE PERMITS, ADDITIONAL PALLETIZED UNITS MAY BE STORED WITHIN THE MHE AREA AND/OR OTHER AVAILABLE AREA OF THE MAGAZINE. NOTE THAT IF THE EXPLOSIVE LIMIT OF THE MAGAZINE HAS BEEN MET, ADDITIONAL PALLET UNITS OF NON-EXPLOSIVE MATERIAL MAY BE STORED IN THE MHE AREA OR OTHER AVAILABLE AREA OF THE MAGAZINE.
- L. IF THE QUANTITY OF PALLET UNITS FOR A MAGAZINE IS TO BE REDUCED FROM WHAT IS SHOWN HEREIN DUE TO THE PERMITTED "EXPLOSIVE LIMIT" OR FOR ANY OTHER REASON, SUCH AS A LIMITED QUANTITY TO BE STORED, THE DELINEATED PROCEDURES ARE TO BE ADJUSTED BY OMITTING STACKS RATHER THAN BY OMITTING LAYERS.
- M. OTHER COMPATIBLE ITEMS MAY BE STORED IN A MAGAZINE WHICH IS PARTIALLY FILLED WITH THE DESIGNATED ITEM.

- N. PORTIONS OF THE MAGAZINES, SUCH AS SIDEWALLS, END WALLS, AND ROOFS, HAVE NOT BEEN SHOWN IN THE STORAGE VIEWS FOR CLARITY PURPOSES.
- O. STORAGE OF MULTIPLE LOTS IN A MAGAZINE WILL REQUIRE CAREFUL PRE-PLANNING SO AS TO INSURE MHE ACCESSIBILITY TO ANY LOT IN ACCORDANCE WITH REQUIREMENTS SET FORTH IN THE APPLICABLE "SPECIAL NOTES" SECTIONS OF THE MULTIPLE LOT STORAGE PROCEDURES TYPICALLY SHOWN ON PAGES 24 THRU 30.
- P. ANY "LIGHT" PALLET UNIT THAT DOES NOT CONTAIN A FULL QUANTITY OF BOXES WILL NOT BE BURIED IN STORAGE. IT MUST BE POSITIONED ADJACENT TO AN AISLE, PREFERABLY IN FRONT OF THE LOT.
- Q. CONVERSION TO METRIC EQUIVALENTS: DIMENSIONS WITHIN THIS DOCUMENT ARE EXPRESSED IN INCHES, AND WEIGHTS ARE EXPRESSED IN POUNDS. WHEN NECESSARY, THE METRIC EQUIVALENT MAY BE COMPUTED ON THE BASIS OF ONE INCH EQUALS 25.4 MM, AND ONE POUND EQUALS 0.454 KG.
- R. PALLET UNITS PRESENTLY STORED IN ACCORDANCE WITH A PRIOR APPROVED DRAWING NEED NOT BE RE-STORED SOLELY TO CONFORM TO THE PROCEDURES SPECIFIED IN THIS DOCUMENT. HOWEVER, ANY CURRENTLY STORED UNITS CONTAINING CRUSHED BOXES MUST BE RE-STORED AND PLACED IN THE SECOND LAYER, IF TO BE STACKED, USING THE PROCEDURES SPECIFIED IN THIS DRAWING.

(CONTINUED AT RIGHT)

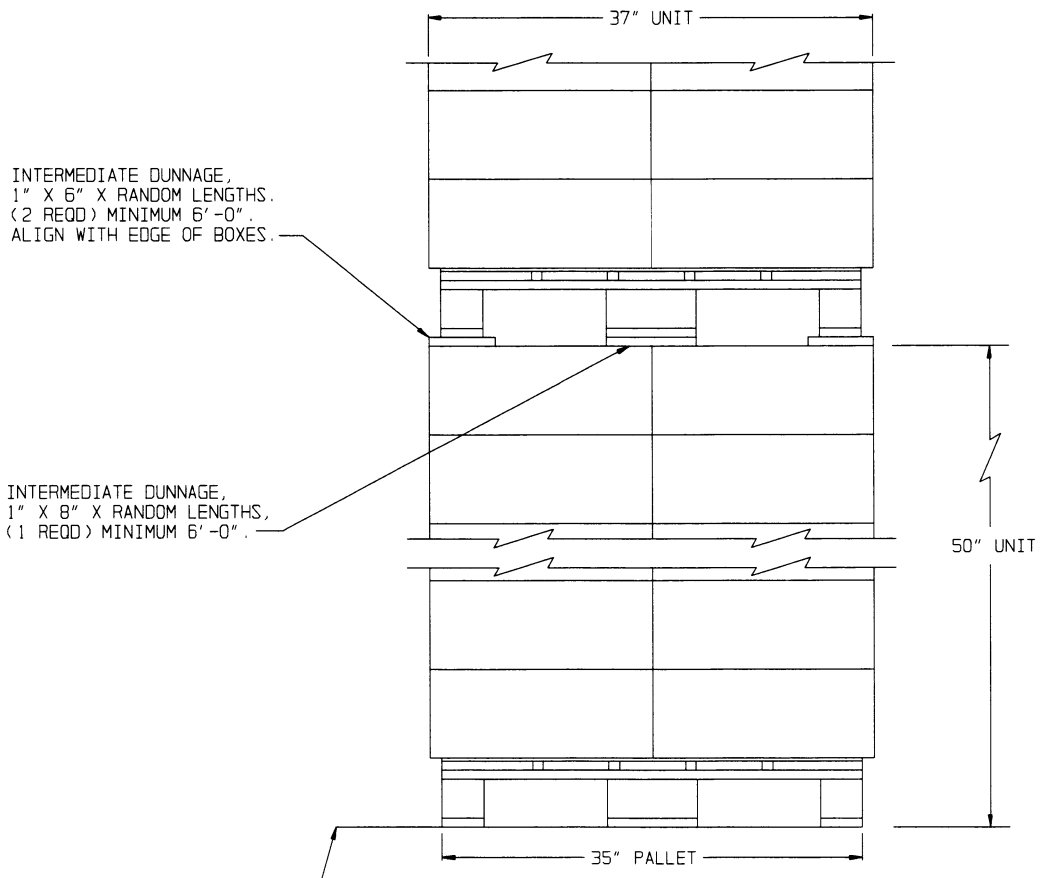
MATERIAL SPECIFICATIONS

LUMBER - - - FED SPEC MM-L-751; DUNNAGE LUMBER, SEE TM 743-200-1.



PALLET UNIT DETAIL

SEE GENERAL NOTES "C" AND "D" ON PAGE 2.



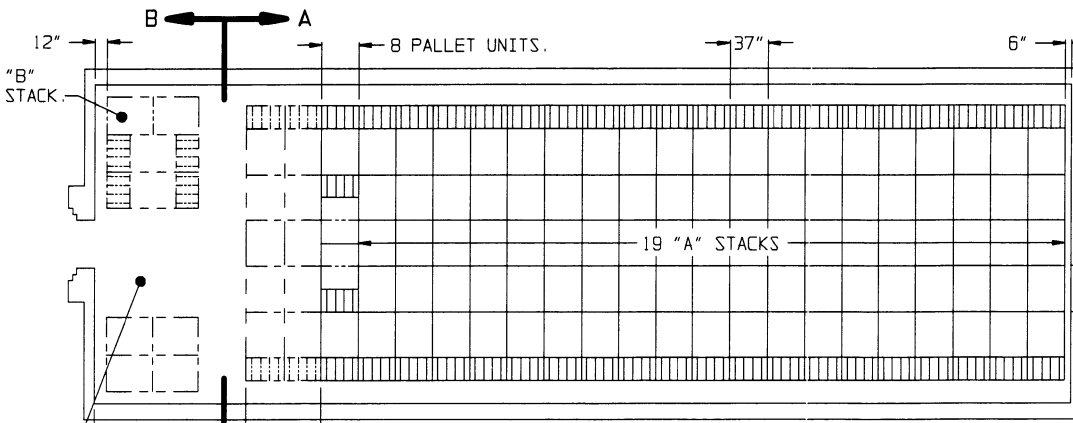
PLACEMENT OF DUNNAGE DETAIL

NOTE: DUNNAGE TO EXTEND THE FULL LENGTH OF FIRST LAYER UNITS IN A STACK. JOINTS BETWEEN BOARDS WITHIN EACH ROW OF DUNNAGE WILL BE STAGGERED FROM JOINTS IN THE OTHER ROWS IN THE STACK.

DETAILS

STORAGE IN 81'-0" IGLOO

(12'-9" HIGH)



ITEM	QUANTITY
PALLET UNITS	217
EXPLOSIVE WEIGHT	499,968 LBS (APPROX)
SEE "NOTE" BELOW.	

PLAN VIEW

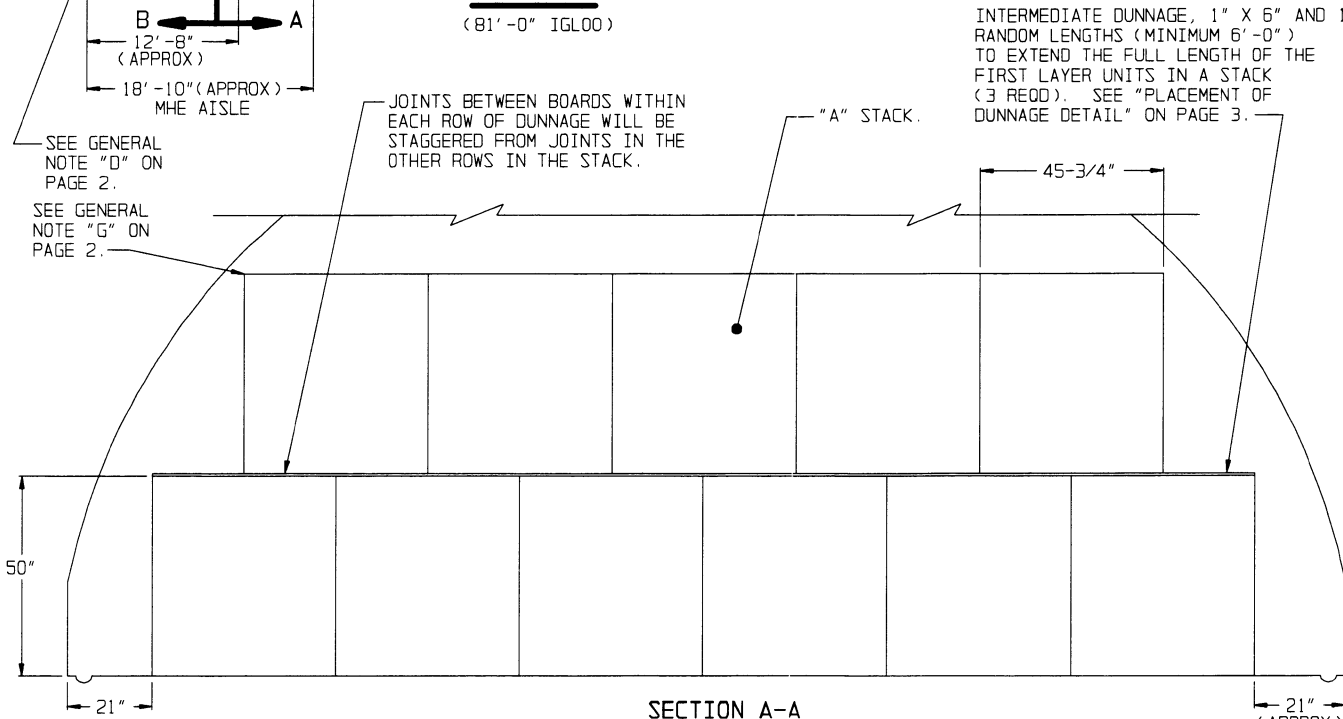
(81'-0" IGLOO)

INTERMEDIATE DUNNAGE, 1" X 6" AND 1" X 8" RANDOM LENGTHS (MINIMUM 6'-0") TO EXTEND THE FULL LENGTH OF THE FIRST LAYER UNITS IN A STACK (3 REED). SEE "PLACEMENT OF DUNNAGE DETAIL" ON PAGE 3.

JOINTS BETWEEN BOARDS WITHIN EACH ROW OF DUNNAGE WILL BE STAGGERED FROM JOINTS IN THE OTHER ROWS IN THE STACK.

SEE GENERAL NOTE "D" ON PAGE 2.

SEE GENERAL NOTE "G" ON PAGE 2.

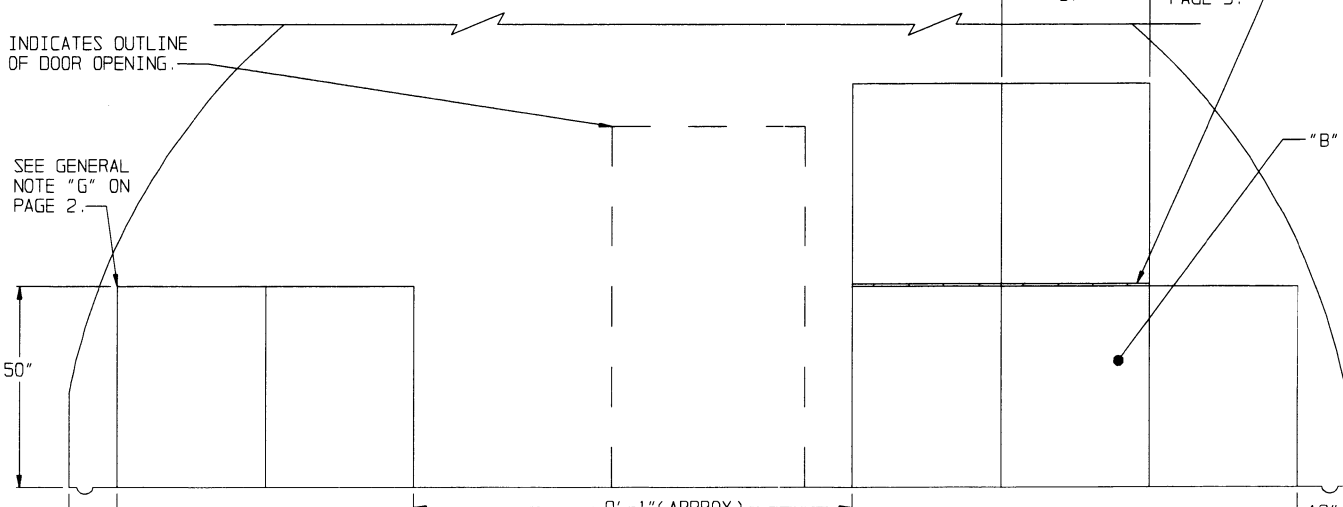


SECTION A-A

("A" STACK, 11 PALLET UNITS)

NOTE:
IF UNITS BEING STORED IN AN 81'-0" IGLOO MAGAZINE HAVE AN EXPLOSIVE WEIGHT OF 1,944 LBS PER UNIT, STORAGE CAN CONSIST OF 22 FULL "A" STACKS PLUS 12 UNITS IN THE FRONTAL AREA AS SHOWN IN SECTION B-B AND BY DOTTED LINES IN THE PLAN VIEW A TOTAL OF 254 UNITS, EXPLOSIVE WEIGHT 493,776 LBS (APPROX).

INTERMEDIATE DUNNAGE TO EXTEND THE FULL LENGTH OF FIRST LAYER UNITS. SEE "PLACEMENT OF DUNNAGE DETAIL" ON PAGE 3.



SECTION B-B

STORAGE PROCEDURES IN 81'-0", 60'-8", AND 40'-4" L X 26'-6" W X 12'-9" H IGLOO MAGAZINES

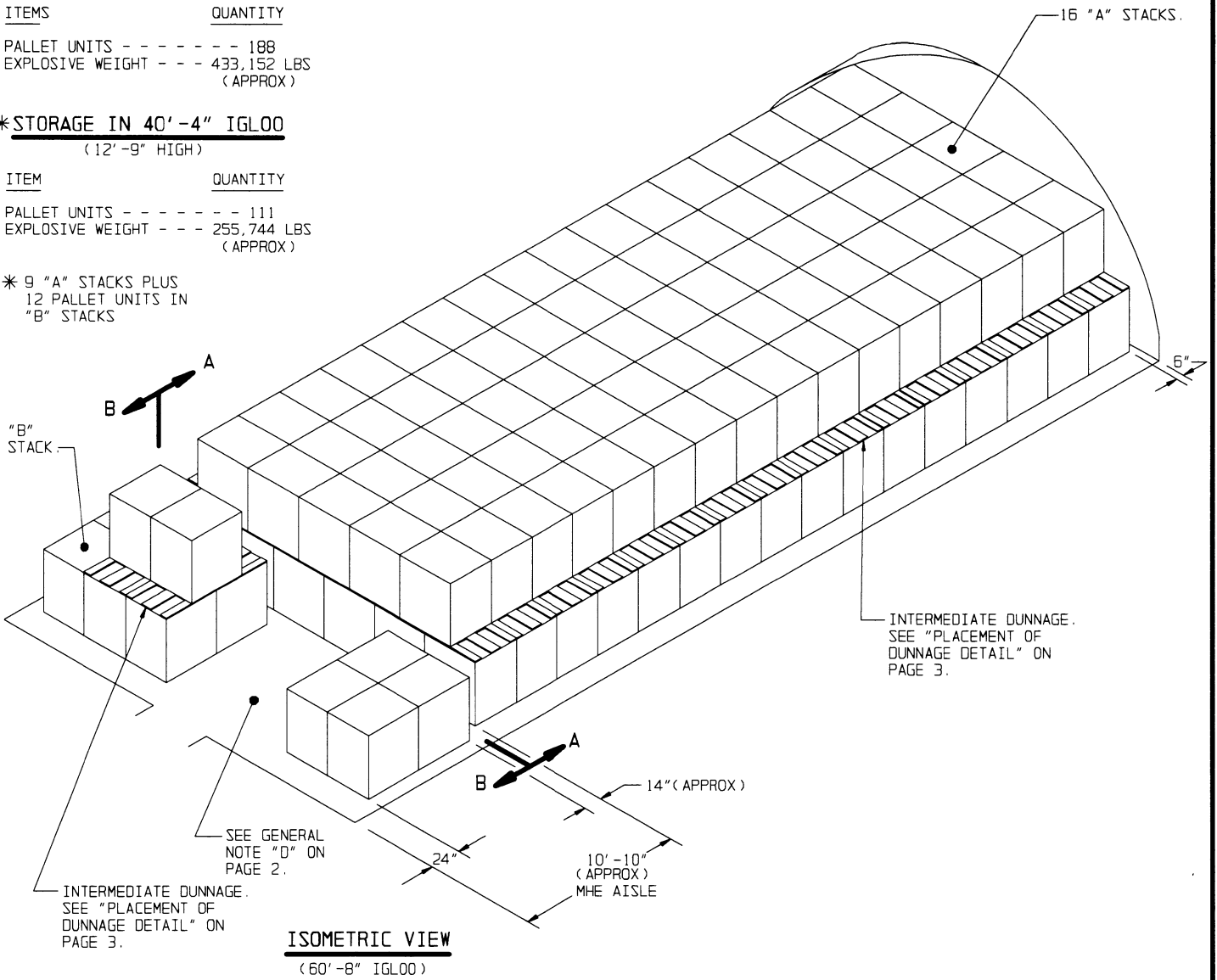
STORAGE IN 60'-8" IGL00
(12'-9" HIGH)

ITEMS	QUANTITY
PALLET UNITS - - - - -	188
EXPLOSIVE WEIGHT - - -	433,152 LBS (APPROX)

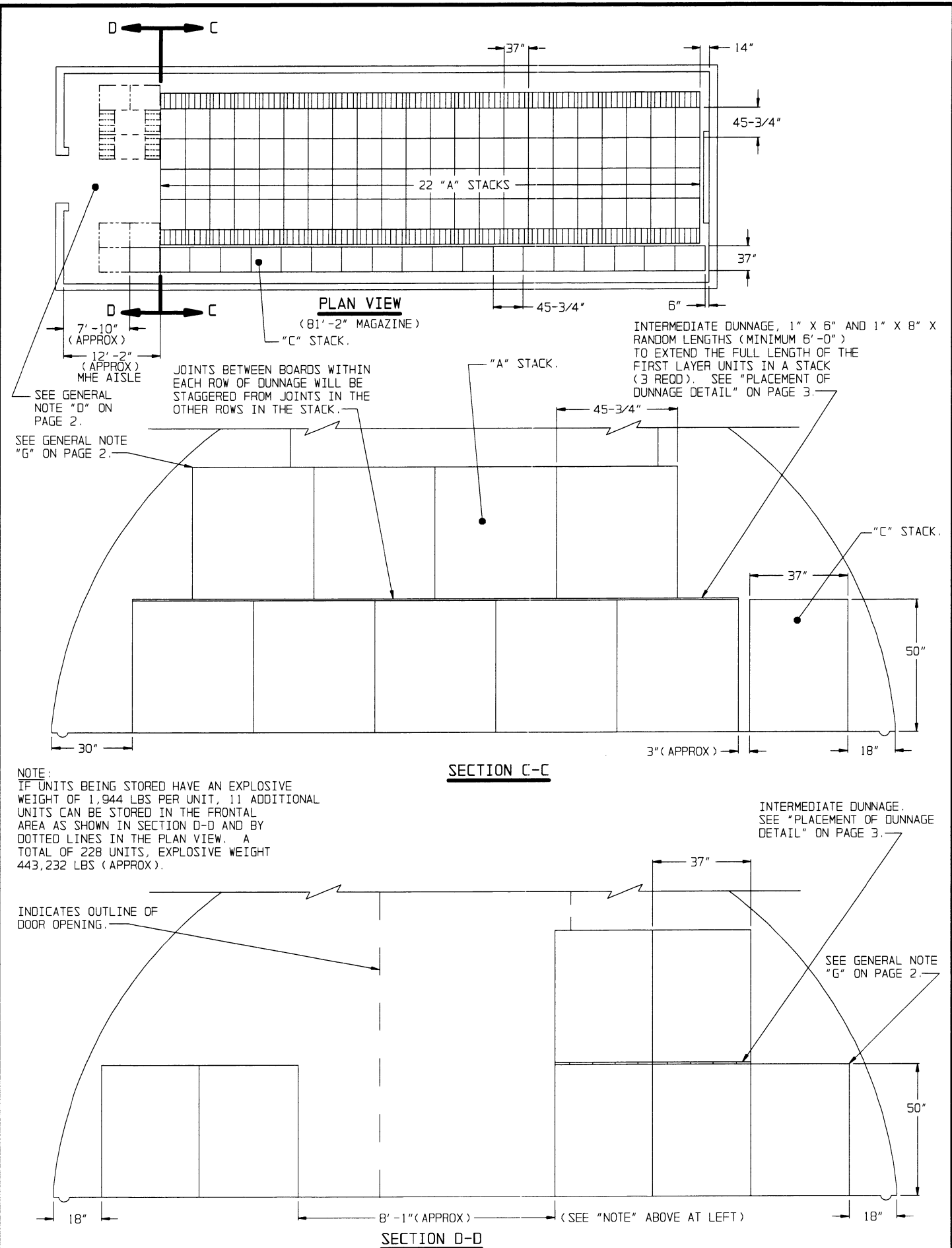
***STORAGE IN 40'-4" IGL00**
(12'-9" HIGH)

ITEM	QUANTITY
PALLET UNITS - - - - -	111
EXPLOSIVE WEIGHT - - -	255,744 LBS (APPROX)

* 9 "A" STACKS PLUS
12 PALLET UNITS IN
"B" STACKS



FOR "GENERAL NOTES" AND "MATERIAL SPECIFICATIONS", SEE PAGE 2.



SEE GENERAL NOTE "D" ON PAGE 2.

SEE GENERAL NOTE "G" ON PAGE 2.

NOTE:
 IF UNITS BEING STORED HAVE AN EXPLOSIVE WEIGHT OF 1,944 LBS PER UNIT, 11 ADDITIONAL UNITS CAN BE STORED IN THE FRONTAL AREA AS SHOWN IN SECTION D-D AND BY DOTTED LINES IN THE PLAN VIEW. A TOTAL OF 228 UNITS, EXPLOSIVE WEIGHT 443,232 LBS (APPROX).

INDICATES OUTLINE OF DOOR OPENING.

INTERMEDIATE DUNNAGE. SEE "PLACEMENT OF DUNNAGE DETAIL" ON PAGE 3.

SEE GENERAL NOTE "G" ON PAGE 2.

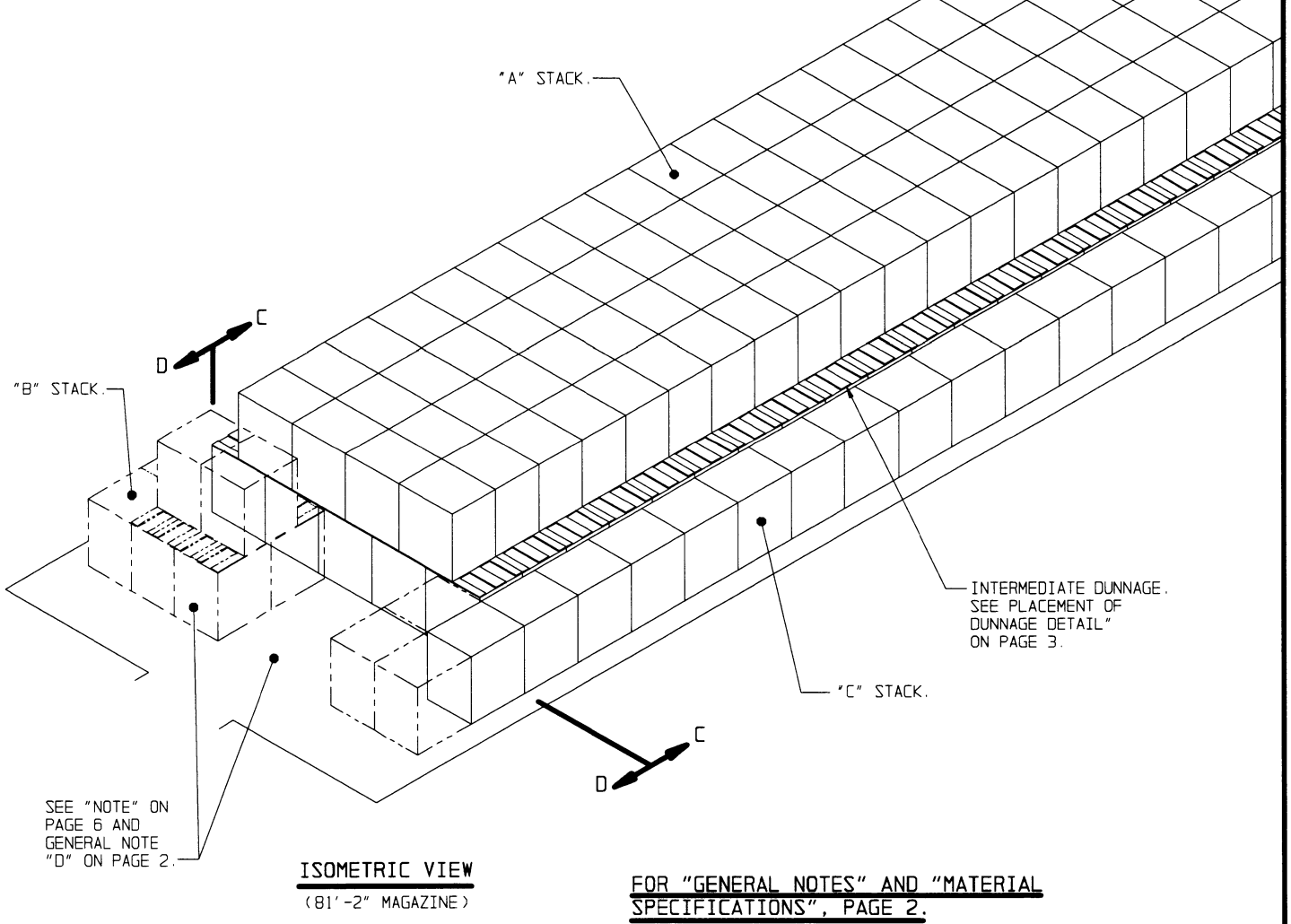
(SEE "NOTE" ABOVE AT LEFT)

STORAGE IN 81'-2" MAGAZINE

(12'-1-3/4" HIGH)

ITEM	QUANTITY
PALLET UNITS - - - - -	217
EXPLOSIVE WEIGHT - - -	499,968 LBS (APPROX)

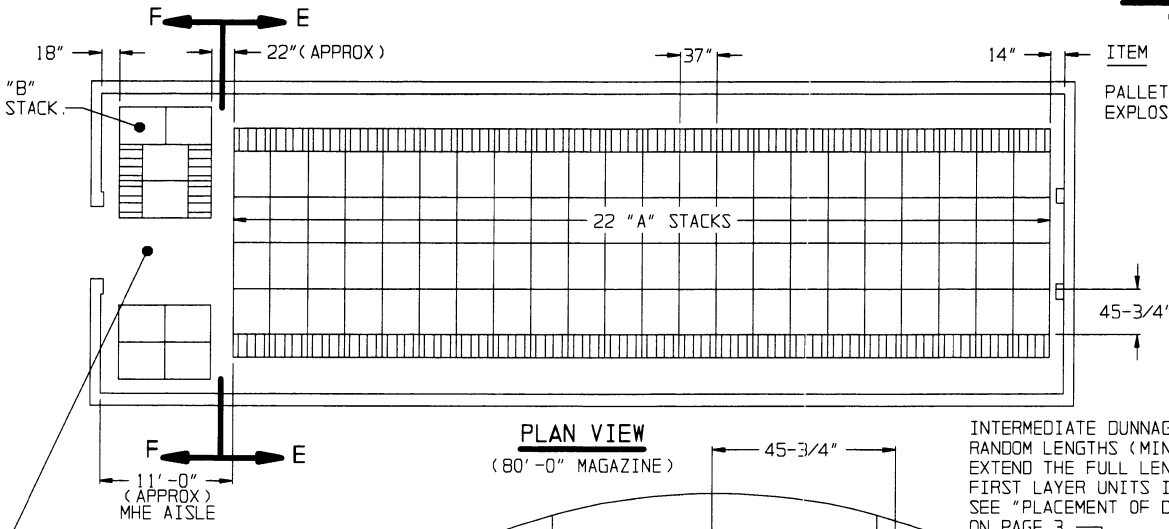
SEE "NOTE" ON PAGE 6.



ISOMETRIC VIEW
(81'-2" MAGAZINE)

FOR "GENERAL NOTES" AND "MATERIAL SPECIFICATIONS", PAGE 2.

STORAGE IN 80'-0" MAGAZINE
(12'-1-3/4" HIGH)

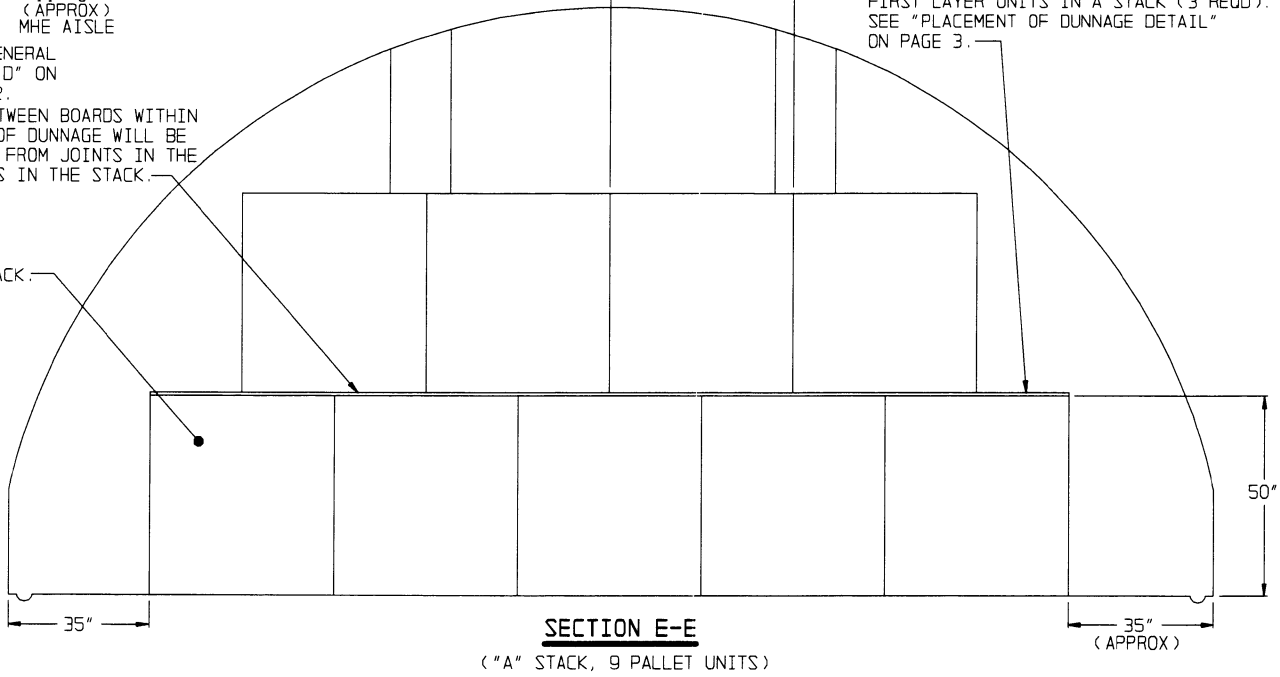


ITEM	QUANTITY
PALLET UNITS - - - -	210
EXPLOSIVE WEIGHT - - - -	483,840 LBS (APPROX)

INTERMEDIATE DUNNAGE, 1" X 6" AND 1" X 8" X RANDOM LENGTHS (MINIMUM 6'-0") TO EXTEND THE FULL LENGTH OF THE FIRST LAYER UNITS IN A STACK (3 REOD). SEE "PLACEMENT OF DUNNAGE DETAIL" ON PAGE 3.

SEE GENERAL NOTE "D" ON PAGE 2.
JOINTS BETWEEN BOARDS WITHIN EACH ROW OF DUNNAGE WILL BE STAGGERED FROM JOINTS IN THE OTHER ROWS IN THE STACK.

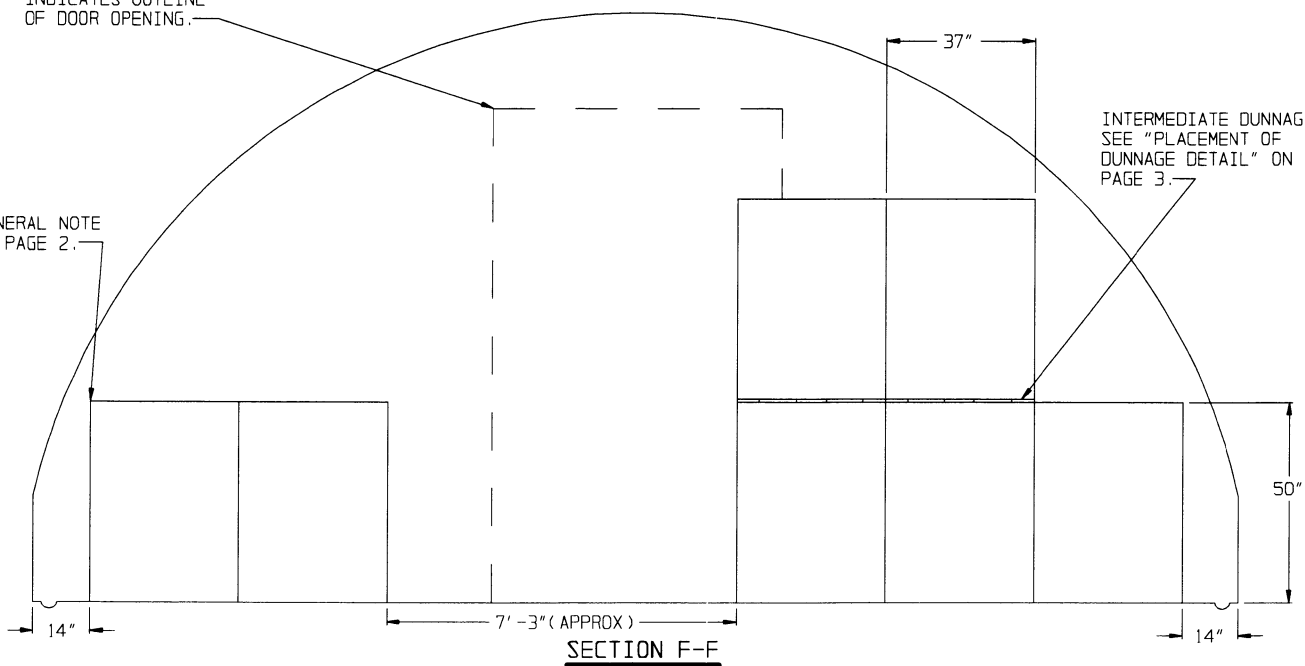
"A" STACK.



INDICATES OUTLINE OF DOOR OPENING.

SEE GENERAL NOTE "G" ON PAGE 2.

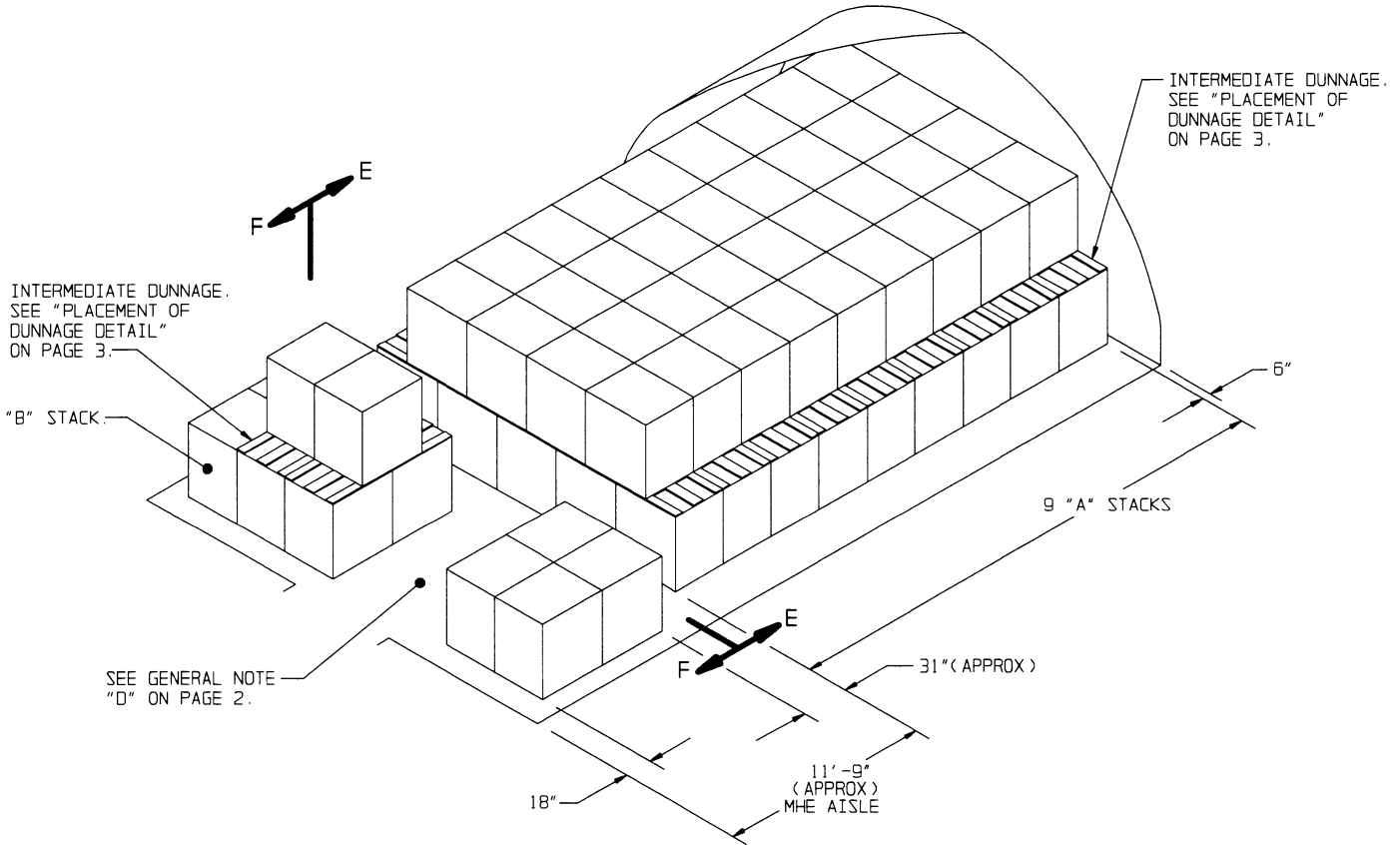
INTERMEDIATE DUNNAGE. SEE "PLACEMENT OF DUNNAGE DETAIL" ON PAGE 3.



STORAGE IN 40'-0" MAGAZINE

(12'-1-3/4" HIGH)

<u>ITEM</u>	<u>QUANTITY</u>
PALLET UNITS - - - - -	93
EXPLOSIVE WEIGHT - - -	214,272 LBS (APPROX)



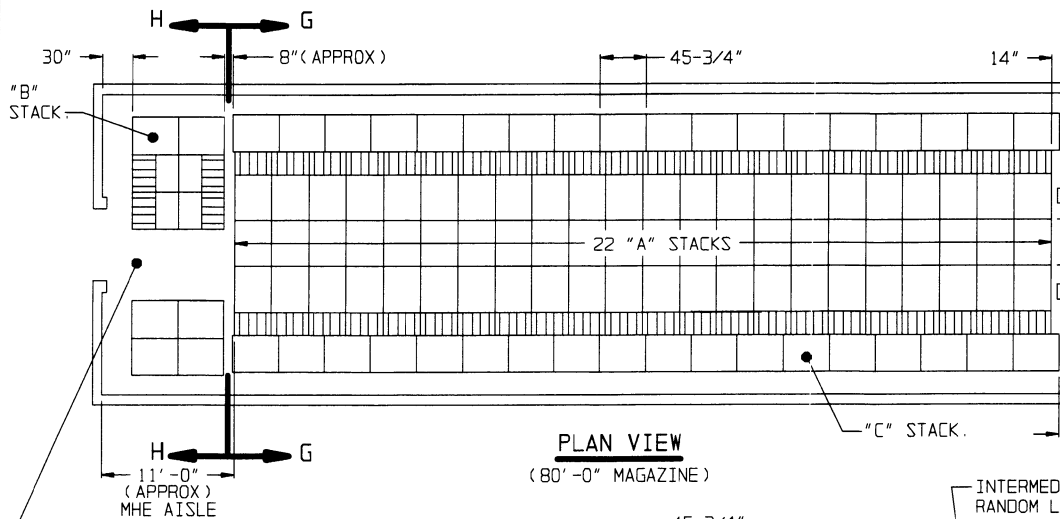
ISOMETRIC VIEW
(40'-0" MAGAZINE)

FOR "GENERAL NOTES" AND "MATERIAL SPECIFICATIONS", SEE PAGE 2.

STORAGE IN 80'-0" MAGAZINE

(11'-0" HIGH)

ITEM	QUANTITY
PALLET UNITS	202
EXPLOSIVE WEIGHT	465,408 LBS (APPROX)



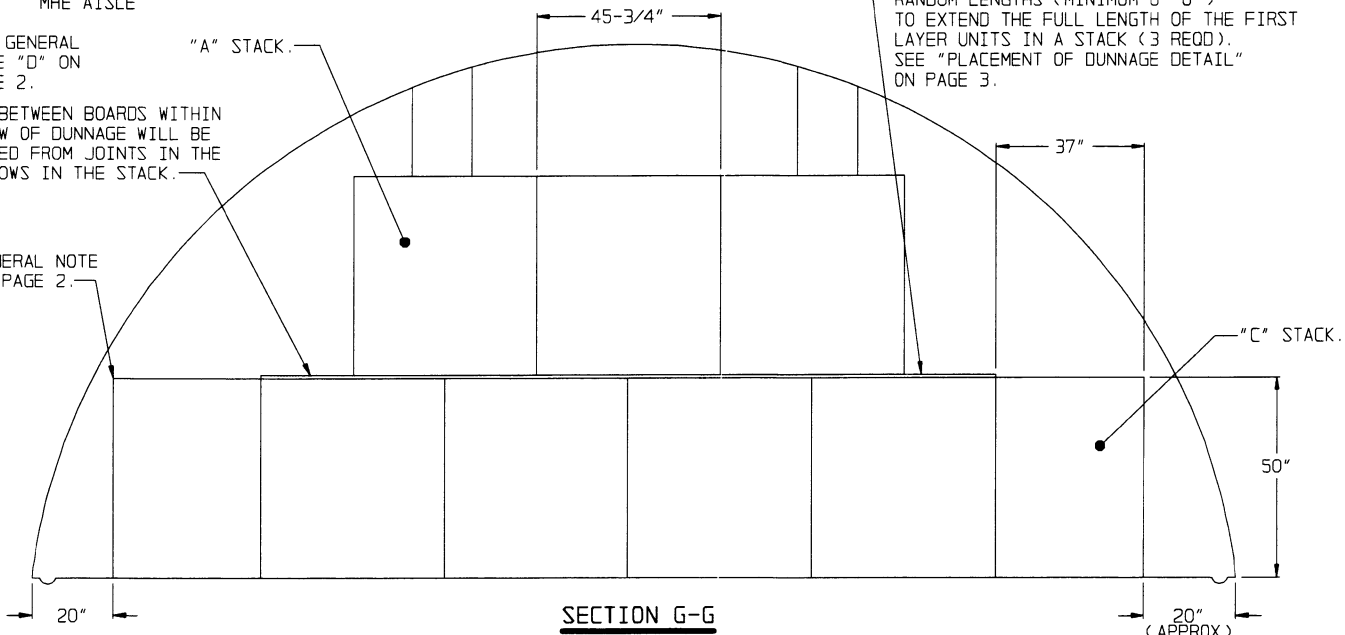
PLAN VIEW
(80'-0" MAGAZINE)

INTERMEDIATE DUNNAGE, 1" X 6" AND 1" X 8" X RANDOM LENGTHS (MINIMUM 5'-0") TO EXTEND THE FULL LENGTH OF THE FIRST LAYER UNITS IN A STACK (3 ROWS). SEE "PLACEMENT OF DUNNAGE DETAIL" ON PAGE 3.

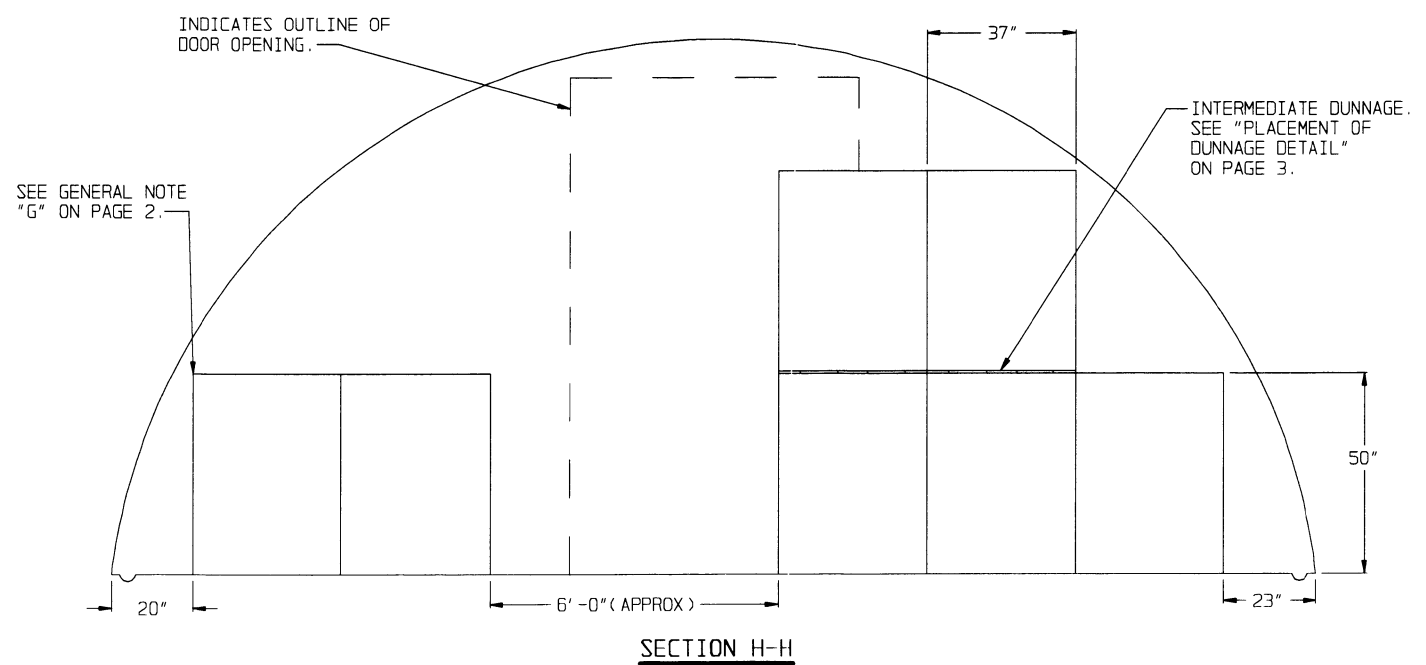
SEE GENERAL NOTE "D" ON PAGE 2.

JOINTS BETWEEN BOARDS WITHIN EACH ROW OF DUNNAGE WILL BE STAGGERED FROM JOINTS IN THE OTHER ROWS IN THE STACK.

SEE GENERAL NOTE "G" ON PAGE 2.



SECTION G-G

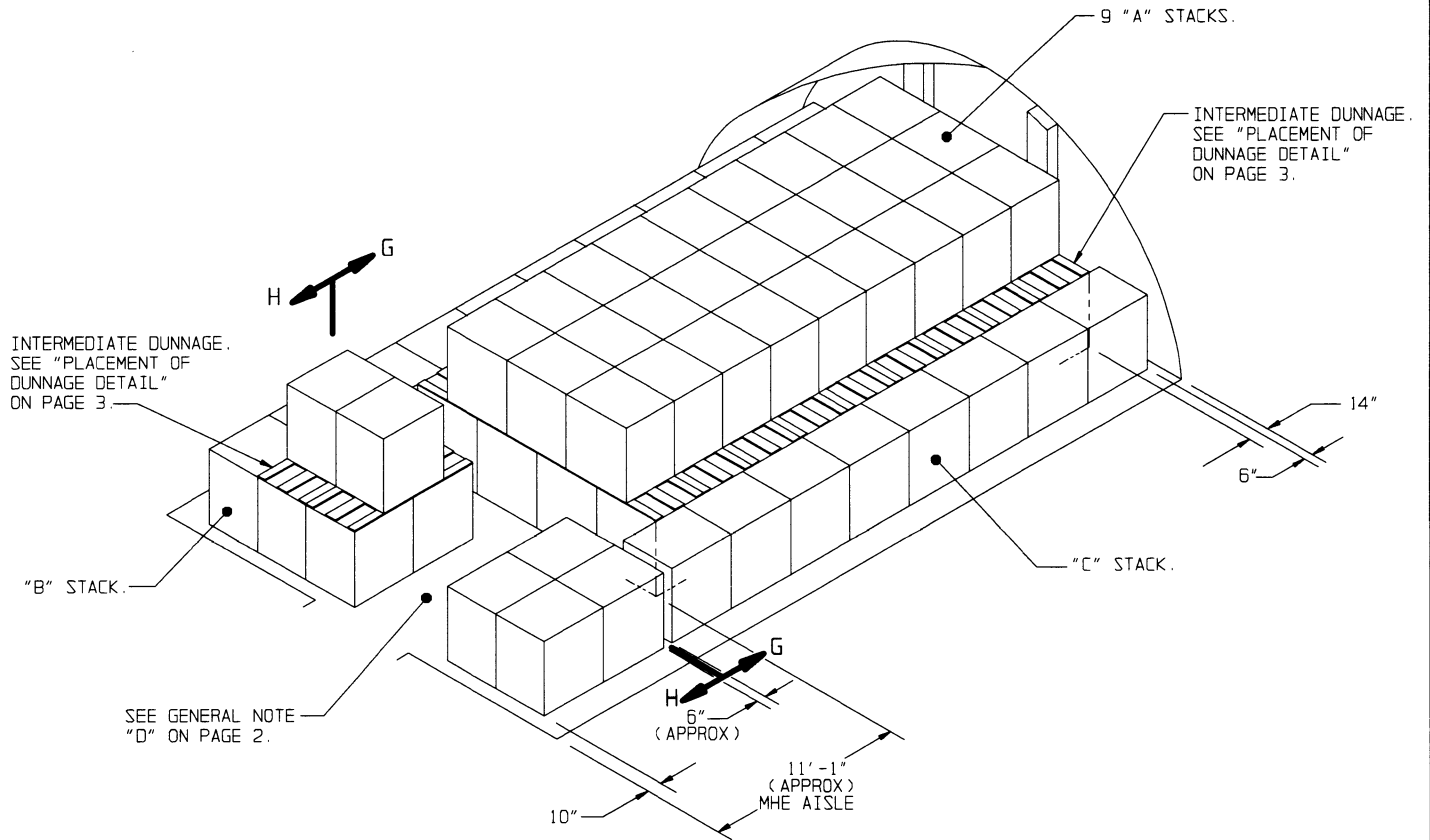


SECTION H-H

STORAGE IN 40'-0" MAGAZINE

(11'-0" HIGH)

ITEM	QUANTITY
PALLET UNITS - - - - -	91
EXPLOSIVE WEIGHT - - -	209,664 LBS (APPROX)

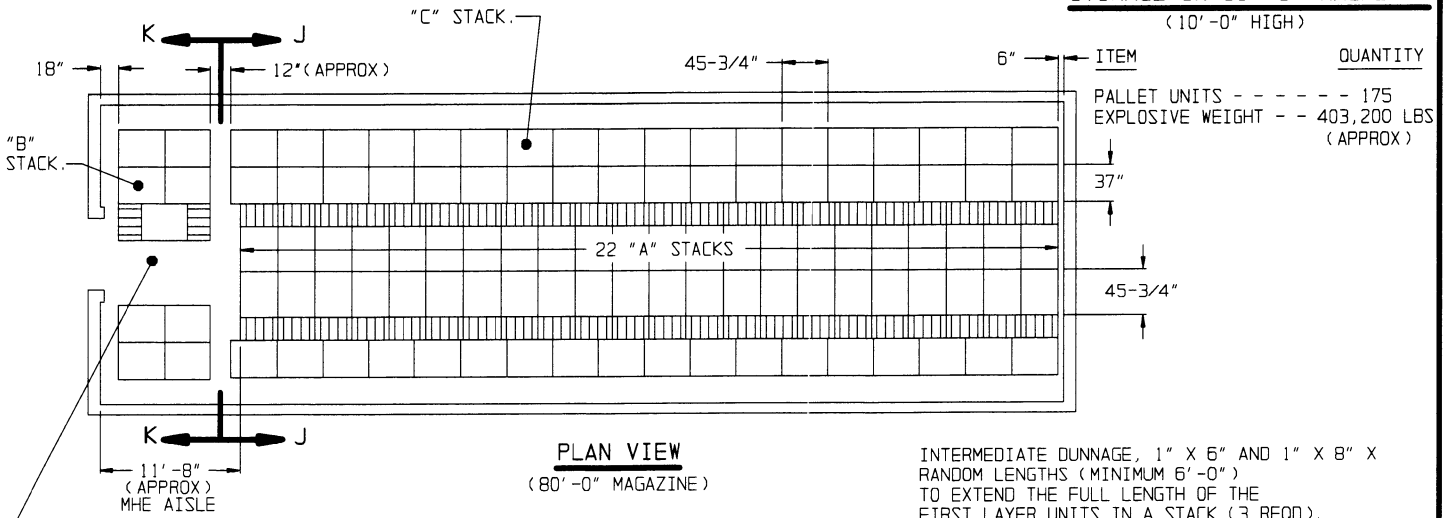


ISOMETRIC VIEW
(40'-0" MAGAZINE)

FOR "GENERAL NOTES" AND "MATERIAL SPECIFICATIONS", SEE PAGE 2.

STORAGE IN 80'-0" MAGAZINE

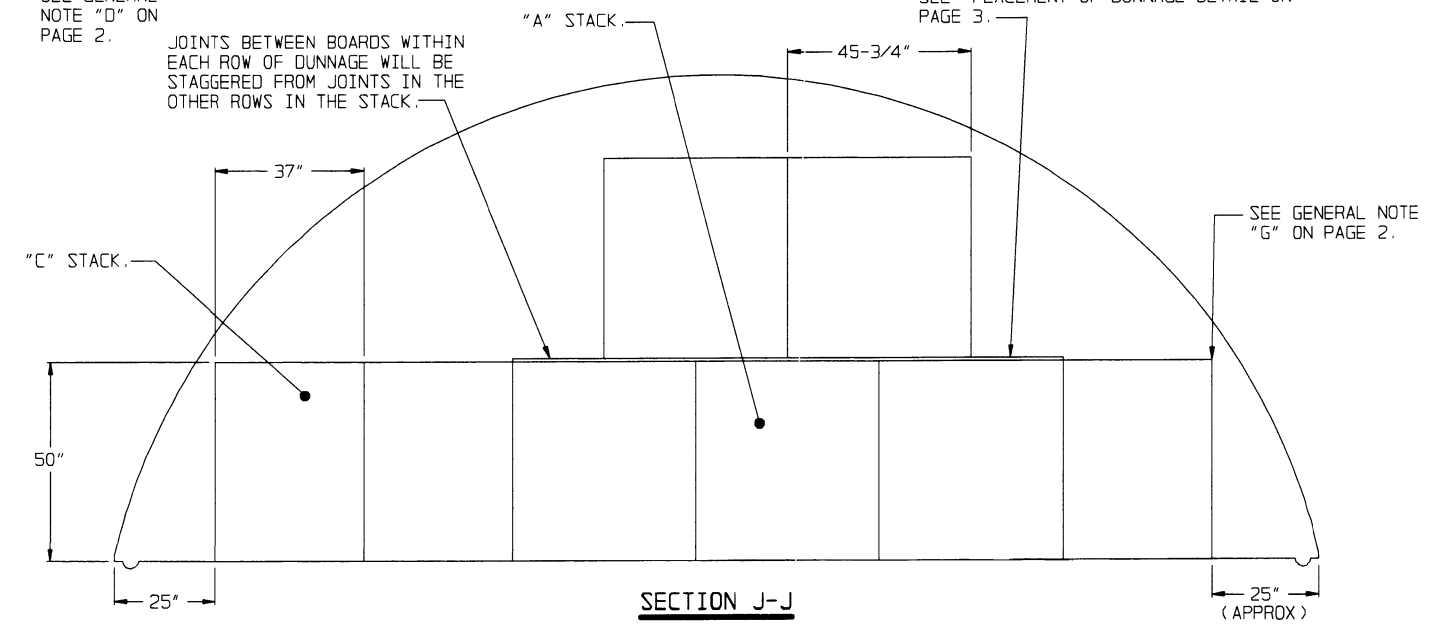
(10'-0" HIGH)



PLAN VIEW
(80'-0" MAGAZINE)

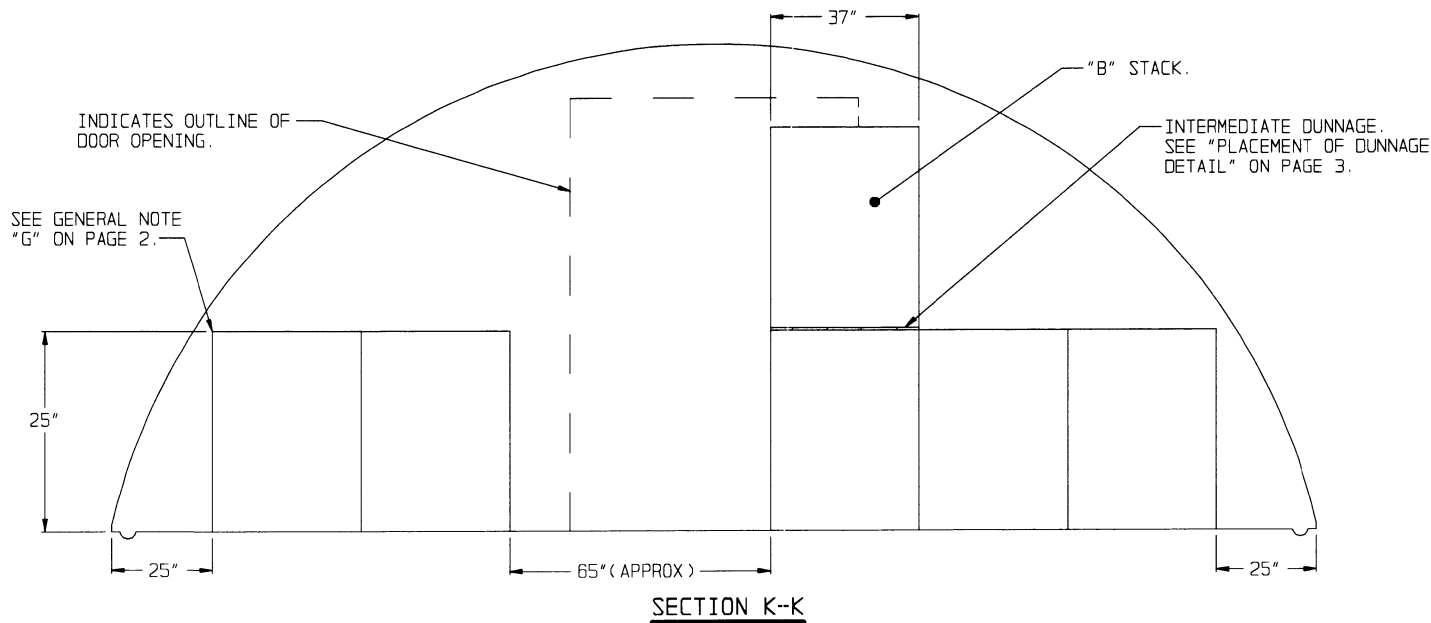
INTERMEDIATE DUNNAGE, 1" X 6" AND 1" X 8" X RANDOM LENGTHS (MINIMUM 6'-0") TO EXTEND THE FULL LENGTH OF THE FIRST LAYER UNITS IN A STACK (3 REOD). SEE "PLACEMENT OF DUNNAGE DETAIL ON PAGE 3."

SEE GENERAL NOTE "D" ON PAGE 2.
JOINTS BETWEEN BOARDS WITHIN EACH ROW OF DUNNAGE WILL BE STAGGERED FROM JOINTS IN THE OTHER ROWS IN THE STACK.



SECTION J-J

SEE GENERAL NOTE "G" ON PAGE 2.



SECTION K-K

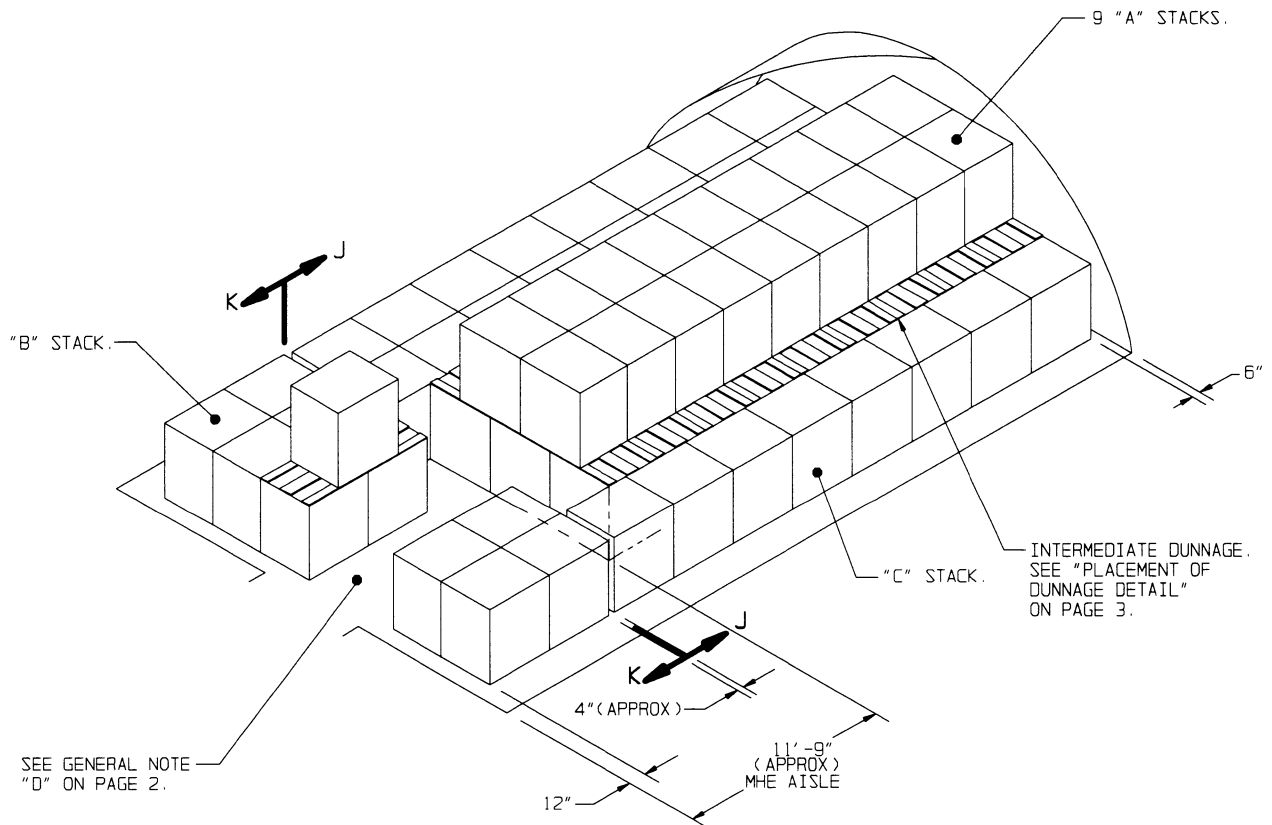
SEE GENERAL NOTE "G" ON PAGE 2.

INTERMEDIATE DUNNAGE. SEE "PLACEMENT OF DUNNAGE DETAIL" ON PAGE 3.

STORAGE IN 40'-0" MAGAZINE

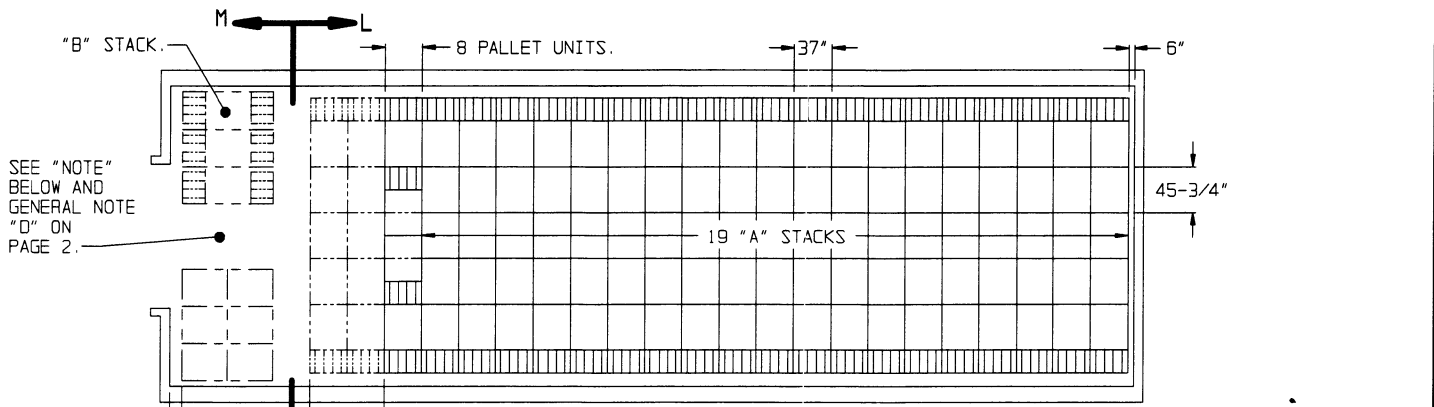
(10'-0" HIGH)

ITEM	QUANTITY
PALLET UNITS - - - - -	80
EXPLOSIVE WEIGHT - - -	184,320 LBS (APPROX)



ISOMETRIC VIEW
(40'-0" MAGAZINE)

FOR "GENERAL NOTES" AND "MATERIAL SPECIFICATIONS", SEE PAGE 2.



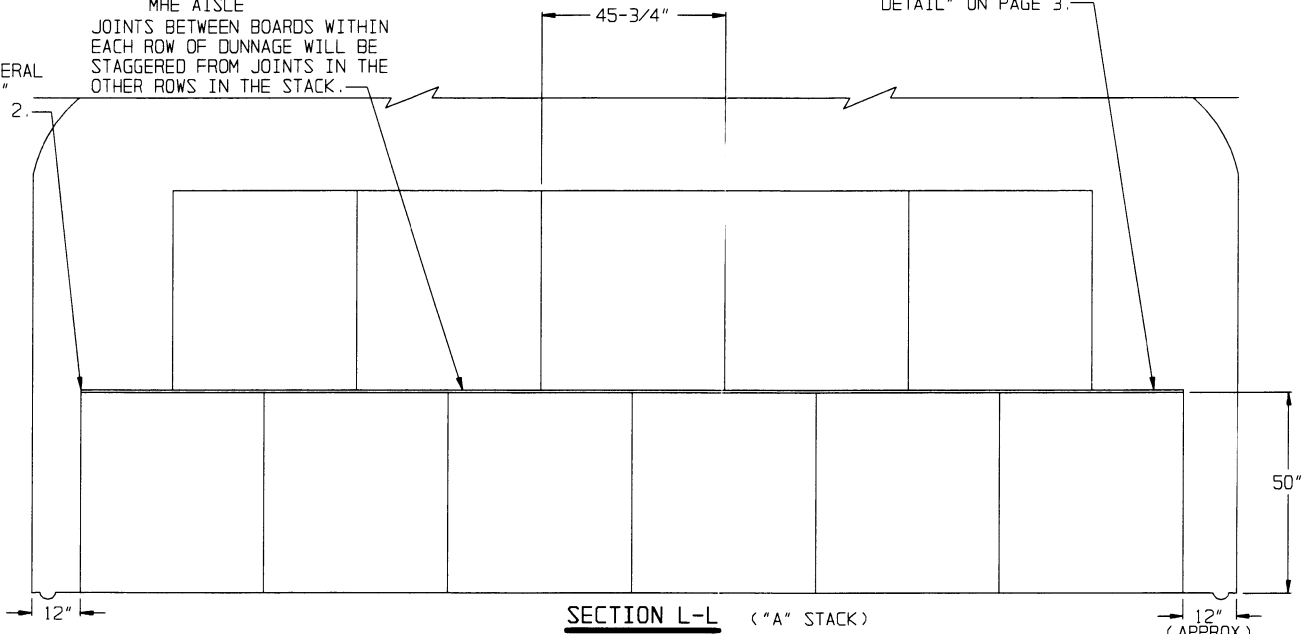
SEE "NOTE" BELOW AND GENERAL NOTE "D" ON PAGE 2.

PLAN VIEW
(80'-0" MAGAZINE)

INTERMEDIATE DUNNAGE, 1" X 6" AND 1" X 8" X RANDOM LENGTHS (MINIMUM 6'-0") TO EXTEND THE FULL LENGTH OF THE FIRST LAYER UNITS IN A STACK (3 REQD). SEE "PLACEMENT OF DUNNAGE DETAIL" ON PAGE 3.

SEE GENERAL NOTE "G" ON PAGE 2.

JOINTS BETWEEN BOARDS WITHIN EACH ROW OF DUNNAGE WILL BE STAGGERED FROM JOINTS IN THE OTHER ROWS IN THE STACK.



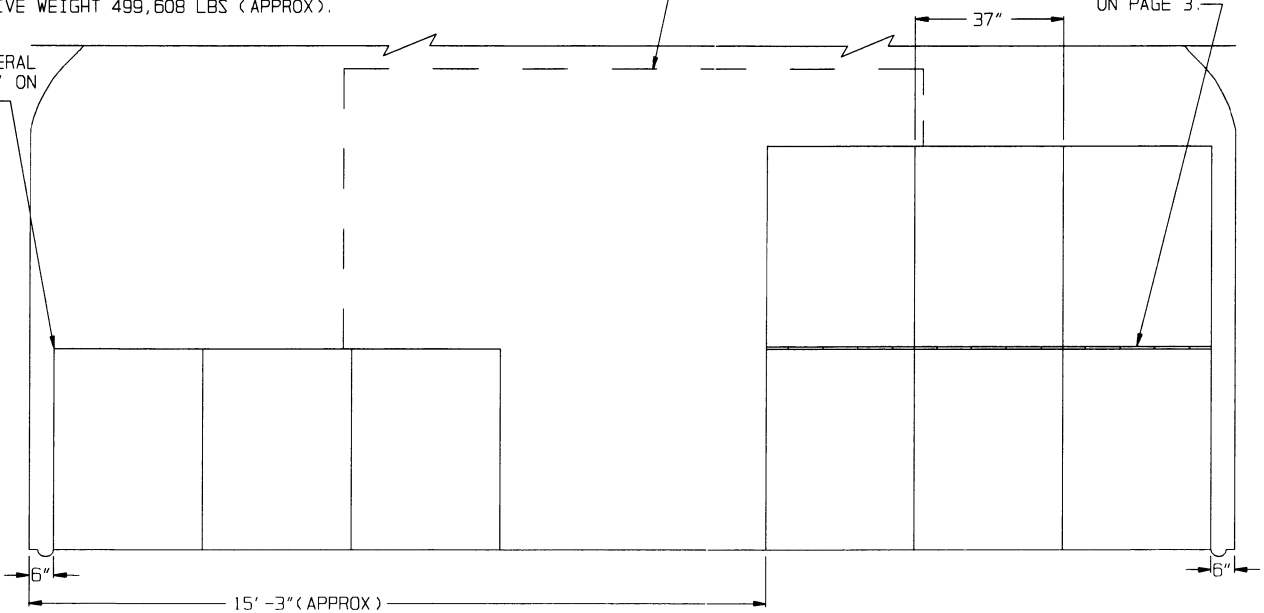
SECTION L-L ("A" STACK)

NOTE:
IF UNITS BEING STORED HAVE AN EXPLOSIVE WEIGHT OF 1,944 LBS PER UNIT, STORAGE CAN CONSIST OF 22 FULL "A" STACKS PLUS 15 UNITS IN THE FRONTAL AREA AS SHOWN IN SECTION M-M AND BY DOTTED LINES IN THE PLAN VIEW. A TOTAL OF 257 UNITS, EXPLOSIVE WEIGHT 499,608 LBS (APPROX).

INDICATES OUTLINE OF DOOR OPENING.

INTERMEDIATE DUNNAGE. SEE "PLACEMENT OF DUNNAGE DETAIL ON PAGE 3."

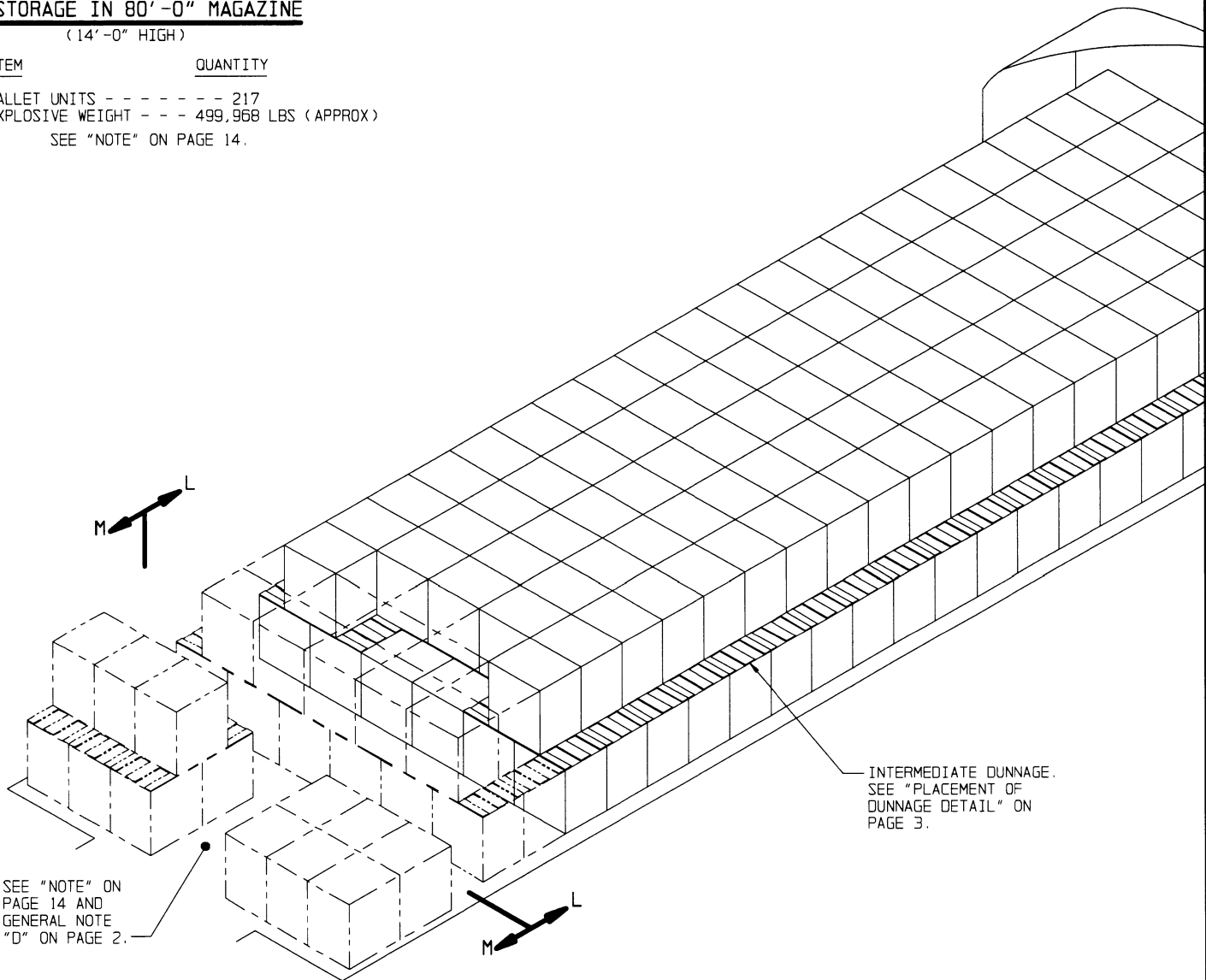
SEE GENERAL NOTE "G" ON PAGE 2.



SECTION M-M

STORAGE IN 80'-0" MAGAZINE
(14'-0" HIGH)

<u>ITEM</u>	<u>QUANTITY</u>
PALLET UNITS - - - - -	217
EXPLOSIVE WEIGHT - - -	499,968 LBS (APPROX)
SEE "NOTE" ON PAGE 14.	

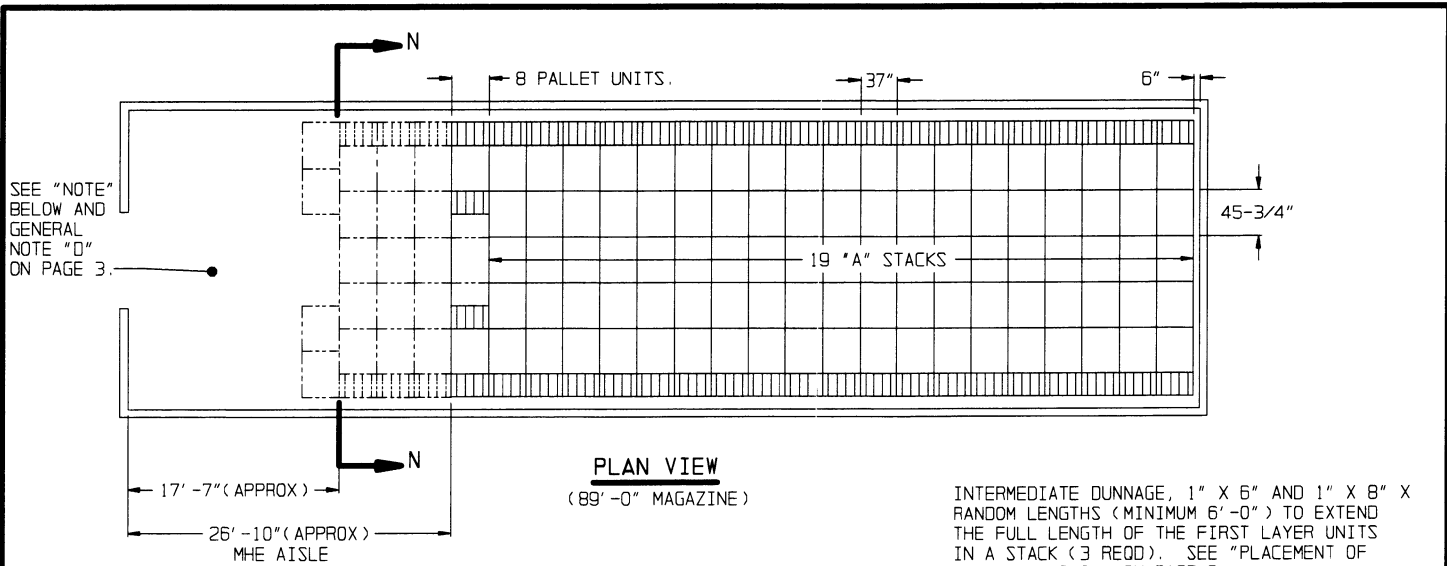


SEE "NOTE" ON PAGE 14 AND GENERAL NOTE "D" ON PAGE 2.

INTERMEDIATE DUNNAGE. SEE "PLACEMENT OF DUNNAGE DETAIL" ON PAGE 3.

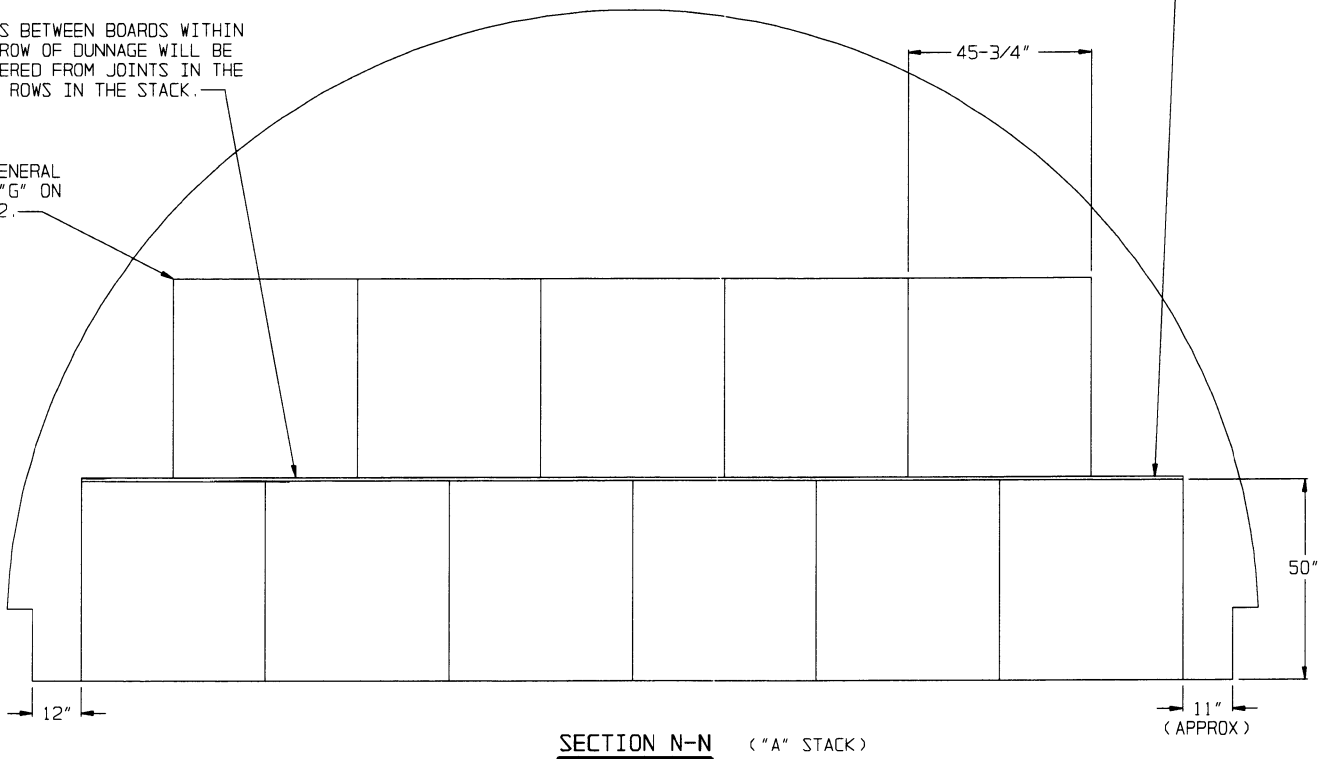
FOR "GENERAL NOTES" AND "MATERIAL SPECIFICATIONS", SEE PAGE 2.

ISOMETRIC VIEW
(80'-0" MAGAZINE)



JOINTS BETWEEN BOARDS WITHIN EACH ROW OF DUNNAGE WILL BE STAGGERED FROM JOINTS IN THE OTHER ROWS IN THE STACK.

SEE GENERAL NOTE "G" ON PAGE 2.

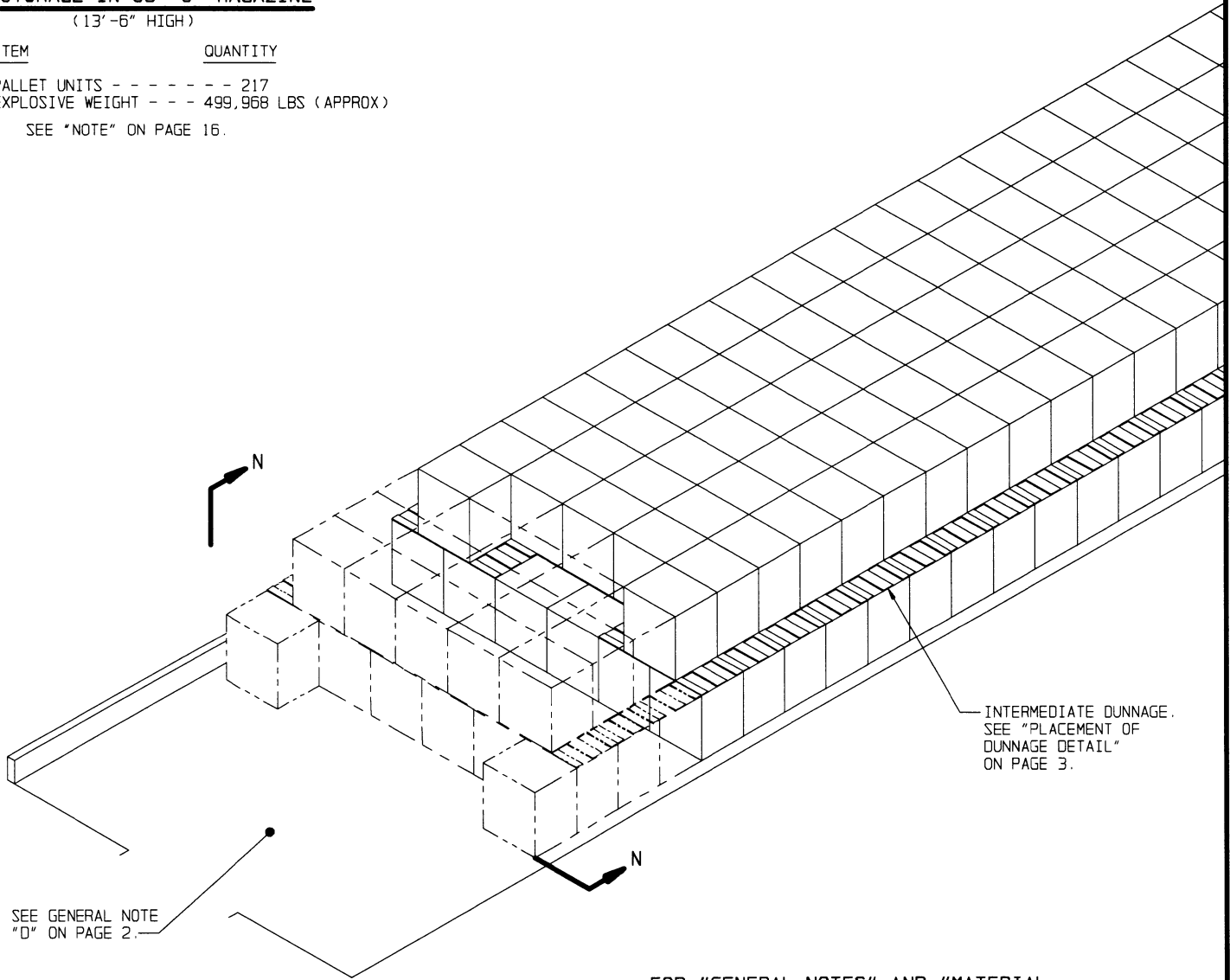


NOTE:
IF UNITS BEING STORED HAVE AN EXPLOSIVE WEIGHT OF 1,944 LBS PER UNIT STORAGE CAN CONSIST OF 23 FULL "A" STACKS PLUS 4 UNITS IN THE FRONTAL AREA AS SHOWN BY DOTTED LINES IN THE PLAN VIEW. A TOTAL OF 257 UNITS EXPLOSIVE WEIGHT 499,608 LBS (APPROX).

STORAGE IN 89'-0" MAGAZINE
(13'-6" HIGH)

<u>ITEM</u>	<u>QUANTITY</u>
PALLET UNITS - - - - -	217
EXPLOSIVE WEIGHT - - -	499,968 LBS (APPROX)

SEE "NOTE" ON PAGE 16.

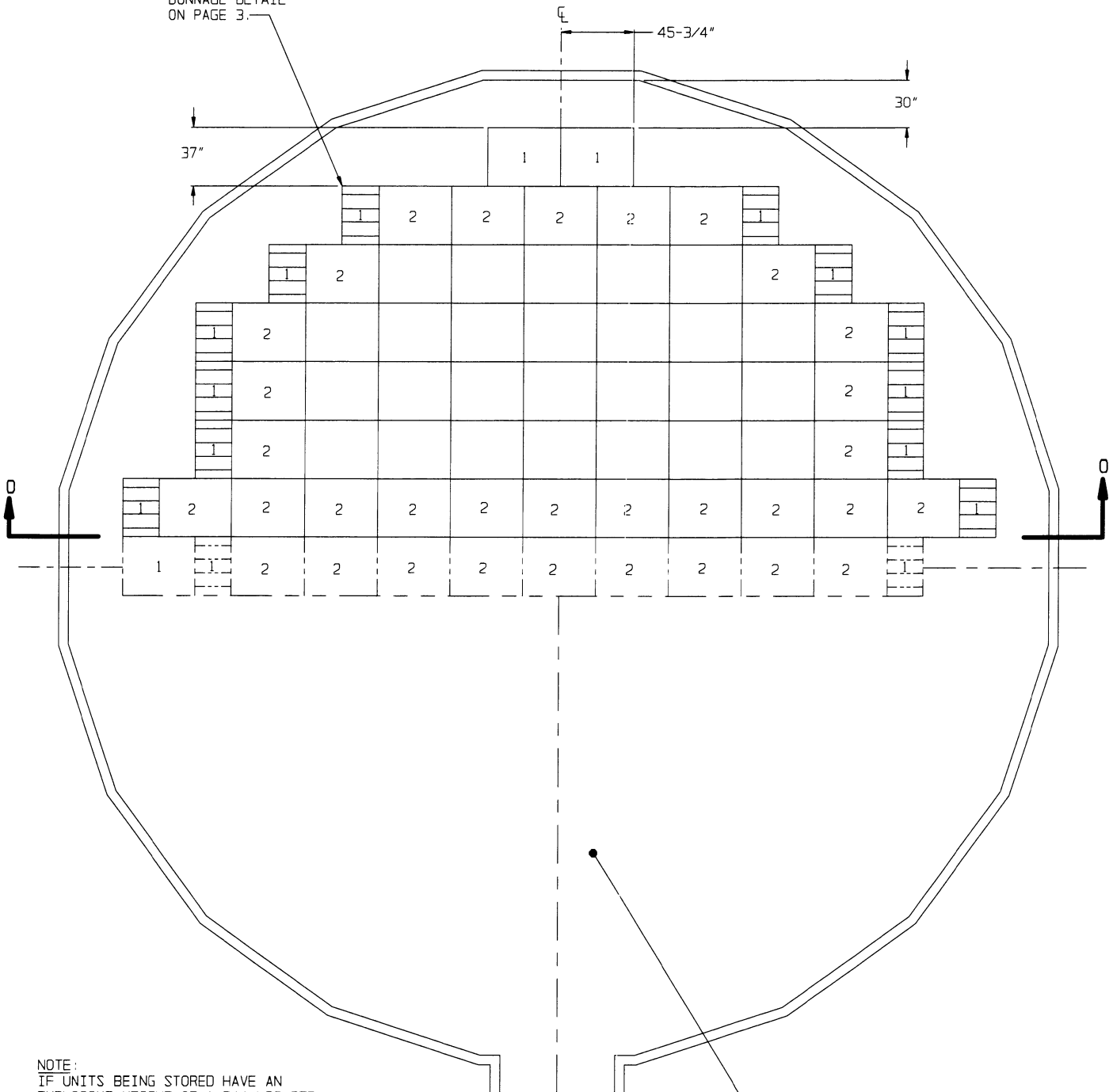


SEE GENERAL NOTE
"D" ON PAGE 2.

FOR "GENERAL NOTES" AND "MATERIAL SPECIFICATIONS" SEE PAGE 2.

ISOMETRIC VIEW
(89'-0" MAGAZINE)

INTERMEDIATE DUNNAGE.
SEE "PLACEMENT OF
DUNNAGE DETAIL"
ON PAGE 3.



NOTE:
IF UNITS BEING STORED HAVE AN
EXPLOSIVE WEIGHT OF 1,944 LBS PER
UNIT ADD AN ADDITIONAL 2 LAYER
STACK OF 20 UNITS AS SHOWN BY
DOTTED LINES IN THE PLAN VIEW.
A TOTAL OF 128 UNITS, EXPLOSIVE
WEIGHT 248,832 LBS (APPROX).

SEE "NOTE" AT LEFT AND
GENERAL NOTE "D" ON PAGE 2.

PLAN VIEW
(52'-0" DIA MAGAZINE)

STORAGE IN 52'-0" DIA MAGAZINE

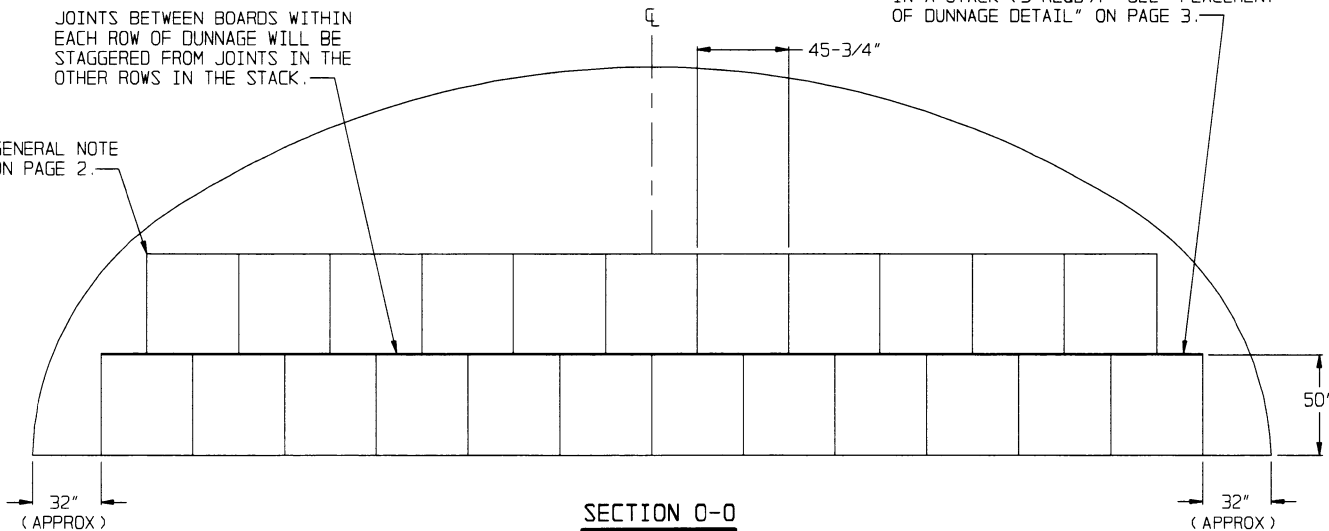
<u>ITEM</u>	<u>QUANTITY</u>
PALLET UNITS - - - - -	108
EXPLOSIVE WEIGHT - - -	248,832 LBS (APPROX)

SEE "NOTE" ON PAGE 18.

INTERMEDIATE DUNNAGE, 1" X 6" AND 1" X 8" X RANDOM LENGTHS (MINIMUM 6'-0") TO EXTEND THE FULL LENGTH OF THE FIRST LAYER UNITS IN A STACK (3 REED). SEE "PLACEMENT OF DUNNAGE DETAIL" ON PAGE 3.

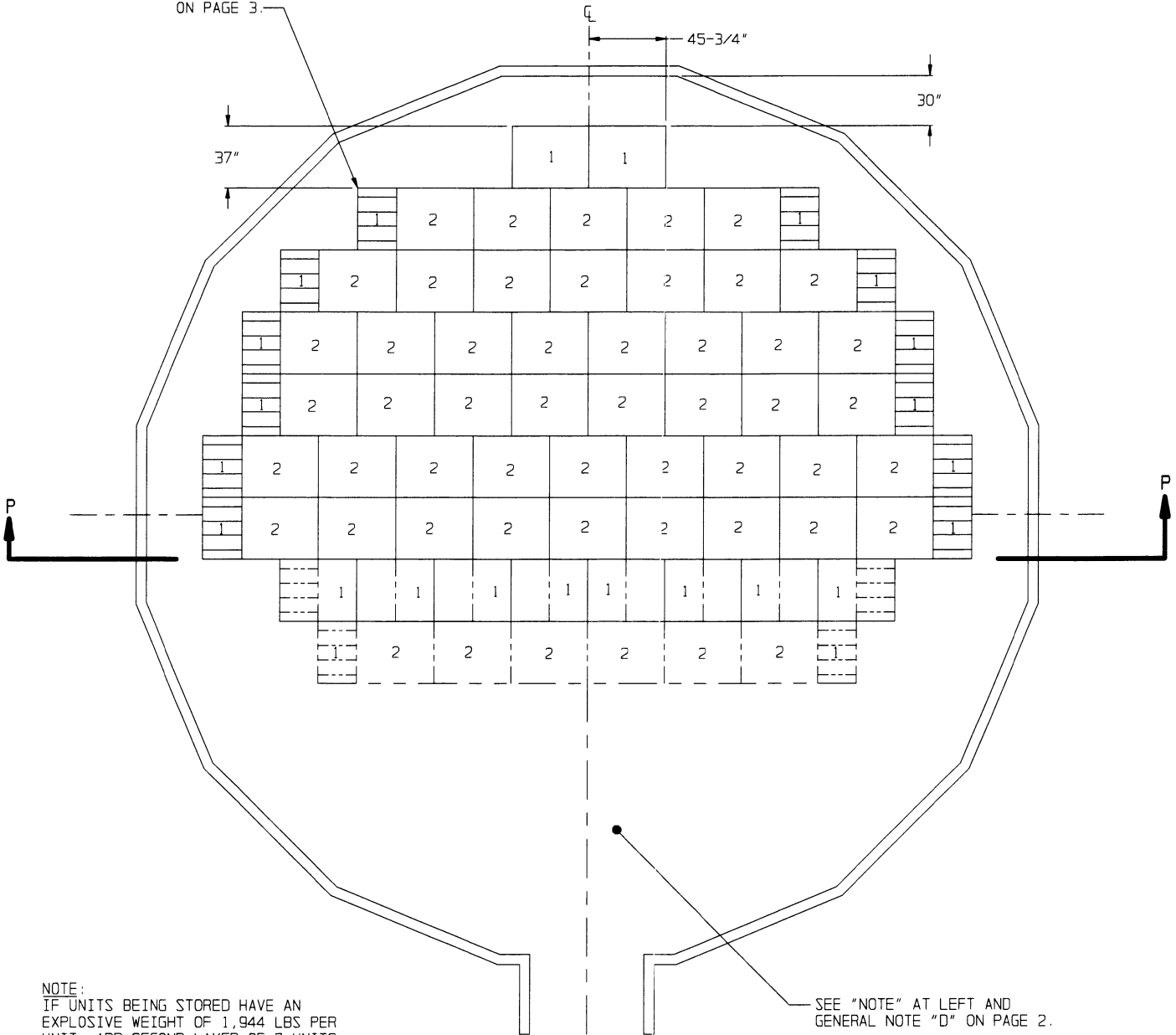
JOINTS BETWEEN BOARDS WITHIN EACH ROW OF DUNNAGE WILL BE STAGGERED FROM JOINTS IN THE OTHER ROWS IN THE STACK.

SEE GENERAL NOTE "G" ON PAGE 2.



FOR "GENERAL NOTES" AND "MATERIAL SPECIFICATIONS", SEE PAGE 2.

INTERMEDIATE DUNNAGE.
SEE "PLACEMENT OF
DUNNAGE DETAIL"
ON PAGE 3.



NOTE:
IF UNITS BEING STORED HAVE AN
EXPLOSIVE WEIGHT OF 1,944 LBS PER
UNIT, ADD SECOND LAYER OF 7 UNITS
TO FRONT STACK AND AN ADDITIONAL
2 LAYER STACK OF 13 UNITS AS SHOWN
BY DOTTED LINES IN THE PLAN VIEW.
A TOTAL OF 128 UNITS, EXPLOSIVE
WEIGHT 248,832 LBS (APPROX).

PLAN VIEW
(44'-7" DIA MAGAZINE)

STORAGE IN 44'-7" DIA MAGAZINE

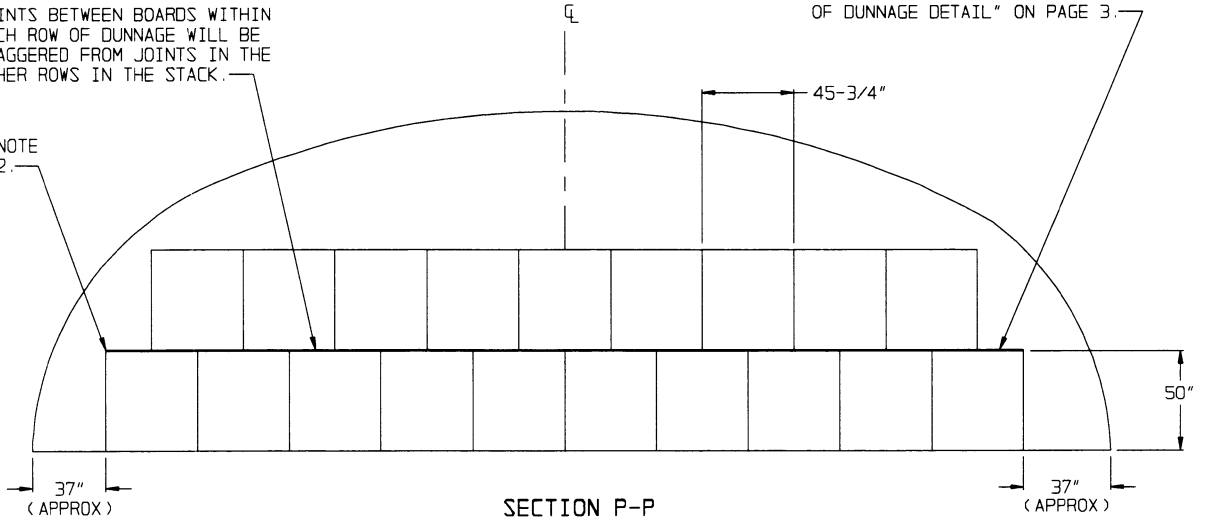
<u>ITEM</u>	<u>QUANTITY</u>
PALLET UNITS - - - - -	108
EXPLOSIVE WEIGHT - - -	248,832 LBS (APPROX)

SEE "NOTE" ON PAGE 20

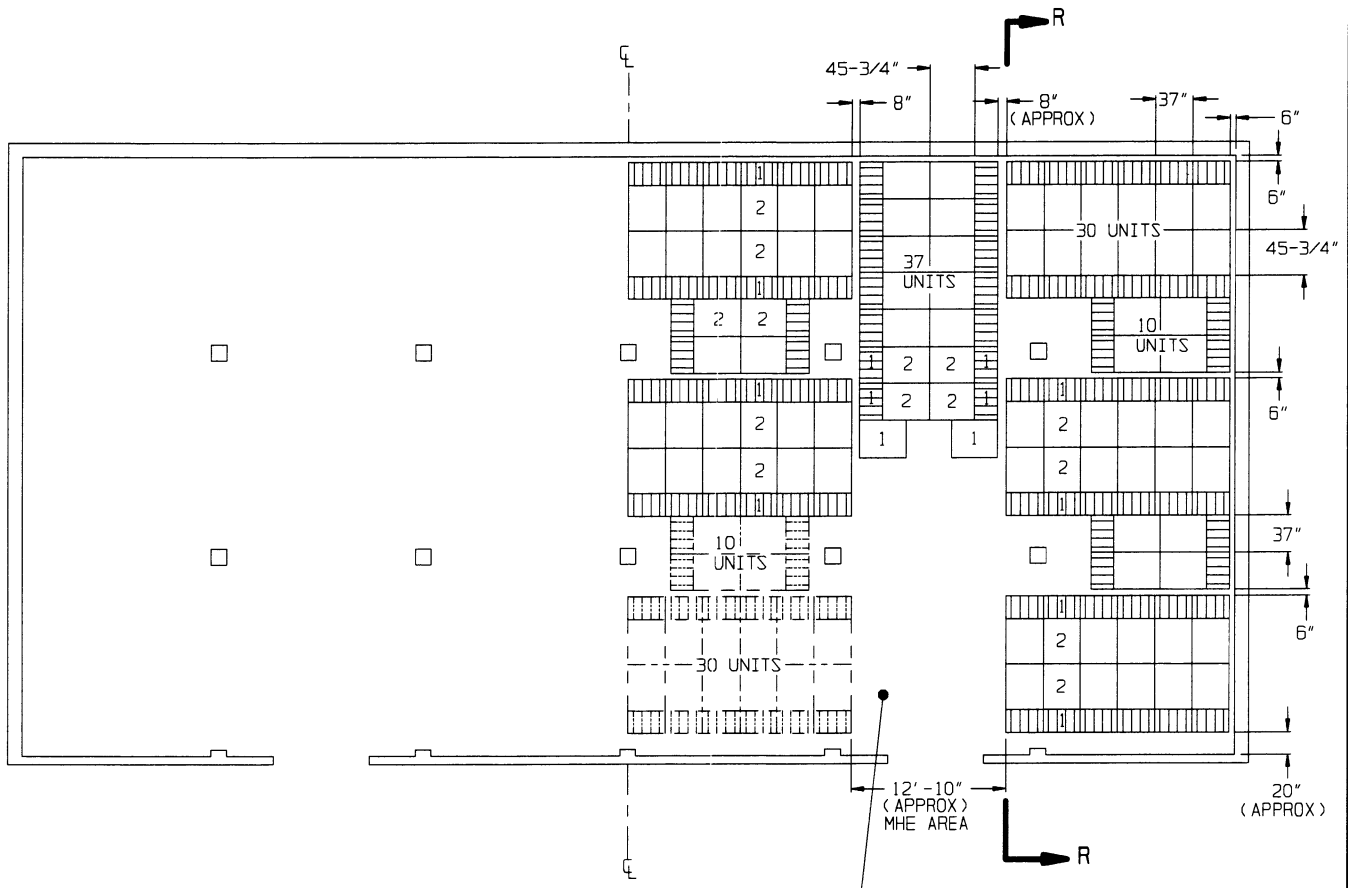
INTERMEDIATE DUNNAGE, 1" X 6" AND 1" X 8" X RANDOM LENGTHS (MINIMUM 6'-0") TO EXTEND THE FULL LENGTH OF THE FIRST LAYER UNITS IN A STACK (3 REED). SEE "PLACEMENT OF DUNNAGE DETAIL" ON PAGE 3.

JOINTS BETWEEN BOARDS WITHIN EACH ROW OF DUNNAGE WILL BE STAGGERED FROM JOINTS IN THE OTHER ROWS IN THE STACK.

SEE GENERAL NOTE "G" ON PAGE 2.



FOR "GENERAL NOTES" AND "MATERIAL SPECIFICATIONS", SEE PAGE 2.

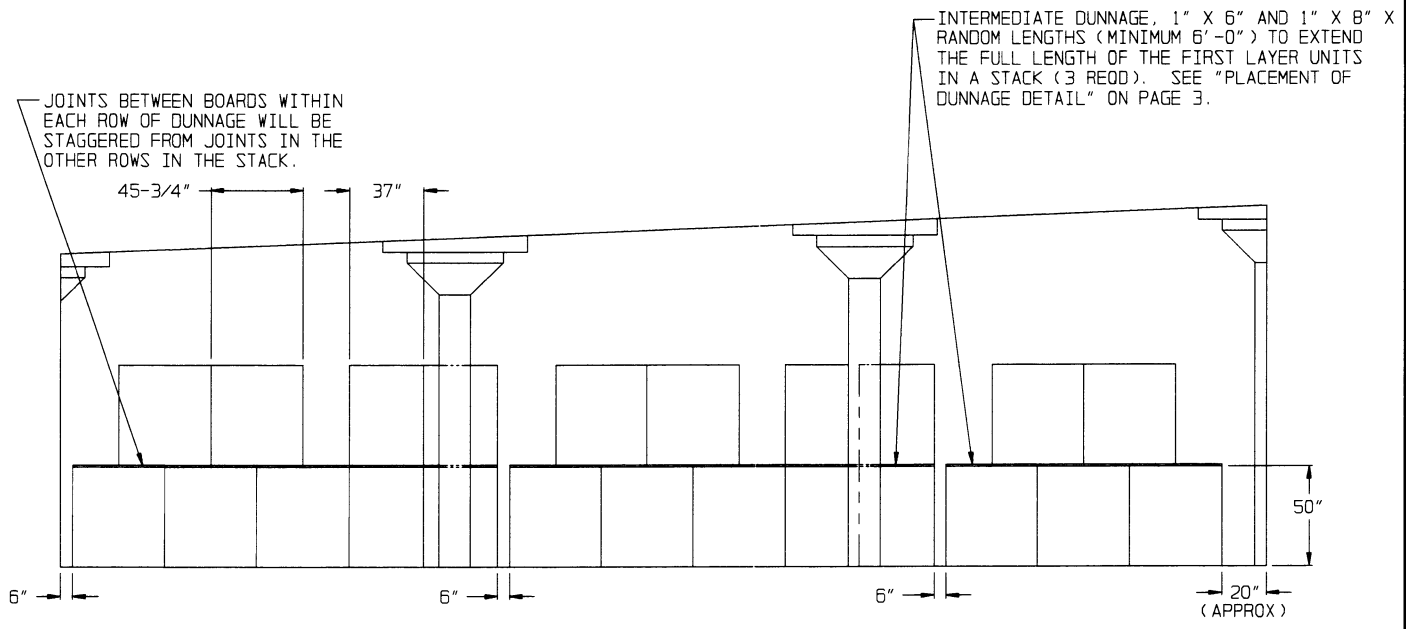


PLAN VIEW

(100'-8" X 50'-0" MAGAZINE)

NOTE:
IF UNITS BEING STORED HAVE AN EXPLOSIVE WEIGHT OF 1,944 LBS PER UNIT, ADD 40 MORE UNITS AS SHOWN BY DOTTED LINES IN THE PLAN VIEW. A TOTAL OF 257 UNITS, EXPLOSIVE WEIGHT 499,608 LBS (APPROX).

SEE "NOTE" AT LEFT AND GENERAL NOTE "D" ON PAGE 2.



SECTION R-R

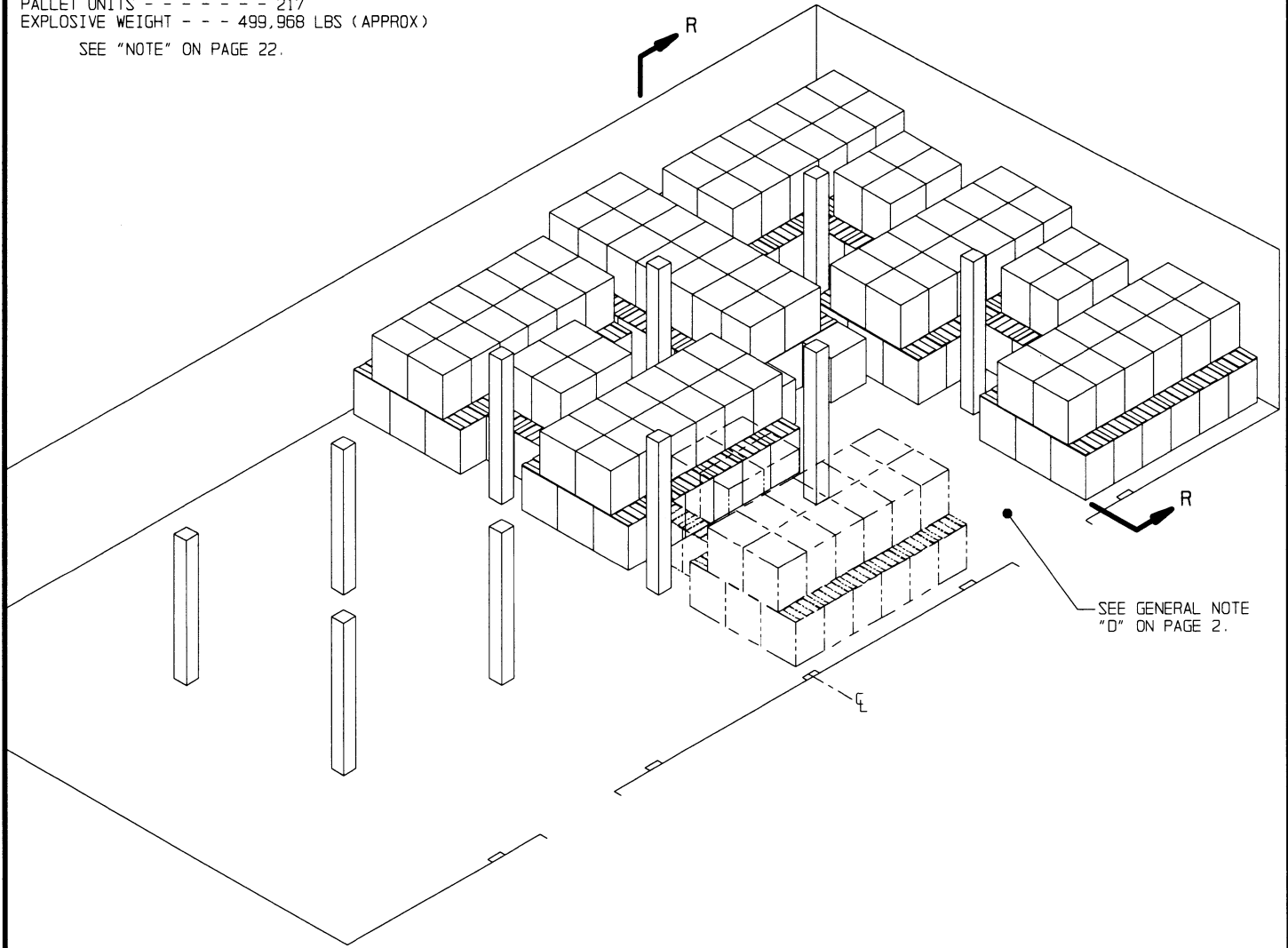
STORAGE IN 100'-8" X 50'-0" MAGAZINE

ITEM

QUANTITY

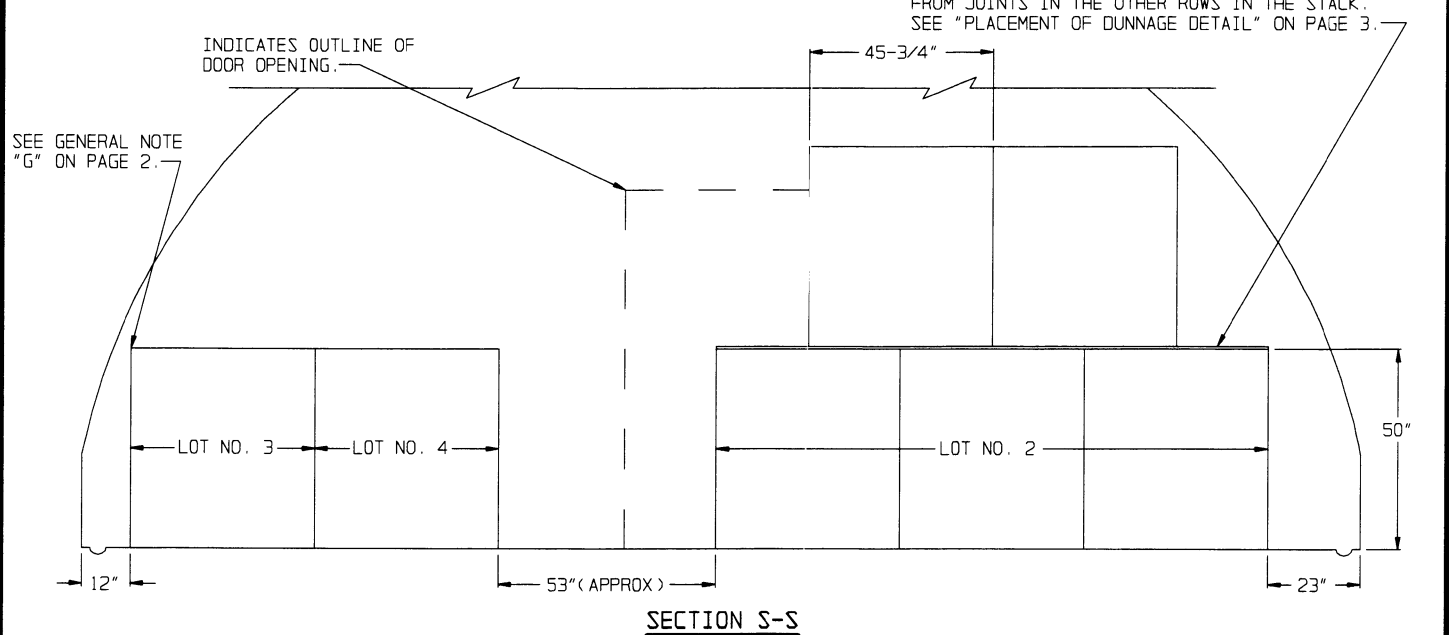
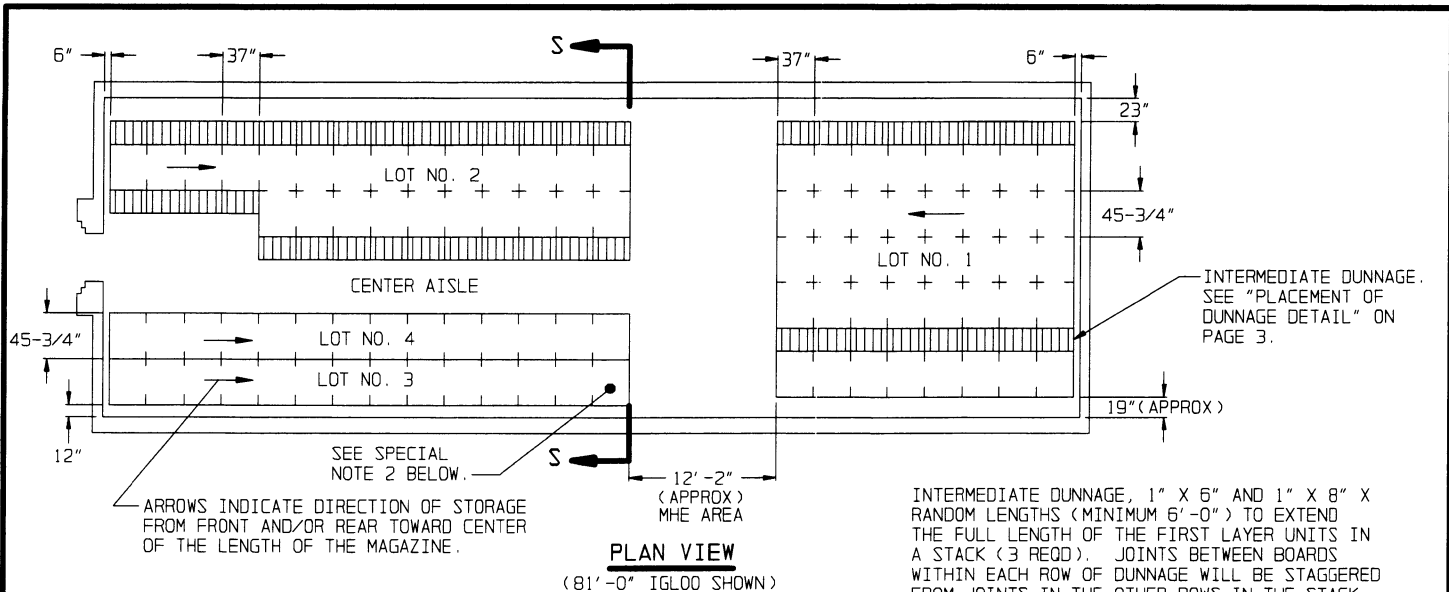
PALLET UNITS - - - - - 217
EXPLOSIVE WEIGHT - - - 499,968 LBS (APPROX)

SEE "NOTE" ON PAGE 22.



ISOMETRIC VIEW
(100'-8" X 50'-0" MAGAZINE)

FOR "GENERAL NOTES" AND "MATERIAL SPECIFICATIONS", SEE PAGE 2.



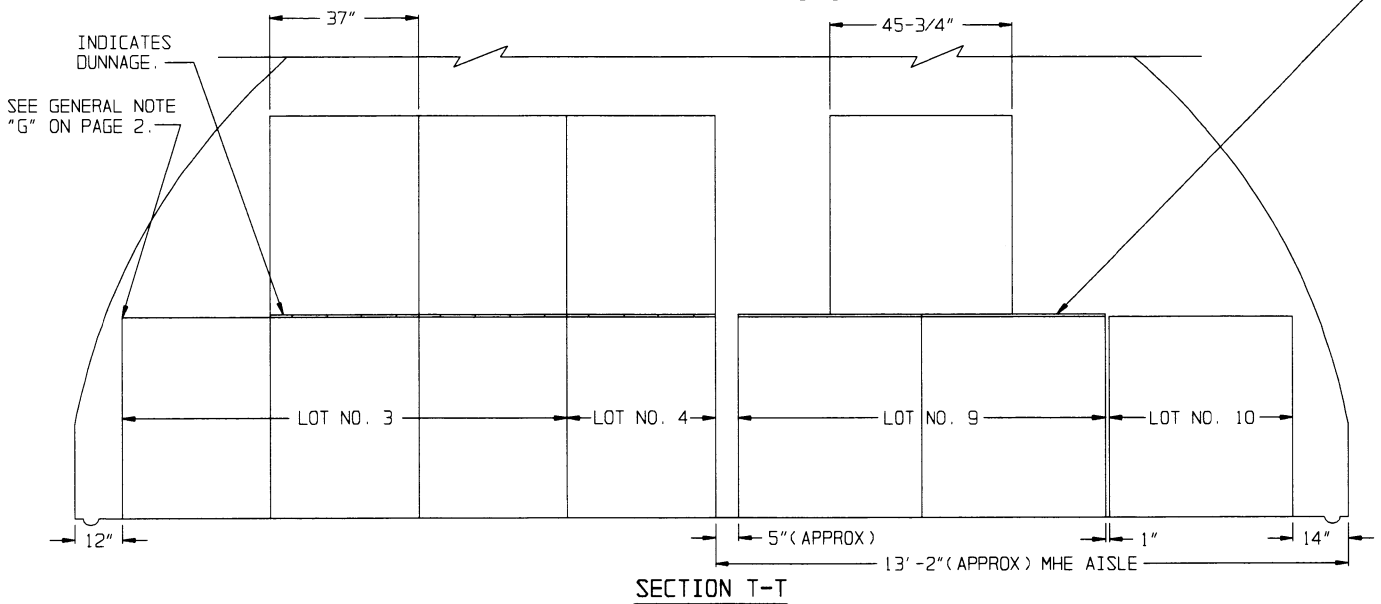
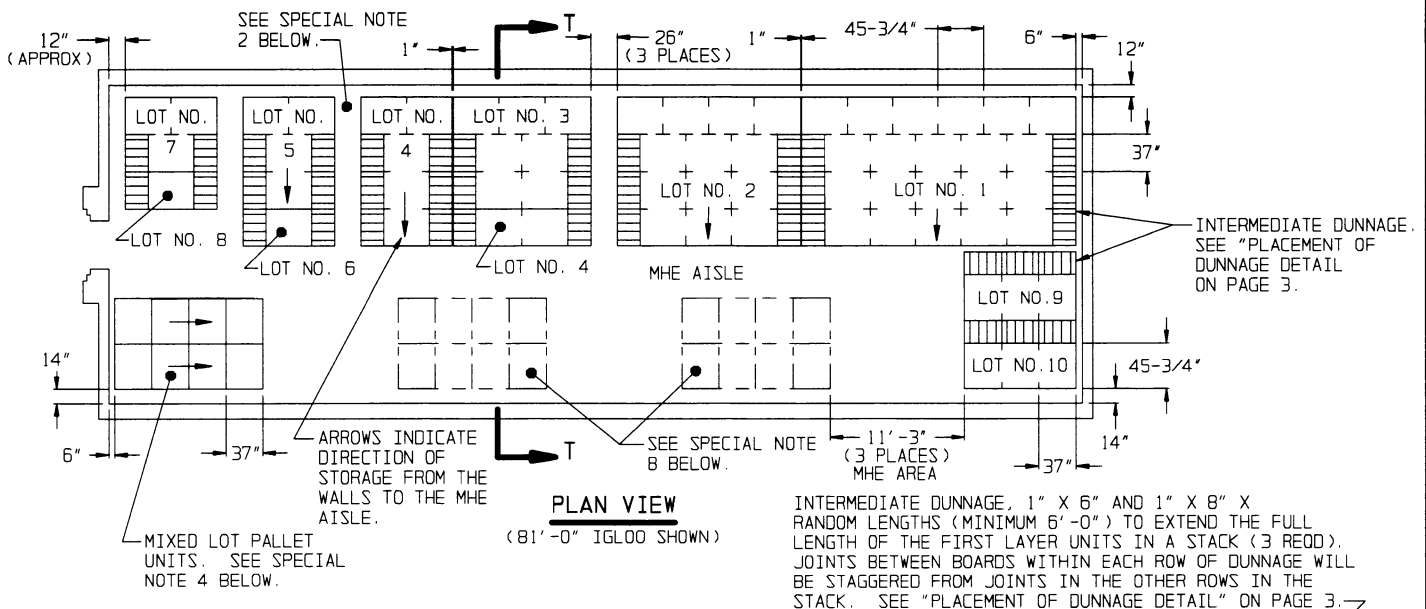
SPECIAL NOTES:

1. THE STORAGE PLANS AND CONFIGURATIONS SHOWN ON THIS PAGE ARE TYPICAL ONLY, AND APPLY TO RELATIVELY LARGE LOTS. ADAPTATIONS MAY BE MADE AS NUMBER AND SIZES OF LOTS TO BE STORED IN MAGAZINE REQUIRE.
2. AN INSPECTION/INVENTORY AISLE MUST BE PROVIDED AT ONE SIDE OR END OF EACH LOT.
3. GENERALLY, THE LARGEST LOT SHOULD BE STORED IN THE REAR OF THE MAGAZINE. HOWEVER, THE REAR AREA MAY BE USED TO STORE MORE THAN ONE LOT BY ERECTING ROWS SIMILAR TO THOSE SHOWN IN THE FRONTAL AREA. A CENTER AISLE WILL NOT BE REQUIRED IN THE REAR AREA AS LONG AS EACH LOT IS ACCESSIBLE FOR REMOVAL AND INSPECTION/INVENTORY IN ACCORDANCE WITH OTHER CRITERIA SPECIFIED IN THESE SPECIAL NOTES AND IN THE GENERAL NOTES ON PAGE 2.
4. EACH LOT WITHIN THE MAGAZINE MUST BE ACCESSIBLE FOR MOVEMENT BY MHE. A SINGLE-LOT OF PALLET UNITS IS CONSIDERED "ACCESSIBLE" IF NO MORE THAN TWELVE (12) "LIFTS" OF ANOTHER LOT OR LOTS HAVE TO BE MADE TO GAIN ACCESS TO THAT LOT.

(SPECIAL NOTES CONTINUED)

5. FOR STORAGE OF MULTIPLE LOTS, THE DISTANCE FROM THE SIDEWALLS WILL BE BASED ON THE OVERHEAD CLEARANCE REQUIRED FOR MHE.
6. WHEN TWO LOTS ARE STORED ADJACENT TO EACH OTHER, THEY SHOULD BE SEPARATED BY AT LEAST 1" TO PROVIDE CLEARANCE FOR REMOVAL OF EITHER LOT.

(CONTINUED AT RIGHT)



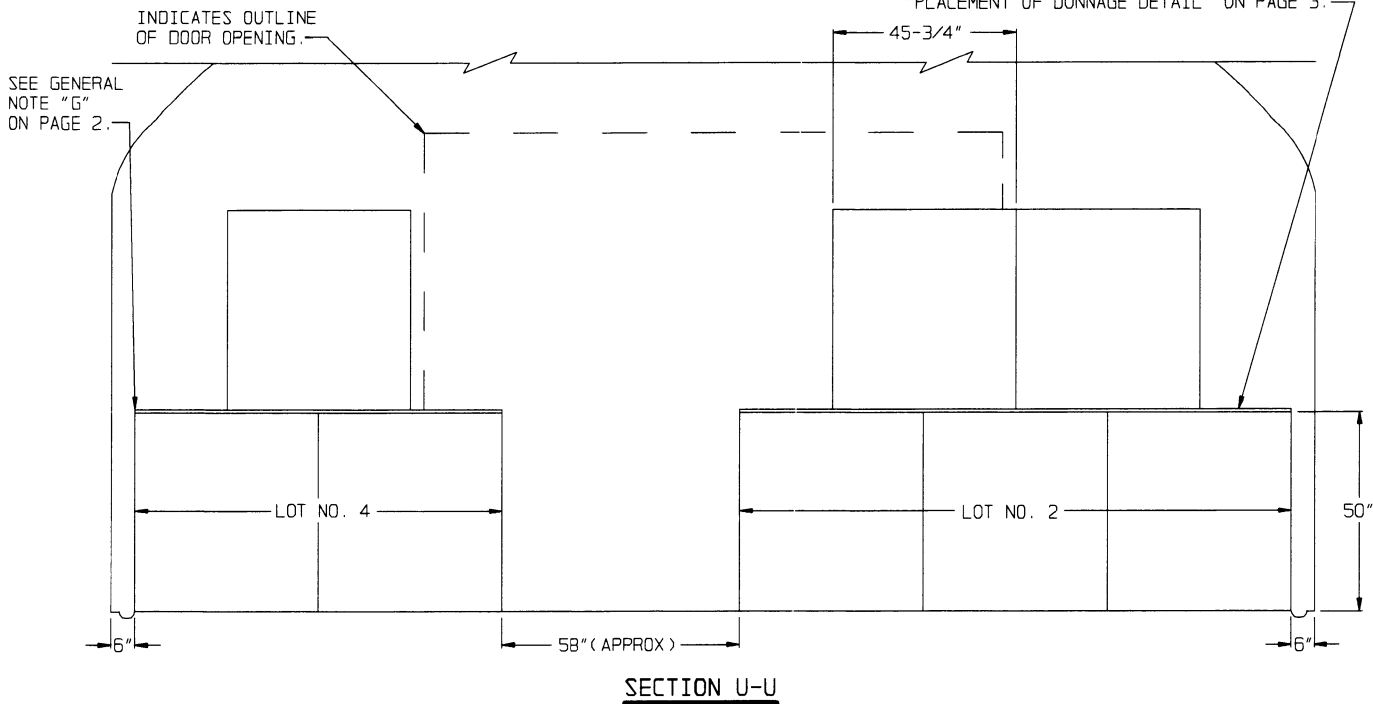
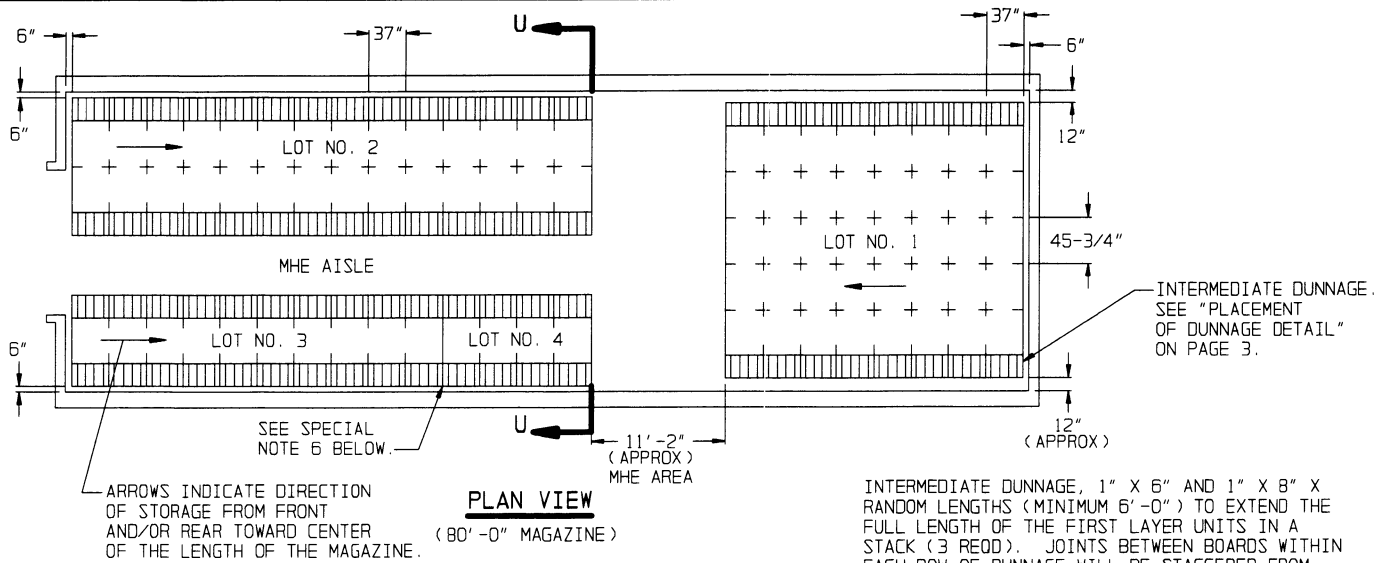
SPECIAL NOTES:

(SPECIAL NOTES CONTINUED)

1. THE STORAGE PLANS AND CONFIGURATIONS SHOWN ON THIS PAGE ARE TYPICAL ONLY, AND APPLY TO STORAGE OF NUMEROUS SMALL LOTS. ADAPTATIONS MAY BE MADE AS NUMBER AND SIZES OF LOTS TO BE STORED IN MAGAZINE REQUIRE.
2. AN INSPECTION/INVENTORY AISLE NOT LESS THAN 18" WIDE MUST BE PROVIDED AT ONE SIDE OF EACH "BURIED" LOT.
3. GENERALLY, THE LARGEST LOT SHOULD BE STORED IN THE REAR OF THE MAGAZINE. HOWEVER, THE REAR AREA MAY BE USED TO STORE MORE THAN ONE LOT BY ERECTING STACKS SIMILAR TO THOSE SHOWN IN THE FRONTAL AREA. AN MHE AISLE WILL BE REQUIRED ON ONE SIDE OF THE MAGAZINE, AND EACH LOT MUST BE ACCESSIBLE FOR REMOVAL AND INSPECTION/INVENTORY IN ACCORDANCE WITH OTHER CRITERIA SPECIFIED IN THESE SPECIAL NOTES AND IN THE GENERAL NOTES ON PAGE 2.
4. A MIXED-LOT PALLET UNIT MAY HAVE FROM TWO LOTS PER PALLET UNIT UPWARDS TO AS MANY DIFFERENT LOTS AS BOXES WITHIN THAT UNIT. HOWEVER, ALL LOTS WITHIN THE PALLET UNIT MUST HAVE THE SAME NATIONAL STOCK NUMBER AND CONDITION CODE.
5. EACH LOT WITHIN THE MAGAZINE MUST BE ACCESSIBLE FOR MOVEMENT BY MHE. PALLET UNITS OF A SINGLE-LOT OR MIXED-LOT PALLET UNITS ARE CONSIDERED "ACCESSIBLE" IF NOT MORE THAN TWELVE (12) "LIFTS" OF ANOTHER LOT OR LOTS HAVE TO BE MADE TO GAIN ACCESS TO THE SINGLE-LOT OR MIXED-LOT UNITS.
6. FOR STORAGE OF MULTIPLE LOTS, THE DISTANCE FROM THE SIDEWALL WILL BE BASED ON THE OVERHEAD CLEARANCE REQUIRED FOR MHE.
7. WHEN TWO LOTS ARE STORED ADJACENT TO EACH OTHER, THEY SHOULD BE SEPARATED BY AT LEAST 1" TO PROVIDE CLEARANCE FOR REMOVAL OF EITHER LOT.
8. AREAS ENCLOSED BY DOTTED LINES INDICATE LOCATIONS WHERE ADDITIONAL LOTS MAY BE STORED OR WHERE ADDITIONAL ITEMS MAY BE STORED, THAT ARE FROM THE LOT OR LOTS WHICH ARE DIRECTLY OR ALMOST DIRECTLY ACROSS THE CENTER AISLE ON THE OTHER SIDE OF THE MAGAZINE. COMPLIANCE WITH ALL OF THE MULTIPLE-LOT CRITERIA, AS SET FORTH ON THIS PAGE, MUST BE OBSERVED. THE SIZE OF THE LOTS BEING STORED AND THE CRITERIA OF SPECIAL NOTE 5, RELATIVE TO "12 LIFTS", WILL BE MAJOR FACTORS IMPACTING ON THE NUMBER OF UNITS THAT CAN BE STORED IN AN "ADDITIONAL STORAGE LOCATION". MORE OR FEWER UNITS THAN SHOWN MAY BE STORED AT ANY ONE OF THE ADDITIONAL STORAGE LOCATIONS. AN 11'-3" MHE OPERATING AREA HAS BEEN SPECIFIED FOR ACCESS TO EACH "ADDITIONAL LOCATION" BY FORKLIFT TRUCK. THIS OPERATING AREA IS BASED ON REQUIREMENTS OF FORKLIFT TRUCKS COMMONLY USED IN STORAGE MAGAZINES. THE MHE OPERATING AREA CAN BE ENLARGED AS REQUIRED TO SUIT AVAILABLE FORKLIFT TRUCKS, AND SHOULD BE MADE SMALLER IF AVAILABLE MHE PERMITS. A "CENTER AISLE" (SPACE BETWEEN STORAGE ON ONE SIDE OF A MAGAZINE AND AN "ADDITIONAL STORAGE LOCATION") IS TO BE AT LEAST 48 INCHES WIDE. AN AISLE SLIGHTLY WIDER WILL ENHANCE FORKLIFT TRUCK MOVEMENT WITHIN A MAGAZINE. HOWEVER, THIS AISLE SHOULD NOT BE MADE WIDER IF A LOSS IN STORAGE RESULTS.

(CONTINUED AT RIGHT)

TYPICAL MULTIPLE-LOT STORAGE IN IGLOO AND ARCH TYPE MAGAZINES



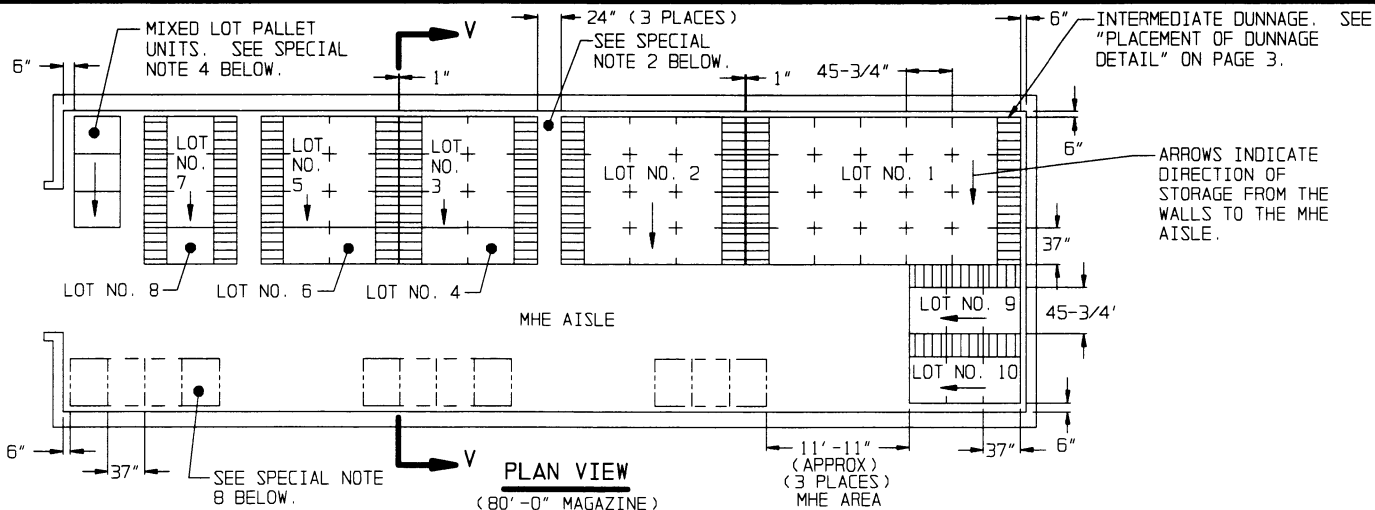
SPECIAL NOTES:

1. THE STORAGE PLANS AND CONFIGURATIONS SHOWN ON THIS PAGE ARE TYPICAL ONLY, AND APPLY TO RELATIVELY LARGE LOTS. ADAPTATIONS MAY BE MADE AS NUMBER AND SIZES OF LOTS TO BE STORED IN MAGAZINE REQUIRE.
2. AN INSPECTION/INVENTORY AISLE MUST BE PROVIDED AT ONE SIDE OR END OF EACH LOT.
3. GENERALLY, THE LARGEST LOT SHOULD BE STORED IN THE REAR OF THE MAGAZINE. HOWEVER, THE REAR AREA MAY BE USED TO STORE MORE THAN ONE LOT BY ERECTING ROWS SIMILAR TO THOSE SHOWN IN THE FRONTAL AREA. A CENTER AISLE WILL NOT BE REQUIRED IN THE REAR AS LONG AS EACH LOT IS ACCESSIBLE FOR REMOVAL AND INSPECTION/INVENTORY IN ACCORDANCE WITH OTHER CRITERIA SPECIFIED IN THESE SPECIAL NOTES AND IN THE GENERAL NOTES ON PAGE 2.
4. EACH LOT WITHIN THE MAGAZINE MUST BE ACCESSIBLE FOR MOVEMENT BY MHE. A SINGLE-LOT OF PALLET UNITS IS CONSIDERED "ACCESSIBLE" IF NOT MORE THAN TWELVE (12) "LIFTS" OF ANOTHER LOT OR LOTS HAVE TO BE MADE TO GAIN ACCESS TO THAT LOT.

(CONTINUED AT RIGHT)

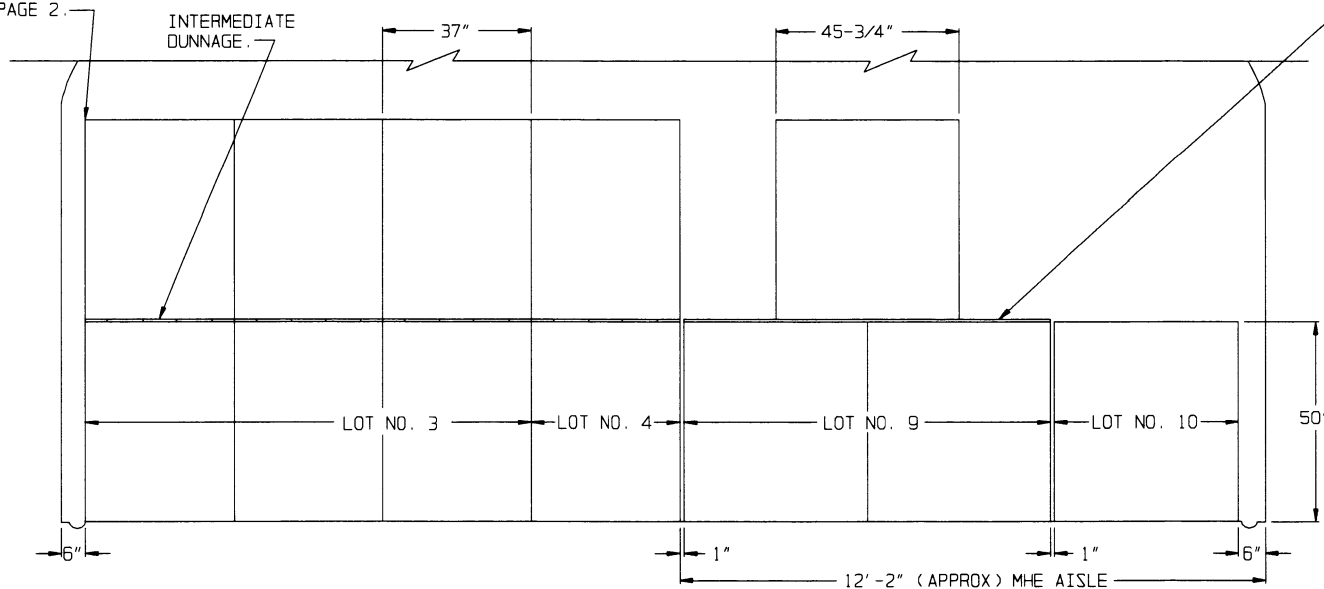
(SPECIAL NOTES CONTINUED)

5. FOR STORAGE OF MULTIPLE LOTS, THE DISTANCE FROM THE SIDEWALL WILL BE BASED ON THE OVERHEAD CLEARANCE REQUIRED FOR MHE.
6. WHEN TWO LOTS ARE STORED ADJACENT TO EACH OTHER, THEY SHOULD BE SEPARATED BY AT LEAST 1" TO PROVIDE CLEARANCE FOR REMOVAL OF EITHER LOT.



INTERMEDIATE DUNNAGE, 1" X 6" AND 1" X 8" X RANDOM LENGTHS (MINIMUM 6'-0") TO EXTEND THE FULL LENGTH OF THE FIRST LAYER UNITS IN A STACK (3 REOD). JOINTS BETWEEN BOARDS WITHIN EACH ROW OF DUNNAGE WILL BE STAGGERED FROM JOINTS IN THE OTHER ROWS IN THE STACKS. SEE "PLACEMENT OF DUNNAGE DETAIL" ON PAGE 3.

SEE GENERAL NOTE "G" ON PAGE 2.



SECTION V-V

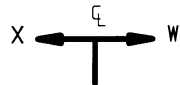
(SPECIAL NOTES CONTINUED)

SPECIAL NOTES:

1. THE STORAGE PLANS AND CONFIGURATIONS SHOWN ON THIS PAGE ARE TYPICAL ONLY, AND APPLY TO STORAGE OF NUMEROUS SMALL LOTS. ADAPTATIONS MAY BE MADE AS NUMBER AND SIZES OF LOTS TO BE STORED IN MAGAZINE REQUIRE.
2. AN INSPECTION/INVENTORY AISLE NOT LESS THAN 18" WIDE MUST BE PROVIDED AT ONE SIDE OF EACH "BURIED" LOT.
3. GENERALLY, THE LARGEST LOT SHOULD BE STORED IN THE REAR OF THE MAGAZINE. HOWEVER, THE REAR AREA MAY BE USED TO STORE MORE THAN ONE LOT BY ERECTING STACKS SIMILAR TO THOSE SHOWN IN THE FRONTAL AREA. AN MHE AISLE WILL BE REQUIRED ON ONE SIDE OF THE MAGAZINE, AND EACH LOT MUST BE ACCESSIBLE FOR REMOVAL AND INSPECTION/INVENTORY IN ACCORDANCE WITH OTHER CRITERIA SPECIFIED IN THESE SPECIAL NOTES AND IN THE GENERAL NOTES ON PAGE 2.
4. A MIXED-LOT PALLET UNIT MAY HAVE FROM TWO LOTS PER PALLET UNIT UPWARDS TO AS MANY DIFFERENT LOTS AS BOXES WITHIN THAT UNIT. HOWEVER, ALL LOTS WITHIN THE PALLET UNIT MUST HAVE THE SAME NATIONAL STOCK NUMBER AND CONDITION CODE.
5. EACH LOT WITHIN THE MAGAZINE MUST BE ACCESSIBLE FOR MOVEMENT BY MHE. PALLET UNITS OF A SINGLE-LOT OR MIXED-LOT PALLET UNITS ARE CONSIDERED "ACCESSIBLE" IF NOT MORE THAN TWELVE (12) "LIFTS" OF ANOTHER LOT OR LOTS HAVE TO BE MADE TO GAIN ACCESS TO THE SINGLE-LOT OR MIXED-LOT UNITS.
6. FOR STORAGE OF MULTIPLE LOTS, THE DISTANCE FROM THE SIDEWALL WILL BE BASED ON THE OVERHEAD CLEARANCE REQUIRED FOR MHE.
7. WHEN TWO LOTS ARE STORED ADJACENT TO EACH OTHER, THEY SHOULD BE SEPARATED BY AT LEAST 1" TO PROVIDE CLEARANCE FOR REMOVAL OF EITHER LOT.
8. AREAS ENCLOSED BY DOTTED LINES INDICATE LOCATIONS WHERE ADDITIONAL LOTS MAY BE STORED OR WHERE ADDITIONAL ITEMS MAY BE STORED, THAT ARE FROM THE LOT OR LOTS WHICH ARE DIRECTLY OR ALMOST DIRECTLY ACROSS THE CENTER AISLE ON THE OTHER SIDE OF THE MAGAZINE. COMPLIANCE WITH ALL OF THE MULTIPLE-LOT CRITERIA AS SET FORTH ON THIS PAGE MUST BE OBSERVED. THE SIZE OF THE LOTS BEING STORED AND THE CRITERIA OF SPECIAL NOTE 5, RELATIVE TO "12 LIFTS", WILL BE MAJOR FACTORS IMPACTING ON THE NUMBER OF UNIT LOADS THAT CAN BE STORED IN AN "ADDITIONAL STORAGE LOCATION". MORE OR FEWER STACKS THAN SHOWN MAY BE STORED AT ANY ONE OF THE ADDITIONAL STORAGE LOCATIONS. AN 11'-11" MHE OPERATING AREA HAS BEEN SPECIFIED FOR ACCESS TO EACH "ADDITIONAL LOCATION" BY FORKLIFT TRUCK. THIS OPERATING AREA IS BASED ON REQUIREMENTS OF FORKLIFT TRUCKS COMMONLY USED IN STORAGE MAGAZINES. THE MHE OPERATING AREA CAN BE ENLARGED AS REQUIRED TO SUIT AVAILABLE FORKLIFT TRUCKS, AND SHOULD BE MADE SMALLER IF AVAILABLE MHE PERMITS. A "CENTER AISLE" (SPACE BETWEEN STORAGE ON ONE SIDE OF A MAGAZINE AND AN "ADDITIONAL STORAGE LOCATION") IS TO BE AT LEAST 48" WIDE. AN AISLE SLIGHTLY WIDER WILL ENHANCE FORKLIFT MOVEMENT WITHIN A MAGAZINE. HOWEVER, THIS AISLE SHOULD NOT BE MADE WIDER IF A LOSS IN STORAGE RESULTS.

(CONTINUED AT RIGHT)

TYPICAL MULTIPLE-LOT STORAGE IN STRADLEY MAGAZINE



ARROWS INDICATE DIRECTION OF STORAGE FROM WALLS TOWARD MHE AISLE.

SEE SPECIAL NOTE 2 ON PAGE 29.

INTERMEDIATE DUNNAGE. SEE "PLACEMENT OF DUNNAGE DETAIL" ON PAGE 3.

LOT NO. 3

LOT NO. 1

LOT NO. 4

LOT NO. 2

24"

24"

37"

30"

45-3/4"

1"
SEE SPECIAL NOTE 7 ON PAGE 29.

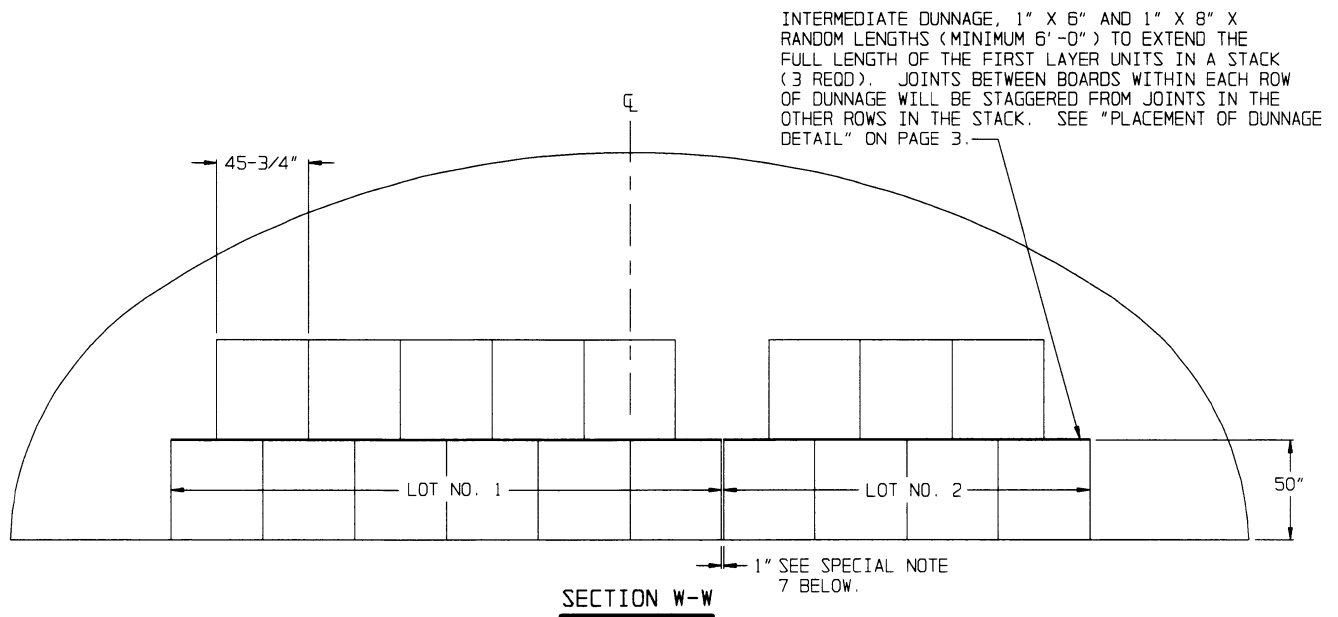
MIXED-LOT PALLET UNITS. SEE SPECIAL NOTE 4 ON PAGE 29.

SEE SPECIAL NOTE 8 ON PAGE 29.

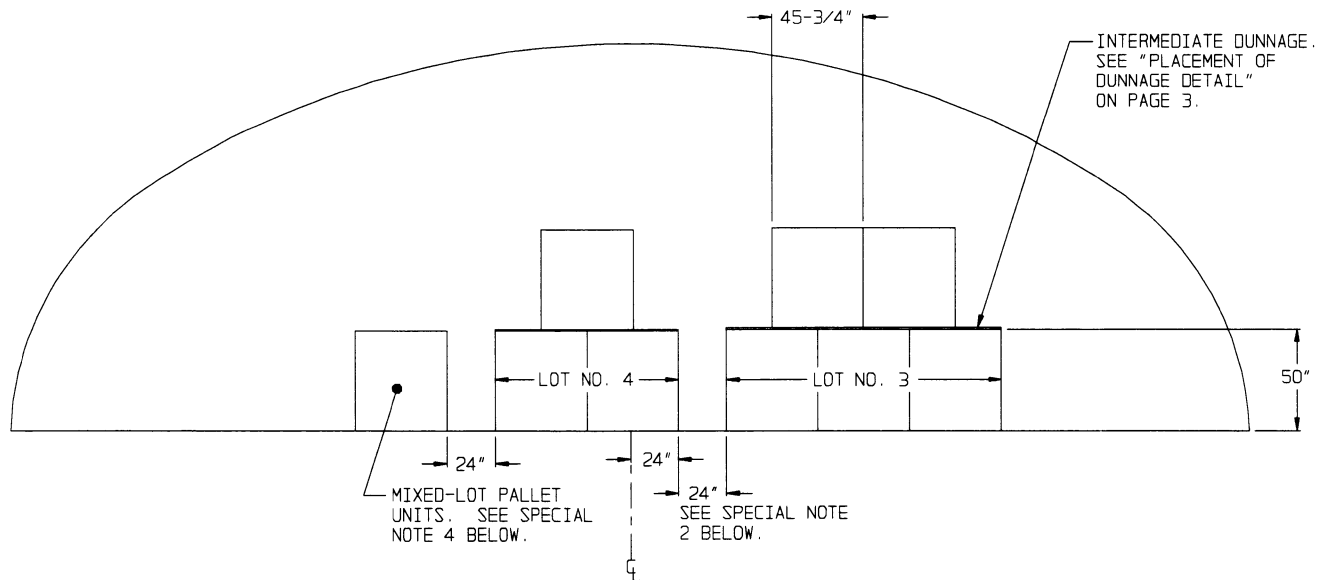
12' -5" (APPROX)
MHE AISLE

PLAN VIEW

(52' -0" DIA MAGAZINE)



SECTION W-W



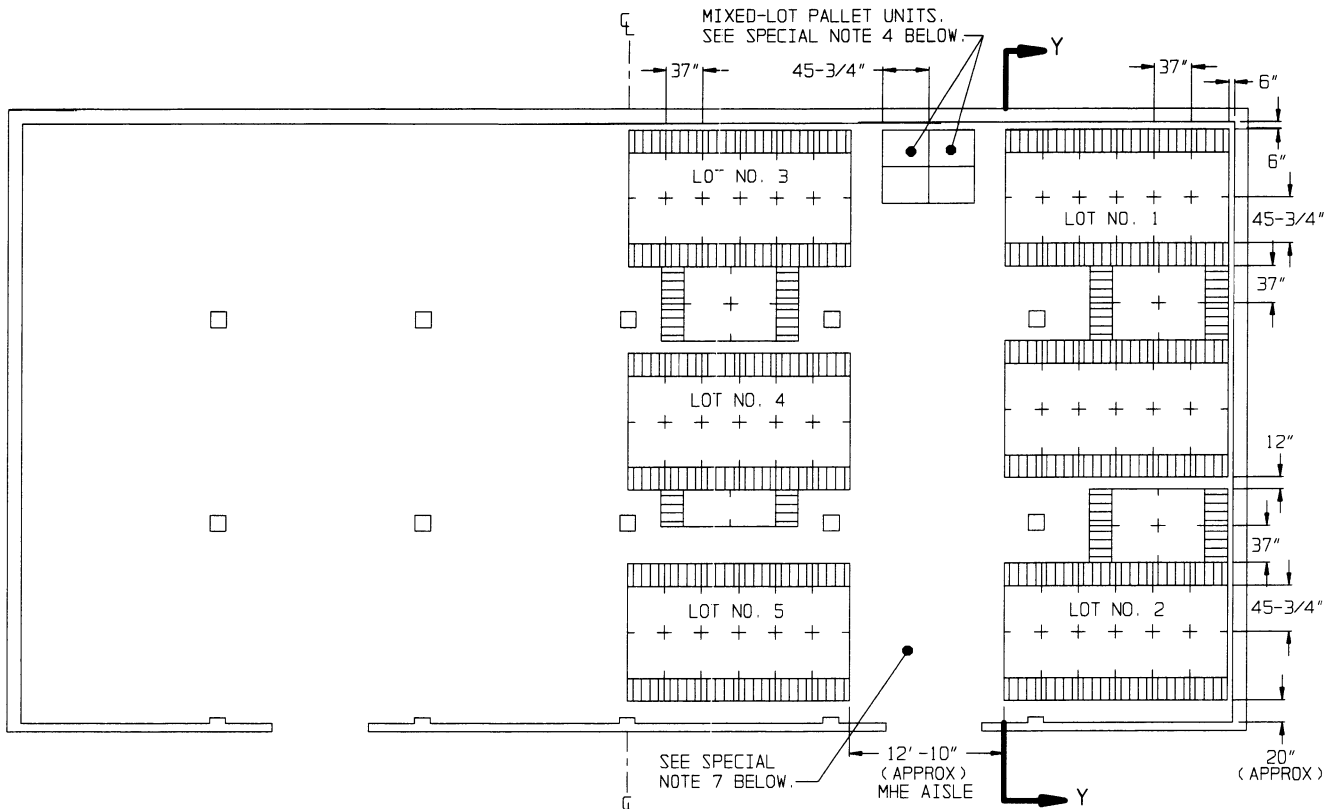
SECTION X-X

SPECIAL NOTES:

(SPECIAL NOTES CONTINUED)

1. THE STORAGE PLANS SHOWN ARE TYPICAL ONLY. ADAPTATIONS MAY BE MADE AS NUMBER AND SIZES OF LOTS TO BE STORED IN MAGAZINE REQUIRE. A 52'-0" DIAMETER CORBETTA MAGAZINE IS SHOWN. THE PRINCIPLES ALSO APPLY TO 44'-7" DIAMETER MAGAZINES.
2. AN INSPECTION/INVENTORY AISLE NOT LESS THAN 18" WIDE MUST BE PROVIDED AT ONE SIDE OF EACH "BURIED" LOT. THERE ARE NO BURIED LOTS SHOWN ON THESE PAGES. LOT NUMBER 3 ON PAGE 45 IS A TYPICAL EXAMPLE OF A BURIED LOT.
3. GENERALLY, THE LARGEST LOT SHOULD BE STORED ON ONE SIDE OF THE MAGAZINE. HOWEVER, BOTH SIDES MAY BE USED TO STORE MORE THAN ONE LOT BY ERECTING ROWS SIMILAR TO THOSE SHOWN ON THE LEFT SIDE. EACH ADDITIONAL LOT MUST BE ACCESSIBLE FOR REMOVAL AND INSPECTION/INVENTORY IN ACCORDANCE WITH OTHER CRITERIA SPECIFIED IN THESE SPECIAL NOTES AND IN THE GENERAL NOTES ON PAGE 2.
4. A MIXED-LOT PALLET UNIT MAY HAVE FROM TWO LOTS PER PALLET UNIT UPWARDS TO AS MANY DIFFERENT LOTS AS BOXES WITHIN THAT UNIT. HOWEVER, ALL LOTS WITHIN THE PALLET UNIT MUST HAVE THE SAME NATIONAL STOCK NUMBER AND CONDITION CODE.
5. EACH LOT WITHIN THE MAGAZINE MUST BE ACCESSIBLE FOR MOVEMENT BY MHE. PALLET UNITS OF A SINGLE-LOT OR MIXED-LOT PALLET UNITS ARE CONSIDERED "ACCESSIBLE" IF NO MORE THAN TWELVE (12) "LIFTS" OF ANOTHER LOT OR LOTS HAVE TO BE MADE TO GAIN ACCESS TO THE SINGLE-LOT OR MIXED-LOT UNITS.
6. FOR STORAGE OF MULTIPLE LOTS, THE DISTANCE FROM THE WALL WILL BE BASED ON THE OVERHEAD CLEARANCE REQUIRED FOR MHE.
7. WHEN TWO LOTS ARE STORED ADJACENT TO EACH OTHER THEY SHOULD BE SEPARATED BY AT LEAST 1" TO PROVIDE CLEARANCE FOR REMOVAL OF EITHER LOT.
8. THE MHE AISLE MAY BE USED TO STORE ONE OR MORE STACKS OF ADDITIONAL LOTS OR ADDITIONAL ITEMS THAT ARE FROM A LOT ADJACENT TO THE MHE AISLE. THIS ADDITIONAL STORAGE IS TO BE ARRANGED IN A MANNER SIMILAR TO ARRANGEMENTS DEPICTED ON PAGES 25 AND 27 FOR THE "ADDITIONAL STORAGE LOCATIONS" (SHOWN BY DOTTED LINES). ADEQUATE SPACE FOR MHE OPERATION, AS DESCRIBED ON PAGES 25 AND 27, MUST BE MADE AVAILABLE FOR THE ADDITIONAL STORAGE. ALSO, COMPLIANCE WITH ALL OF THE MULTIPLE-LOT CRITERIA AS SET FORTH ON THIS PAGE MUST BE OBSERVED.

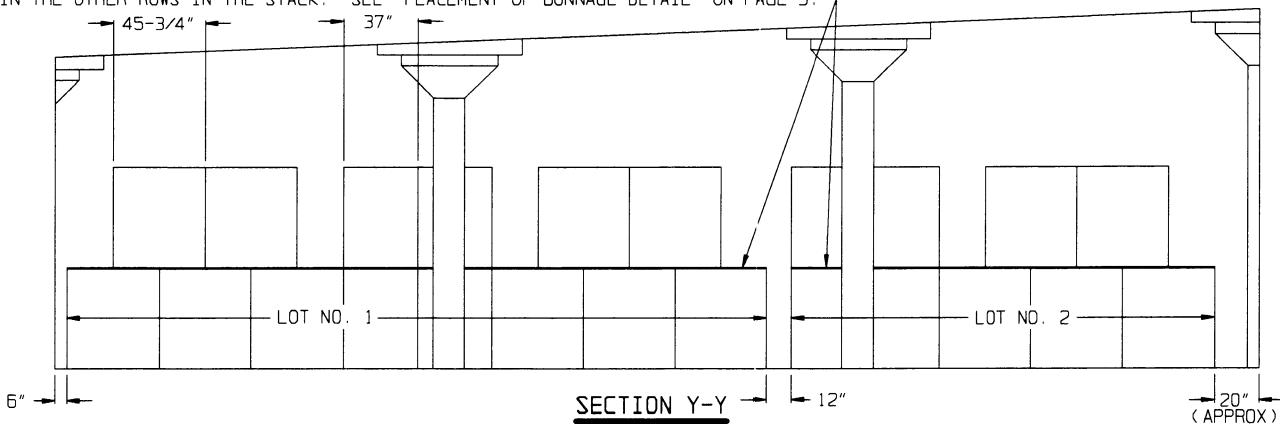
(CONTINUED AT RIGHT)



PLAN VIEW

(100'-8" X 50'-0" MAGAZINE)

INTERMEDIATE DUNNAGE, 1" X 6" AND 1" X 8" X RANDOM LENGTHS (MINIMUM 6'-0") TO EXTEND THE FULL LENGTH OF THE FIRST LAYER UNITS IN A STACK (3 REQD). JOINTS BETWEEN BOARDS WITHIN EACH ROW OF DUNNAGE WILL BE STAGGERED FROM JOINTS IN THE OTHER ROWS IN THE STACK. SEE "PLACEMENT OF DUNNAGE DETAIL" ON PAGE 3.



SPECIAL NOTES:

(SPECIAL NOTES CONTINUED)

1. THE STORAGE PLANS SHOWN ARE TYPICAL ONLY. ADAPTATIONS MAY BE MADE AS NUMBER AND SIZES OF LOTS TO BE STORED IN MAGAZINE REQUIRE.
2. AN INSPECTION/INVENTORY AISLE NOT LESS THAN 18" WIDE MUST BE PROVIDED AT ONE SIDE OF EACH "BURIED" LOT. THERE ARE NO BURIED LOTS SHOWN ON THIS PAGE. LOT NUMBER 3 ON PAGE 27 IS A TYPICAL EXAMPLE OF A BURIED LOT.
3. GENERALLY, THE LARGEST LOT SHOULD BE STORED IN THE REAR OR ON ONE SIDE OF THE MAGAZINE. EACH ADDITIONAL LOT MUST BE ACCESSIBLE FOR REMOVAL AND INSPECTION/INVENTORY IN ACCORDANCE WITH OTHER CRITERIA SPECIFIED IN THESE SPECIAL NOTES AND IN THE GENERAL NOTES ON PAGE 2.
4. A MIXED-LOT PALLET UNIT MAY HAVE FROM TWO LOTS PER PALLET UNIT UPWARDS TO AS MANY DIFFERENT LOTS AS BOXES WITHIN THAT UNIT. HOWEVER, ALL LOTS WITHIN THE PALLET UNIT MUST HAVE THE SAME NATIONAL STOCK NUMBER AND CONDITION CODE.
5. EACH LOT WITHIN THE MAGAZINE MUST BE ACCESSIBLE FOR MOVEMENT BY MHE. PALLET UNITS OF A SINGLE-LOT OR MIXED-LOT PALLET UNITS ARE CONSIDERED "ACCESSIBLE" IF NO MORE THAN TWENTY-FOUR (24) "LIFTS" OF ANOTHER LOT OR LOTS HAVE TO BE MADE TO GAIN ACCESS TO THE SINGLE-LOT OR MIXED-LOT UNITS.
6. WHEN TWO LOTS ARE STORED ADJACENT TO EACH OTHER THEY SHOULD BE SEPARATED BY AT LEAST 1" TO PROVIDE CLEARANCE FOR REMOVAL OF EITHER LOT.
7. THE MHE AISLE MAY BE USED TO STORE ONE OR MORE STACKS OF ADDITIONAL LOTS OR ADDITIONAL ITEMS THAT ARE FROM A LOT ADJACENT TO THE MHE AISLE. THIS ADDITIONAL STORAGE IS TO BE APRANGED IN A MANNER SIMILAR TO ARRANGEMENTS DEPICTED ON PAGES 25 AND 27 FOR THE "ADDITIONAL STORAGE LOCATIONS" (SHOWN BY DOTTED LINES). ADEQUATE SPACE FOR MHE OPERATION, AS DESCRIBED ON PAGES 25 AND 27, MUST BE MADE AVAILABLE FOR THE ADDITIONAL STORAGE. ALSO, COMPLIANCE WITH ALL OF THE MULTIPLE-LOT CRITERIA AS SET FORTH ON THIS PAGE MUST BE OBSERVED.

(CONTINUED AT RIGHT)