

APPENDIX 56

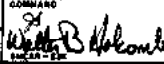

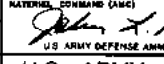
UNITIZATION PROCEDURES FOR MILITARY AMMUNITION AND COMPONENTS PACKED IN FIBERBOARD BOXES IN WIREBOUND OR FIBERBOARD 4-WAY ENTRY PALLET BOXES

GRENADE, LAUNCHER, SMOKE, PACKED 4 PER M2AI
AMMUNITION CONTAINER, UNITIZED 72 PER WIREBOUND
PALLET BOX (PALLET UNIT A) OR 63 PER FIBERBOARD
PALLET BOX (PALLET UNIT B); APPROX BOX SIZE
 $12\frac{1}{32}$ " L X $6\frac{3}{32}$ " W X $7\frac{1}{2}$ " H

PALLET UNIT DATA								
ITEMS INCLUDED		HAZARD CLASSIFICATION [Ⓢ]				WEIGHT (LBS)	WEIGHT (LBS)	
NSN	DODIC	DOT CLASS	CG CLASS	QD CLASS	COMP GROUP	UNIT A	UNIT B	
1330- 01-171-8869	G826	1.3	C	II-C	G	1,787	1,615	

NOTICE: THIS APPENDIX CANNOT STAND ALONE BUT MUST BE USED IN
CONJUNCTION WITH THE BASIC UNITIZATION PROCEDURES DRAWING
19-48-4169-20PA1006.

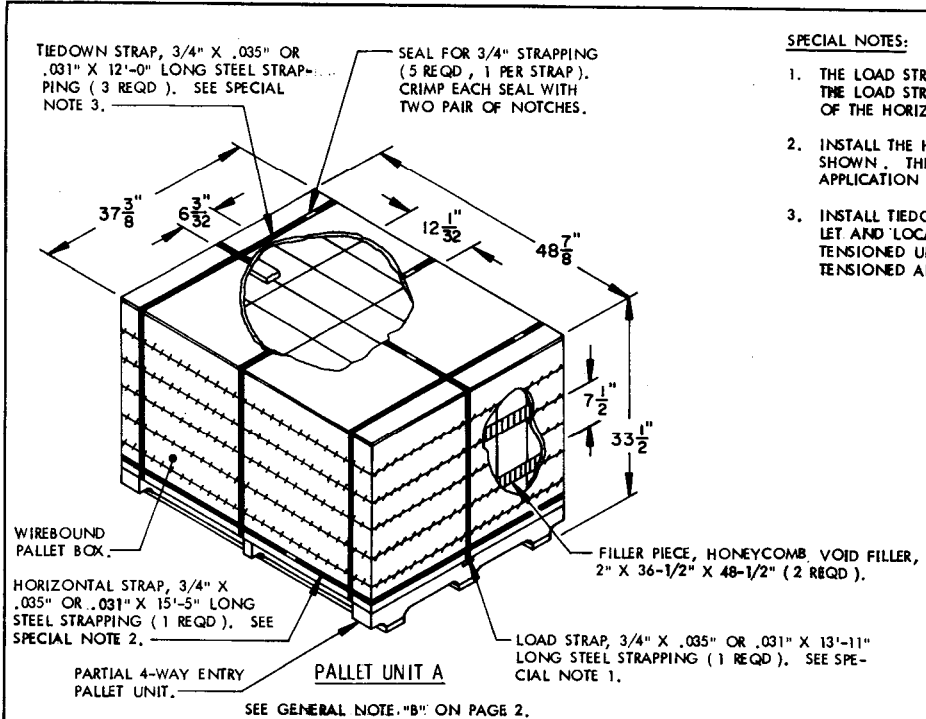
Ⓢ HAZARD CLASSIFICATION DATA CONTAINED IN THE ABOVE CHART
IS FOR GUIDANCE AND INFORMATIONAL PURPOSES ONLY.
VERIFICATION OF THE SPECIFIED DATA SHOULD BE MADE BY
CONSULTING THE MOST RECENT JOINT HAZARD CLASSIFICATION
SYSTEM LISTING OR OTHER APPROVED LISTING (S).

REVISIONS				DRAWN BY dh	PROJECTED LAF/WRF
				CHECKER GRG	LOAD ENTRY OFFICE WY/Emate
				APPROVED, U.S. ARMY ARMAMENT, MUNITIONS AND CHEMICAL COMMAND	
				  <small>ANMCC - TND</small>	
				APPROVED BY ORDER OF COMMANDING GENERAL, U.S. ARMY MUNITIONS COMMAND (AMC)	
				 <small>U.S. ARMY DEFENSE AMMUNITION CENTER AND SCHOOL</small>	
U.S. ARMY AMC DRAWING					
MAY 1989					
CLASS	DIVISION	DRAWING	FILE		
19	48	4169/56	20PA 1006		

DO NOT SCALE

GENERAL NOTES

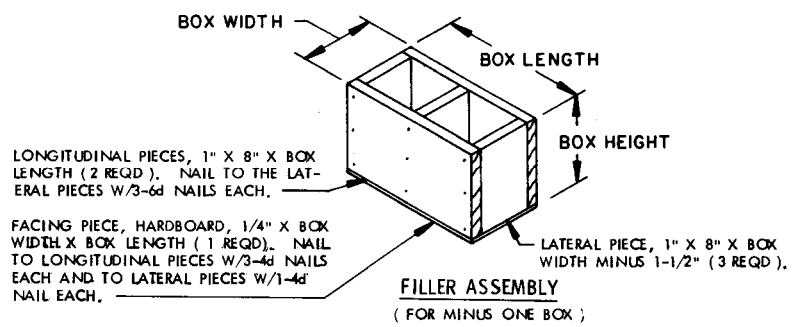
- A. THIS APPENDIX CANNOT STAND ALONE BUT MUST BE USED IN CONJUNCTION WITH THE BASIC UNITIZATION PROCEDURES DRAWING 19-48-4169-20PA1006. TO PRODUCE AN APPROVED UNIT LOAD, ALL PERTINENT PROCEDURES, SPECIFICATIONS AND CRITERIA SET FORTH WITHIN THE BASIC DRAWING WILL APPLY TO THE PROCEDURES DELINEATED IN THIS APPENDIX. ANY EXCEPTIONS TO THE BASIC PROCEDURES ARE SPECIFIED IN THIS APPENDIX.
- B. DIMENSIONS, CUBE AND WEIGHT OF A PALLET BOX UNIT WILL VARY SLIGHTLY DEPENDING UPON THE ACTUAL DIMENSIONS OF THE BOXES AND THE WEIGHT OF THE SPECIFIC ITEM BEING UNITIZED.
- C. OUTLOADING AND STORAGE OF THE ITEMS COVERED BY THIS APPENDIX SHALL BE ACCOMPLISHED IN ACCORDANCE WITH AMC (DARCOM) DRAWINGS IDENTIFIED WITHIN DA PAMPHLET 75-5.
- D. IF THE ITEMS COVERED HEREIN ARE UNITIZED PRIOR TO ISSUANCE OF THIS APPENDIX, THE BOXES NEED NOT BE REUNITIZED SOLELY TO CONFORM TO THIS APPENDIX.
- E. THE UNITIZATION PROCEDURES DEPICTED HEREIN MAY ALSO BE USED FOR UNITIZING GRENADE, LAUNCHER, SMOKE, WHEN IDENTIFIED BY DIFFERENT NATIONAL STOCK NUMBERS (NSN) THAN WHAT IS SHOWN ON THE TITLE PAGE, PROVIDED THE BOX PACK DOES NOT VARY FROM WHAT IS DELINEATED HEREIN. THE EXPLOSIVE CLASSIFICATION OF OTHER ITEMS MAY BE DIFFERENT THAN WHAT IS SHOWN.



- SPECIAL NOTES:**
1. THE LOAD STRAP MUST BE THREADED THROUGH THE STRAP SLOT OF THE PALLET. THE LOAD STRAP MUST BE TENSIONED AND SEALED PRIOR TO THE APPLICATION OF THE HORIZONTAL STRAP.
 2. INSTALL THE HORIZONTAL STRAP TO ENIRCLE THE PALLET BOX UNIT AS SHOWN. THE HORIZONTAL STRAP MUST BE TENSIONED AND SEALED PRIOR TO APPLICATION OF TIEDOWN STRAPS.
 3. INSTALL TIEDOWN STRAPS TO PASS UNDER THE TOP DECK BOARDS OF THE PALLET AND LOCATE AS SHOWN. TIEDOWN STRAPS MAY BE APPLIED BUT NOT TENSIONED UNTIL THE HORIZONTAL AND LOAD STRAPS HAVE BEEN INSTALLED, TENSIONED AND SEALED.

72 BOXES OF SMOKE GRENADE LAUNCHERS (4 PER BOX) @ 23 LBS EA	-----	1,656 LBS (APPROX)
DUNNAGE	-----	13 LBS
WIREBOUND PALLET BOX	-----	118 LBS
TOTAL WEIGHT	-----	1,787 LBS (APPROX)
CUBE	-----	35.4 CU FT (APPROX)

BILL OF MATERIAL (UNIT A)			
WIREBOUND PALLET BOX	-----	1 REQD	----- 118 LBS
STEEL STRAPPING, 3/4"	-----	65.33' REQD	----- 4.67 LBS
SEAL FOR 3/4" STRAPPING	-----	5 REQD	----- NIL
HONEYCOMB, 2"	-----	24.40 SQ FT REQD	----- 8.11 LBS



TIEDOWN STRAP, 3/4" X .035" OR .031" X 12'-5" LONG STEEL STRAPPING (3 REQD). SEE SPECIAL NOTE 2.

SEAL FOR 3/4" STRAPPING (5 REQD, 1 PER STRAP). CRIMP EACH SEAL WITH TWO PAIR OF NOTCHES.

FILLER PIECE HONEYCOMB VOID FILLER, 2" X 37" X 26-1/2" (2 REQD).

FILLER PIECE, HARDBOARD, 3/8" X 18-1/4" X 26-1/2" (2 REQD).

FILLER PIECE, HARDBOARD, 1/4" X 37" X 26-1/2" (1 REQD).

FILLER PIECE, HARDBOARD, 3/8" X 24-3/8" X 26-1/2" (2 REQD).

FILLER PIECE, HONEYCOMB VOID FILLER, 2" X 47" X 26-1/2" (1 REQD).

40" X 48" PALLET.

FILLER PIECE, HONEYCOMB VOID FILLER, 2" X 12" X 18-1/4" (6 REQD).

FIBERBOARD PALLET BOX.

FILLER PIECE, HONEYCOMB VOID FILLER, 2" X 12" X 24-3/8" (6 REQD).

LOAD STRAP, 3/4" X .035" OR .031" X 13'-9" LONG STEEL STRAPPING (2 REQD). SEE SPECIAL NOTE 1.

SPECIAL NOTES:

1. THE LOAD STRAPS MUST BE THREADED THROUGH THE STRAP SLOTS OF THE PALLET AS SHOWN. LOAD STRAPS MUST BE TENSIONED AND SEALED PRIOR TO APPLICATION OF TIEDOWN STRAPS.
2. INSTALL EACH TIEDOWN STRAP TO PASS UNDER THE TOP DECK BOARDS OF THE PALLET. TIEDOWN STRAPS MAY BE APPLIED BUT NOT TENSIONED UNTIL LOAD STRAPS HAVE BEEN INSTALLED, TENSIONED AND SEALED.

PALLET UNIT B

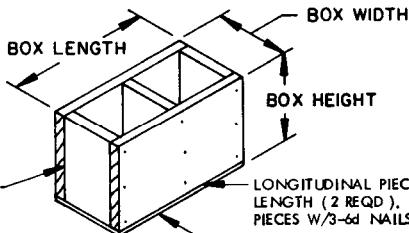
SEE GENERAL NOTE "B" ON PAGE 2.

63 BOXES OF SMOKE GRENADE LAUNCHERS (4 PER BOX) @ 23 LBS EA ----- 1,449 LBS (APPROX)
 DUNNAGE ----- 46 LBS
 FIBERBOARD PALLET BOX ----- 120 LBS

TOTAL WEIGHT ----- 1,615 LBS (APPROX)
 CUBE ----- 37.2 CU FT (APPROX)

BILL OF MATERIAL (UNIT B)

FIBERBOARD PALLET BOX	----- 1 REQD -----	120 LBS
STEEL STRAPPING, 3/4"	----- 64.75' REQD -----	4.63 LBS
SEAL FOR 3/4" STRAPPING	----- 5 REQD -----	NIL
HONEYCOMB, 2"	----- 43.58 SQ FT REQD -----	14.49 LBS
HARDBOARD, 1/4"	----- 6.81 SQ FT REQD -----	5.96 LBS
HARDBOARD, 3/8"	----- 15.69 SQ FT REQD -----	20.59 LBS



LATERAL PIECE, 1" X 8" X BOX WIDTH MINUS 1-1/2" (3 REQD).

LONGITUDINAL PIECE, 1" X 8" X BOX LENGTH (2 REQD). NAIL TO LATERAL PIECES W/3-6d NAILS EACH.

FILLER ASSEMBLY

(FOR MINUS ONE BOX)

FACING PIECE, HARDBOARD, 1/4" X BOX WIDTH X BOX LENGTH (1 REQD). NAIL TO LONGITUDINAL PIECES W/3-6d NAILS EACH AND TO LATERAL PIECES W/1-4d NAIL EACH.