

APPENDIX 121

UNITIZATION PROCEDURES FOR MILITARY AMMUNITION AND COMPONENTS PACKED IN FIBERBOARD BOXES IN WIREBOUND OR FIBERBOARD 4-WAY ENTRY PALLET BOXES

CAPS, BLASTING, PRACTICE, PACKED 100 PER
FIBERBOARD BOX, UNITIZED 108 BOXES PER WIREBOUND
PALLET BOX (PALLET UNIT A) OR 90 BOXES PER
FIBERBOARD PALLET BOX (PALLET UNIT B); APPROX
BOX SIZE 11" L X 7 $\frac{1}{4}$ " W X 6" H

PALLET UNIT DATA							
ITEMS INCLUDED		HAZARD CLASSIFICATION				WEIGHT (LBS)	
NSN	DOD IC	DOT CLASS	CG CLASS	QD CLASS	COMP GROUP	UNIT A	UNIT B
1375-00-621-8370	M098	—	INERT	—	—	555	489

NOTICE: THIS APPENDIX CANNOT STAND ALONE BUT MUST BE USED IN CONJUNCTION WITH THE BASIC UNITIZATION PROCEDURES DRAWING 19-48-4169-20PA1006.

REVISIONS				DRAFTSMAN MJE	PROJ ENG nd
				GEG	LAE/WRE W&C
<small>APPROVED, U.S. ARMY ARMAMENT, MUNITIONS AND CHEMICAL COMMAND</small>					
		<i>Martin</i>		<i>B. J. Anderson</i>	
<small>APPROVED BY ORDER OF COMMANDING GENERAL, U.S. ARMY MATERIEL COMMAND (AMC)</small>					
<i>William F. Ernst</i>					
<small>U.S. ARMY DEFENSE AMMUNITION CENTER AND SCHOOL</small>					
U.S. ARMY AMC DRAWING					
NOVEMBER 1985					
CLASS	DIVISION	DRAWING	FILE		
19	48	4169/ 121	20PA 1006		

DO NOT SCALE

GENERAL NOTES

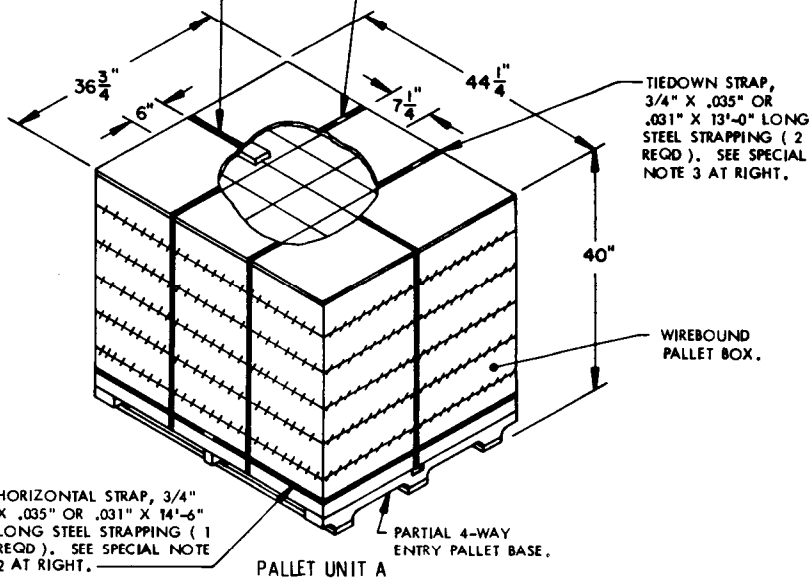
- A. THIS APPENDIX CANNOT STAND ALONE BUT MUST BE USED IN CONJUNCTION WITH THE BASIC UNITIZATION PROCEDURES DRAWING 19-48-4169-20PA1006. TO PRODUCE AN APPROVED UNIT LOAD, ALL PERTINENT PROCEDURES, SPECIFICATIONS AND CRITERIA SET FORTH WITHIN THE BASIC DRAWING WILL APPLY TO THE PROCEDURES DELINEATED IN THIS APPENDIX. ANY EXCEPTIONS TO THE BASIC PROCEDURES ARE SPECIFIED IN THIS APPENDIX.
- B. DIMENSIONS, CUBE AND WEIGHT OF A PALLET BOX UNIT WILL VARY SLIGHTLY DEPENDING UPON THE ACTUAL DIMENSIONS OF THE BOXES AND THE WEIGHT OF THE SPECIFIC ITEM BEING UNITIZED.
- C. OUTLOADING AND STORAGE OF THE ITEMS COVERED BY THIS APPENDIX SHALL BE ACCOMPLISHED IN ACCORDANCE WITH AMC (DARCOM) DRAWINGS IDENTIFIED WITHIN DA PAMPHLET 75-5.
- D. IF THE ITEMS COVERED HEREIN ARE UNITIZED PRIOR TO ISSUANCE OF THIS APPENDIX, THE BOXES NEED NOT BE REUNITIZED SOLELY TO CONFORM TO THIS APPENDIX.

LOAD STRAP, 3/4" X .035" OR .031" X 14'-3" LONG STEEL STRAPPING (1 REQD). SEE SPECIAL NOTE 1 AT RIGHT.

SEAL FOR 3/4" STRAPPING (4 REQD, 1 PER STRAP). CRIMP EACH SEAL WITH TWO PAIR OF NOTCHES.

SPECIAL NOTES:

1. THE LOAD STRAP MUST BE THREADED THROUGH THE STRAP SLOT OF THE PALLET. THE LOAD STRAP MUST BE TENSIONED AND SEALED PRIOR TO THE APPLICATION OF THE HORIZONTAL STRAP.
2. INSTALL THE HORIZONTAL STRAP TO ENCIRCLE THE PALLET BOX UNIT AS SHOWN. THE HORIZONTAL STRAP MUST BE TENSIONED AND SEALED PRIOR TO APPLICATION OF TIEDOWN STRAPS.
3. INSTALL TIEDOWN STRAPS TO PASS UNDER THE TOP DECK BOARDS OF THE PALLET AND LOCATE AS SHOWN. TIEDOWN STRAPS MAY BE APPLIED BUT NOT TENSIONED UNTIL THE HORIZONTAL AND LOAD STRAPS HAVE BEEN INSTALLED, TENSIONED AND SEALED.



HORIZONTAL STRAP, 3/4" X .035" OR .031" X 14'-6" LONG STEEL STRAPPING (1 REQD). SEE SPECIAL NOTE 2 AT RIGHT.

TIEDOWN STRAP, 3/4" X .035" OR .031" X 13'-0" LONG STEEL STRAPPING (2 REQD). SEE SPECIAL NOTE 3 AT RIGHT.

WIREBOUND PALLET BOX.

PARTIAL 4-WAY ENTRY PALLET BASE.

PALLET UNIT A

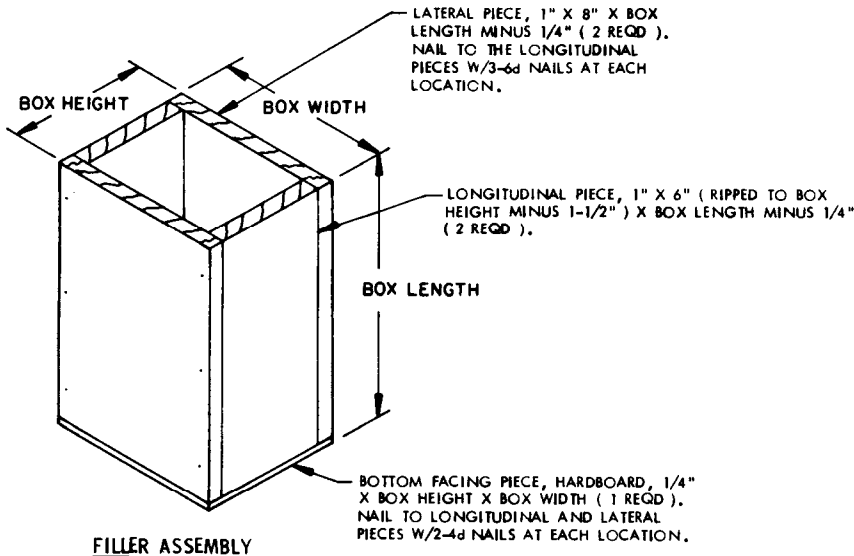
SEE GENERAL NOTE "B" ON PAGE 2.

108 BOXES OF BLASTING CAPS (100 PER BOX) @ 4 LBS ----- 432 LBS (APPROX)
 DUNNAGE ----- 4 LBS
 WIREBOUND PALLET BOX ----- 119 LBS

TOTAL WEIGHT ----- 555 LBS (APPROX)
 CUBE ----- 37.6 CU FT (APPROX)

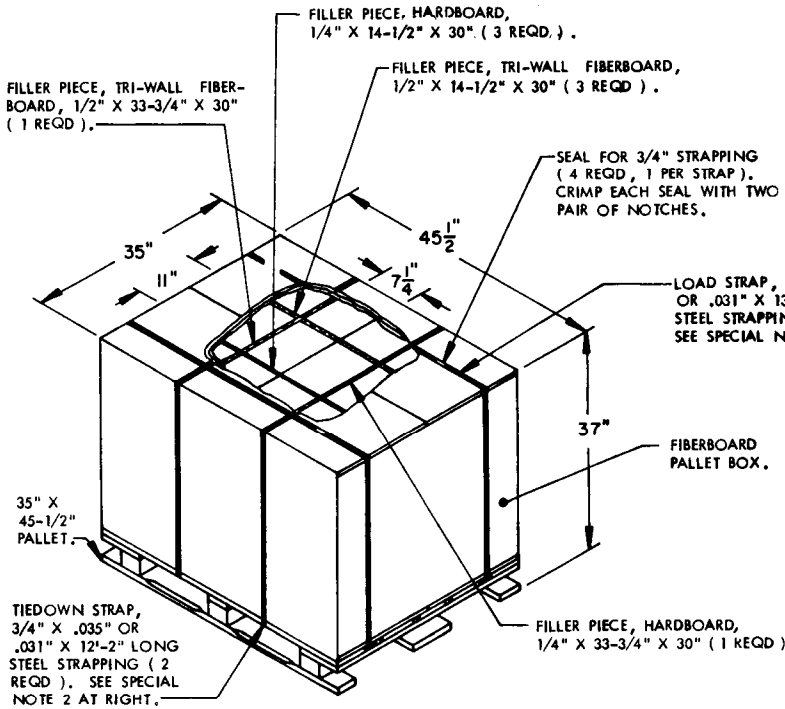
BILL OF MATERIAL (UNIT A)

WIREBOUND PALLET BOX -----	1 REQD -----	119 LBS
STEEL STRAPPING, 3/4" -----	54.75' REQD -----	3.91 LBS
SEAL FOR 3/4" STRAPPING -----	4 REQD -----	NIL



FILLER ASSEMBLY

(FOR MINUS ONE BOX)



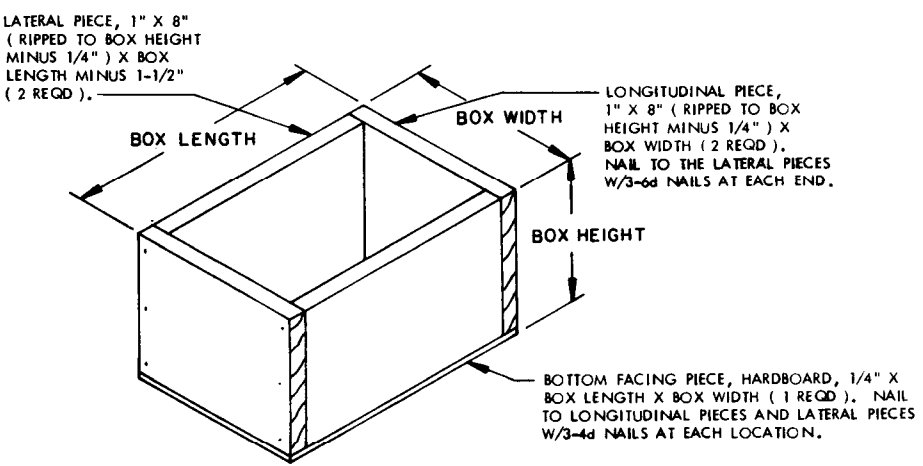
- SPECIAL NOTES:**
1. THE LOAD STRAPS MUST BE THREADED THROUGH THE STRAP SLOTS OF THE PALLET AS SHOWN. LOAD STRAPS MUST BE TENSIONED AND SEALED PRIOR TO APPLICATION OF TIEDOWN STRAPS.
 2. INSTALL EACH TIEDOWN STRAP TO PASS UNDER THE TOP DECK BOARDS OF THE PALLET. TIEDOWN STRAPS MAY BE APPLIED BUT NOT TENSIONED UNTIL LOAD STRAPS HAVE BEEN INSTALLED, TENSIONED AND SEALED.

PALLET UNIT B

SEE GENERAL NOTE "B" ON PAGE 2.

90 BOXES OF BLASTING CAPS (100 PER BOX)	~ 4 LBS	-----	360 LBS (APPROX)
DUNNAGE	-----		26 LBS
FIBERBOARD PALLET BOX	-----		103 LBS
TOTAL WEIGHT			----- 489 LBS (APPROX)
CUBE			----- 34.1 CU FT (APPROX)

BILL OF MATERIAL (UNIT B)			
FIBERBOARD PALLET BOX	----- 1 REQD	-----	103 LBS
STEEL STRAPPING, 3/4"	----- 52.17 REQD	-----	3.73 LBS
SEAL FOR 3/4" STRAPPING	----- 4 REQD	-----	NIL
HARDBOARD, 1/4"	----- 16.09 SQ FT REQD	-----	14.08 LBS
TRI-WALL FIBERBOARD, 1/2"	----- 16.09 SQ FT REQD	-----	7.27 LBS



FILLER ASSEMBLY

(FOR MINUS ONE BOX)