

# APPENDIX I

## UNITIZATION PROCEDURES FOR MILITARY AMMUNITION AND COMPONENTS PACKED IN FIBERBOARD BOXES IN WIREBOUND OR FIBERBOARD 4-WAY ENTRY PALLET BOXES

CARTRIDGE, 5.56MM, PACKED 2,000 PER FIBERBOARD  
BOX, UNITIZED 48 BOXES PER WIREBOUND PALLET  
BOX (PALLET UNIT A) OR 60 BOXES PER FIBERBOARD  
PALLET BOX (PALLET UNIT B); APPROX BOX SIZE  
 $12\frac{1}{4}$ " L X  $8\frac{13}{16}$ " W X  $8\frac{9}{32}$ " H

PALLET UNIT DATA							
ITEMS INCLUDED		HAZARD CLASSIFICATION <span style="font-size: small;">(D)</span>				WEIGHT (LBS)	
NSN	DODIC	DOT CLASS	CG CLASS	QD CLASS	COMP GROUP	UNIT A	UNIT B
1305- 01-116-4959	A065	C	I	1.4	S	1,275	1,567

(D) HAZARD CLASSIFICATION DATA CONTAINED IN THE ABOVE CHART IS FOR GUIDANCE AND INFORMATIONAL PURPOSES ONLY. VERIFICATION OF THE SPECIFIED DATA SHOULD BE MADE BY CONSULTING THE MOST RECENT JOINT HAZARD CLASSIFICATION SYSTEM LISTING OR OTHER APPROVED LISTING (S).

**NOTICE:** THIS APPENDIX CANNOT STAND ALONE BUT MUST BE USED IN CONJUNCTION WITH THE BASIC UNITIZATION PROCEDURES DRAWING 19-48-4169-20PA1006.

REVISIONS				DRAFTSMAN <small>i:dp</small>	PROJ ENG <small>nld</small>
				CHECKER <i>GRG</i>	LOG ENGRG OFFICE <i>WJH/DMT</i>
APPROVED, U.S. ARMY ARMAMENT, MUNITIONS AND CHEMICAL COMMAND				<i>Martin</i>   <i>WJH/DMT</i> <small>SMCAR-ERB</small>   <small>AMC-7MD</small>	
APPROVED BY ORDER OF COMMANDING GENERAL, U.S. ARMY MATERIEL COMMAND (AMC)				<i>William F. Ernst</i> <small>U.S. ARMY DEFENSE AMMUNITION CENTER AND SCHOOL</small>	
U.S. ARMY AMC DRAWING					
SEPTEMBER 1985					
CLASS	DIVISION	DRAWING	FILE		
19	48	4169/1	20PA 1006		

**DO NOT SCALE**

GENERAL NOTES

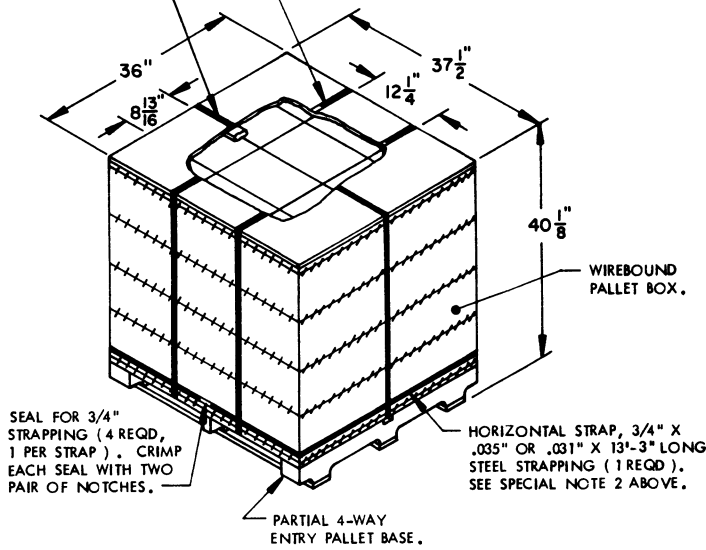
- A. THIS APPENDIX CANNOT STAND ALONE BUT MUST BE USED IN CONJUNCTION WITH THE BASIC UNITIZATION PROCEDURES DRAWING 19-48-4169-20PA1006. TO PRODUCE AN APPROVED UNIT LOAD, ALL PERTINENT PROCEDURES, SPECIFICATIONS AND CRITERIA SET FORTH WITHIN THE BASIC DRAWING WILL APPLY TO THE PROCEDURES DELINEATED IN THIS APPENDIX. ANY EXCEPTIONS TO THE BASIC PROCEDURES ARE SPECIFIED IN THIS APPENDIX.
- B. DIMENSIONS, CUBE AND WEIGHT OF A PALLET BOX UNIT WILL VARY SLIGHTLY DEPENDING UPON THE ACTUAL DIMENSIONS OF THE BOXES AND THE WEIGHT OF THE SPECIFIC ITEM BEING UNITIZED.
- C. OUTLOADING AND STORAGE OF THE ITEMS COVERED BY THIS APPENDIX SHALL BE ACCOMPLISHED IN ACCORDANCE WITH AMC ( DARCOM ) DRAWINGS IDENTIFIED WITHIN DA PAMPHLET 75-5.
- D. IF ITEMS COVERED HEREIN ARE UNITIZED PRIOR TO ISSUANCE OF THIS APPENDIX, THE BOXES NEED NOT BE REUNITIZED SOLELY TO CONFORM TO THIS APPENDIX.
- E. THE UNITIZATION PROCEDURES DEPICTED HEREIN MAY ALSO BE USED FOR UNITIZING 5,56 MM CARTRIDGES WHEN IDENTIFIED BY DIFFERENT NATIONAL STOCK NUMBERS ( NSN ) THAN WHAT IS SHOWN ON THE TITLE PAGE, PROVIDED THE BOX PACK DOES NOT VARY FROM WHAT IS DELINEATED HEREIN. THE EXPLOSIVE CLASSIFICATION OF OTHER ITEMS MAY BE DIFFERENT THAN WHAT IS SHOWN.

LOAD STRAP, 3/4" X .035" OR .031" X 13'-2" LONG STEEL STRAPPING ( 1 REQD ). SEE SPECIAL NOTE 1 AT RIGHT.

TIEDOWN STRAP, 3/4" X .035" OR .031" X 12'-11" LONG STEEL STRAPPING ( 2 REQD ). SEE SPECIAL NOTE 3 AT RIGHT.

**SPECIAL NOTES:**

1. THE LOAD STRAP MUST BE THREADED THROUGH THE STRAP SLOT OF THE PALLET. THE LOAD STRAP MUST BE TENSIONED AND SEALED PRIOR TO THE APPLICATION OF THE HORIZONTAL STRAP.
2. INSTALL HORIZONTAL STRAP TO ENCIRCLE THE PALLET BOX UNIT AS SHOWN. THE HORIZONTAL STRAP MUST BE TENSIONED AND SEALED PRIOR TO APPLICATION OF TIEDOWN STRAPS.
3. INSTALL EACH TIEDOWN STRAP TO PASS UNDER THE TOP DECK BOARDS OF THE PALLET AND LOCATE AS SHOWN. TIEDOWN STRAPS MAY BE APPLIED BUT NOT TENSIONED UNTIL THE HORIZONTAL AND LOAD STRAPS HAVE BEEN INSTALLED, TENSIONED AND SEALED.



**PALLET UNIT A**

SEE GENERAL NOTE "B" ON PAGE 2.

48 BOXES OF 5.56 MM CARTRIDGES ( 2000 PER BOX ) @ 24 LBS ----- 1,152 LBS ( APPROX )  
 DUNNAGE ----- 4 LBS  
 WIREBOUND PALLET BOX ----- 119 LBS

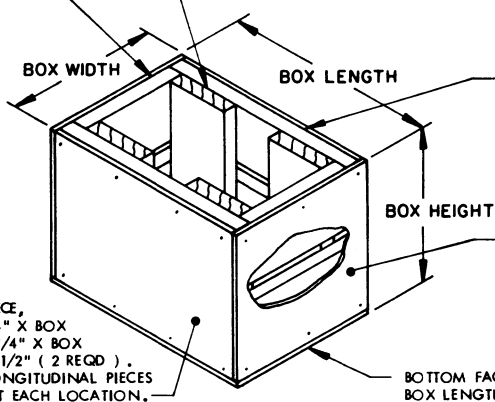
TOTAL WEIGHT ----- 1,275 LBS ( APPROX )  
 CUBE ----- 31.3 CU FT ( APPROX )

**BILL OF MATERIAL ( UNIT A )**

WIREBOUND PALLET BOX ----- 1 REQD -----	119 LBS
STEEL STRAPPING, 3/4" ----- 52.25' REQD -----	3,73 LBS
SEAL FOR 3/4" STRAPPING ----- 4 REQD -----	NIL

LATERAL PIECE, 1" X 4" X BOX WIDTH MINUS 2" ( 4 REQD ). NAIL TO THE VERTICAL PIECES W/2-6d NAILS AT EACH END.

VERTICAL PIECE, 1" X 4" X BOX HEIGHT MINUS 1/4" ( 4 REQD ).



LONGITUDINAL PIECE, 1" X 4" X BOX LENGTH MINUS 1/2" ( 4 REQD ). NAIL TO THE VERTICAL PIECES W/2-6d NAILS AT EACH JOINT.

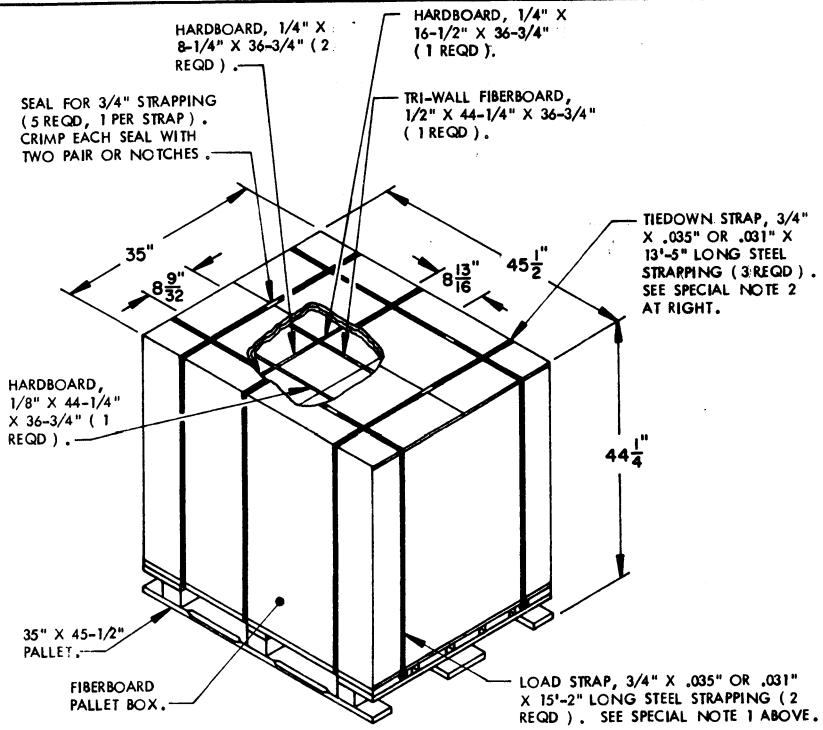
END FACING PIECE, HARDBOARD, BOX HEIGHT MINUS 1/4" X BOX WIDTH ( 2 REQD ). NAIL TO THE LONGITUDINAL PIECES W/1-4d NAIL AT EACH LOCATION AND TO THE LATERAL PIECES W/1-4d NAIL TO EACH LOCATION.

SIDE FACING PIECE, HARDBOARD, 1/4" X BOX HEIGHT MINUS 1/4" X BOX LENGTH MINUS 1/2" ( 2 REQD ). NAIL TO THE LONGITUDINAL PIECES W/4-4d NAILS AT EACH LOCATION.

BOTTOM FACING PIECE, HARDBOARD, 1/4" X BOX LENGTH X BOX WIDTH ( 1 REQD ). NAIL TO THE LONGITUDINAL PIECES W/4-4d NAILS EACH AND TO THE LATERAL PIECES W/2-4d NAILS EACH.

**FILLER ASSEMBLY**

( FOR MINUS ONE BOX )



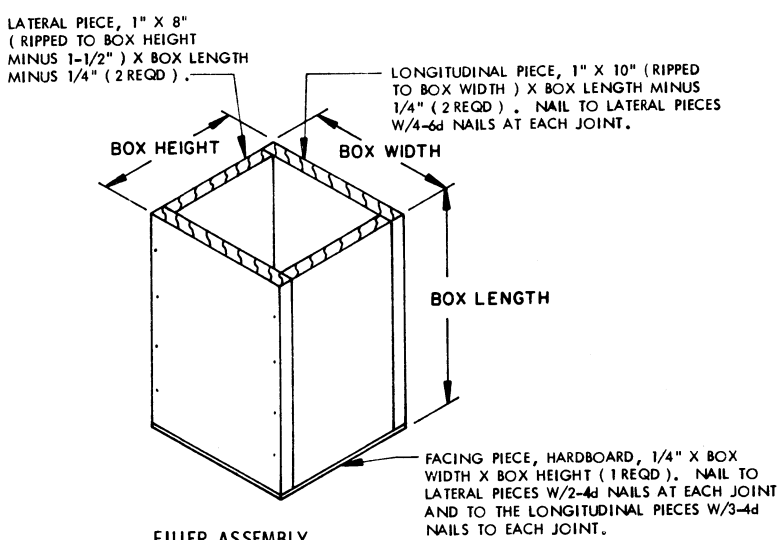
- SPECIAL NOTES:**
1. THE LOAD STRAPS MUST BE THREADED THROUGH THE STRAP SLOTS OF THE PALLET AS SHOWN.
  2. INSTALL EACH TIEDOWN STRAP TO PASS UNDER THE TOP DECK BOARDS OF THE PALLET. TIEDOWN STRAPS MAY BE APPLIED BUT NOT TENSIONED UNTIL THE LOAD STRAPS HAVE BEEN TENSIONED AND SEALED.

**PALLET UNIT B**

SEE GENERAL NOTE "B" ON PAGE 2.

60 BOXES OF 5.56 MM CARTRIDGES (2000 PER BOX) @ 24 LBS	-----	1,440 LBS (APPROX)
DUNNAGE	-----	23 LBS
FIBERBOARD PALLET BOX	-----	104 LBS
TOTAL WEIGHT		----- 1,567 LBS (APPROX)
CUBE		----- 40.8 CU FT (APPROX)

BILL OF MATERIAL (UNIT B)			
FIBERBOARD PALLET BOX	----- 1 REQD	-----	104 LBS
STEEL STRAPPING, 3/4"	----- 70.58' REQD	-----	5.04 LBS
SEAL FOR 3/4" STRAPPING	----- 5 REQD	-----	NIL
HARDBOARD, 1/8"	----- 11.29 SQ FT REQD	-----	4.94 LBS
HARDBOARD, 1/4"	----- 8.42 SQ FT REQD	-----	7.37 LBS
TRI-WALL, 1/2"	----- 11.29 SQ FT REQD	-----	5.10 LBS



**FILLER ASSEMBLY**  
(FOR MINUS ONE BOX)