

# APPENDIX 70

## UNITIZATION PROCEDURES FOR BOXED AMMUNITION AND COMPONENTS ON SKIDDED BASES

66MM ROCKET, M74, INCENDIARY, 4-ROUND CLIP,  
PACKED FOUR CLIPS PER WIREBOUND OR PLYWOOD  
BOX, UNITIZED TWO BOXES PER 24" X 47" MODIFIED  
TYPE II SKID BASE; APPROX BOX SIZE 25 $\frac{1}{4}$ " L X  
24" W X 28" H

SKIDDED UNIT DATA ①						
ITEMS INCLUDED		HAZARD CLASSIFICATION				WEIGHT (LBS)
NSN	DODIC	DOT CLASS	CG CLASS	QD CLASS	COMP GROUP	
1340-						
00-132-0482	H110	A	II-J	(04) 1.2	L	294
00-169-5413	H110	A	II-J	(04) 1.2	L	294
00-169-5416	H110	A	II-J	(04) 1.2	L	294

① HAZARD CLASSIFICATION DATA CONTAINED IN THE ABOVE CHART IS FOR GUIDANCE AND INFORMATIONAL PURPOSES ONLY. VERIFICATION OF THE SPECIFIED DATA SHOULD BE MADE BY CONSULTING THE MOST RECENT JOINT HAZARD CLASSIFICATION SYSTEM LISTING OR OTHER APPROVED LISTING(S).

**NOTICE:** THIS APPENDIX CANNOT STAND ALONE BUT MUST BE USED IN CONJUNCTION WITH THE BASIC UNITIZATION PROCEDURES DRAWING 19-48-4138-20PA1000.

### REVISIONS

REVISION NO. 1, DATED AUGUST 1981, CONSISTS OF:

1. ADDING NATIONAL STOCK NUMBER TO "SKIDDED UNIT DATA" CHART.
2. UPDATING "QD CLASS" AND "COMP GROUP" IN "SKIDDED UNIT DATA" CHART.

REVISION NO. 2, DATED JUNE 1984, CONSISTS OF:

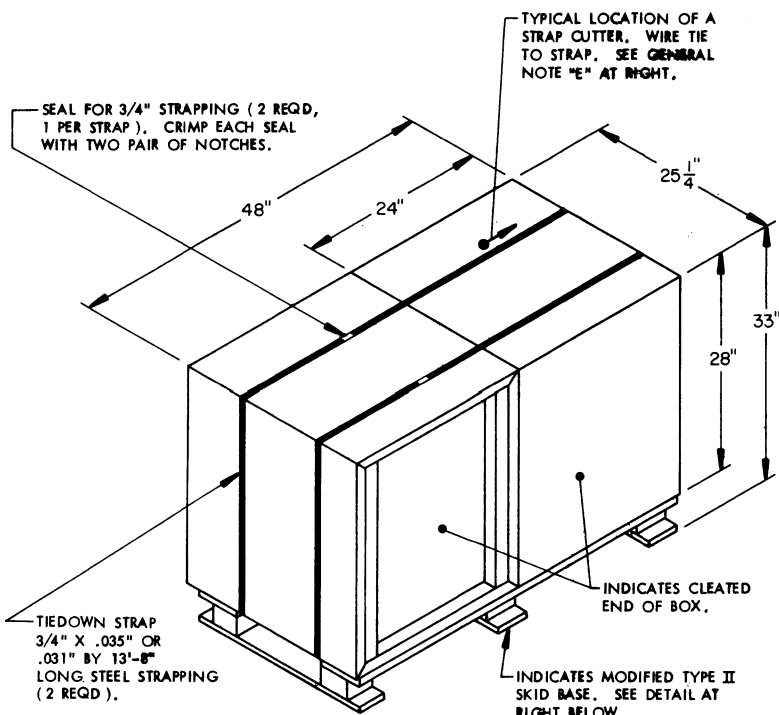
1. ADDING ITEM BY NATIONAL STOCK NUMBER TO "SKIDDED UNIT DATA" CHART.

**DO NOT SCALE**

REVISIONS				DRAFTSMAN GRG/mex	PROJ ENG MWD/NEW
1	AUG 81	WRT TIN	DRAFTSMAN MEX	PROJ ENG MWD	CHECKER MWD
APPROVED, U. S. ARMY ARMAMENT COMMAND				APPROVED BY ORDER OF COMMANDING GENERAL, U. S. ARMY MATERIEL DEVELOPMENT AND READINESS COMMAND (DARCOM)	
2	JUN 84	WRT WPC	DRAFTSMAN MEX	PROJ ENG MWD	CHECKER MWD
APPROVED, U. S. ARMY ARMAMENT COMMAND				APPROVED BY ORDER OF COMMANDING GENERAL, U. S. ARMY MATERIEL DEVELOPMENT AND READINESS COMMAND (DARCOM)	
U. S. ARMY DARCOM DRAWING					
JANUARY 1977					
CLASS	DIVISION	DRAWING	FILE		
19	48	4138/70	20PA 1000		

**GENERAL NOTES**

- A. THIS APPENDIX, AS PREPARED, CANNOT STAND ALONE BUT MUST BE USED IN CONJUNCTION WITH THE BASIC UNITIZATION PROCEDURES DRAWING 19-48-4138-20PA1000. TO PRODUCE AN APPROVED SKIDDED UNIT LOAD, ALL PERTINENT PROCEDURES, SPECIFICATIONS AND CRITERIA SET FORTH WITHIN THE BASIC DRAWING WILL APPLY TO THE PROCEDURES DELINEATED IN THIS APPENDIX. ANY EXCEPTIONS TO THE BASIC PROCEDURES ARE SPECIFIED IN THIS APPENDIX.
- B. THE "MODIFIED SKID BASE" SHOWN BELOW WILL CONFORM TO THE SPECIFICATIONS APPLICABLE TO THE TYPE II SKID BASE DELINEATED IN THE BASIC PROCEDURES WITH THE FOLLOWING EXCEPTIONS:
  - 1. SINCE THIS APPENDIX APPLIES TO UNITIZATION OF WIREBOUND BOXES, THE SKID BASE MUST MEASURE 24" WIDE BY 47" LONG.
  - 2. SEVEN TOP DECK BOARDS OF NOMINAL 1" X 6" MATERIAL WILL BE USED.
  - 3. CAUTION: A TYPE I SKID BASE WILL NOT BE USED.
- C. THE FOLLOWING DARCOM DRAWINGS ARE APPLICABLE FOR OUTLOADING AND STORAGE OF THE ITEMS COVERED BY THIS APPENDIX.
  - CARLOADING ----- DRAWING 19-48-4123-5PA1003
  - TRUCKLOADING ---- DRAWING 19-48-4124-11PA1004
  - STORAGE ----- DRAWING 19-48-4125-1-2-14PA1003
- D. AS AN OPTION, FOR A SHIPMENT BY BOX CAR, TWO SKIDDED UNITS AS DEPICTED ON THIS PAGE CAN BE BUNDLED INTO A TWO-UNIT (4-BOX) CONFIGURATION AS SHOWN BELOW, TO FACILITATE UNLOADING OPERATIONS.
- E. FOR METHOD OF SECURING A STRAP CUTTER TO THE SKIDDED UNIT STRAP, SEE DARCOM DRAWING 19-48-4127-20P1000.
- F. IF, PRIOR TO ISSUANCE OF THIS APPENDIX, THE ITEMS COVERED HEREIN ARE UNITIZED INTO A 4-BOX UNIT ON A 50-1/2" X 48" SPECIAL PALLET, THE BOXES NEED NOT BE REUNITIZED SOLELY TO CONFORM TO THIS APPENDIX. HOWEVER, IT IS CONSIDERED MOST EFFECTIVE TO REUNITIZE THE 4-BOX UNITS INTO 2-BOX UNITS AS DEPICTED HEREIN WHEN A LOAD OF 72 OR MORE BOXES (36 OR MORE 2-BOX UNITS) IS TO BE SHIPPED BY VAN TRAILER. ALSO, IF ITEMS ARE TO BE STORED IN IGLOO MAGAZINES WHICH HAVE SINGLE DOOR OPENINGS, THE 4-BOX UNITS MUST BE REUNITIZED INTO 2-BOX UNITS TO PERMIT ACCESS TO SUCH IGLOOS.
- G. THE UNITIZATION PROCEDURES DEPICTED HEREIN MAY ALSO BE USED FOR UNITIZING 66MM ROCKETS WHEN IDENTIFIED BY A DIFFERENT NATIONAL STOCK NUMBER (NSN) THAN THAT SHOWN ON THE COVER PAGE, PROVIDED THE BOX PACK DOES NOT VARY FROM THAT SHOWN HEREIN. THE EXPLOSIVE CLASSIFICATION OF OTHER ITEMS MAY BE DIFFERENT THAN THAT SHOWN.



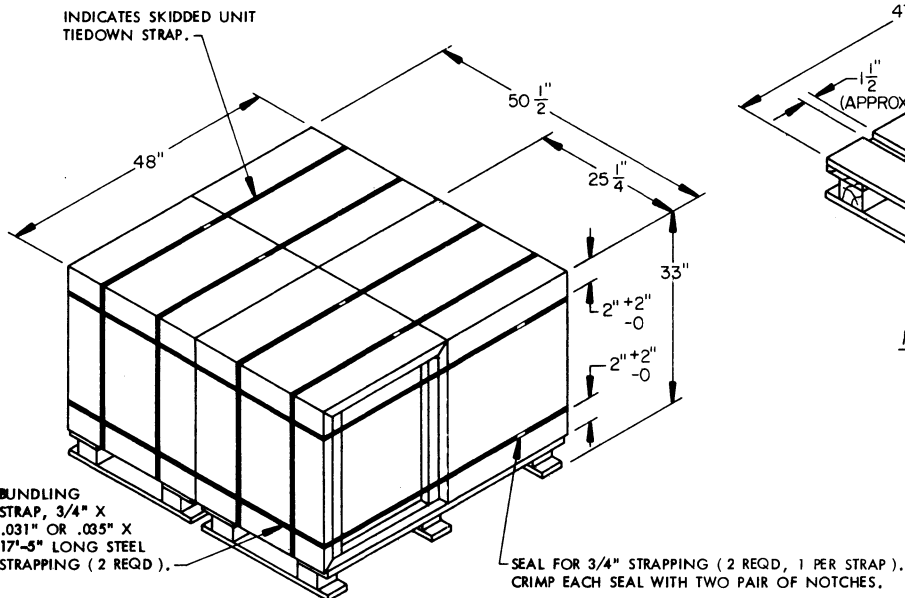
**SKIDDED UNIT**

2 BOXES ( 66 MM ROCKET; 16 PER BOX ) @ 132 LBS -- 264 LBS ( APPROX )  
 DUNNAGE ----- 2 LBS  
 SKID BASE ----- 28 LBS

TOTAL WEIGHT ----- 294 LBS ( APPROX )

CUBE ----- 23.1 CU FT ( APPROX )

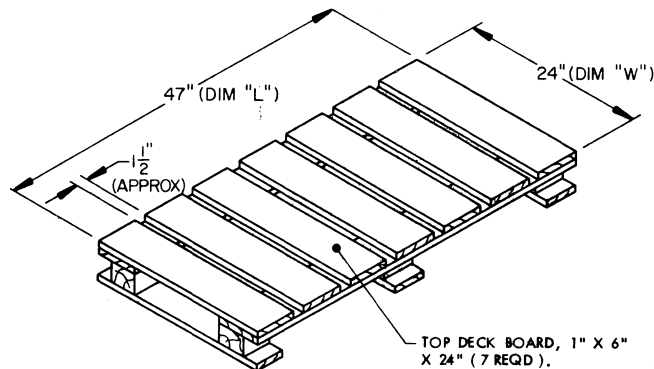
BILL OF MATERIAL			
SKID BASE, 24" X 47"	1 REQD	-----	28 LBS
STEEL STRAPPING, 3/4"	27,33' REQD	-----	1,95 LBS
SEAL FOR 3/4" STRAPPING	2 REQD	-----	NIL



**TWO SKIDDED UNITS BUNDLED**

TOTAL WEIGHT ----- 591 LBS ( APPROX )  
 CUBE ----- 46.2 CU FT ( APPROX )

SEE GENERAL NOTE "D" ABOVE.



**MODIFIED TYPE II SKID BASE**

SEE GENERAL NOTE "B" ABOVE.