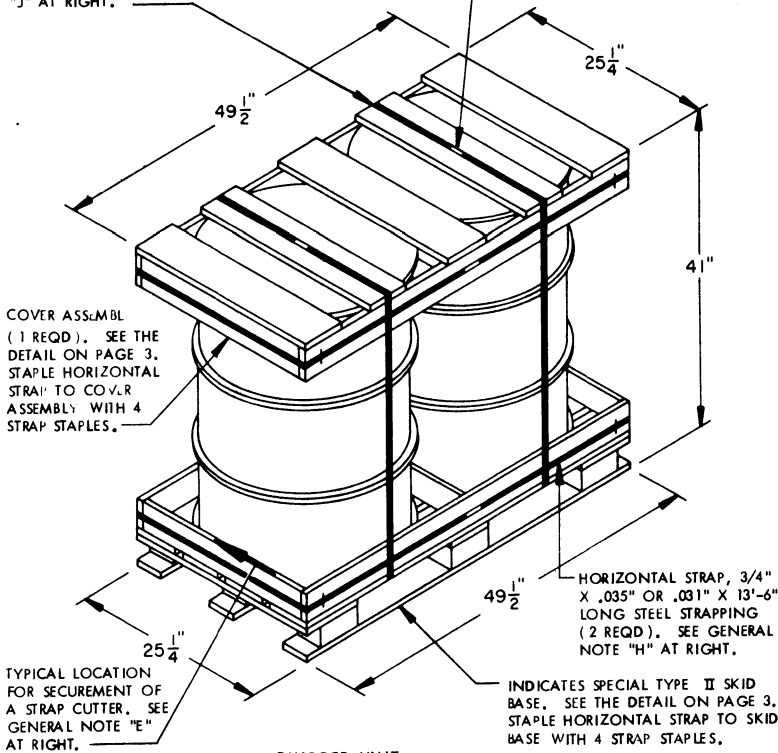


TIEDOWN STRAP, 3/4" X .035" OR .031" X 11'-3" LONG STEEL STRAPPING (2 REQD). SEE GENERAL NOTE "J" AT RIGHT.

SEAL FOR 3/4" STRAPPING (4 REQD, 1 PER STRAP). CRIMP EACH SEAL WITH TWO PAIR OF NOTCHES.



SKIDDED UNIT

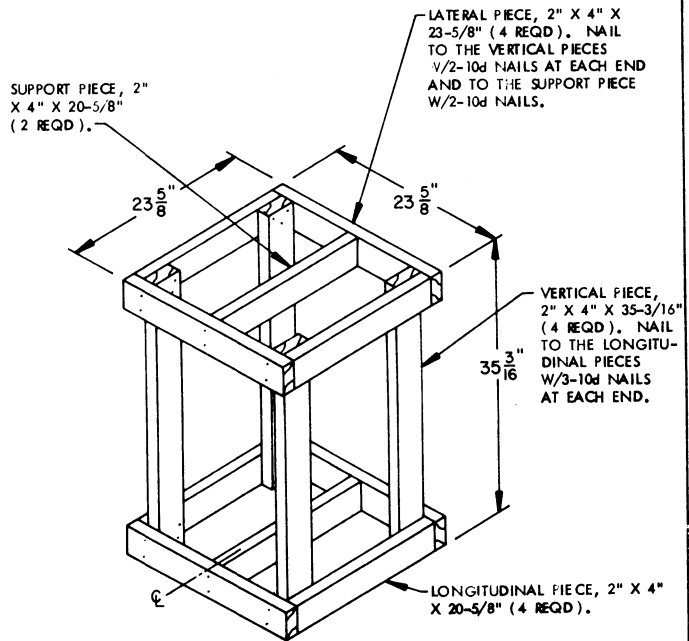
SEE GENERAL NOTE "B" AT RIGHT.

2 DRUMS (SIMULATOR; 1 PER DRUM)	104 LBS	208 LBS (APPROX)
DUNNAGE		24 LBS
SKID BASE		79 LBS
TOTAL WEIGHT		311 LBS (APPROX)
CUBE		29.7 CU FT (APPROX)

BILL OF MATERIAL		
LUMBER	LINEAR FEET	BOARD FEET
1" X 4"	14.19	4.73
1" X 6"	10.52	5.26
NAILS	NO. REQD	POUNDS
6d (2")	43	0.28
SKID BASE, 25-1/4" X 49-1/2"	1 REQD	79 LBS
STEEL STRAPPING, 3/4"	49.50' REQD	3.54 LBS
SEAL FOR 3/4" STRAPPING	4 REQD	NIL
STAPLE	8 REQD	NIL

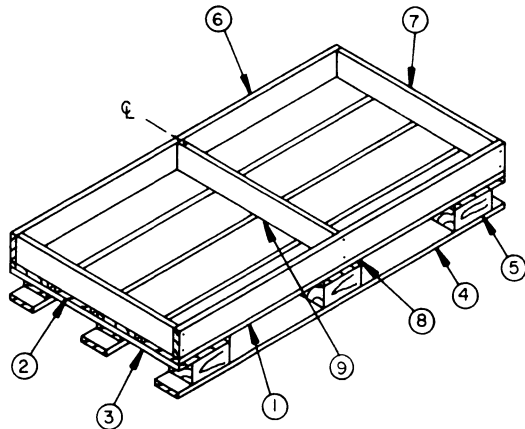
GENERAL NOTES

- A. THIS APPENDIX CANNOT STAND ALONE BUT MUST BE USED IN CONJUNCTION WITH THE BASIC UNITIZATION PROCEDURES DRAWING 19-48-4138-20PA1000. TO PRODUCE AN APPROVED UNIT LOAD, ALL PERTINENT PROCEDURES, SPECIFICATIONS AND CRITERIA SET FORTH WITHIN THE BASIC DRAWING WILL APPLY TO THE PROCEDURES DELINEATED IN THIS APPENDIX. ANY EXCEPTIONS TO THE BASIC PROCEDURES ARE SPECIFIED IN THIS APPENDIX.
- B. THE UNITIZATION PROCEDURES DEPICTED IN THIS DRAWING WILL REQUIRE THE USE OF A "SPECIAL TYPE II SKID BASE". SPECIFICATIONS PERTAINING TO THE TYPE II SKID BASE DELINEATED IN THE BASIC PROCEDURES WILL BE FOLLOWED, AS APPLICABLE. SEE THE "SPECIAL TYPE II SKID BASE" DETAIL AND KEY NUMBERS ON PAGE 3.
- C. ONLY THE "SPECIAL TYPE II SKID BASE" WILL BE USED TO ASSEMBLE THIS UNIT. THE "W" DIMENSION WILL BE 49-1/2" AND THE "L" DIMENSION WILL BE 25-1/4". **CAUTION:** A TYPE I SKID BASE WILL NOT BE USED.
- D. THE FOLLOWING DARCOM DRAWINGS ARE APPLICABLE FOR OUT-LOADING AND STORAGE OF THE ITEMS COVERED BY THIS APPENDIX.
 - CARLOADING ----- DRAWING 19-48-4123-5PA1003
 - TRUCKLOADING ---- DRAWING 19-48-4124-11PA1004
 - STORAGE ----- DRAWING 19-48-4125-1-2-14PA1003
- E. FOR METHOD OF SECURING A STRAP CUTTER TO THE SKIDDED UNIT, SEE DARCOM DRAWING 19-48-4127-20P1000.
- F. THE UNITIZATION PROCEDURES DEPICTED HEREIN MAY ALSO BE USED FOR UNITIZING SIMULATORS WHEN IDENTIFIED BY DIFFERENT NATIONAL STOCK NUMBERS (NSN) THAN WHAT IS SHOWN ON THE TITLE PAGE, PROVIDED THE DRUM PACK DOES NOT VARY FROM WHAT IS DELINEATED HEREIN.
- G. DIMENSIONS, CUBE AND WEIGHT OF A SKIDDED UNIT WILL VARY SLIGHTLY DEPENDING UPON THE ACTUAL DIMENSIONS OF THE DRUMS AND THE WEIGHT OF THE SPECIFIC ITEM BEING UNITIZED.
- H. INSTALL EACH HORIZONTAL STRAP TO ENCIRCLE EACH DUNNAGE ASSEMBLY. HORIZONTAL STRAPS MUST BE TENSIONED AND SEALED PRIOR TO APPLICATION OF TIEDOWN STRAPS.
- J. INSTALL EACH TIEDOWN STRAP TO PASS UNDER THE TOP DECK BOARDS OF THE SKID BASE AND TO BE LOCATED AS SHOWN. TIEDOWN STRAPS WILL NOT BE APPLIED UNTIL THE HORIZONTAL STRAPS HAVE BEEN TENSIONED AND SEALED.



FILLER ASSEMBLY

(FOR MINUS ONE DRUM)



SPECIAL TYPE II SKID BASE

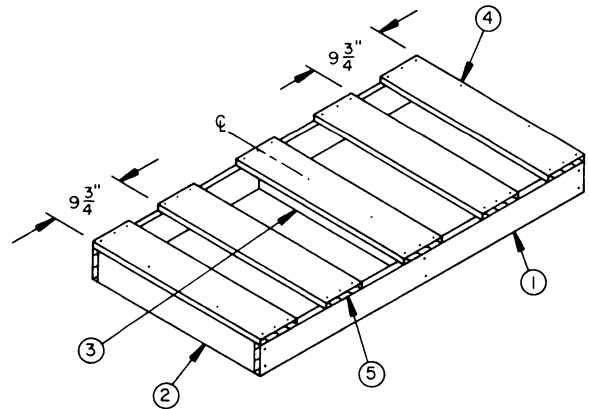
(SEE KEY NUMBERS AT RIGHT AND GENERAL NOTE "B" ON PAGE 2.)

KEY NUMBERS

- ① TOP DECK BOARD, 1" X 6" X 49-1/2" (2 REQD). NAIL TO LONGITUDINAL PIECE W/4-6d NAILS AND TO LATERAL PIECES W/2-6d NAILS AT EACH END. POSITION AS SHOWN AND NAIL THRU STRINGER PIECE INTO POST W/3 NAILS (TYPE II - STYLE 18) 3" TO 3-1/4" LONG X 0.135" DIA. AT EACH END USING A STAGGERED NAILING PATTERN.
- ② TOP DECK BOARD, 1" X 6" X 49-1/2" (2 REQD). NAIL TO LATERAL PIECES W/2-6d NAILS AT EACH END. POSITION AS SHOWN AND NAIL TO STRINGER PIECES W/3 NAILS (TYPE II - STYLE 18) 1-1/2" LONG X 0.120" DIA. AT EACH JOINT USING A STAGGERED NAILING PATTERN. NOTE: USE 3" TO 3-1/4" X 0.135" DIA. NAILS TO PENETRATE THE CENTER POST.
- ③ OUTSIDE STRINGER, 1" X 8" X 25-1/4" (2 REQD). POSITION AS SHOWN.
- ④ RUNNER, 1" X 4" X 49-1/2" (3 REQD). POSITION AS SHOWN AND NAIL TO POST W/4 NAILS (TYPE II - STYLE 18) 2-1/4" LONG X 0.120" DIA. AT EACH JOINT USING A STAGGERED NAILING PATTERN.
- ⑤ POST, 3-1/2" WIDE X 2-3/4" HIGH X 5-1/2" LONG (9 REQD).
- ⑥ LONGITUDINAL PIECE, 1" X 4" X 49-1/2" (2 REQD). NAIL TO THE LATERAL PIECES W/2-6d NAILS AT EACH END AND TO SPACER PIECE W/2-6d NAILS.
- ⑦ LATERAL PIECE, 1" X 4" X 23-3/4" (2 REQD).
- ⑧ CENTER STRINGER, 1" X 6" X 25-1/4" (1 REQD).
- ⑨ SPACER PIECE, 1" X 4" X 23-3/4" (1 REQD). POSITION AS SHOWN.

KEY NUMBERS

- ① LONGITUDINAL PIECE, 1" X 4" X 49-1/2" (2 REQD). NAIL TO THE LATERAL PIECES W/2-6d NAILS AT EACH END AND TO THE SPACER PIECE W/2-6d NAILS.
- ② LATERAL PIECE, 1" X 4" X 23-3/4" (2 REQD).
- ③ SPACER PIECE, 1" X 4" X 23-3/4" (1 REQD). POSITION AS SHOWN.
- ④ TIE PIECE, 1" X 6" X 25-1/4" (2 REQD). NAIL TO THE LATERAL PIECE W/2-6d NAILS AND TO THE LONGITUDINAL PIECES W/3-6d NAILS AT EACH END.
- ⑤ TIE PIECE, 1" X 6" X 25-1/4" (3 REQD). NAIL TO THE LONGITUDINAL PIECES W/3-6d NAILS AT EACH END AND TO THE SPACER PIECE W/2-6d NAILS, AS APPLICABLE.



COVER ASSEMBLY

(SEE KEY NUMBERS AT LEFT)

