

STORAGE IN APPROVED MAGAZINES OF THE WARHEAD SECTIONS, PACKED IN THE M544 STORAGE AND SHIPPING CONTAINER

INDEX

<u>ITEM</u>	<u>PAGE(S)</u>
GENERAL NOTES -----	- 2
DETAIL -----	- 3
STORAGE PROCEDURES (EARTH-COVERED MAGAZINES)	
81'-0", 60'-8" AND 40'-4" L X 26'-6" W X 12'-9" H IGLOO MAGAZINES -----	4, 5
81'-2" L X 26'-6" W X 12'-1-3/4" H ARCH TYPE MAGAZINE (IGLOO) -----	6, 7
80'-0" AND 40'-0" L X 25'-0" W X 12'-1-3/4" H ARCH TYPE MAGAZINES (IGLOO) -----	8, 9
80'-0" AND 40'-0" L X 25'-0" W X 11'-0" H ARCH TYPE MAGAZINES (IGLOO) -----	10, 11
80'-0" AND 40'-0" L X 25'-0" W X 10'-0" H ARCH TYPE MAGAZINES (IGLOO) -----	12, 13
80'-0" L X 25'-0" W X 14'-0" H STRADLEY AND 89'-0" L X 24'-10" W X 14'-4" H OVAL ARCH MAGAZINES -----	14, 15
52'-0" DIAMETER CORBETTA MAGAZINE -----	16, 17
100'-8" L X 50'-0" W RECTANGULAR MAGAZINE -----	18, 19
60'-0" L X 40'-0" W X 15'-0" H TYPE II BUNKER MAGAZINE -----	20, 21
60'-0" L X 40'-0" W X 11'-0" H TYPE III BUNKER MAGAZINE -----	22, 23
40'-0" L X 20'-0" W X 11'-0" H TYPE IX BUNKER MAGAZINE -----	24, 25

REVISIONS				DRAFTSMAN P.B.	PROJ ENG DAK	LOG ENGRS OFFICR JFS
1	MAR 80	JFS RSM	Lawrence Kuster	RSM	ANM	RN. [Signature]
2	APR 81	WJW WPE	[Signature] [Signature]			Lawrence Kuster
APPROVED, U. S. ARMY ARMAMENT MATERIEL READINESS COMMAND						
APPROVED BY ORDER OF COMMANDING GENERAL, U. S. ARMY MATERIEL DEVELOPMENT AND READINESS COMMAND (DARCOM)						
[Signature] U. S. ARMY DEFENSE AMMUNITION CENTER AND SCHOOL						
U. S. ARMY DARCOM DRAWING						
MARCH 1980						
CLASS	DIVISION	DRAWING	FILE			
19	48	4108	1-3-4-14 22J1001			

DO NOT SCALE

GENERAL NOTES

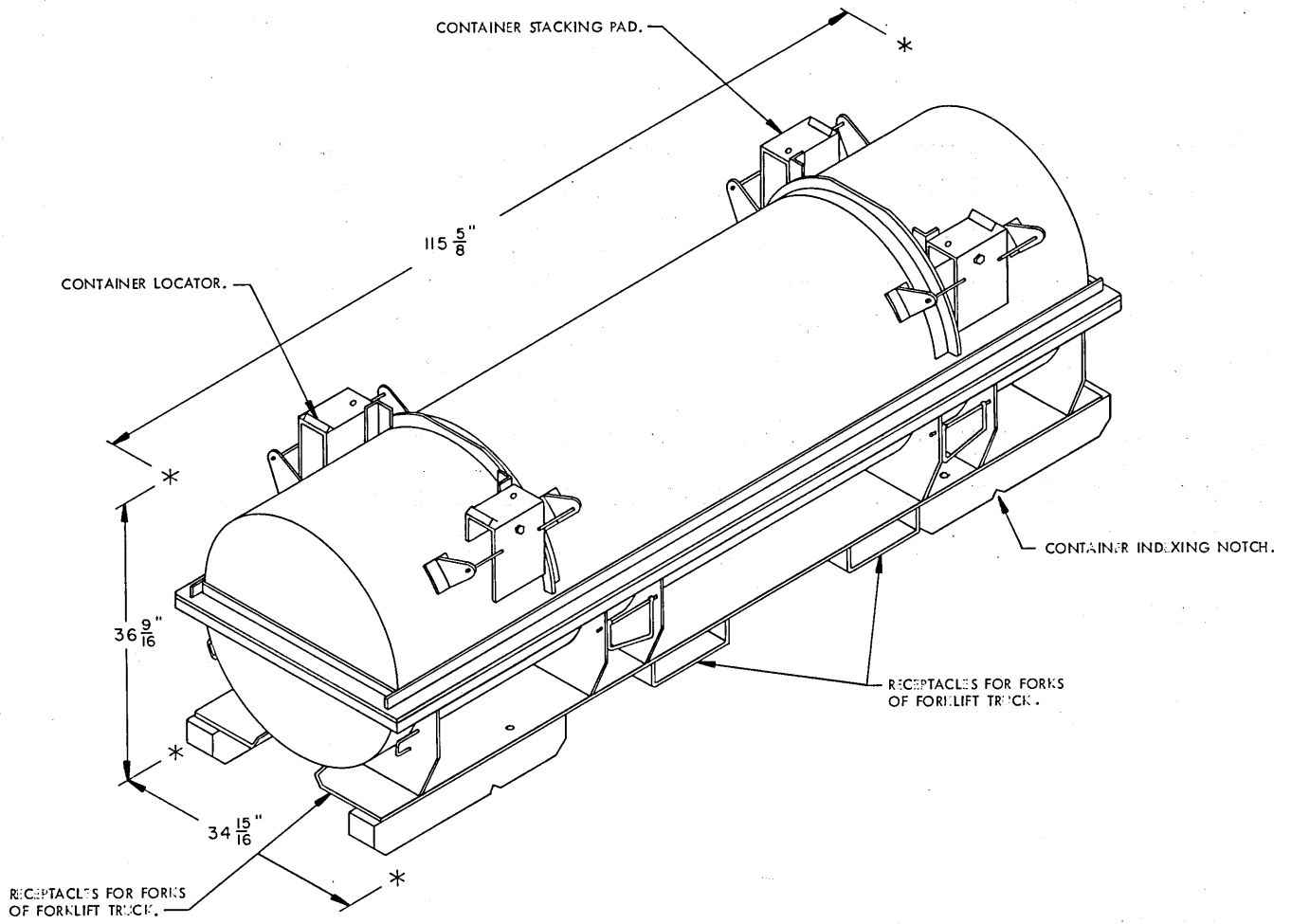
- A. THIS DOCUMENT HAS BEEN PREPARED AND ISSUED IN ACCORDANCE WITH AR 740-1 AND AUGMENTS TM 743-200-1 (CHAPTER 1).
- B. THE STORAGE PROCEDURES SPECIFIED HEREIN ARE APPLICABLE TO THE WARHEAD SECTION, WHEN PACKED IN THE M544 CONTAINER. SUBSEQUENT REFERENCE TO CONTAINER MEANS THE CONTAINER WITH CONTENTS.
- C. FOR DETAILS OF THE M544 CONTAINER, SEE DRAWING NO. F-9211120 AND CONTAINER DETAIL ON PAGE 3.
- CONTAINER DIMENSIONS --- 115-5/8" LONG X 34-15/16" WIDE X 36-9/16" HIGH.
GROSS WEIGHT ----- 1,900 POUNDS (APPROX).
- D. THE STORAGE PROCEDURES DEPICTED WITHIN THIS DOCUMENT ARE APPLICABLE FOR STORAGE IN VARIOUS TYPES AND SIZES OF MAGAZINES. THE STORAGE PROCEDURES DEPICTED FOR THE SPECIFIC TYPES OF MAGAZINES MAY ALSO BE UTILIZED TO STORE THE M544 CONTAINER IN OTHER TYPES OF APPROVED MAGAZINES. MINOR ADJUSTMENTS MAY BE MADE TO FACILITATE STORAGE IN OTHER TYPES OF MAGAZINES, HOWEVER, THE BASIC PRINCIPLES AS DEPICTED HEREIN WILL BE FOLLOWED.
- E. (DELETED BY REVISION 2).
- F. AISLE DIMENSIONS SHOWN HEREIN MAY BE ADJUSTED TO SUIT LOCAL CONDITIONS AND/OR AVAILABLE MATERIALS HANDLING EQUIPMENT (MHE).
- G. IF THE AVAILABLE MHE PERMITS, ADDITIONAL CONTAINERS MAY BE STORED IN THE FRONTAL AREA OF THE MAGAZINE.
- H. STORED CONTAINERS MUST NOT CONTACT THE WALL OF A MAGAZINE. TO PROVIDE FOR THIS MANDATORY CLEARANCE REQUIREMENT, THE SPACE AT THE SIDEWALLS OF THE MAGAZINE MAY BE ADJUSTED ACCORDINGLY, OR A CONTAINER MAY BE ELIMINATED FROM THE DEPICTED STACKING PATTERN AS NECESSARY.
- J. CAUTION: THE ALLOWABLE "EXPLOSIVE LIMIT" ESTABLISHED FOR A MAGAZINE IS NOT TO BE EXCEEDED.
- K. PORTIONS OF THE MAGAZINES, SUCH AS SIDEWALLS, END WALLS, AND ROOFS, HAVE NOT BEEN SHOWN IN THE STORAGE VIEWS FOR CLARITY PURPOSES.
- L. THE STORAGE PROCEDURES SHOWN ON PAGES 10 THRU 15 ARE BASED ON MAXIMUM SPACE UTILIZATION OF THE MAGAZINES. HOWEVER, END-HANDLING OF CONTAINER STACKS WILL BE REQUIRED FOR FINAL POSITIONING IN SOME OF THE ROWS AT ONE SIDE OF A MAGAZINE. THE HEIGHT OF THE CONTAINER STACKS TO BE END-HANDLED WILL BE DEPENDENT UPON THE MHE AND THE HANDLING CAPABILITIES OF THE INSTALLATION INVOLVED AND MAY THEREFORE, REDUCE THE QUANTITY OF CONTAINERS THAT CAN BE STORED IN A MAGAZINE.

REVISIONS

REVISION NO. 1 DATED MARCH 1980, CONSISTS OF:

1. INCREASING THE STACKING HEIGHT OF THE CONTAINERS.
2. ADDING PROCEDURES FOR STORAGE IN OTHER APPROVED MAGAZINES.
3. CHANGING PROCEDURES TO CONFORM TO CURRENT STANDARDS.

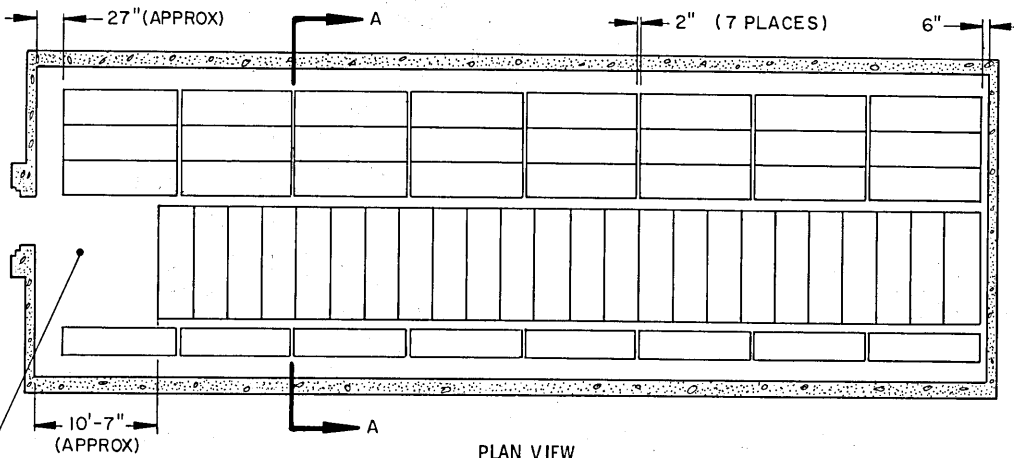
REVISION NO. 2 DATED APRIL 1981, CONSISTS OF DELETING GENERAL NOTE "E" IDENTIFYING ITEM QD CLASS AND COMPATIBILITY GROUP.



CONTAINER DETAIL

STORAGE IN 81'-0" MAGAZINE

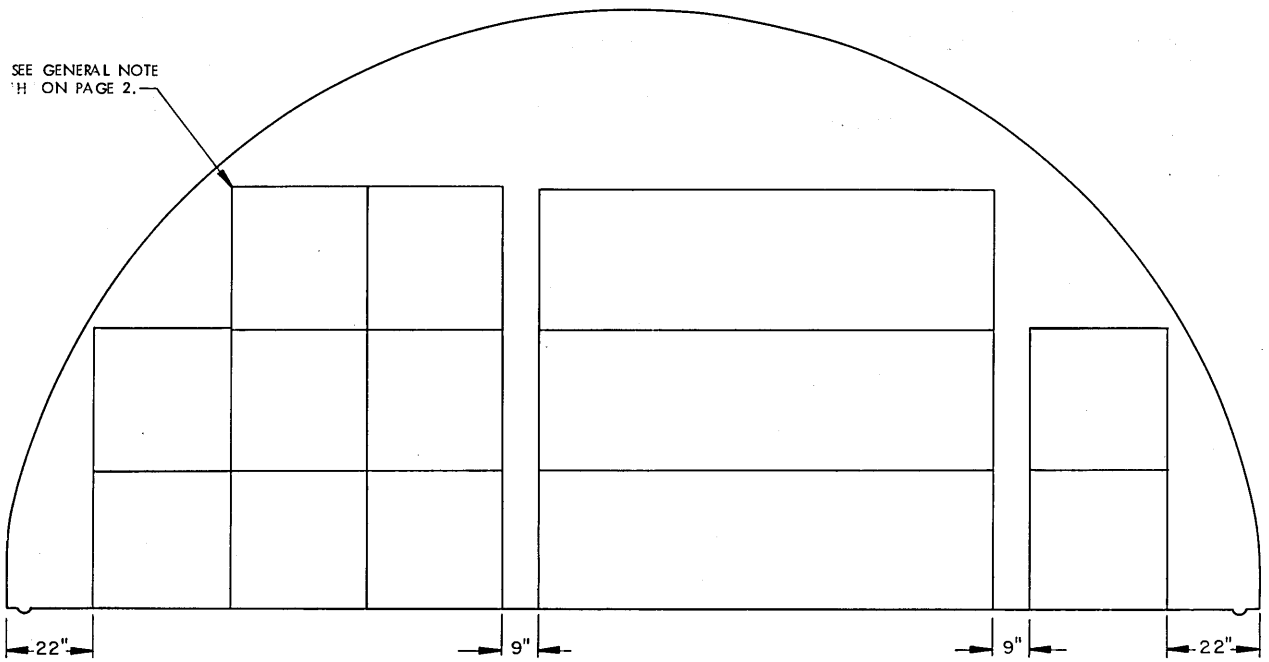
ITEM	QUANTITY
CONTAINER W/ MHD	----- 152



PLAN VIEW
(81'-0" MAGAZINE)

SEE GENERAL NOTE
"G" ON PAGE 2.

SEE GENERAL NOTE
"H" ON PAGE 2.



SECTION A-A

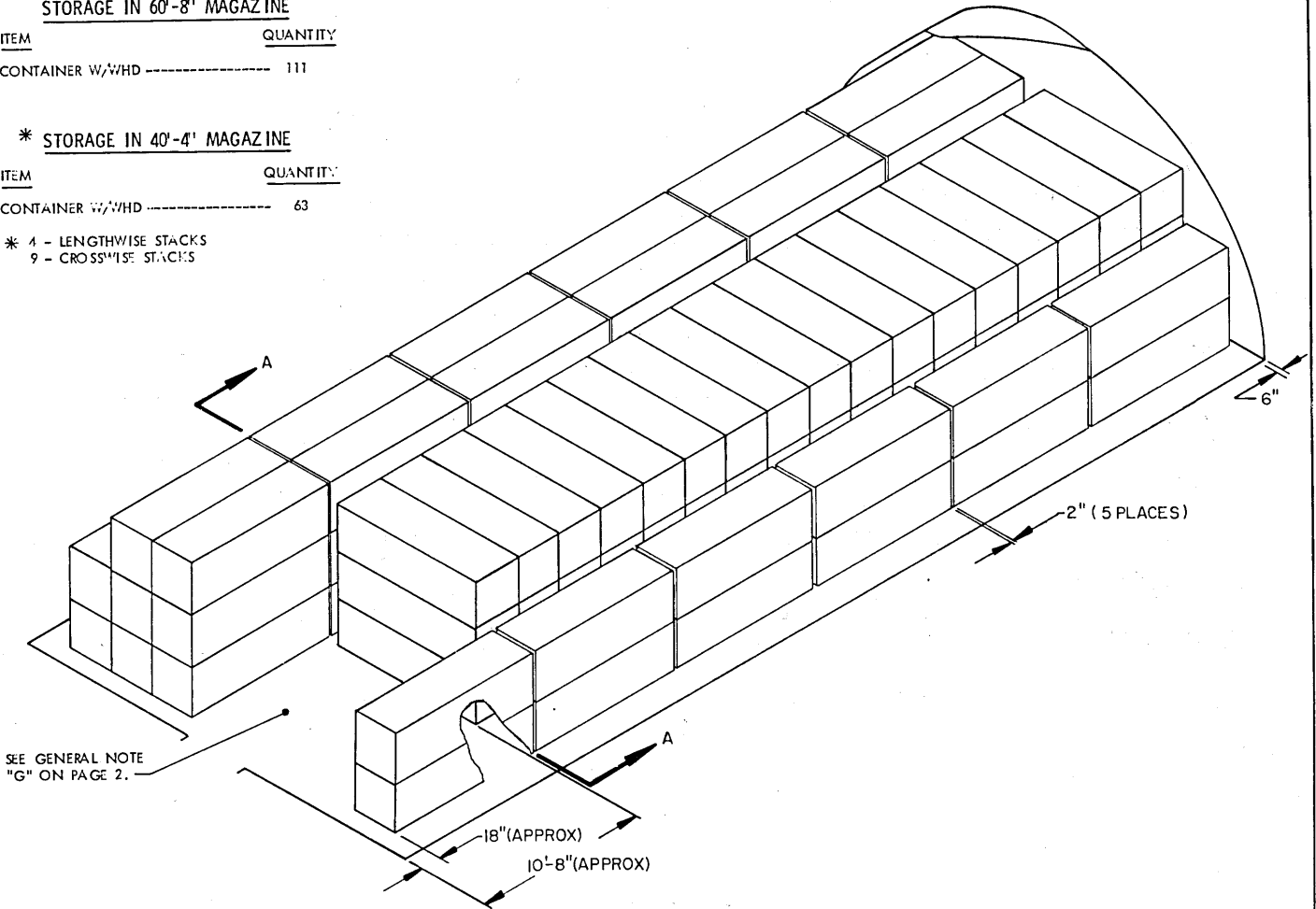
STORAGE IN 60'-8" MAGAZINE

<u>ITEM</u>	<u>QUANTITY</u>
CONTAINER W/WHD -----	111

* STORAGE IN 40'-4" MAGAZINE

<u>ITEM</u>	<u>QUANTITY</u>
CONTAINER W/WHD -----	63

- * 4 - LENGTHWISE STACKS
- 9 - CROSSWISE STACKS

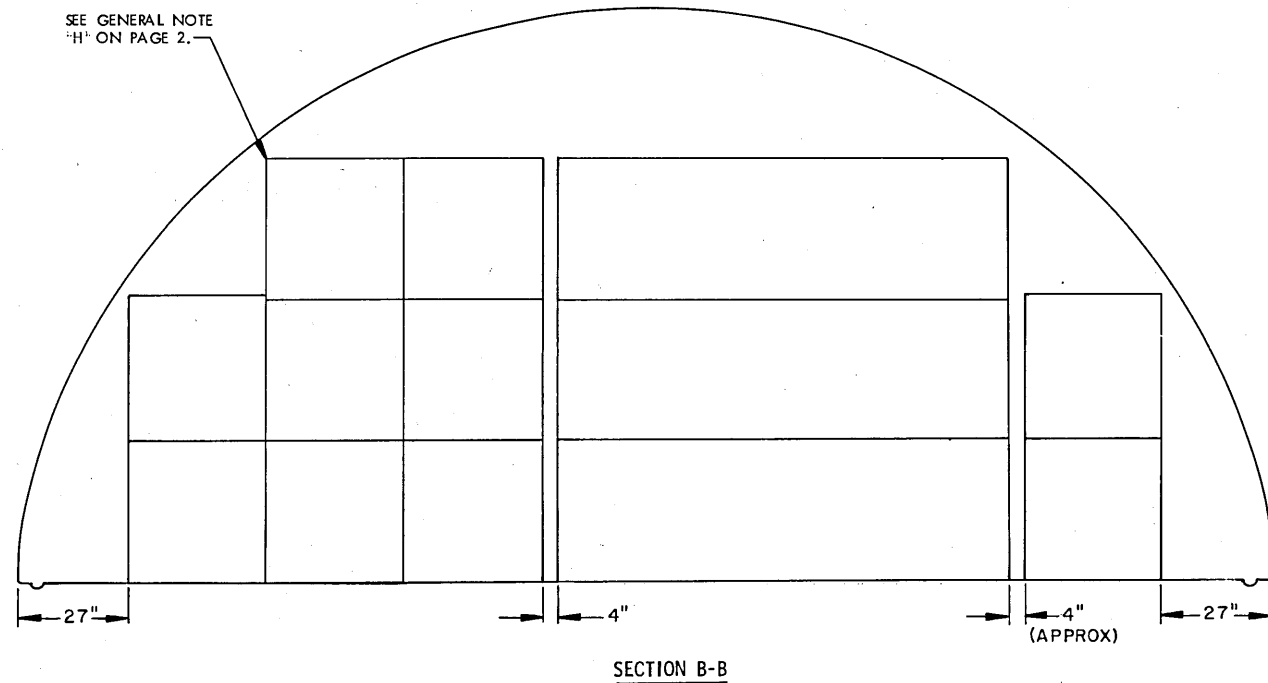
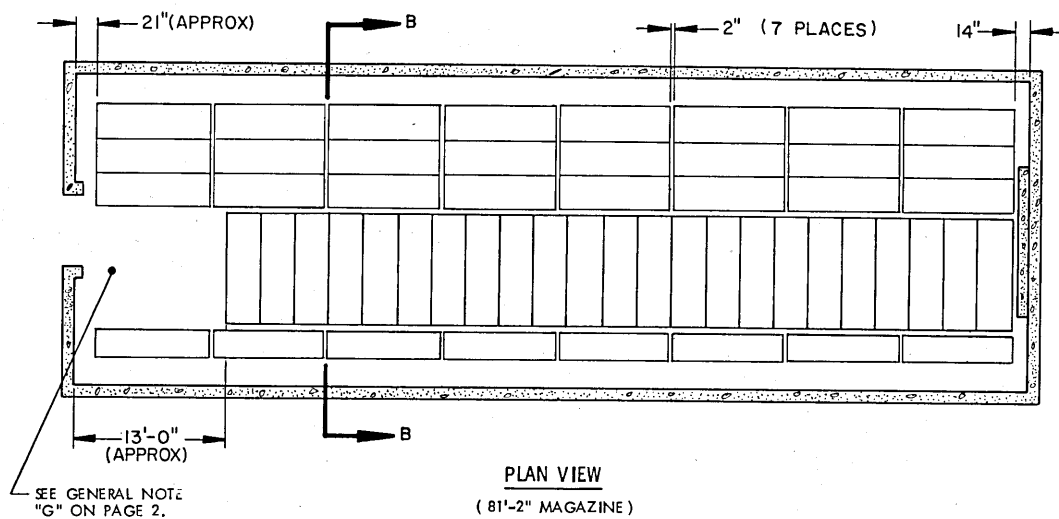


SEE GENERAL NOTE "G" ON PAGE 2.

ISOMETRIC VIEW

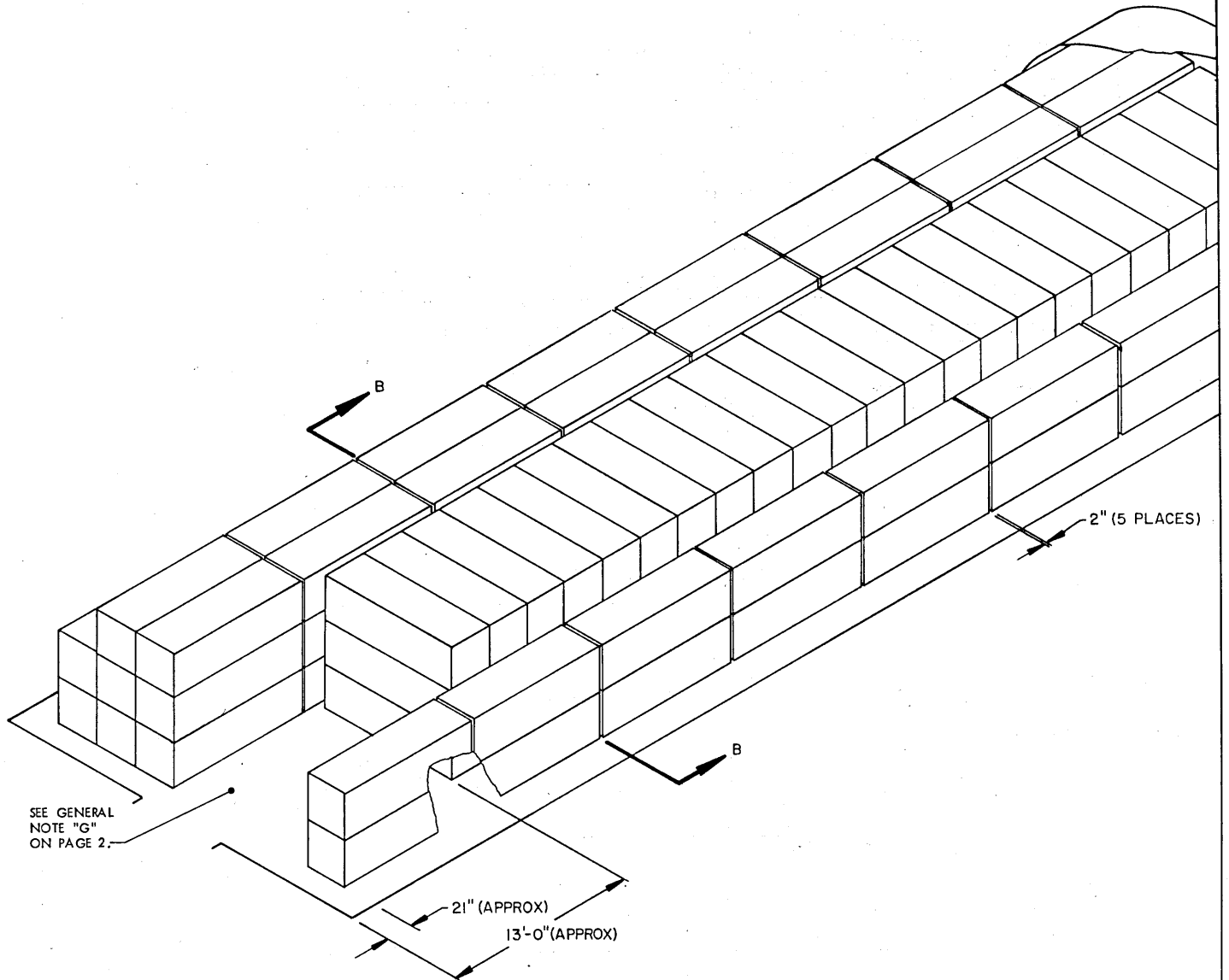
(60'-8" MAGAZINE)

FOR "GENERAL NOTES", SEE PAGE 2.



STORAGE IN 81'-2" MAGAZINE

ITEM _____ QUANTITY _____
CONTAINER W/WHD ----- 149

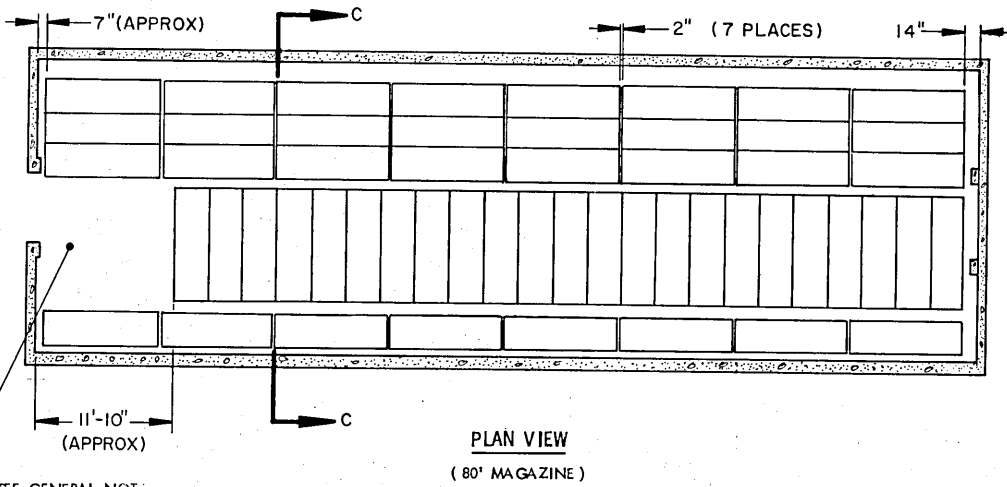


ISOMETRIC VIEW
(81'-2" MAGAZINE)

FOR "GENERAL NOTES", SEE PAGE 2.

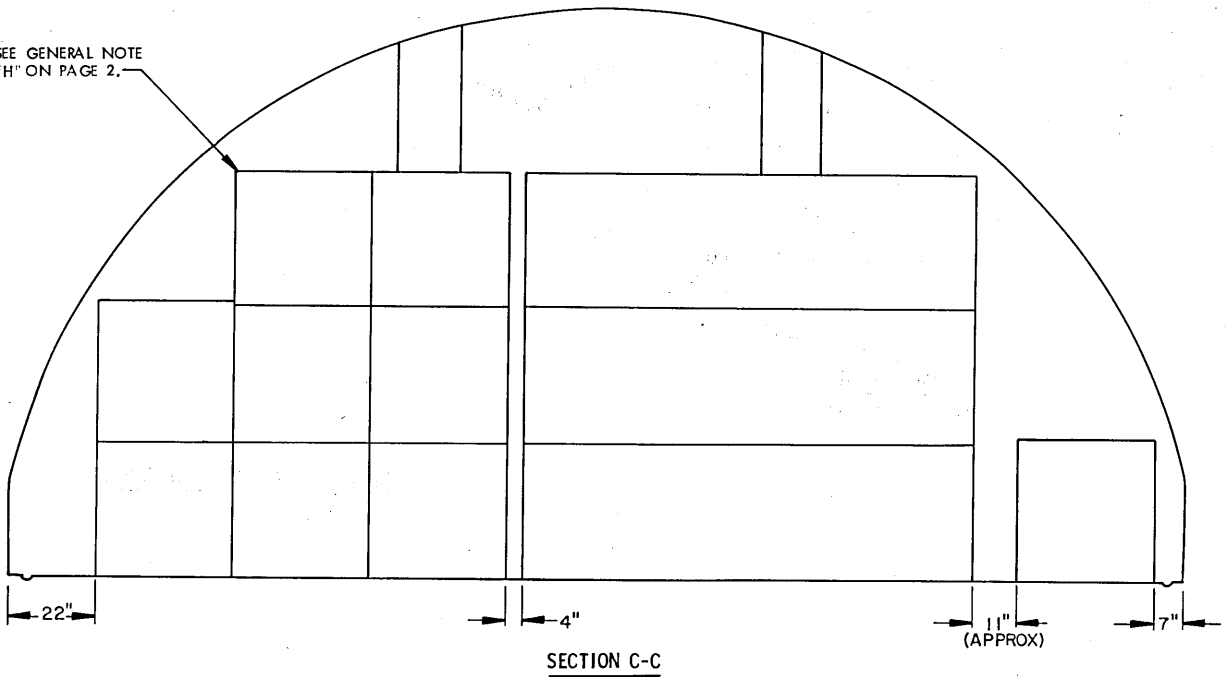
STORAGE IN 80' MAGAZINE
(12' HIGH)

ITEM	QUANTITY
CONTAINER W/WHD	141



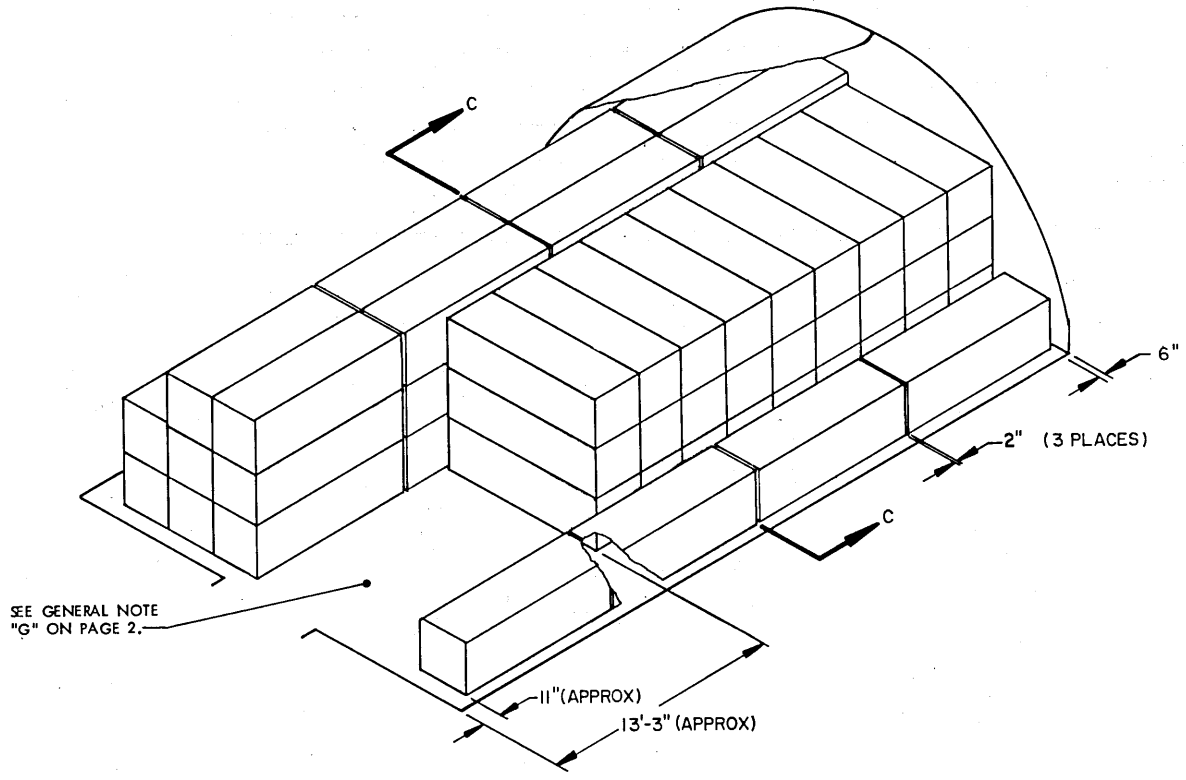
SEE GENERAL NOTE "G" ON PAGE 2.

SEE GENERAL NOTE "H" ON PAGE 2.



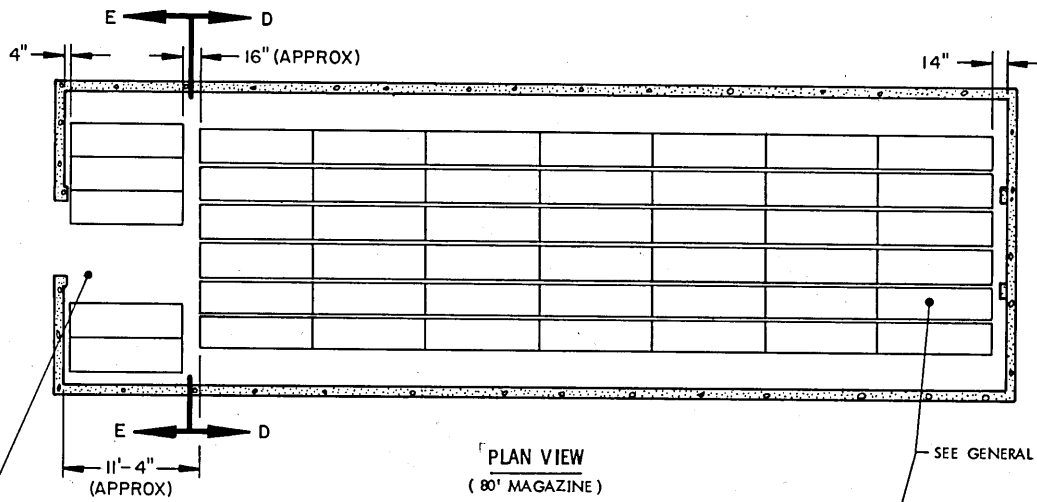
STORAGE IN 40' MAGAZINE
(12' HIGH)

<u>ITEM</u>	<u>QUANTITY</u>
CONTAINER W/WHD -----	63



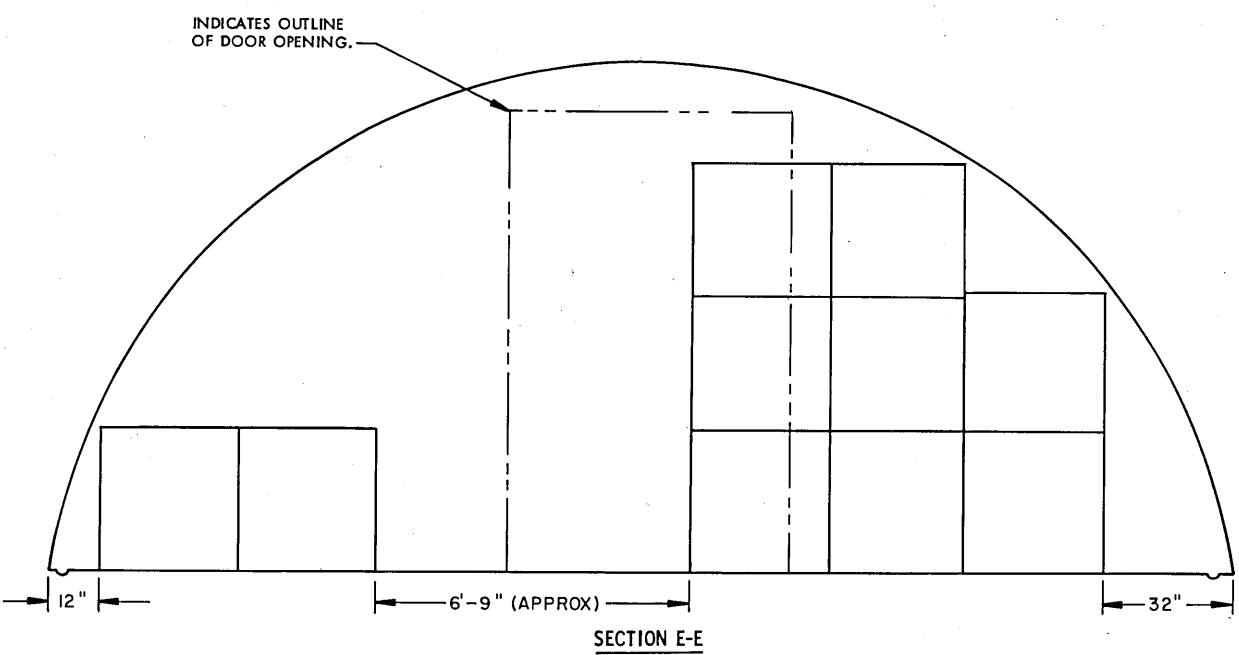
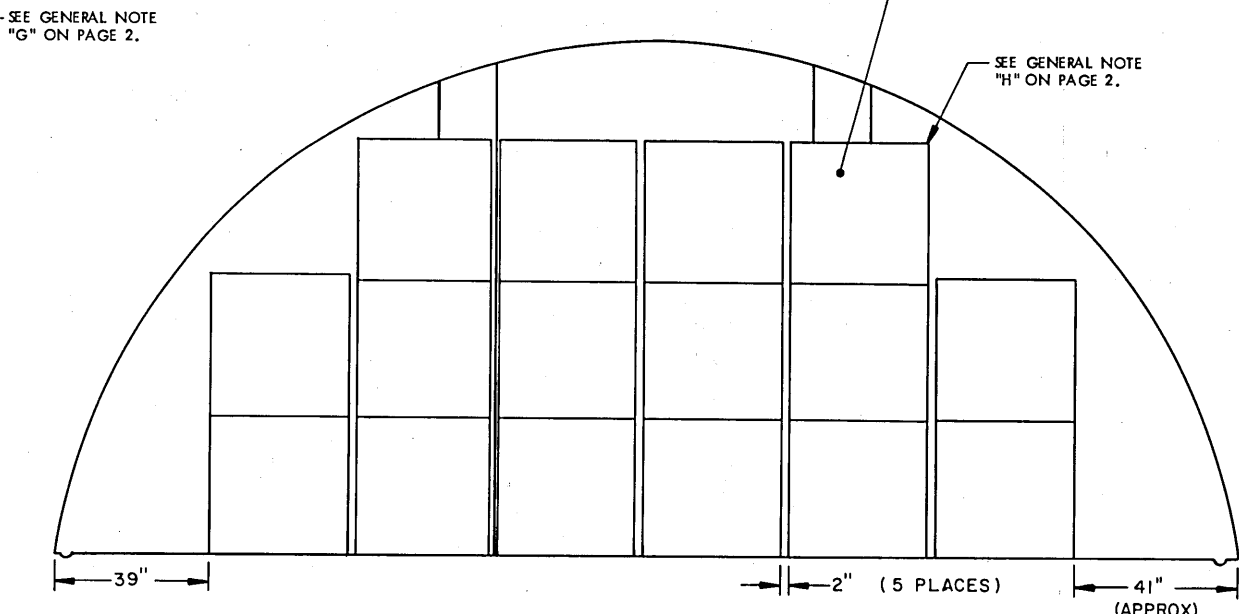
ISOMETRIC VIEW
(40' MAGAZINE)

FOR "GENERAL NOTES", SEE PAGE 2.



STORAGE IN 80' MAGAZINE
(11' HIGH)

ITEM	QUANTITY
CONTAINER W/WHD	122

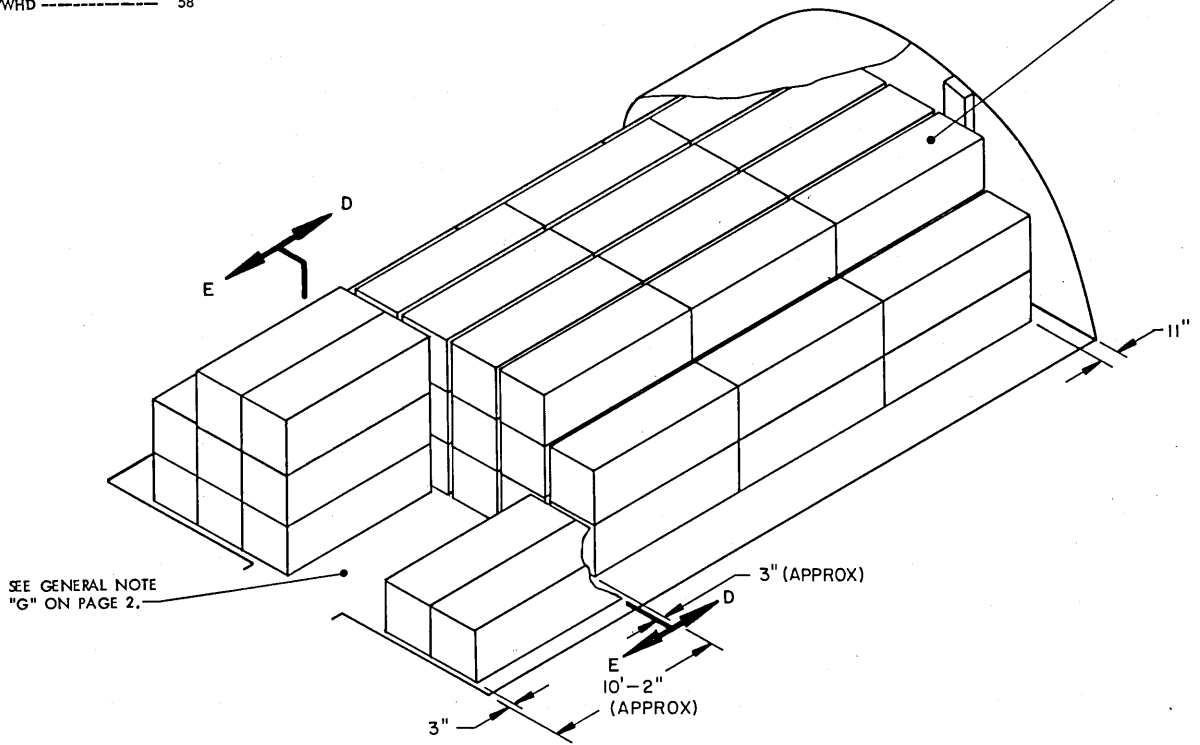


STORAGE IN 40' MAGAZINE

(11' HIGH)

<u>ITEM</u>	<u>QUANTITY</u>
CONTAINER W/WHD -----	58

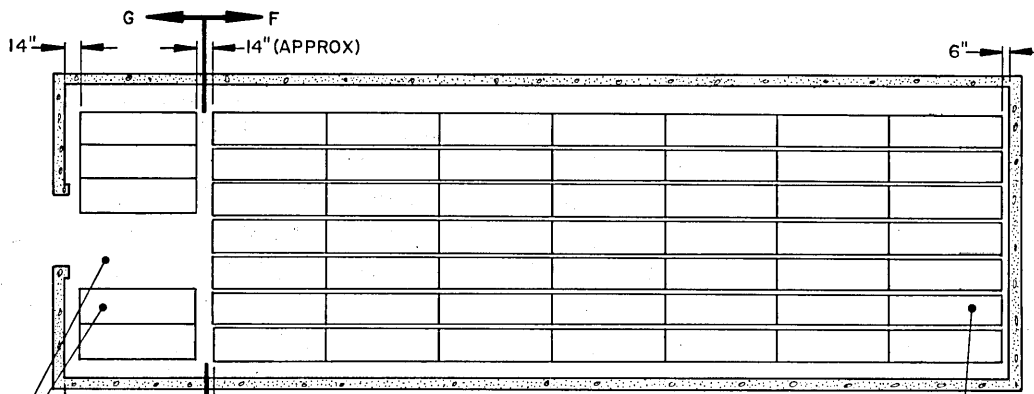
SEE GENERAL NOTE "L"
ON PAGE 2.



ISOMETRIC VIEW

(40' MAGAZINE)

FOR "GENERAL NOTES", SEE PAGE 2.



STORAGE IN 80' MAGAZINE

(10' HIGH)

ITEM	QUANTITY
CONTAINER W/WHD	106

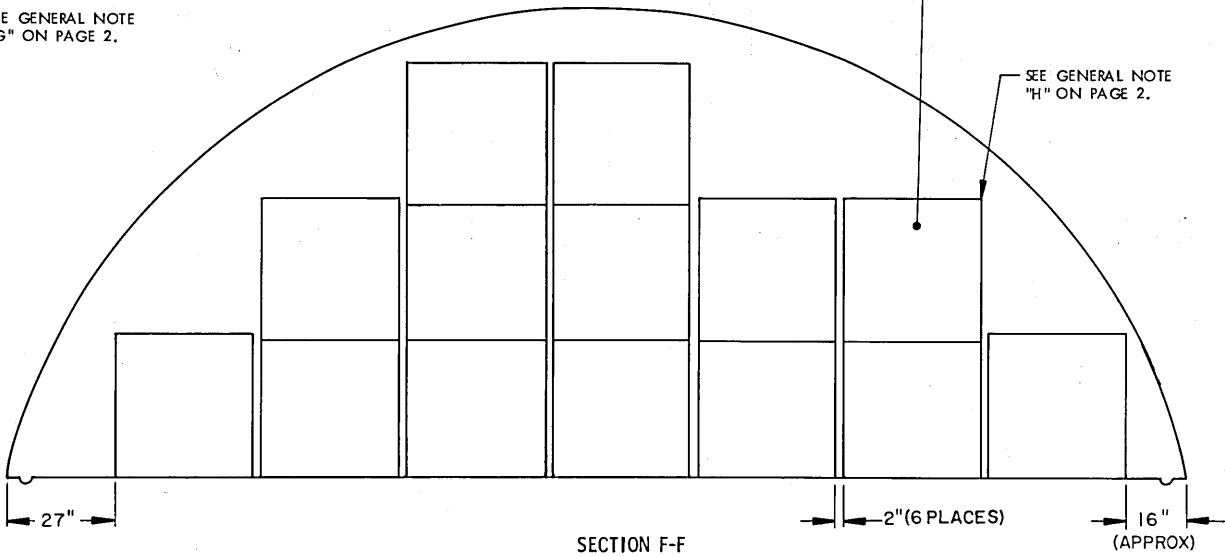
PLAN VIEW
(80' MAGAZINE)

SEE GENERAL NOTE "G" ON PAGE 2.

12'-0" (APPROX)

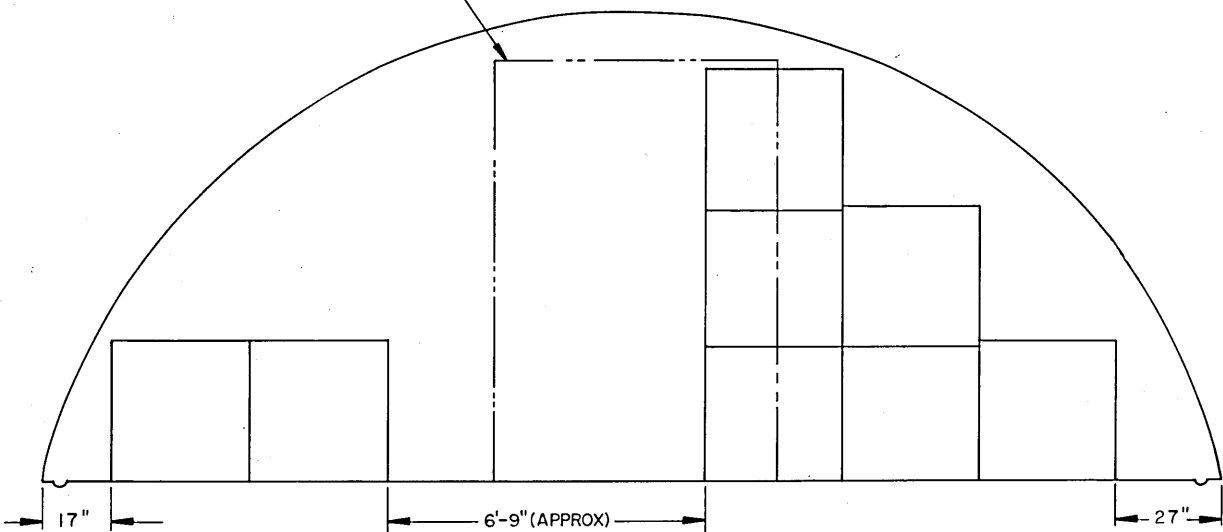
SEE GENERAL NOTE "L" ON PAGE 2.

SEE GENERAL NOTE "H" ON PAGE 2.



SECTION F-F

INDICATES OUTLINE OF DOOR OPENING.

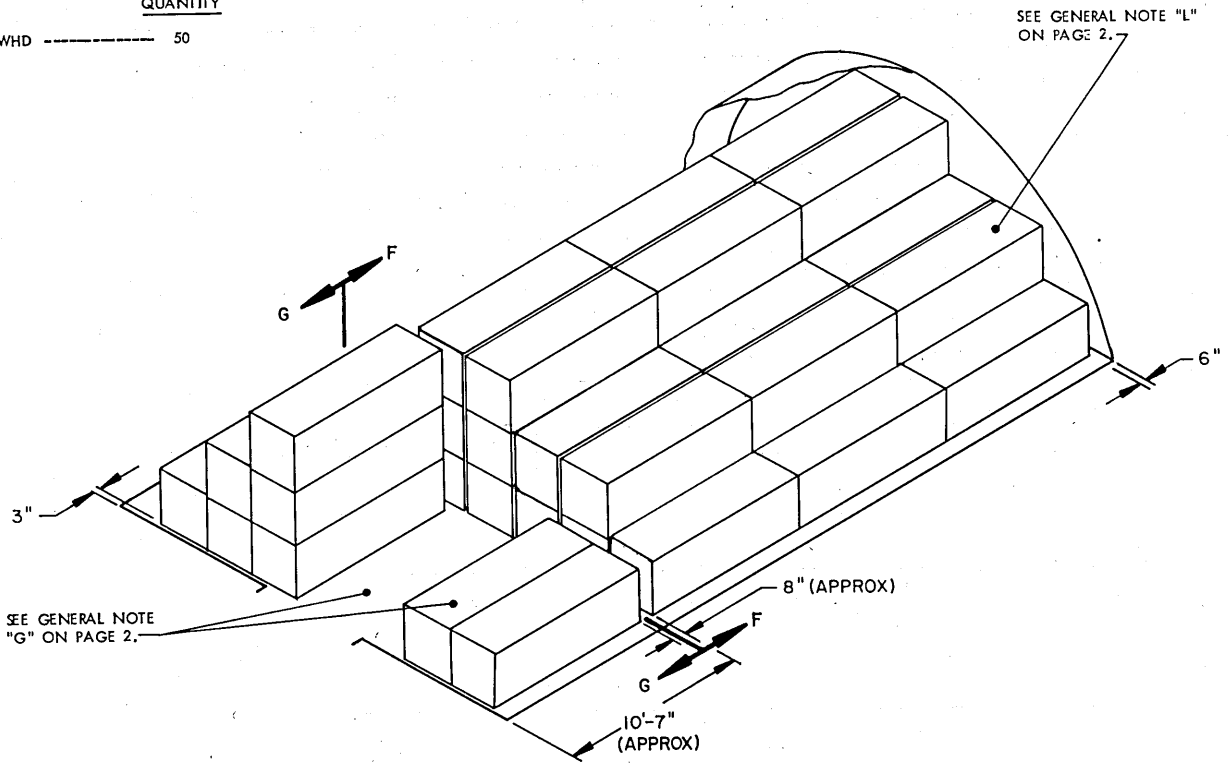


SECTION G-G

STORAGE IN 40' MAGAZINE

(10' HIGH)

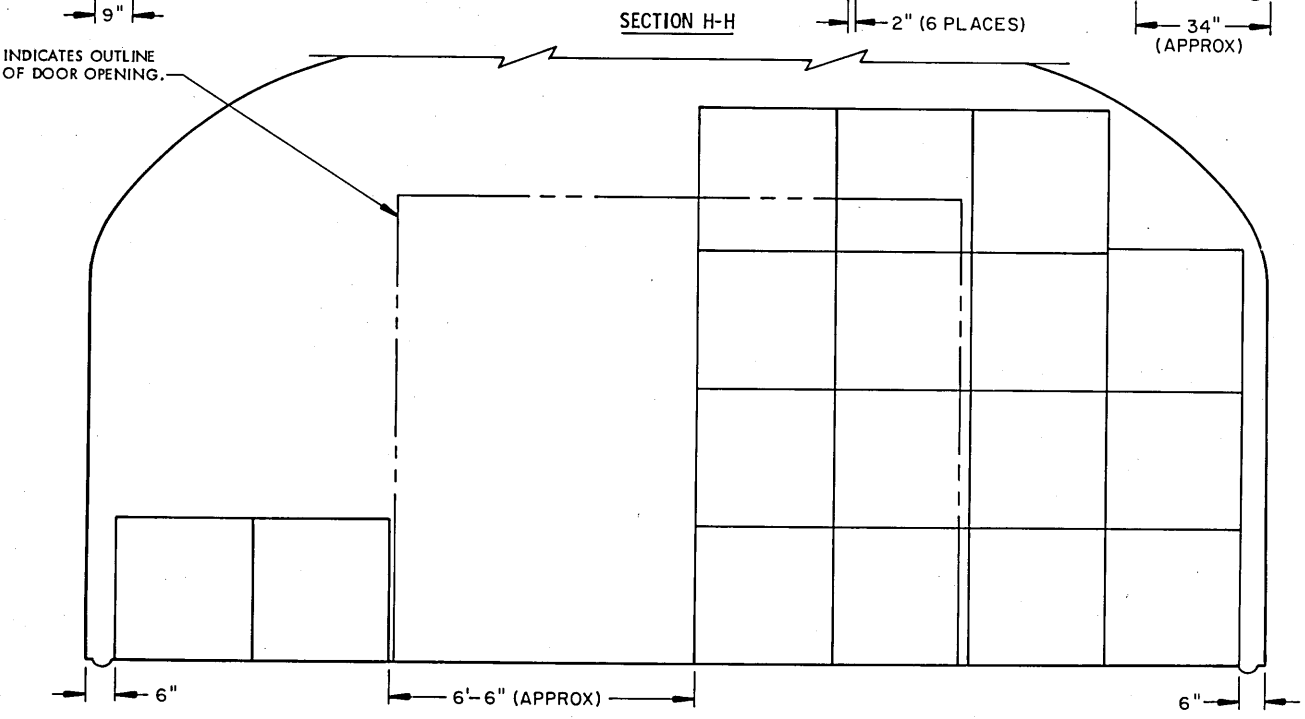
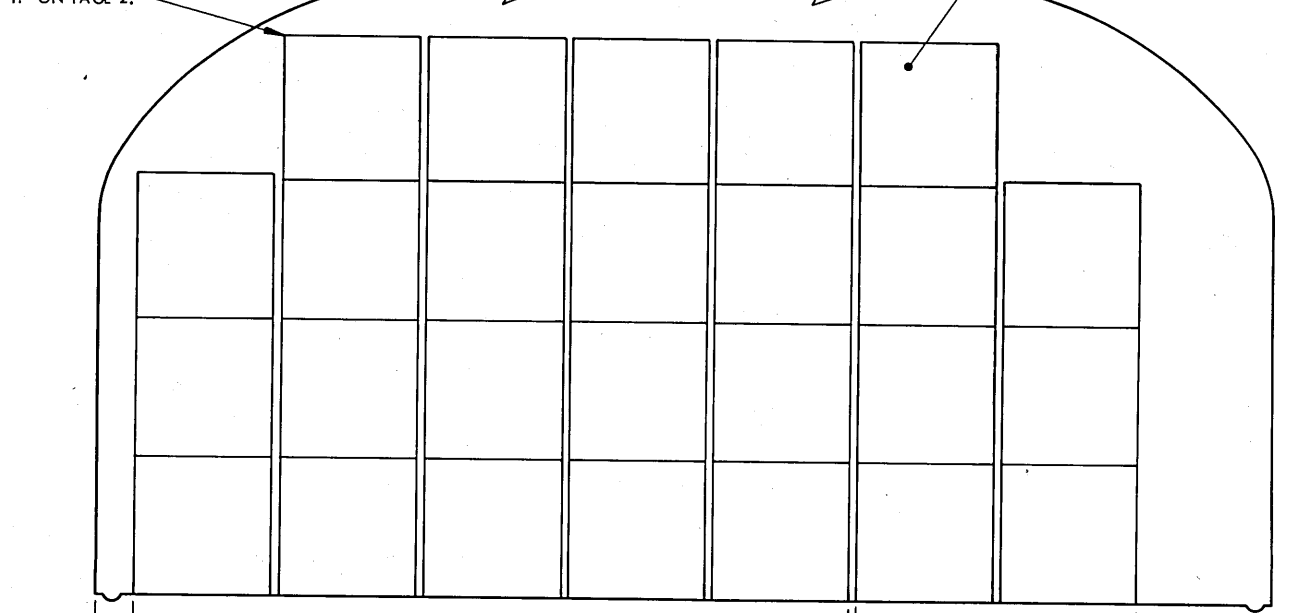
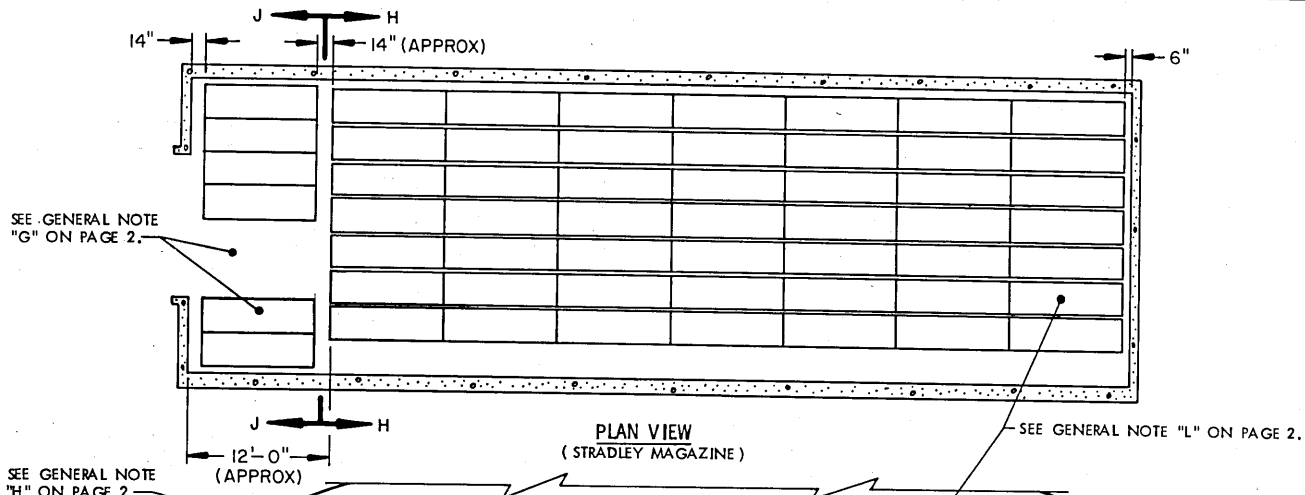
<u>ITEM</u>	<u>QUANTITY</u>
CONTAINER W/WHD -----	50



ISOMETRIC VIEW

(40' MAGAZINE)

FOR "GENERAL NOTES", SEE PAGE 2.



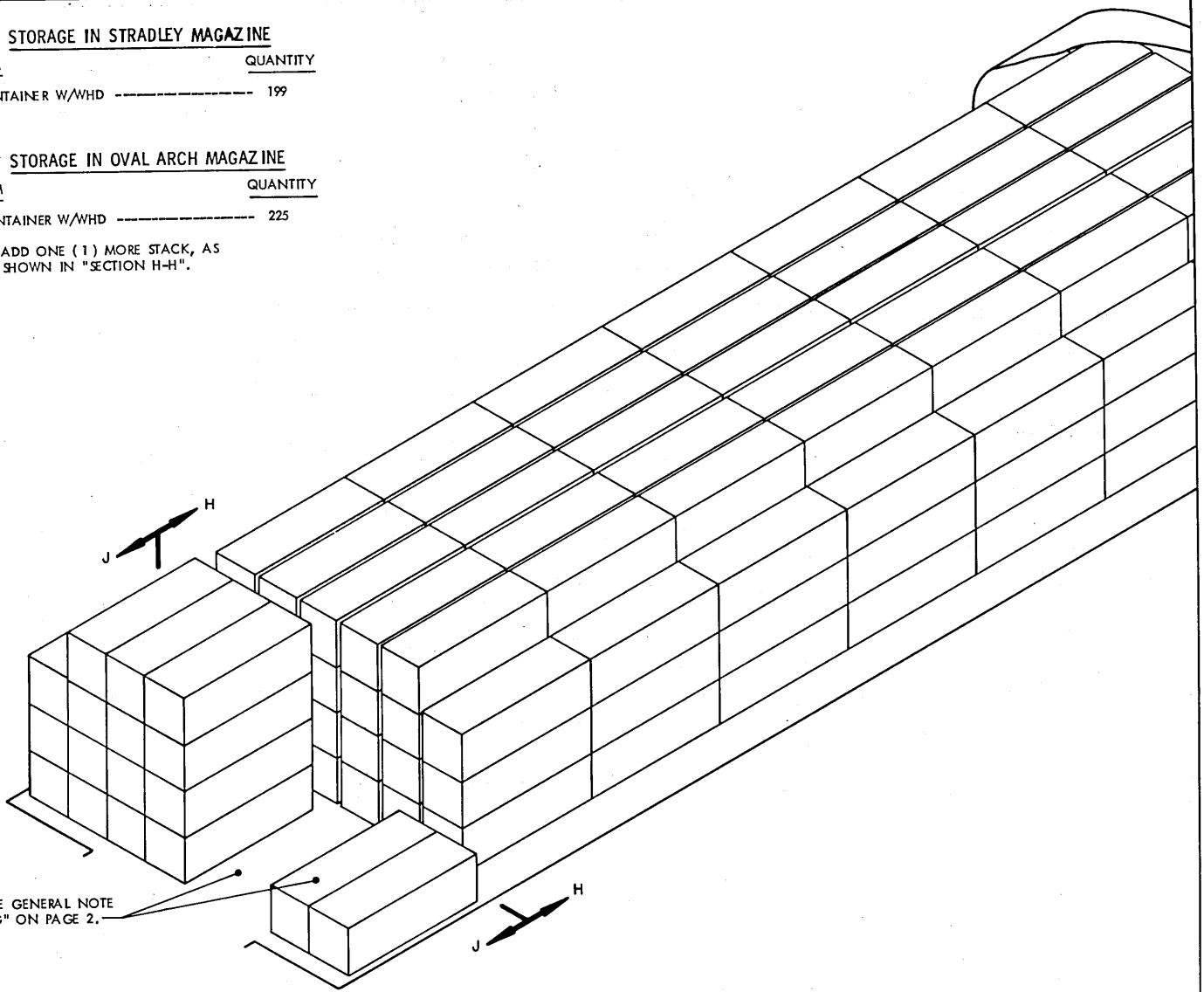
STORAGE IN STRADLEY MAGAZINE

<u>ITEM</u>	<u>QUANTITY</u>
CONTAINER W/WHD -----	199

*** STORAGE IN OVAL ARCH MAGAZINE**

<u>ITEM</u>	<u>QUANTITY</u>
CONTAINER W/WHD -----	225

* ADD ONE (1) MORE STACK, AS SHOWN IN "SECTION H-H".



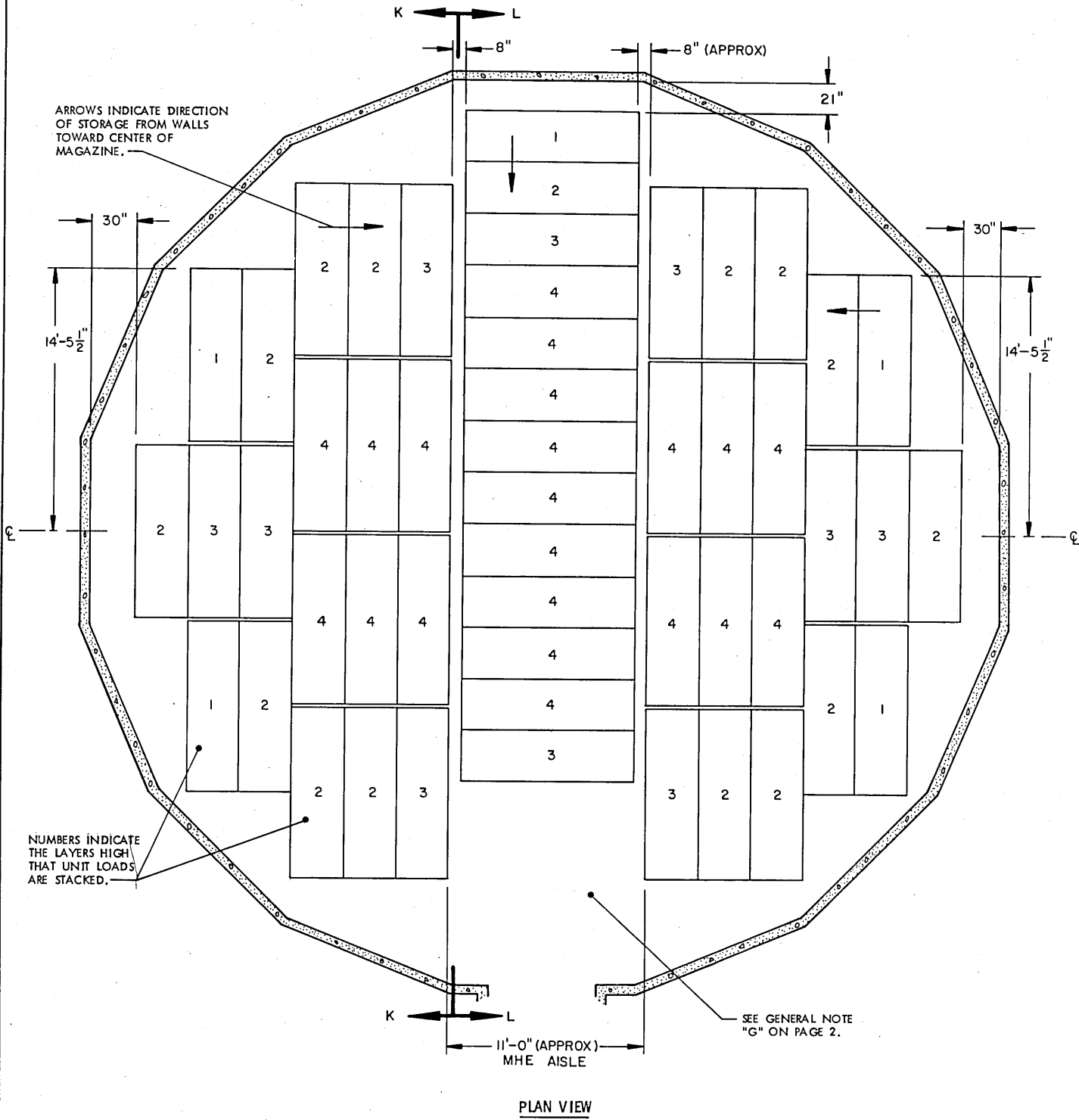
SEE GENERAL NOTE "G" ON PAGE 2.

ISOMETRIC VIEW
(STRADLEY MAGAZINE)

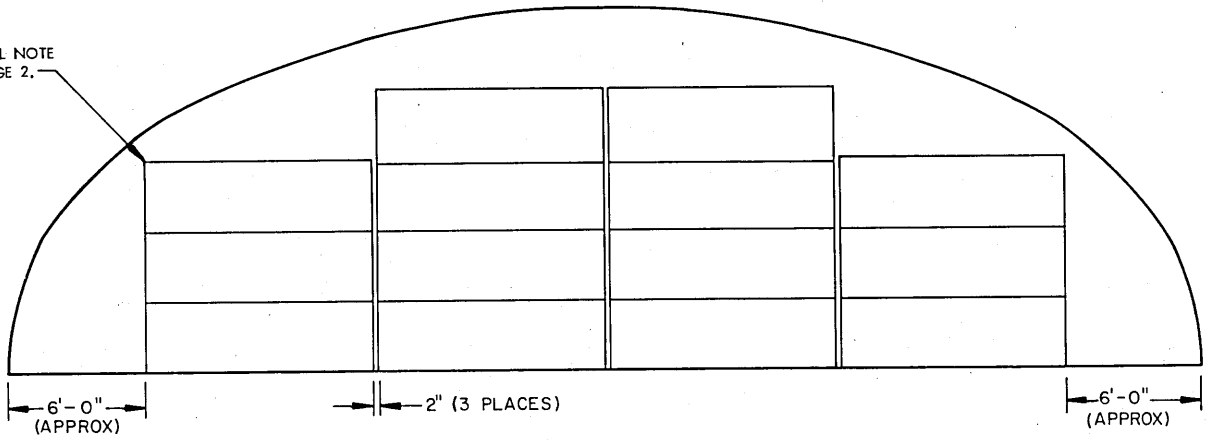
FOR "GENERAL NOTES", SEE PAGE 2.

STORAGE IN 52' DIA MAGAZINE

ITEM _____ QUANTITY _____
 CONTAINER W/WHD ----- 149

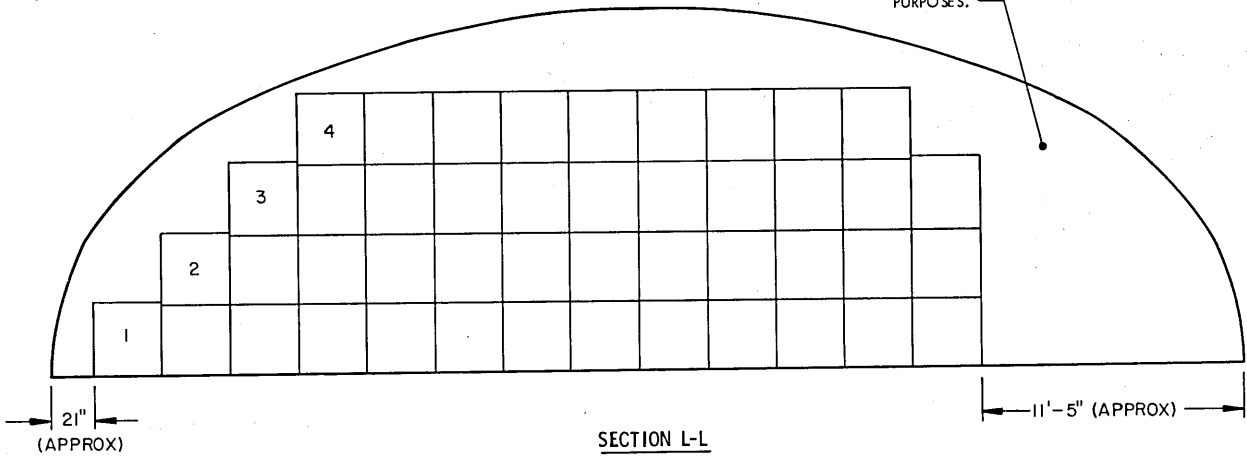


SEE GENERAL NOTE
"H" ON PAGE 2.



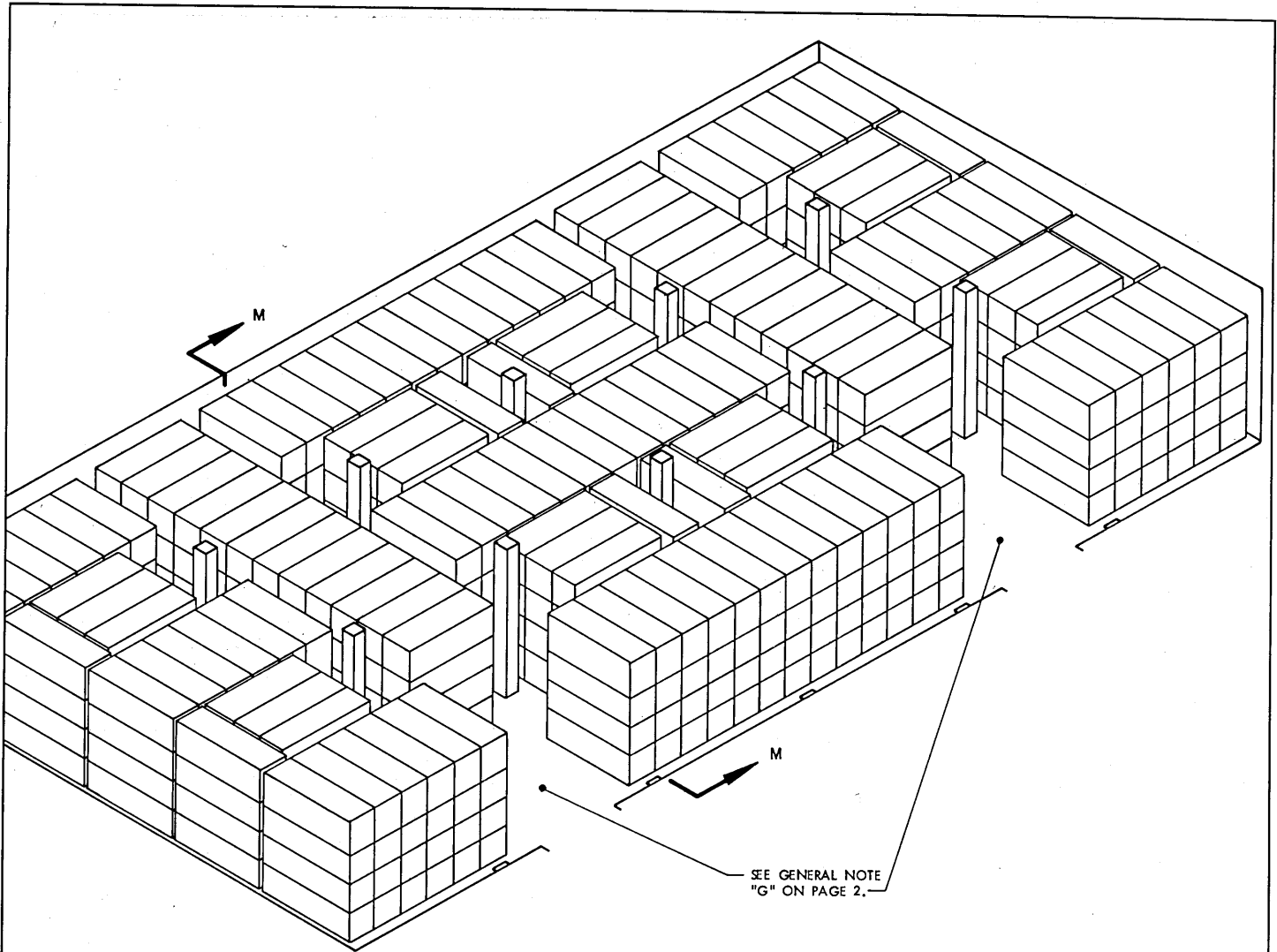
SECTION K-K

ONLY ONE ROW OF CONTAINERS IS
SHOWN IN THIS SECTION. CONTAINERS
LOCATED ADJACENT TO THE ROW HAVE
NOT BEEN SHOWN FOR CLARITY
PURPOSES.



SECTION L-L

FOR "GENERAL NOTES", SEE PAGE 2.



ISOMETRIC VIEW
 (100'-8" L X 50'-0" W MAGAZINE)

SEE GENERAL NOTE
 "G" ON PAGE 2.

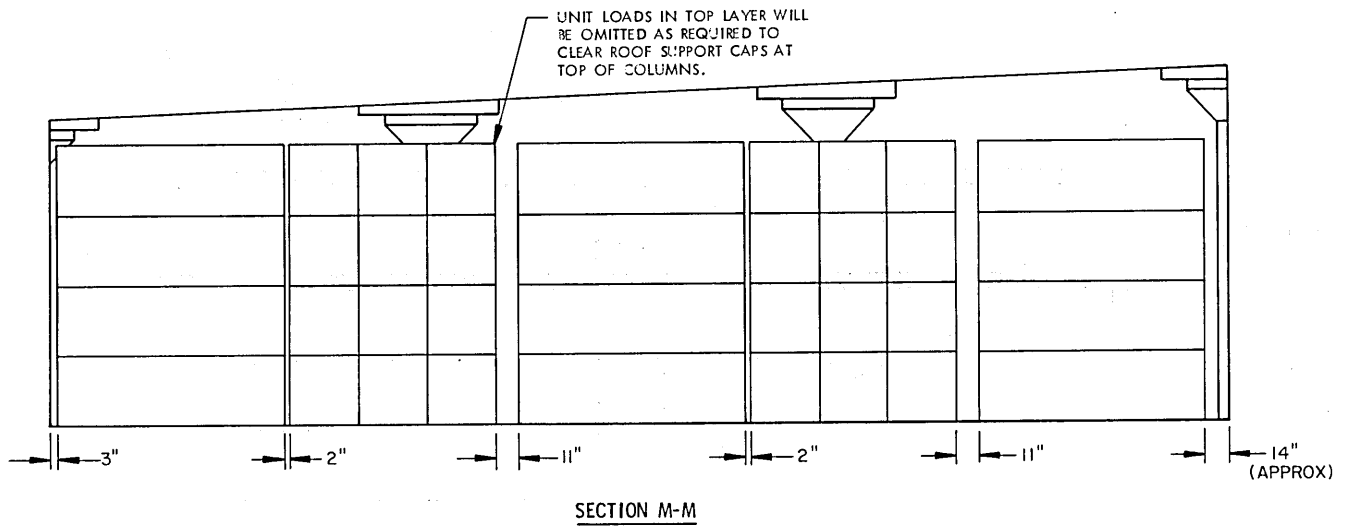
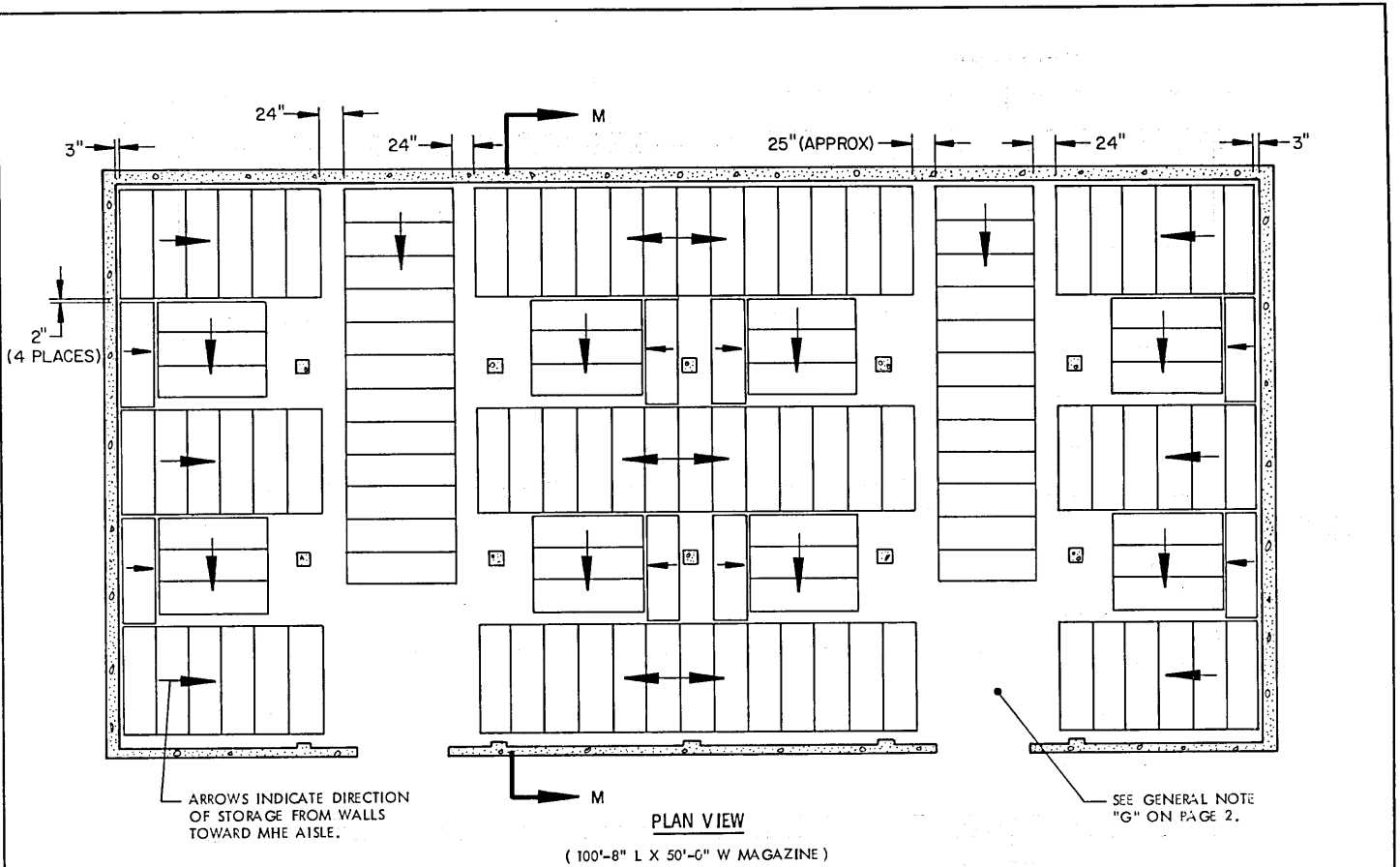
FOR "GENERAL NOTES", SEE PAGE 2.

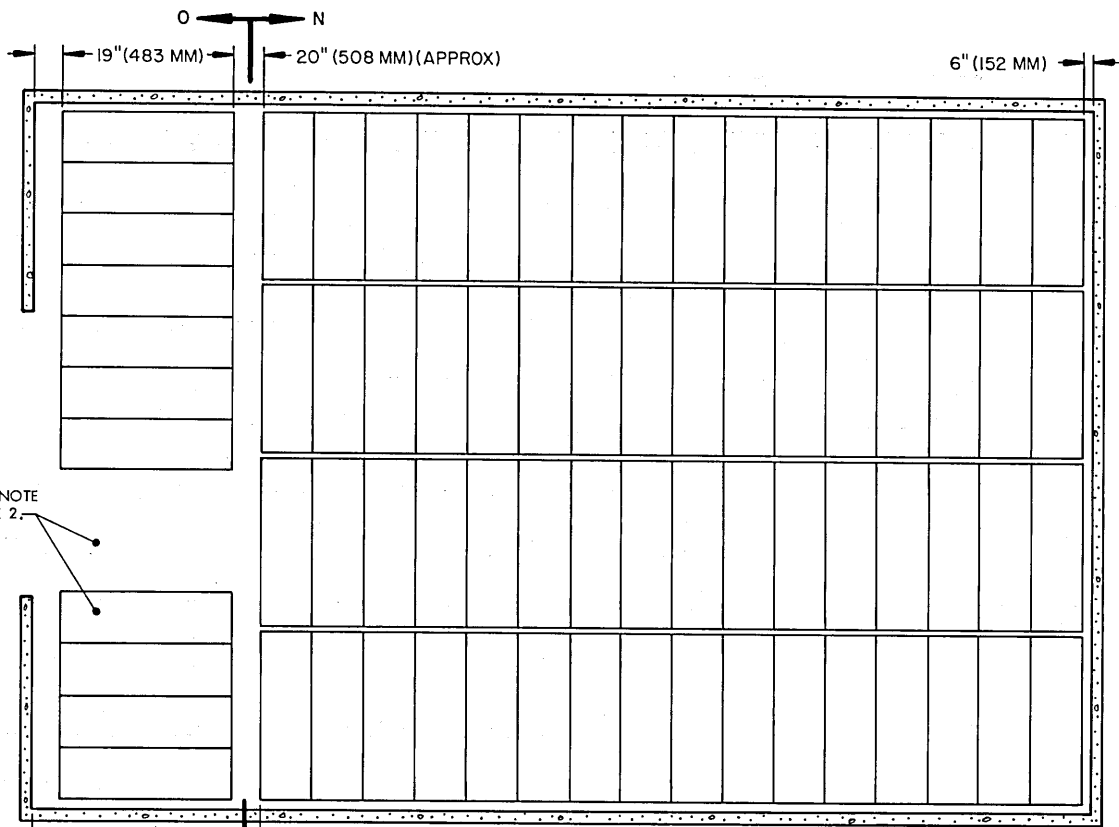
STORAGE IN 100' X 50' MAGAZINE

<u>ITEM</u>	<u>QUANTITY</u>
CONTAINER W/WHD	524

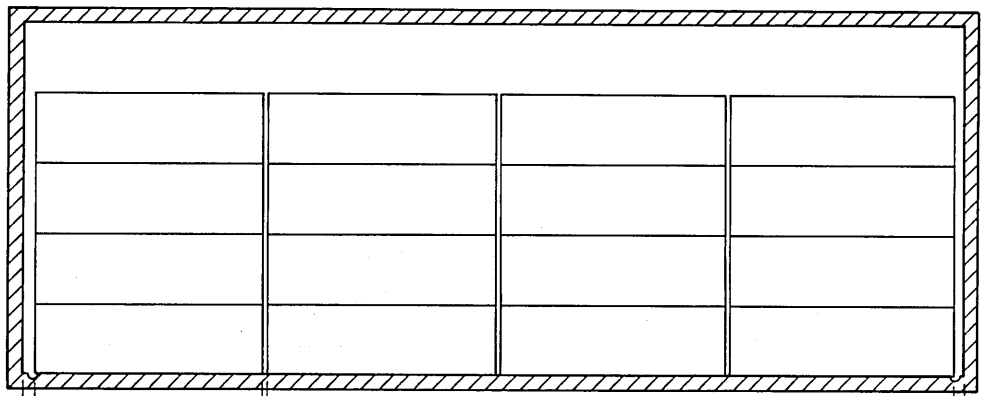
SPECIAL NOTE:

IF THE QUANTITY FOR A MAGAZINE IS TO BE REDUCED FROM WHAT IS SHOWN - DUE TO THE PERMITTED "EXPLOSIVE LIMIT" OR FOR ANY OTHER REASON, SUCH AS A LIMITED QUANTITY TO BE STORED, - THE DELINEATED PROCEDURES ARE TO BE ADJUSTED BY OMITTING STACKS RATHER THAN BY OMITTING LAYERS.



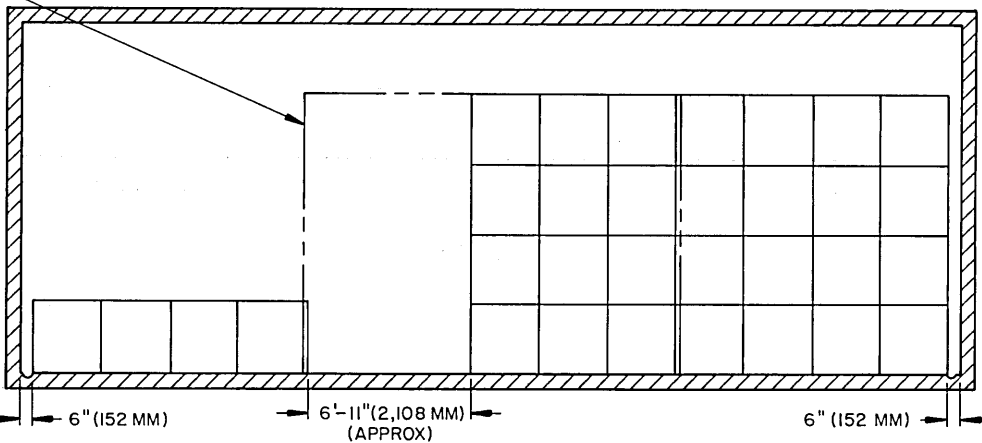


PLAN VIEW
(TYPE II BUNKER MAGAZINE)

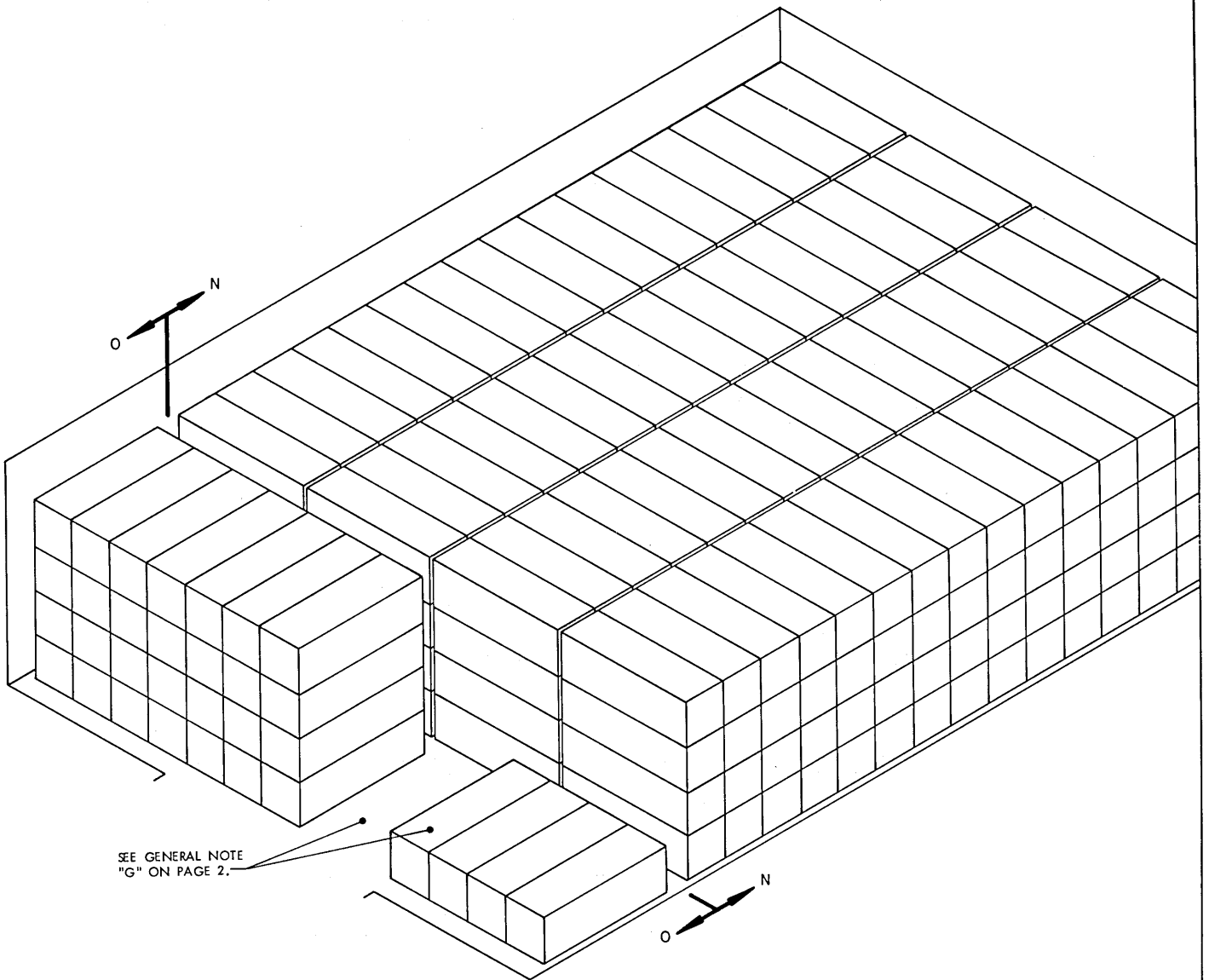


SECTION N-N

INDICATES OUTLINE OF DOOR OPENING.



SECTION O-O



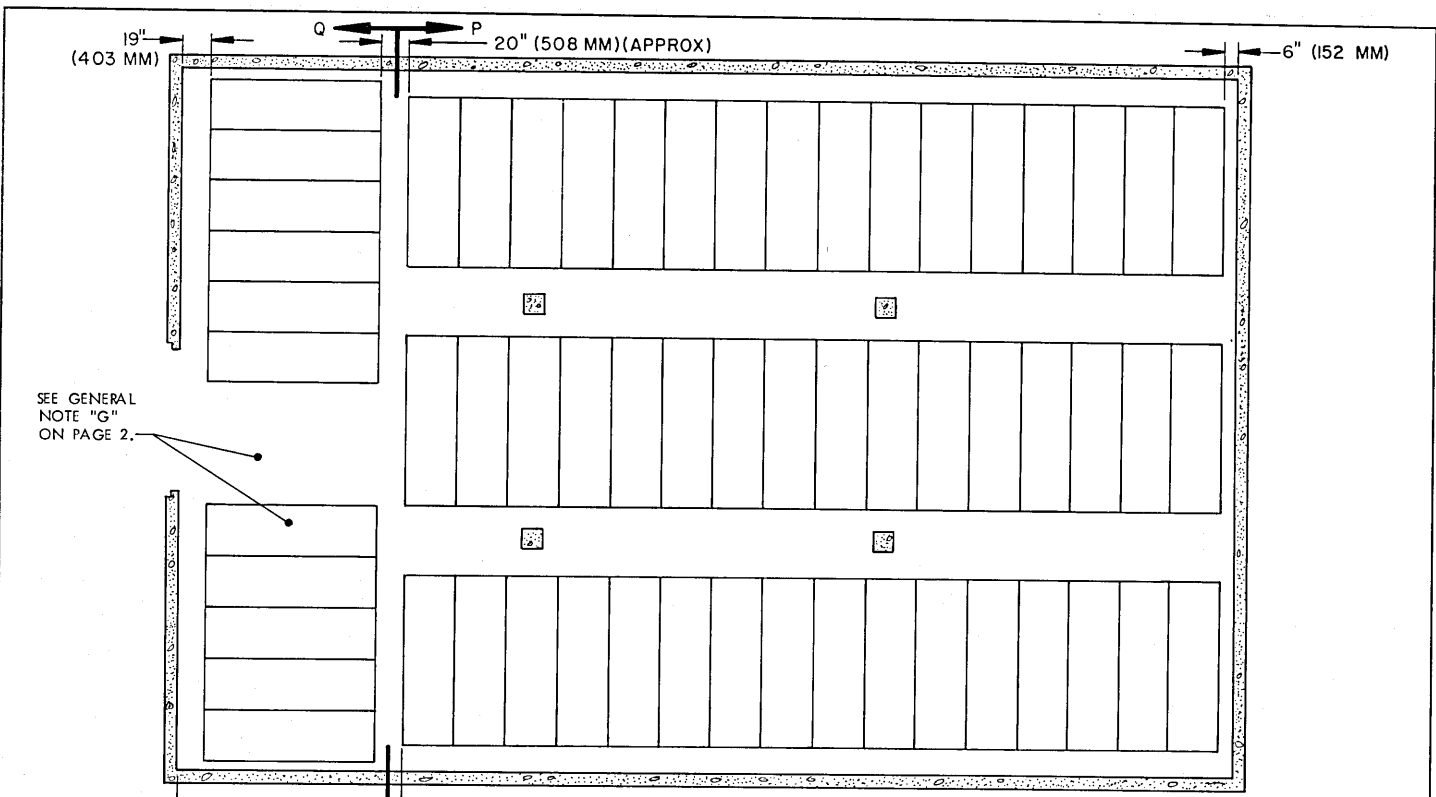
SEE GENERAL NOTE
"G" ON PAGE 2.

ISOMETRIC VIEW
(TYPE II BUNKER MAGAZINE)

FOR "GENERAL NOTES", SEE PAGE 2.

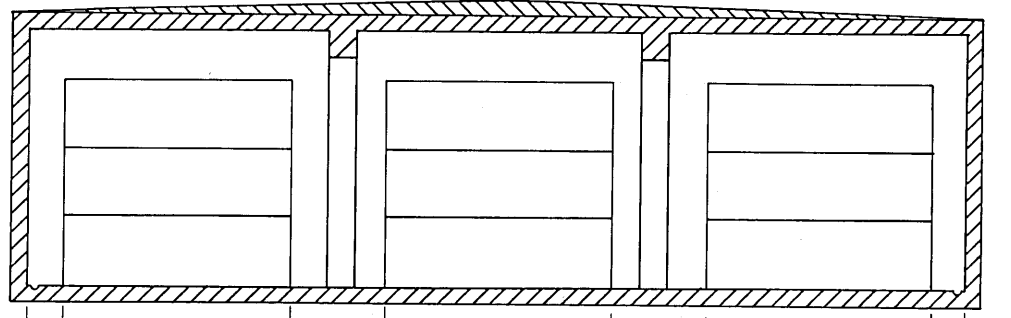
STORAGE IN TYPE II BUNKER MAGAZINE

<u>ITEM</u>	<u>QUANTITY</u>
CONTAINER W/WHD	288



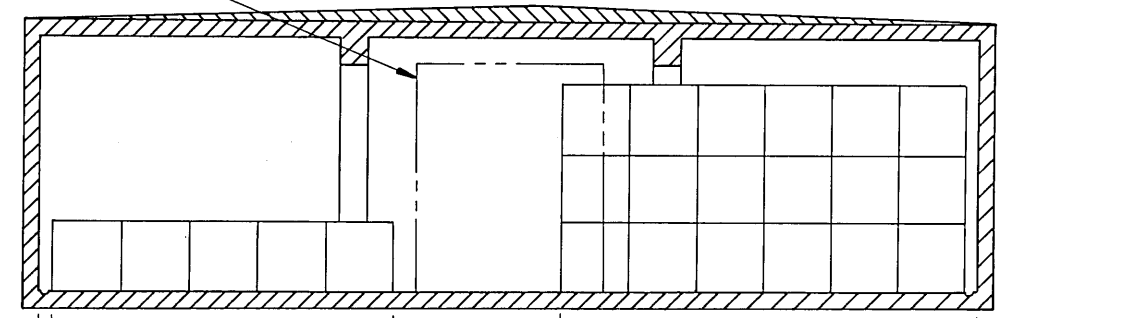
PLAN VIEW
(TYPE III BUNKER MAGAZINE)

12'-11" (3937 MM) (APPROX)

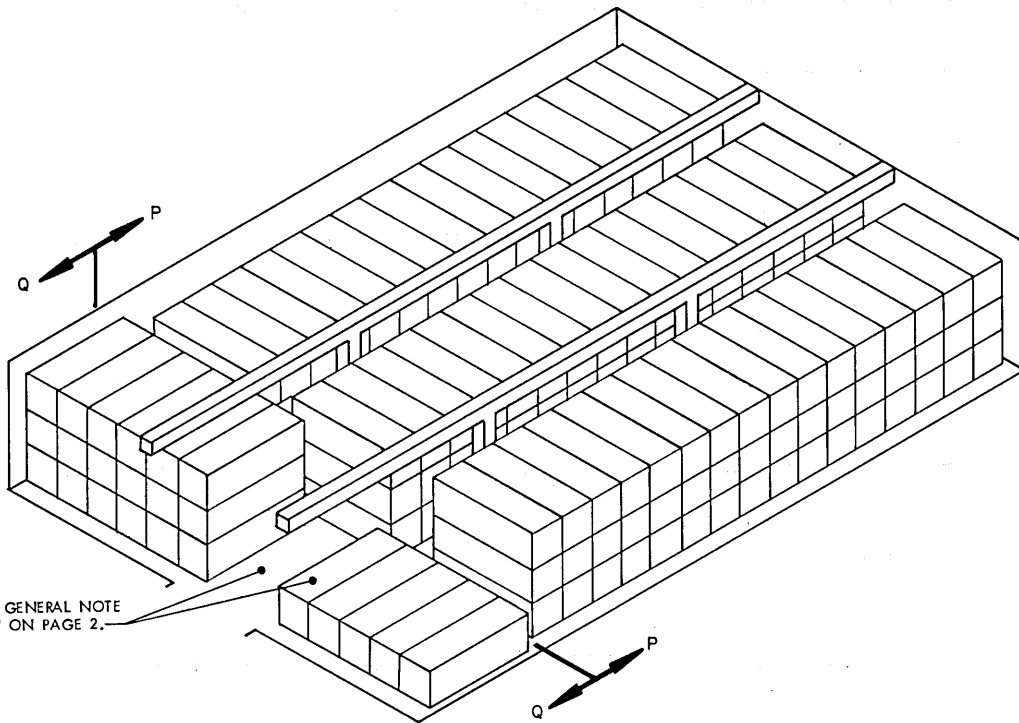


SECTION P-P

INDICATES OUTLINE OF DOOR OPENING.



SECTION Q-Q



SEE GENERAL NOTE
"G" ON PAGE 2.

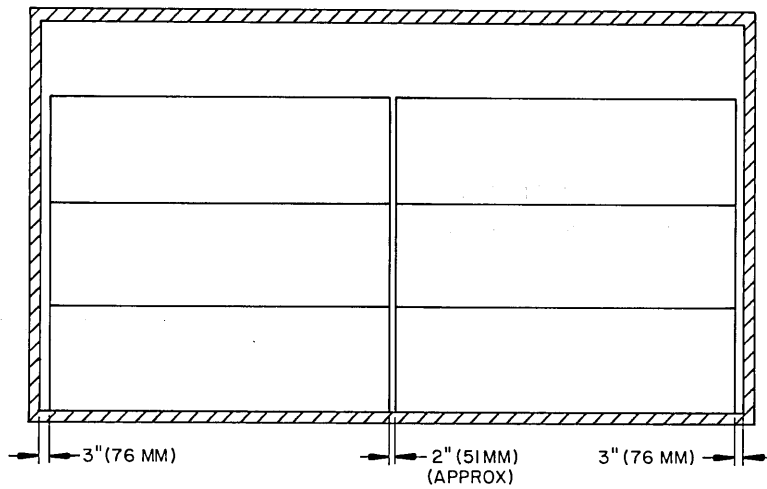
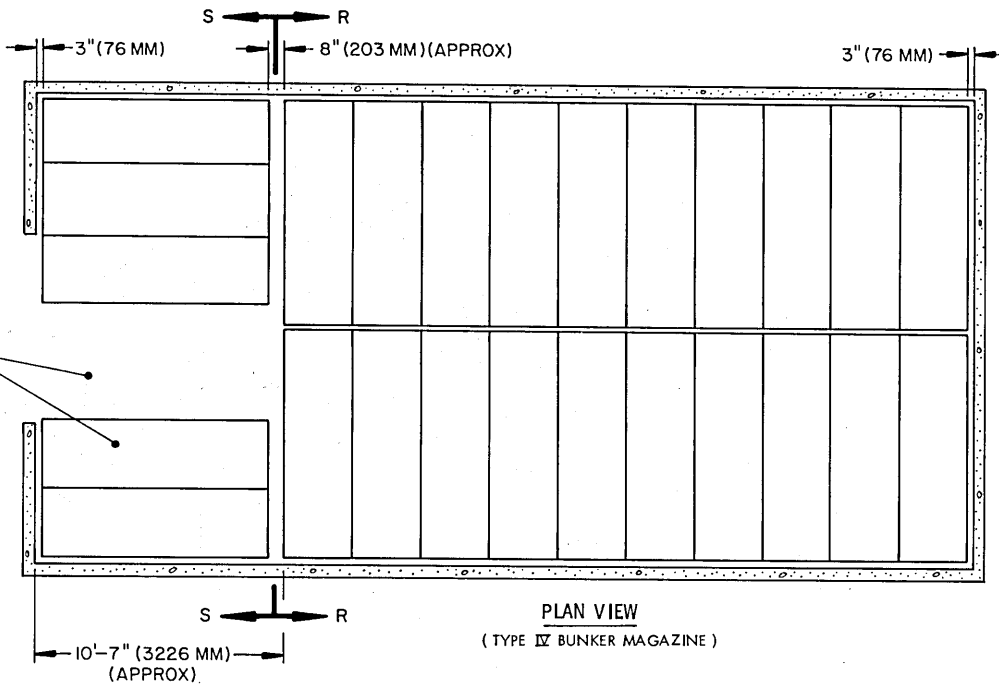
ISOMETRIC VIEW
(TYPE III BUNKER MAGAZINE)

FOR "GENERAL NOTES", SEE PAGE 2.

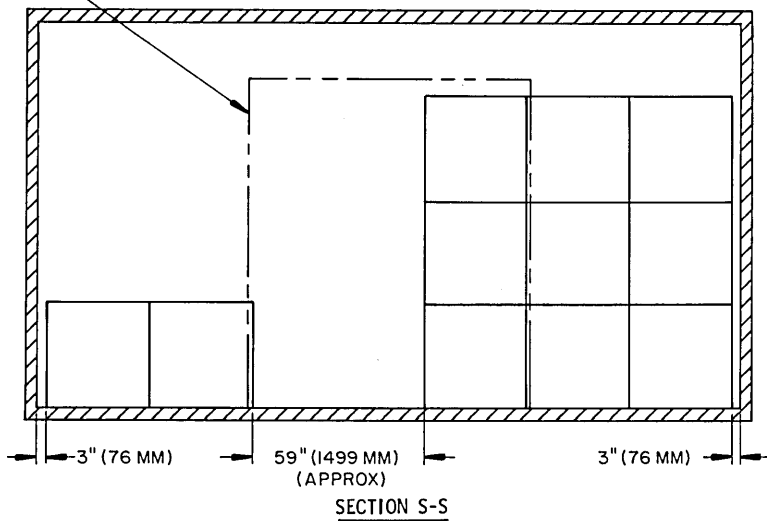
STORAGE IN TYPE III BUNKER MAGAZINE

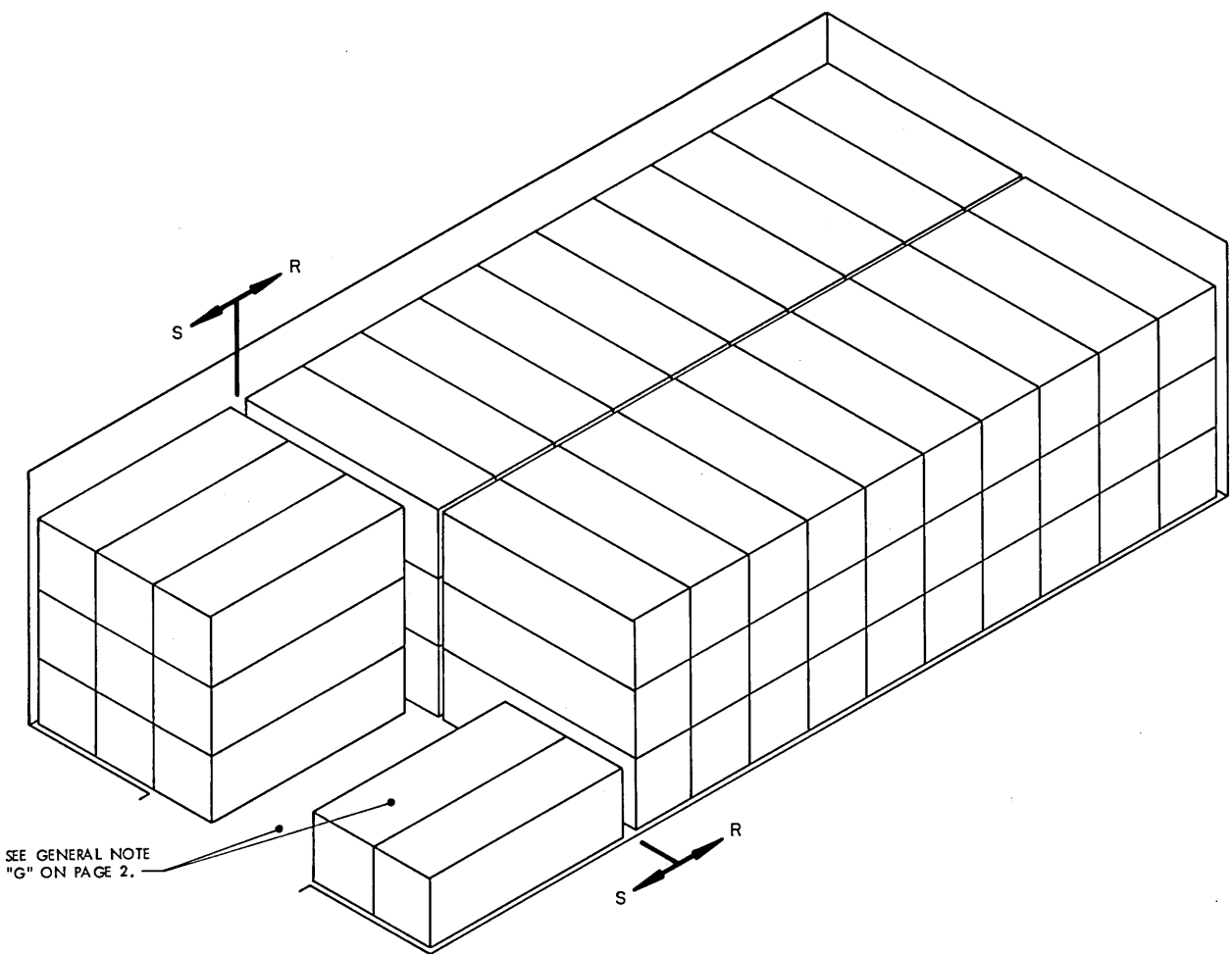
<u>ITEM</u>	<u>QUANTITY</u>
CONTAINER W/WHD	167

SEE GENERAL NOTE
"G" ON PAGE 2.



INDICATES OUTLINE
OF DOOR OPENING.





SEE GENERAL NOTE
"G" ON PAGE 2.

ISOMETRIC VIEW

FOR "GENERAL NOTES", SEE PAGE 2.

STORAGE IN TYPE IV BUNKER MAGAZINE

<u>ITEM</u>	<u>QUANTITY</u>
CONTAINER W/WHD -----	71

