

STORAGE IN 60' & 80' IGLOO AND 80' STRADLEY MAGAZINES OF CBU ITEMS PACKED IN THE CNU I23/E CONTAINER

INDEX

<u>ITEM</u>	<u>PAGE(S)</u>
GENERAL NOTES, AND MATERIAL SPECIFICATIONS-----	3
IGLOO STORAGE PROCEDURES-----	2,3
STRADLEY STORAGE PROCEDURES-----	4,5

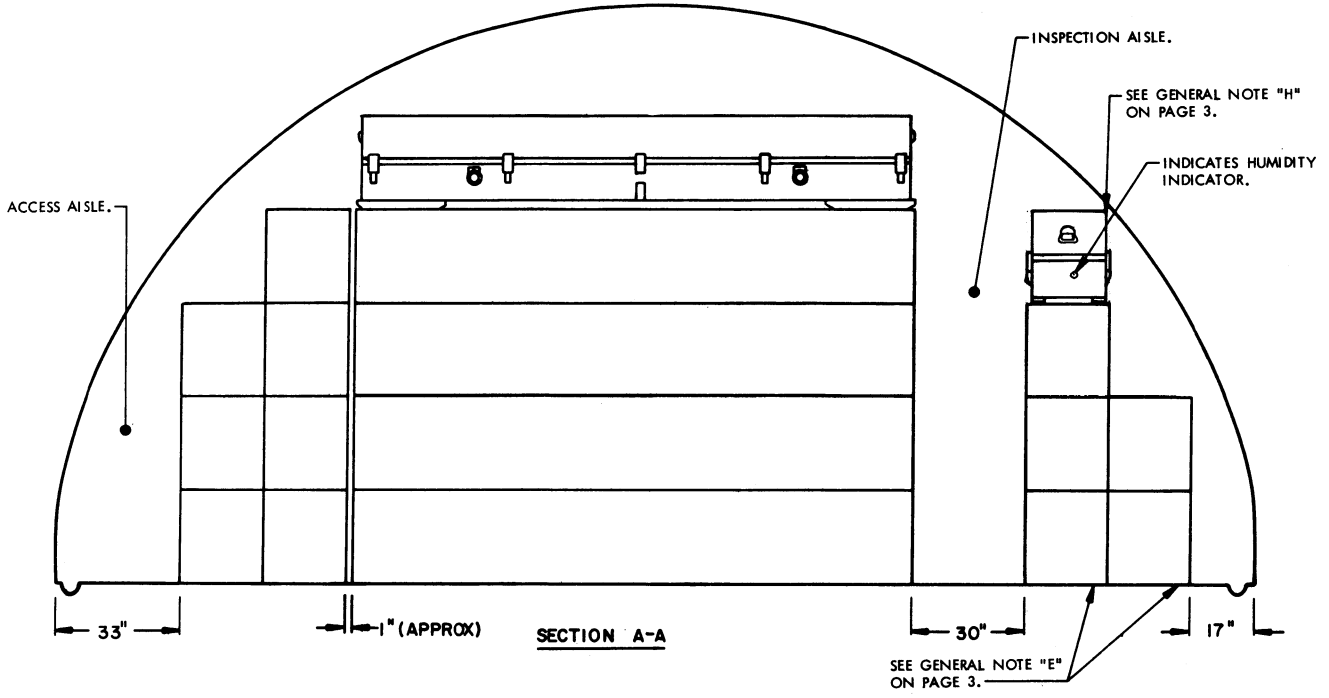
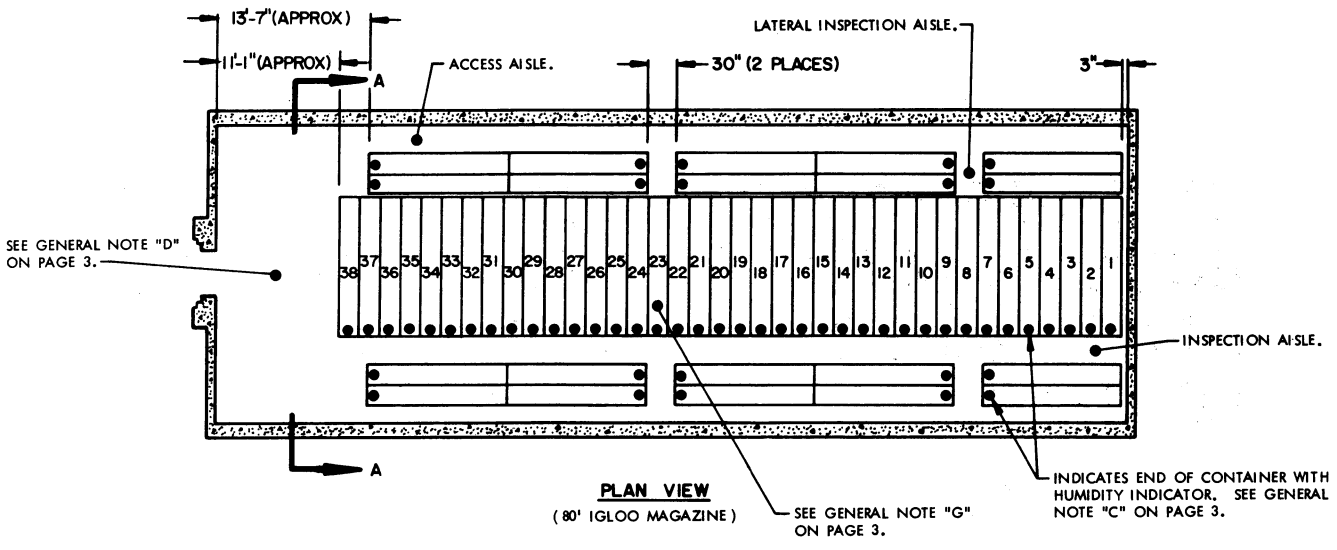
NOTE
THIS DRAWING SUPERSEDES DRAWING 19 48 4090
I-14M1001

DO NOT SCALE

<small>DRAFTSMAN</small> <i>PJB</i>	<small>PROJ ENG</small> <i>C. J. / [unclear]</i>	<small>APSA</small> <i>PJS</i>	<small>SUBMITTED</small> <i>W. S. [unclear], Col.</i>
<small>CHECKER</small> <i>GBF / RPH</i>	<small>AMC AMMO CTR</small> <i>[unclear]</i>		<small>COMMANDING OFFICER, SAVANNAH ARMY DEPOT</small>
REVISIONS			<small>EXAMINED AND APPROVED</small> <i>D. Martin</i>
			<small>AMMUNITION PROCUREMENT & SUPPLY AGENCY</small>
			<small>APPROVED BY ORDER OF COMMANDING GENERAL</small> <i>Paul [unclear]</i>
			<small>U. S. ARMY MATERIEL COMMAND</small>
			NOVEMBER 1969
			<small>CLASS DIVISION DRAWING FILE</small>
			19 48 4090 I-14M 1000

**STORAGE AS SHOWN
80' IGL00**

ITEM	QUANTITY
CNU 123/E CONTAINER	
W/ITEM	255

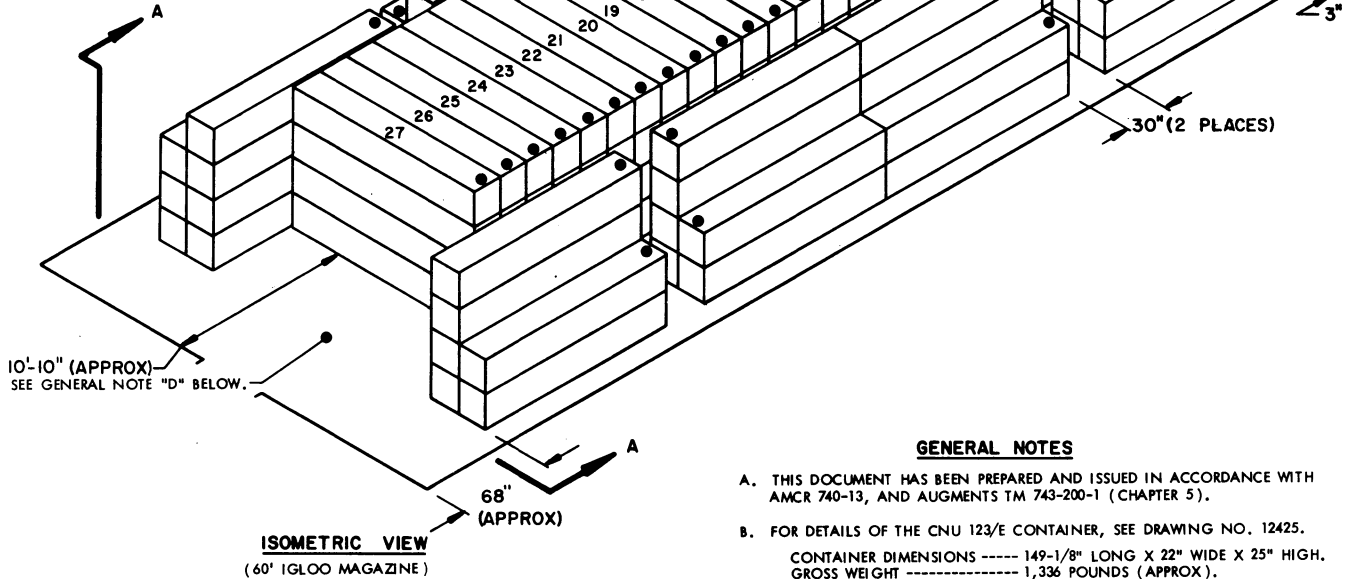


**STORAGE AS SHOWN
60' IGLOO**

ITEM	QUANTITY
CNU 123/E CONTAINER	
W/ITEM -----	160

INDICATES END OF CONTAINER WITH HUMIDITY INDICATOR. SEE GENERAL NOTE "C" BELOW.

SEE GENERAL NOTE "G" BELOW.



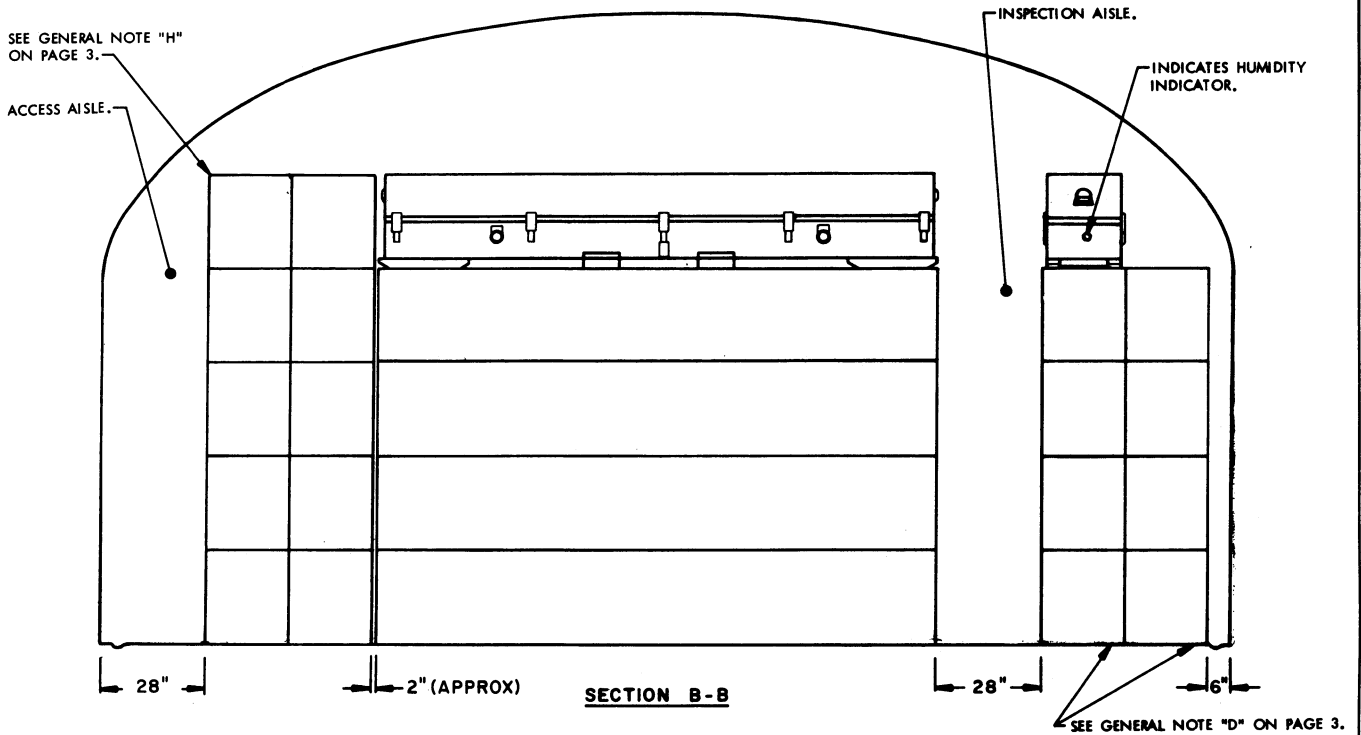
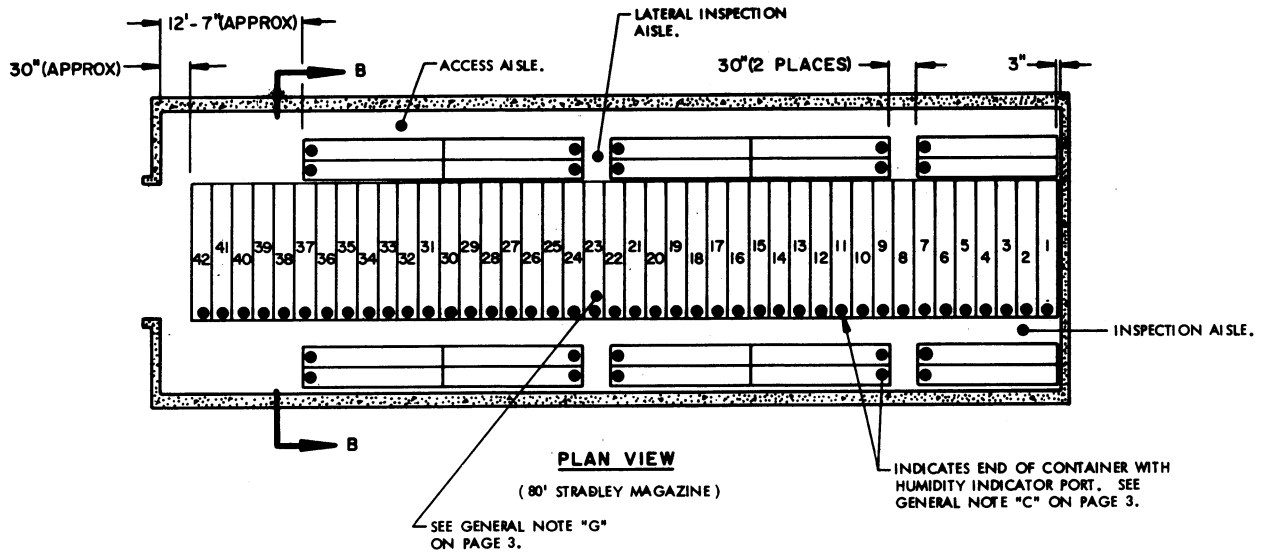
ISOMETRIC VIEW
(60' IGLOO MAGAZINE)

GENERAL NOTES

- A. THIS DOCUMENT HAS BEEN PREPARED AND ISSUED IN ACCORDANCE WITH AMCR 740-13, AND AUGMENTS TM 743-200-1 (CHAPTER 5).
- B. FOR DETAILS OF THE CNU 123/E CONTAINER, SEE DRAWING NO. 12425.
CONTAINER DIMENSIONS ----- 149-1/8" LONG X 22" WIDE X 25" HIGH.
GROSS WEIGHT ----- 1,336 POUNDS (APPROX).
- C. AISLE DIMENSIONS SHOWN HEREIN MAY BE ADJUSTED TO SUIT LOCAL CONDITIONS AND/OR AVAILABLE MATERIALS HANDLING EQUIPMENT (MHE); HOWEVER, A TWENTY-FOUR INCH (24") (MINIMUM) INSPECTION AISLE IS REQUIRED AT THE END OF THE CONTAINER EQUIPPED WITH THE HUMIDITY INDICATOR.
- D. IF THE AVAILABLE MATERIALS HANDLING EQUIPMENT PERMITS, ADDITIONAL CNU 123/E CONTAINERS MAY BE STORED WITHIN THE FRONTAL AREA OF THE MAGAZINE.
- E. AS REQUIRED TO CREATE VERTICAL STACKS, WOOD SHIMS (REF: 1/4" THICK BY SKID LENGTH) MAY BE USED UNDER THE TWO LOW SIDE SKIDS OF THE BOTTOM CONTAINER IN EACH OF THE ROWS AT THE SIDE OF A MAGAZINE.
- F. LOTS WILL NOT BE MIXED, BUT ONLY TO THE EXTENT THAT ITEMS OF ONE LOT WILL NOT BE STACKED ON TOP OF ITEMS FROM ANOTHER LOT.
- G. IF DESIRED, AN EIGHTEEN INCH (18") LATERAL AISLE MAY BE LOCATED NEAR THE MIDPOINT WITHIN THE ROW OF CROSSWISE POSITIONED CONTAINER STACKS, TO PROVIDE AN ACCESS AISLE BETWEEN OPPOSITE SIDES OF THE MAGAZINE.
- H. STORED CONTAINERS MUST NOT CONTACT THE WALL OF A MAGAZINE. TO PROVIDE FOR THIS MANDATORY CLEARANCE REQUIREMENT, CONTAINERS MAY BE ELIMINATED FROM THE DEPICTED STACKING PATTERN AS NECESSARY, OR AISLE DIMENSIONS MAY BE ADJUSTED AS PER GENERAL NOTE "C" ABOVE.

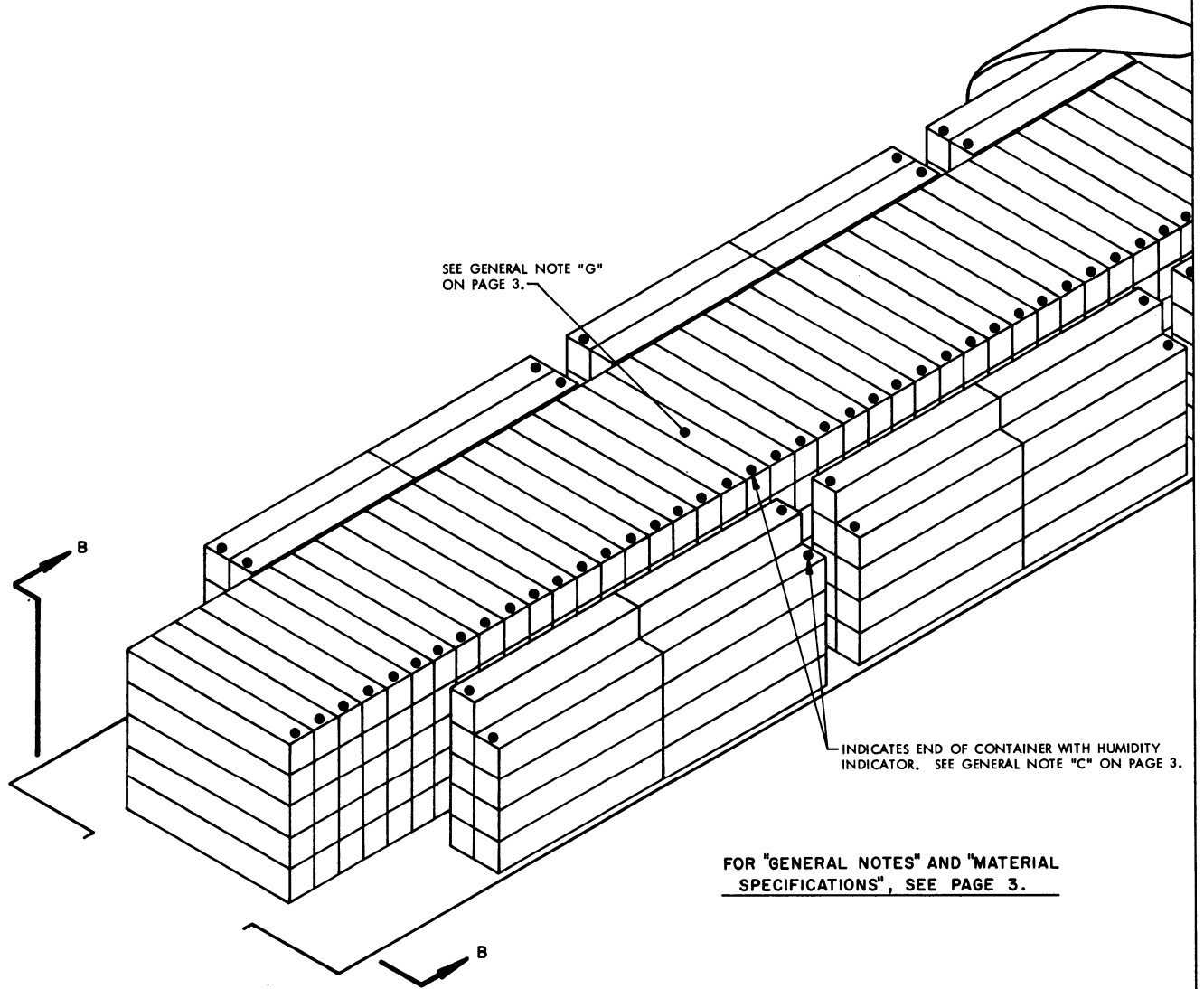
MATERIAL SPECIFICATIONS

LUMBER: SEE TM 743-200-1, DUNNAGE LUMBER;
FED SPEC MM-L-751.



STORAGE AS SHOWN
80' STRADLEY

<u>ITEM</u>	<u>QUANTITY</u>
CNU 123/E CONTAINER	
W/ITEM -----	305



ISOMETRIC VIEW
(80' STRADLEY MAGAZINE)

FOR "GENERAL NOTES" AND "MATERIAL SPECIFICATIONS", SEE PAGE 3.

