

APPENDIX 6

UNITIZATION PROCEDURES FOR BOXED WHITE PHOSPHORUS (WP) AND PLASTICIZED WHITE PHOSPHORUS (PWP) LOADED AMMUNITION ON 4 - WAY ENTRY PALLETS

CARTRIDGE, 90MM, PACKED 2 PER WOODEN BOX,
UNITIZED 18 BOXES PER 40" X 48" PALLET;
APPROX BOX SIZE $43\frac{5}{8}$ " L X $12\frac{7}{8}$ " W X $8\frac{5}{32}$ " H

PALLET UNIT DATA						
ITEMS INCLUDED		HAZARD CLASSIFICATION				WEIGHT (LBS)
NSN	DODIC	DOT CLASS	CG CLASS	OD CLASS	COMP GROUP	
1315-						
00-147-5895	C258	A	II-D	(12) 1.2	H	2,470
00-892-1593	C258	A	II-D	(12) 1.2	H	2,470
00-892-1594	C258	A	II-D	(12) 1.2	H	2,470
00-028-4421	C273	A	II-D	(12) 1.2	H	2,488
00-028-4476	C273	A	II-D	(12) 1.2	H	2,488
00-028-4480	C273	A	II-D	(12) 1.2	H	2,470
00-301-1758	C273	A	II-D	(12) 1.2	H	2,452

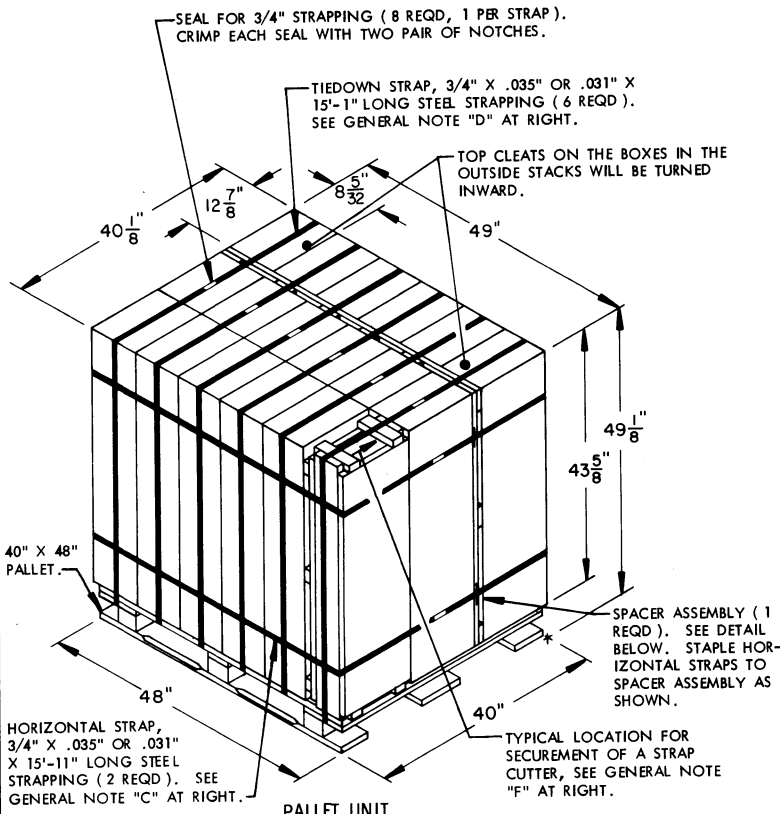
NOTICE: THIS APPENDIX CANNOT STAND ALONE BUT MUST BE USED
IN CONJUNCTION WITH THE BASIC UNITIZATION PROCEDURES
DRAWING 19-48-4015-20PA1004.

REVISIONS				DRAFTSMAN <i>Dir AC</i>	PROJ ENG <i>WRE/WRE</i>
				CHECKER <i>GRS</i>	LOG ENGRG OFFICE <i>W & Bndt</i>
				APPROVED, U. S. ARMY ARMAMENT MATERIEL READINESS COMMAND	
				<i>W. Martin</i>	<i>B. O'Brien</i>
				DRSAR-LEP	DRSAR-TRD
				APPROVED BY ORDER OF COMMANDING GENERAL, U. S. ARMY MATERIEL DEVELOPMENT AND READINESS COMMAND (DARCOM)	
				<i>John A. Reynolds</i>	
				U. S. ARMY DEFENSE AMMUNITION CENTER AND SCHOOL	
				U. S. ARMY DARCOM DRAWING	
				FEBRUARY 1983	
				CLASS	DIVISION
				DRAWING	FILE
				19	48
				4015/6	20PA 1004

DO NOT SCALE

GENERAL NOTES

- A. THIS APPENDIX CANNOT STAND ALONE BUT MUST BE USED IN CONJUNCTION WITH THE BASIC UNITIZATION PROCEDURES DRAWING 19-48-4015-20PA1004. TO PRODUCE AN APPROVED UNIT LOAD, ALL PERTINENT PROCEDURES, SPECIFICATIONS AND CRITERIA SET FORTH WITHIN THE BASIC DRAWING WILL APPLY TO THE PROCEDURES DELINEATED IN THIS APPENDIX. ANY EXCEPTIONS TO THE BASIC PROCEDURES ARE SPECIFIED IN THIS APPENDIX.
- B. DIMENSIONS, CUBE AND WEIGHT OF A PALLET UNIT WILL VARY SLIGHTLY DEPENDING UPON THE ACTUAL DIMENSIONS OF THE BOXES AND THE WEIGHT OF THE SPECIFIC ITEM BEING UNITIZED.
- C. INSTALL THE HORIZONTAL STRAPS TO ENIRCLE THE LAYER OF BOXES ON THE PALLET. HORIZONTAL STRAPS MUST BE TENSIONED AND SEALED PRIOR TO APPLICATION OF TIEDOWN STRAPS.
- D. INSTALL EACH TIEDOWN STRAP TO PASS UNDER THE TOP DECK/STRINGER BOARDS OF THE PALLET AND TO BE LOCATED AS SHOWN. TIEDOWN STRAPS WILL NOT BE APPLIED UNTIL THE HORIZONTAL STRAPS HAVE BEEN TENSIONED AND SEALED.
- E. THE FOLLOWING DARCOM DRAWINGS ARE APPLICABLE FOR OUTLOADING AND STORAGE OF THE ITEMS COVERED BY THIS APPENDIX.
 CARLOADING ----- DRAWING 19-48-4115-5PA1002
 TRUCKLOADING ----- DRAWING 19-48-4117-11PA1003
 STORAGE ----- DRAWING 19-48-4118-1-2-3-4-14-22PA1002
- F. FOR METHOD OF SECURING A STRAP CUTTER TO THE PALLET UNIT, SEE DARCOM DRAWING 19-48-4127-20P1000.
- G. IF ITEMS COVERED HEREIN ARE UNITIZED PRIOR TO ISSUANCE OF THIS APPENDIX, THE BOXES NEED NOT BE REUNITIZED SOLELY TO CONFORM TO THIS APPENDIX.
- H. THE UNITIZATION PROCEDURES DEPICTED HEREIN MAY ALSO BE USED FOR UNITIZING 90MM CARTRIDGES WHEN IDENTIFIED BY DIFFERENT NATIONAL STOCK NUMBERS (NSN) THAN WHAT IS SHOWN ON THE TITLE PAGE, PROVIDED THE BOX PACK DOES NOT VARY FROM WHAT IS DELINEATED HEREIN. THE EXPLOSIVE CLASSIFICATION OF OTHER ITEMS MAY BE DIFFERENT THAN WHAT IS SHOWN.
- J. IF THERE IS A NEED TO USE FILLER ASSEMBLIES AND AT LEAST TWO PALLET UNITS ARE BEING CONSTRUCTED, NOT MORE THAN 14 FILLERS WILL BE INSTALLED IN ANY ONE PALLET UNIT. USING TWO PALLET UNITS TO SATISFY THE PALLETIZATION CRITERIA APPLICABLE TO LESS-THAN-FULL PALLET UNITS IS AN EXCEPTION TO THE BASIC PROCEDURES. HOWEVER, THE EXCEPTION IS NECESSARY FOR THE AMMUNITION PACK COVERED BY THIS APPENDIX, TO MOST EFFECTIVELY GET AN ACCEPTABLE, COMPACT AND SOUND PALLET UNIT.



SEE GENERAL NOTE "B" AT RIGHT.

18 BOXES OF 90MM CARTRIDGES (2 PER BOX) @ 132 LBS ----- 2,376 LBS (APPROX)
 DUNNAGE ----- 32 LBS
 PALLET ----- 80 LBS

TOTAL WEIGHT ----- 2,488 LBS (APPROX)
 CUBE ----- 55.9 CU FT (APPROX)

BILL OF MATERIAL		
LUMBER	LINEAR FEET	BOARD FEET
1" X 4"	34.00	11.33
NAILS		POUNDS
6d (2")	36	0.21
PALLET, 40" X 48" -----	1 REQD -----	80 LBS
STEEL STRAPPING, 3/4" -----	122.33' REQD -----	8.74 LBS
SEAL FOR 3/4" STRAPPING -----	8 REQD -----	NIL
STAPLE, 15/16" X 3/4" -----	4 REQD -----	NIL

