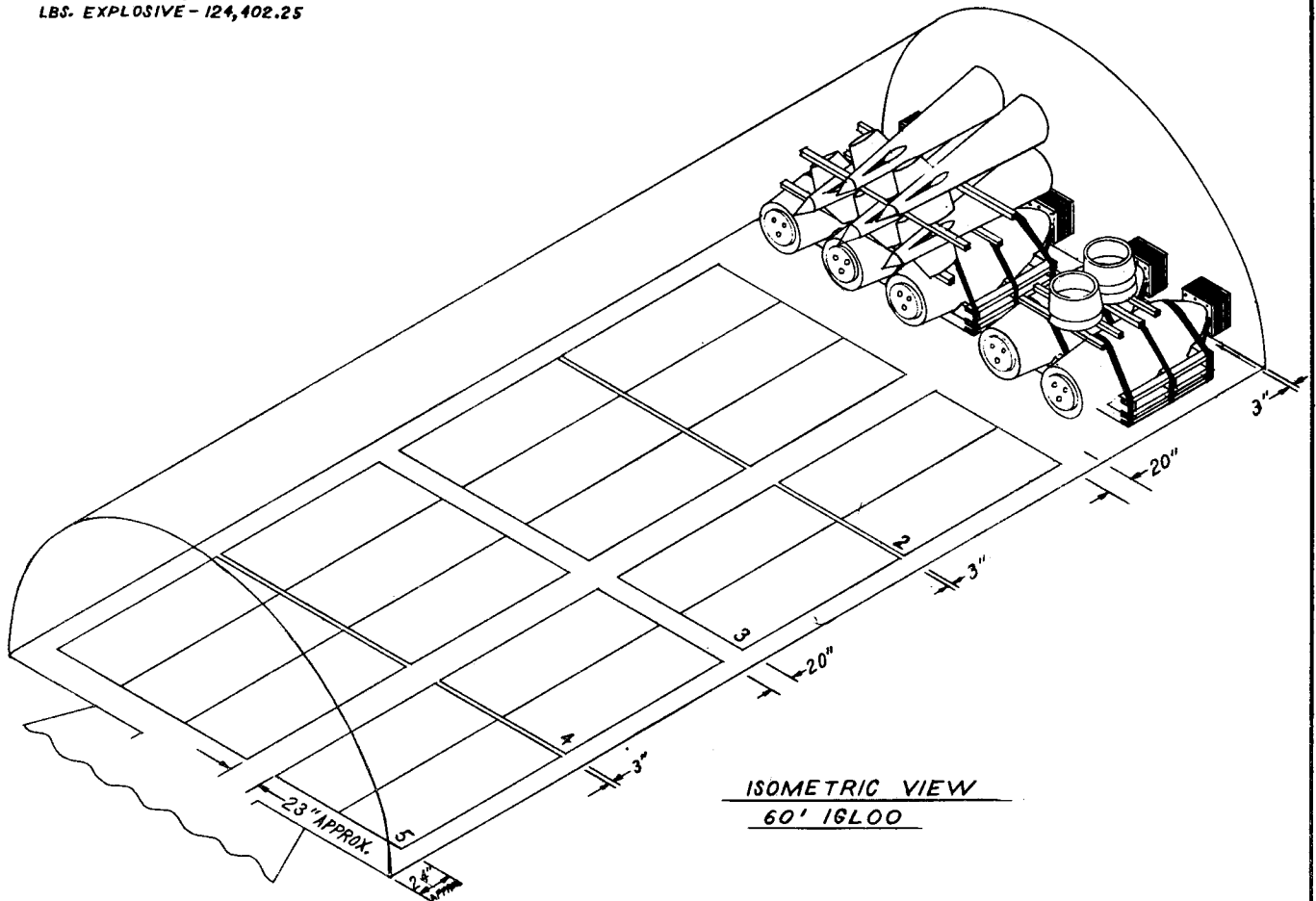


CAPACITY- 60' 16L00

5 STACKS @ 5 EACH
 TOTAL - 25
 LBS. EXPLOSIVE - 124,402.25



NOTE:
 FOR DETAILS OF BOMB SEE ORD. DWG. 82-0-200 (PB4888).
 FOR DETAILS OF SKID SEE DWGS. 76-18-29 AND 76-18-30.

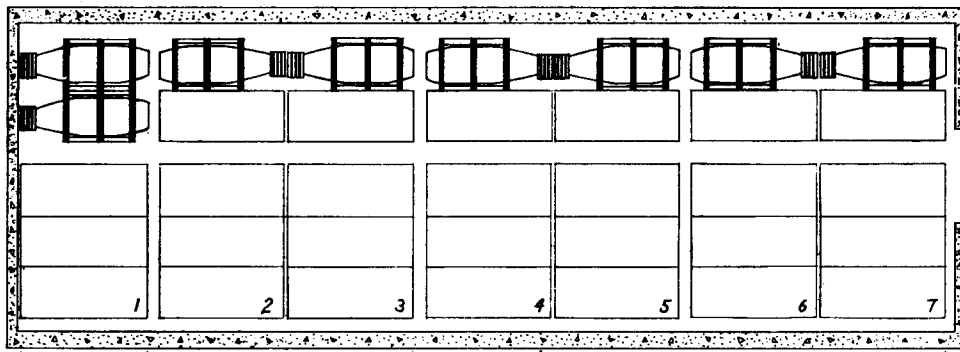
NOTE:
 BOMBS ARE STORED NOSE TO NOSE
 WITH 3" INTERVAL AND BASE TO
 BASE WITH 20" LATERAL AISLES.

STORAGE SHOWN IS FOR
SIOSA
 BOMB, GP, 12000 LB. T39E2 (M/23)
 WITH SHIPPING SKIDS.

STORAGE IN DOUBLE DOOR IGL00 MAGAZINES OF
 BOMB, GP, 12000 LB. WITH SHIPPING SKIDS

DESIGNED R.J.H.	TRACER	ENGINEER CRJ/ABC	SUBMITTED <i>L. S. ...</i>
CHECKED C.K.	ENGINEER H.P.	ENGINEER	COL., ORD. CORPS U.S.A.
REVISIONS			EXAMINED <i>John P. ...</i>
			ORD. CORPS U.S.A.
			APPROVED BY ORDER OF THE CHIEF OF ORDNANCE <i>W. ...</i>
			COL., ORD. CORPS U.S.A.
ORDNANCE CORPS U.S.A.			
24 AUGUST 1953			
CLASS	DIVISION	DRAWING	FILE
19	48	3362	1B538

DO NOT SCALE



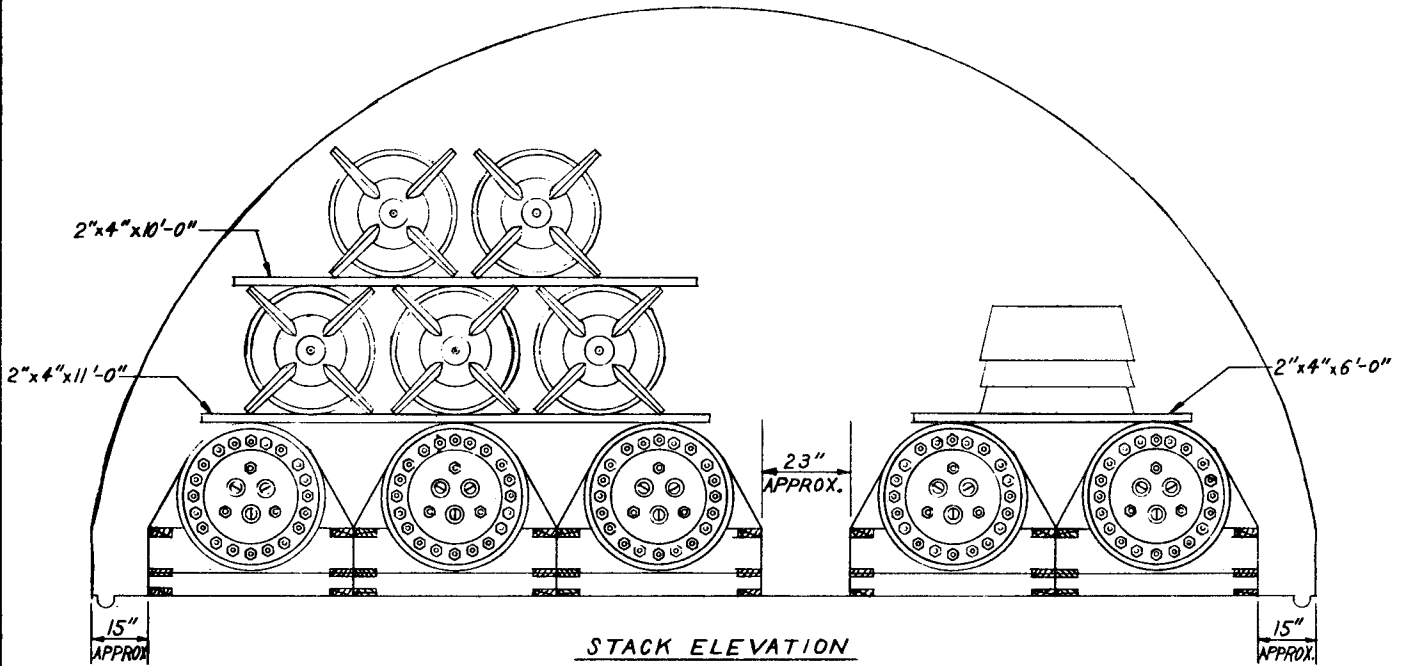
CAPACITY-80' 16L00
 7 STACKS • 5 EACH
 TOTAL - 35
 LBS. EXPLOSIVE-174,163.15

2" 12" 2" 12" 2" 12" 2" 11" APPROX.

FLOOR PLAN - 80' 16L00

NOTE:

BOMBS ARE STORED NOSE TO NOSE
 WITH 2" INTERVAL, AND BASE TO
 BASE WITH 12" LATERAL AISLES.



STACK ELEVATION

BILL OF MATERIALS PER STACK			
LUMBER			
MATERIAL	NO. REQ'D	LINEAL FT.	BOARD FT.
2" x 4" x 11'-0"	2	22	14.6
2" x 4" x 10'-0"	2	20	13.3
2" x 4" x 6'-0"	4	24	16
TOTALS		66	44

MATERIAL SPECIFICATIONS
 LUMBER. SEE PARAGRAPH 3300, ORDM 3-4
 DATED 1 AUGUST 1950.