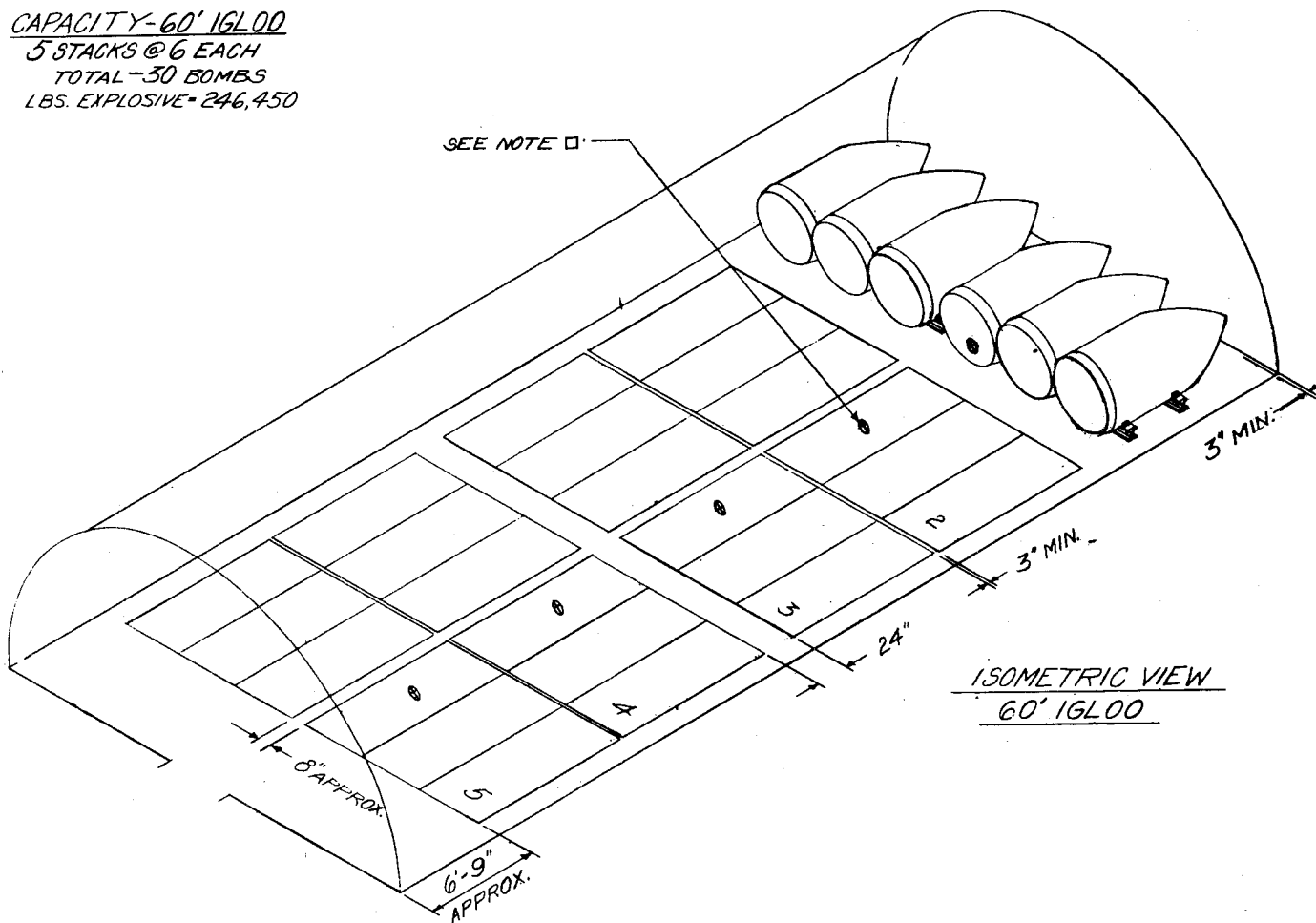


CAPACITY-60' IGL00
 5 STACKS @ 6 EACH
 TOTAL-30 BOMBS
 LBS. EXPLOSIVE-246,450



ISOMETRIC VIEW
 60' IGL00

NOTE-□:
 BOMBS MARKED ⊕ WILL REMAIN ON CONVEYOR
 (SEE STACK ELEVATION)

NOTE:
 FOR DETAILS OF BOMB SEE DWG. P-82984
 BOMB SIZE-118" L. X 4 6 1/2" DIAM.

SPECIAL NOTE:
 STORAGE FOR 80' MAGAZINE SHOWN HEREON EXCEEDS
 250,000 LBS EXPLOSIVE LIMIT AND WILL BE APPLIED
 ONLY ON SPECIFIC AUTHORITY FROM OFFICE, CHIEF OF
 ORDNANCE. FOR STORAGE IN 80' MAGAZINES WITH
 250,000 EXPLOSIVE LIMIT, 12 BOMBS MUST BE OMITTED.

STORAGE SHOWN IS FOR

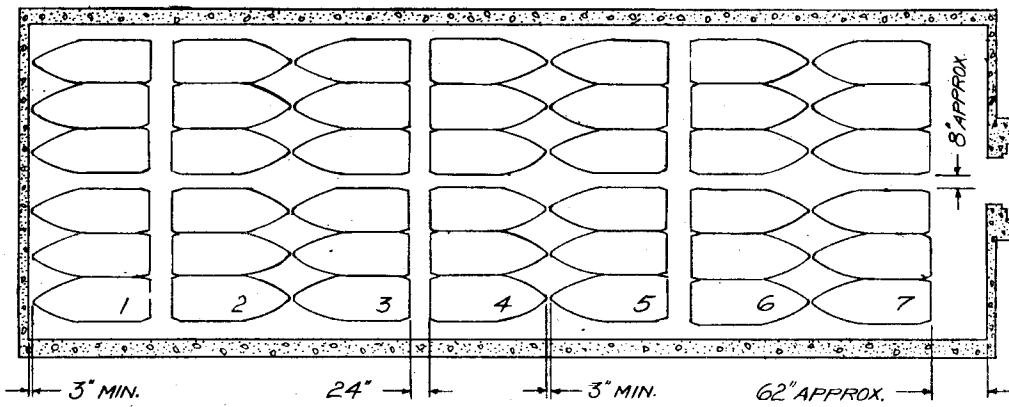
BOMB, 10,000 LB, T56E4, W/O PALLET
 EXPLOSIVE PER BOMB 8215 LBS.

BILL OF MATERIALS							
STEEL DUNNAGE PER STACK							
PC.	NO ASSY.	LENGTH	NO FT. 5" I BEAMS	NO FT. NO. ROD NUTS	BOMB STOP		
					1 1/2" x 1 1/2" x 2" STEEL BAR	5 x 1 1/2" x 1 1/2" STEEL BAR	
A	1	10'-2"	20'-4"	8'-4"	8	4	4
B	1	6'-4"	12'-8"	8'-4"	8	4	4
BOMB DOLLY							
3" I BEAM			1 1/2" x 1 1/2" x 15 1/2" STEEL BAR				
	NO.	FT.		NO.	FT.		
	2	10		4	5'-2		

DO NOT SCALE

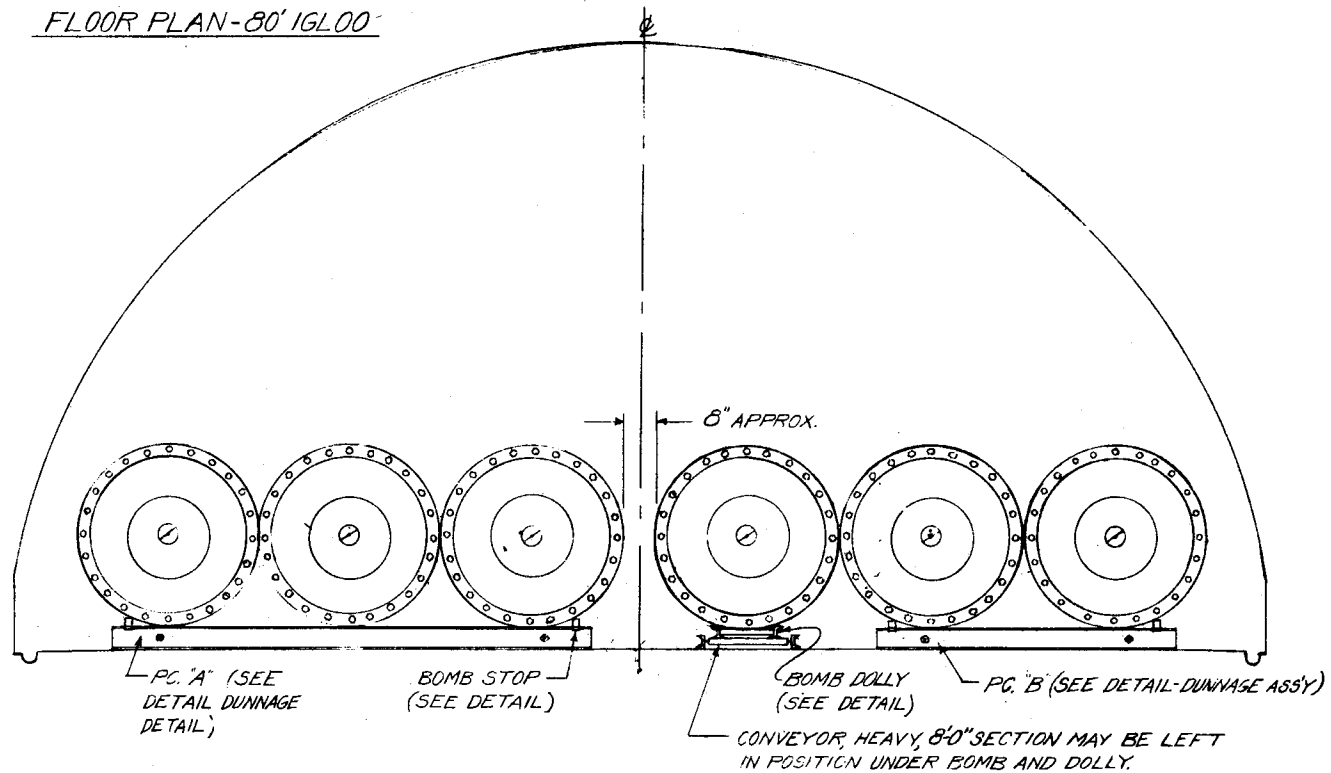
STORAGE IN IGL00 MAGAZINES OF BOMB, 10,000 LB, T56E4, W/O PALLET.			
DRAWN RAG	TRACER	ENGINEER CRJ/ABC	SUBMITTED
CHECKER J.D.B.	CHECKER hip P.K.	ENGINEER	<i>John P. Desch...</i> COL. ORN CORPS U.S.A.
REVISIONS			EXAMINED
			<i>John P. Desch...</i> COL. ORN CORPS U.S.A.
			APPROVED BY ORDER OF THE CHIEF OF ORDNANCE
			<i>W. G. ...</i> COL. ORN CORPS U.S.A.
ORDNANCE CORPS U.S.A.			
25 August 1953			
CLASS	DIVISION	DRAWING	FILE
19	48	3361	1B537

ALTERNATE TO METHOD SHOWN ON DWG.

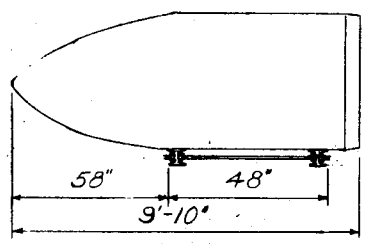


CAPACITY-80'160'
 7 STACKS @ 6 EACH
 TOTAL -42 BOMBS
 LBS. EXPLOSIVE-345,030.

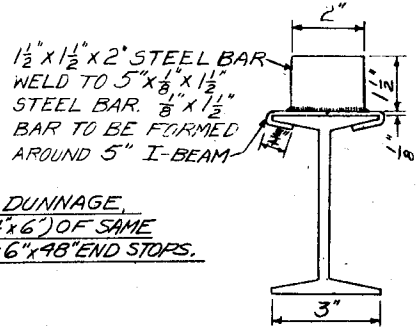
FLOOR PLAN-80'160'



STACK ELEVATION
 (6 BOMBS)

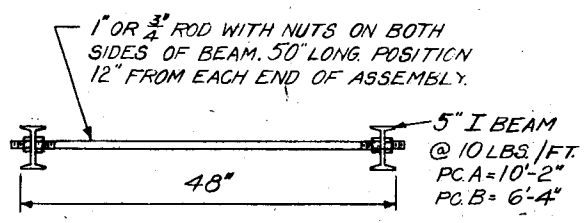


DETAIL-SHOWING PLACEMENT OF BOMB ON DUNNAGE

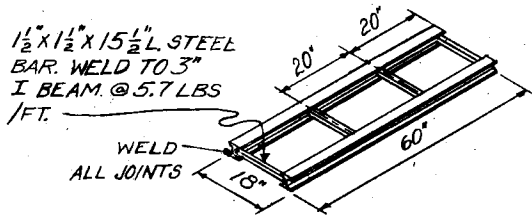


DETAIL-BOMB STOP

NOTE:
 ALTERNATE DUNNAGE,
 HARD WOOD (4x6) OF SAME
 LENGTH W/2\"/>



DETAIL-DUNNAGE ASSEMBLY
 SEE NOTE ABOVE



DETAIL-BOMB DOLLY